



US00D778961S

(12) **United States Design Patent**  
**Foster**

(10) **Patent No.:** **US D778,961 S**

(45) **Date of Patent:** **\*\* Feb. 14, 2017**

- (54) **CONTROL ARM PAD**
- (71) Applicant: **RF Products, Inc.**, Batesville, AR (US)
- (72) Inventor: **Robert N Foster**, Batesville, AR (US)
- (\*\*) Term: **15 Years**
- (21) Appl. No.: **29/543,529**
- (22) Filed: **Oct. 26, 2015**
- (51) **LOC (10) Cl.** ..... **15-03**
- (52) **U.S. Cl.**  
USPC ..... **D15/17; D15/28**
- (58) **Field of Classification Search**  
USPC ..... D15/15, 18, 30, 28, 17, 22-26; D6/356;  
D21/828, 829; D34/35; 180/271, 275,  
180/272, 268; 280/748, 753, 751;  
297/488, 487  
CPC ..... A01D 34/821; Y10T 74/2078; Y10T  
74/20732; Y10T 74/20738  
See application file for complete search history.

- D541,824 S \* 5/2007 Yanagida ..... D15/28
- D555,047 S \* 11/2007 Colbert ..... D12/119
- D588,613 S \* 3/2009 Schroeder ..... D15/17
- 8,528,444 B1 \* 9/2013 Gubin ..... A01D 34/824  
248/230.1
- D727,366 S \* 4/2015 Furuki ..... D15/28
- D728,634 S \* 5/2015 Alpsten ..... D15/28
- D761,880 S \* 7/2016 Furuki ..... D15/25

\* cited by examiner

*Primary Examiner* — Mark Goodwin

(74) *Attorney, Agent, or Firm* — Joe D. Calhoun

(57) **CLAIM**

I claim the ornamental design for a control arm pads, as shown and described.

**DESCRIPTION**

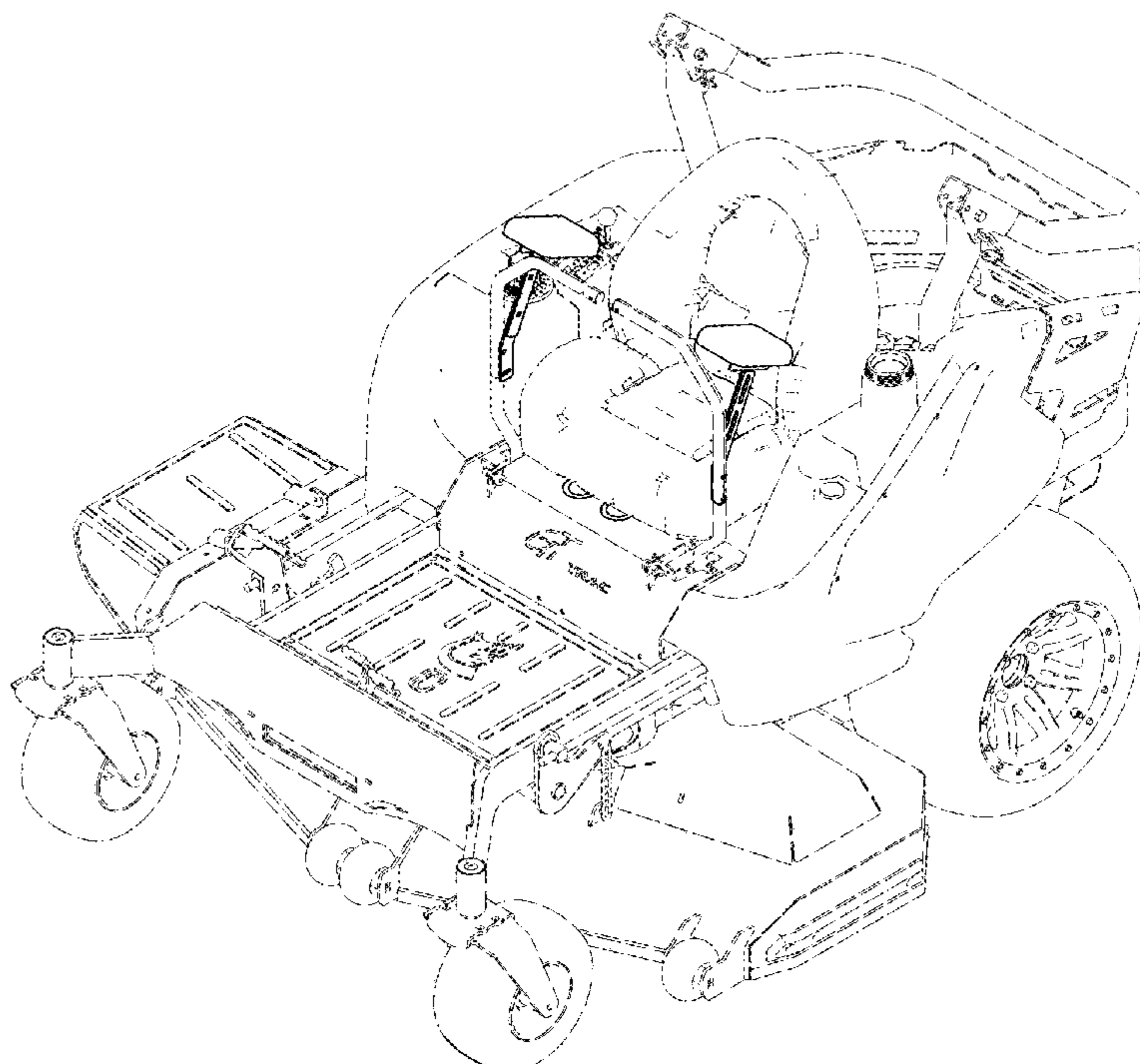
FIG. 1 is a perspective view of a pair of control arm pads of a representative sample of a vehicle (unclaimed).  
 FIG. 2 is another perspective view of the control arm pads of FIG. 1, separate from the vehicle.  
 FIG. 3 is a right side elevation view of the right-hand control arm pad of FIG. 2, with the left-hand control arm pad being a mirror image.  
 FIG. 4 is a left side elevation view thereof.  
 FIG. 5 is a top plan view thereof.  
 FIG. 6 is a bottom plan view thereof.  
 FIG. 7 is a front elevation thereof; and,  
 FIG. 8 is a rear elevation thereof.  
 The broken lines shown represent unclaimed subject matter and form no part of the claimed design.

(56) **References Cited**

U.S. PATENT DOCUMENTS

- D277,916 S \* 3/1985 Aronowitz ..... D6/716.2
- 4,695,096 A \* 9/1987 Kincaid ..... B62J 1/28  
297/411.31
- D398,311 S \* 9/1998 Smith ..... D15/15
- D441,769 S \* 5/2001 Surridge ..... D12/415
- D458,278 S \* 6/2002 Clevenger ..... D15/28
- D463,458 S \* 9/2002 Arthur ..... D15/28
- D495,718 S \* 9/2004 Higashikawa ..... D15/15
- D500,218 S \* 12/2004 Koepke ..... D6/366
- D526,952 S \* 8/2006 Stahel ..... D12/411
- D539,311 S \* 3/2007 Honda ..... D15/28

**1 Claim, 8 Drawing Sheets**



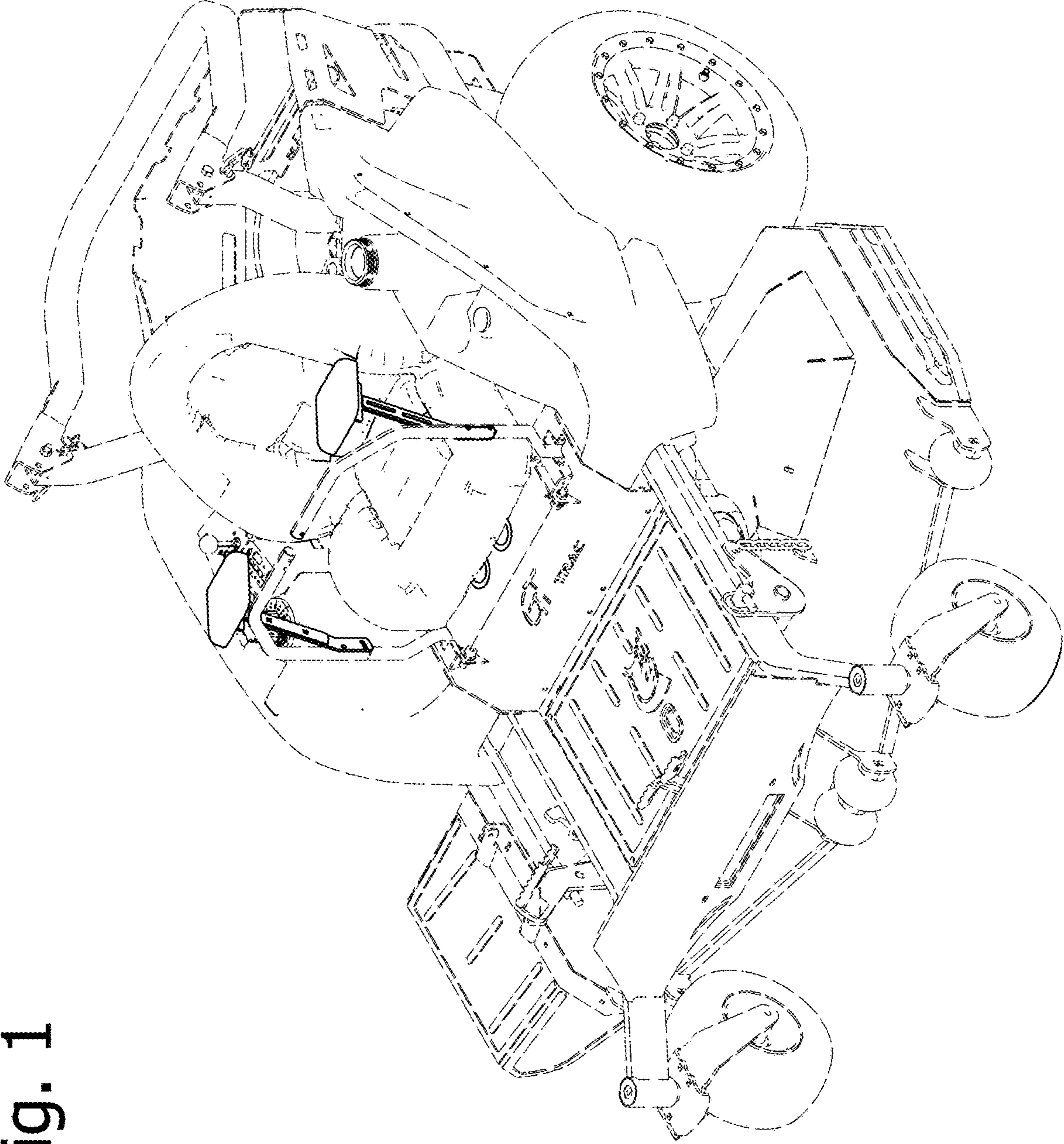


Fig. 1

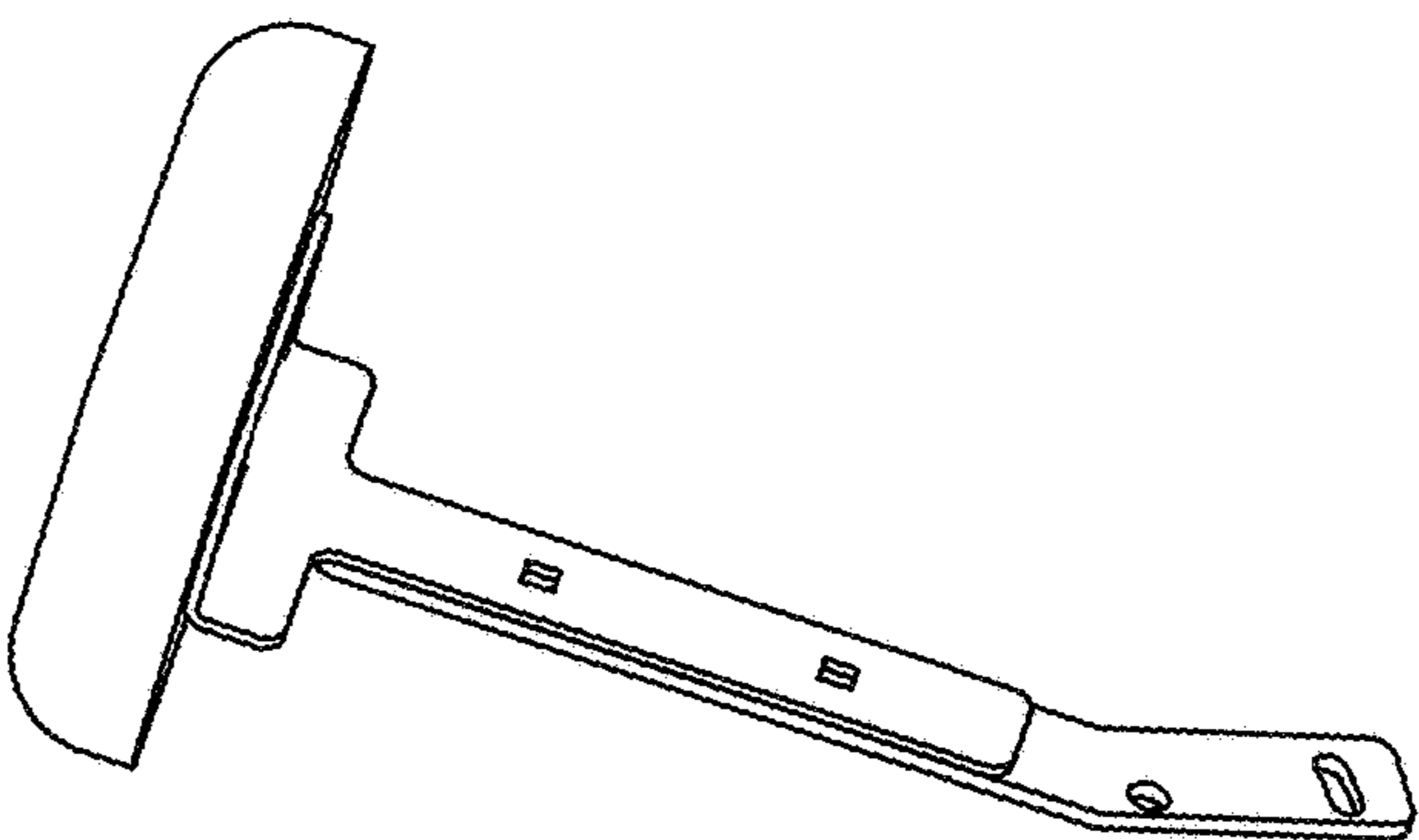
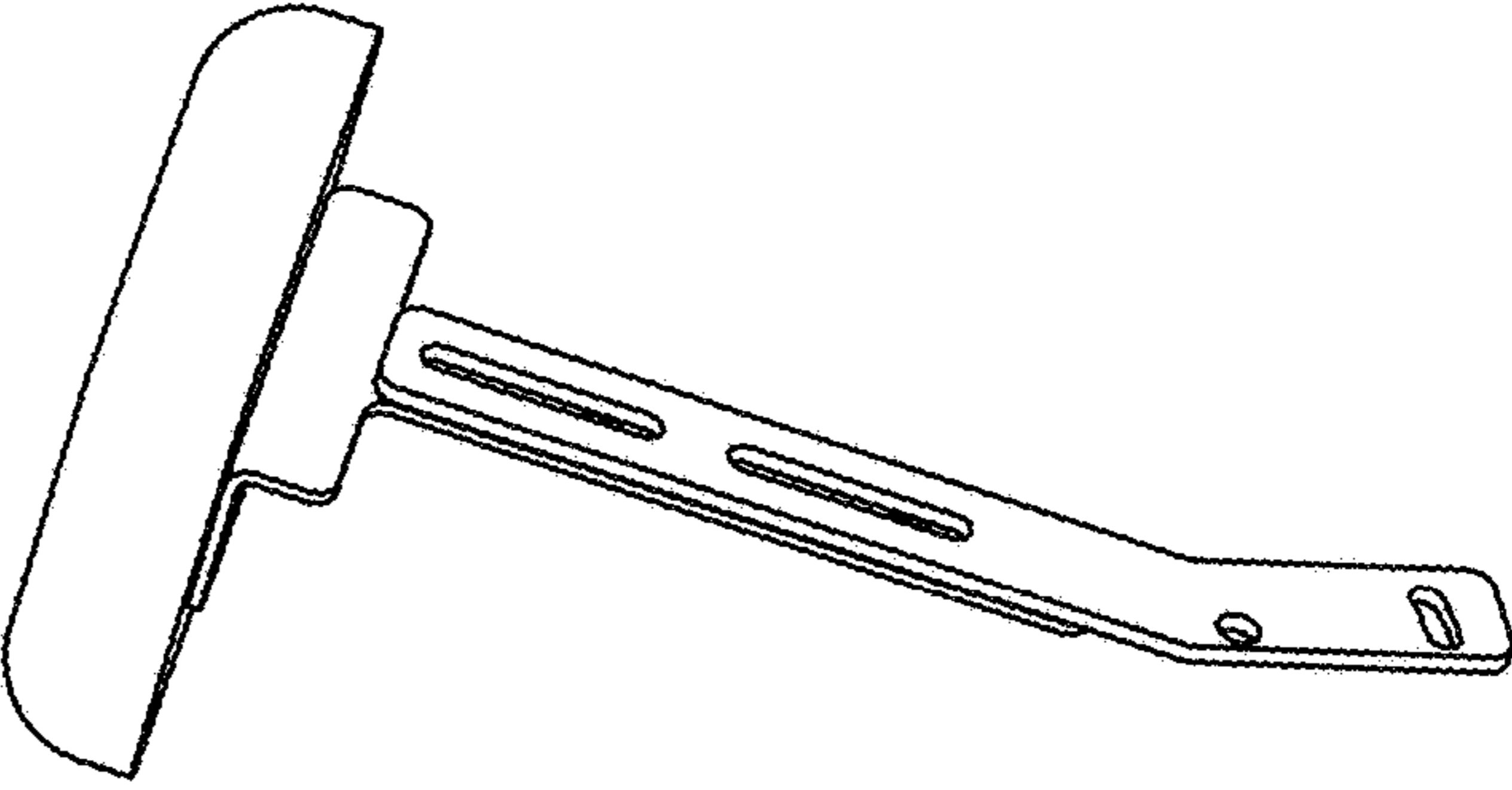
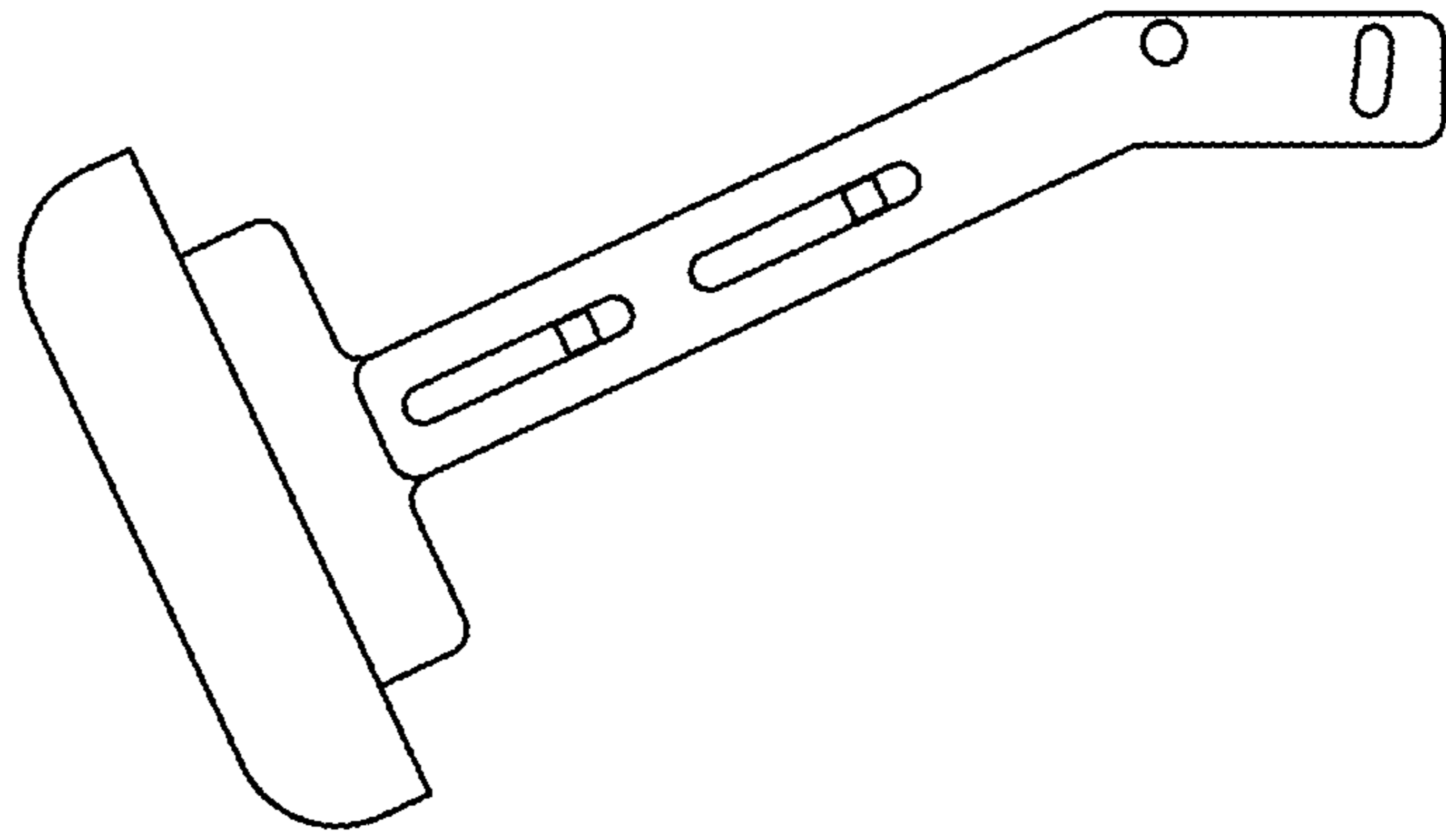


Fig. 2

Fig. 3



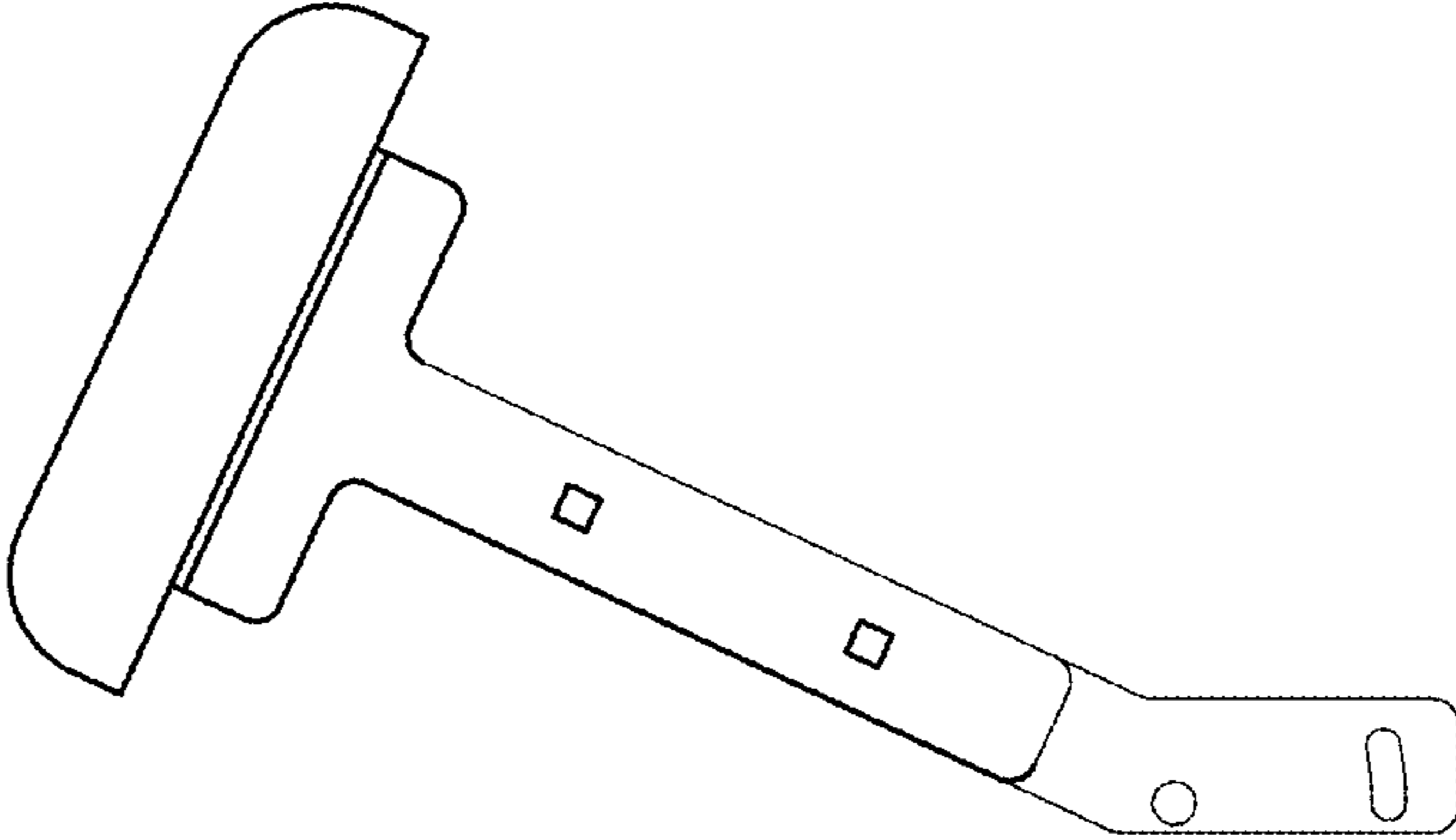


Fig. 4



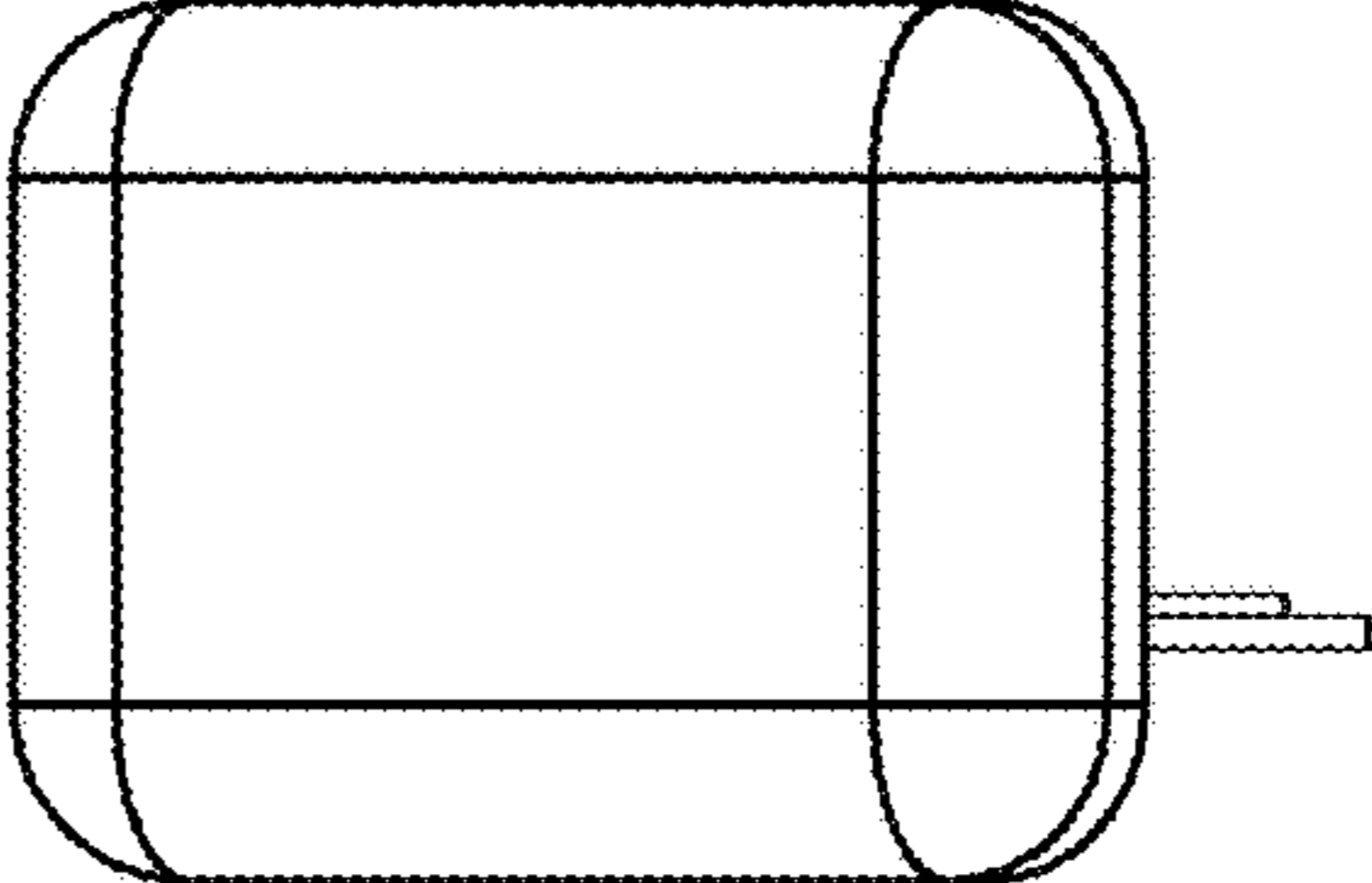
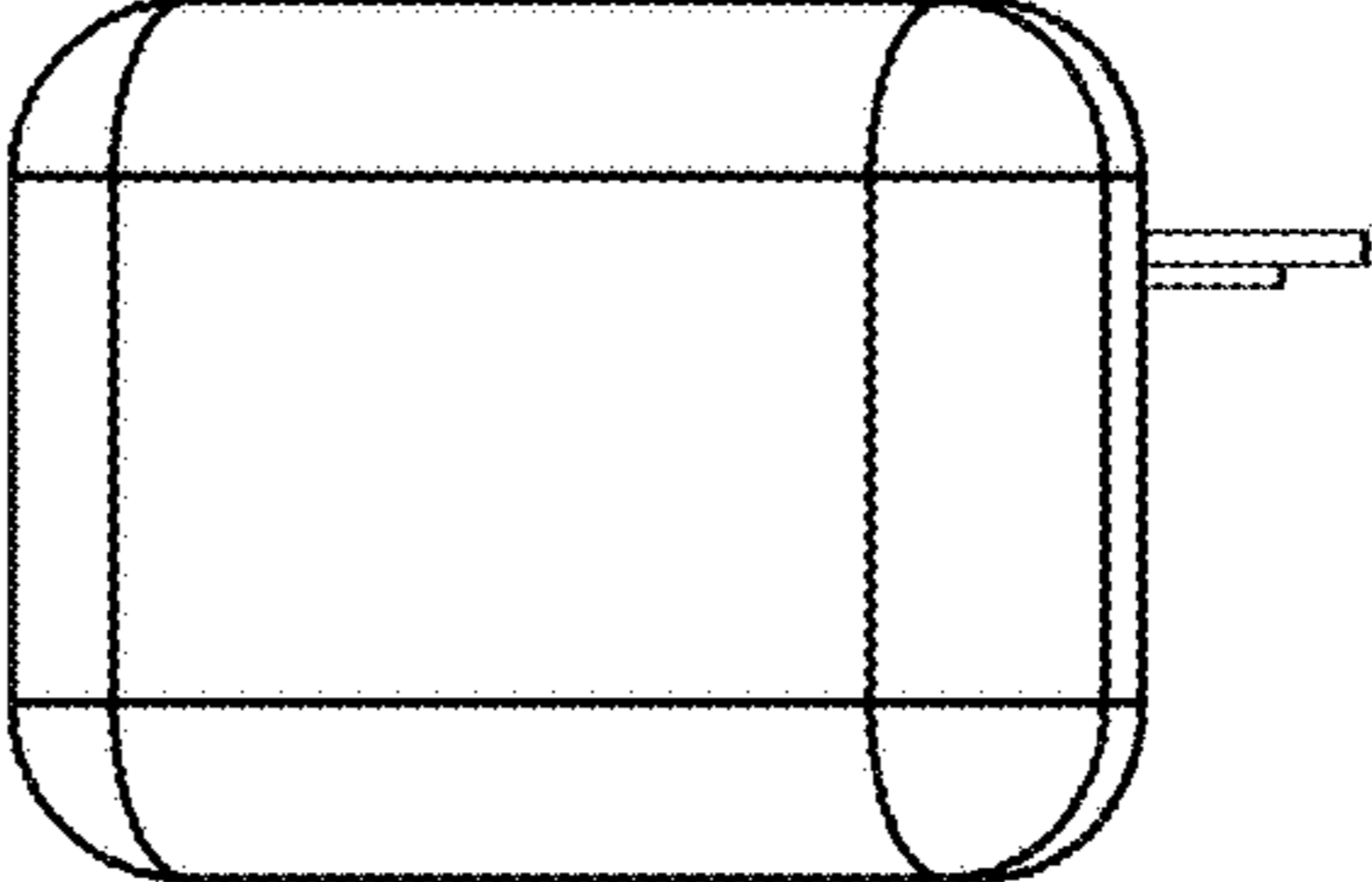


Fig. 5

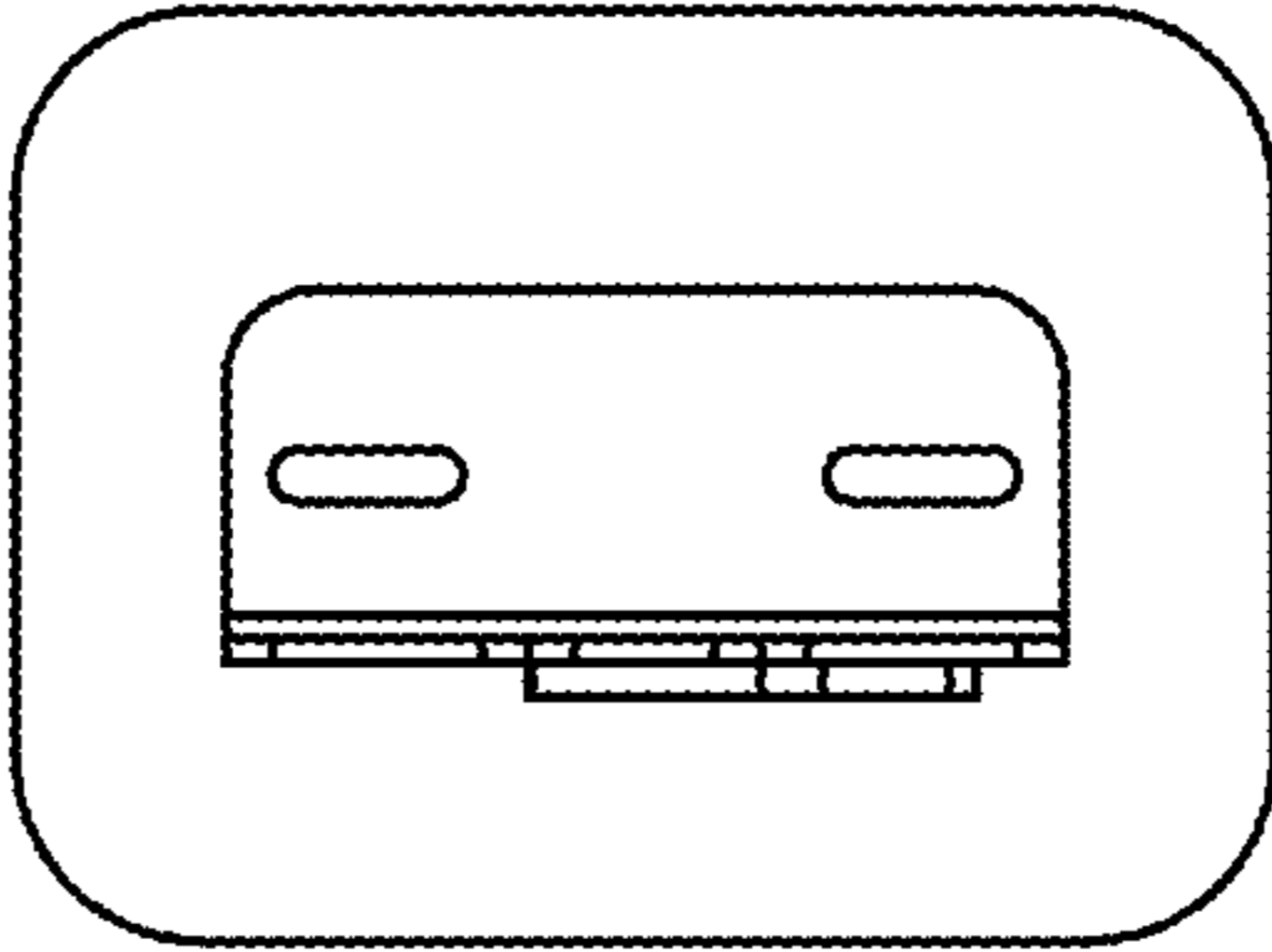
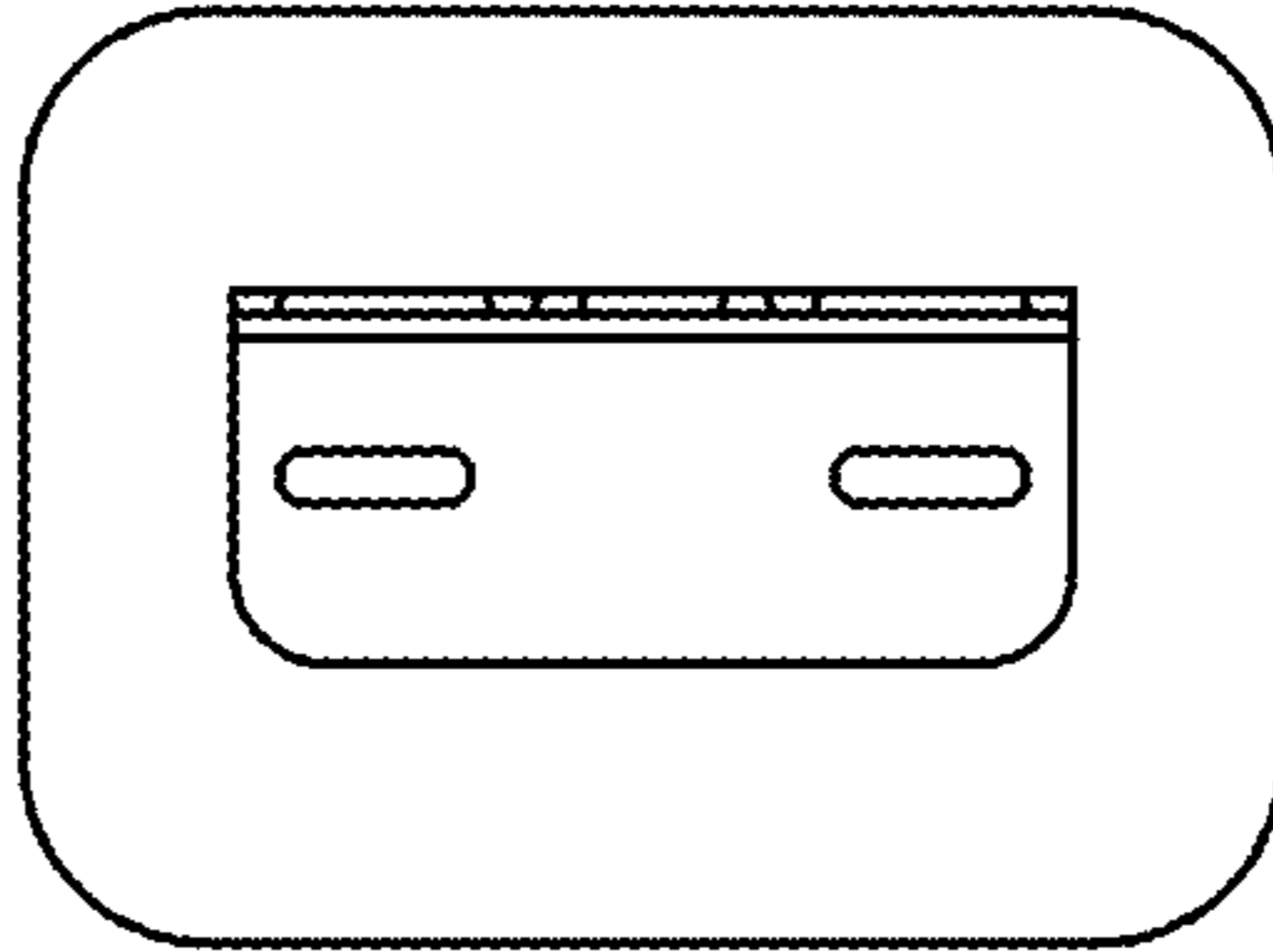


Fig. 6

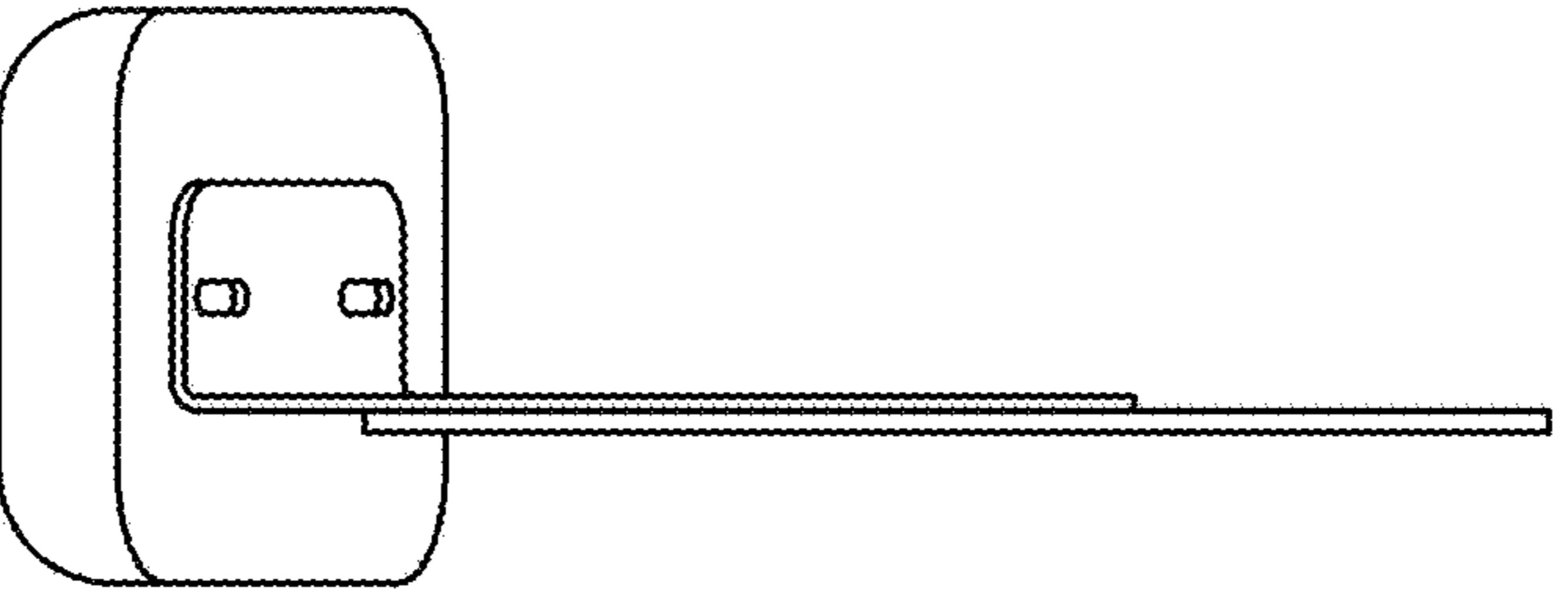
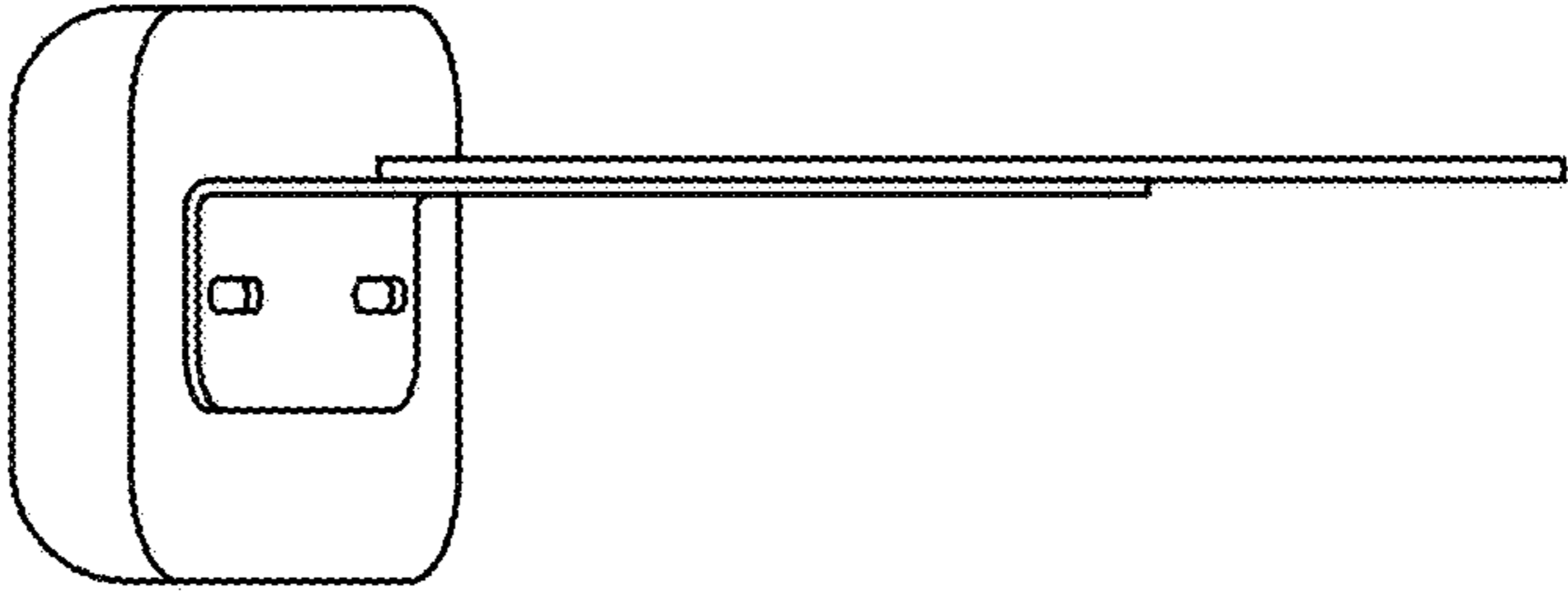


Fig. 7



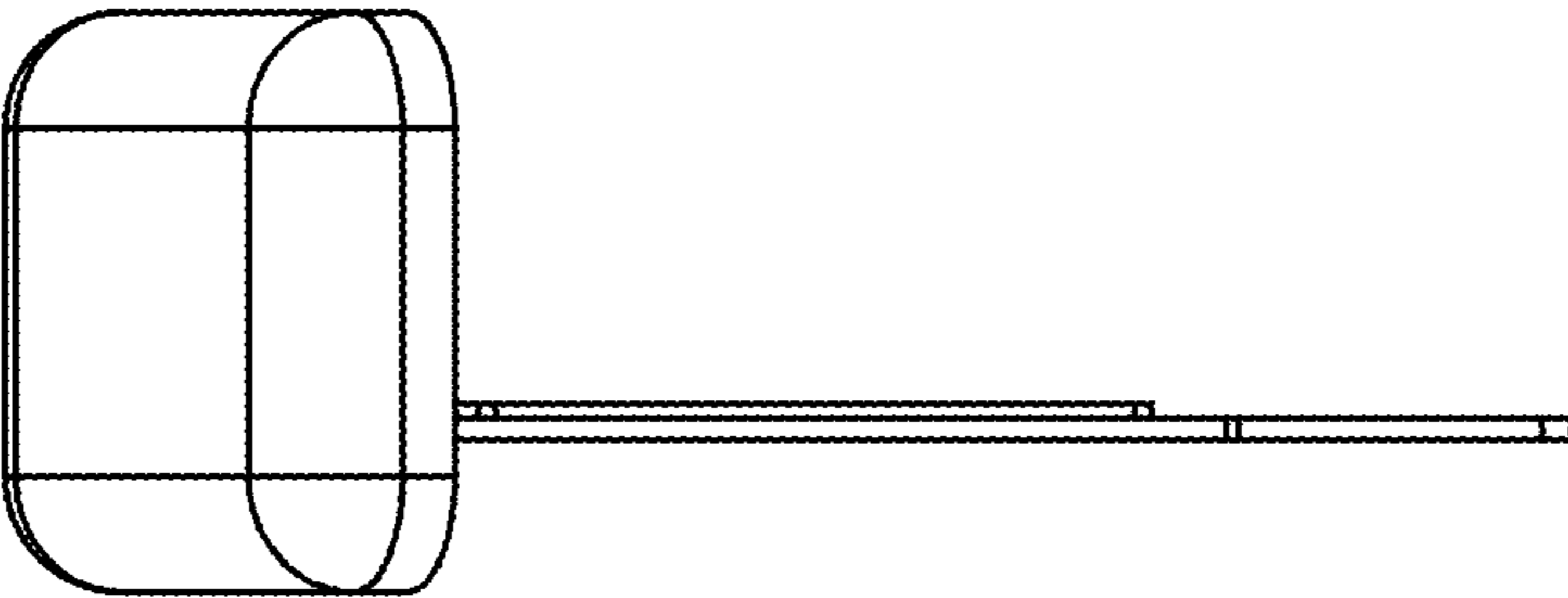
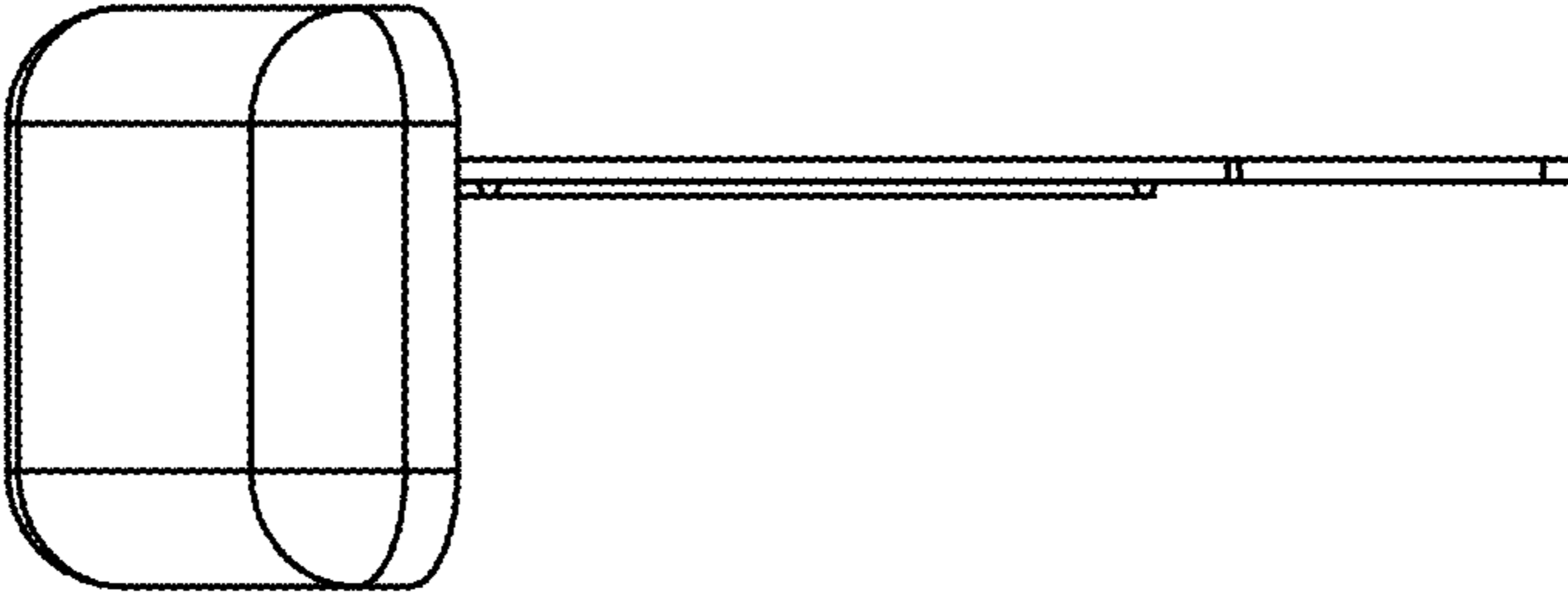


Fig. 8