



US00D778960S

(12) **United States Design Patent**
Manzon

(10) **Patent No.:** **US D778,960 S**

(45) **Date of Patent:** **** Feb. 14, 2017**

(54) **LAWN-MOWER BLADE**
(71) Applicant: **Alberto Manzon**, Fiume Veneto (IT)
(72) Inventor: **Alberto Manzon**, Fiume Veneto (IT)
(73) Assignee: **Alberto Manzon**, Fiume Veneto (IT)
(**) Term: **15 Years**

5,287,686 A * 2/1994 Lindsay A01D 34/73
30/347
D370,489 S * 6/1996 Taggett D15/17
D396,174 S * 7/1998 Schultz D15/17
D574,860 S * 8/2008 Potts D15/17
D577,372 S * 9/2008 Hung D15/17
D656,519 S * 3/2012 Funnell D15/17
D662,520 S * 6/2012 Nikkel D15/17
D745,061 S * 12/2015 DeLeon D15/17

* cited by examiner

(21) Appl. No.: **29/505,293**

Primary Examiner — Mark Goodwin

(22) Filed: **Sep. 4, 2015**

(74) *Attorney, Agent, or Firm* — Modiano & Associati;
Daniel J. O'Byrne

(30) **Foreign Application Priority Data**

Mar. 9, 2015 (EM) 002649111

(51) **LOC (10) Cl.** **15-03**

(57) **CLAIM**

(52) **U.S. Cl.**
USPC **D15/17**

The ornamental design for a lawn-mower blade, as shown.

(58) **Field of Classification Search**
USPC ... D15/14–18, 32; D8/20; 30/347, 276, 390;
56/295, 255, 289, 13.4, 17.5, DIG. 19,
56/DIG. 20
CPC A01D 34/005; A01D 34/73; A01D 34/13;
A01D 34/40; A01D 34/10; A01D
34/73352; A01D 34/42; A01D
34/00; A01D 34/826; A01D
2101/00; Y10S 56/20; Y10S 56/17
See application file for complete search history.

DESCRIPTION

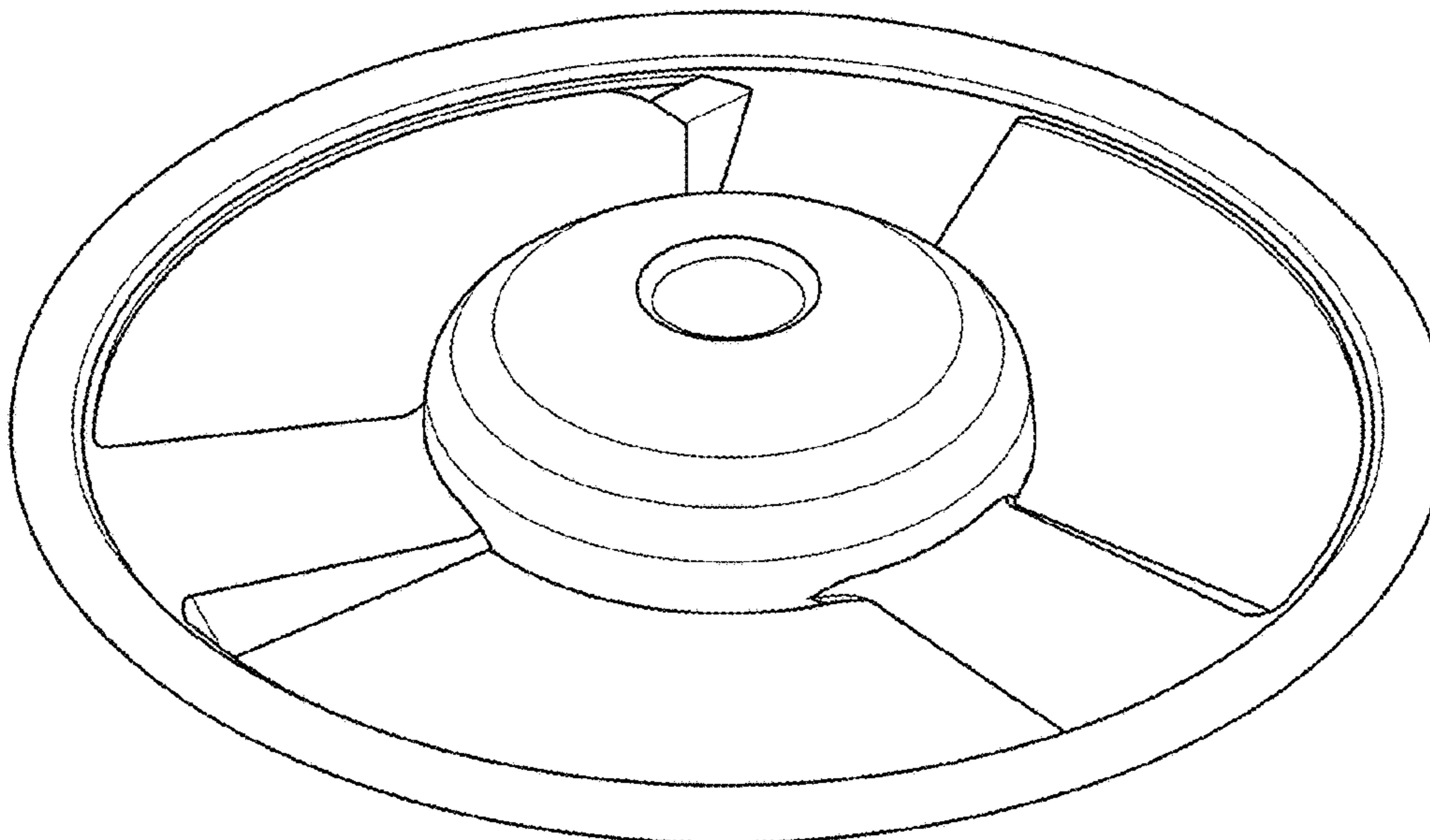
FIG. 1 is a perspective view from above of a lawn-mower blade showing my new design;
FIG. 2 is a front view thereof;
FIG. 3 is a rear view thereof;
FIG. 4 is a left side view thereof;
FIG. 5 is a top view thereof;
FIG. 6 is a bottom view thereof; and,
FIG. 7 is a perspective view from below thereof.

(56) **References Cited**

U.S. PATENT DOCUMENTS

D280,903 S * 10/1985 Barbula D15/17
D326,458 S * 5/1992 Huber, Jr. D15/17

1 Claim, 5 Drawing Sheets



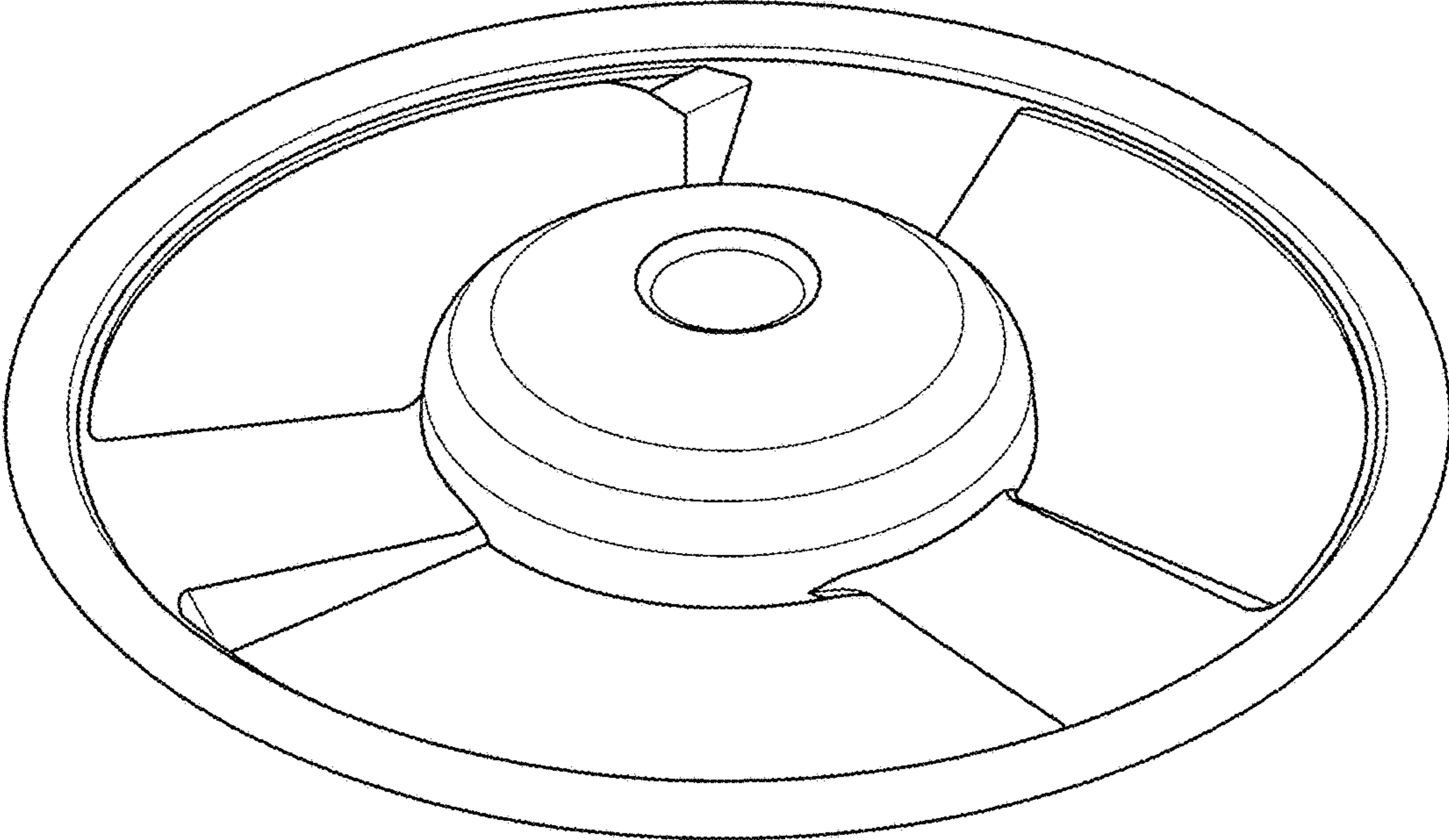


Fig. 1

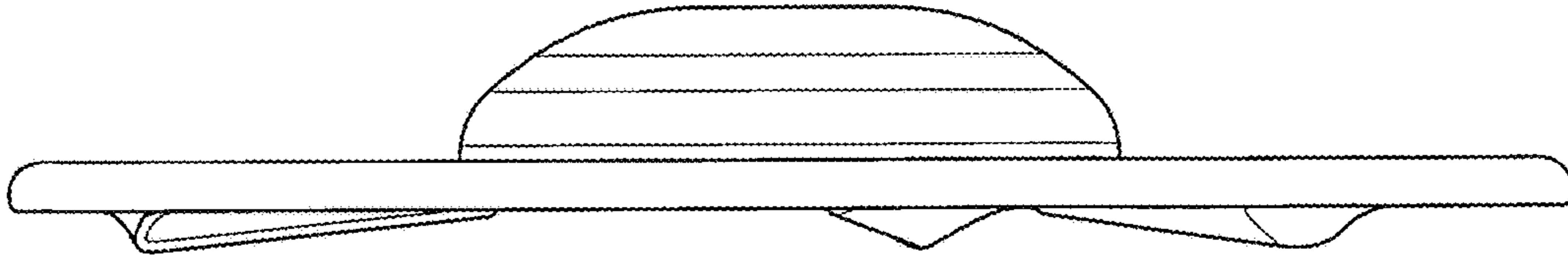


Fig. 2

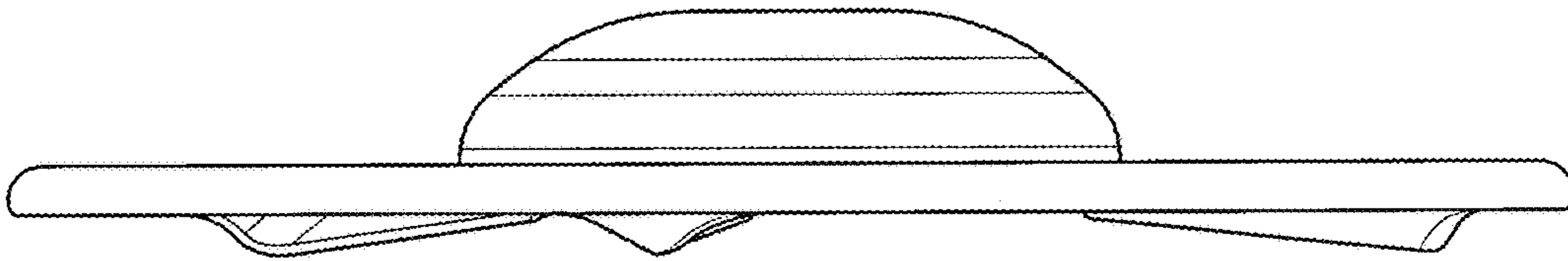


Fig. 3

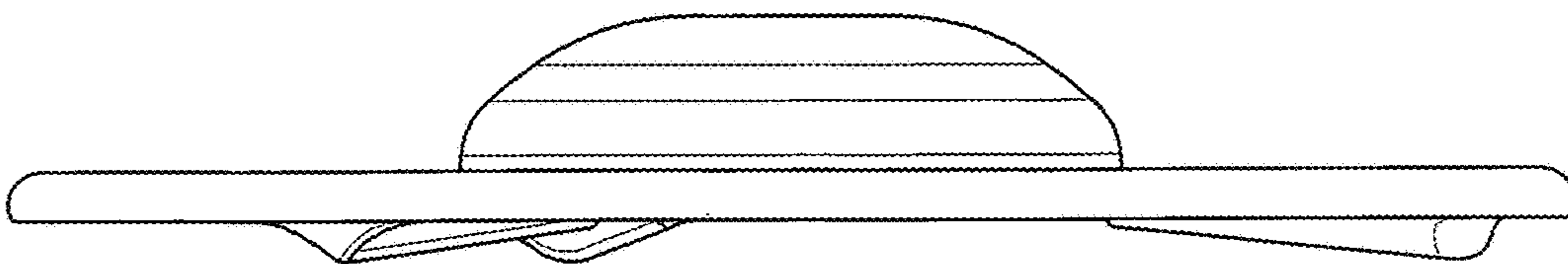


Fig. 4

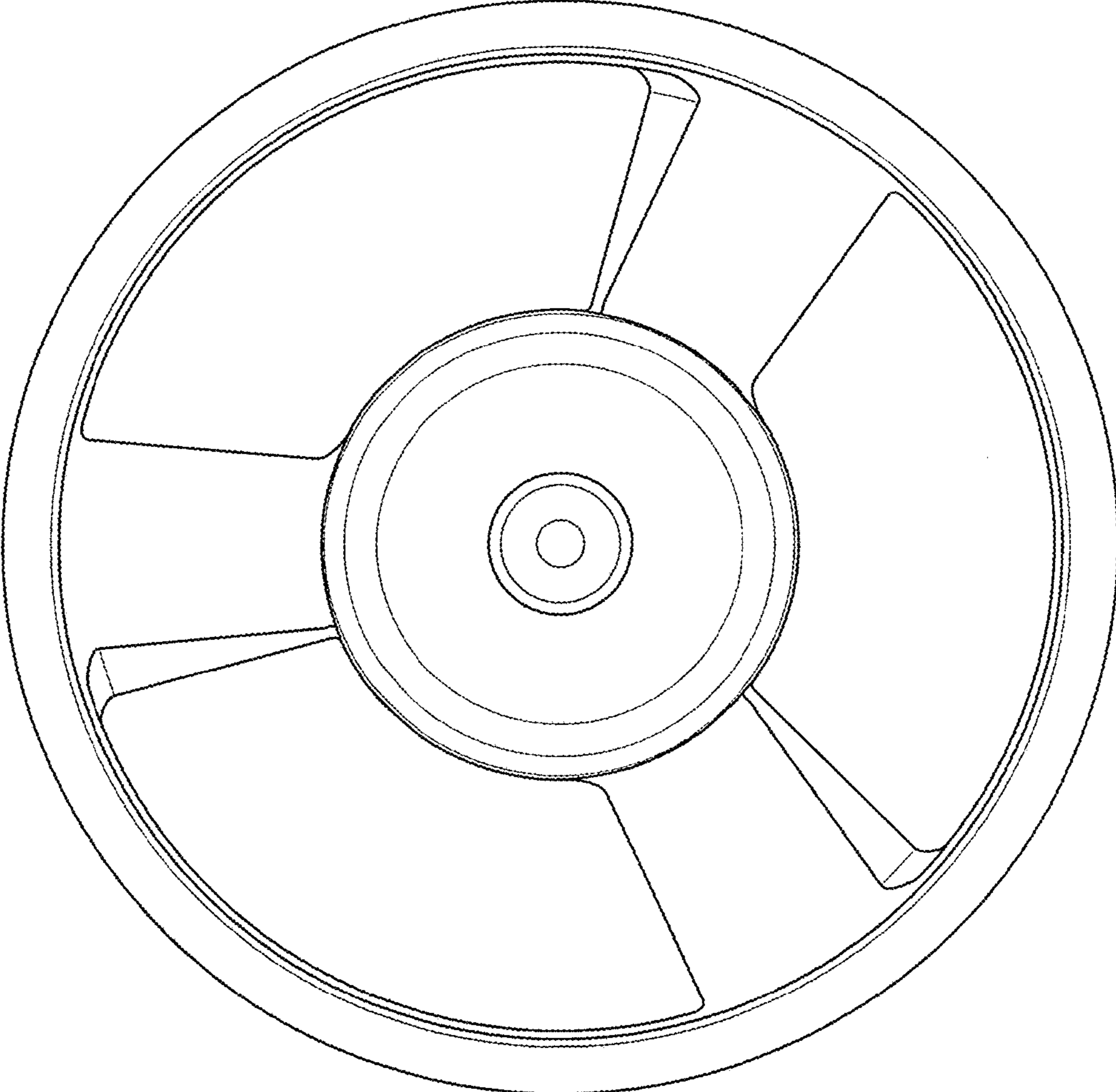


Fig. 5

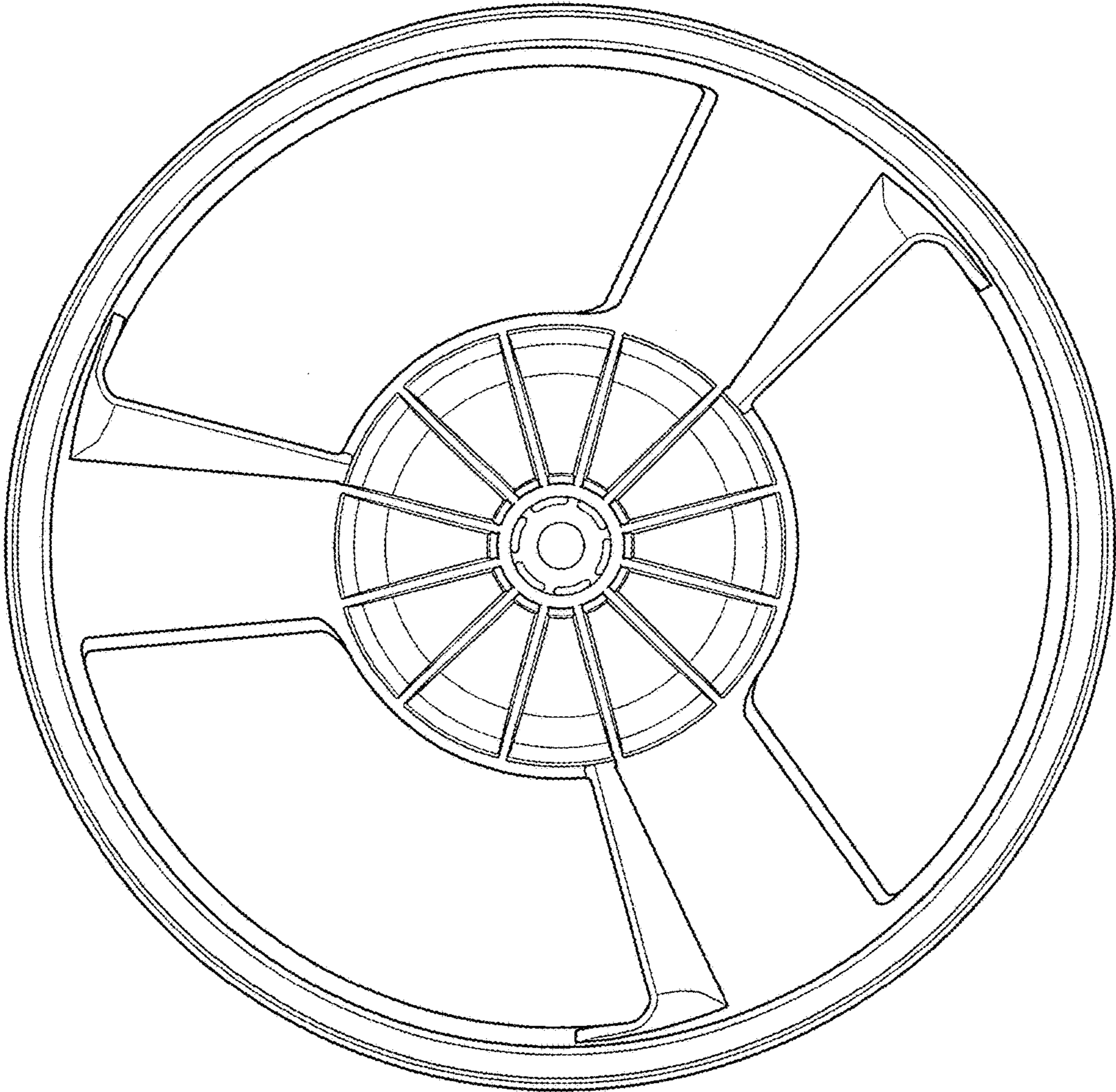


Fig. 6

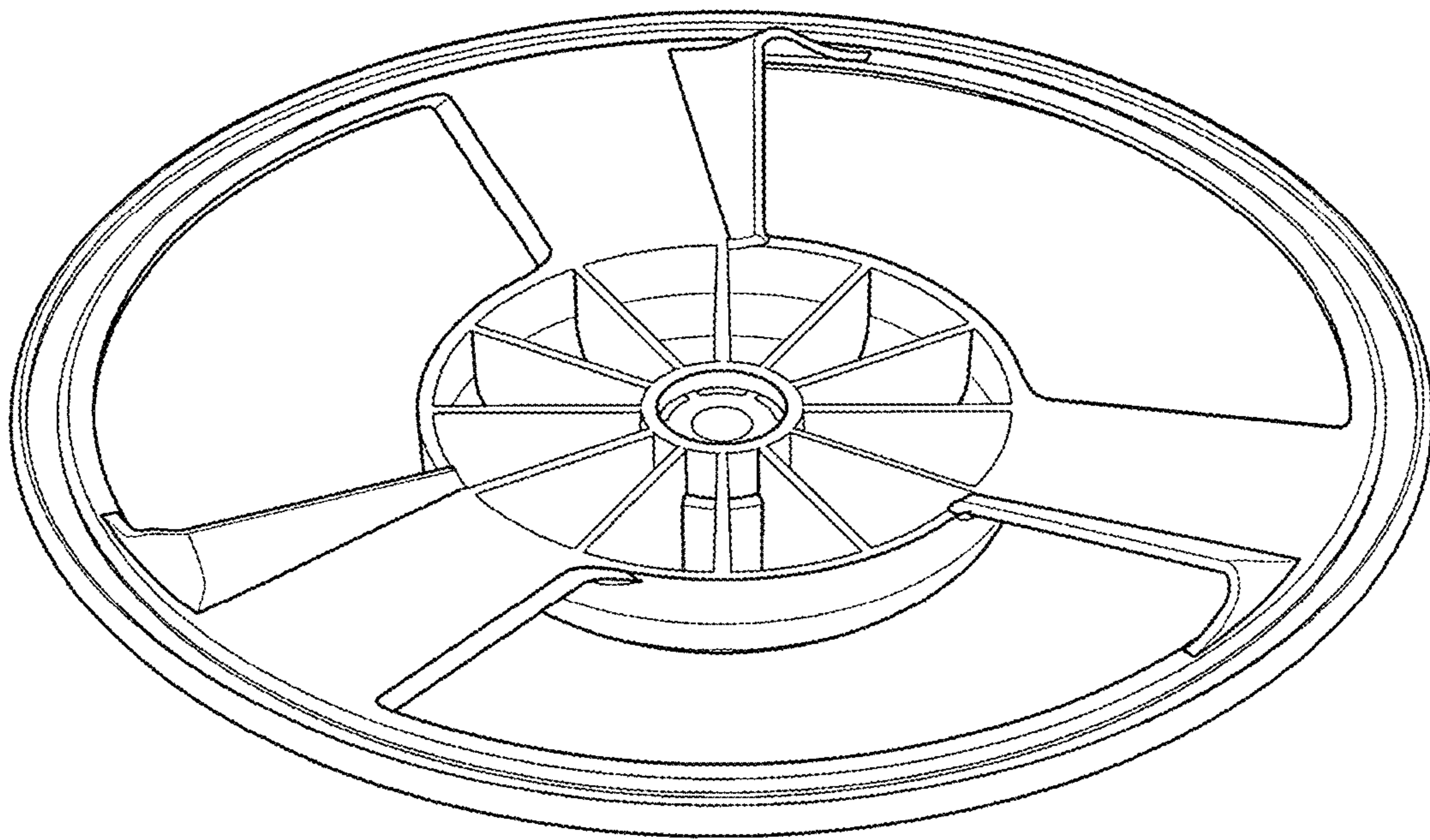


Fig. 7