



US00D778955S

(12) **United States Design Patent** (10) **Patent No.:** **US D778,955 S**
Aoshima (45) **Date of Patent:** **** Feb. 14, 2017**

(54) **TRANSITIONAL IMAGE FOR PORTION OF DISPLAY SCREEN FOR DIGITAL CAMERA**

(71) Applicant: **FUJIFILM Corporation**, Minato-ku, Tokyo (JP)

(72) Inventor: **Yuzo Aoshima**, Tokyo (JP)

(73) Assignee: **FUJIFILM Corporation**, Tokyo (JP)

(**) Term: **15 Years**

(21) Appl. No.: **29/539,736**

(22) Filed: **Sep. 17, 2015**

Related U.S. Application Data

(62) Division of application No. 29/455,383, filed on May 20, 2013.

Foreign Application Priority Data

Nov. 30, 2012 (JP) 2012-029373
Nov. 30, 2012 (JP) 2012-029375
Nov. 30, 2012 (JP) 2012-029386
Nov. 30, 2012 (JP) 2012-029388

(51) **LOC (10) Cl.** **14-04**

(52) **U.S. Cl.**
CPC **G06F 3/04817** (2013.01)
USPC **D14/494**

(58) **Field of Classification Search**
USPC D14/485-495; 715/700-867, 973-977
CPC G06F 3/0481-3/0486
See application file for complete search history.

(56) **References Cited**

U.S. PATENT DOCUMENTS

D715,828 S * 10/2014 Aoshima D14/488
D715,829 S * 10/2014 Aoshima D14/488
D715,830 S * 10/2014 Aoshima D14/488
D719,184 S * 12/2014 Aoshima D14/487
D721,384 S * 1/2015 Omata D14/487

* cited by examiner

Primary Examiner — Richard E Chilcot

(74) *Attorney, Agent, or Firm* — Sughrue Mion, PLLC

(57) **CLAIM**

The ornamental design for a transitional image for a portion of display screen for digital camera, as shown and described.

DESCRIPTION

FIG. 1 is a front elevational view of a digital camera having a display screen showing my new design;
FIG. 2 is a top plan view thereof;
FIG. 3 is a bottom plan view thereof;
FIG. 4 is a left side elevational view thereof;
FIG. 5 is a right side elevational view thereof;
FIG. 6 is a rear elevational view thereof, showing a display screen of an embodiment;
FIG. 7 is an enlarged view of the display screen;
FIG. 8 is a first image of a display screen; and,
FIG. 9 is a second image of the display screen.

The portions of the display screen for digital camera in broken lines are shown for illustrative purposes only and form no part of the claimed design.

The appearance of image transitions sequentially between the images of the display screen shown in FIG. 8 and FIG. 9. The process or period in which one image transitions to another image forms no part of the claimed design.

1 Claim, 5 Drawing Sheets

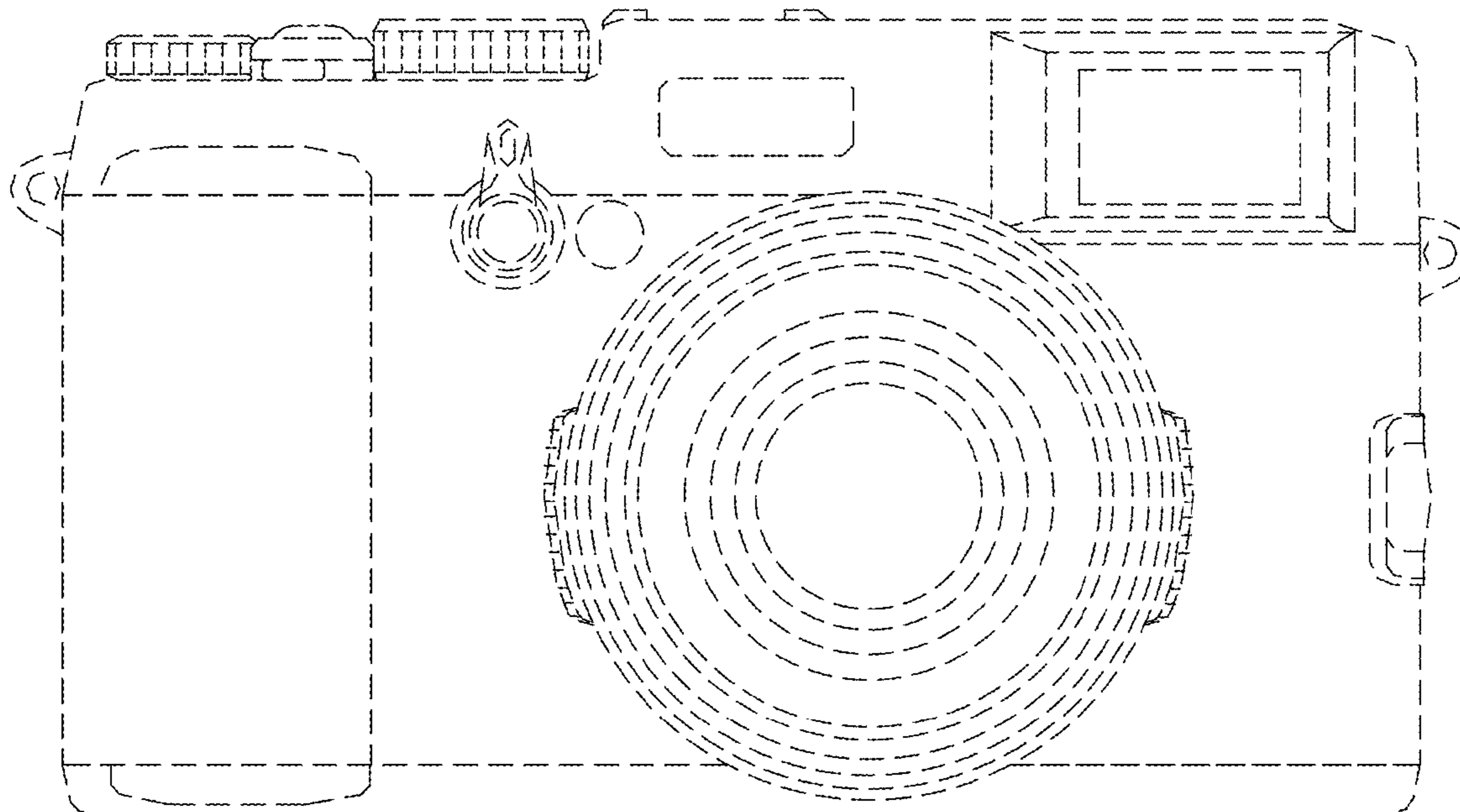


FIG. 1

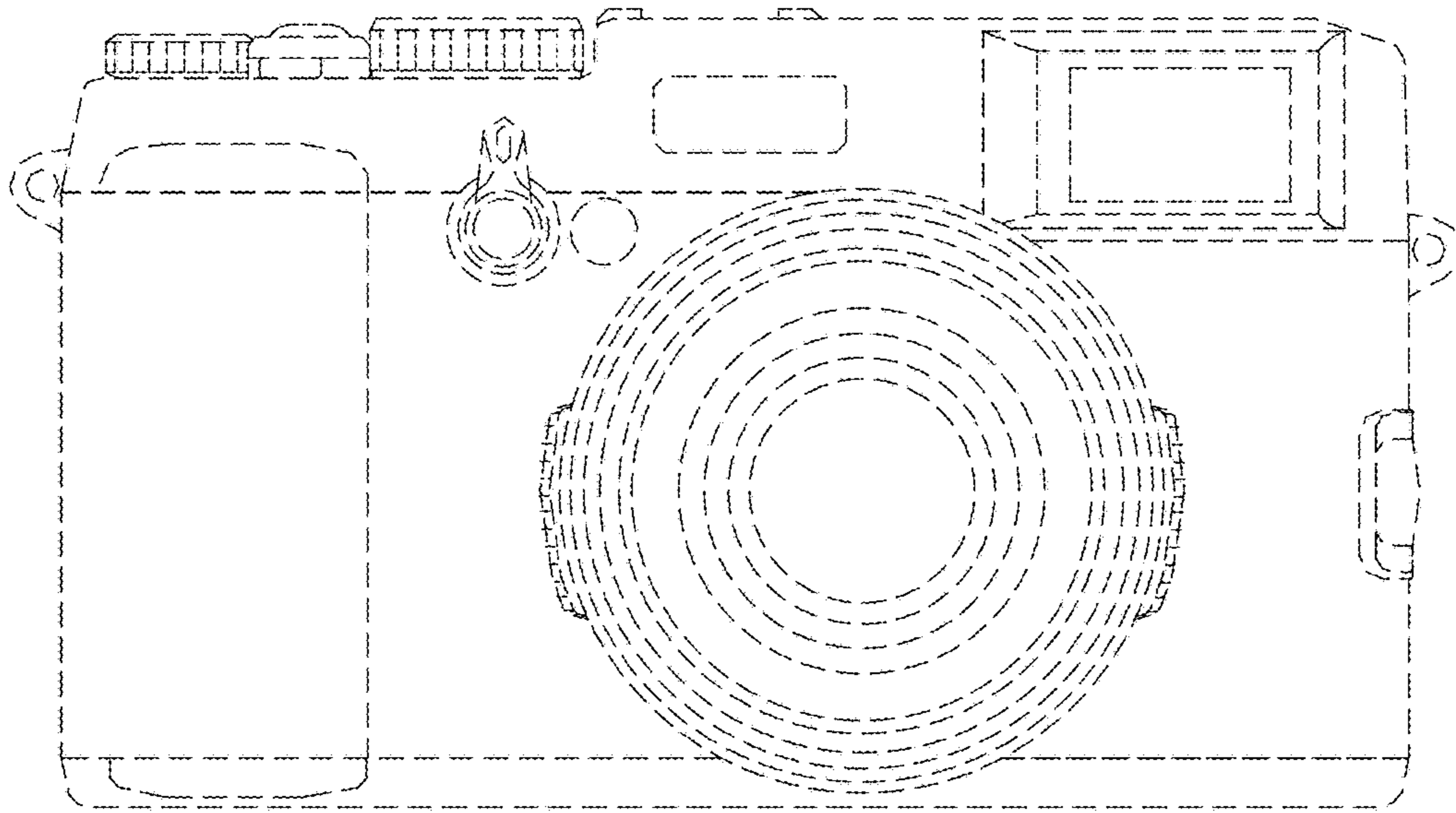


FIG. 2

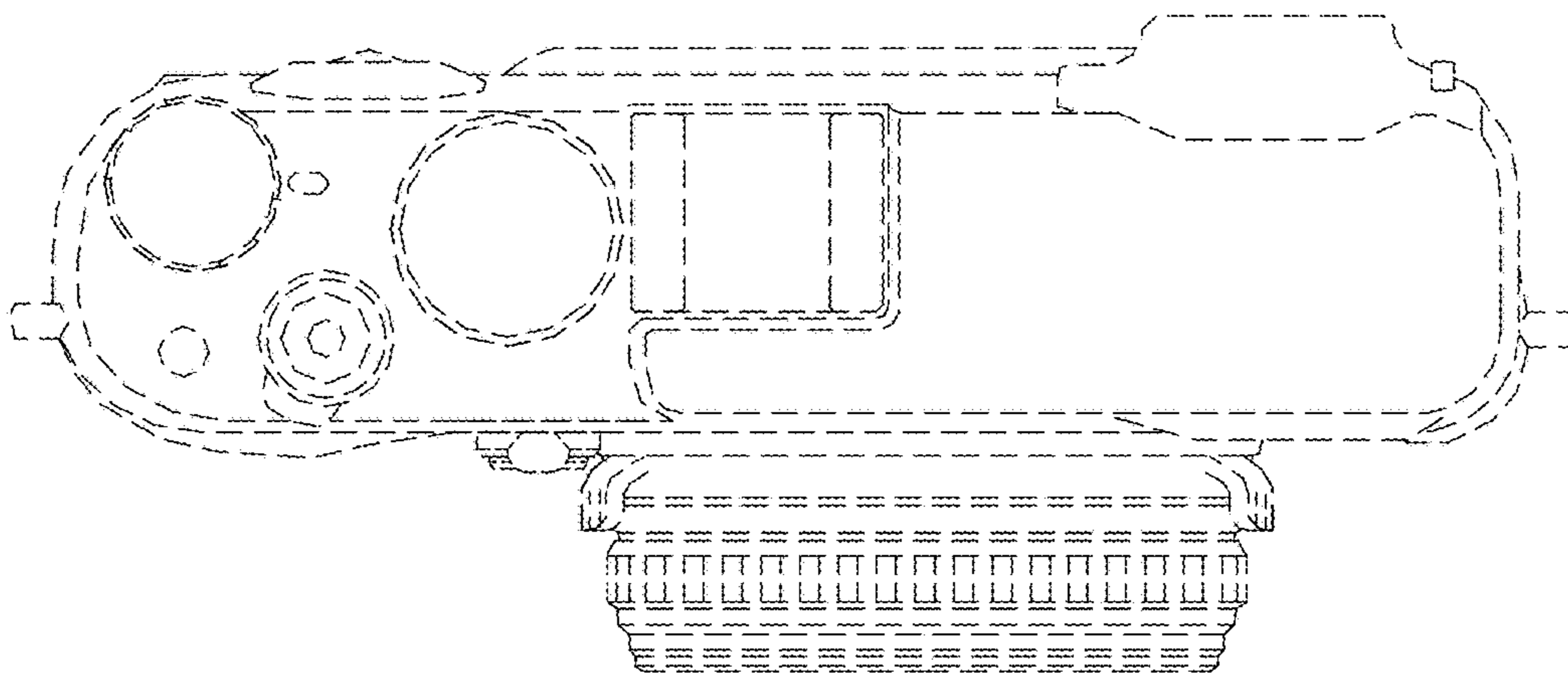


FIG. 3

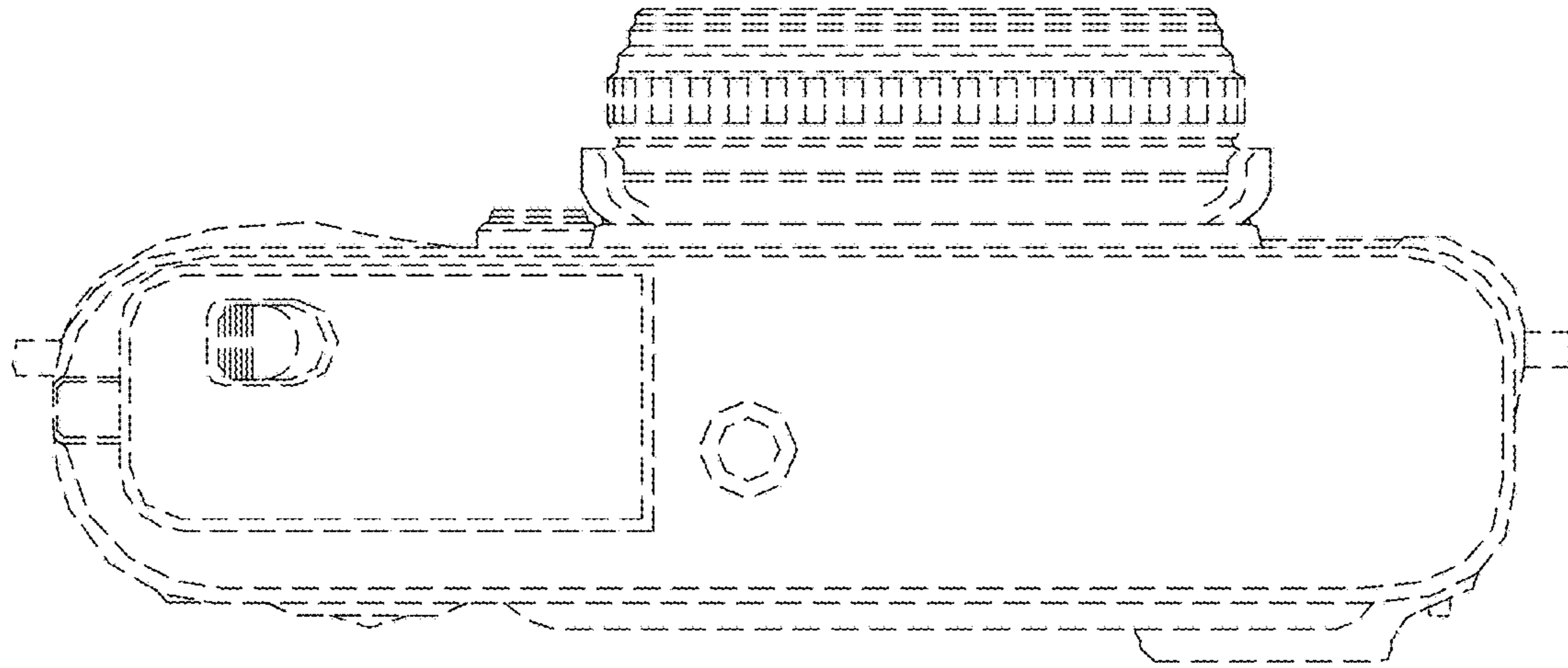


FIG. 4

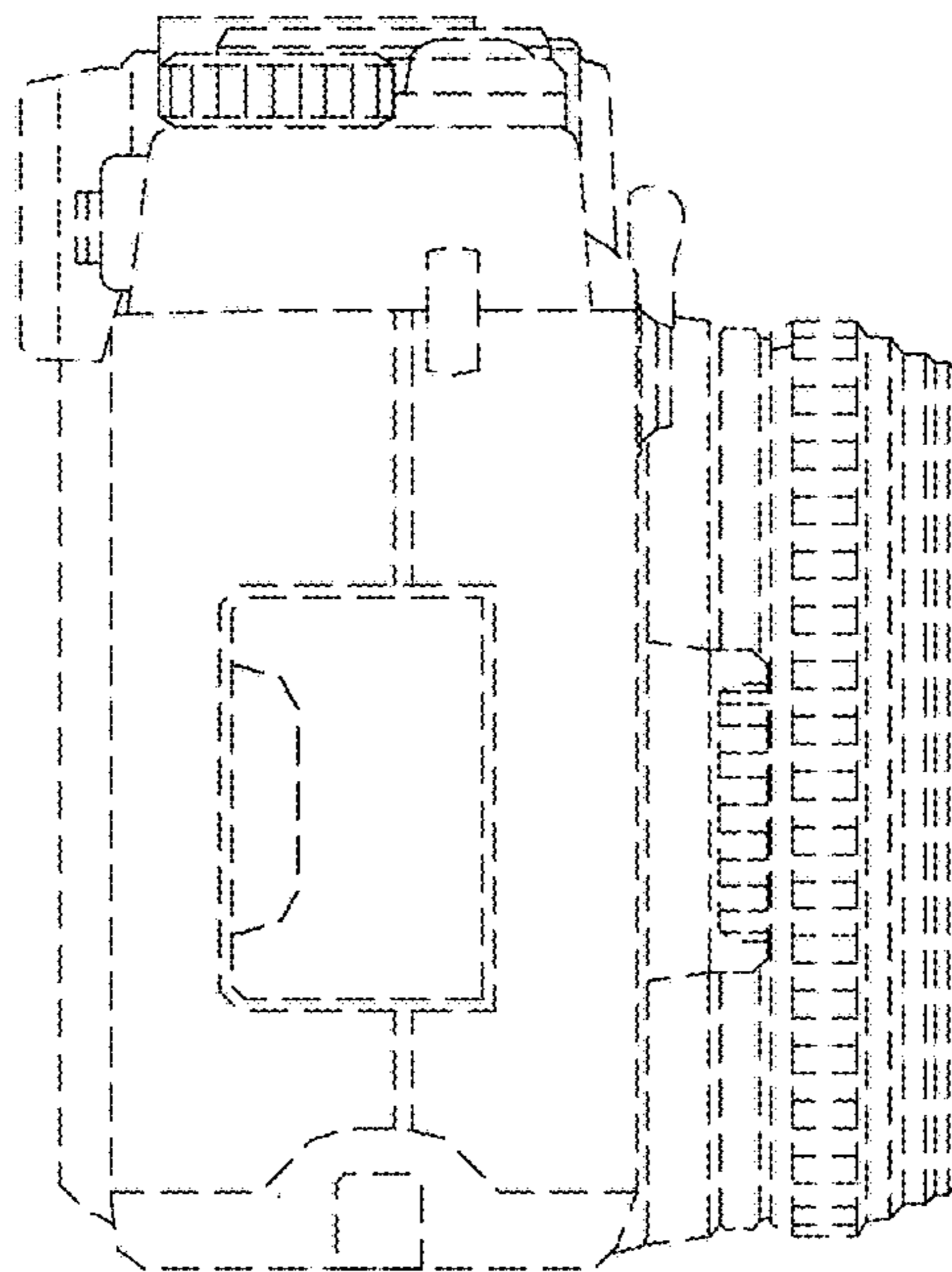


FIG. 5

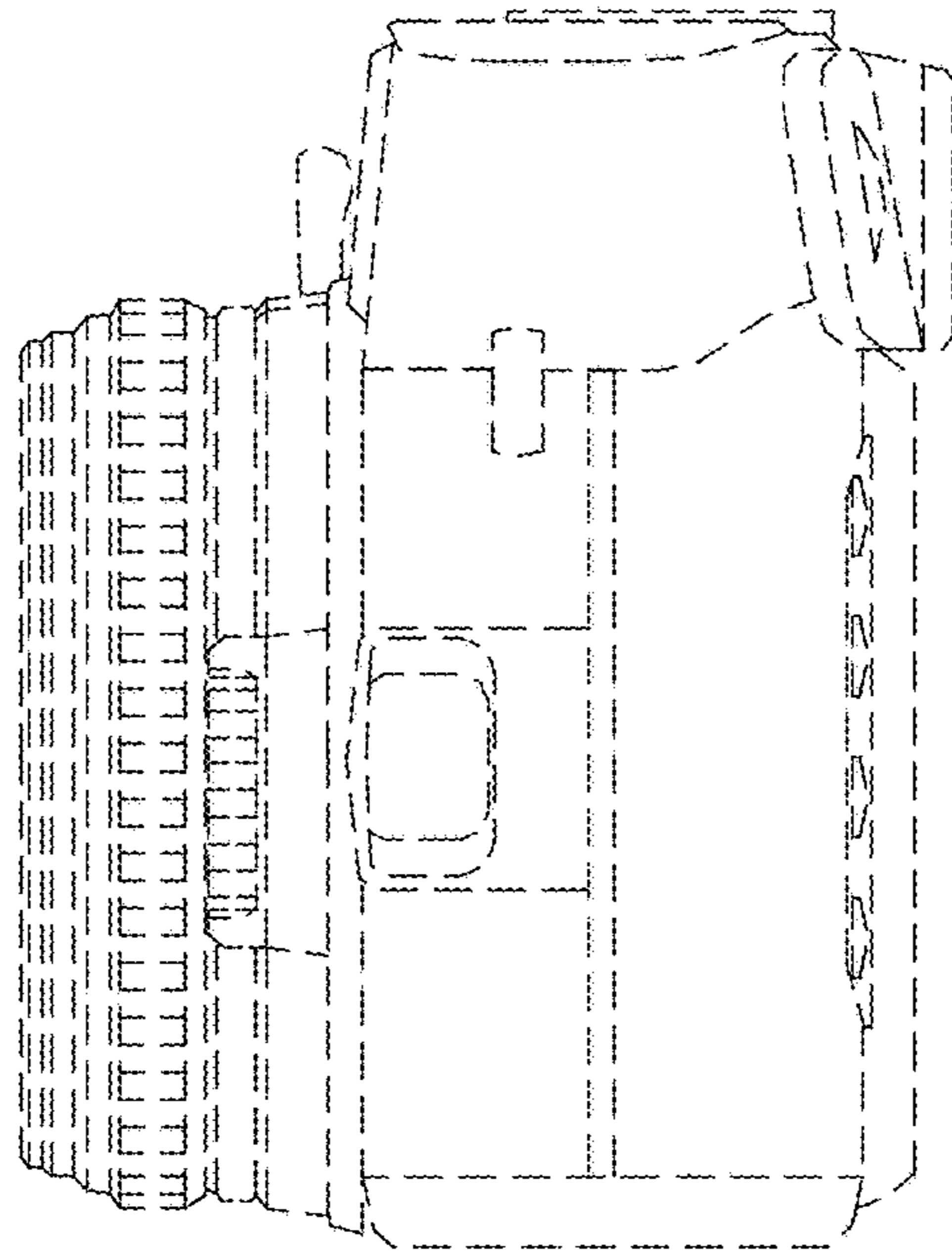


FIG. 6

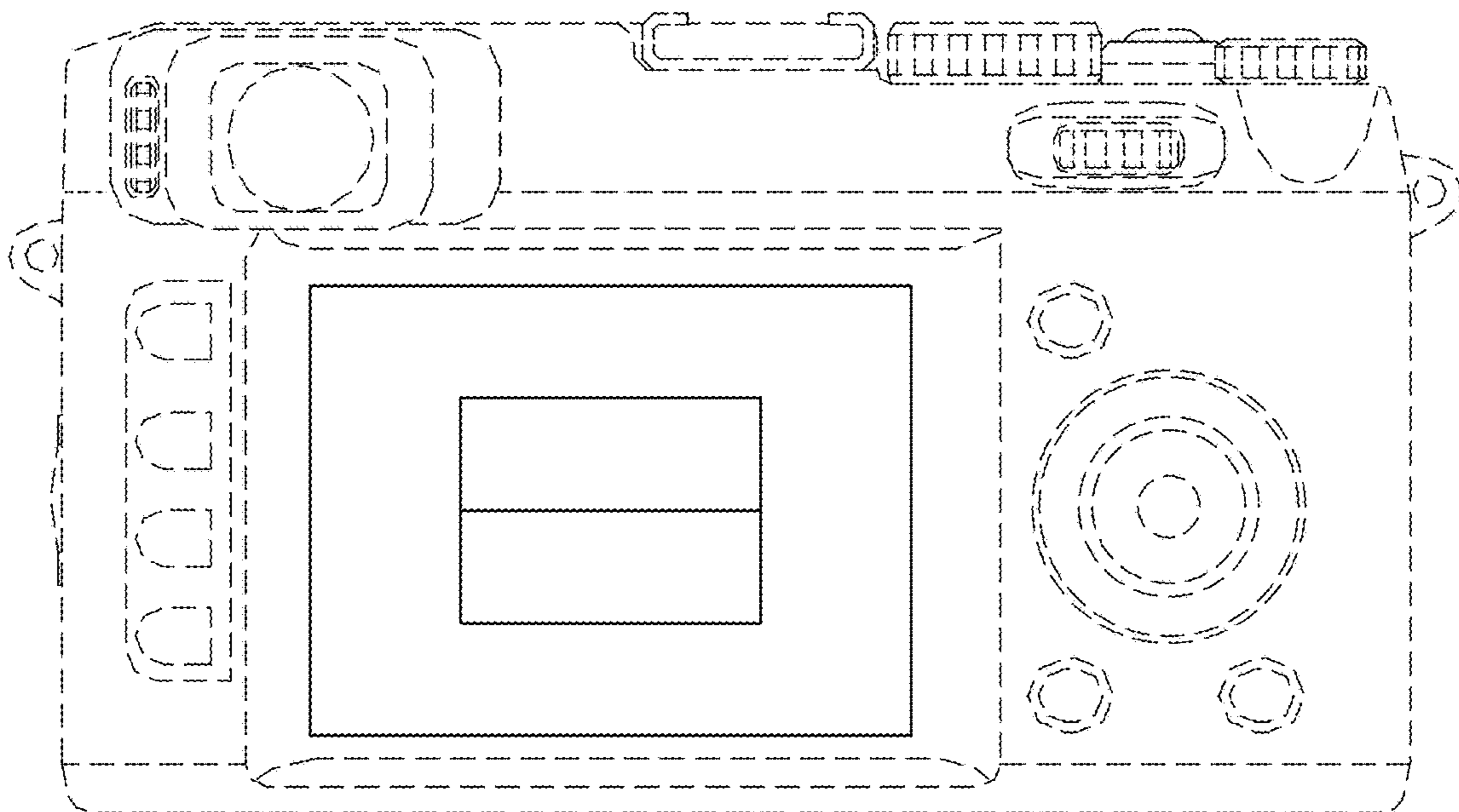


FIG. 7

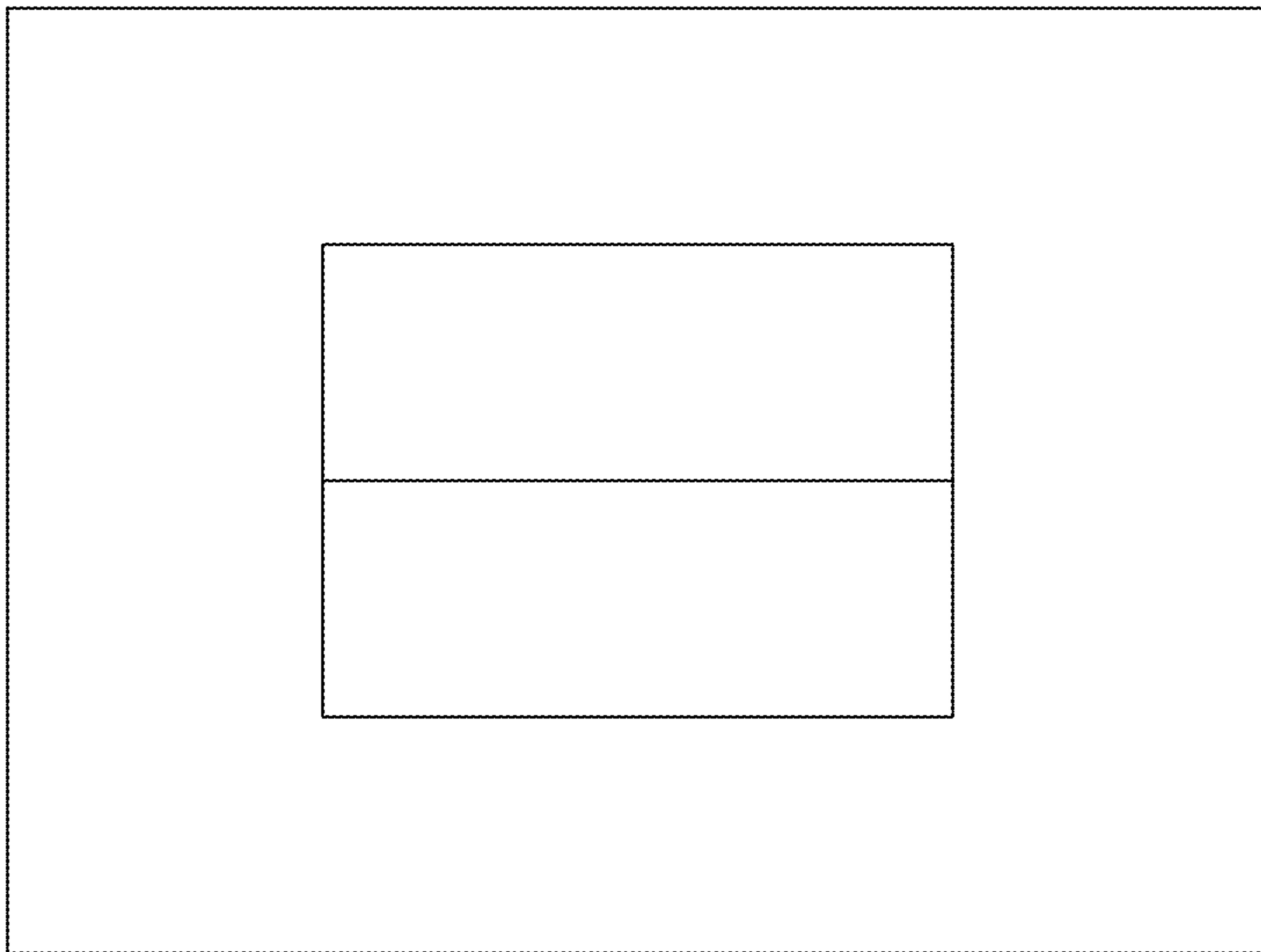


FIG. 8

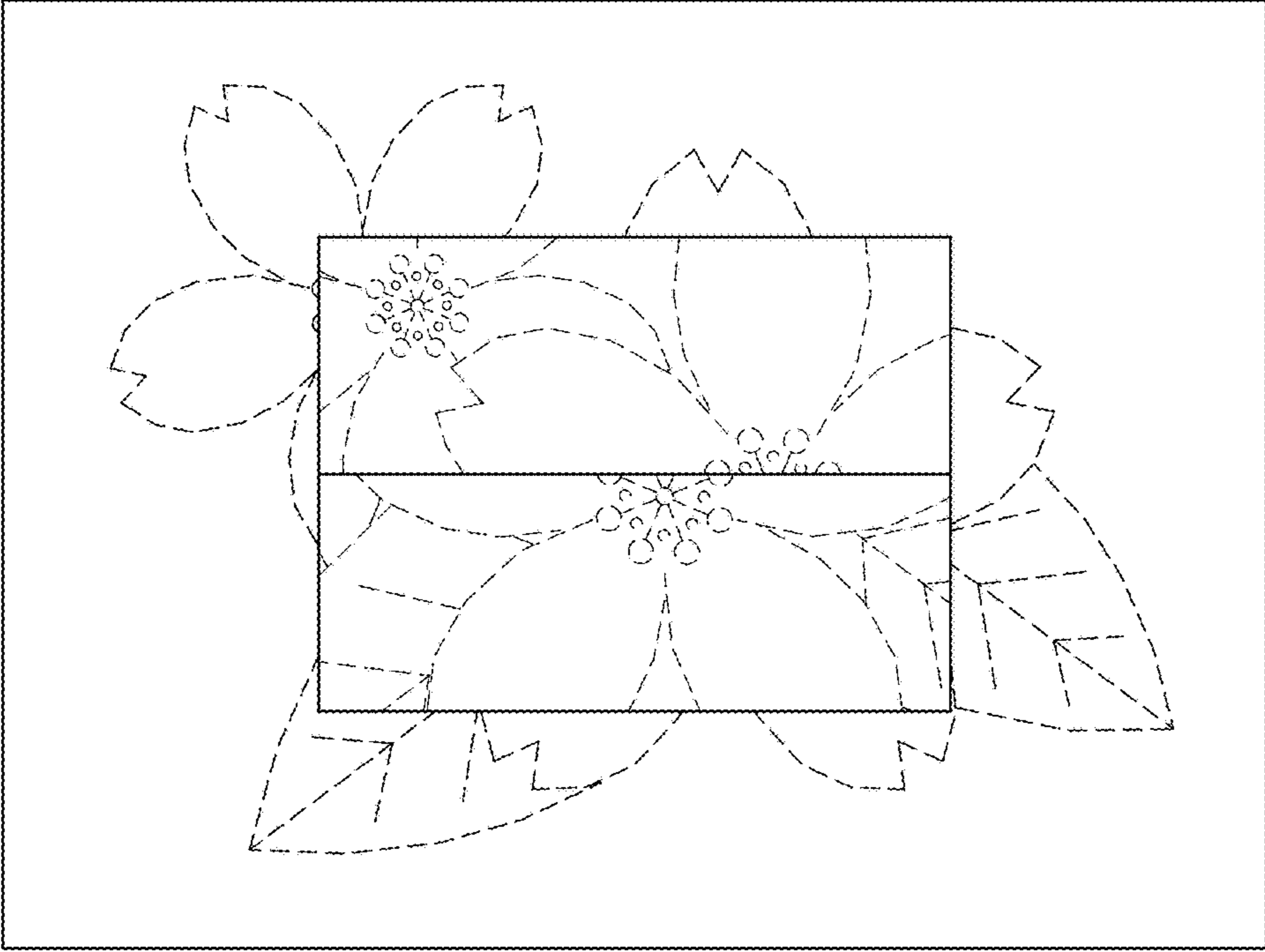


FIG. 9

