



US00D778916S

(12) **United States Design Patent** (10) **Patent No.:** **US D778,916 S**
Li (45) **Date of Patent:** **** Feb. 14, 2017**

(54) **SUPPORTING STAND FOR MOBILE COMPUTER**

(71) Applicant: **Getac Technology Corporation,**
Hsinchu County (TW)

(72) Inventor: **Chun-Hsing Li,** Taipei (TW)

(73) Assignee: **GETAC TECHNOLOGY CORPORATION,** Hsinchu County (TW)

(**) Term: **15 Years**

(21) Appl. No.: **29/544,686**

(22) Filed: **Nov. 5, 2015**

(51) **LOC (10) Cl.** **08-07**

(52) **U.S. Cl.**
USPC **D14/447**

(58) **Field of Classification Search**
USPC D14/447, 432, 434, 439, 440, 451, 452,
D14/457, 239, 344; D8/363, 373, 380;
D6/406.3, 406.4, 406.5, 406.6; D12/415
(Continued)

(56) **References Cited**

U.S. PATENT DOCUMENTS

D323,435 S * 1/1992 Palacios D2/861
D361,070 S * 8/1995 Wall D14/251
(Continued)

Primary Examiner — Angela J Lee

(74) *Attorney, Agent, or Firm* — Locke Lord LLP; Tim Tingkang Xia, Esq.

(57) **CLAIM**

The ornamental design for a supporting stand for mobile computer, as shown and described.

DESCRIPTION

FIG. 1 is a top front left perspective view showing a first embodiment of my new design;

FIG. 2 is a top rear right perspective view showing a first embodiment of my new design;

FIG. 3 is a bottom rear left perspective view showing a first embodiment of my new design;

FIG. 4 is a front view of the first embodiment of my new design;

FIG. 5 is a rear view of the first embodiment of my new design;

FIG. 6 is a left side view of the first embodiment of my new design;

FIG. 7 is a right side view of the first embodiment of my new design;

FIG. 8 is a top view of the first embodiment of my new design;

FIG. 9 is a bottom view of the first embodiment of my new design;

FIG. 10 is a top front left perspective view of the first embodiment of my new design to the folded state;

FIG. 11 is a top front left perspective view of the first embodiment of my new design with a bulletproof vest and mobile computer;

FIG. 12 is a top front left perspective view showing a second embodiment of my new design;

FIG. 13 is a top rear right perspective view showing a second embodiment of my new design;

FIG. 14 is a bottom rear left perspective view showing a second embodiment of my new design;

FIG. 15 is a front view of the second embodiment of my new design;

FIG. 16 is a rear view of the second embodiment of my new design;

FIG. 17 is a left side view of the second embodiment of my new design;

FIG. 18 is a right side view of the second embodiment of my new design;

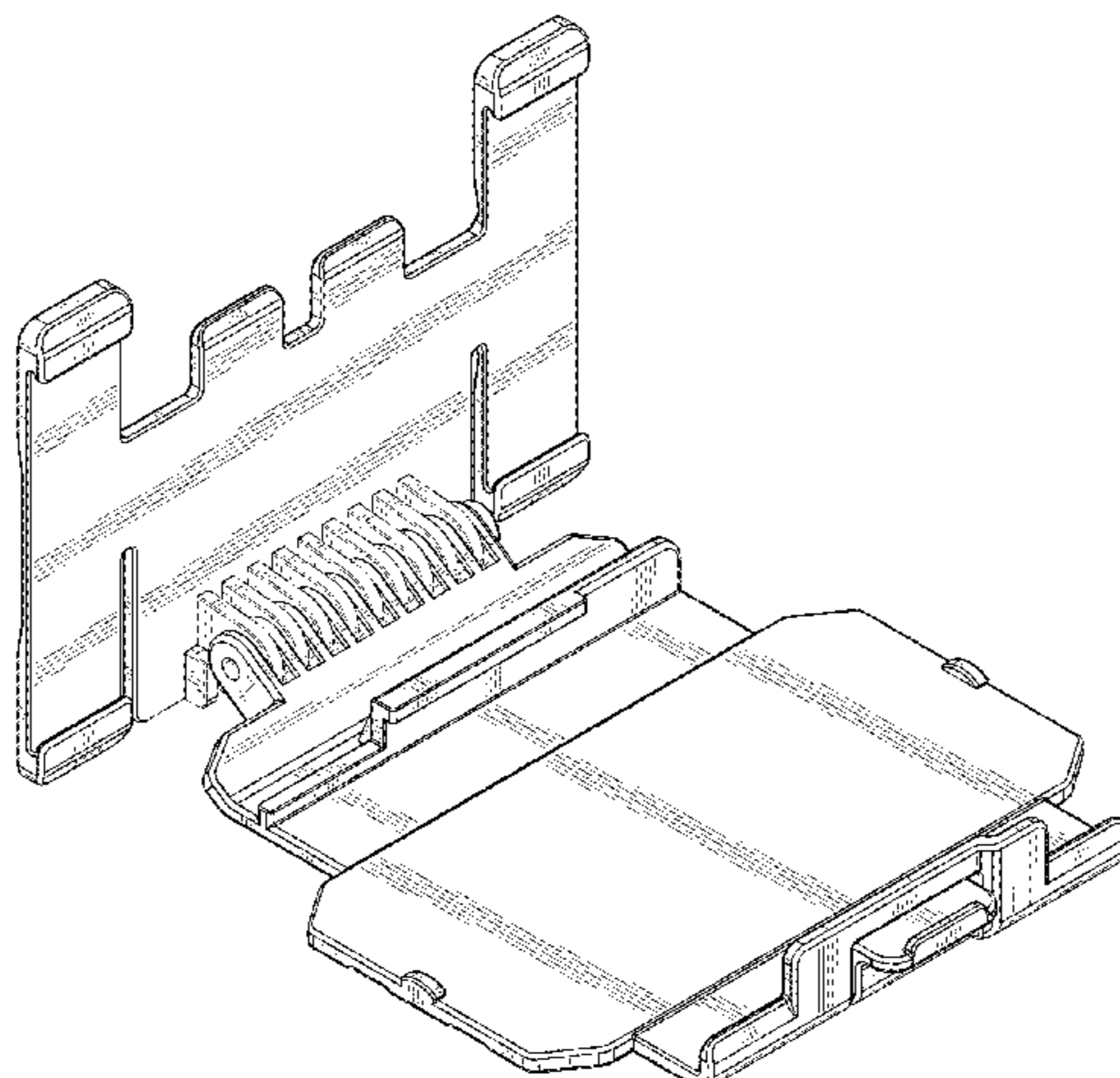
FIG. 19 is a top view of the second embodiment of my new design;

FIG. 20 is a bottom view of the second embodiment of my new design;

FIG. 21 is a top front right perspective view of the second embodiment of my new design to the folded state; and,

FIG. 22 is a top front right perspective view of the second embodiment of my new design with a bulletproof vest and mobile computer.

(Continued)



The broken lines shown in the drawings represent portions of the supporting stand for mobile computer that form no part of the claimed design.

1 Claim, 22 Drawing Sheets

(58) **Field of Classification Search**

CPC A47B 21/04; A47B 2097/006; A47B
2097/005; A47B 2023/049; A45C
2011/002; A45C 2011/003; F16M
2200/00; F16M 13/00

See application file for complete search history.

(56) **References Cited**

U.S. PATENT DOCUMENTS

D483,961 S * 12/2003 Hasz D6/406.3
D667,012 S * 9/2012 Chen D14/447
D676,055 S * 2/2013 Izen D14/447
D697,516 S * 1/2014 Feldstein H04L 12/282
D14/447
D703,673 S * 4/2014 Kittlaus D14/447
D711,889 S * 8/2014 Ritchey D14/447
2004/0200870 A1 * 10/2004 Haber A45F 3/14
224/259
2007/0051766 A1 * 3/2007 Spencer A45C 11/00
224/607
2009/0272779 A1 * 11/2009 Vu A45F 5/00
224/677
2009/0321490 A1 * 12/2009 Groene A45C 11/00
224/576
2010/0108726 A1 * 5/2010 Hilgenberg A45C 11/00
224/153

* cited by examiner

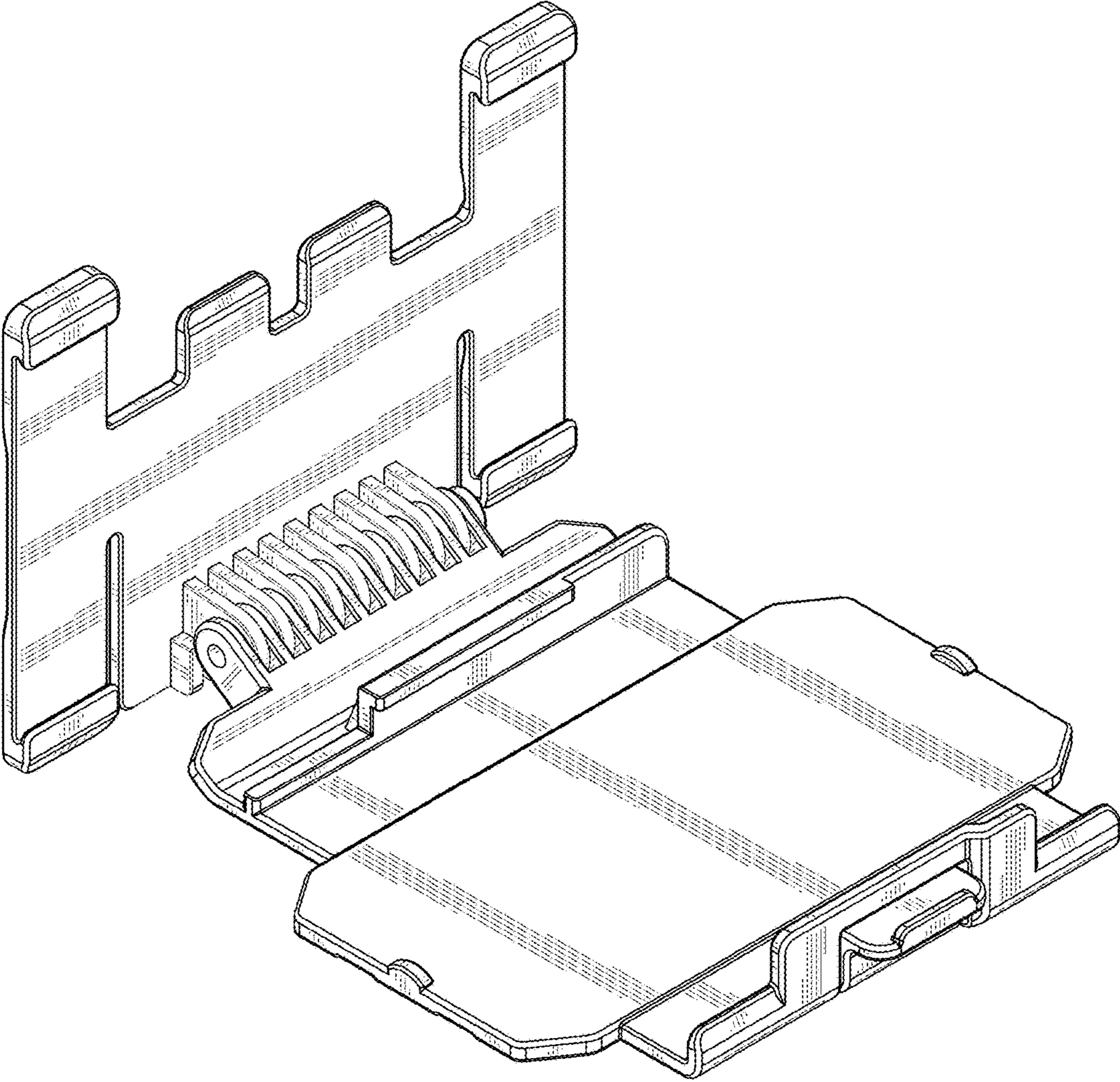


FIG. 1

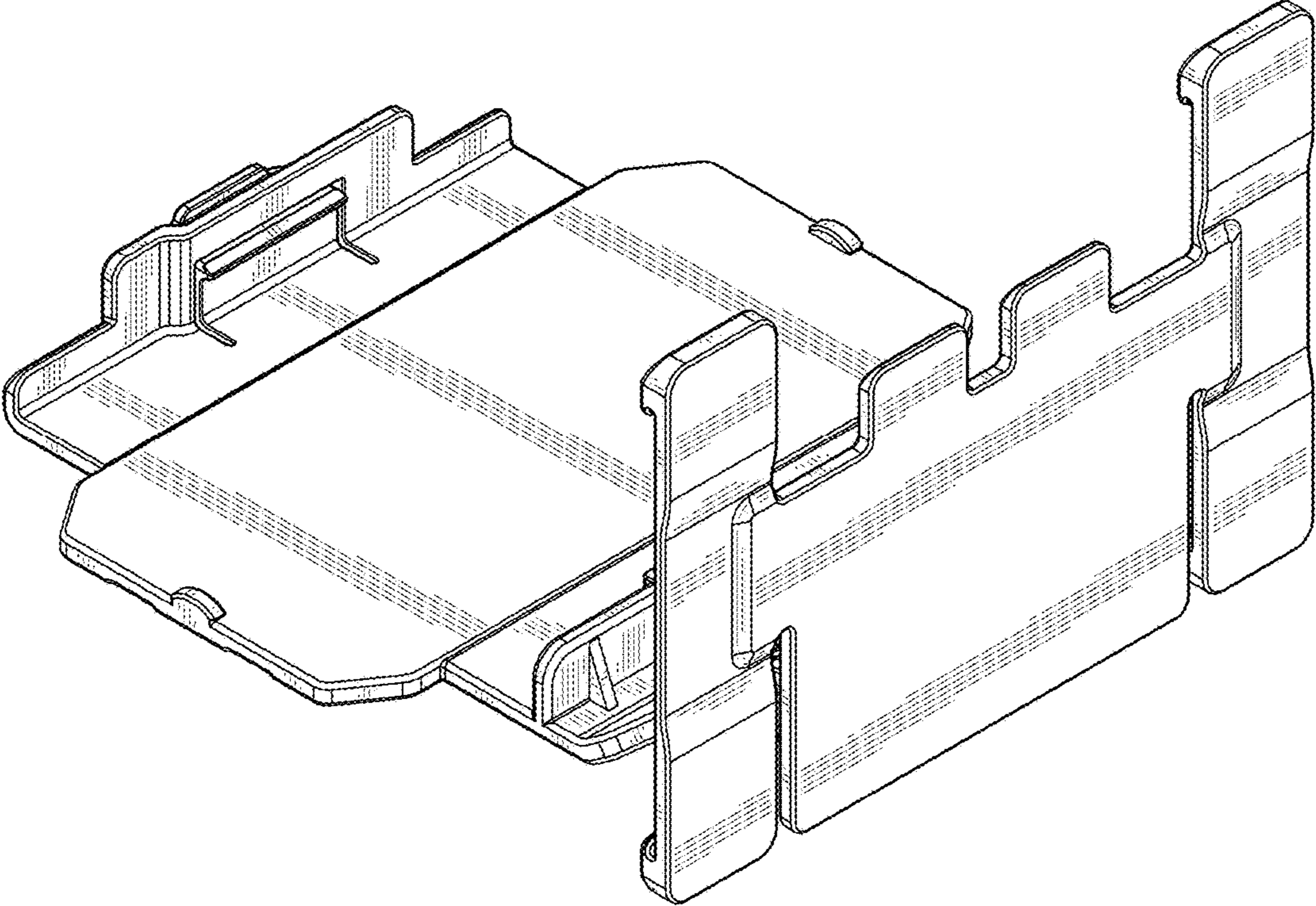


FIG. 2

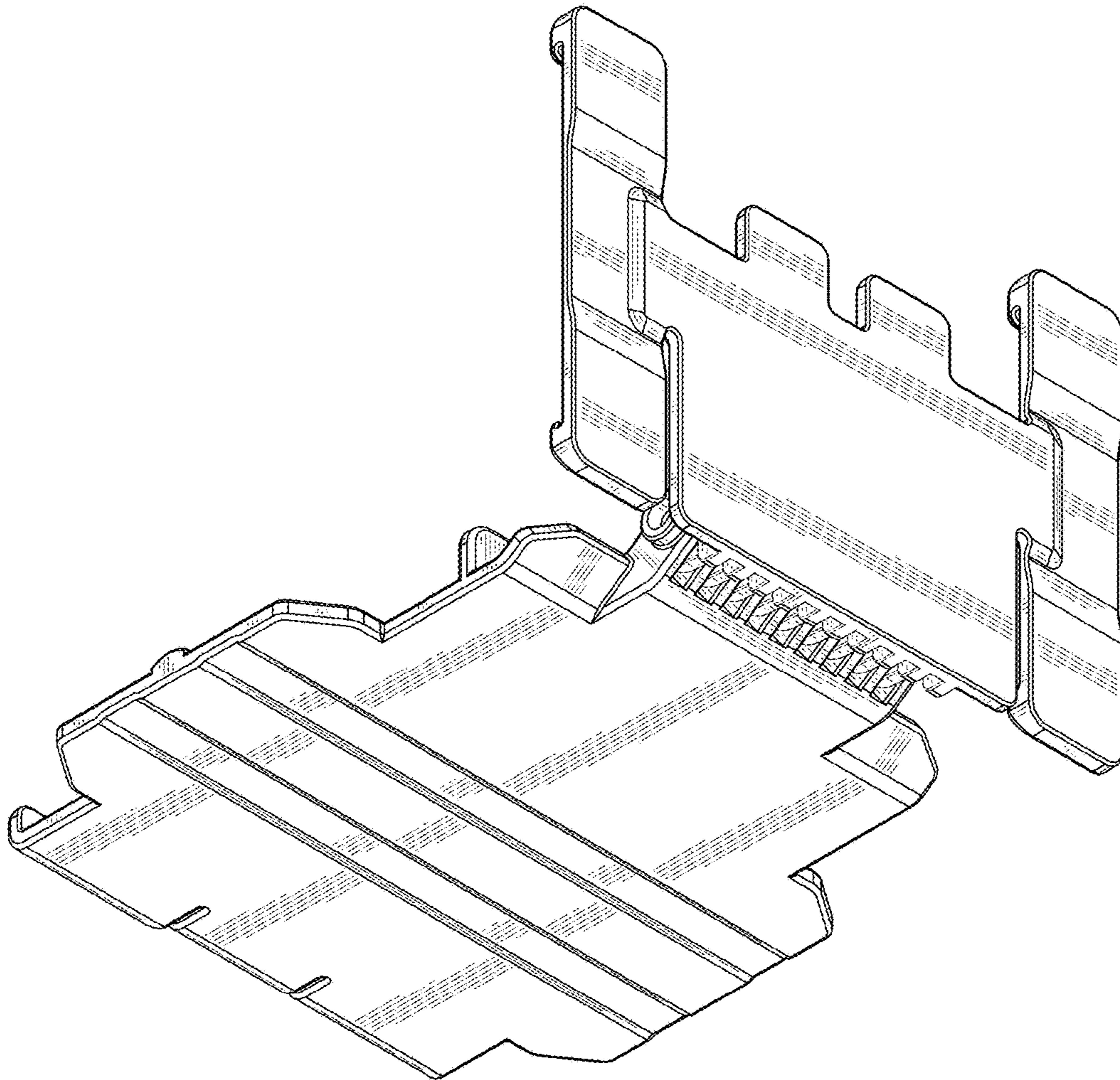


FIG. 3

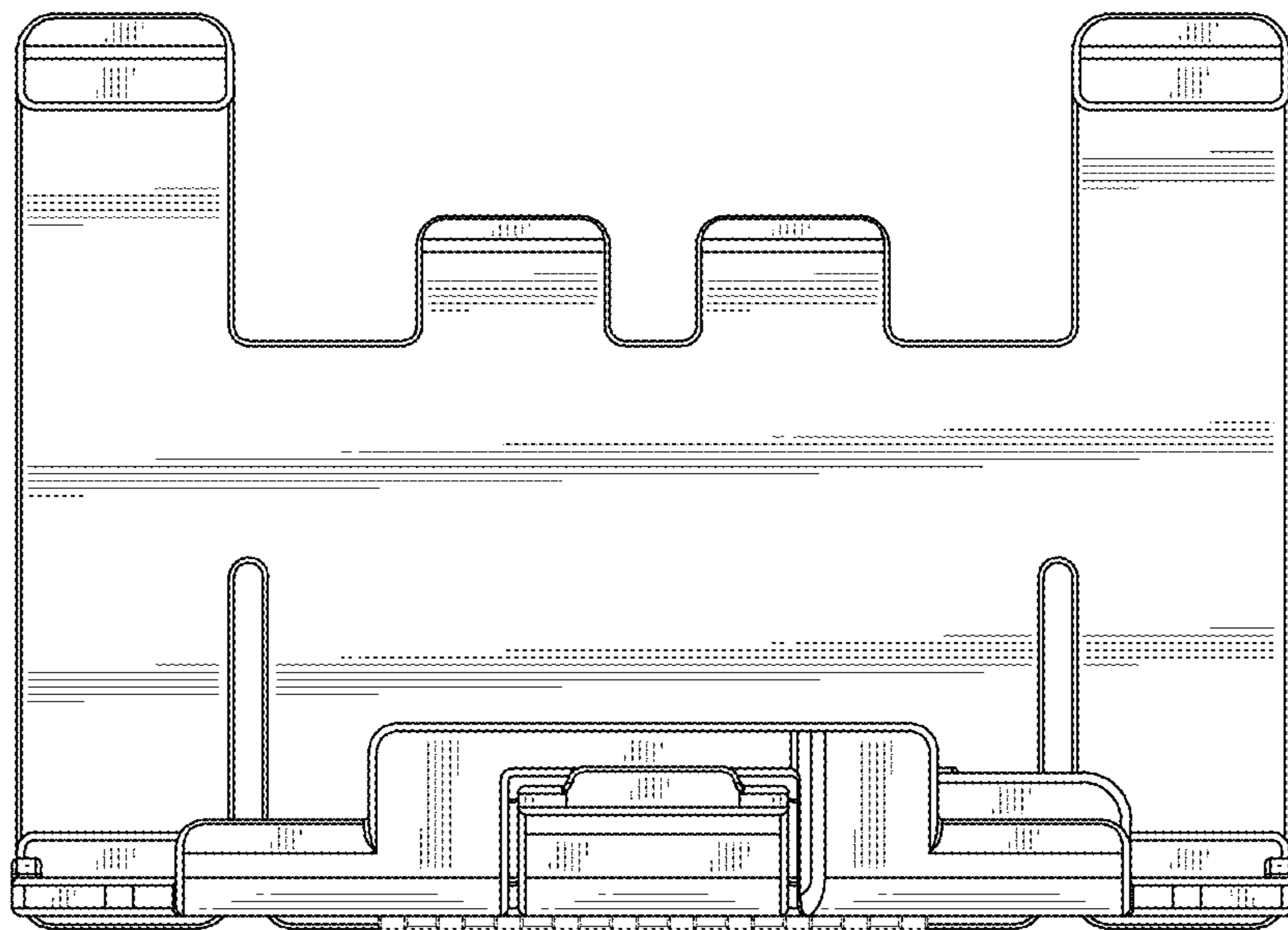


FIG. 4

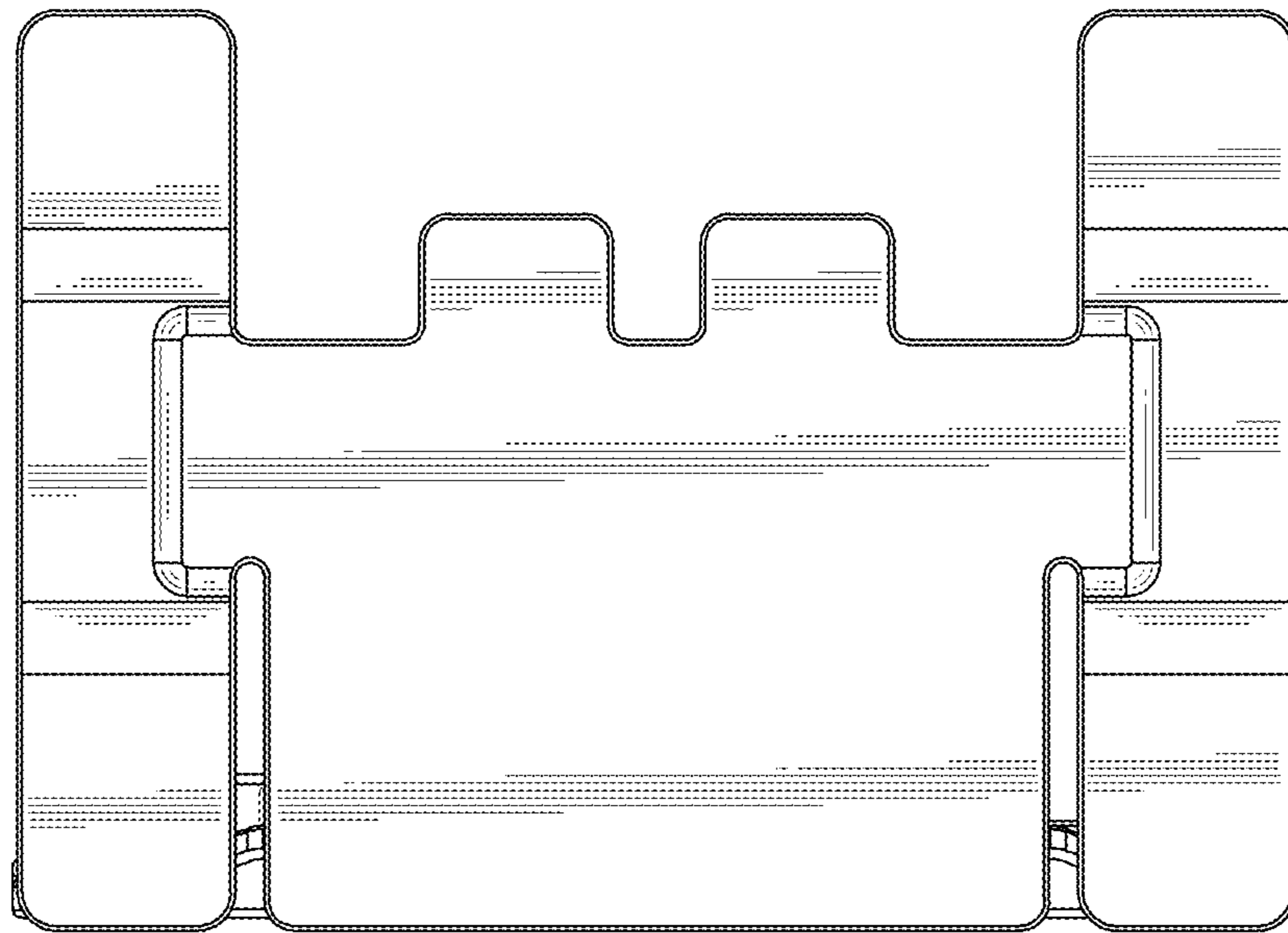


FIG. 5

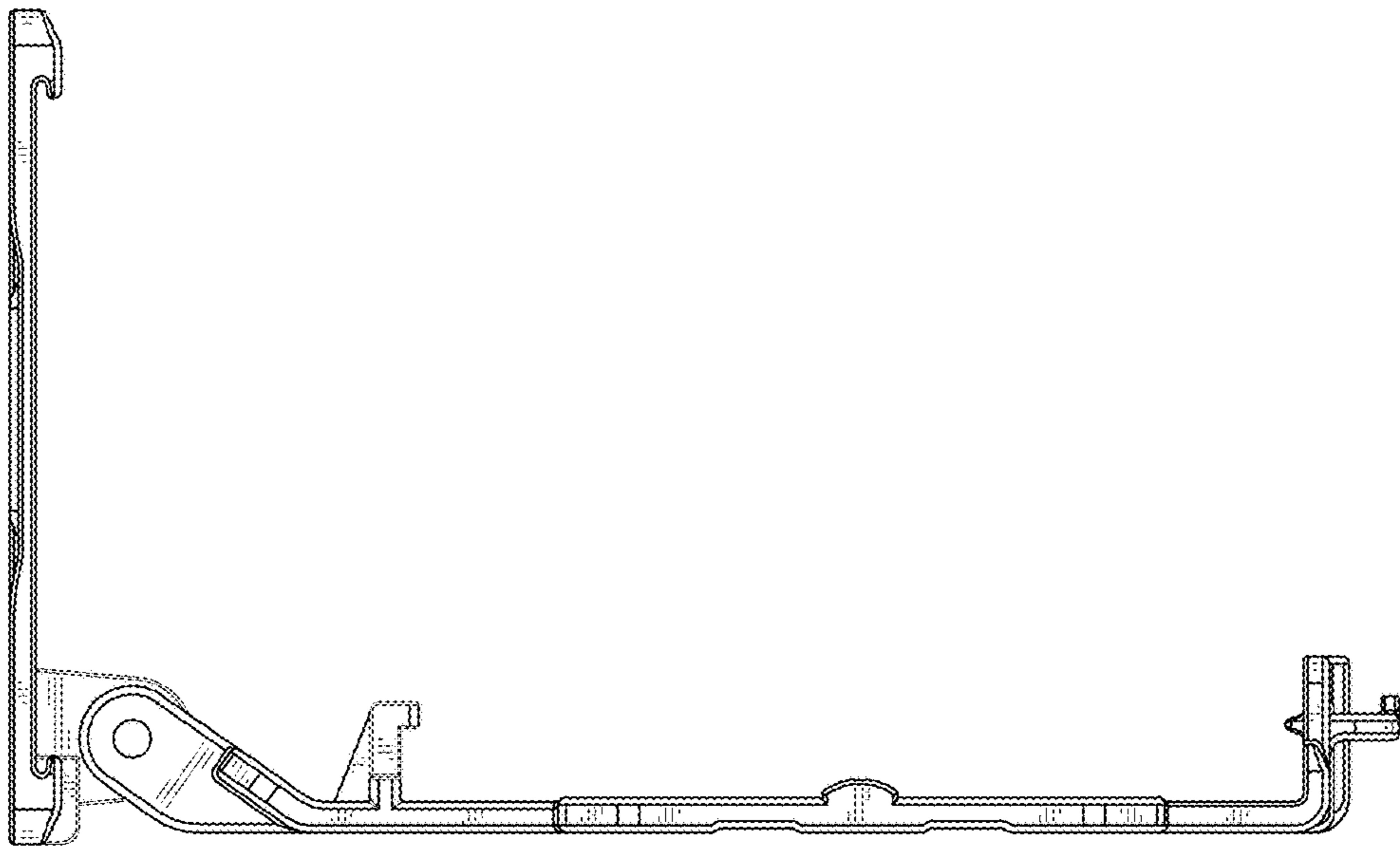


FIG. 6

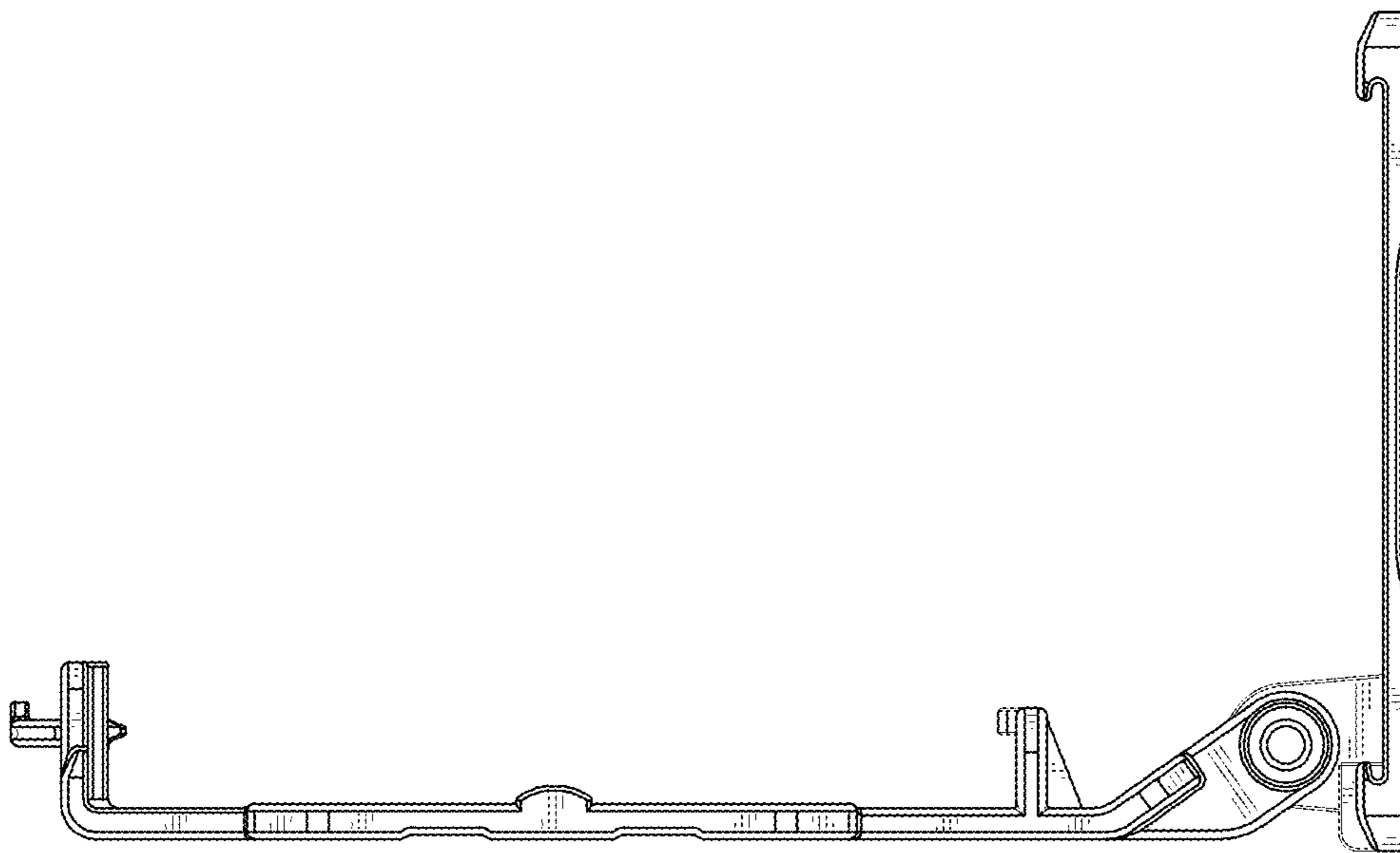


FIG. 7

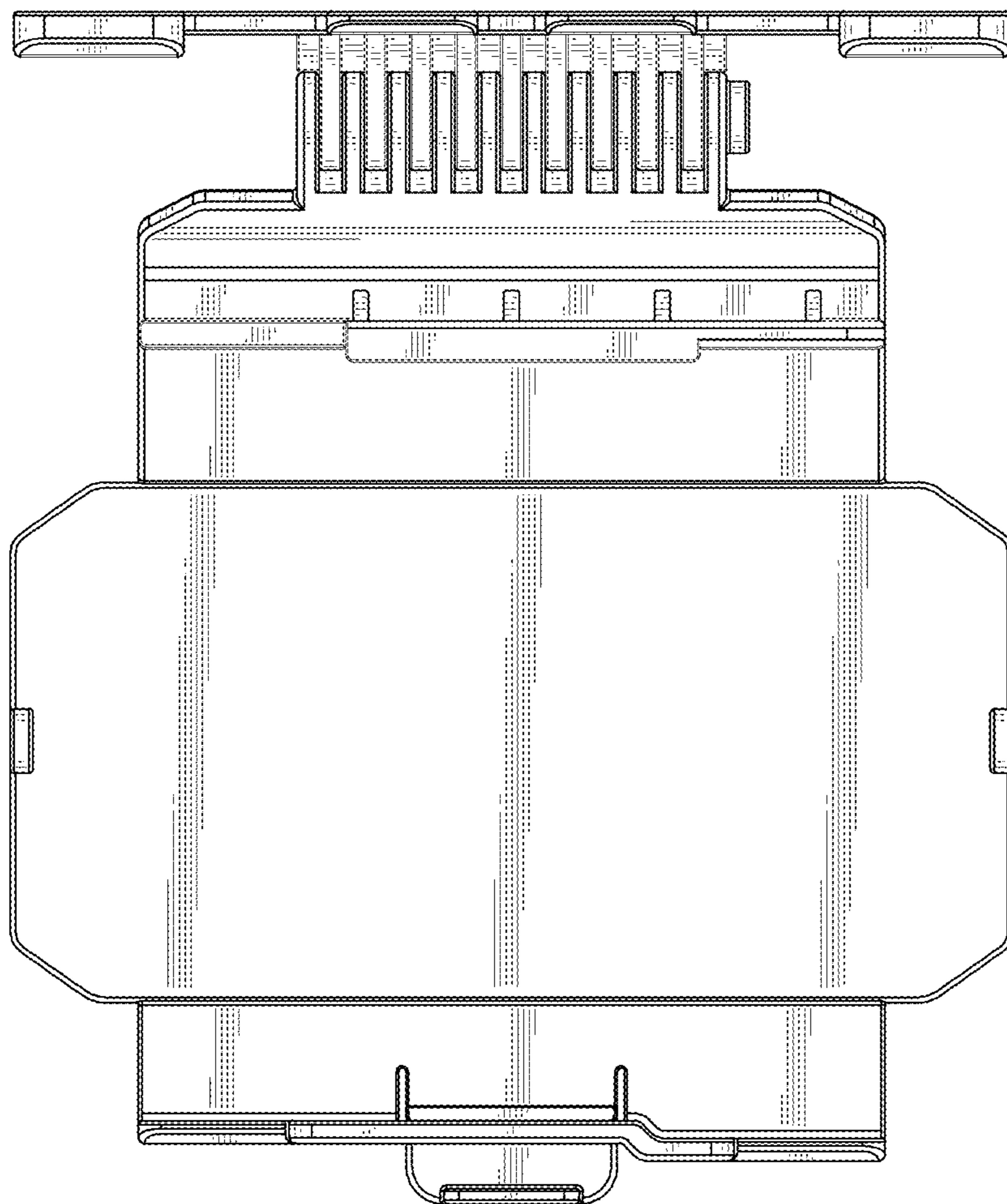


FIG. 8

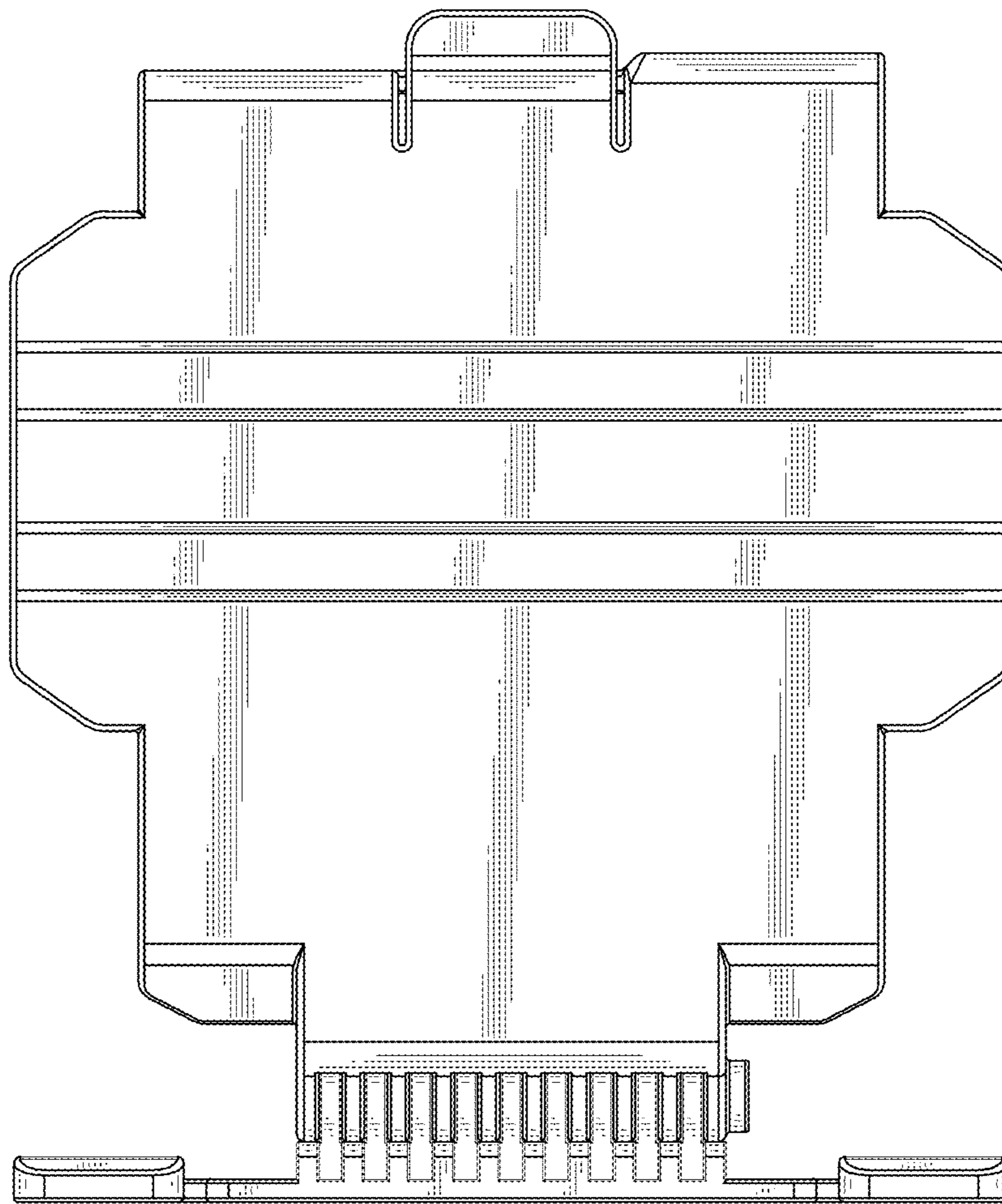


FIG. 9

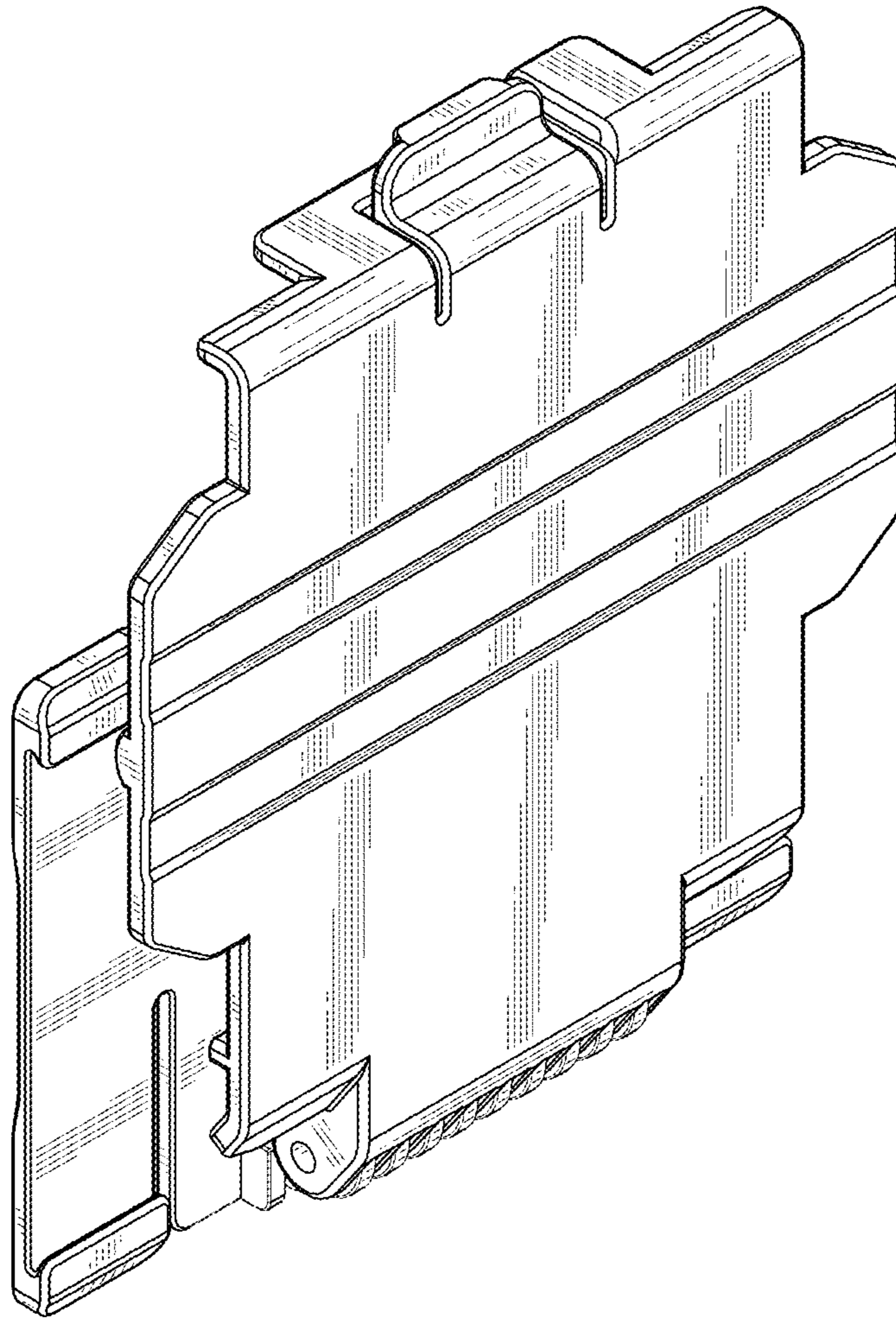


FIG. 10

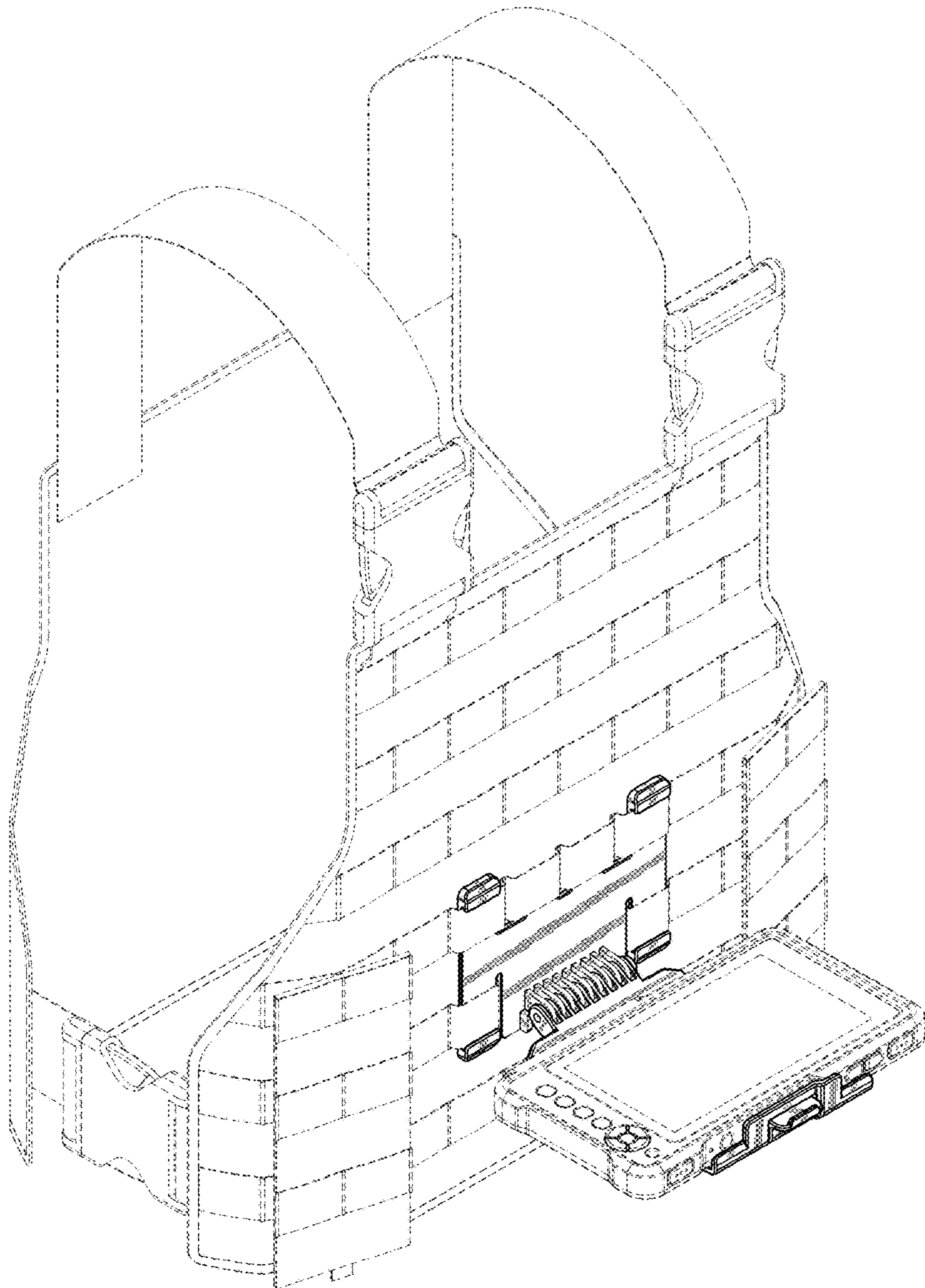


FIG. 11

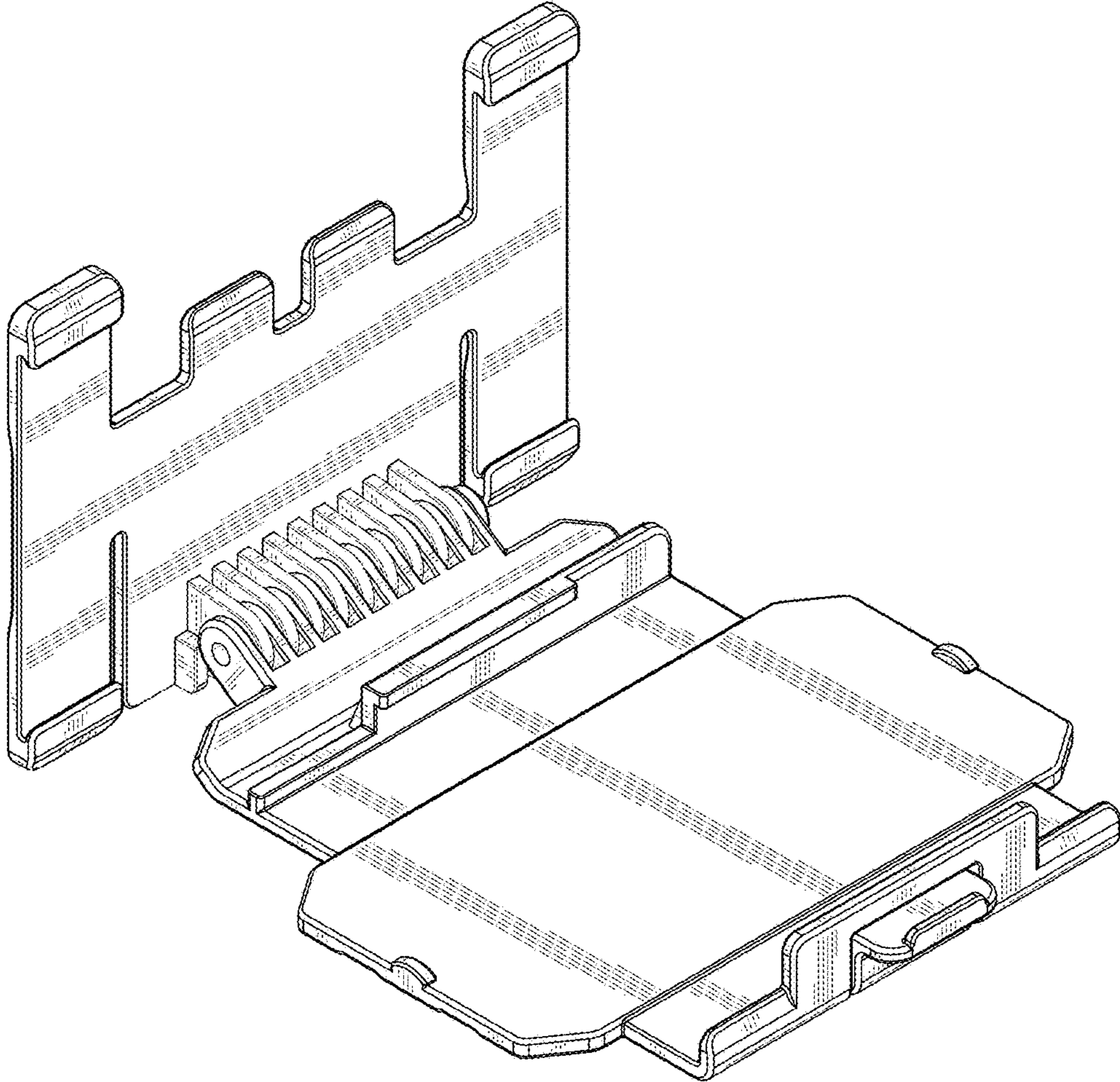


FIG. 12

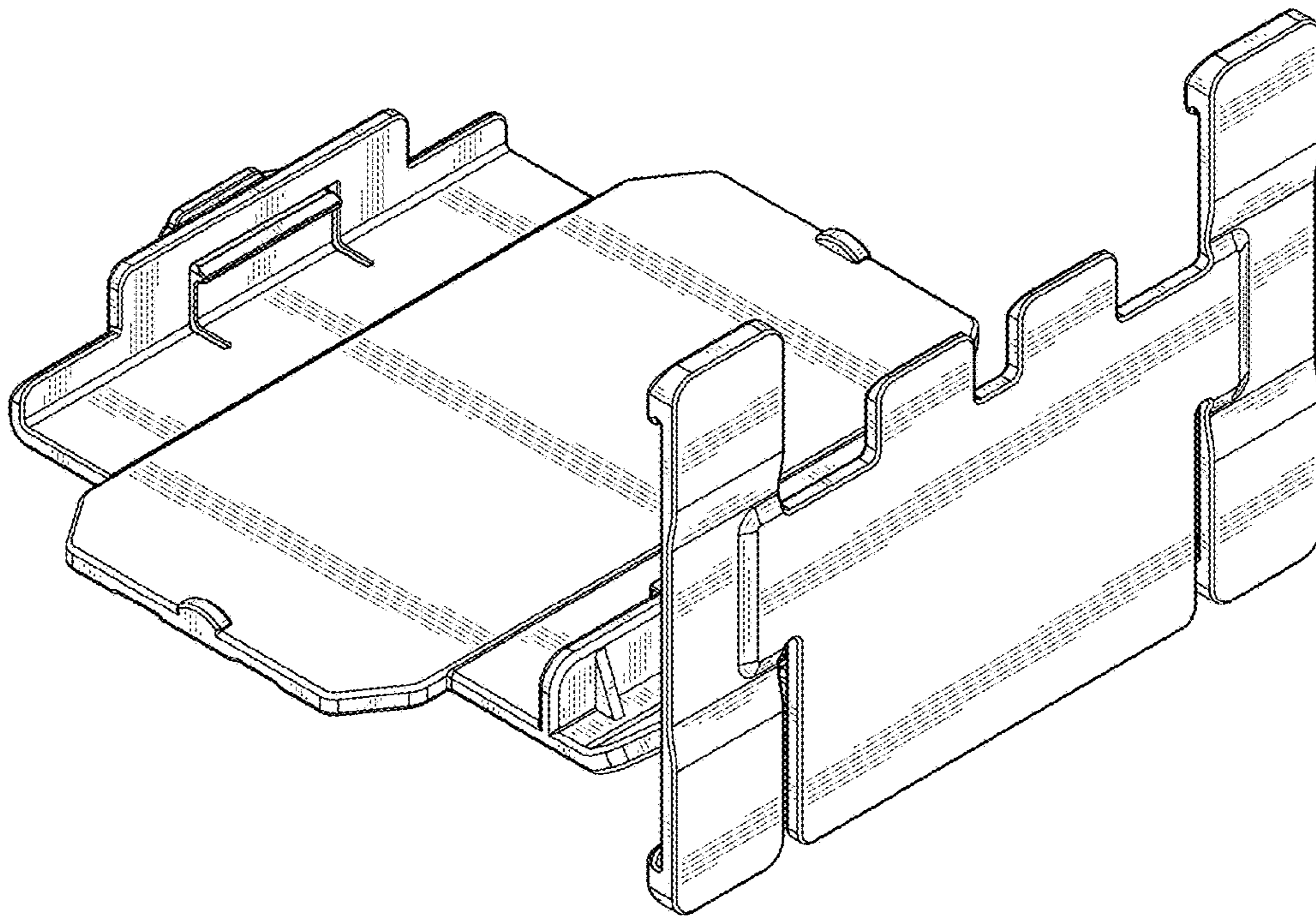


FIG. 13

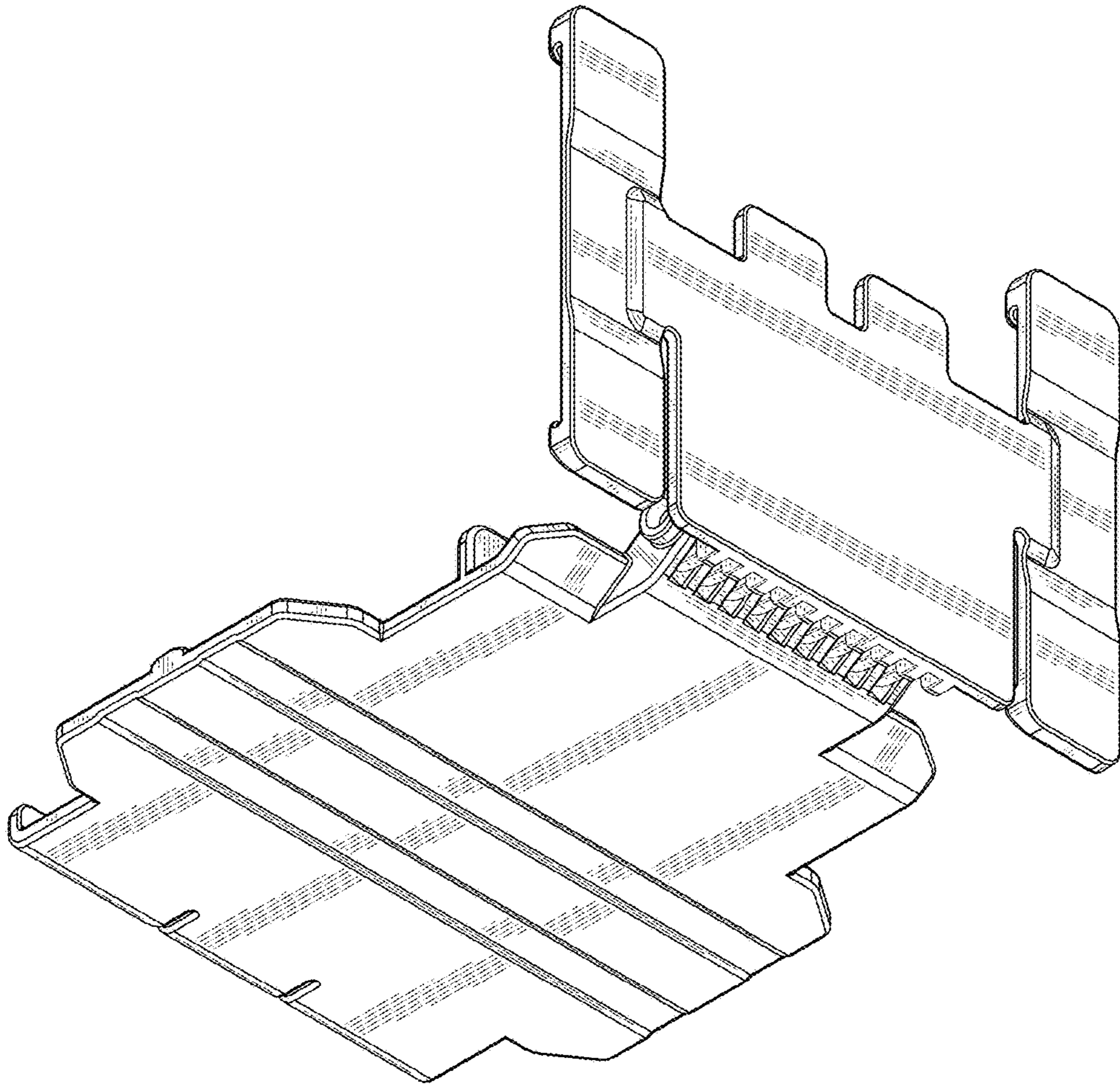


FIG. 14

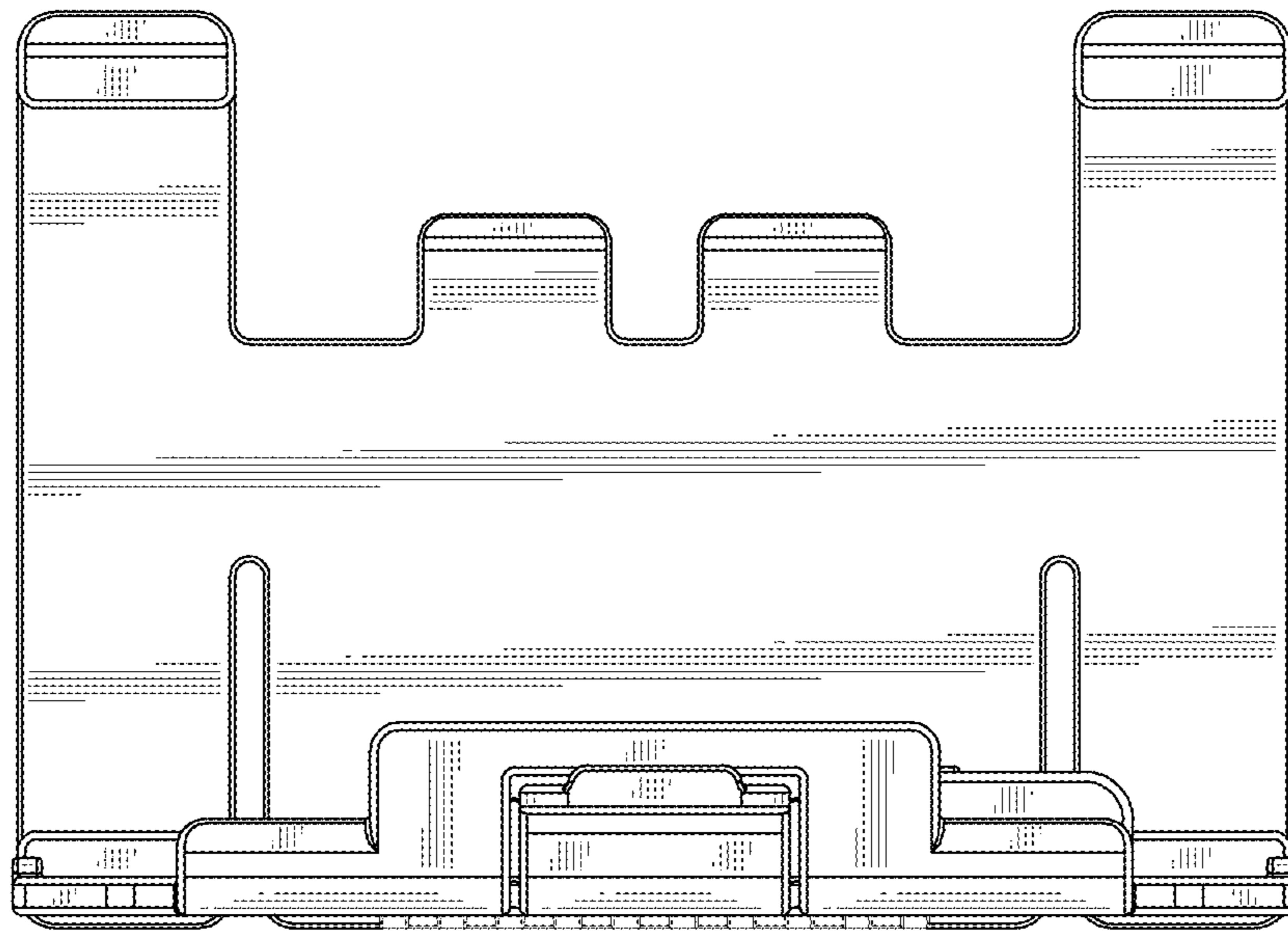


FIG. 15

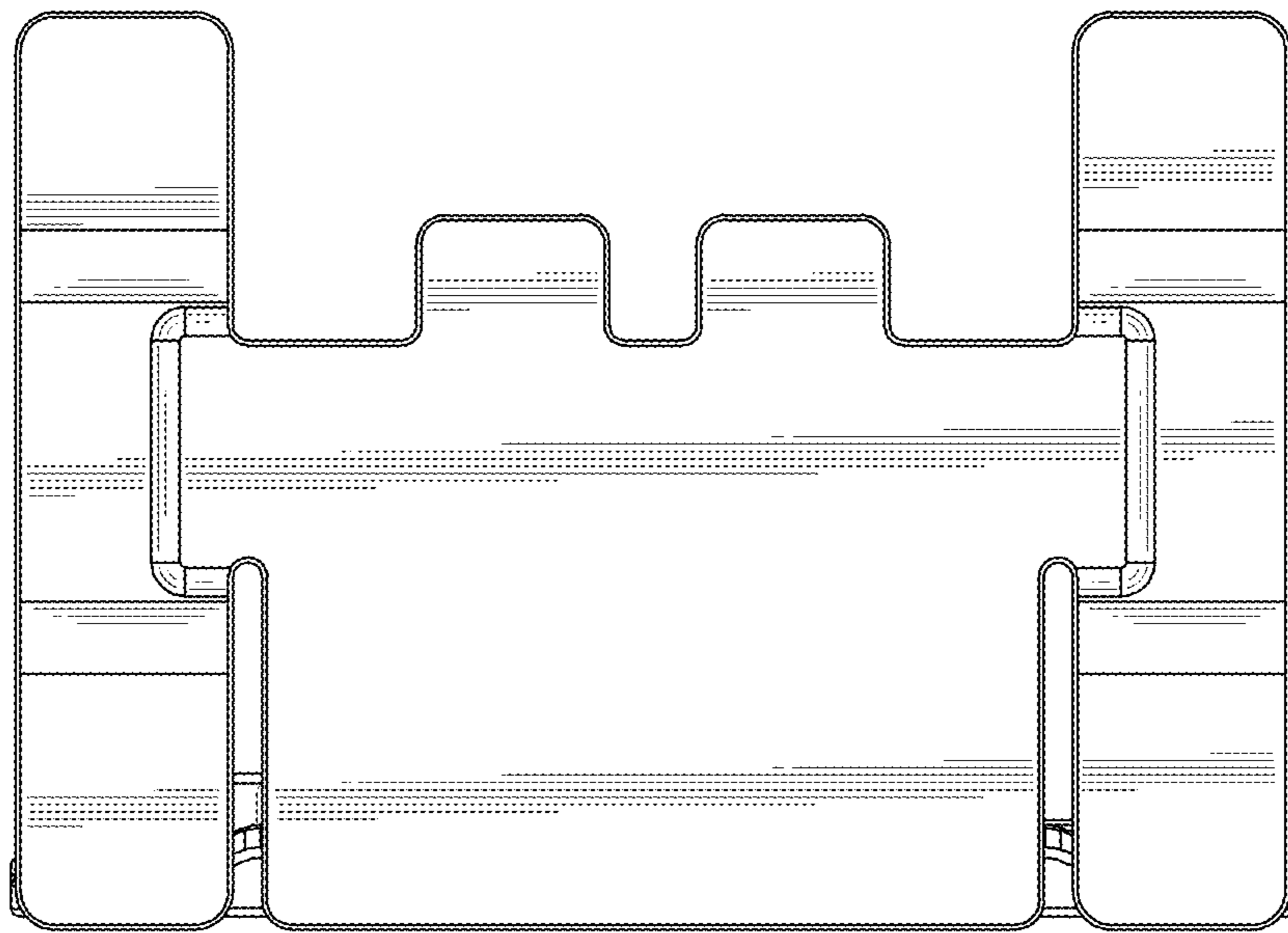


FIG. 16

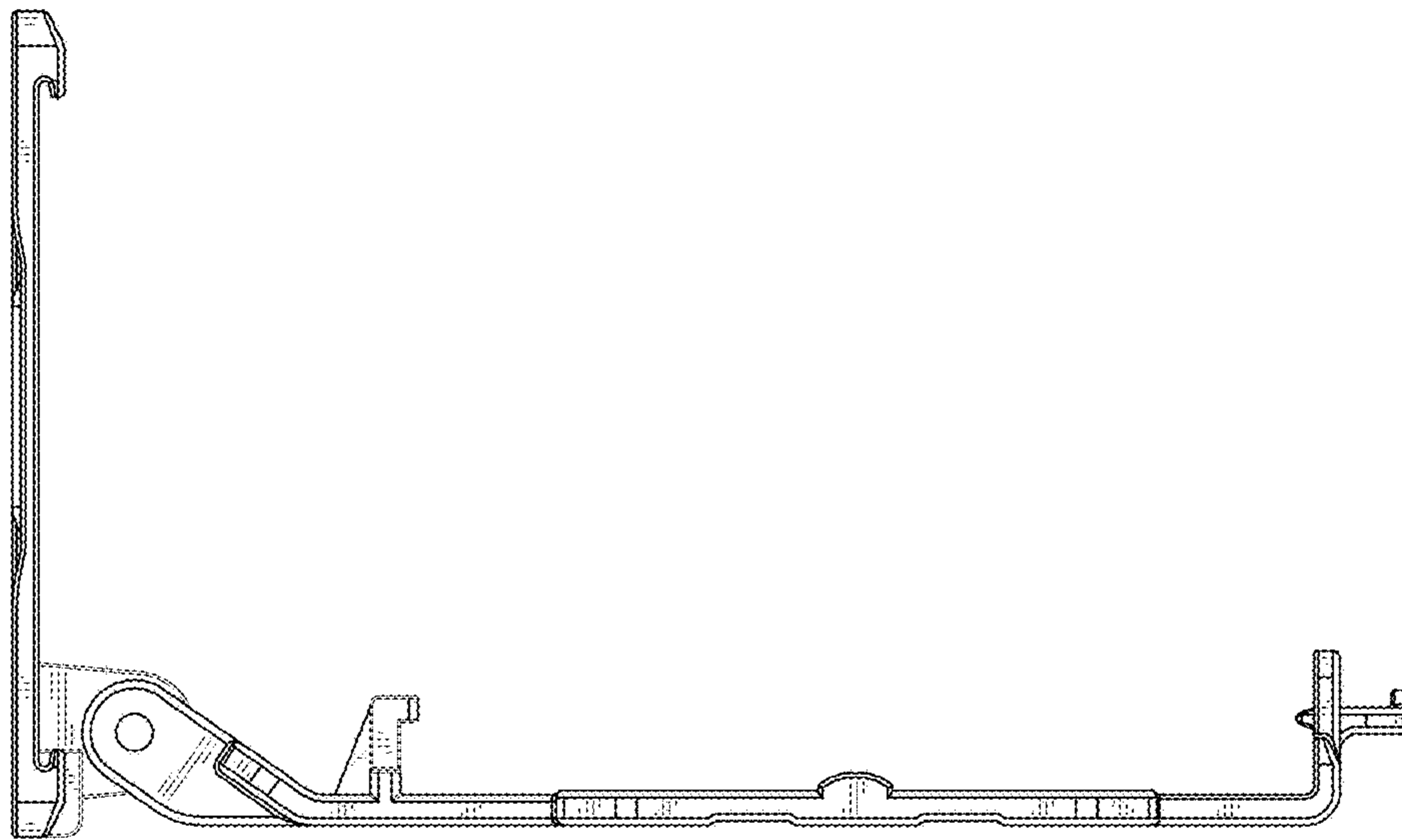


FIG. 17

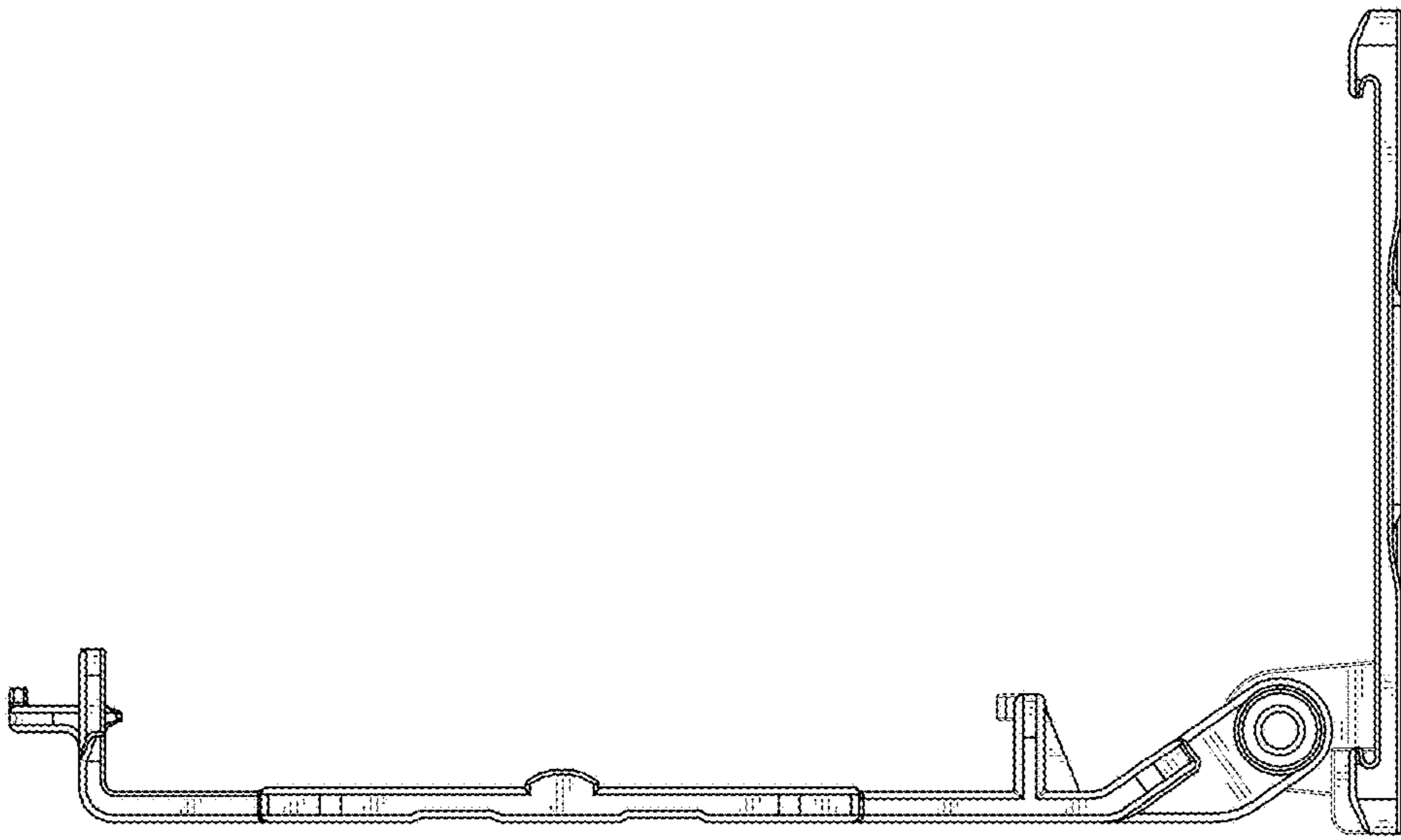


FIG. 18

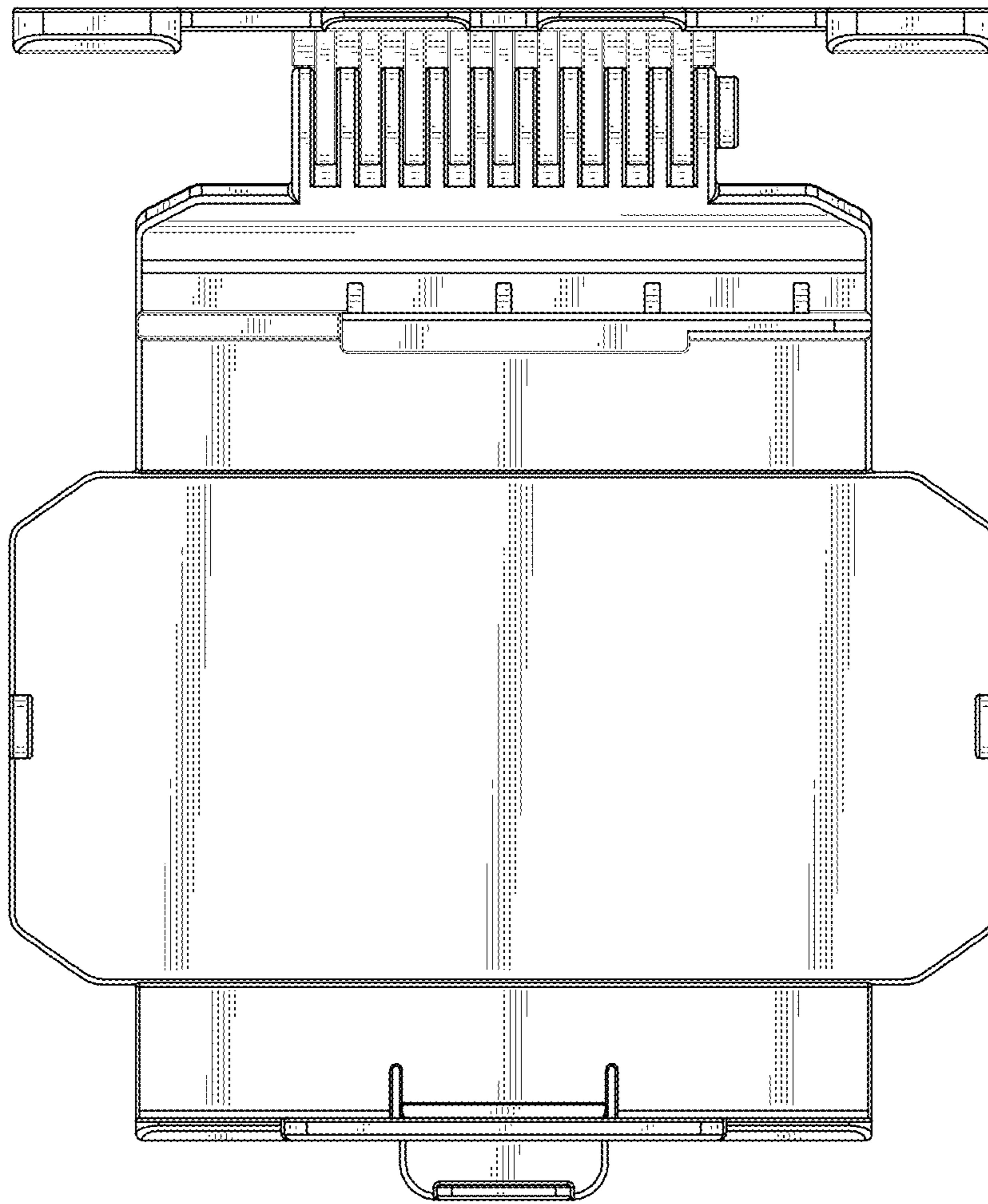


FIG. 19

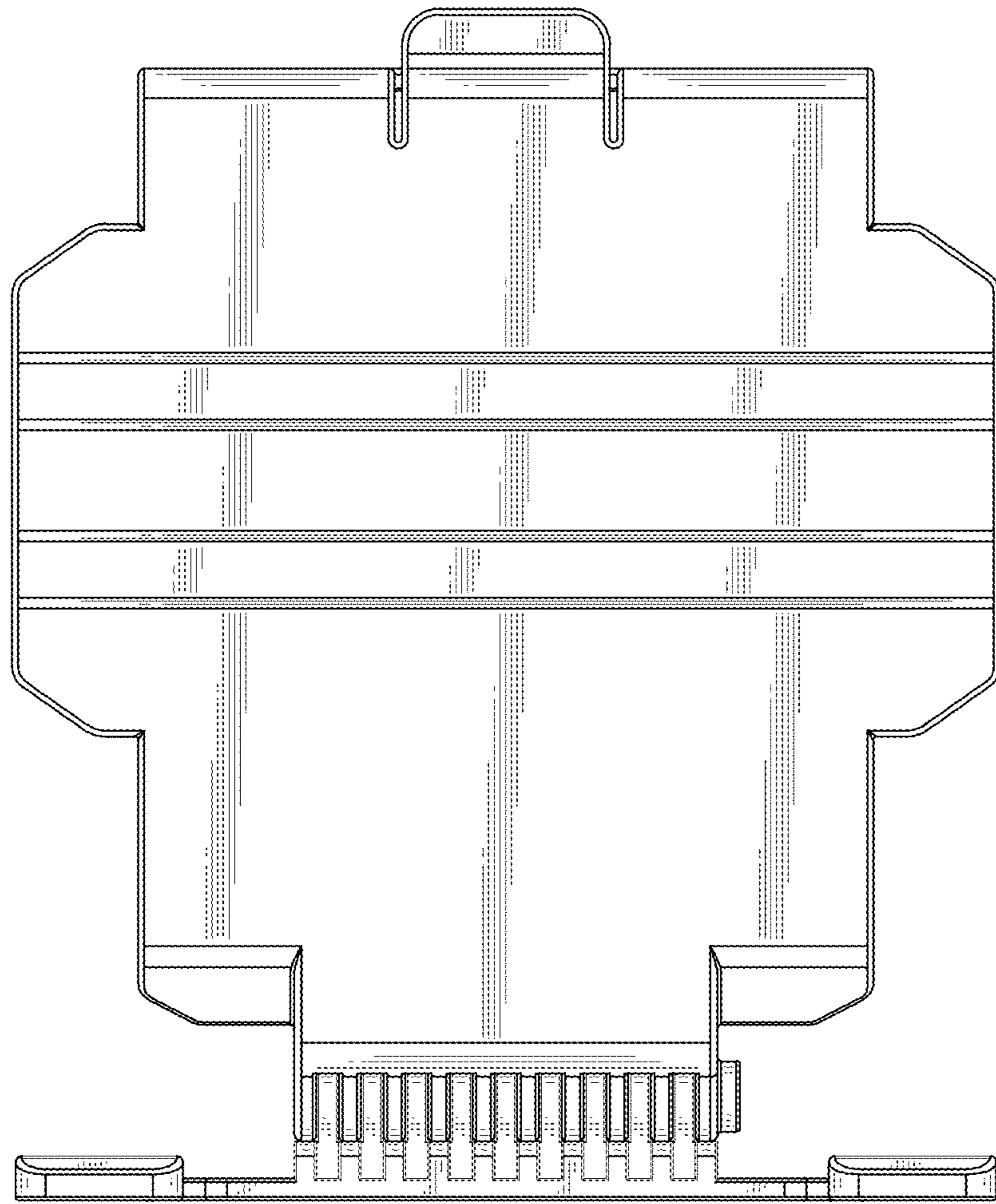


FIG. 20

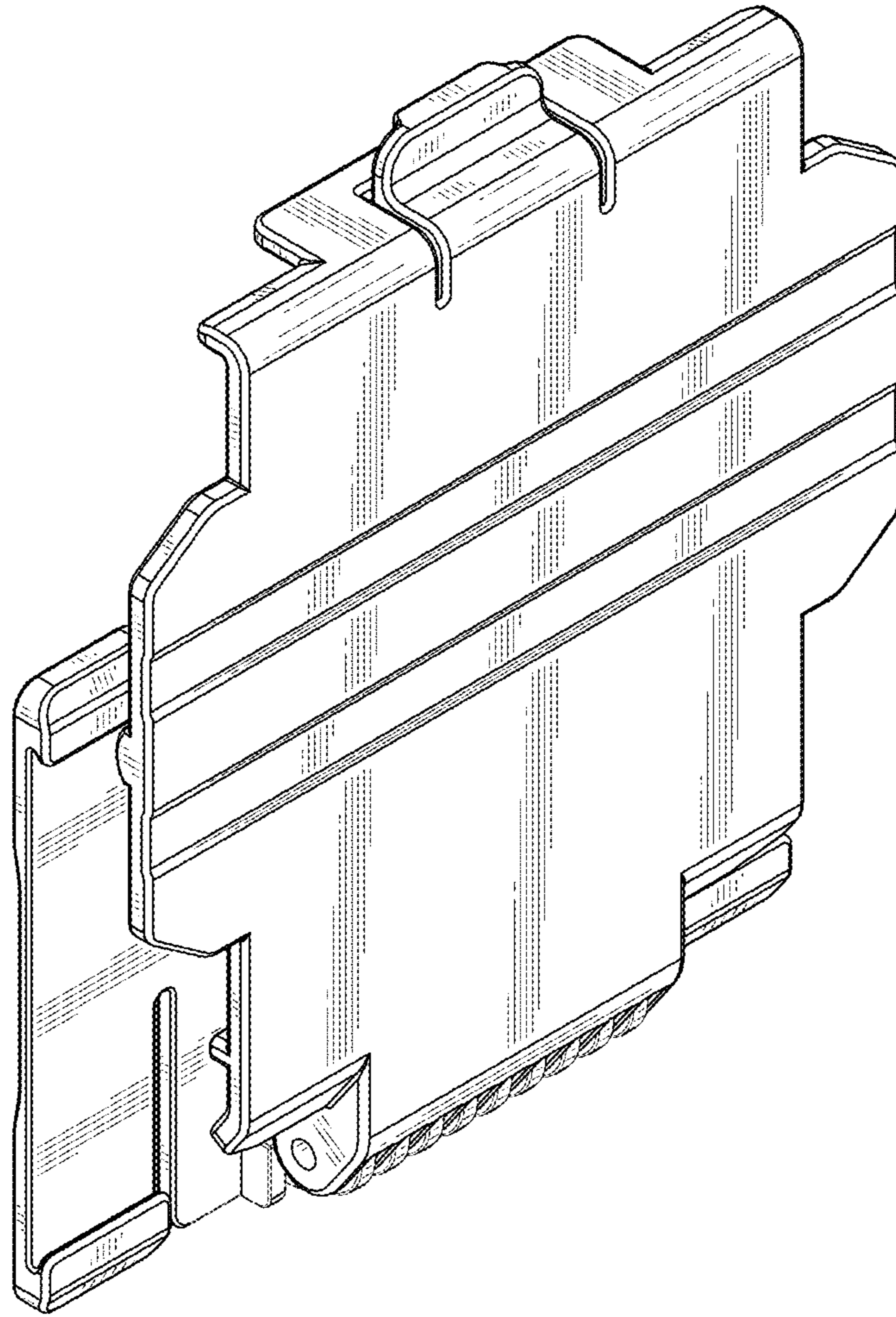


FIG. 21

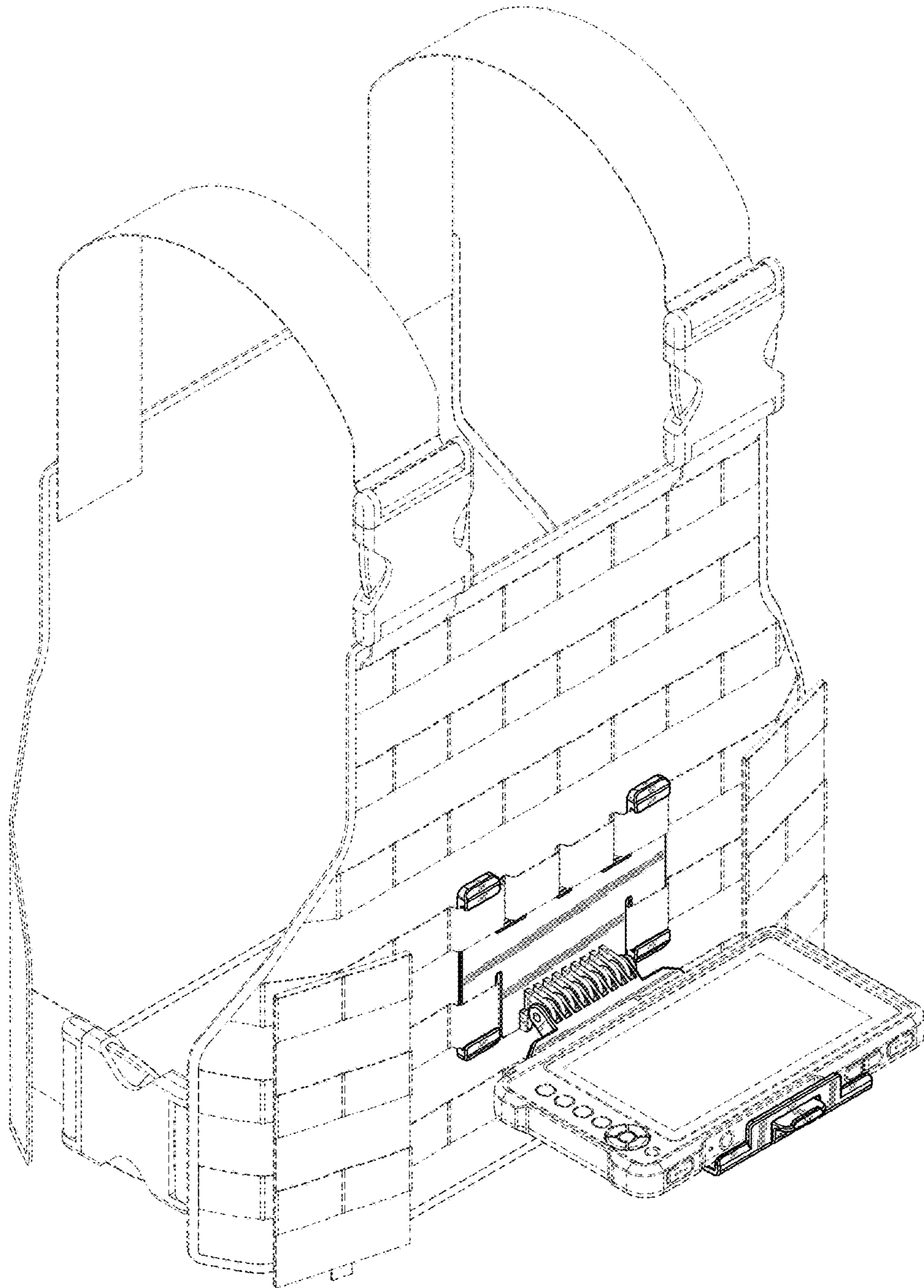


FIG. 22