



US00D778915S

(12) **United States Design Patent** (10) **Patent No.:** **US D778,915 S**  
**Skelton et al.** (45) **Date of Patent:** **\*\* Feb. 14, 2017**

(54) **SHOTGUN SHELL SHAPED PORTABLE USB BATTERY AND CAR CHARGER**

D711,829 S \* 8/2014 Liu ..... D13/144  
D714,293 S \* 9/2014 Kelly ..... D14/433  
D714,727 S \* 10/2014 Cai ..... D13/144  
D717,305 S \* 11/2014 Alesi ..... D14/433  
D720,296 S \* 12/2014 Charnis ..... D13/144  
D722,294 S \* 2/2015 Lee ..... D13/144

(71) Applicant: **NEMO VENTURES, LLC**, Overland Park, KS (US)

\* cited by examiner

(72) Inventors: **Paul Edward Skelton**, Kansas City, MO (US); **Robert S. Cutler**, Leawood, KS (US); **Bryan Mitchell Sedey**, Kansas City, MO (US); **James Sigmund Gerson**, Kansas City, MO (US)

*Primary Examiner* — Angela J Lee

(74) *Attorney, Agent, or Firm* — Pillsbury Winthrop Shaw Pittman LLP

(73) Assignee: **NEMO VENTURES, LLC**, Overland Park, KS (US)

(57) **CLAIM**

The ornamental design for a shotgun shell shaped portable USB battery and car charger, as shown and described.

(\*\*) Term: **15 Years**

**DESCRIPTION**

(21) Appl. No.: **29/542,938**

(22) Filed: **Oct. 19, 2015**

(51) **LOC (10) Cl.** ..... **14-03**

(52) **U.S. Cl.**  
USPC ..... **D14/435.1**

(58) **Field of Classification Search**  
USPC ..... D14/435.1, 480.1–480.7, 411, 433, 436, D14/484.1, 137, 155, 203.1–203.8, 240, D14/242; D13/133, 154, 144  
CPC ..... H05K 5/0278; G06K 19/07732  
See application file for complete search history.

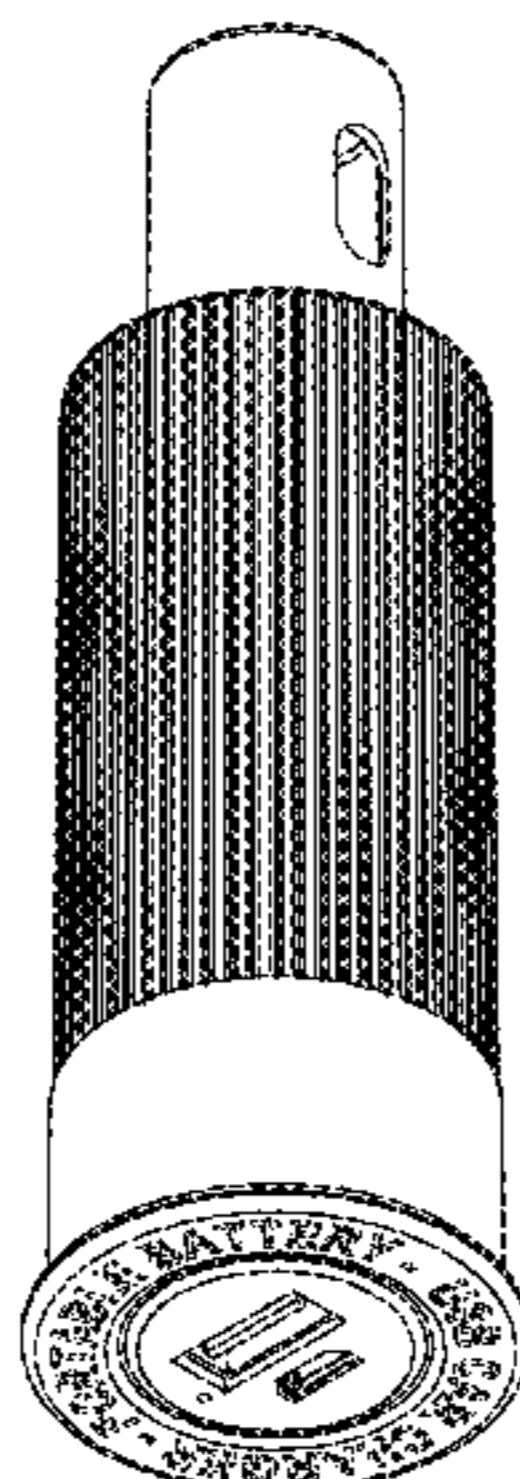
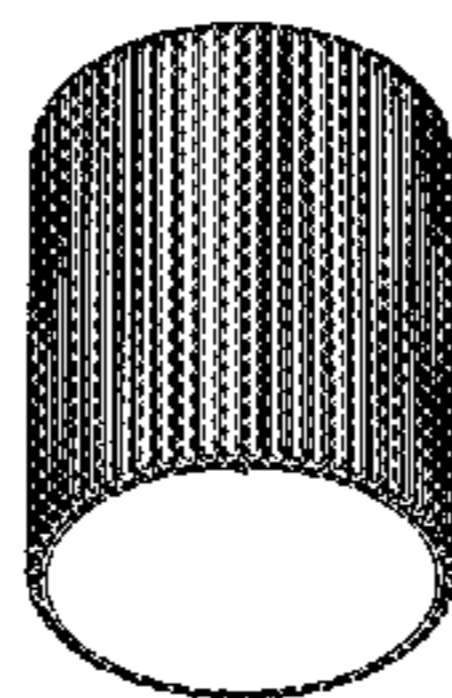
FIG. 1 is a front view of the shotgun shell shaped portable USB battery and car charger (may be same as back view); FIG. 2 is a right-side view of the shotgun shell shaped portable USB battery and car charger; FIG. 3 is a left-side view of the shotgun shell shaped portable USB battery and car charger; FIG. 4 is a top-side view of the shotgun shell shaped portable USB battery and car charger; FIG. 5 is a bottom-side view of the shotgun shell shaped portable USB battery and car charger; FIG. 6 is a perspective view from top, front, and right side of the shotgun shell shaped portable USB battery and car charger; FIG. 7 is a perspective view in an opened configuration from top, front, and right side of the shotgun shell shaped portable USB battery and car charger; and, FIG. 8 is a perspective view in an opened configuration from bottom, front, and right side of the shotgun shell shaped portable USB battery and car charger. The subject matter in broken lines forms no part of the claimed design.

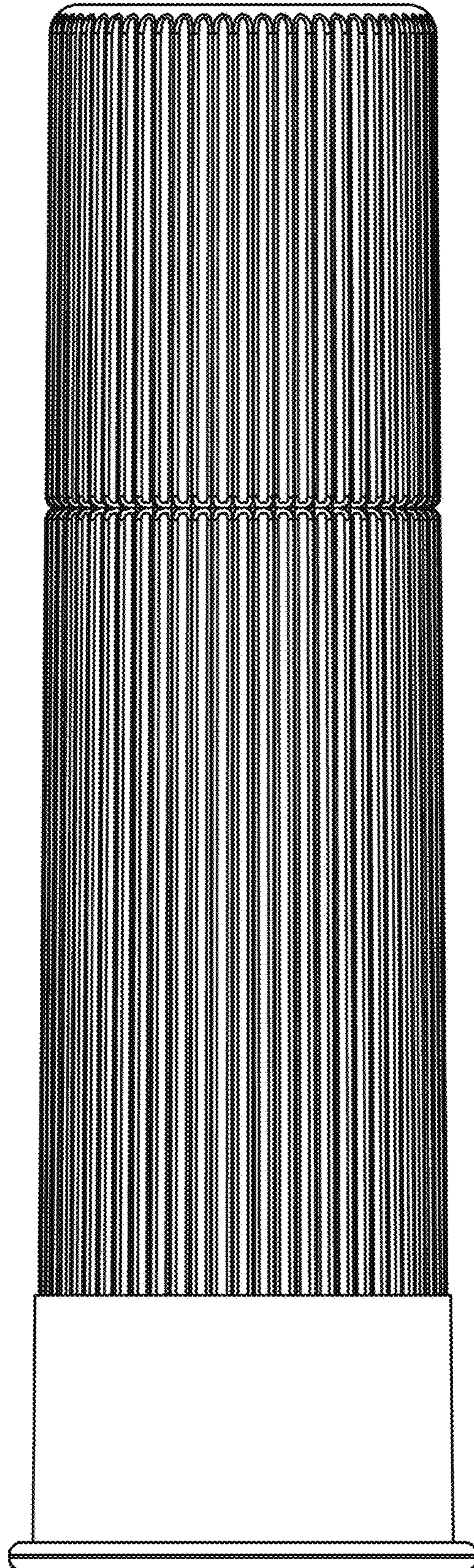
(56) **References Cited**

U.S. PATENT DOCUMENTS

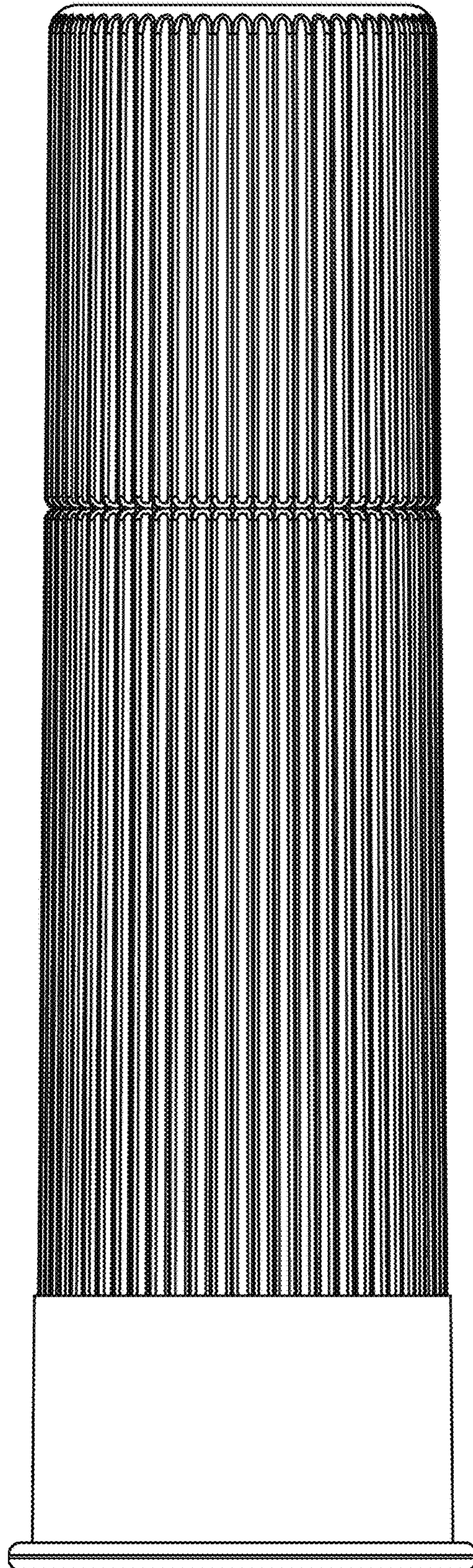
D653,619 S \* 2/2012 Tien ..... D13/144  
D654,027 S \* 2/2012 Huang ..... D13/144  
D655,676 S \* 3/2012 Au ..... D13/144  
D667,377 S \* 9/2012 Chan ..... D13/144  
D671,497 S \* 11/2012 Smith ..... D13/144  
D695,225 S \* 12/2013 Chen ..... D13/144  
D709,891 S \* 7/2014 Alesi ..... D14/433

**1 Claim, 8 Drawing Sheets**

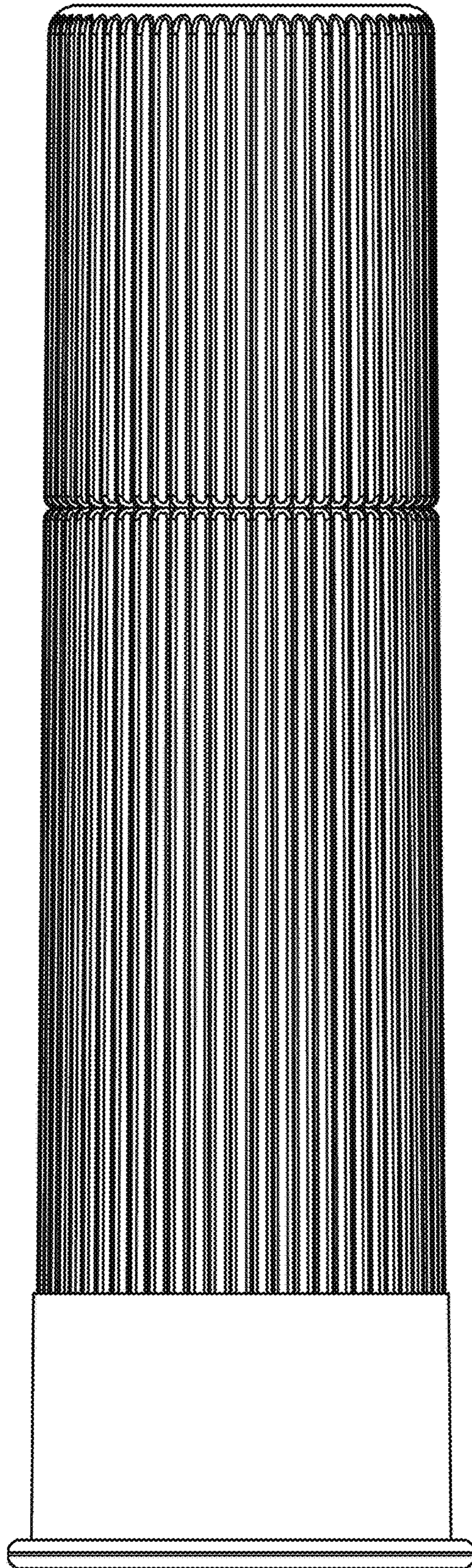




**FIG. 1**



**FIG. 2**



**FIG. 3**

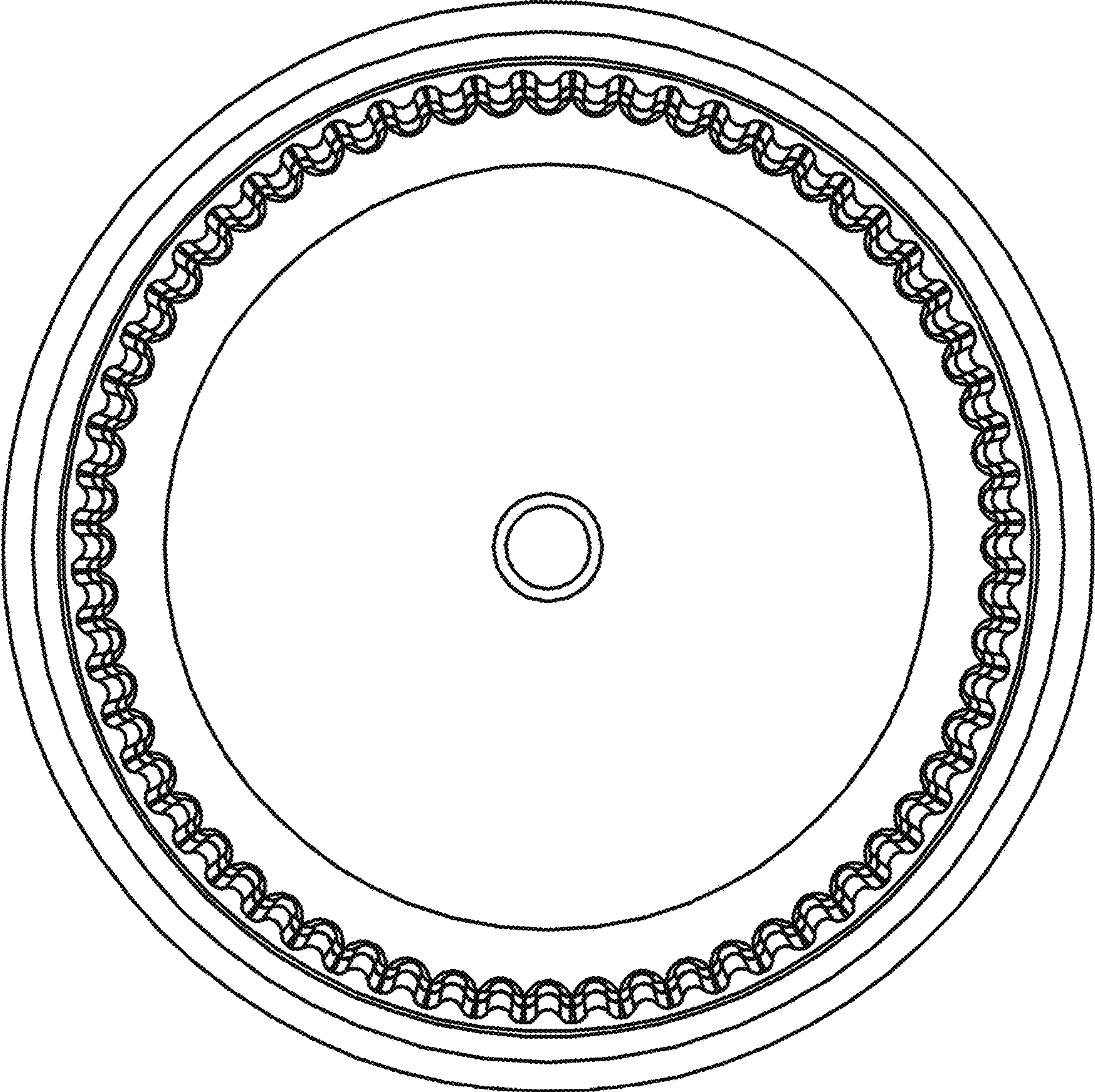


FIG. 4

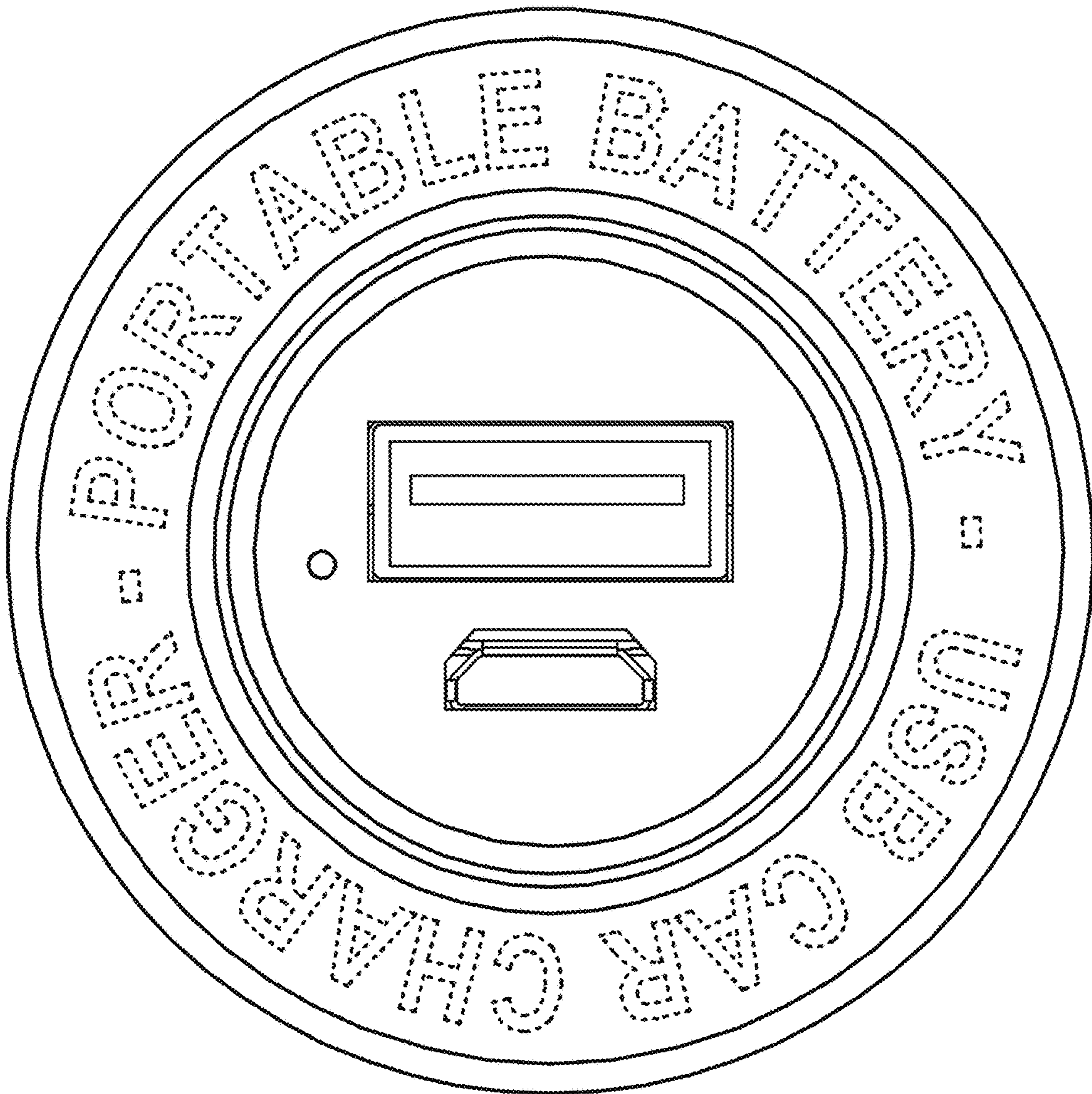
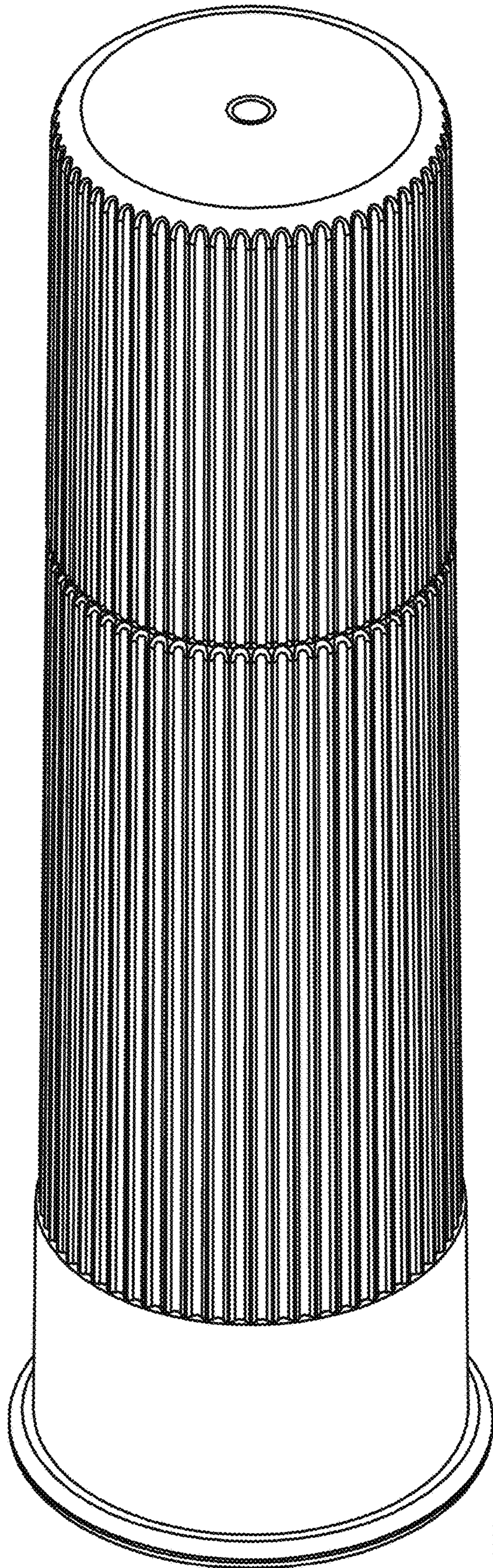


FIG. 5



**FIG. 6**

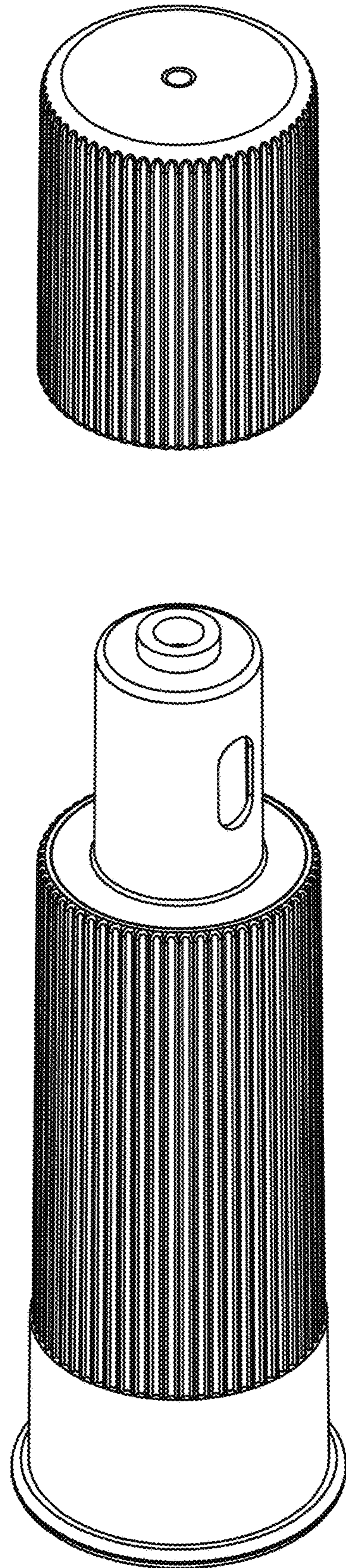


FIG. 7



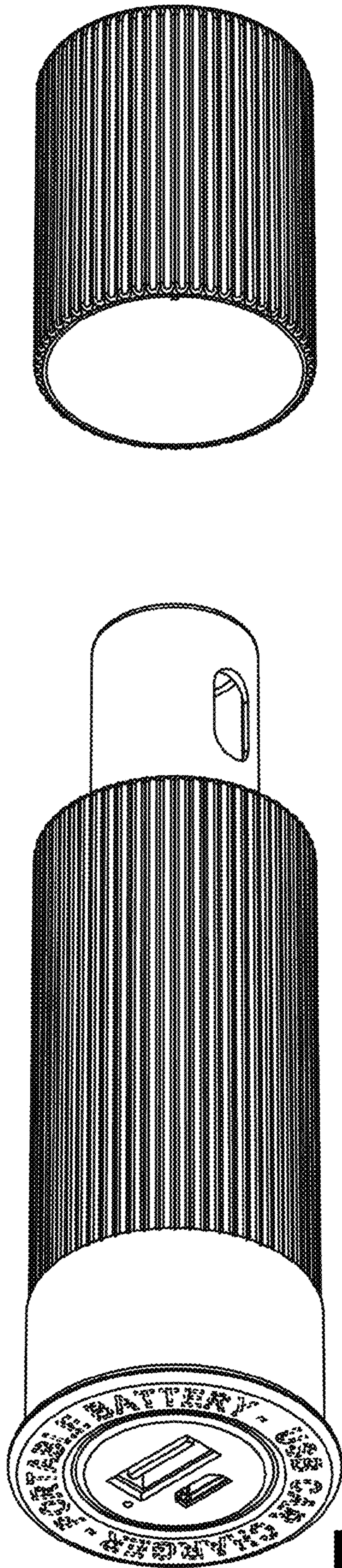


FIG. 8