



US00D778914S

(12) **United States Design Patent**  
**Huang et al.**

(10) **Patent No.:** **US D778,914 S**  
(45) **Date of Patent:** **\*\* Feb. 14, 2017**

(54) **POWER ADAPTER**

(71) Applicant: **OXERER TECHNOLOGIES CO., LTD.**, Taipei (TW)

(72) Inventors: **Po-Chin Huang**, Taipei (TW); **Tzu-Jui Huang**, Taipei (TW)

(73) Assignee: **Po-Chin Huang**, Taipei (TW)

(\*\*) Term: **15 Years**

(21) Appl. No.: **29/547,086**

(22) Filed: **Dec. 1, 2015**

(51) **LOC (10) Cl.** ..... **14-02**

(52) **U.S. Cl.**

USPC ..... **D14/433**; D13/110

(58) **Field of Classification Search**

USPC ..... D14/356–358, 383–385, 420, 426, 427, D14/432–439, 447, 453, 454, 217, 253, D14/299; D13/107, 108, 133, 146, 147, D13/152, 154, 156, 158, 162, 162.1, 168, D13/173, 177, 153; 439/131, 172–174, 439/373, 378, 607.41, 607.55, 607.34, 40; 361/679.08, 679.56, 679.21, 679.4; 174/359

CPC ..... H01R 24/64; H01R 24/62; H01R 12/714; H01R 13/506; H01R 13/6658

See application file for complete search history.

(56) **References Cited**

**U.S. PATENT DOCUMENTS**

D682,835 S \* 5/2013 Daniel ..... D14/433  
D693,767 S \* 11/2013 Zaslavsky ..... D13/110  
D719,092 S \* 12/2014 Huang ..... D13/110

D730,903 S \* 6/2015 Langhammer ..... D14/433  
D731,489 S \* 6/2015 Langhammer ..... D14/433  
D735,130 S \* 7/2015 Huang ..... D13/108  
D741,257 S \* 10/2015 Sumida ..... D13/108  
D742,309 S \* 11/2015 Sumida ..... D13/108  
D751,560 S \* 3/2016 Akana ..... D14/433  
D759,016 S \* 6/2016 Zaslavsky ..... D14/433  
D759,017 S \* 6/2016 Schwalbach ..... D14/433  
D761,262 S \* 7/2016 Solomon ..... D14/433  
D765,082 S \* 8/2016 Allen, Sr. .... D14/433  
2010/0117597 A1\* 5/2010 Wang ..... H02J 7/0042  
320/111  
2013/0279101 A1\* 10/2013 Zaslavsky ..... G06F 1/16  
361/679.02

\* cited by examiner

*Primary Examiner* — Austin Murphy

(74) *Attorney, Agent, or Firm* — Rosenberg, Klein & Lee

(57) **CLAIM**

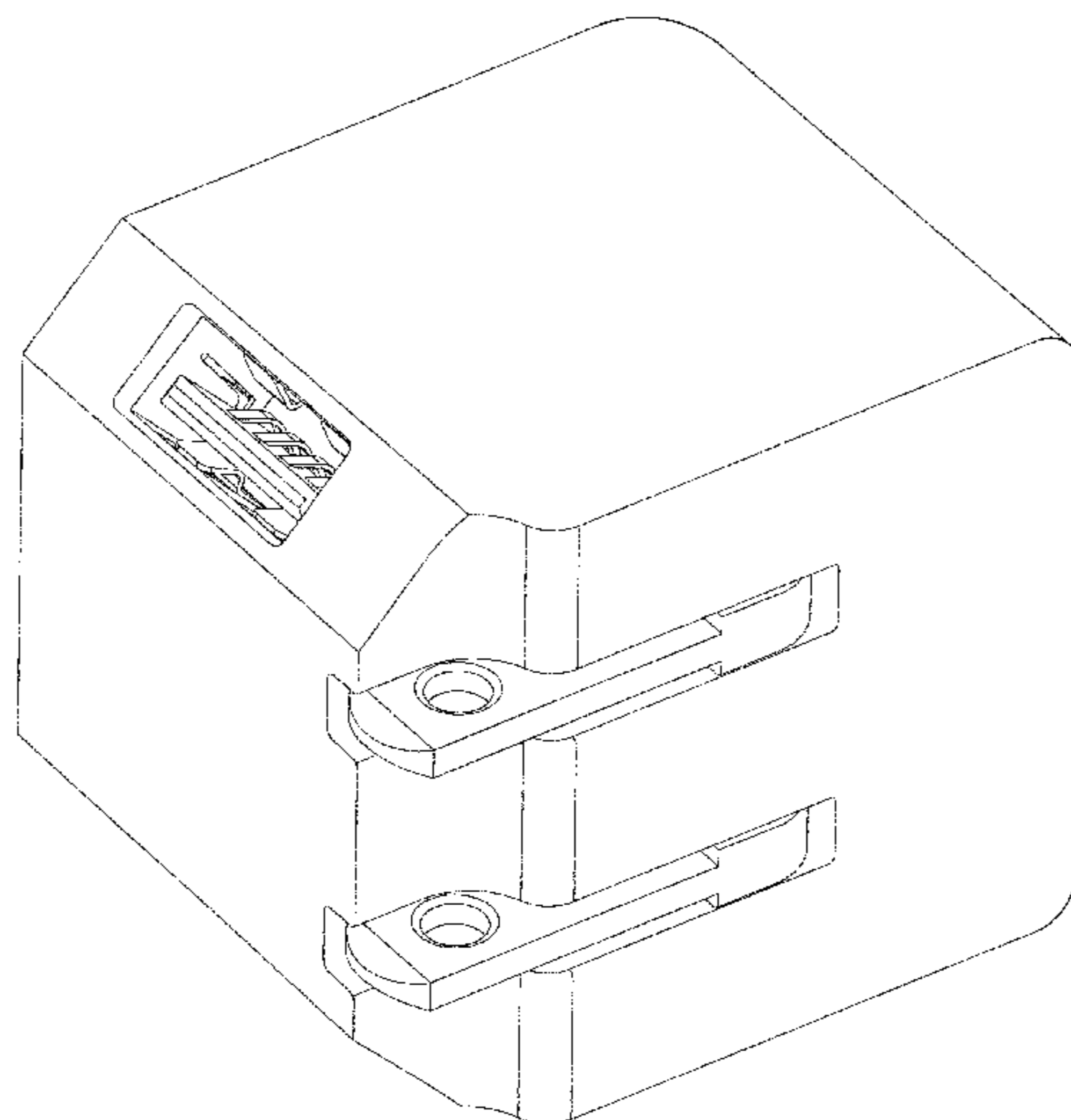
The ornamental design for a power adapter, as shown and described.

**DESCRIPTION**

FIG. 1 is a front, top and right side elevational view of a power adapter figure showing my new design; FIG. 2 is a front elevational view thereof; FIG. 3 is a rear elevational view thereof; FIG. 4 is a left-side elevational view thereof; FIG. 5 is a right-side elevational view thereof; FIG. 6 is a top plan view thereof; and, FIG. 7 is a bottom plan view thereof.

The cord portion of the power adapter is shown with a symbolic break in its length. The appearance of any portion of the article between the break lines forms no part of the claimed design.

**1 Claim, 7 Drawing Sheets**



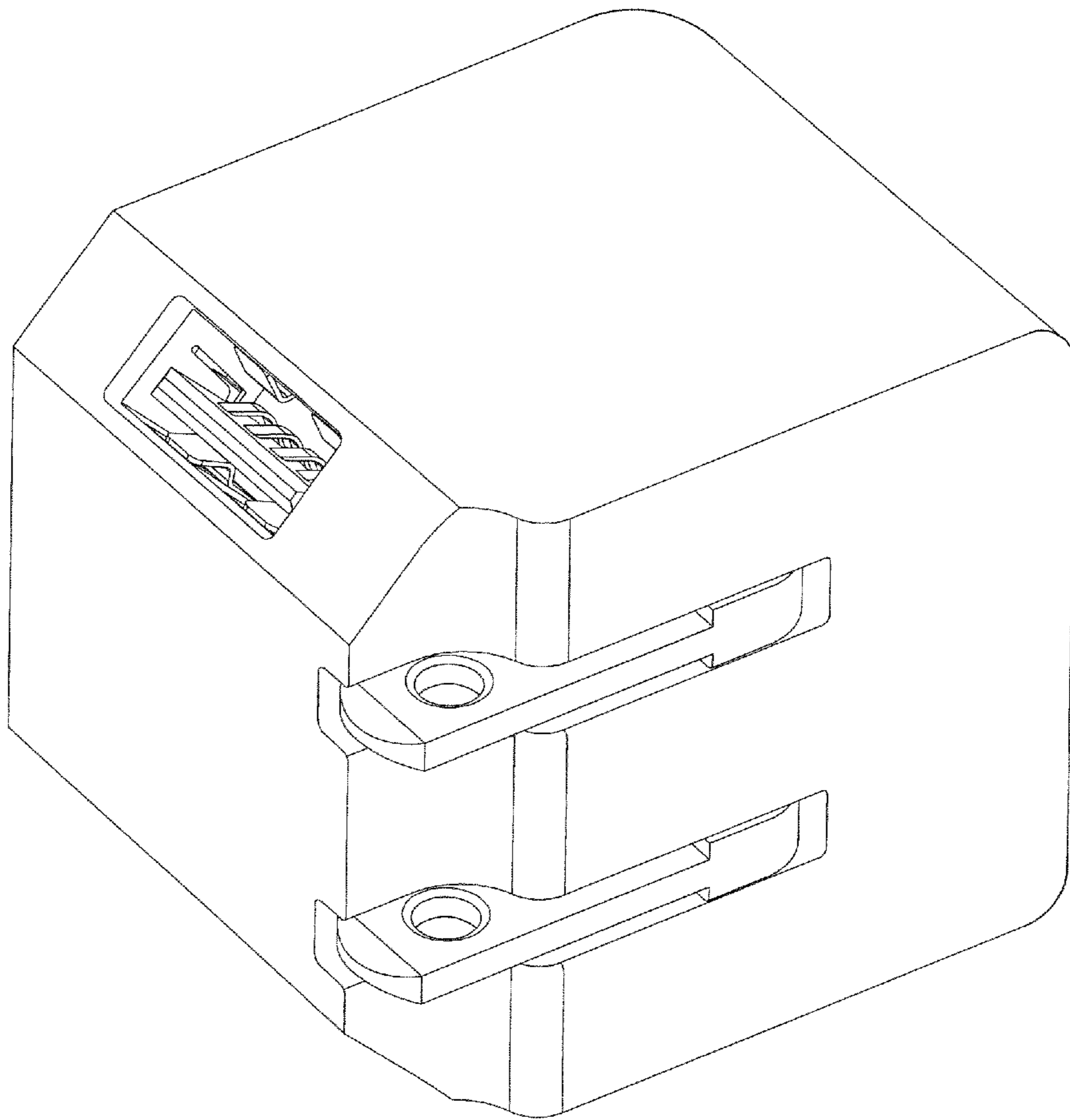


FIG. 1

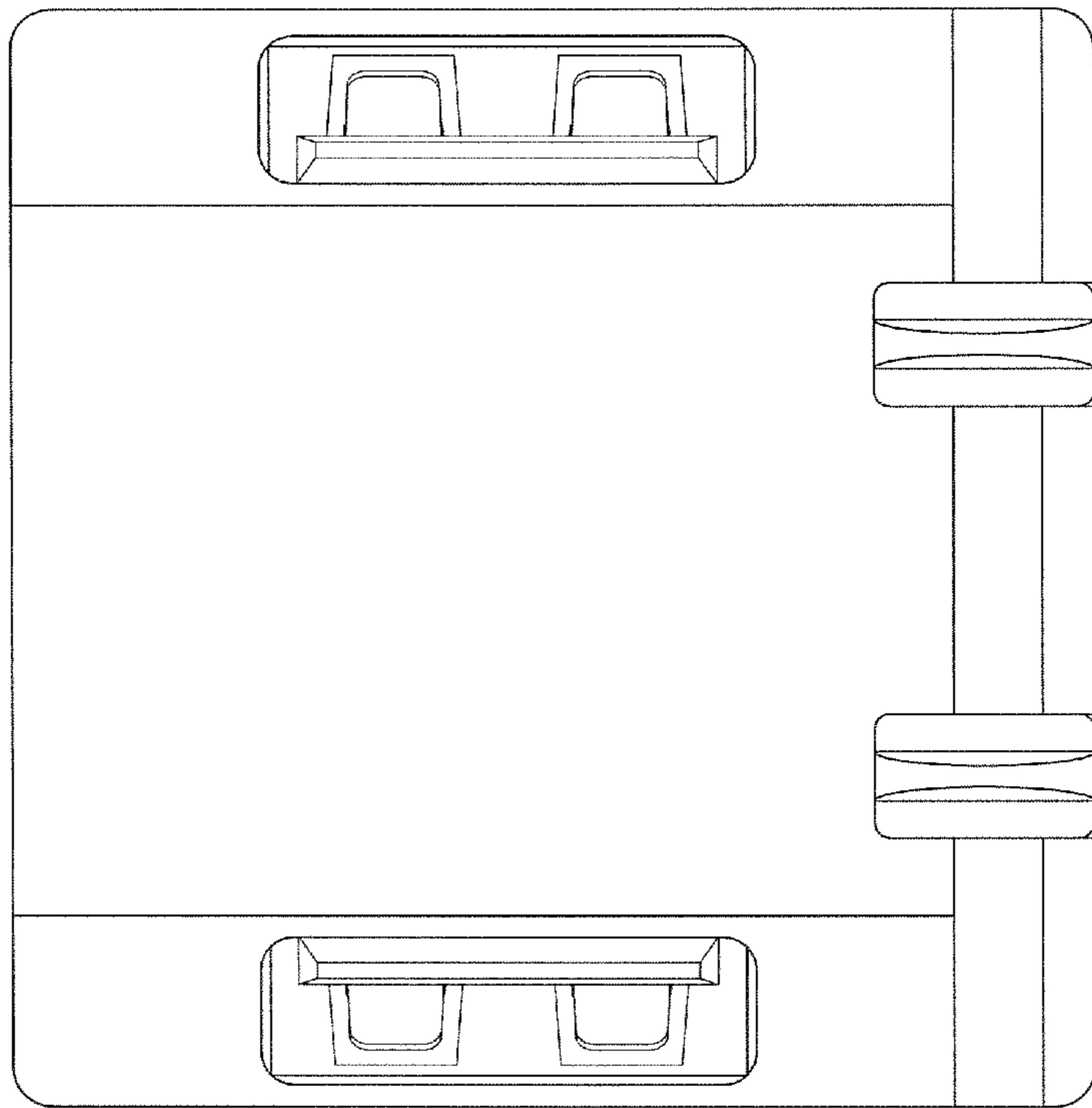


FIG. 2



FIG. 3

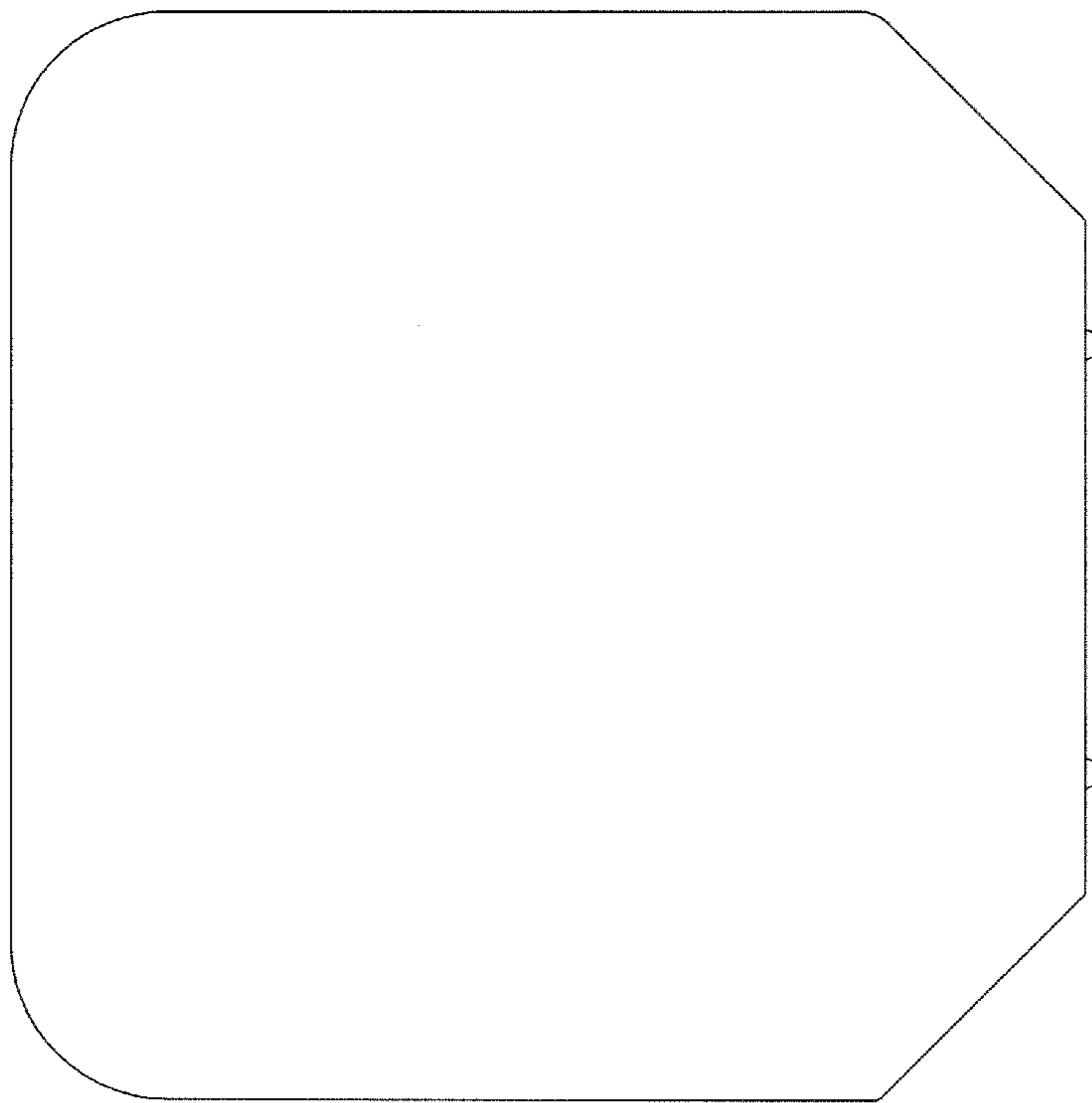


FIG. 4

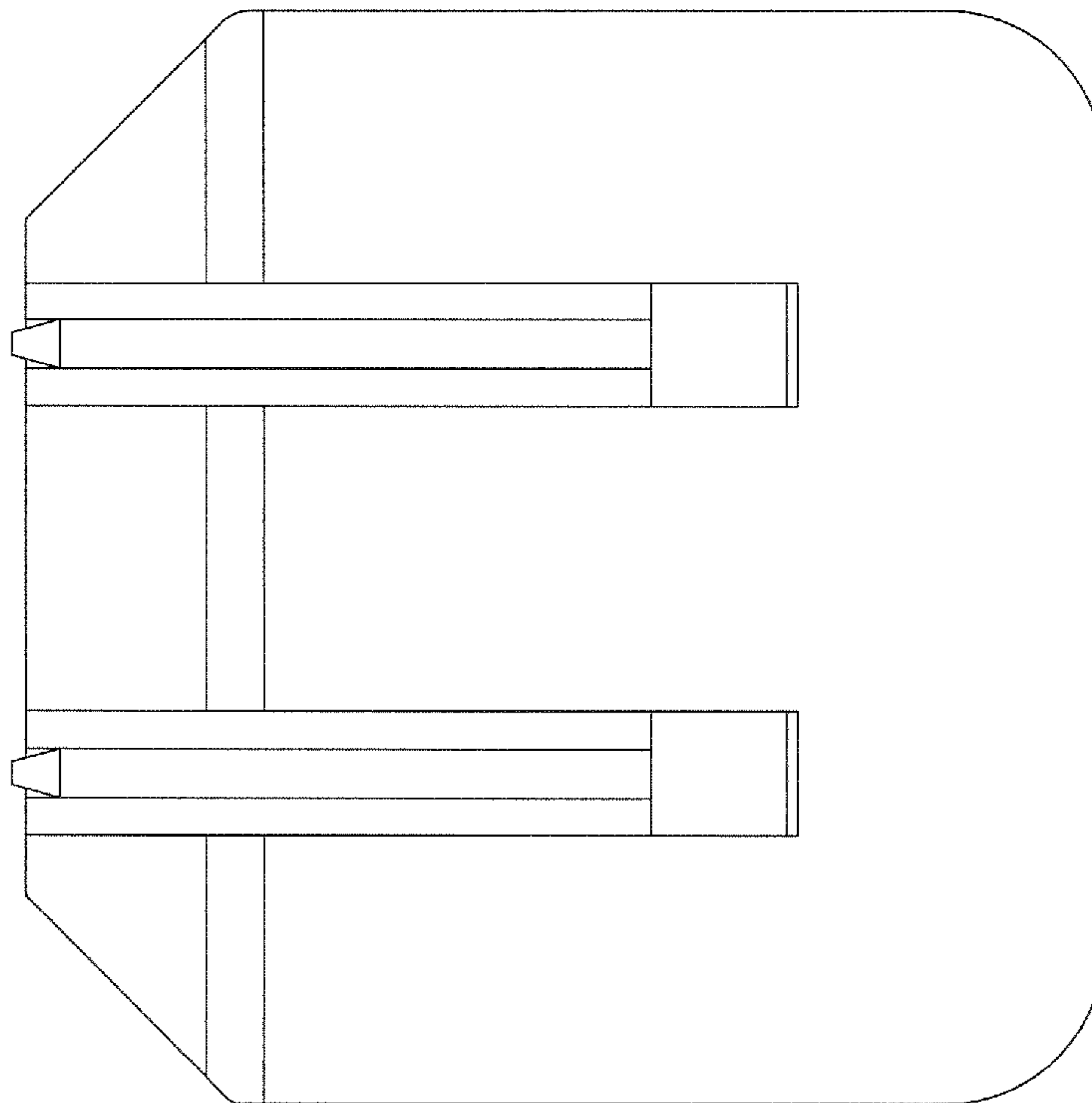


FIG. 5

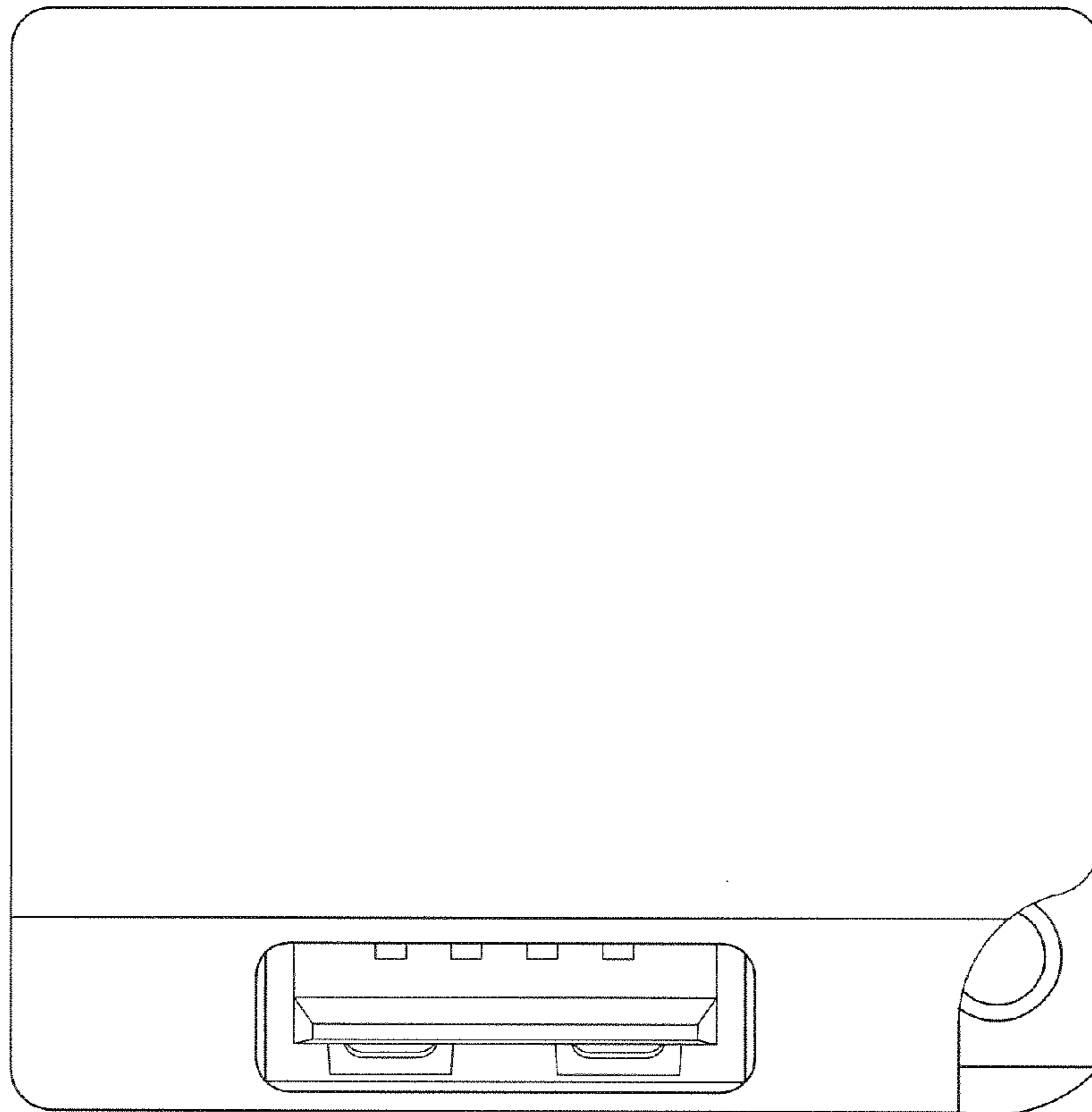


FIG. 6

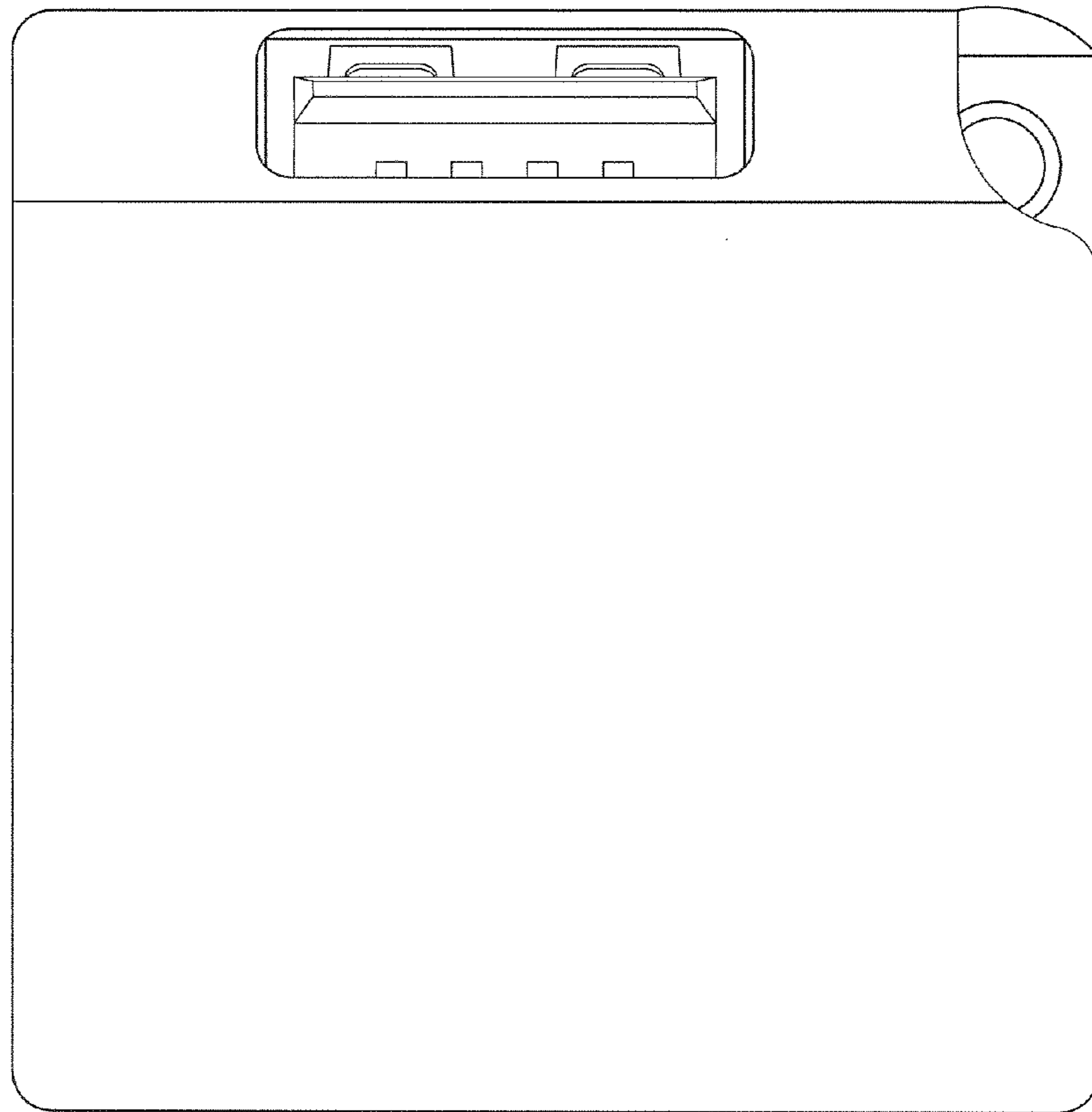


FIG. 7