



US00D778912S

(12) **United States Design Patent** (10) **Patent No.:** **US D778,912 S**  
**Akana et al.** (45) **Date of Patent:** **\*\* Feb. 14, 2017**

(54) **CROWN FOR ELECTRONIC DEVICE**

(71) Applicant: **Apple Inc.**, Cupertino, CA (US)

(72) Inventors: **Jody Akana**, San Francisco, CA (US); **Bartley K. Andre**, Palo Alto, CA (US); **Shota Aoyagi**, San Francisco, CA (US); **Anthony Michael Ashcroft**, San Francisco, CA (US); **Jeremy Bataillou**, San Francisco, CA (US); **Brad G. Boozer**, Cupertino, CA (US); **Daniel J. Coster**, San Francisco, CA (US); **Daniele De Iuliis**, San Francisco, CA (US); **Colin Ely**, Cupertino, CA (US); **M. Evans Hankey**, San Francisco, CA (US); **Phillip M. Hobson**, Menlo Park, CA (US); **Julian Hoenig**, San Francisco, CA (US); **Richard P. Howarth**, San Francisco, CA (US); **Jonathan P. Ive**, San Francisco, CA (US); **Duncan Robert Kerr**, San Francisco, CA (US); **Marc A. Newson**, London (GB); **Matthew Dean Rohrbach**, San Francisco, CA (US); **Fletcher Rothkopf**, Los Altos, CA (US); **Peter Russell-Clarke**, San Francisco, CA (US); **Benjamin Andrew Shaffer**, San Jose, CA (US); **Mikael Silvanto**, San Francisco, CA (US); **Christopher J. Stringer**, Woodside, CA (US); **Eugene Antony Whang**, San Francisco, CA (US); **Michael Benjamin Wittenberg**, Sunnyvale, CA (US); **Rico Zörkendörfer**, San Francisco, CA (US)

(73) Assignee: **Apple Inc.**, Cupertino, CA (US)

(\*\*) Term: **14 Years**

(21) Appl. No.: **29/499,071**

(22) Filed: **Aug. 11, 2014**

(51) **LOC (10) Cl.** ..... **14-02**

(52) **U.S. Cl.**  
USPC ..... **D14/432**

(58) **Field of Classification Search**  
USPC ..... D14/300–302, 308–313, 314, 348, D14/353–355, 432, 439–446, 240, 361/679.02, 679.31, 679.5, 690, 694, 361/679.23, 801, 802; 312/332.1, 334.1; D13/162; D10/50  
CPC ..... A45C 11/00; A45C 2011/003; B60R 11/0241; B60R 11/0252; F16M 13/00; F16M 11/00

See application file for complete search history.

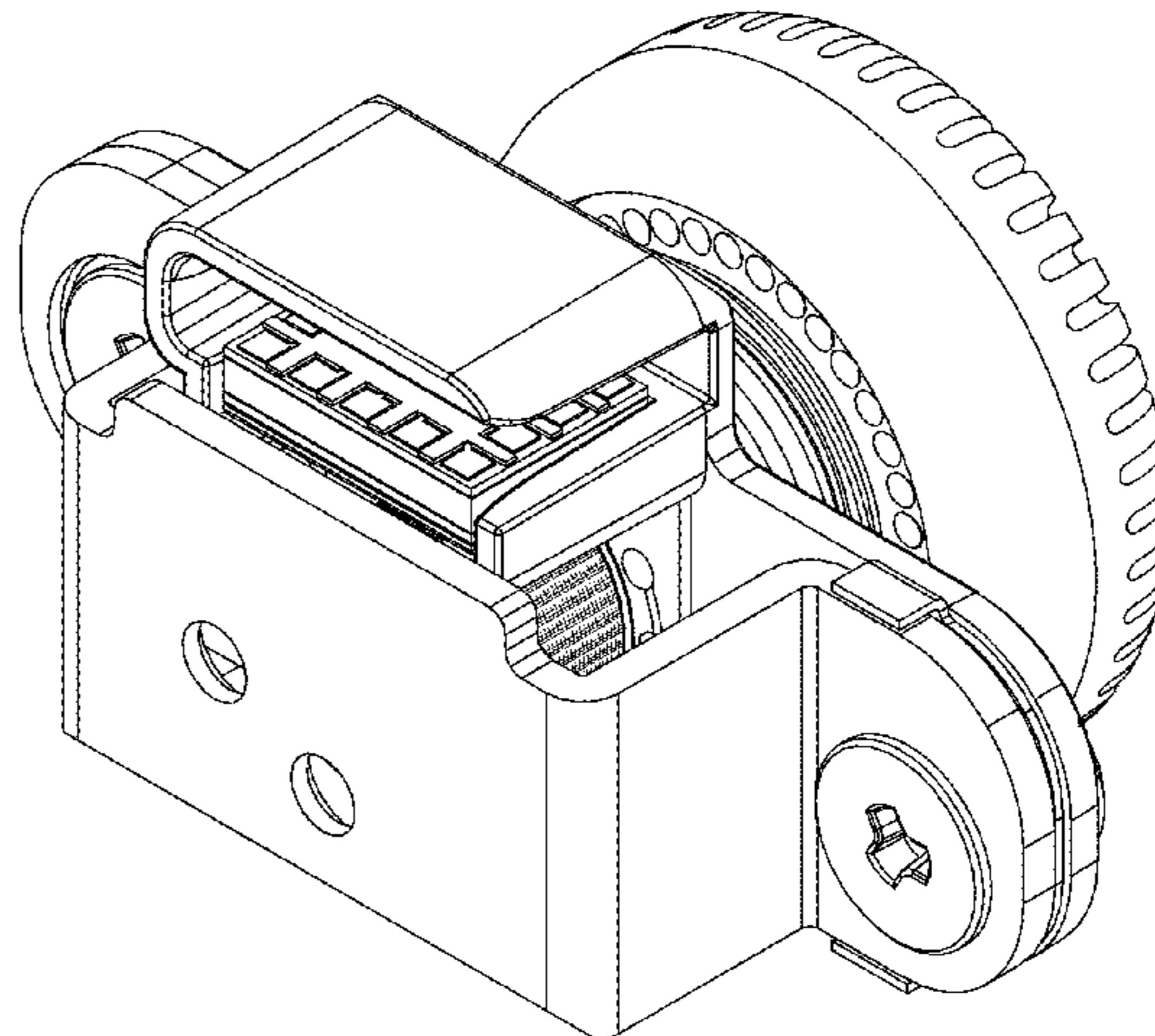
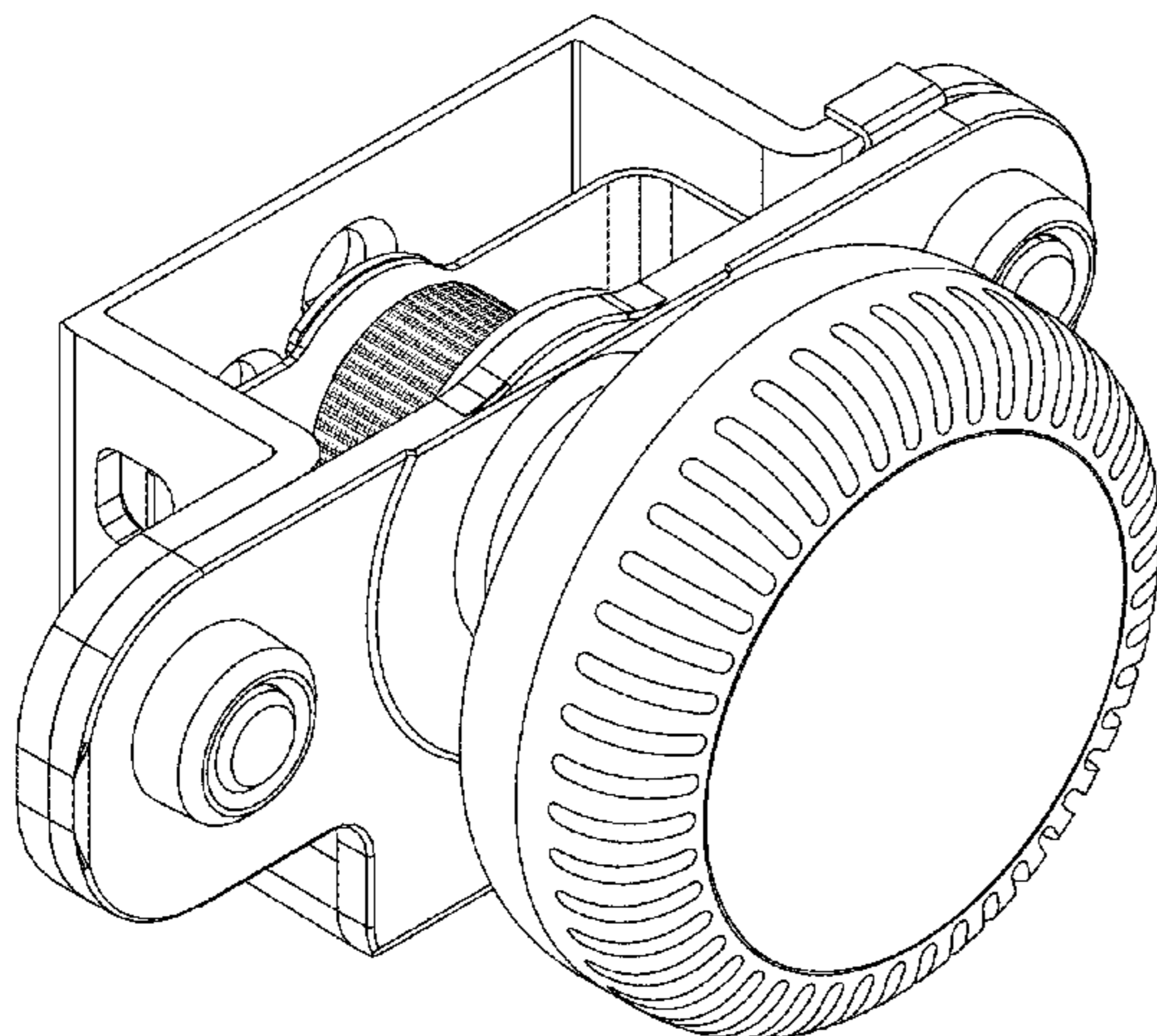
(56) **References Cited**

**U.S. PATENT DOCUMENTS**

3,640,065 A	2/1972	Lederrey et al.
D287,471 S	12/1986	Sato et al.
5,386,933 A	2/1995	Greene et al.
6,655,831 B1	12/2003	Ruffieux
D496,589 S	9/2004	Perrenoud
6,970,157 B2	11/2005	Siddeeq
D513,195 S	12/2005	Gruosi
7,004,469 B2	2/2006	Von Goeben
D528,439 S	9/2006	Burton
D528,928 S	9/2006	Burton
7,106,197 B2	9/2006	Gaiotto et al.
D558,227 S	12/2007	Cho et al.
D572,266 S	7/2008	Anderson et al.
D574,735 S	8/2008	Landman et al.
D578,922 S	10/2008	Hoshino
D584,170 S	1/2009	Morrison
D586,823 S	2/2009	Anderson et al.
D589,375 S	3/2009	Tang
D596,610 S	7/2009	Hou
D616,417 S	5/2010	Liao
7,708,457 B2	5/2010	Girardin et al.
D637,094 S	5/2011	Cobbett et al.
D637,918 S	5/2011	Cobbett et al.
D650,706 S	12/2011	Zanella et al.
D666,503 S	9/2012	Bulgari
D681,483 S	5/2013	Biegert et al.
D699,701 S	2/2014	Kim
2010/0061191 A1	3/2010	Chen

**FOREIGN PATENT DOCUMENTS**

DE	10229050 C1	6/2003
EM	001359301-0002	6/2013



EP	1098231	A1	5/2001
WO	DM/066491-004		3/2005
WO	DM/072215		9/2009
WO	DM/077452-004		6/2011
WO	2014135709	A2	9/2014

OTHER PUBLICATIONS

Alvarez, Edgar, “Basis Peak to get its smartwatch-like features in December,” engadget.com, <<http://www.engadget.com/2014/11/20/basis-peak-new-features/>>, dated Nov. 20, 2014, accessed Dec. 15, 2014.

Cool Material, “Braun Square Digital Watch,” <<http://web.archive.org/web/20111125033014/http://coolmaterial.com/style/braun-square-digital-watch/>>, dated Nov. 25, 2011, accessed Dec. 18, 2014.

Emily, “Nixon—The Newton Digital,” <<http://www.freshnessmag.com/2009/09/08/nixon-the-newton-digital/>> freshnessmag.com, dated Sep. 8, 2009, accessed Oct. 9, 2014.

Fitbit, “Fitbit Surge™ Fitness Super Watch” <<https://www.fitbit.com/surge>>, accessed Dec. 15, 2014.

geekbuying.com, “Makibes unisex red led digital wrist watch with square case silicone watchband—white,” <<http://www.geekbuying.com/item/Unisex-Red-LED-Digital-Wrist-Watch-with-Square-Case-Silicone-Watchband---White-326443.html>>, accessed Oct. 9, 2014.

Hodinkee.com, “Apple iPod Nano Now Available With Mickey Mouse Dial, Also Cheesy, Mechanically Inaccurate Open-Worked Dial,” <<http://web.archive.org/web/20111006043916/http://www.hodinkee.com/blog/2011/10/5/apple-ipod-nano-now-available-with-mickey-mouse-dial-also-ch.html>>, dated Oct. 6, 2011, accessed Dec. 18, 2014.

Homego, “M6 Silver Smart Watch Cell Phone 1.54 inch Bluetooth 3.0 Dialer Outdoor Sports Pedometer,” amazon.com, <<http://www.amazon.com/Silver-Bluetooth-Dialer-Outdoor-Pedometer/dp/B00MQTBGK6>>, accessed Dec. 15, 2014.

Ikepod, “Original Ikepod Watch With GMT—Marc Newson Design,” Watchbox.be, <<http://www.watchbox.be/prod/Others-Watches/Marc%20Newson%20Design/item7165.htm#VJLm2fAo5D8>>, accessed Dec. 17, 2014.

LG Life’s Good, “LG G Watch (W100),” <<http://www.lg.com/us/smart-watches/lg-W100-g-watch>>, accessed Dec. 18, 2014.

Metawatch, “FRAME—Black (MW3005),” <<http://meta.watch/collections/smartwatch-all/products/frame-ss-black-leather>>, accessed Dec. 15, 2014.

Omate, “Omate TrueSmart: Water-resistant standalone Smartwatch 2.0,” <<http://www.kickstarter.com/projects/omate/omate-truesmart-water-resistant-standalone-smartwa>>, dated Aug. 21, 2013, accessed Oct. 8, 2014.

Omate, “The TrueSmart™ is the world’s first standalone smartwatch 2.0 running on top of Android and OUI 2.0,” <<http://www.omate.com/product.html>>, accessed Dec. 15, 2014.

Pebble, “Pebble Smartwatch,” getpebble.com, <<https://getpebble.com/checkout>>, accessed Dec. 15, 2014.

Samsung, “Samsung Gear™ 2 Charcoal Black SM-R3800VSAXAR,” <<http://www.samsung.com/us/mobile/wearable-tech/SM-R3800VSAXAR>>, accessed Dec. 15, 2014.

Samsung, “Samsung Gear S™, (Sprint), Black SM-R750PZKASPR,” <<http://www.samsung.com/us/mobile/wearable-tech/SM-R750PZKASPR>>, accessed Dec. 15, 2014.

Samsung, “Galaxy Gear™ Live, Black SM-R3820ZKAXAR,” <<http://www.samsung.com/us/mobile/wearable-tech/SM-R3820ZKAXAR>>, accessed Dec. 15, 2014.

Sony, “SmartWatch 3 SWR50,” <<http://www.sonymobile.com/us/products/smartwear/smartwatch-3-swr50/>>, accessed Dec. 15, 2014.

Sony, “SmartWatch,” <<http://www.sonymobile.com/us/products/accessories/smartwatch/>>, accessed Dec. 15, 2014.

Stables, James, “Clevercare smartwatch aims to help Alzheimer’s suffers and carers: Revamped Sony SmartWatch 2 designed for users that need care,” Wearable News, <<http://www.wearable.com/>

wearable-tech/clevercare-smartwatch-aims-to-help-alzheimers-suffers-and-carers-585>, dated Dec. 15, 2014.

Team Luxe, “Collector’s Edition: Hermes Carre H Watch,” Luxpresso, <<http://luxpresso.com/news-couture/collectors-edition-hermes-carre-h-watch/2814>>, dated Jan. 10, 2011, accessed Dec. 18, 2014.

Ted Baker, “Ted Baker Men’s TE1054 Time Flies Contemporary Square Digital Case Watch,” <<http://www.amazon.com/Ted-Baker-TE1054-Contemporary-Digital/dp/B0045CRTYO%3FSubscriptionId%3DAKIAJ3U4YRIBWCGGKZ2A%26tag%3Dfrases365-20%26linkCode%3Dsp1%26camp%3D2025%26creative%3D165953%26creativeASIN%3DB0045CRTYO>>, accessed Oct. 9, 2014.

Velazco Chris, “ASUS ZenWatch review: subtle and stylish with a few short comings” Engadget.com <<http://www.engadget.com/2014/12/11/asus-zenwatch-review/>>, dated Dec. 11, 2014, accessed Dec. 15, 2014.

Watches Infoniac.com, “Hermes Carre H Watch—Extremely Contemporary Design,” <<http://watches.infoniac.com/carre-h-watch-hermes.html>>, dated Aug. 13, 2010, accessed Dec. 18, 2014.

Watchismo, “Braun BN0042 Black Date Leather,” <<http://web.archive.org/web/20130815073830/http://www.watchismo.com/braun-bn0042bkbk.aspx>>, dated Aug. 15, 2013, accessed Dec. 18, 2014.

Design U.S. Appl. No. 29/499,042, filed Aug. 11, 2014.

Design U.S. Appl. No. 29/499,075, filed Aug. 11, 2014.

Design U.S. Appl. No. 29/499,080, filed Aug. 11, 2014.

Design U.S. Appl. No. 29/499,081, filed Aug. 11, 2014.

Design U.S. Appl. No. 29/499,082, filed Aug. 11, 2014.

Design U.S. Appl. No. 29/499,084, filed Aug. 11, 2014.

Design U.S. Appl. No. 29/499,087, filed Aug. 11, 2014.

Design U.S. Appl. No. 29/499,088, filed Aug. 11, 2014.

Design U.S. Appl. No. 29/499,089, filed Aug. 11, 2014.

Design U.S. Appl. No. 29/499,090, filed Aug. 11, 2014.

Design U.S. Appl. No. 29/499,091, filed Aug. 11, 2014.

Design U.S. Appl. No. 29/501,059, filed Aug. 29, 2014.

Design U.S. Appl. No. 29/501,152, filed Sep. 2, 2014.

Design U.S. Appl. No. 29/501,624, filed Sep. 5, 2014.

Design U.S. Appl. No. 29/501,720, filed Sep. 8, 2014.

Design U.S. Appl. No. 29/501,722, filed Sep. 8, 2014.

Design U.S. Appl. No. 29/501,723, filed Sep. 8, 2014.

Design U.S. Appl. No. 29/501,733, filed Sep. 8, 2014.

Design U.S. Appl. No. 29/501,737, filed Sep. 8, 2014.

Design U.S. Appl. No. 29/501,746, filed Sep. 8, 2014.

Design U.S. Appl. No. 29/501,752, filed Sep. 8, 2014.

Design U.S. Appl. No. 29/501,759, filed Sep. 8, 2014.

Design U.S. Appl. No. 29/501,770, filed Sep. 8, 2014.

Design U.S. Appl. No. 29/510,041, filed Nov. 24, 2014.

*Primary Examiner* — Austin Murphy

(74) *Attorney, Agent, or Firm* — Sterne, Kessler, Goldstein & Fox P.L.L.C.

(57)

**CLAIM**

The ornamental design for a crown for electronic device, as shown and described.

**DESCRIPTION**

FIG. 1 is a front perspective view of a crown for electronic device showing the claimed design;

FIG. 2 is a rear perspective view thereof;

FIG. 3 is a front view thereof;

FIG. 4 is a rear view thereof;

FIG. 5 is a left side view thereof;

FIG. 6 is a right side view thereof;

FIG. 7 is a top view thereof; and,

FIG. 8 is a bottom view thereof.

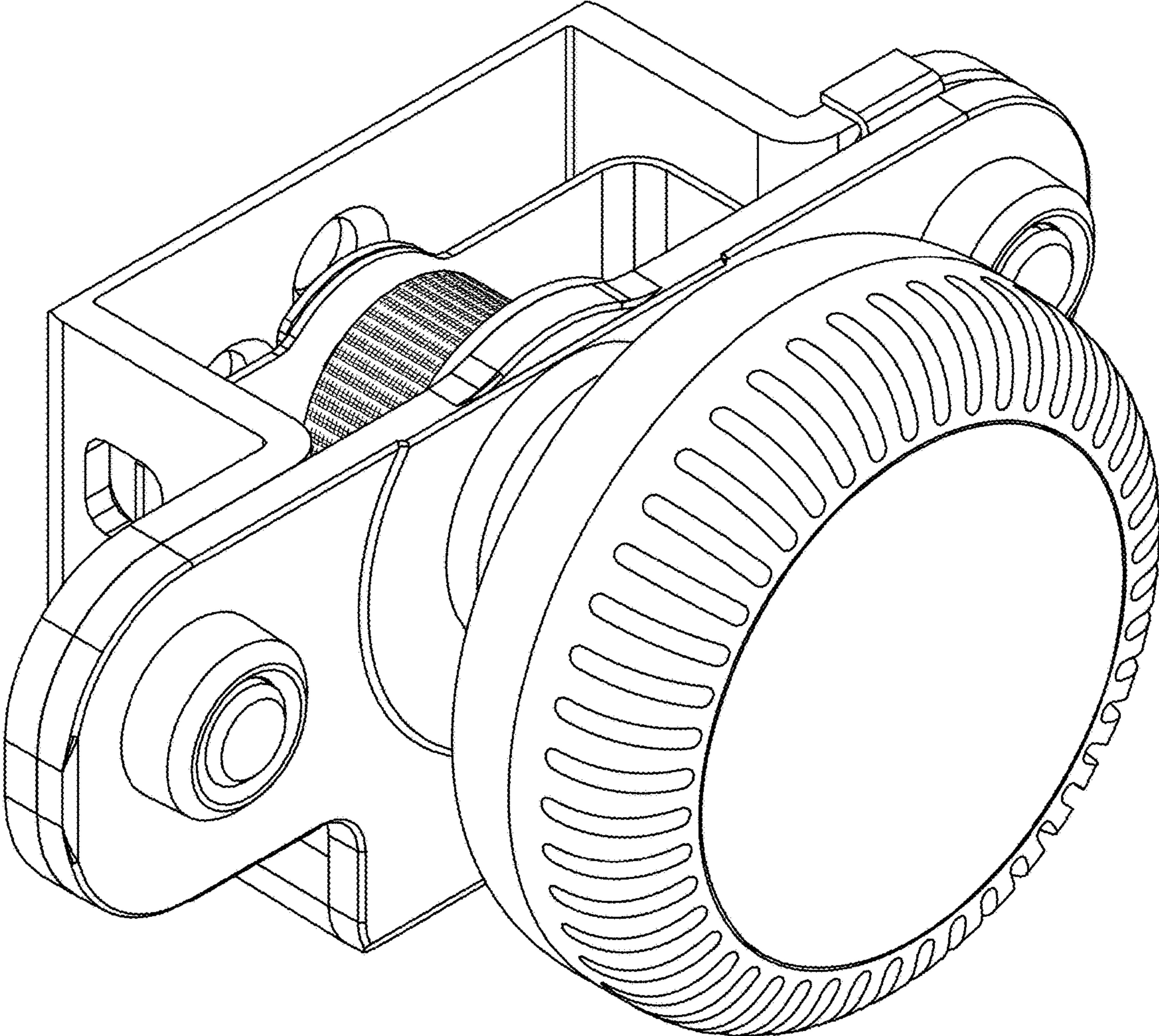


FIG. 1

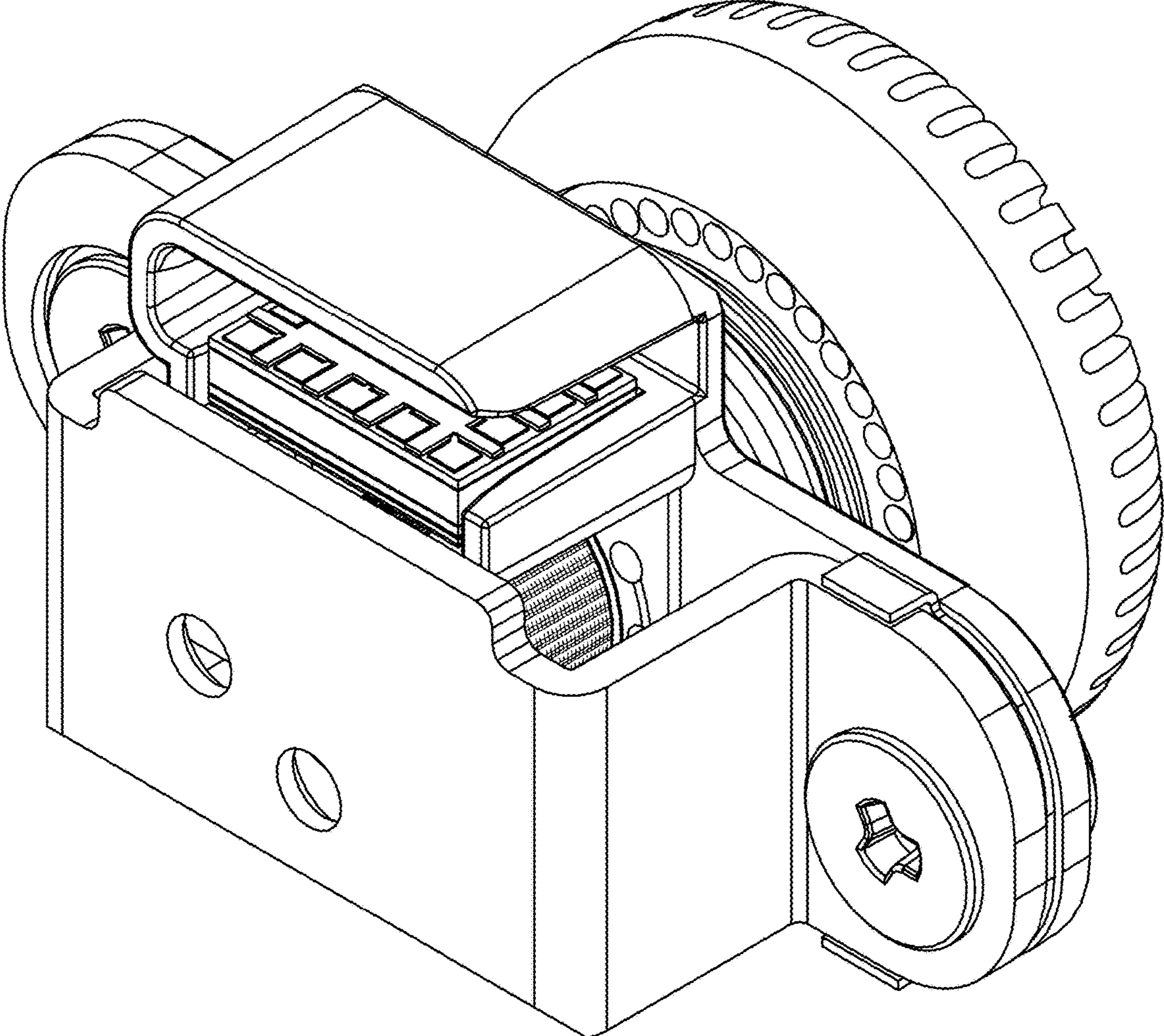


FIG. 2

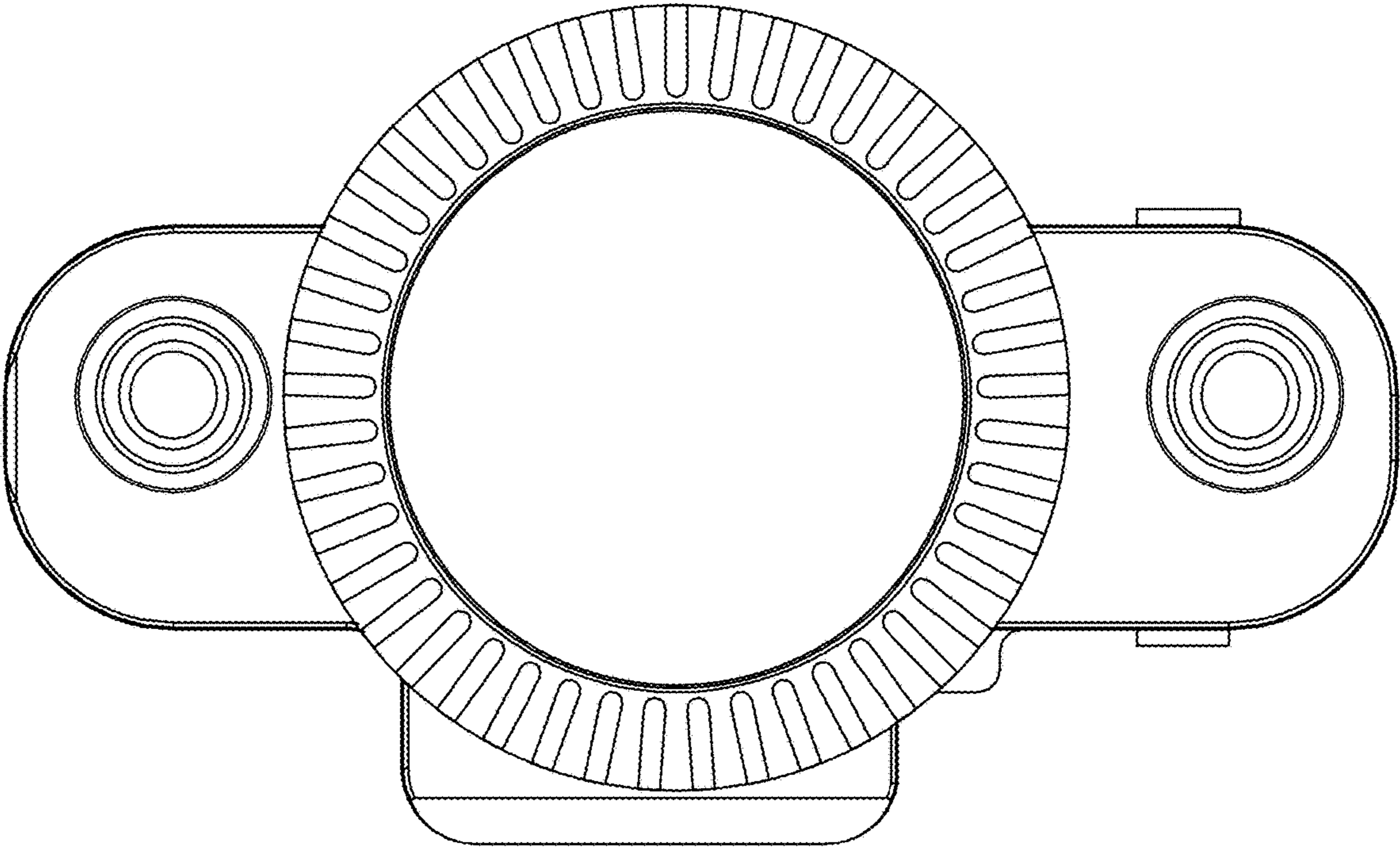


FIG. 3

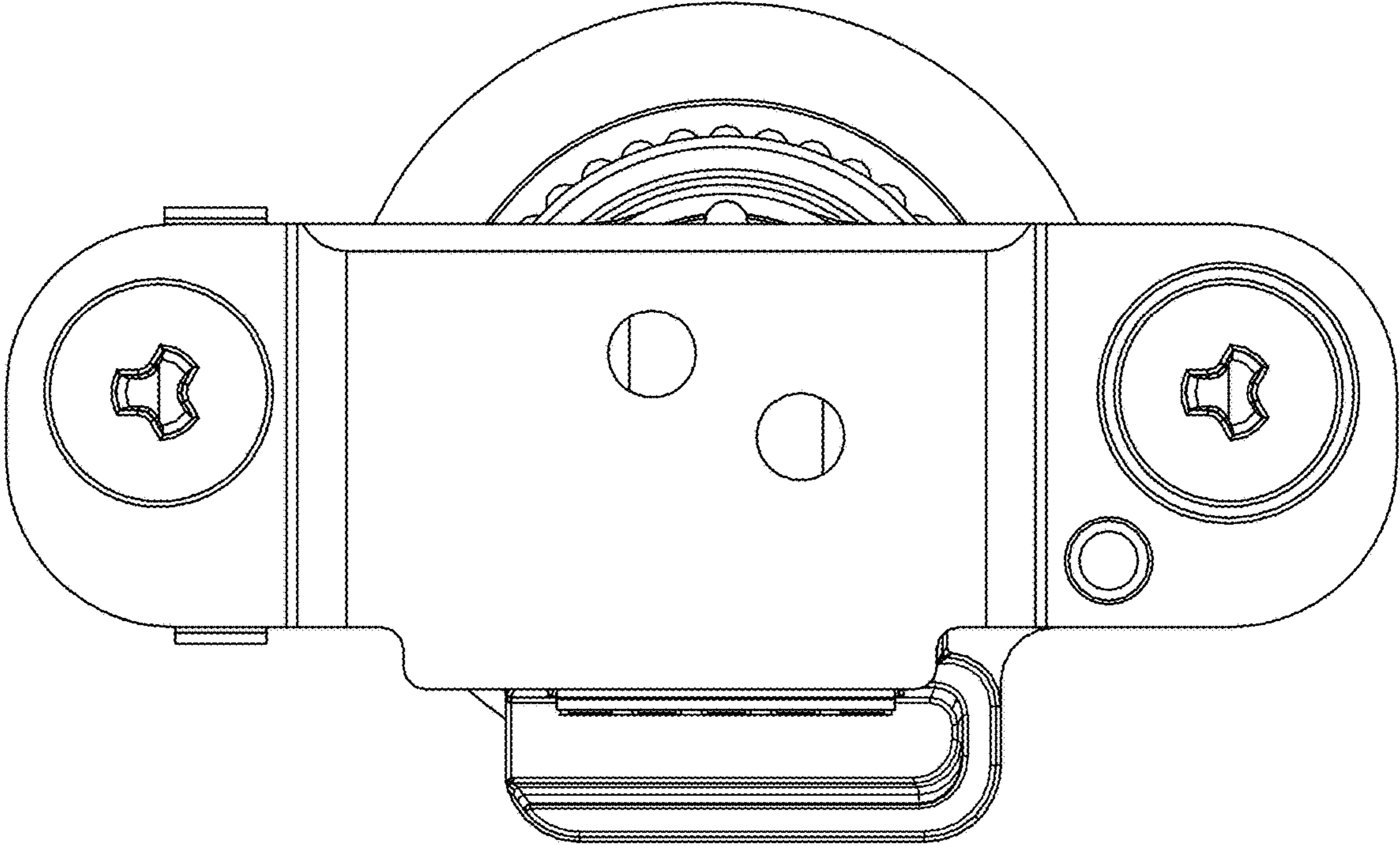


FIG. 4

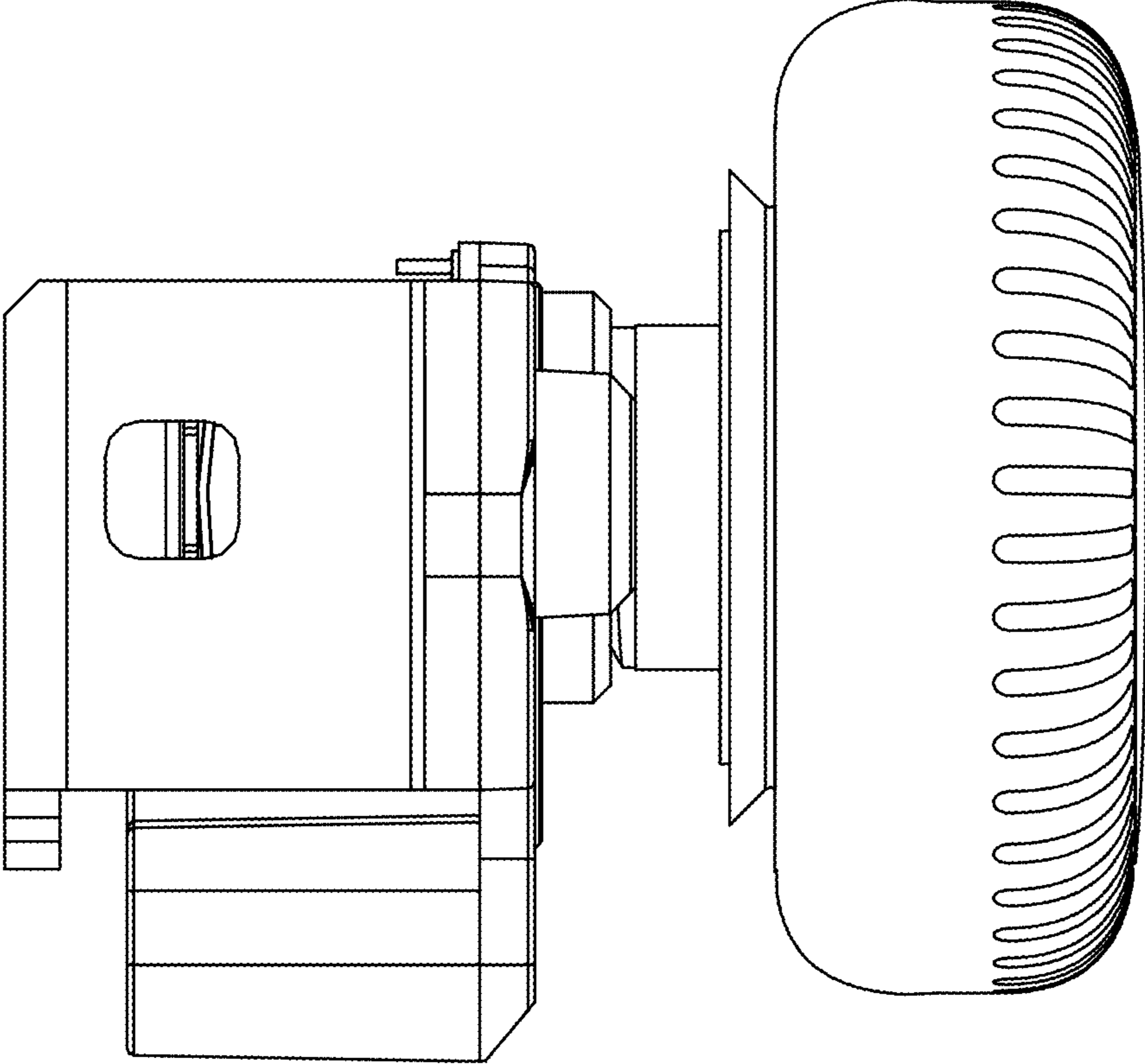


FIG. 5

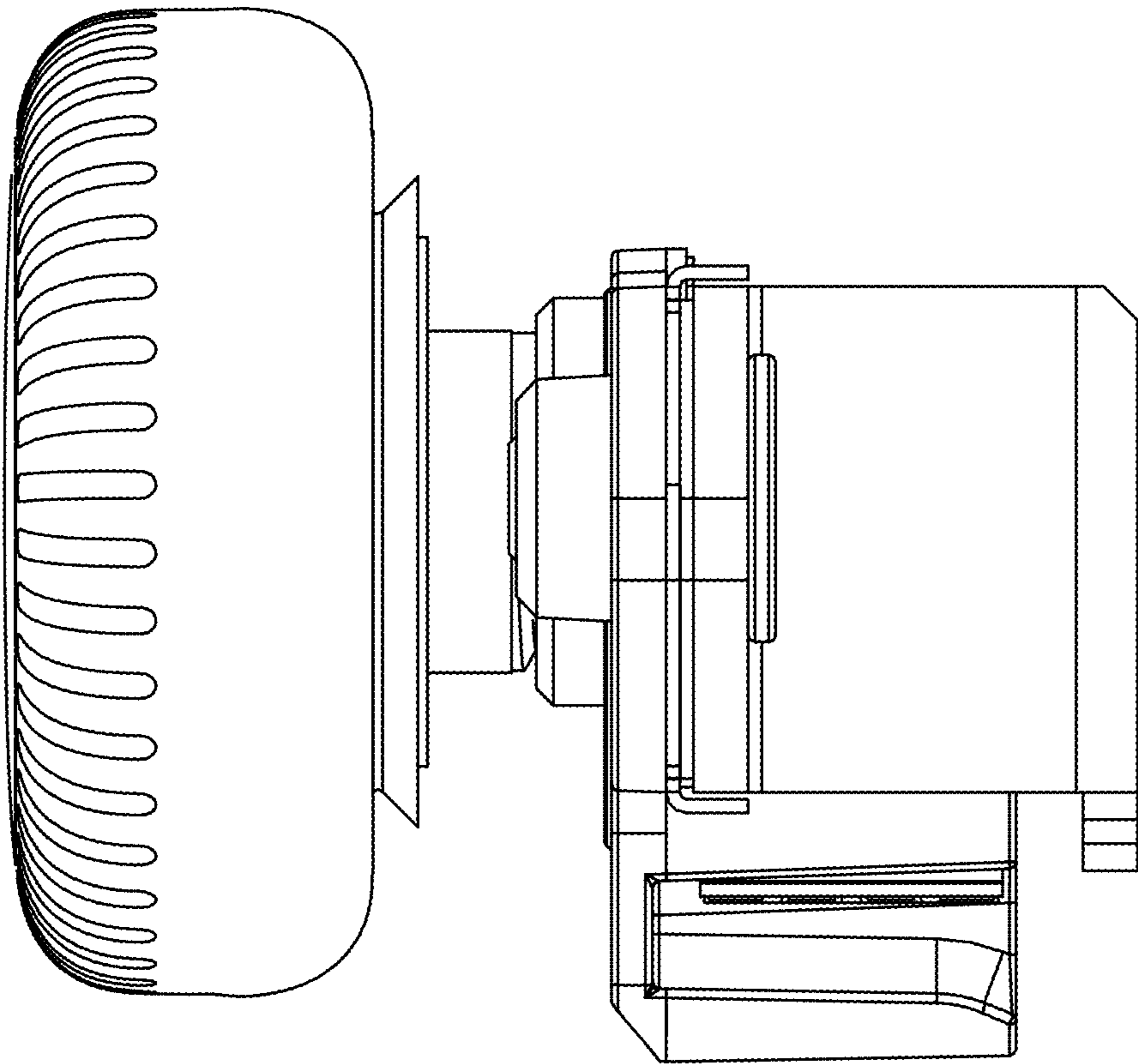


FIG. 6



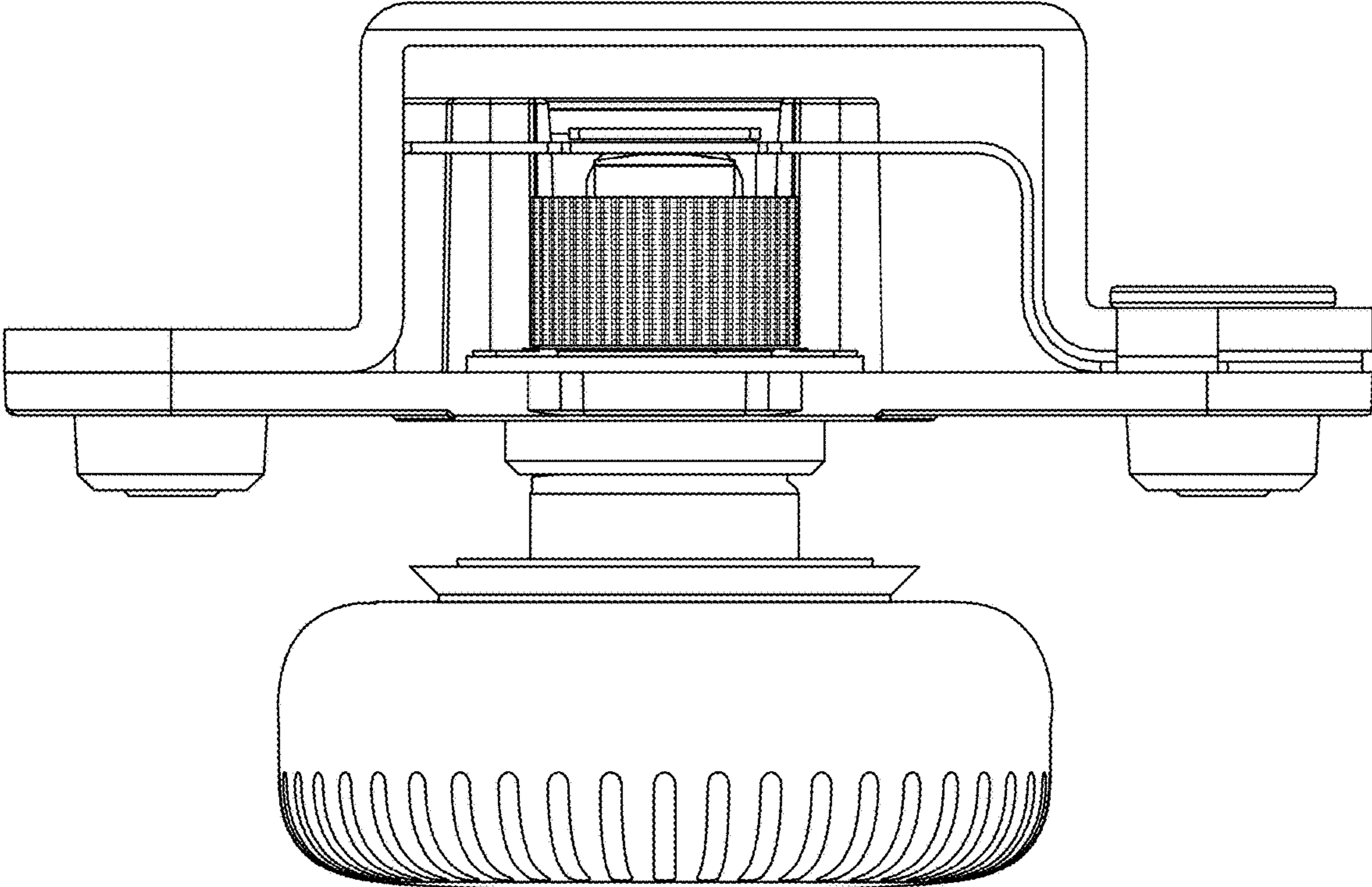


FIG. 7

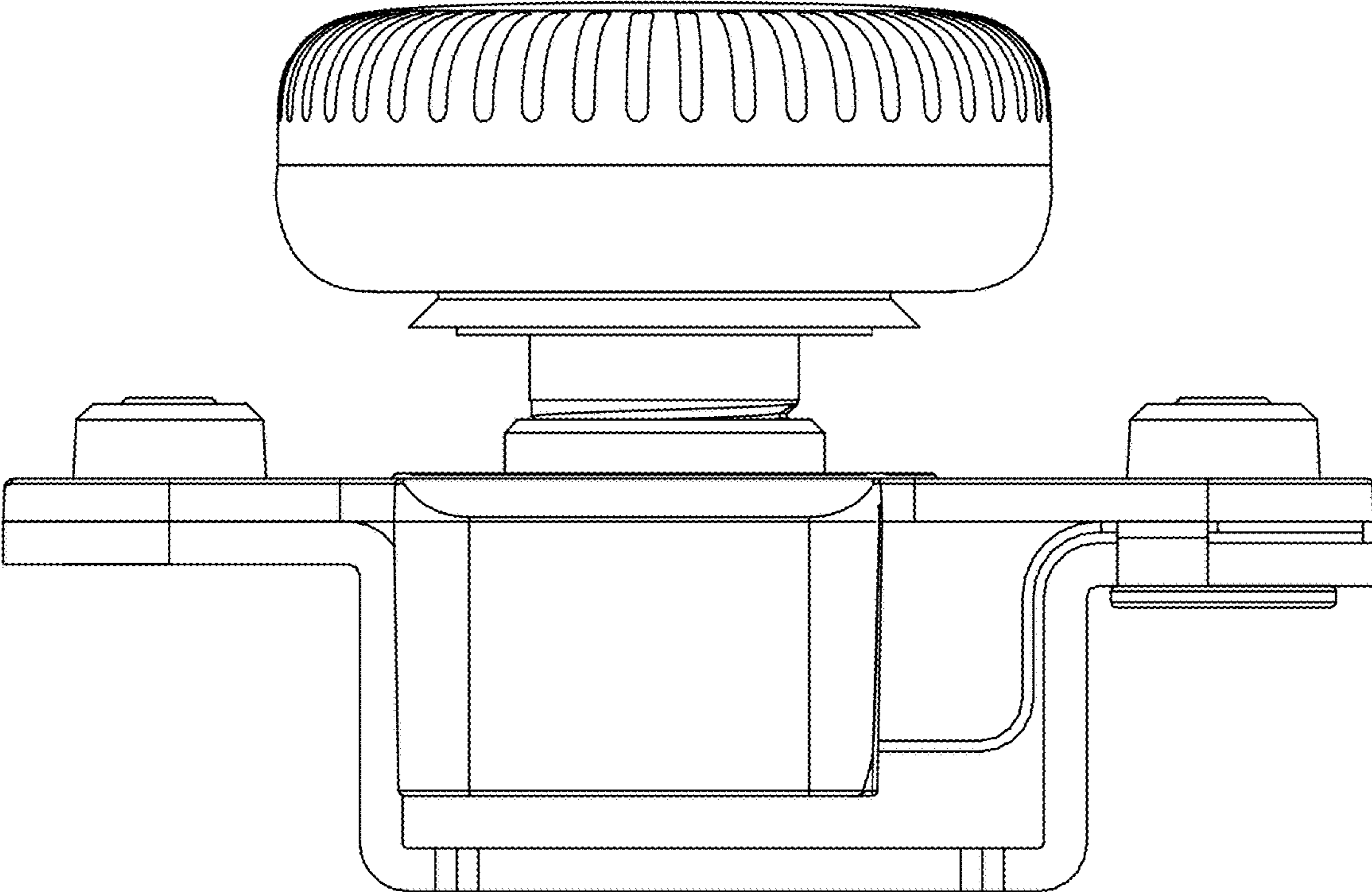


FIG. 8