



US00D778909S

(12) **United States Design Patent**
Nokuo

(10) **Patent No.:** **US D778,909 S**

(45) **Date of Patent:** **** Feb. 14, 2017**

- (54) **HEAD-MOUNTED DISPLAY**
- (71) Applicant: **SONY COMPUTER ENTERTAINMENT INC.**, Tokyo (JP)
- (72) Inventor: **Taichi Nokuo**, Tokyo (JP)
- (73) Assignee: **SONY COMPUTER ENTERTAINMENT INC.**, Tokyo (JP)
- (**) Term: **15 Years**
- (21) Appl. No.: **29/572,333**
- (22) Filed: **Jul. 27, 2016**

Related U.S. Application Data

- (63) Continuation of application No. 29/537,437, filed on Aug. 26, 2015, now Pat. No. Des. 764,467.

(30) **Foreign Application Priority Data**

Feb. 27, 2015 (JP) 2015-004105

- (51) **LOC (10) Cl.** **14-02**

- (52) **U.S. Cl.**
USPC **D14/372**

- (58) **Field of Classification Search**
USPC D14/372, 496, 432, 371, 125, 126, 129, D14/299; D16/300-342; 351/158, 153, 351/144; 345/7-9, 905; 455/344; 348/115, 348/53, 121, 739
CPC G02B 27/017; G02B 27/0158; G02B 27/0161; G02B 27/0181; G02B 27/0185; G02B 27/0189

See application file for complete search history.

(56) **References Cited**

U.S. PATENT DOCUMENTS

- D719,953 S 12/2014 Nokuo et al.
- D722,054 S * 2/2015 Serota D14/372
- D727,318 S * 4/2015 Garcia Marin D14/372

- D727,896 S 4/2015 Laluque
- D732,028 S * 6/2015 Kim D14/372
- D739,855 S * 9/2015 Bosveld D14/372
- D740,283 S * 10/2015 Bosveld D14/372
- D740,810 S 10/2015 Bosveld
- D740,815 S 10/2015 Bosveld et al.
- D741,324 S * 10/2015 Bosveld D14/372

(Continued)

FOREIGN PATENT DOCUMENTS

RU 94616 8/2015

OTHER PUBLICATIONS

Kazakhstan Office Action dated Feb. 4, 2016; Appln. No. 20150018.4.

Primary Examiner — Austin Murphy

(74) *Attorney, Agent, or Firm* — Young & Thompson

(57) **CLAIM**

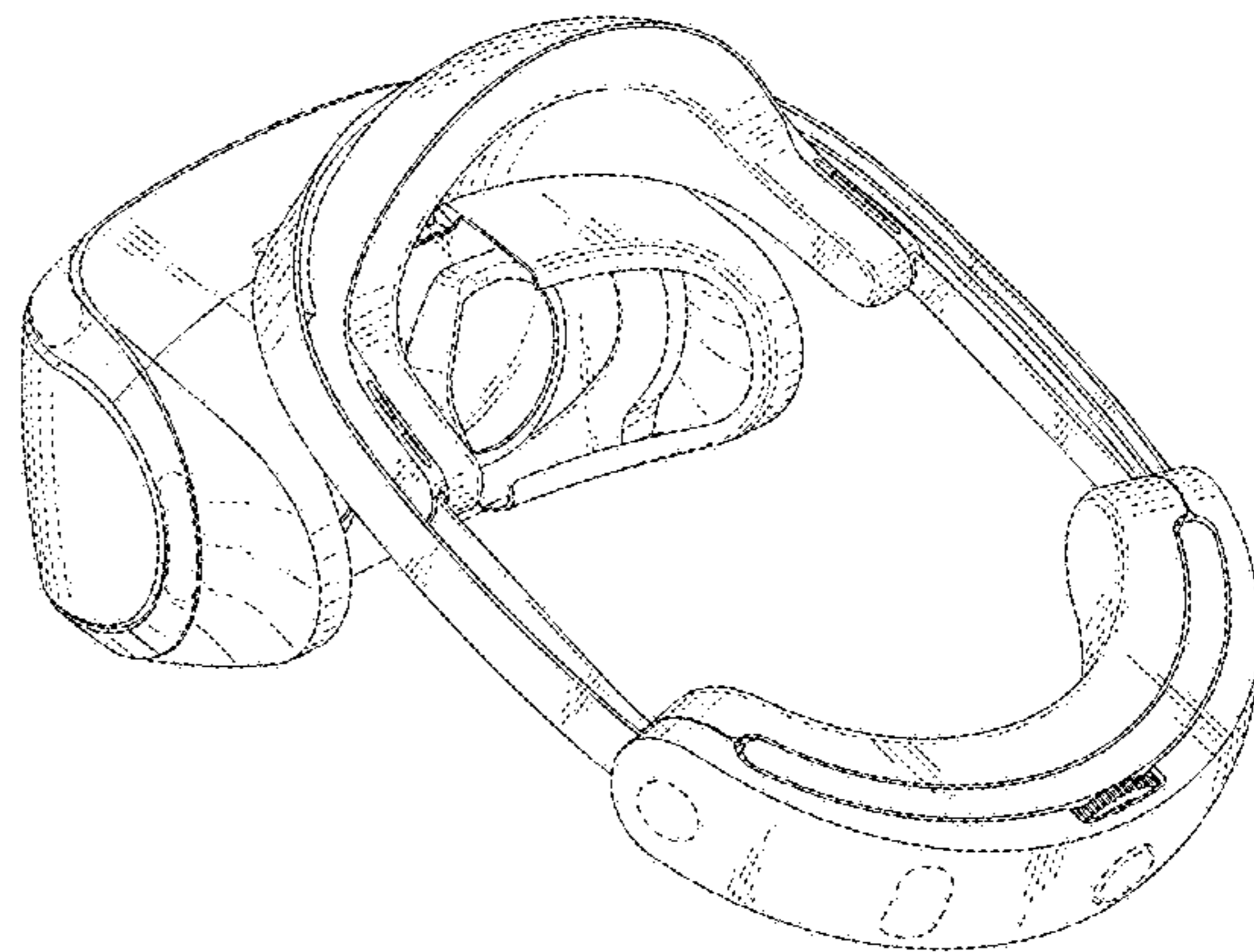
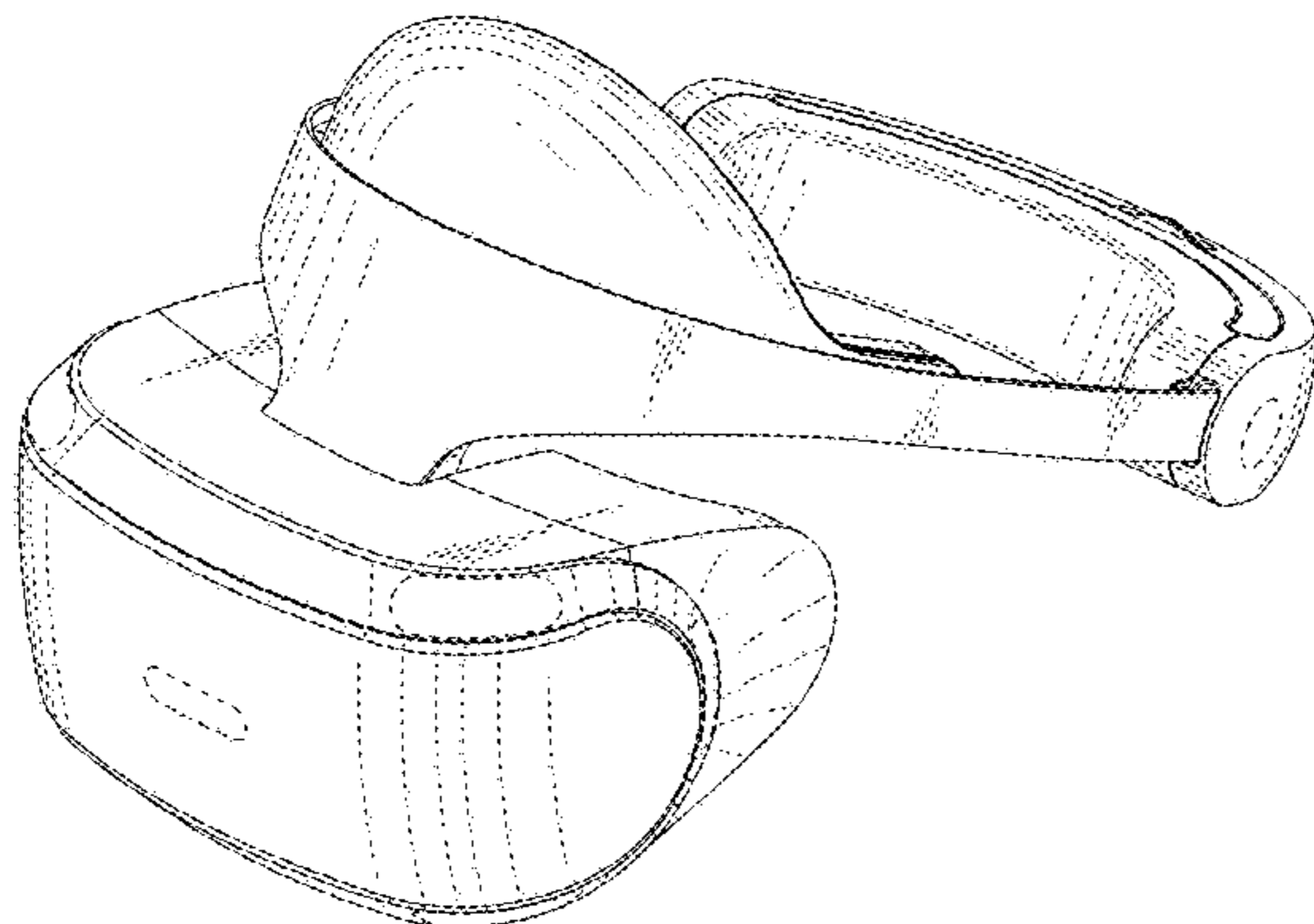
The ornamental design for a head-mounted display, as shown and described.

DESCRIPTION

FIG. 1 is a perspective view of front, top and right side of a head-mounted display showing my new design;
 FIG. 2 is a perspective view of rear, top and right side thereof;
 FIG. 3 is a perspective view of front, bottom and left side thereof;
 FIG. 4 is a perspective view of rear, bottom and left side thereof;
 FIG. 5 is a front view thereof;
 FIG. 6 is a rear view thereof;
 FIG. 7 is a left side view thereof;
 FIG. 8 is a right side view thereof;
 FIG. 9 is a top view thereof; and,
 FIG. 10 is a bottom view thereof.

The broken lines form no part of the claimed design.

1 Claim, 10 Drawing Sheets



(56)

References Cited

U.S. PATENT DOCUMENTS

D741,325 S	10/2015	Bosveld et al.	
D741,327 S	10/2015	Reznik	
D741,858 S	10/2015	Bosveld	
D749,580 S *	2/2016	Kim	D14/372
D751,072 S	3/2016	Lyons	
D752,680 S	3/2016	Kim et al.	
D753,111 S *	4/2016	Fei	D14/372
D753,113 S *	4/2016	Fei	D14/372
D764,467 S *	8/2016	Nokuo	D14/372

* cited by examiner

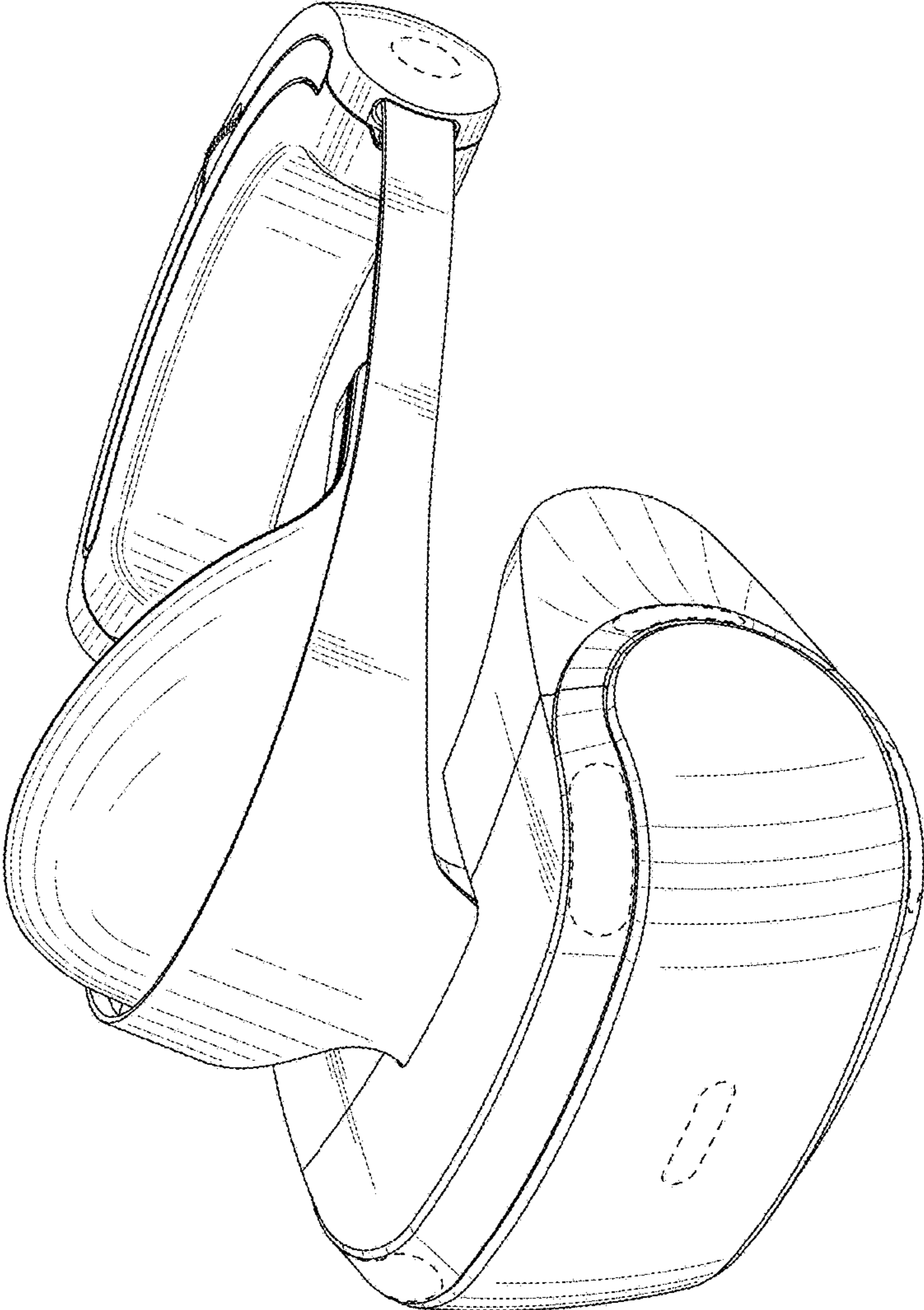


FIG. 1

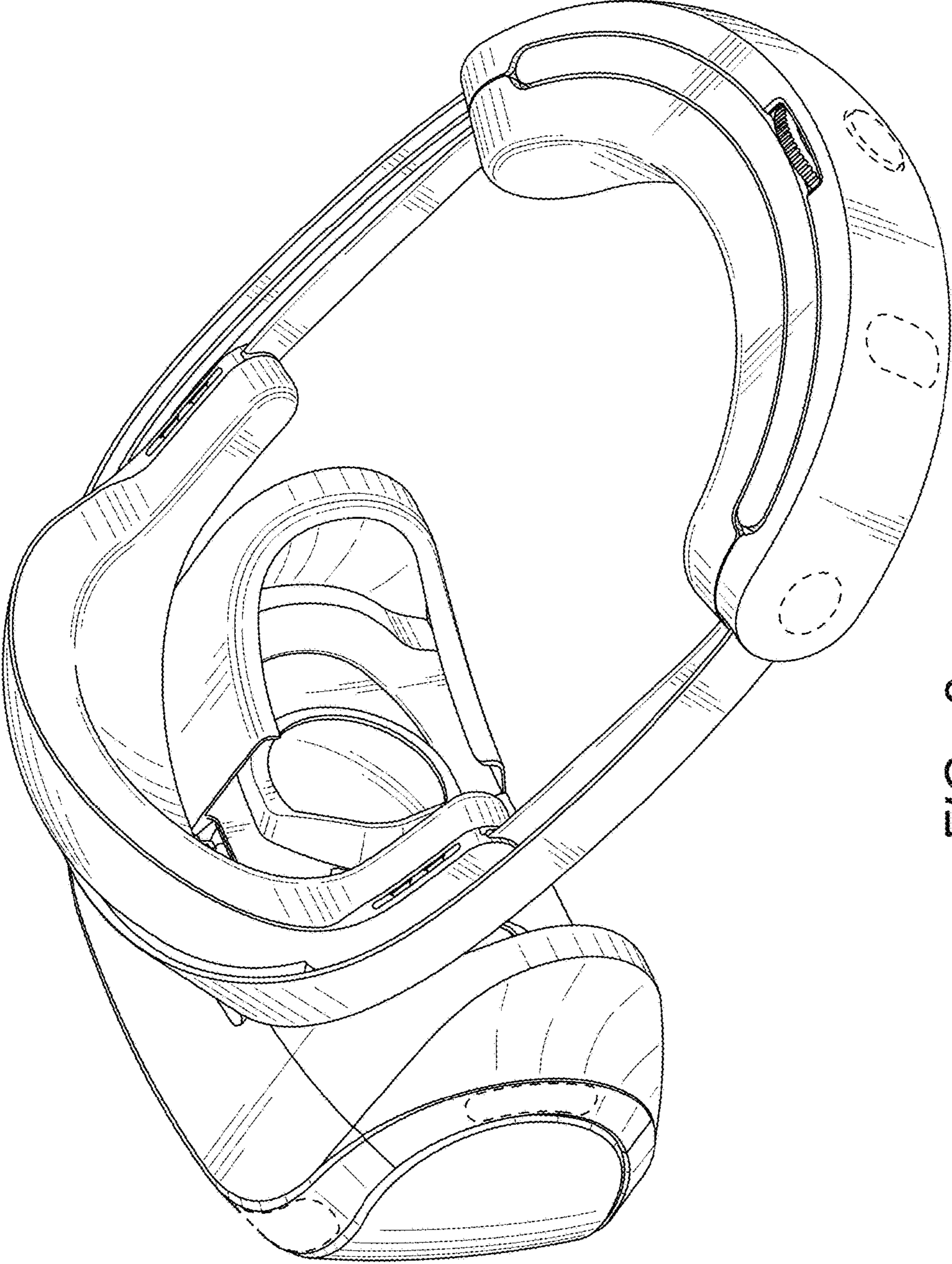


FIG. 2

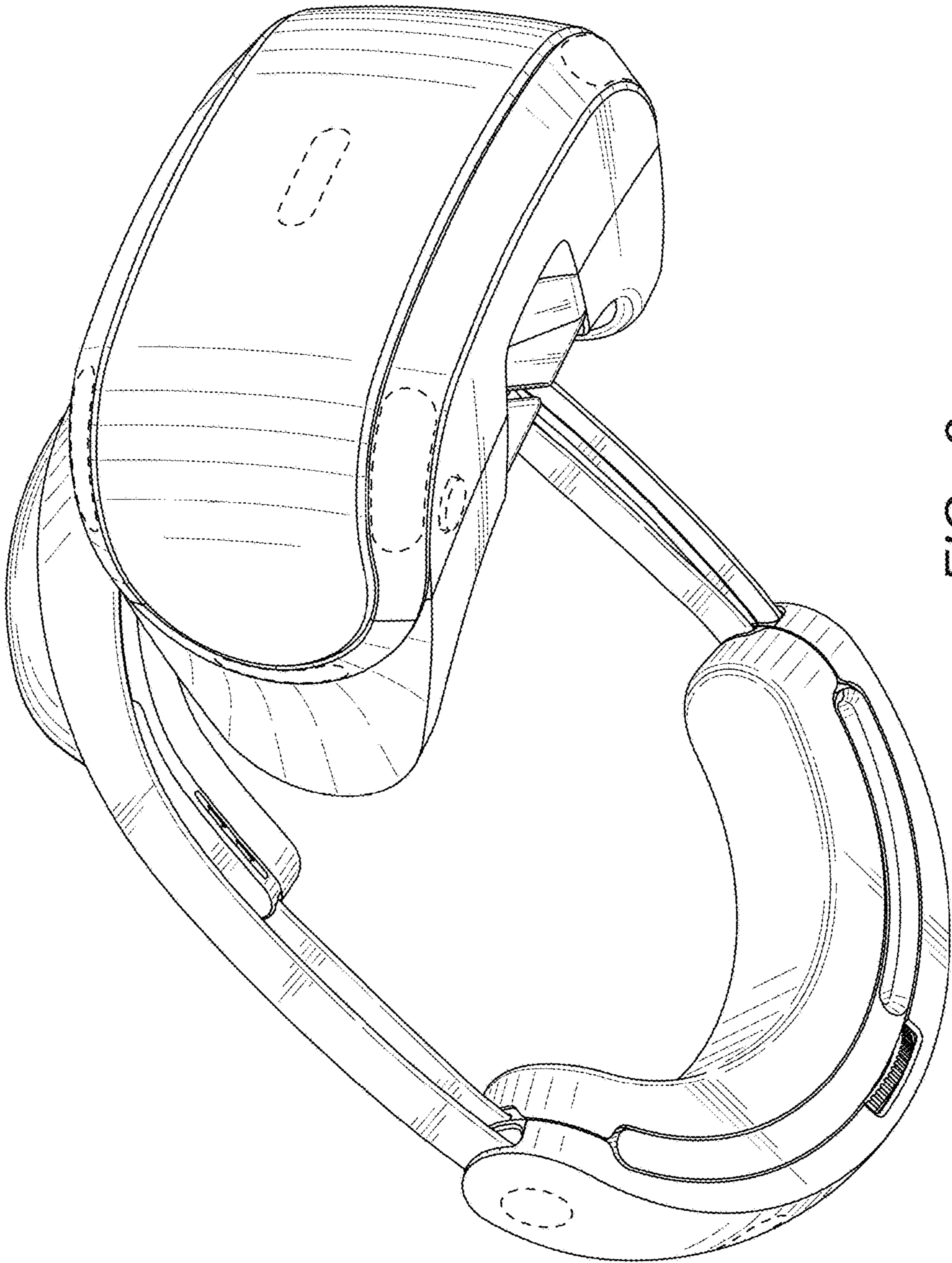


FIG. 3

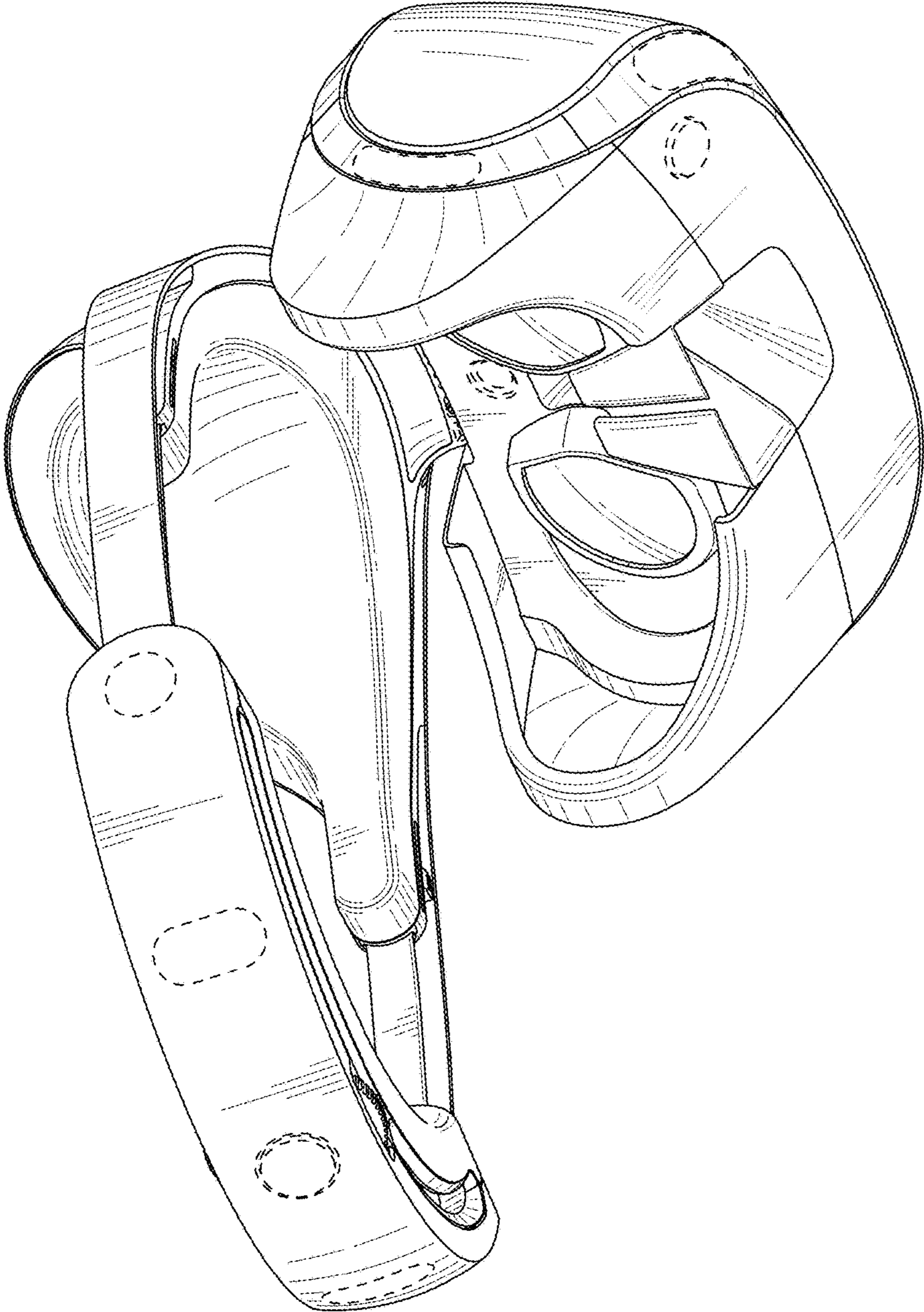


FIG. 4

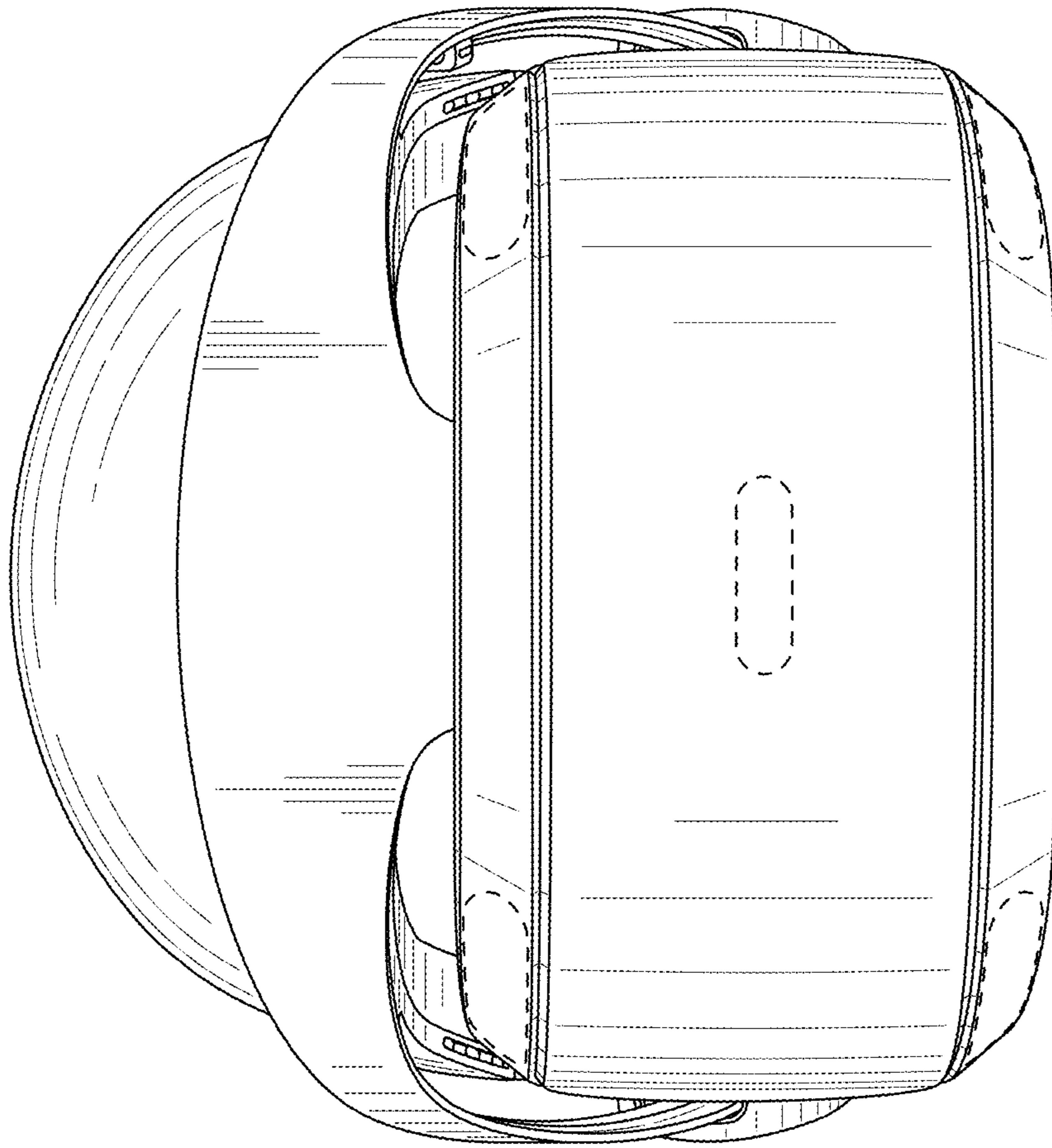


FIG. 5

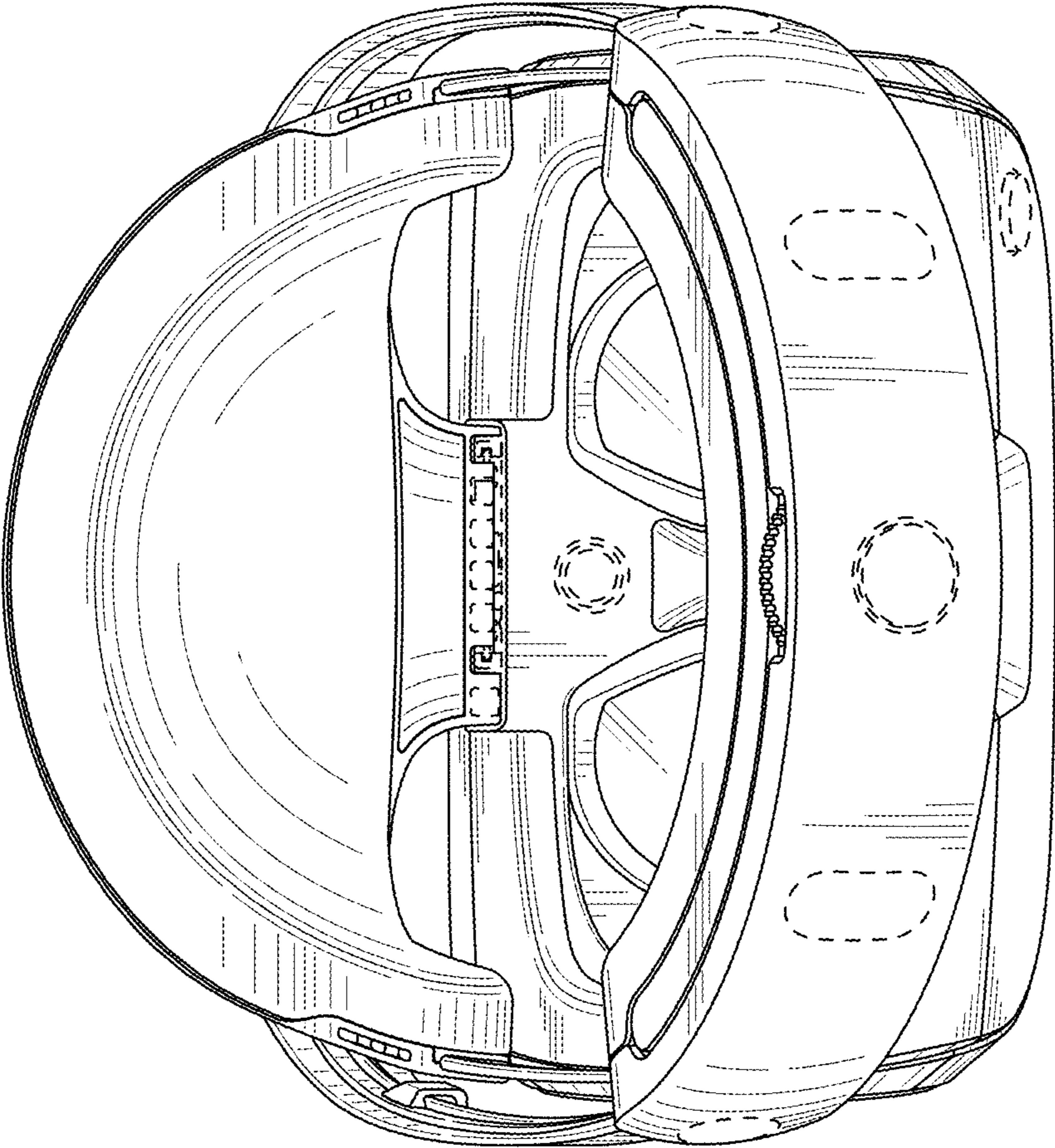


FIG. 6

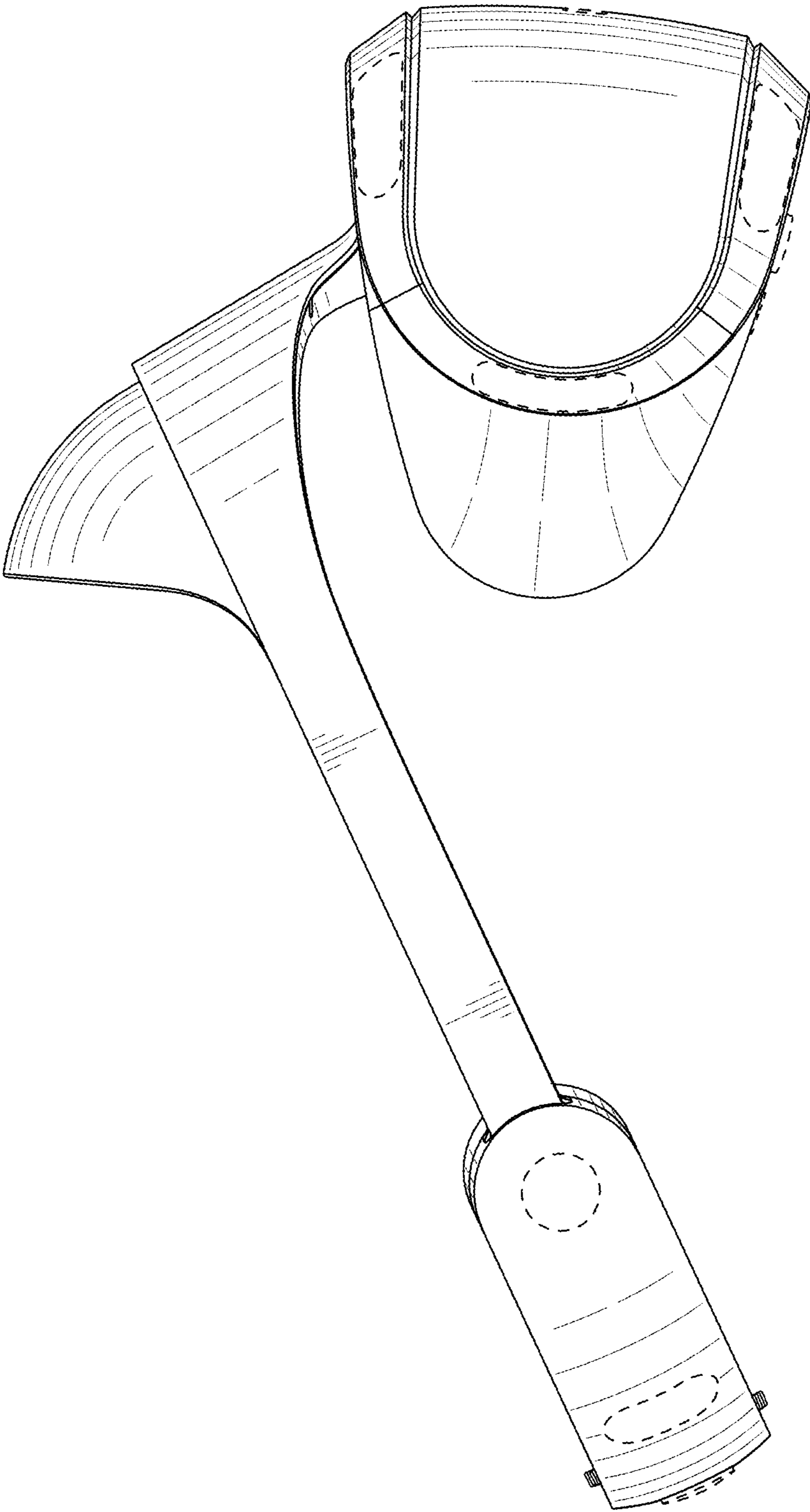


FIG. 7

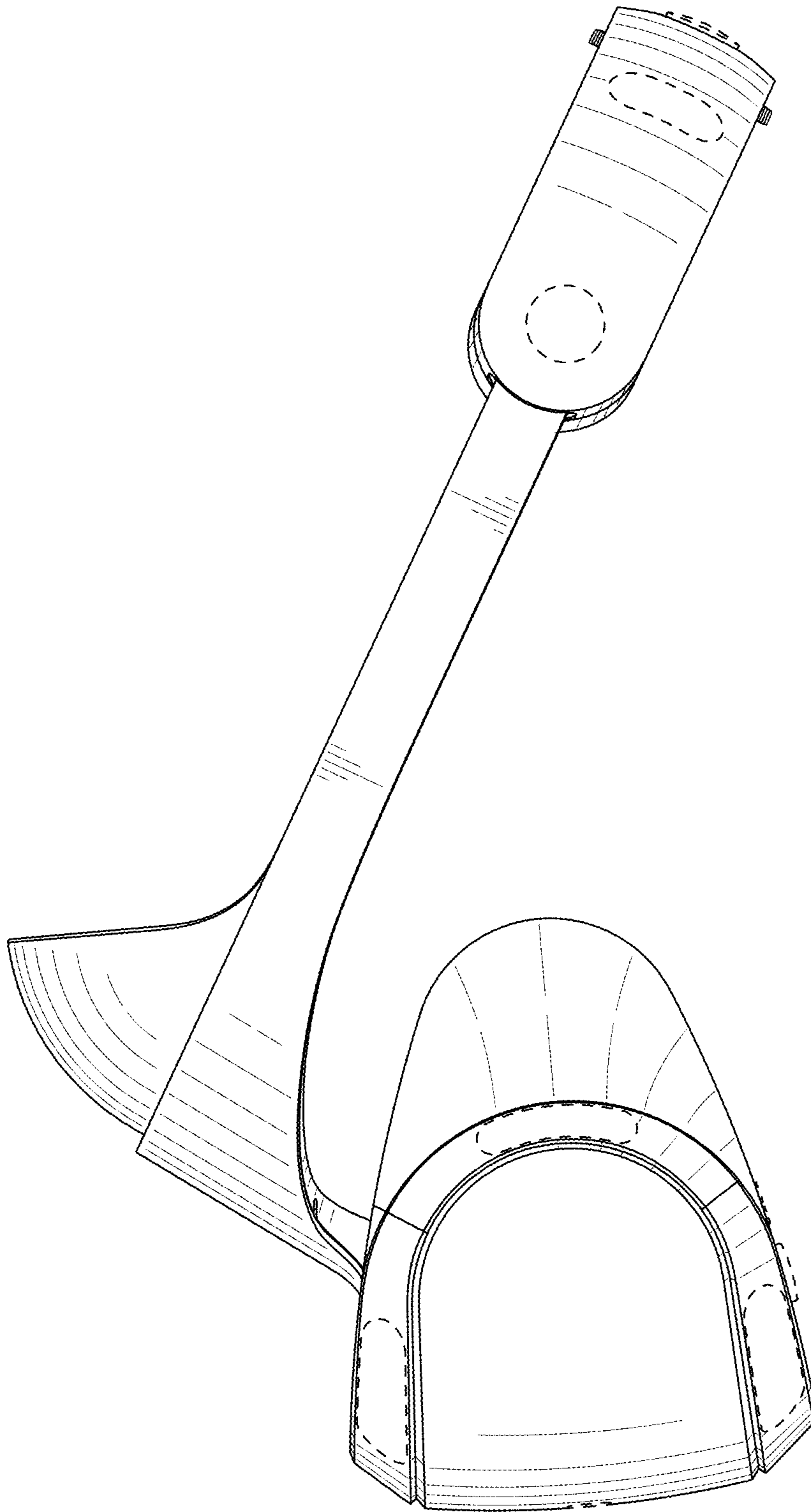


FIG. 8

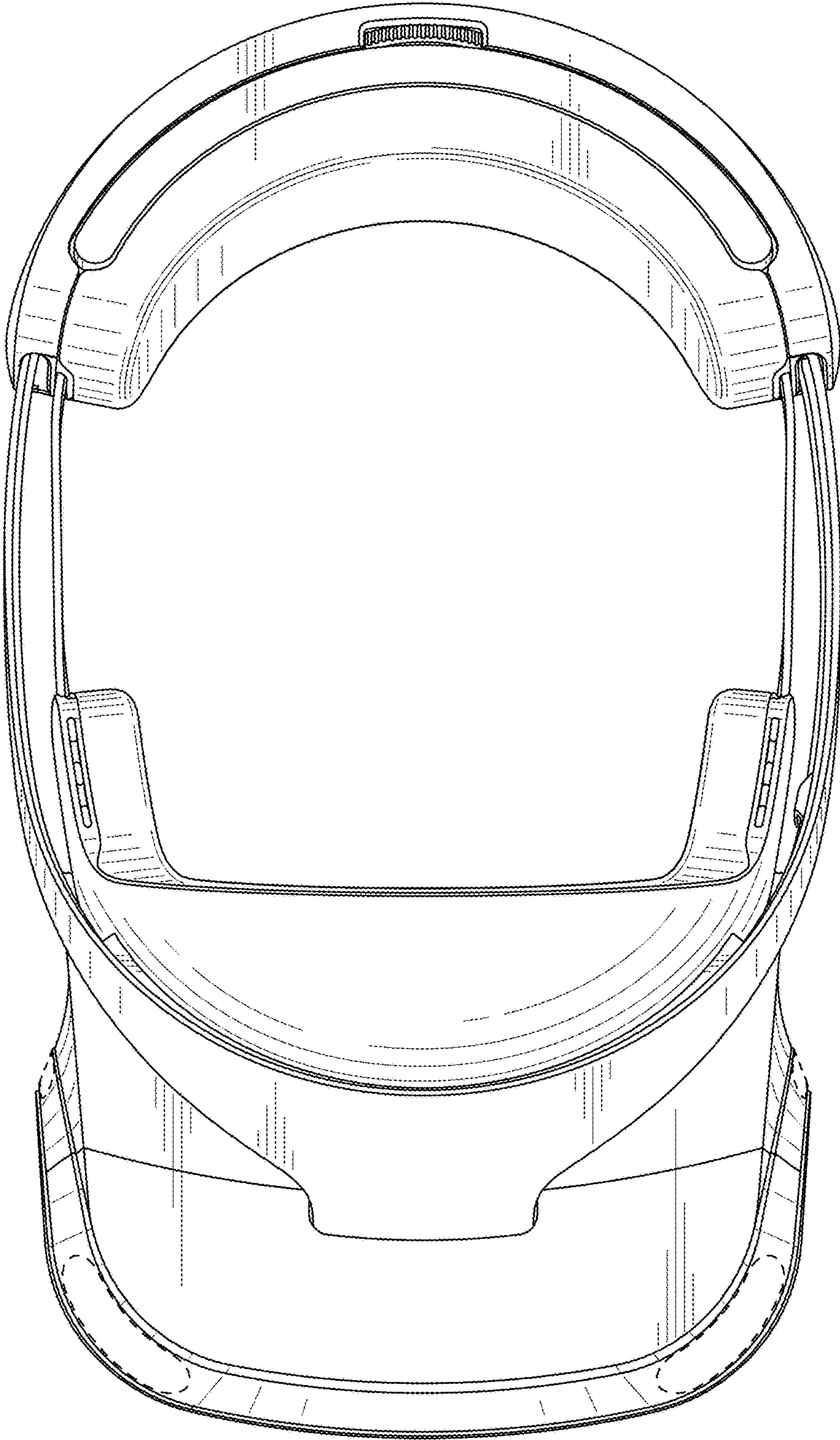


FIG. 9

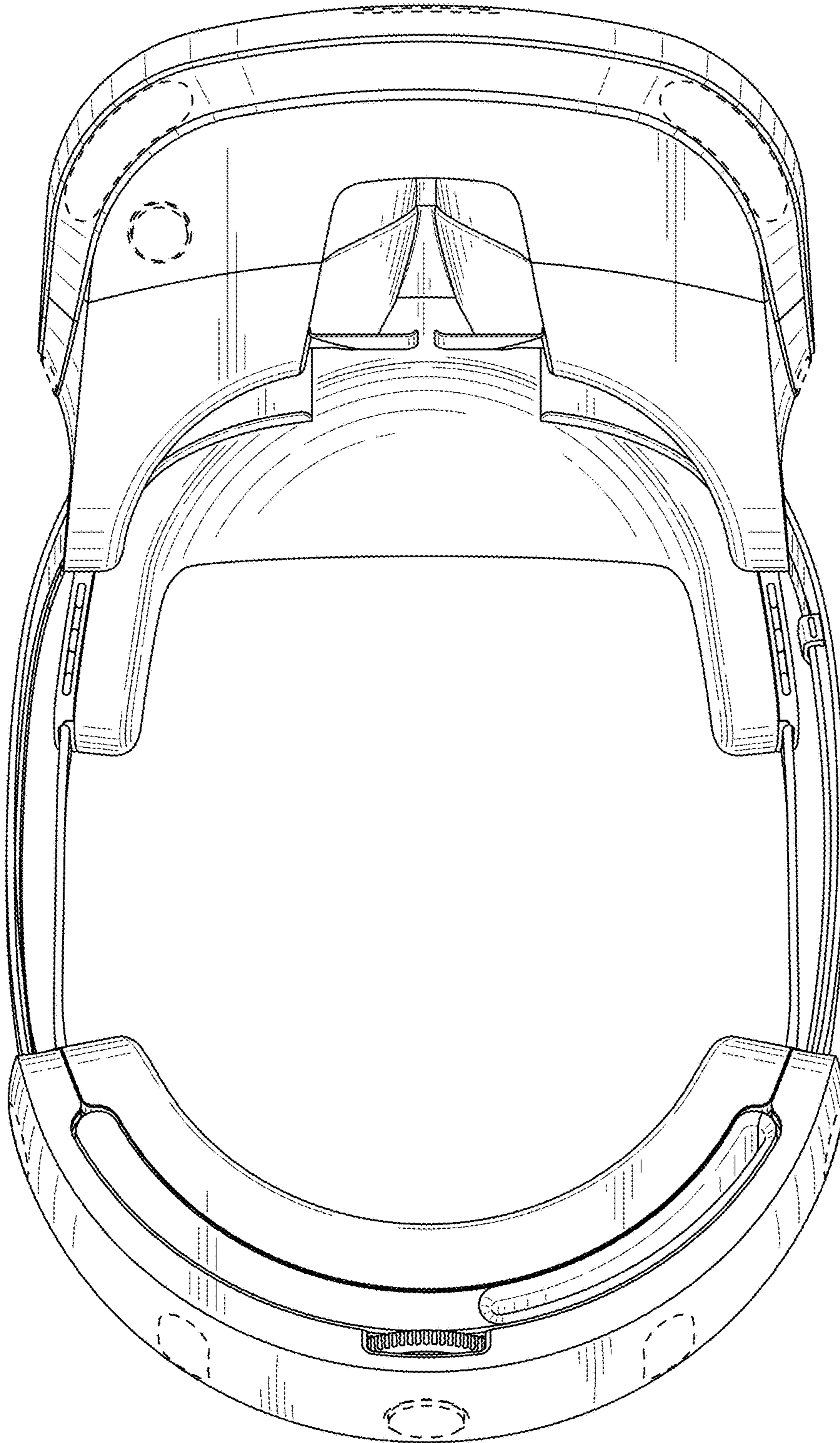


FIG. 10