



US00D778906S

(12) **United States Design Patent** (10) **Patent No.:** **US D778,906 S**  
**Grübel et al.** (45) **Date of Patent:** **\*\* Feb. 14, 2017**

(54) **DATA PROCESSING AND TRANSMISSION DEVICE**  
(71) Applicant: **Sensile Technologies SA**, Morges (CH)  
(72) Inventors: **Edwin Grübel**, Widnau (CH); **Adis Causevic**, Heerbrugg (CH); **Jean-Marc Uehlinger**, Chene-Bougeries (CH)  
(73) Assignee: **SENSILE TECHNOLOGIES SA**, Morges (CH)

1,600,816 A \* 9/1926 Harbert ..... B60T 17/046  
248/295.11  
D161,442 S \* 1/1951 Harmand ..... D10/101  
D278,317 S \* 4/1985 Jelvestam ..... D10/101  
D283,204 S \* 4/1986 McDonald ..... D10/96  
D296,995 S \* 8/1988 Lee ..... D10/46  
D350,076 S \* 8/1994 Frederick ..... D10/101

(Continued)

**FOREIGN PATENT DOCUMENTS**

WO DM/072357 4/2010

**OTHER PUBLICATIONS**

Battery-Powered Telemetry Unit: Netris®. sensile.com. (online) 2 pgs. Page copyright 2014 [retrieved on Sep. 22, 2016] <http://www.sensile.com/solutions/gas-tank/>.\*

(Continued)

*Primary Examiner* — Susan Bennett Hattan  
*Assistant Examiner* — Marie Fast Horse  
(74) *Attorney, Agent, or Firm* — Harness, Dickey & Pierce, P.L.C.

(\*\*) Term: **14 Years**

(21) Appl. No.: **29/521,171**

(22) Filed: **Mar. 20, 2015**

(30) **Foreign Application Priority Data**

Oct. 7, 2014 (EM) ..... 843845101

(51) **LOC (10) Cl.** ..... **14-02**

(52) **U.S. Cl.**  
USPC ..... **D14/358**; D10/101

(58) **Field of Classification Search**  
USPC ..... D14/300, 301, 356–358, 496, 155, 230, D14/235, 236, 237, 238.1, 240, 242, 299; D13/123, 158, 168; D10/96, 99, 100, 101, D10/102, 103, 46, 52, 53, 58, 61, 62; D23/233–235, 200, 207, 209, 210  
CPC ..... G01F 23/00; G01F 23/02; G01F 23/0069; G01F 23/18; G01F 23/26; G01F 23/263; G01F 23/266; G01F 23/284; G01F 23/2962; G01F 17/00; G01F 25/0061; G01F 25/0069; G01F 25/0084; G08B 21/182; G01N 29/30  
See application file for complete search history.

(57) **CLAIM**

The ornamental design for the data processing and transmission device, as shown and described above.

**DESCRIPTION**

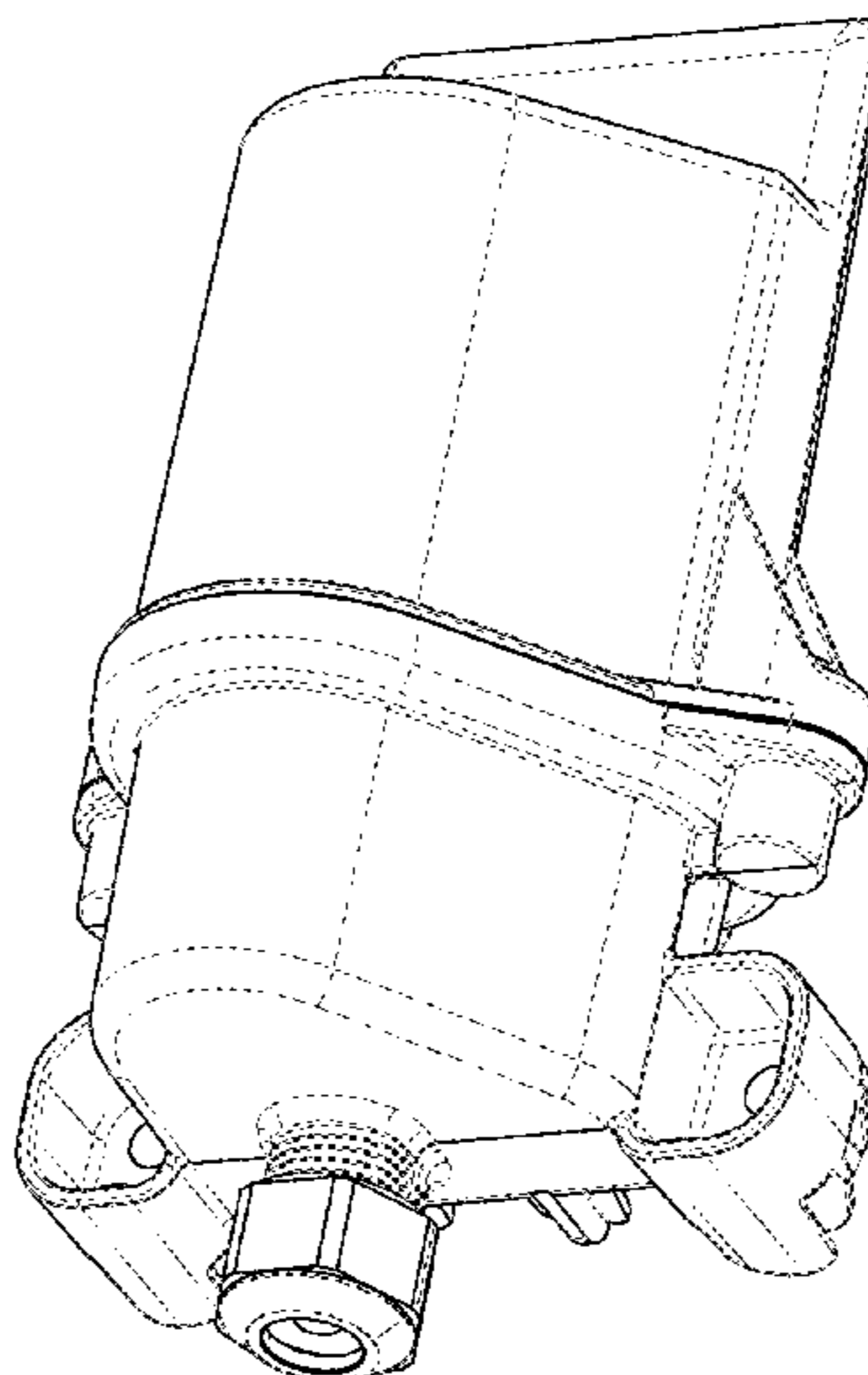
FIG. 1 is a top front perspective view of a data processing and transmission device showing our new design; FIG. 2 is a bottom front perspective view thereof; FIG. 3 is a bottom rear perspective view thereof; FIG. 4 is a front elevational view thereof; FIG. 5 is a rear elevational view thereof; FIG. 6 is a top view thereof; FIG. 7 is a bottom view thereof; FIG. 8 is a left side view thereof; and, FIG. 9 is a right side view thereof.

(56) **References Cited**

**U.S. PATENT DOCUMENTS**

D22,953 S \* 12/1893 Roberts ..... D10/99  
D27,697 S \* 9/1897 Bassett ..... D10/99

**1 Claim, 7 Drawing Sheets**



(56)

References Cited

U.S. PATENT DOCUMENTS

D428,876 S \* 8/2000 Renkis ..... D14/230  
 D432,933 S \* 10/2000 Einck ..... D10/101  
 D477,287 S \* 7/2003 Roman ..... D13/162  
 7,347,089 B1 \* 3/2008 Kelley ..... G01F 17/00  
 73/149  
 D579,008 S \* 10/2008 Su ..... D14/230  
 D579,009 S \* 10/2008 Su ..... D14/230  
 D589,044 S \* 3/2009 Yoshida ..... D14/358  
 D590,393 S \* 4/2009 Millar ..... D14/358  
 D595,275 S \* 6/2009 Skottke ..... D14/230  
 D602,387 S \* 10/2009 Chen ..... D10/101  
 D603,738 S \* 11/2009 Nies ..... D10/101  
 D614,610 S \* 4/2010 Sala ..... D14/230  
 D622,709 S \* 8/2010 Hern ..... D14/230  
 D662,000 S \* 6/2012 Ross, Jr. .... D10/101  
 D662,001 S \* 6/2012 Ross, Jr. .... D10/101  
 D662,844 S \* 7/2012 Guerrero ..... D10/96  
 D668,572 S \* 10/2012 Farmanyany ..... D10/101  
 8,339,269 B2 \* 12/2012 Sherron ..... G01F 23/242  
 340/618  
 D687,733 S \* 8/2013 Velado ..... D10/101  
 D694,140 S \* 11/2013 Betsinger ..... D10/101  
 D696,642 S \* 12/2013 Jia ..... D14/155  
 D698,678 S \* 2/2014 Varini ..... D10/96  
 D707,145 S \* 6/2014 McLean ..... D10/100  
 D708,532 S \* 7/2014 Reichardt ..... D10/96  
 D736,657 S \* 8/2015 Detering ..... D10/46  
 D743,815 S \* 11/2015 Janu ..... D10/46  
 D749,435 S \* 2/2016 Rodgers ..... D10/101  
 D749,578 S \* 2/2016 Takano ..... D14/358

D755,656 S \* 5/2016 Betsinger ..... D10/101  
 D758,541 S \* 6/2016 Keller ..... D23/233  
 2003/0152140 A1 \* 8/2003 Antoniak ..... G08C 15/12  
 375/219  
 2006/0225499 A1 \* 10/2006 Gravel ..... G01F 23/284  
 73/290 V  
 2006/0243345 A1 \* 11/2006 Lease ..... G01F 23/0069  
 141/95  
 2007/0063869 A1 \* 3/2007 Haswell ..... B60C 23/0408  
 340/870.07  
 2009/0153357 A1 \* 6/2009 Bushman ..... G01D 4/008  
 340/870.02  
 2013/0341495 A1 \* 12/2013 Fabbri ..... G01S 7/493  
 250/214.1  
 2014/0083183 A1 \* 3/2014 Edvardsson ..... G01F 25/0061  
 73/290 V  
 2014/0261884 A1 \* 9/2014 Quang ..... B67D 7/465  
 141/196  
 2016/0187179 A1 \* 6/2016 Hrcir ..... F16B 33/004  
 73/304 C

OTHER PUBLICATIONS

Netris2\_datasheet-201603. sensile.com. (online) 2 pgs. uploaded  
 Mar. 2016 [retrieved on Sep. 22, 2016] [http://www.sensile.com/wp-content/uploads/2016/03/NETRIS2\\_datasheet-201603.pdf](http://www.sensile.com/wp-content/uploads/2016/03/NETRIS2_datasheet-201603.pdf).  
 Fast and easy Installation of Netris(Sensile Technologies). youtube.  
 com. (online) 1 pgs. uploaded Oct. 18, 2011 [retrieved on Sep. 22,  
 2016] <https://www.youtube.com/watch?v=AoK6BbkF-FY>.

\* cited by examiner

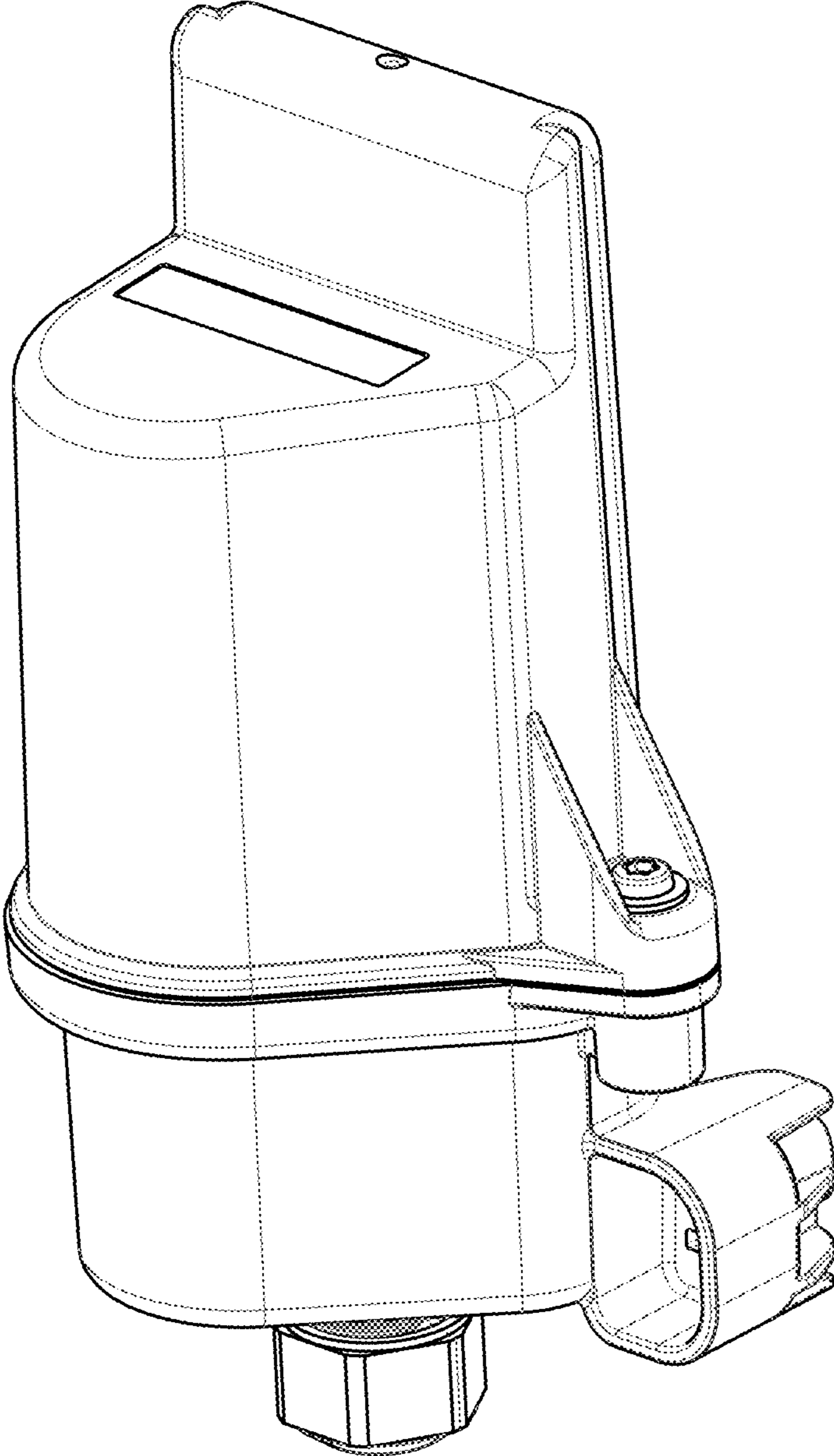


FIG. 1

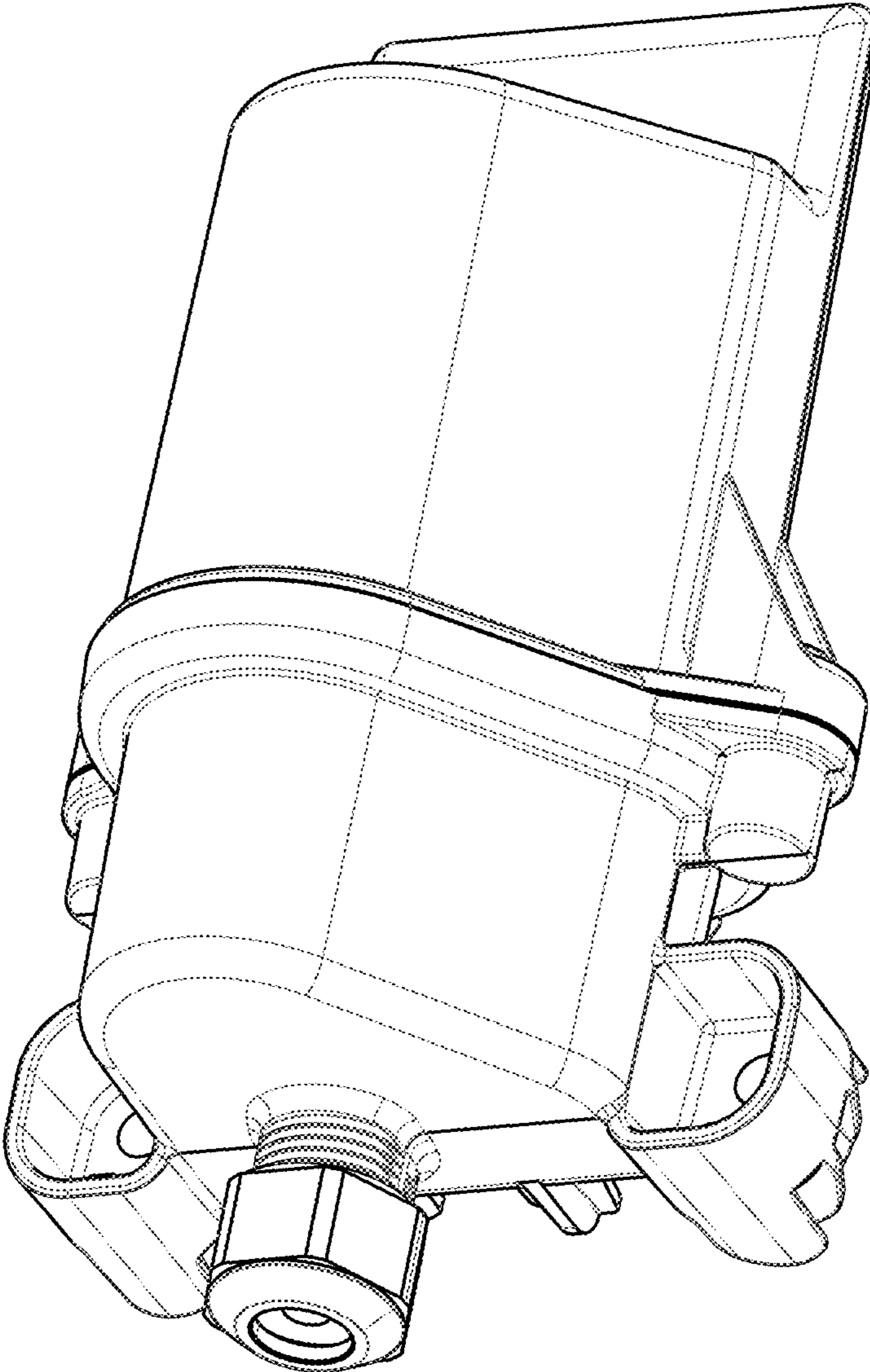


FIG. 2

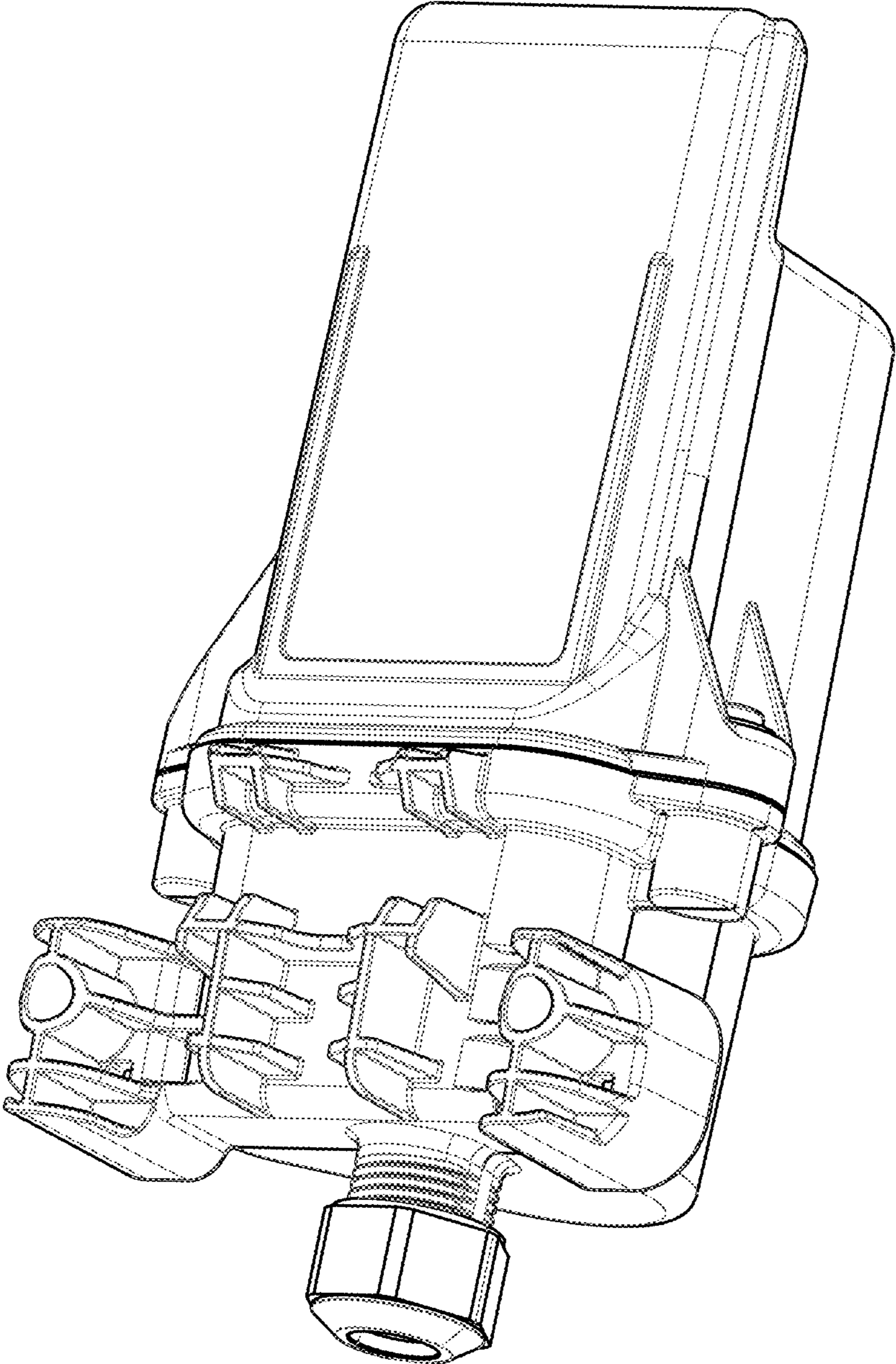


FIG. 3

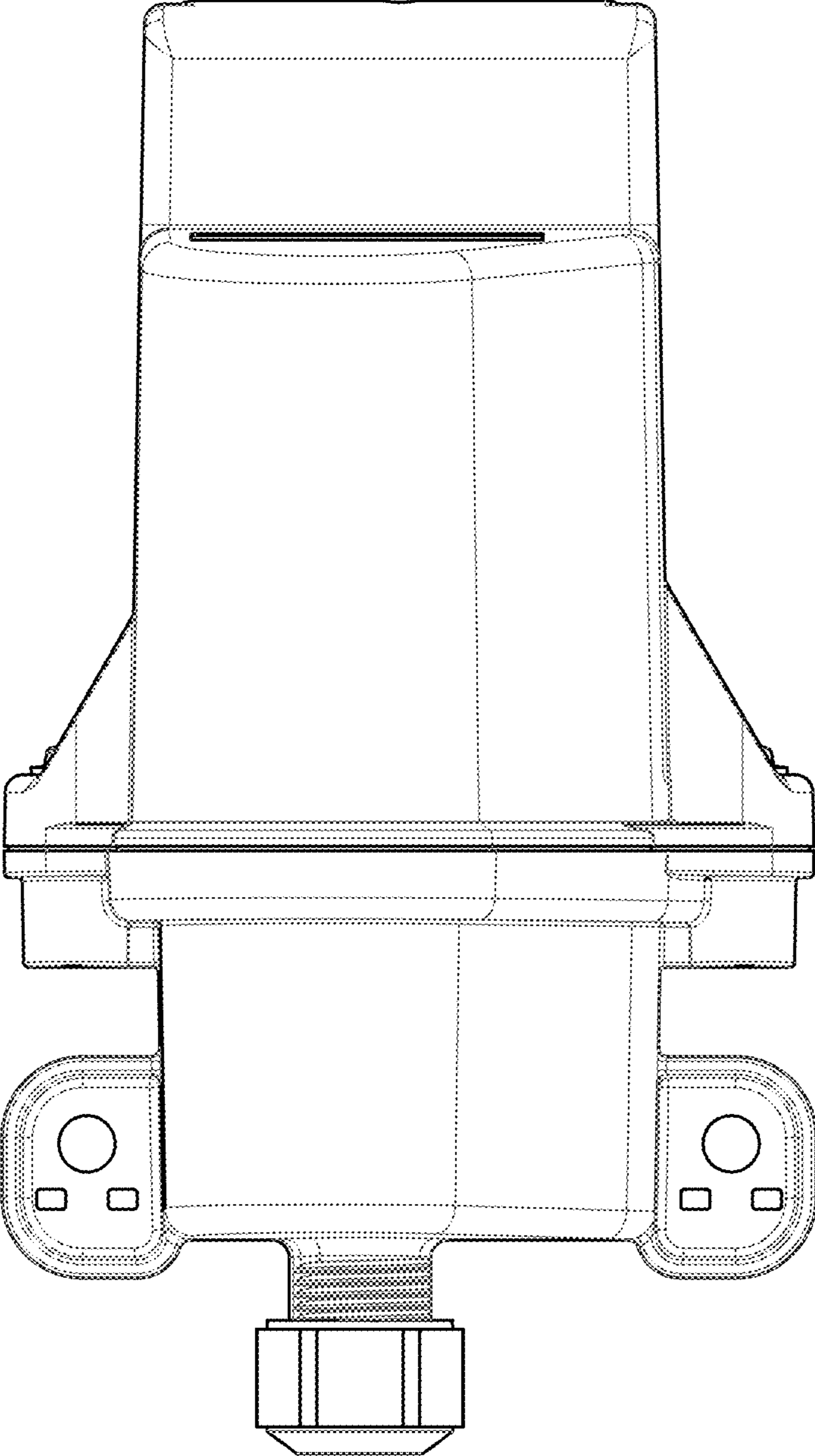


FIG. 4

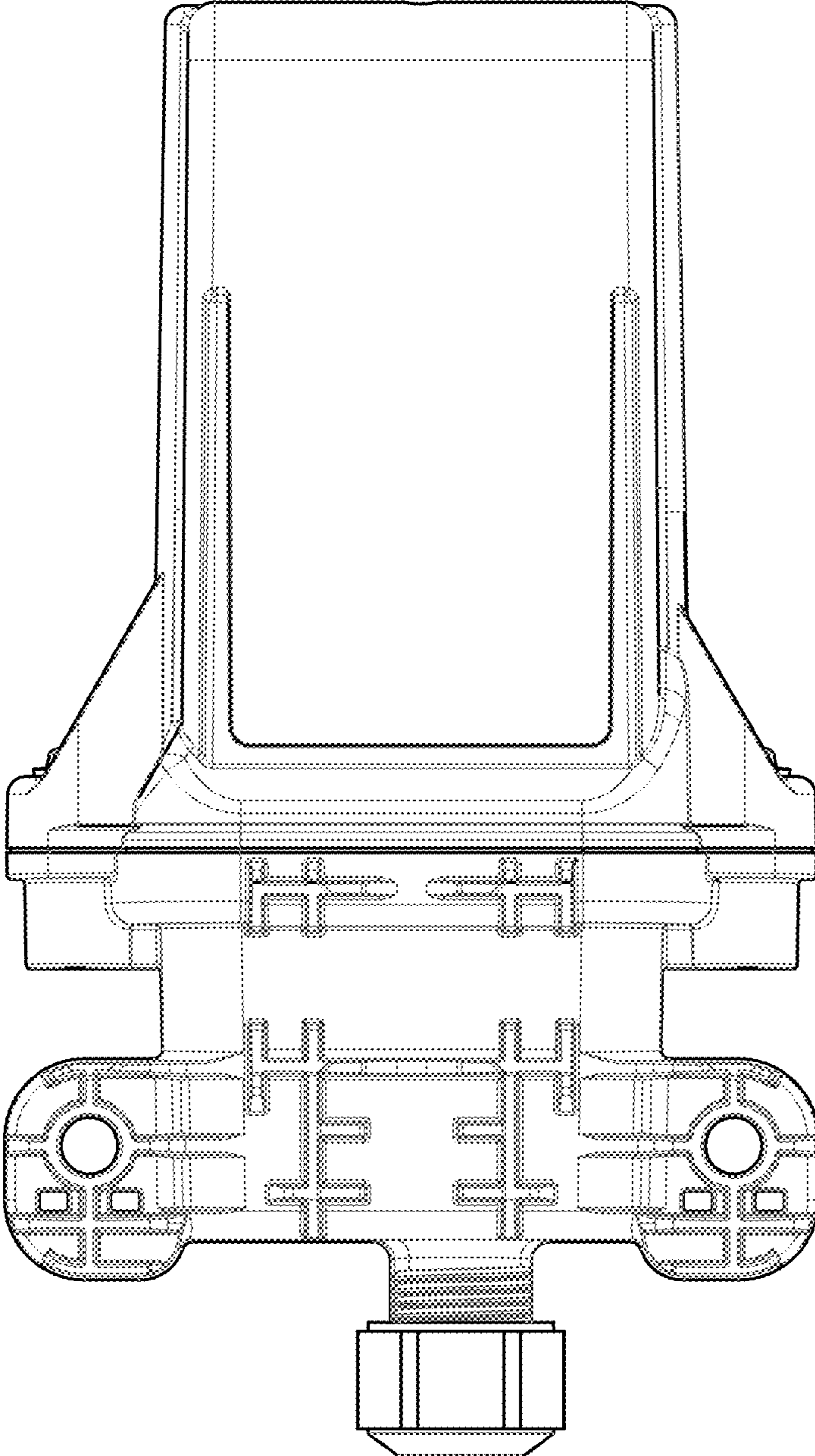


FIG. 5

FIG. 6

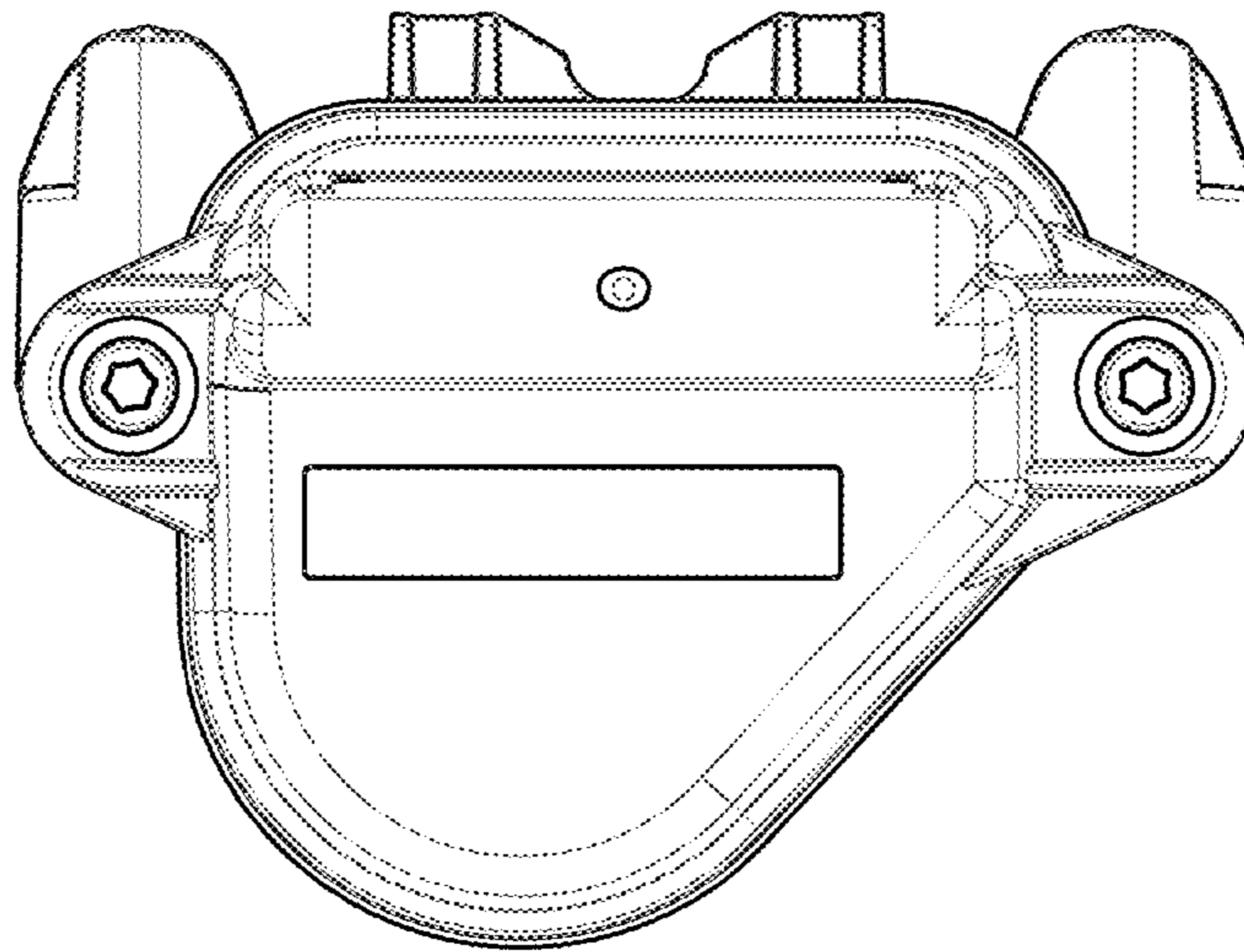
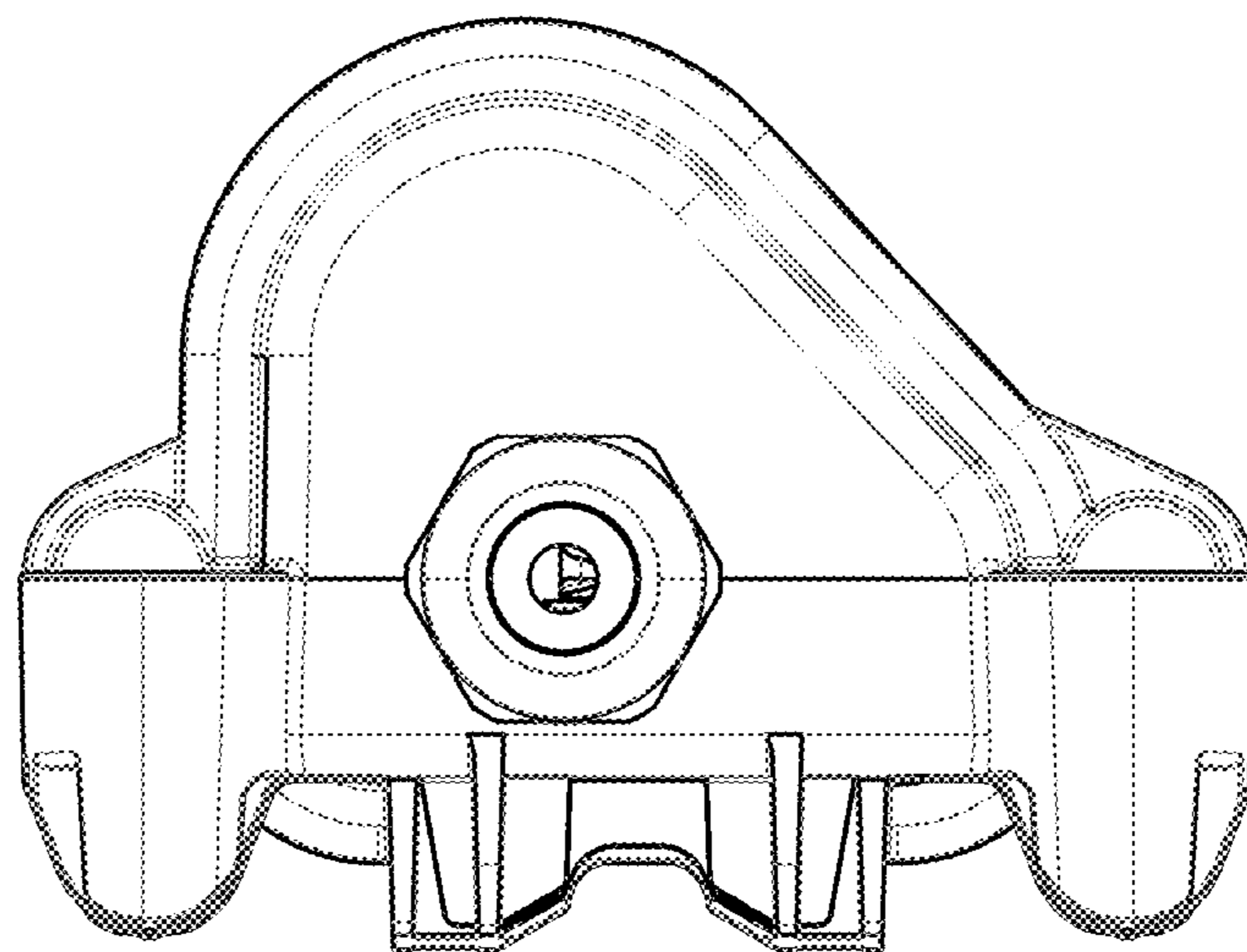


FIG. 7





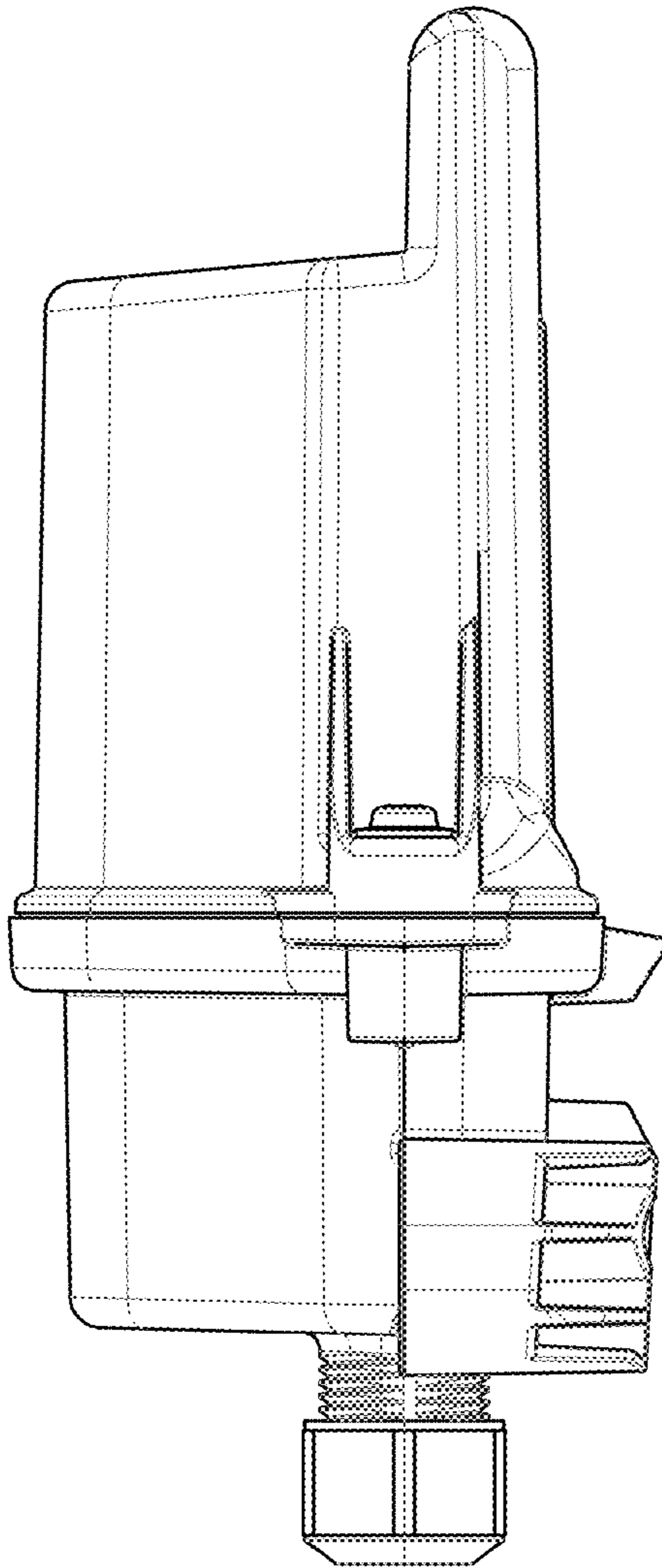


FIG. 8

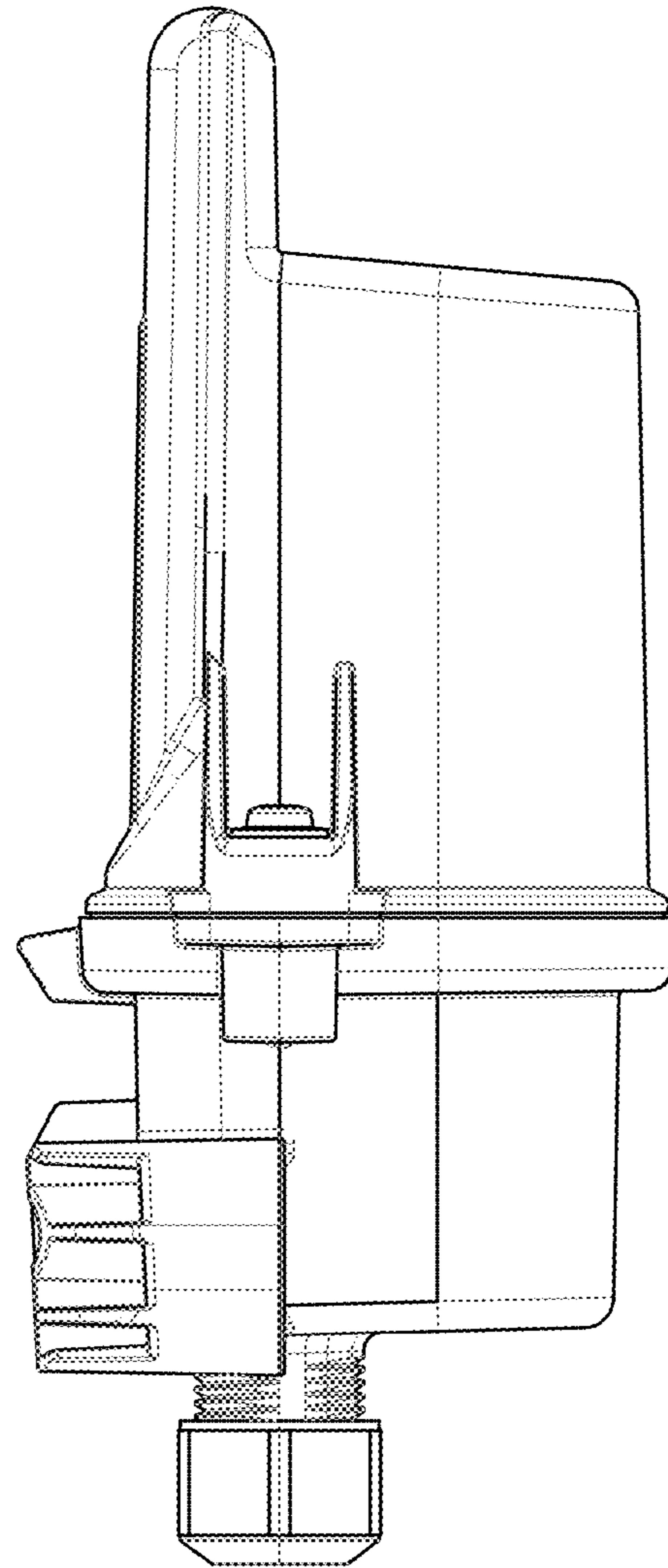


FIG. 9