



US00D778903S

(12) **United States Design Patent** (10) **Patent No.:** **US D778,903 S**
Tsai (45) **Date of Patent:** **** Feb. 14, 2017**

(54) **TABLET COMPUTER**

(71) Applicant: **GETAC TECHNOLOGY CORPORATION**, Hsinchu County (TW)

(72) Inventor: **Wan-Hua Tsai**, Taipei (TW)

(73) Assignee: **Getac Technology Corporation**, Hsinchu County (TW)

(**) Term: **15 Years**

(21) Appl. No.: **29/532,756**

(22) Filed: **Jul. 9, 2015**

(51) **LOC (10) Cl.** **14-02**

(52) **U.S. Cl.**
USPC **D14/341**

(58) **Field of Classification Search**

USPC D14/341–347, 137, 138 R, 138 AA, D14/138 AB, 138 C, 138 G, 203.1, 203.3, D14/203.4, 203.7, 129, 130, 147, 218, D14/247, 248, 332, 388, 389, 315–318, D14/374, 420, 426, 429, 489, 492, 496; D10/50, 65, 70, 104.1; D18/6; D21/324, D21/329, 330, 332
CPC G06F 1/1613; G06F 1/1647; G06F 1/1641; G06F 3/04883; G06F 3/0486; G06F 3/04847; G06F 3/04845; G06F 3/04817; G06F 3/0484; H04M 1/0279; H04M 1/0281; H04M 1/0283; A63H 33/3016
See application file for complete search history.

(56) **References Cited**

U.S. PATENT DOCUMENTS

D279,489 S * 7/1985 Mak D21/469
D338,045 S * 8/1993 Rosen D14/400

(Continued)

OTHER PUBLICATIONS

GETAC RX10H—Full Rugged Medical Tablet, announced 2016 [online], [site visited Oct. 12, 2016]. Available from Internet, URL: <<http://www.fieldworks.nl/getac-rx10h-full-rugged-medical-tablet.html>>.*

Primary Examiner — Barbara Fox
Assistant Examiner — Dana K Weiland

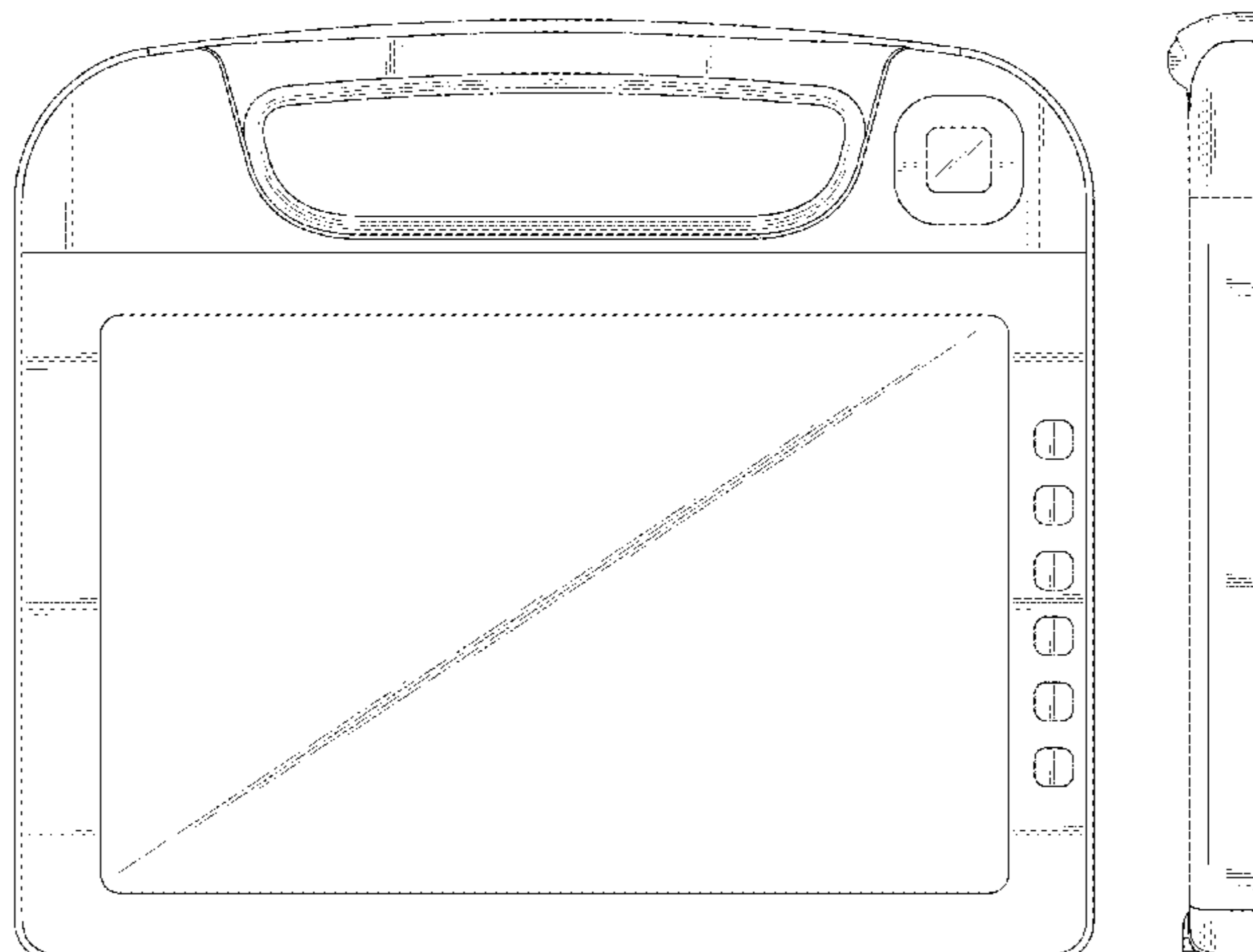
(57) **CLAIM**

The ornamental design for a tablet computer, as shown and described.

DESCRIPTION

FIG. 1 is a top front left perspective view of a tablet computer showing the new design in a first embodiment; FIG. 2 is a bottom rear right perspective view thereof; FIG. 3 is a front view thereof; FIG. 4 is a rear view thereof; FIG. 5 is a left side view thereof; FIG. 6 is a right side view thereof; FIG. 7 is a top view thereof; FIG. 8 is a bottom view thereof; FIG. 9 is a top front left perspective view of a tablet computer showing the new design in a second embodiment; FIG. 10 is a bottom rear right perspective view thereof; FIG. 11 is a front view thereof; FIG. 12 is a rear view thereof; FIG. 13 is a left side view thereof; FIG. 14 is a right side view thereof; FIG. 15 is a top view thereof; FIG. 16 is a bottom view thereof; FIG. 17 is a top front left perspective view of a tablet computer showing the new design in a third embodiment; FIG. 18 is a bottom rear right perspective view thereof; FIG. 19 is a front view thereof; FIG. 20 is a rear view thereof; FIG. 21 is a left side view thereof; FIG. 22 is a right side view thereof; FIG. 23 is a top view thereof; and, FIG. 24 is a bottom view thereof.

1 Claim, 18 Drawing Sheets



(56)

References Cited

U.S. PATENT DOCUMENTS

D342,510	S	*	12/1993	Senda	D14/129
D363,511	S	*	10/1995	Hui	D14/341
D455,424	S	*	4/2002	Sheth	D14/305
D470,140	S	*	2/2003	Lin	D14/375
D492,303	S	*	6/2004	Schlieffers	D14/341
D493,787	S	*	8/2004	Avery	D14/345
D524,326	S	*	7/2006	Meng	D14/203.7
D537,883	S	*	3/2007	Gunter	D20/10
D541,769	S	*	5/2007	Hoehn	D14/126
D547,772	S	*	7/2007	Hou	D14/496
D569,815	S	*	5/2008	Otani	D14/126
D594,004	S	*	6/2009	Takemasa	D14/341
D609,703	S	*	2/2010	Negroponte	D14/316
D612,375	S	*	3/2010	Oikawa	D14/341
D623,182	S	*	9/2010	Patil	D14/316
D634,320	S	*	3/2011	Bliven	D14/336
D663,319	S	*	7/2012	Chen	D14/203.3
D688,223	S	*	8/2013	Oh	D14/138 G
D689,056	S	*	9/2013	Li	D14/440
D691,144	S	*	10/2013	Peters	D14/440
D691,146	S	*	10/2013	Perez	D14/440
D694,246	S	*	11/2013	Park	D14/440
D698,679	S	*	2/2014	Lindley	D10/106.9
D703,664	S	*	4/2014	Spiro	D14/341
D712,412	S	*	9/2014	Bleau	D14/440
D716,290	S	*	10/2014	Lim	D14/314
D720,346	S	*	12/2014	Davis	D14/341
D724,581	S	*	3/2015	Johnson	D14/341
D727,917	S	*	4/2015	Yeo	D14/440

* cited by examiner

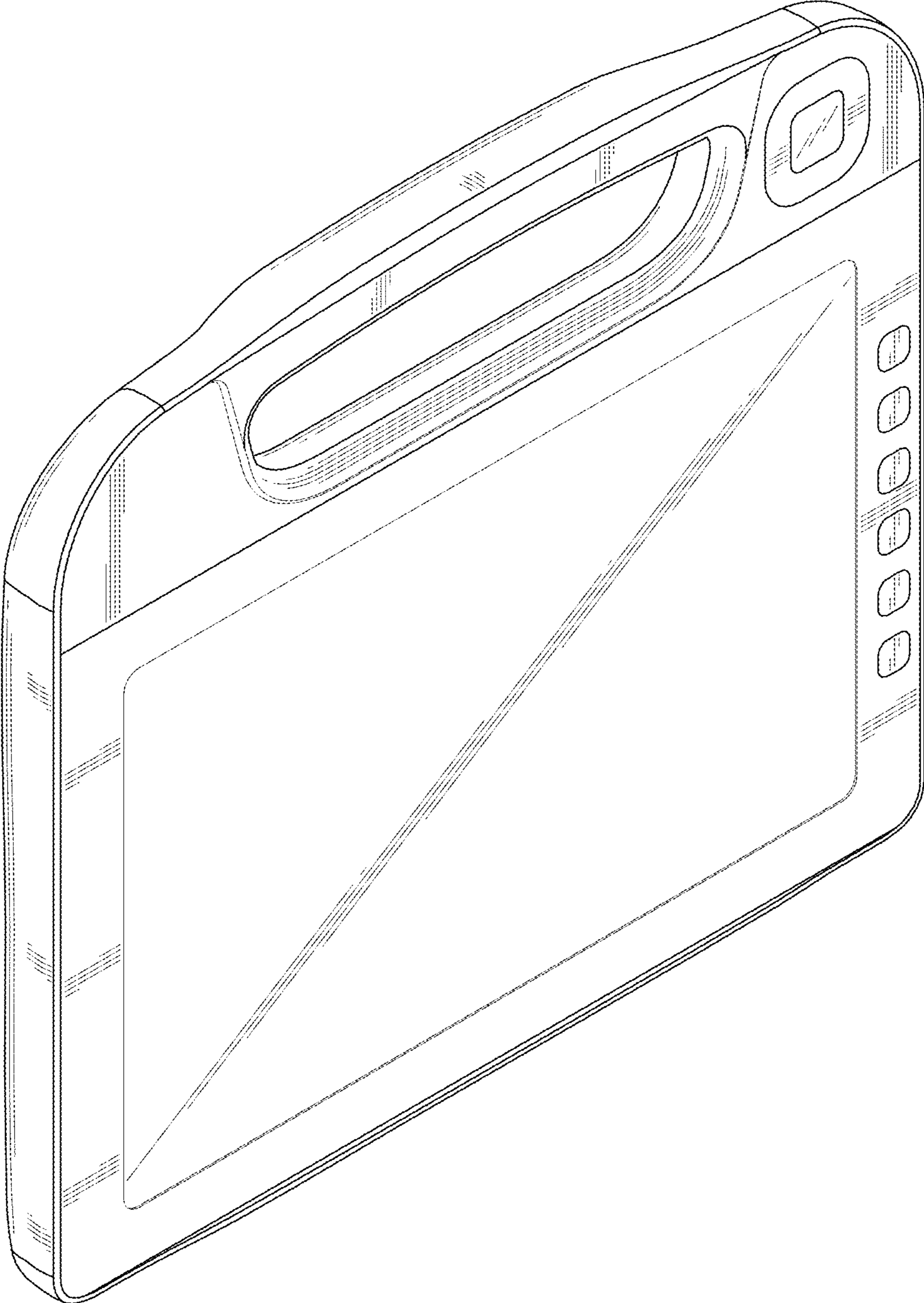


FIG. 1

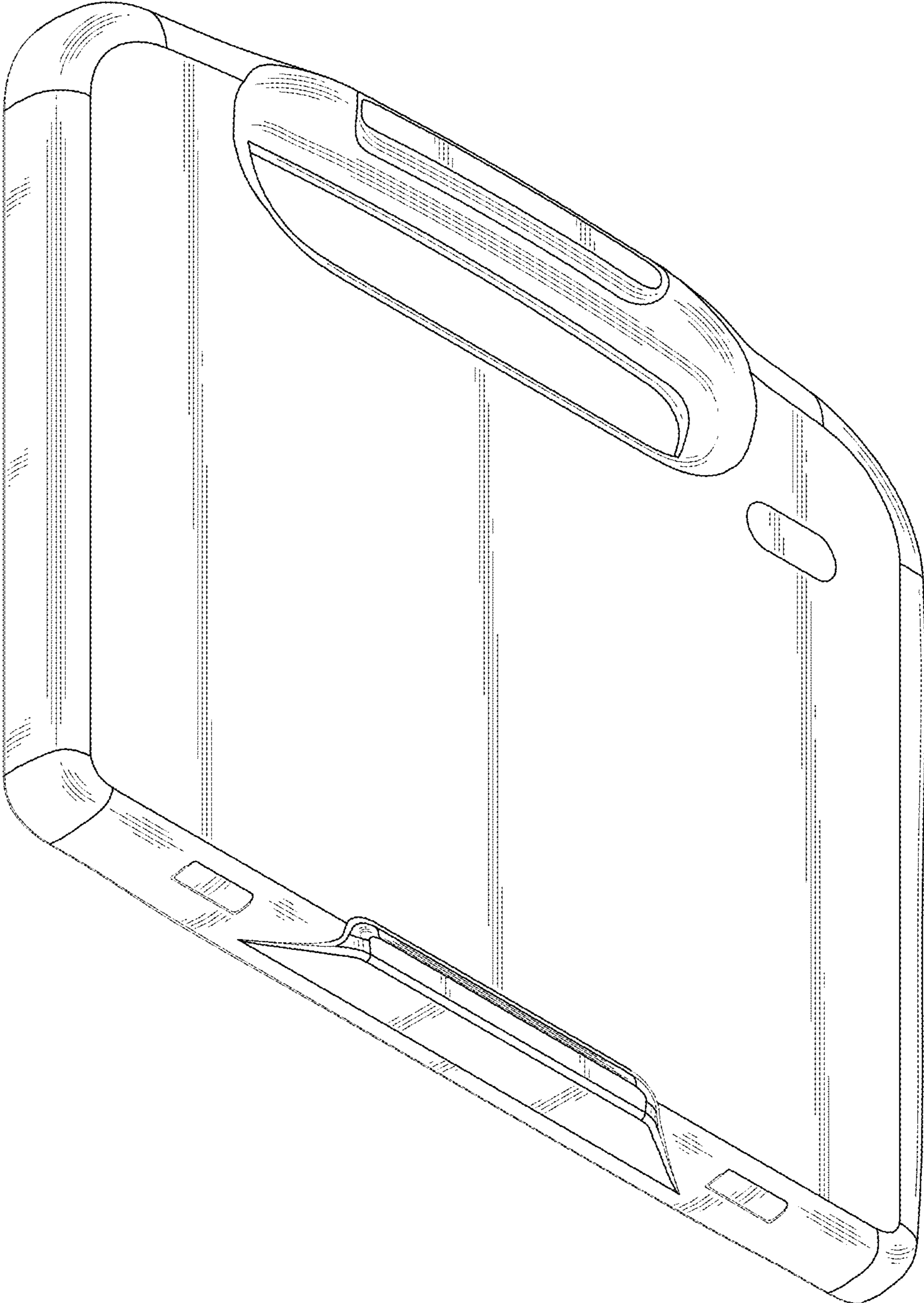


FIG.2

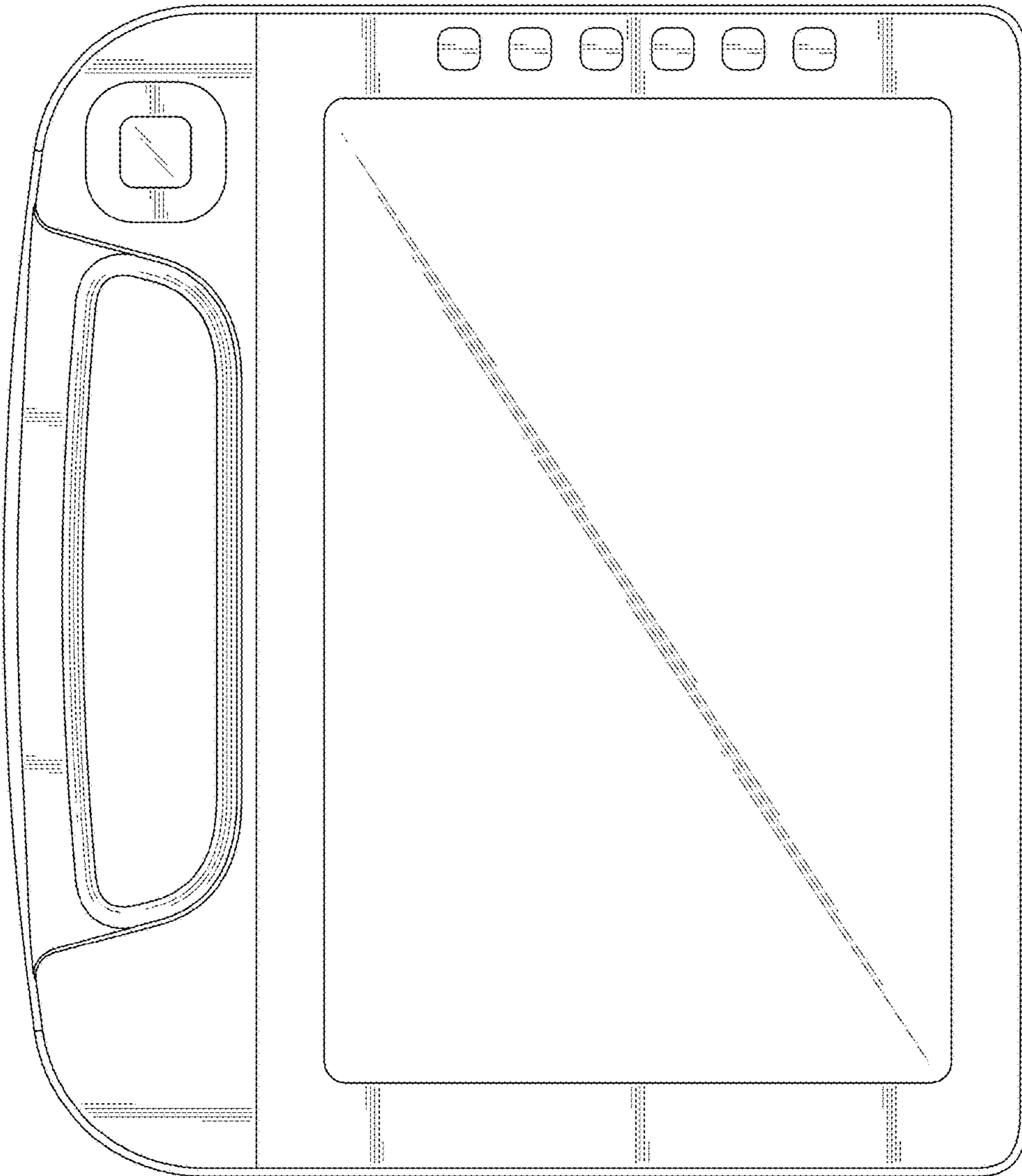


FIG.3

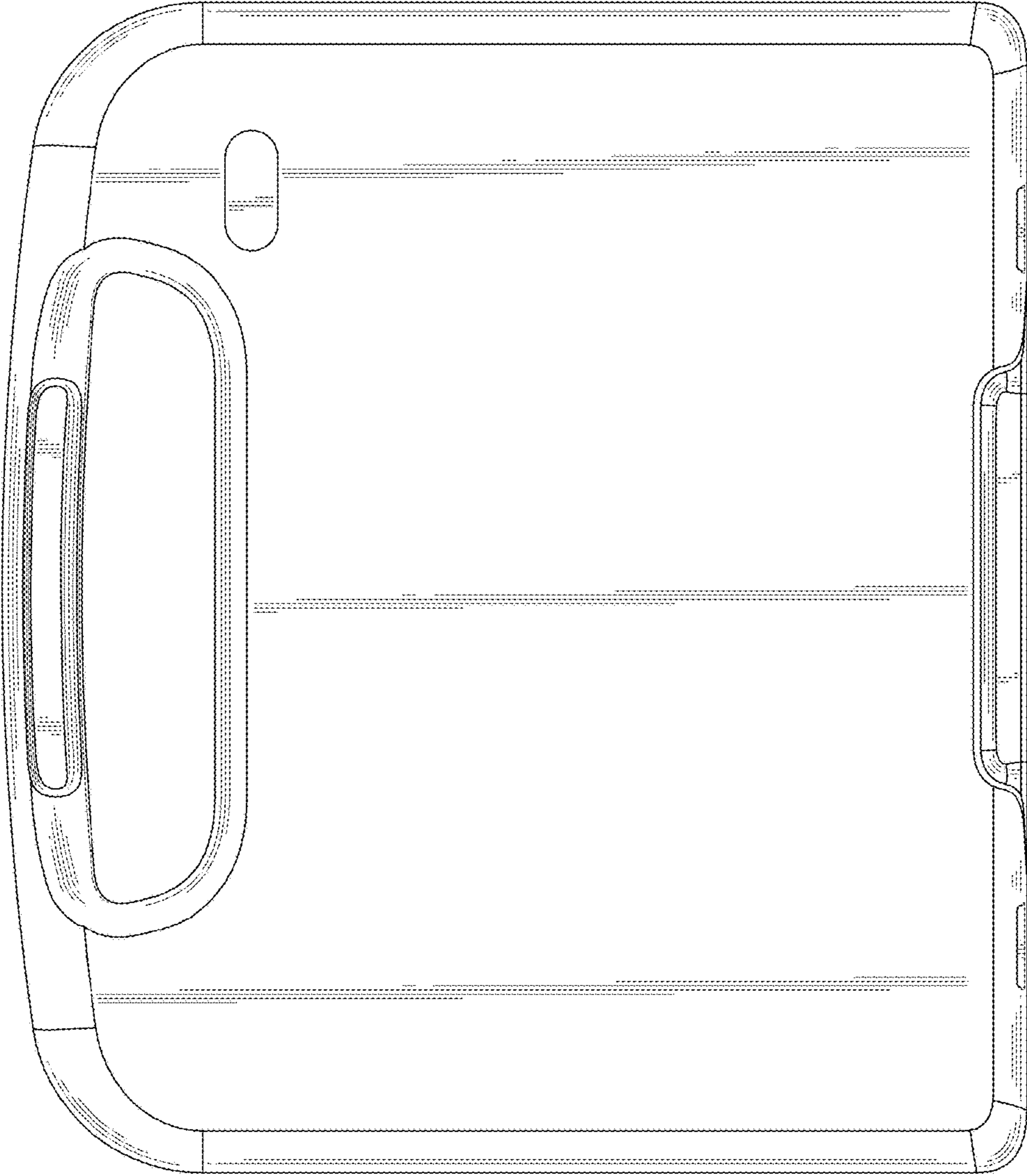


FIG.4

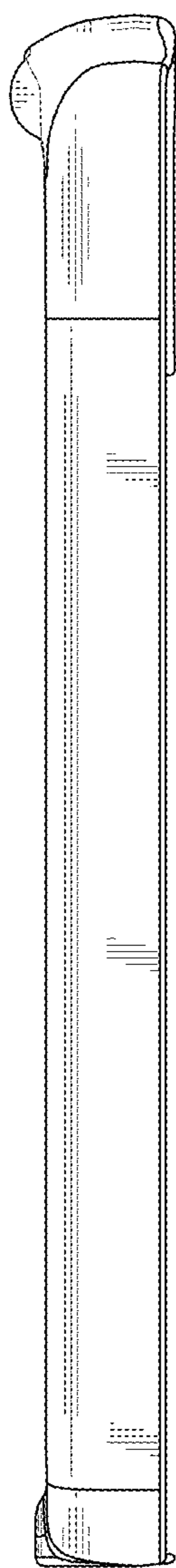


FIG. 5

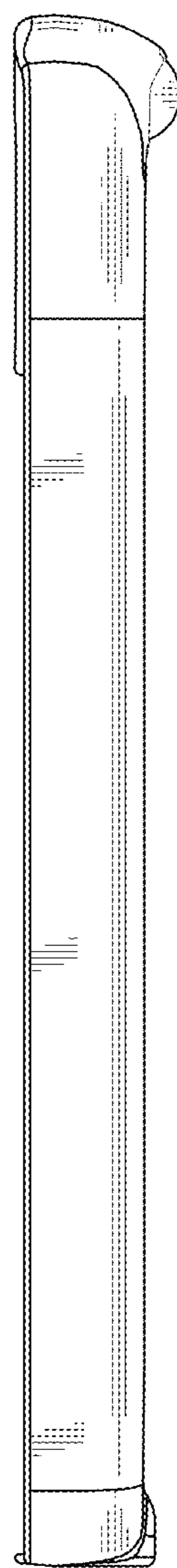


FIG. 6

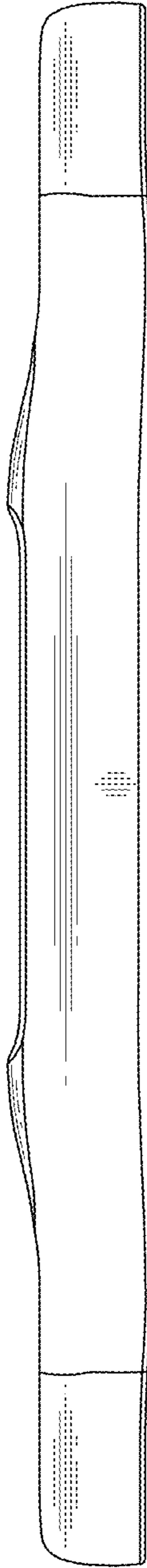


FIG. 7

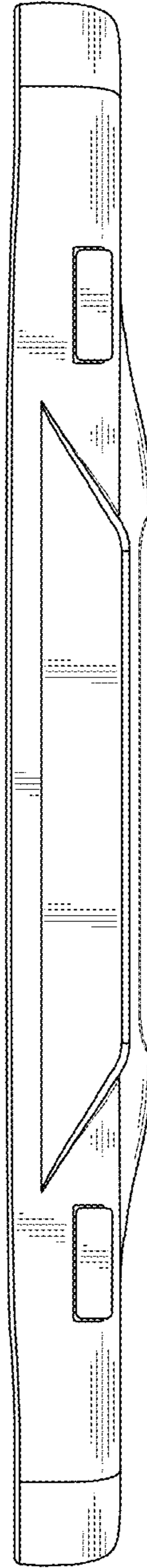


FIG. 8

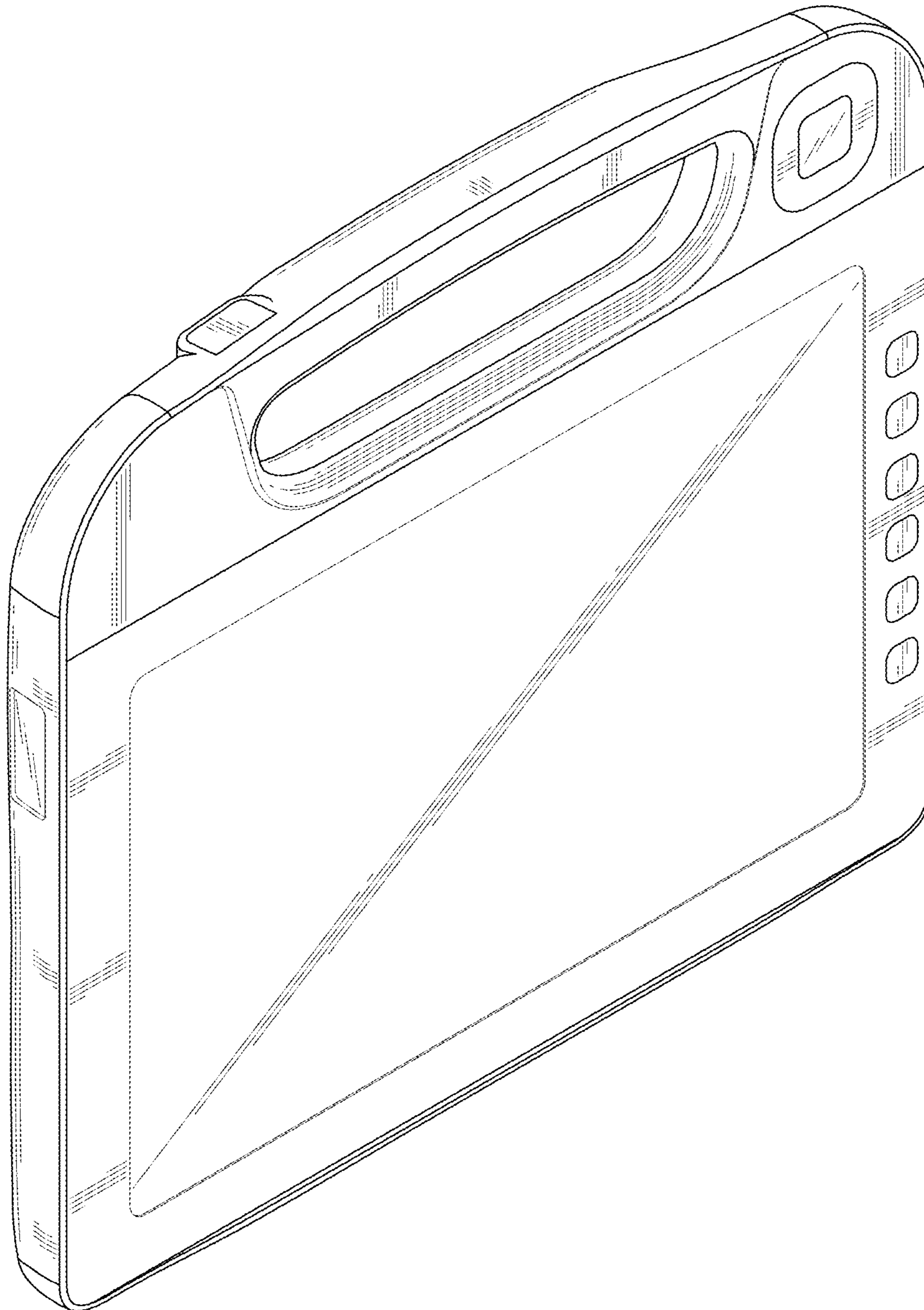


FIG.9

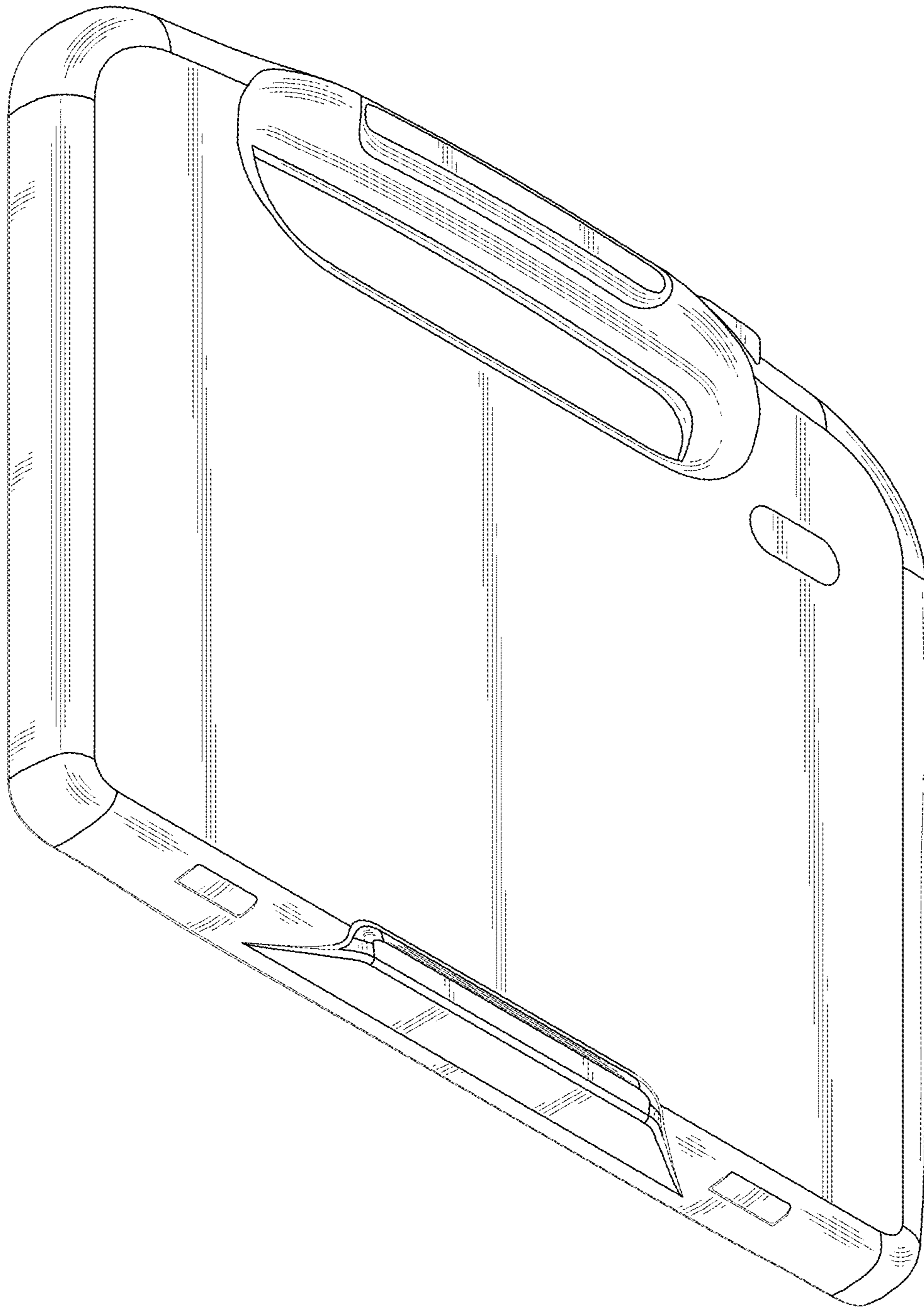


FIG. 10

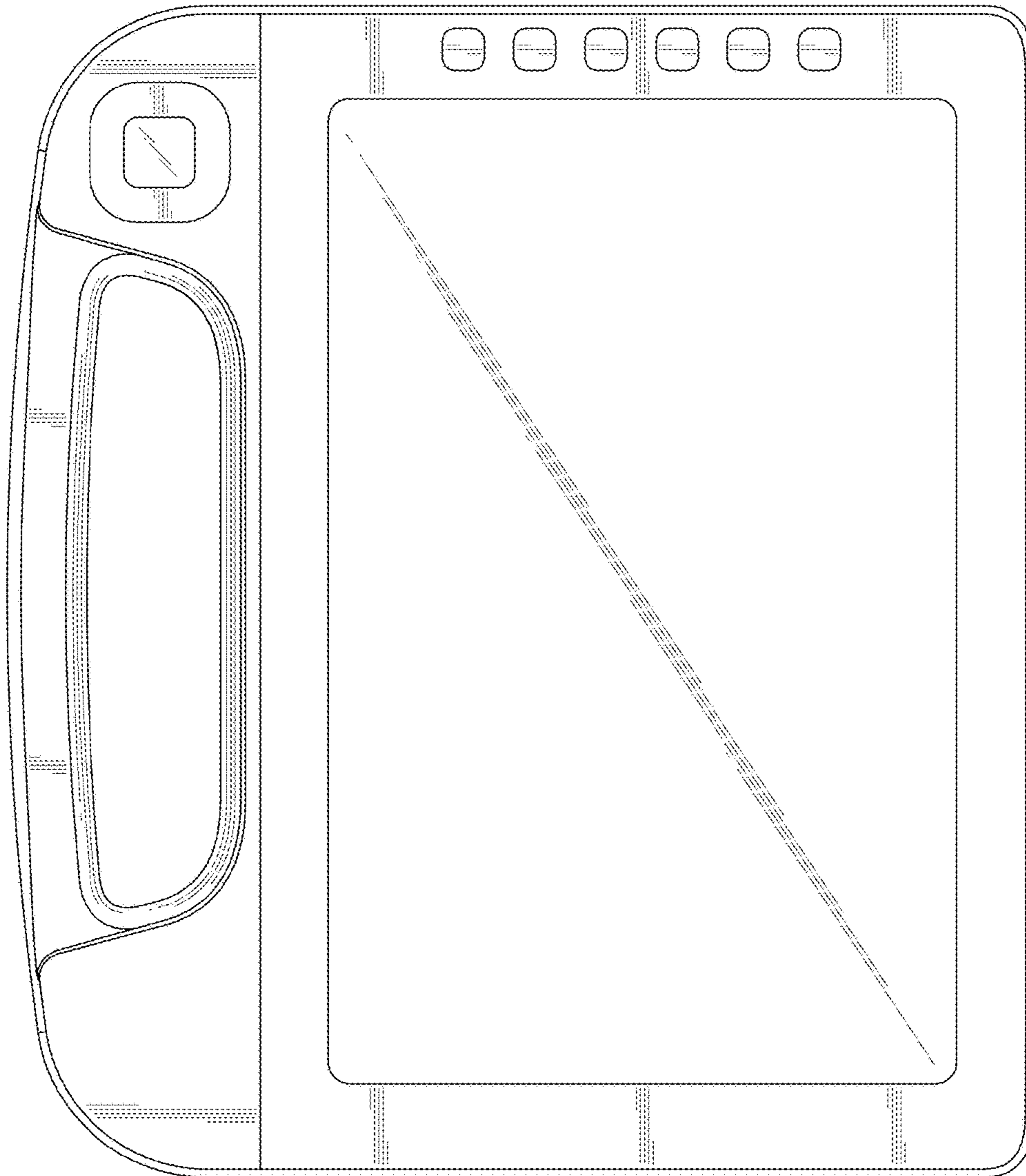


FIG.11

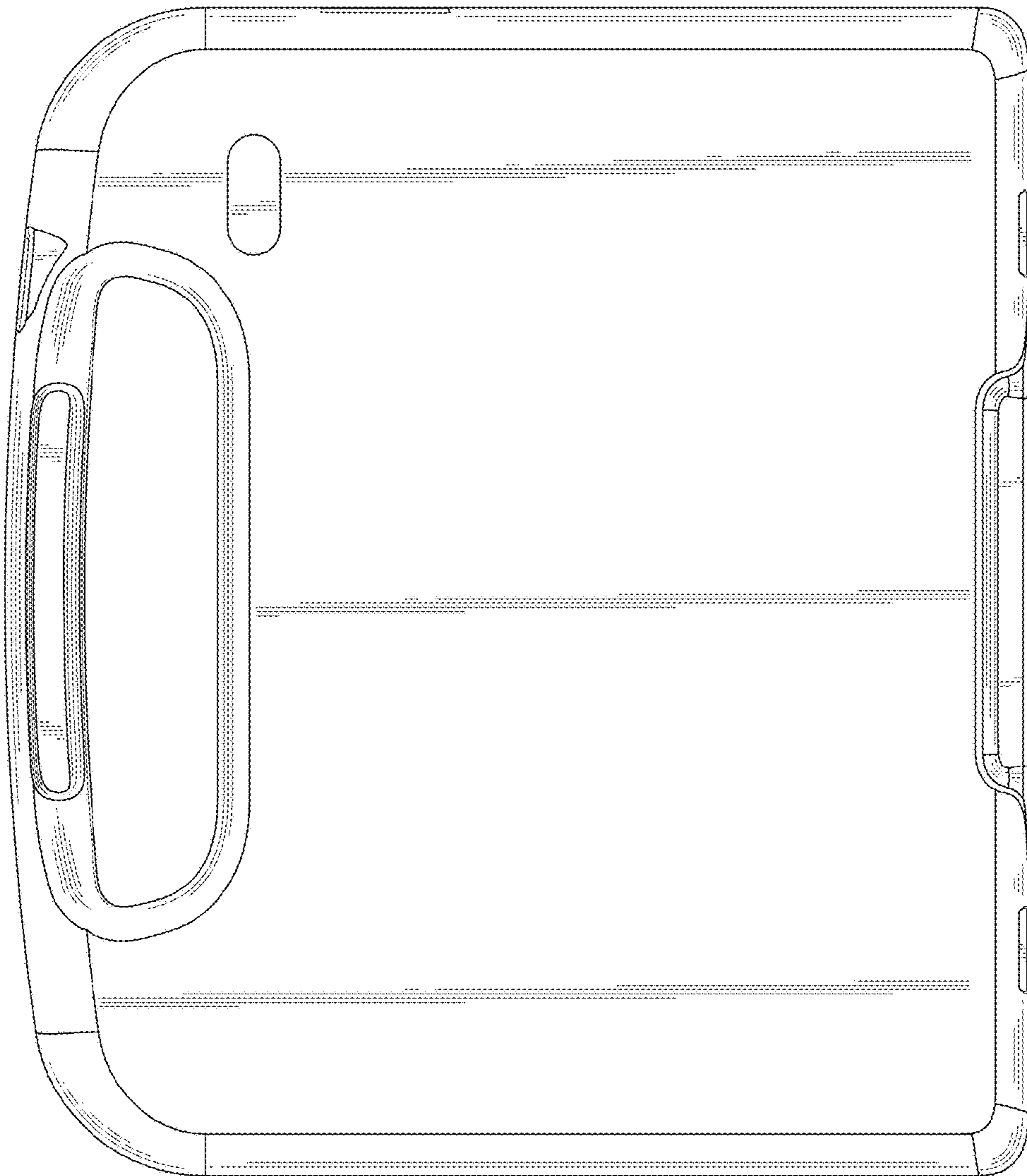


FIG.12

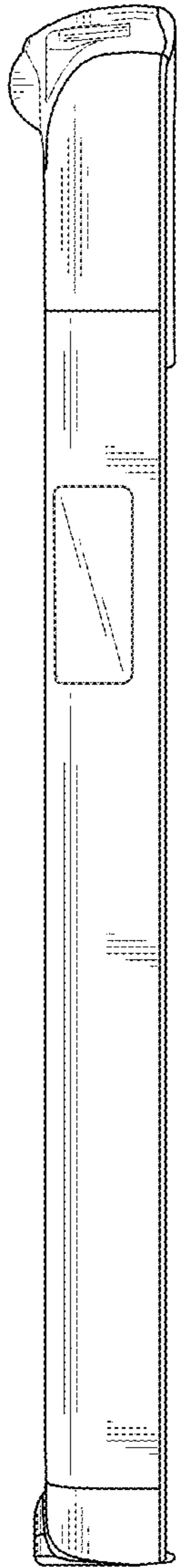


FIG. 13

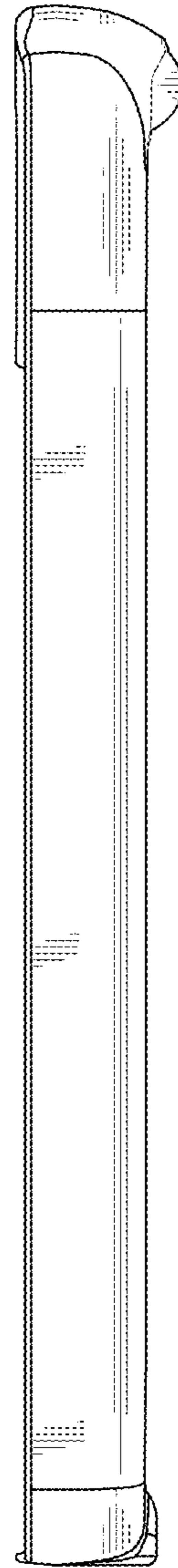


FIG. 14

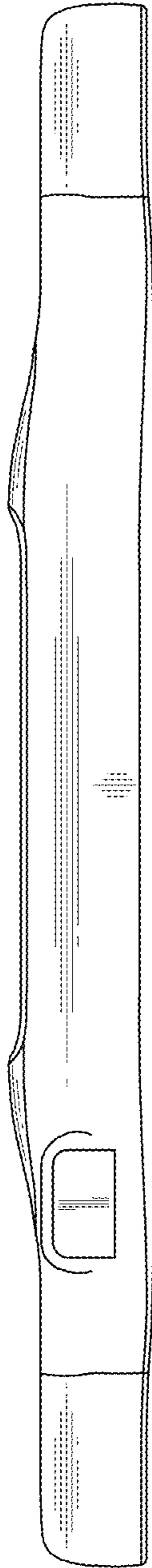


FIG. 15

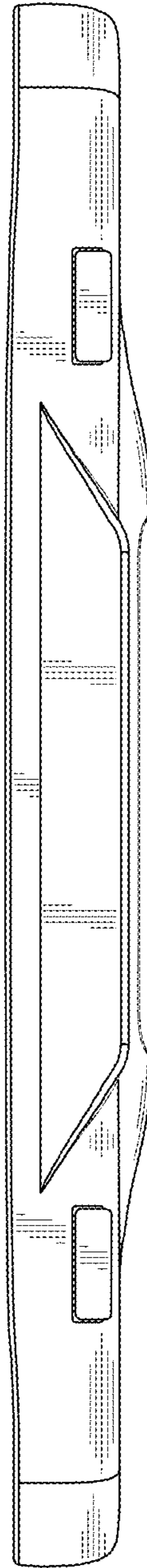


FIG. 16

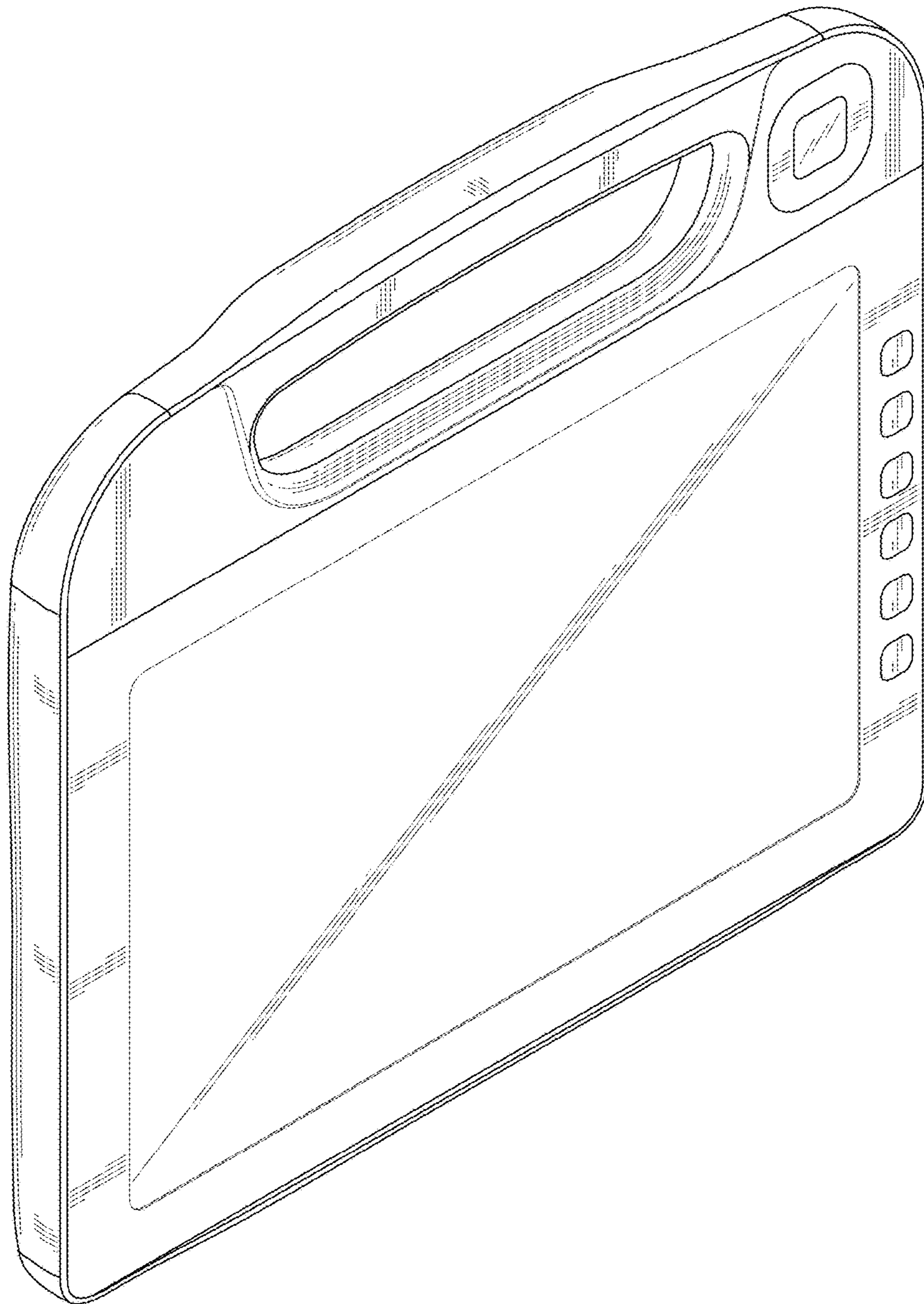


FIG.17

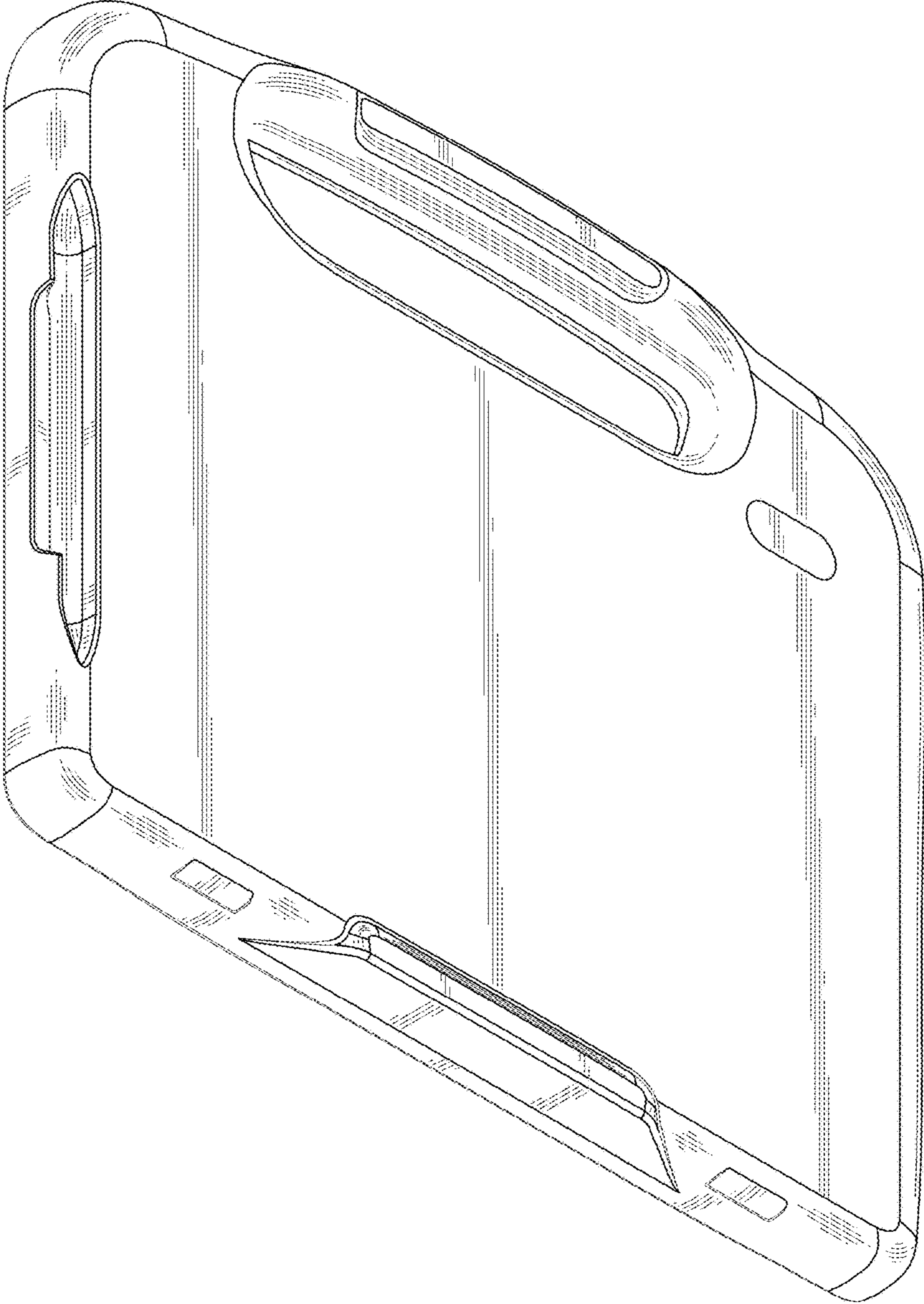


FIG.18

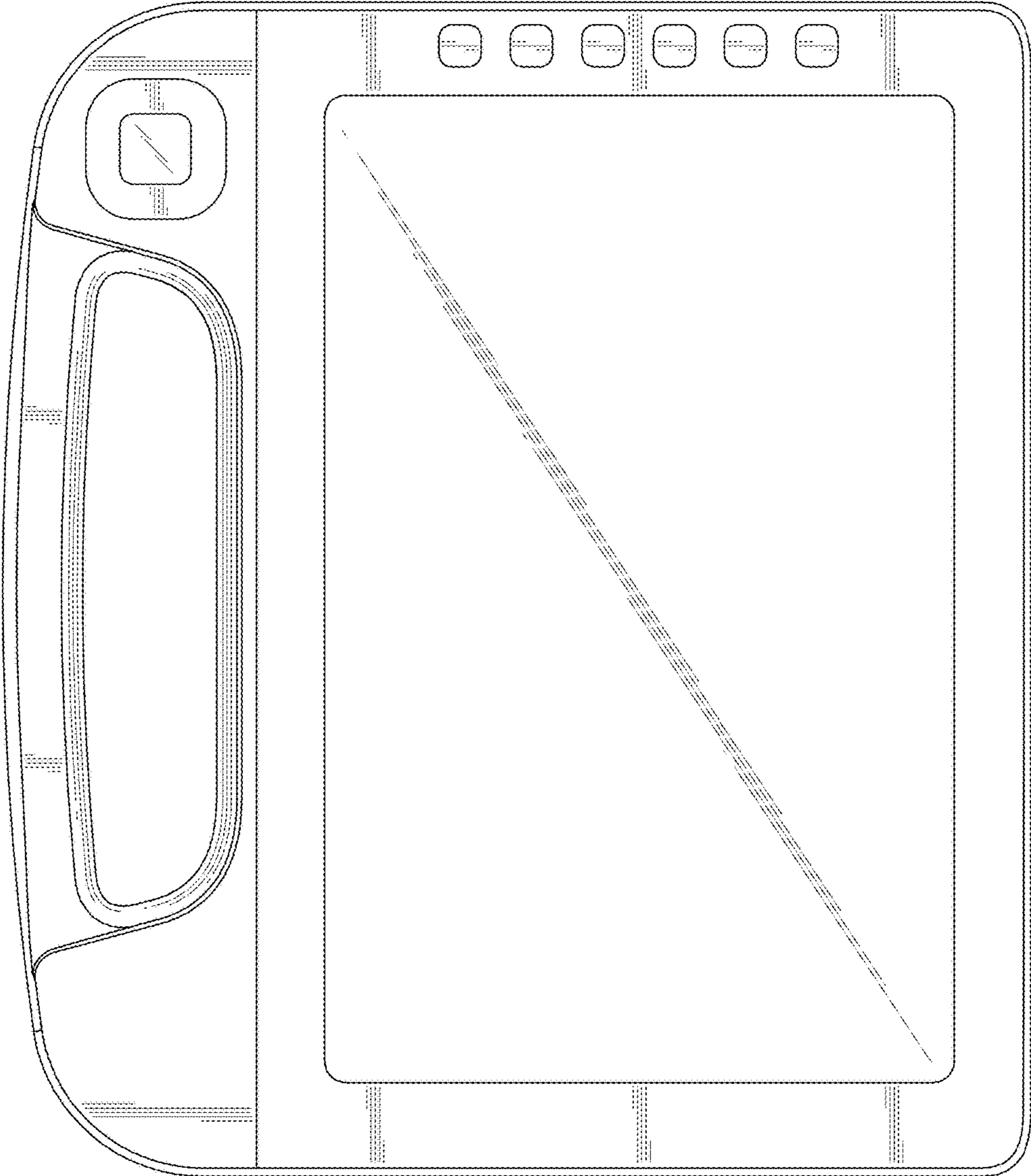


FIG. 19

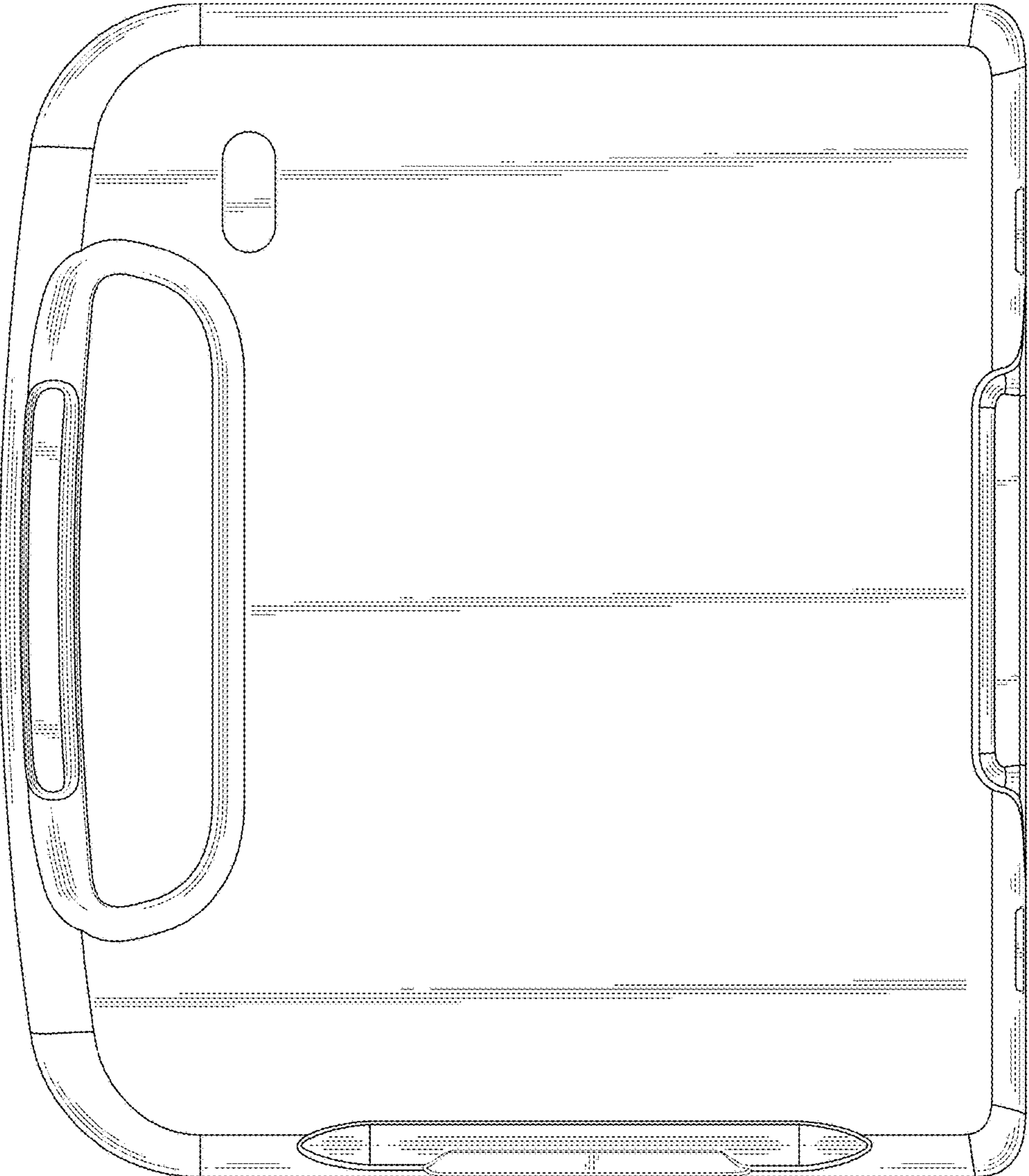


FIG.20

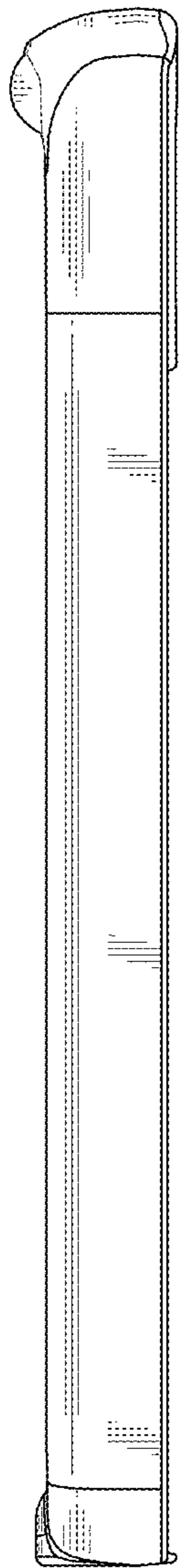


FIG. 21

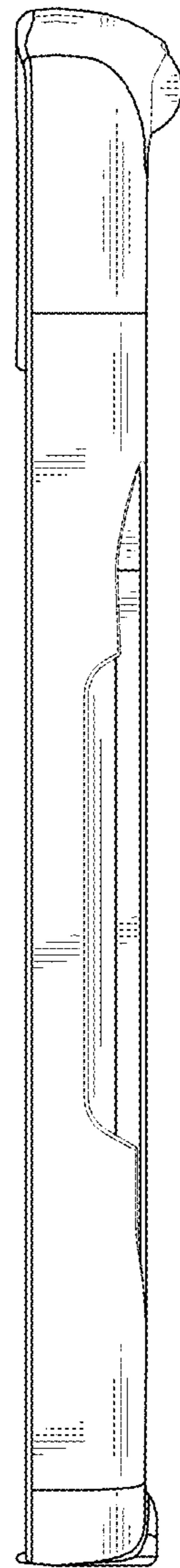


FIG. 22

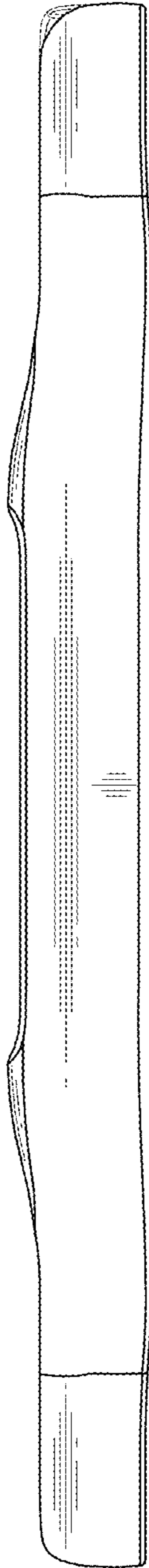


FIG. 23

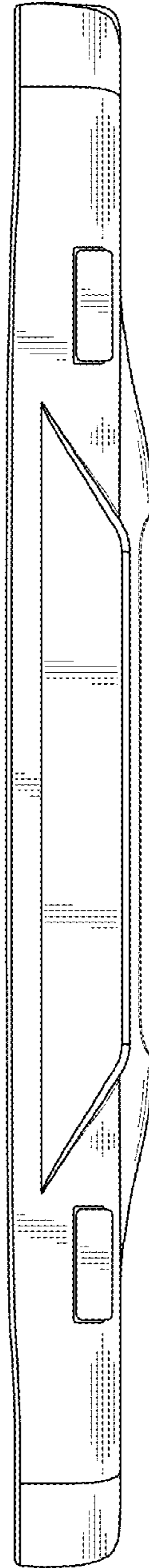


FIG. 24