



US00D778901S

(12) **United States Design Patent**
Liang

(10) **Patent No.:** **US D778,901 S**

(45) **Date of Patent:** **** Feb. 14, 2017**

(54) **LAPTOP**

(71) Applicant: **Lenovo (Beijing) Co., Ltd.**, Beijing (CN)

(72) Inventor: **Runsheng Liang**, Beijing (CN)

(73) Assignee: **Lenovo (Beijing) Co., Ltd.**, Beijing (CN)

(**) Term: **14 Years**

(21) Appl. No.: **29/516,562**

(22) Filed: **Feb. 4, 2015**

(30) **Foreign Application Priority Data**

Aug. 4, 2014 (CN) 2014 3 0271858

(51) **LOC (10) Cl.** **14-02**

(52) **U.S. Cl.**
USPC **D14/315**

(58) **Field of Classification Search**
USPC D14/315-327; D18/1, 2, 7, 11;
235/145 A, 145 R; 341/22, 23; 345/104,
345/156, 168, 169, 173; 361/679.08,
361/679.09, 679.11, 679.26, 679.27
CPC G06F 1/16; G06F 1/1616; G06F 1/1626;
G06F 1/1632; G06F 1/1613; G06F
1/1601; G06F 1/1618; G06F 1/162; G06F
1/166; G06F 1/1654; G06F 1/1681; G06F
1/1637; G06F 1/1688; H01R
35/02; H03M 11/00; G09B 13/04; H03K
17/94; G09G 5/00; F16M 11/10; H05K
5/00; H04M 1/0237; Y10T 16/52; Y10T
16/533; Y10T 16/547; Y10T
16/5385; Y10T 16/5472; Y10T 16/5476;
Y10T 16/54038

See application file for complete search history.

(56) **References Cited**

U.S. PATENT DOCUMENTS

6,775,129 B1 * 8/2004 Ghosh G06F 1/162
361/679.09

D593,091 S * 5/2009 Behar D14/371
7,599,487 B2 * 10/2009 Lim H04M 1/0237
379/433.12
7,690,576 B2 * 4/2010 Ladouceur H04M 1/0237
235/472.01
D690,691 S * 10/2013 Hoshi D14/336
D696,245 S * 12/2013 Lee D14/315

(Continued)

OTHER PUBLICATIONS

Lenovo (Beijing) Co., L TD.. "Multimode laptop". Design U.S.
Appl. No. 29/516,393, filed Feb. 2, 2015, not yet published.

Primary Examiner — Freda S Nunn

(74) *Attorney, Agent, or Firm* — Oppedahl Patent Law
Firm LLC

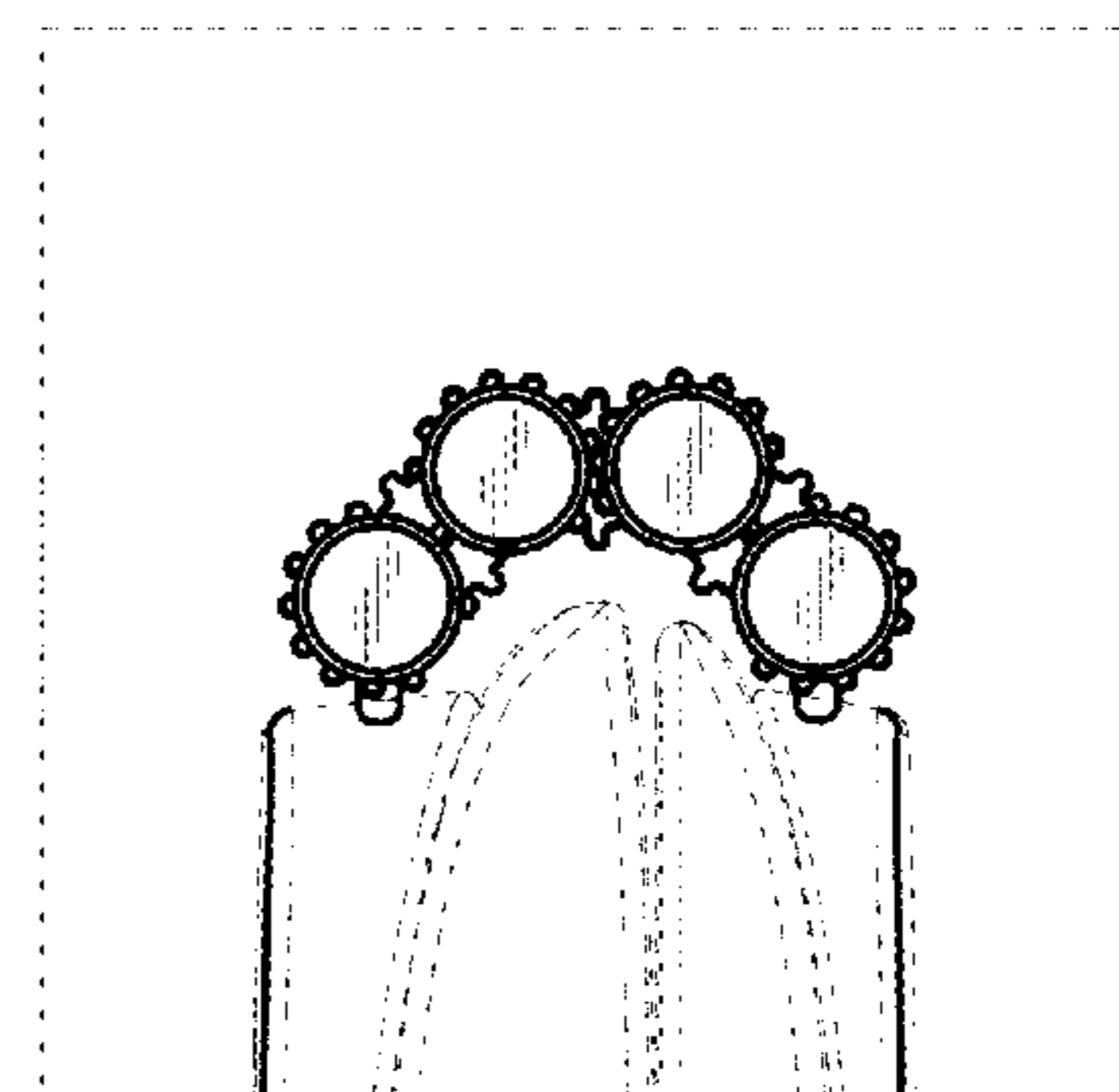
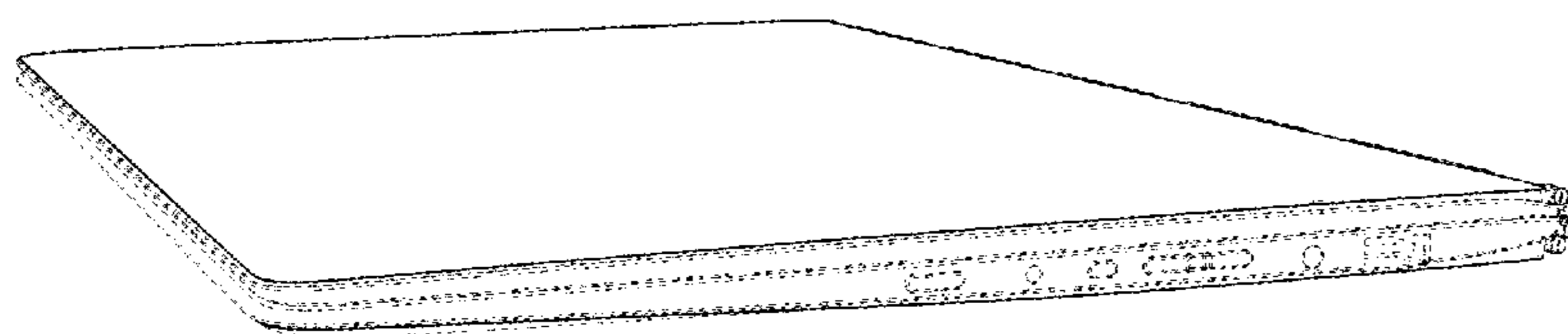
(57) **CLAIM**

The ornamental design for a laptop, as shown and described.

DESCRIPTION

FIG. 1 is a bottom view of a laptop showing the new design;
FIG. 2 is a left side view thereof;
FIG. 3 is a rear view thereof;
FIG. 4 is a right side perspective view thereof;
FIG. 5 is an enlarged section thereof as shown in FIG. 1;
FIG. 6 is an enlarged section thereof as shown in FIG. 2;
FIG. 7 is another enlarged section thereof as shown in FIG.
2; and,
FIG. 8 is an enlarged section thereof as shown in FIG. 3.
Views of the laptop which are not depicted in the figures do
not comprise claimed subject matter, the features shown in

(Continued)



broken lines depict environmental subject matter only and form no part of the claimed design.

1 Claim, 5 Drawing Sheets

(56) **References Cited**

U.S. PATENT DOCUMENTS

| | | | | | | |
|--------------|----|---|---------|--------|-------|---------------------------|
| D697,063 | S | * | 1/2014 | Lee | | D14/315 |
| D708,177 | S | * | 7/2014 | Honda | | D14/316 |
| D708,605 | S | * | 7/2014 | Yang | | D14/315 |
| D716,793 | S | * | 11/2014 | Lee | | D14/315 |
| D717,296 | S | * | 11/2014 | Oh | | D14/316 |
| D720,345 | S | * | 12/2014 | Chu | | D14/341 |
| 2006/0146488 | A1 | * | 7/2006 | Kimmel | | G06F 1/1616 361/679.04 |

* cited by examiner

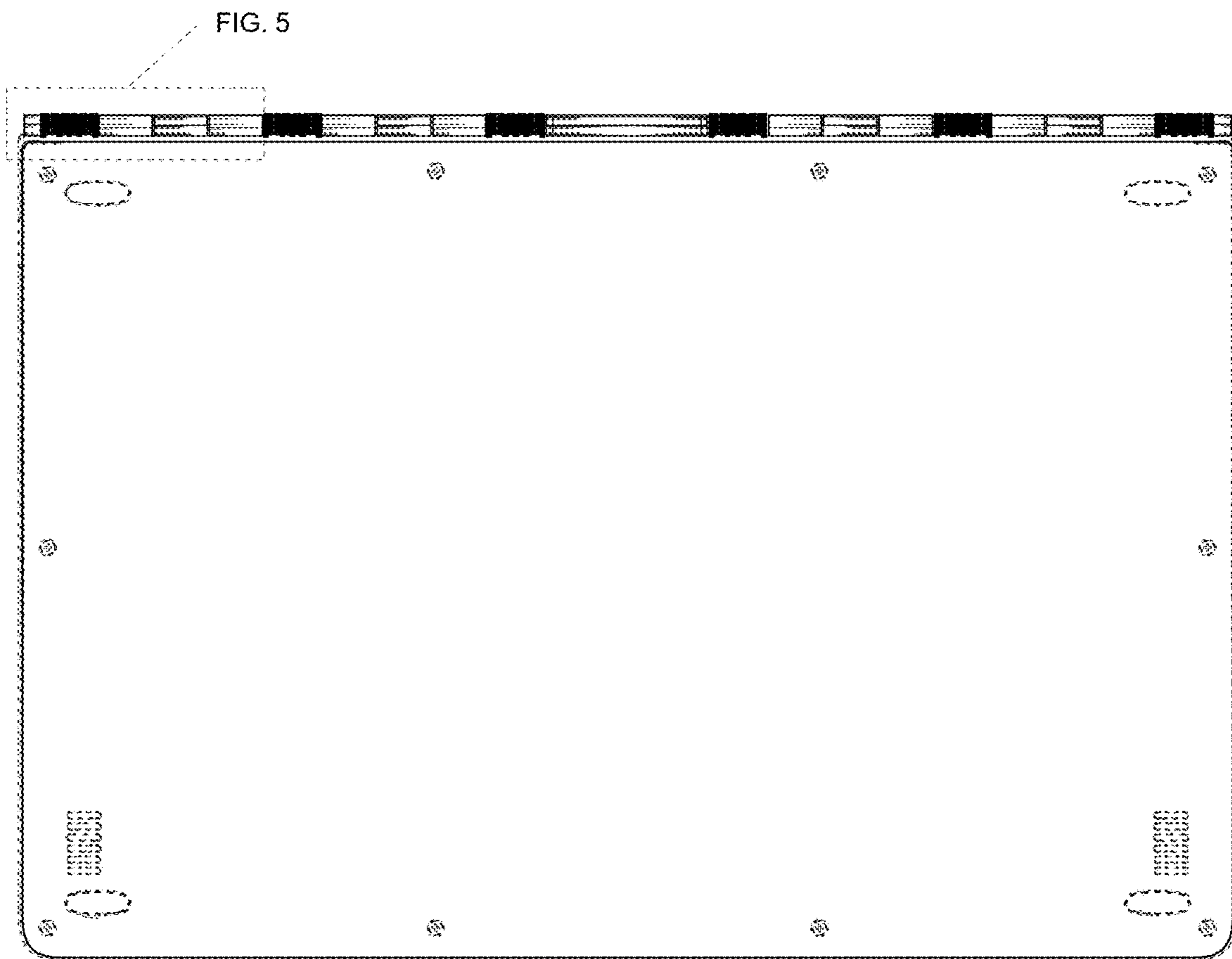


FIG. 1

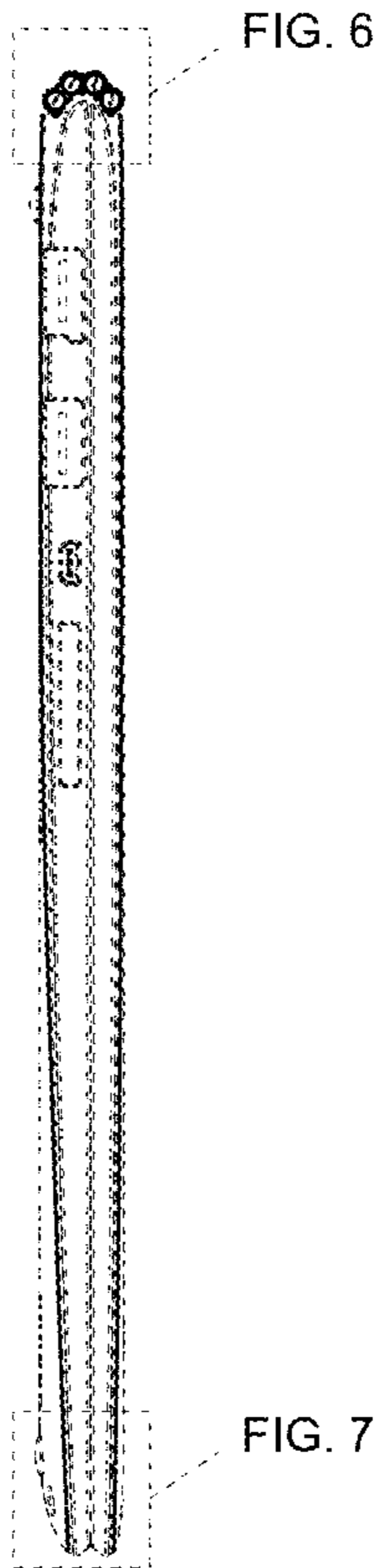


FIG. 2

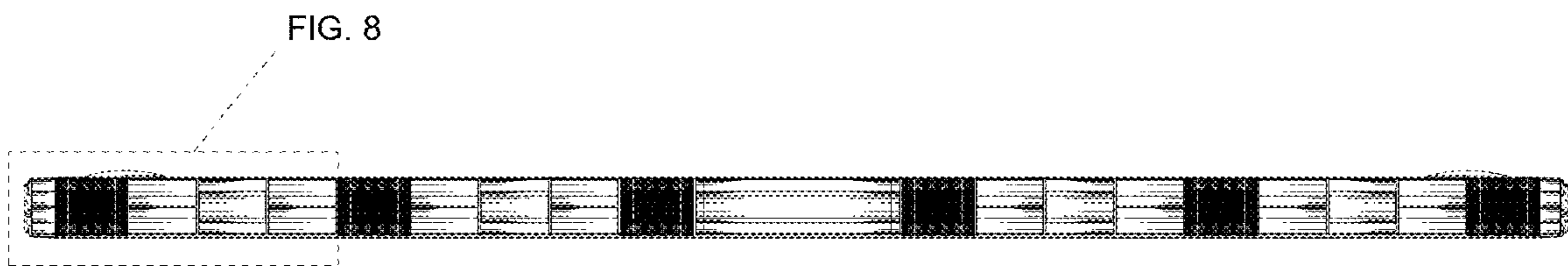


FIG. 3

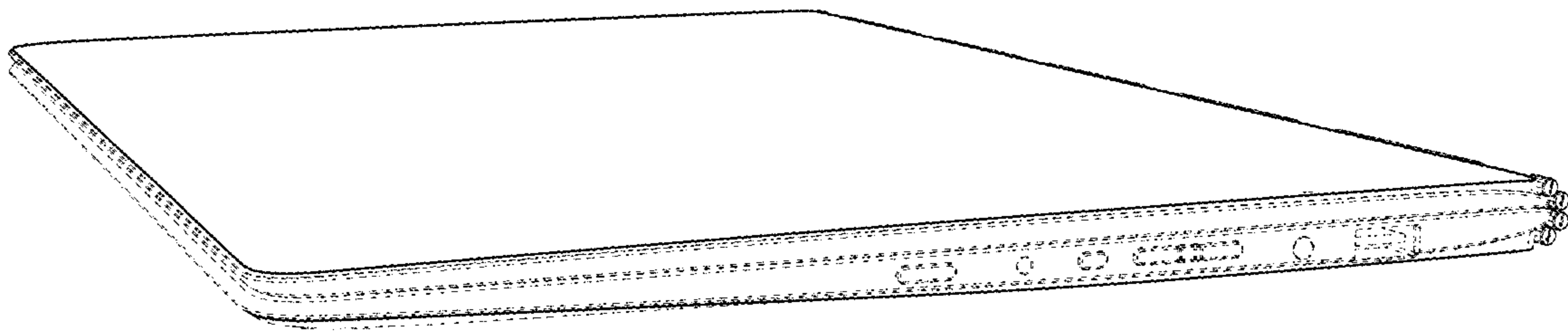


FIG. 4

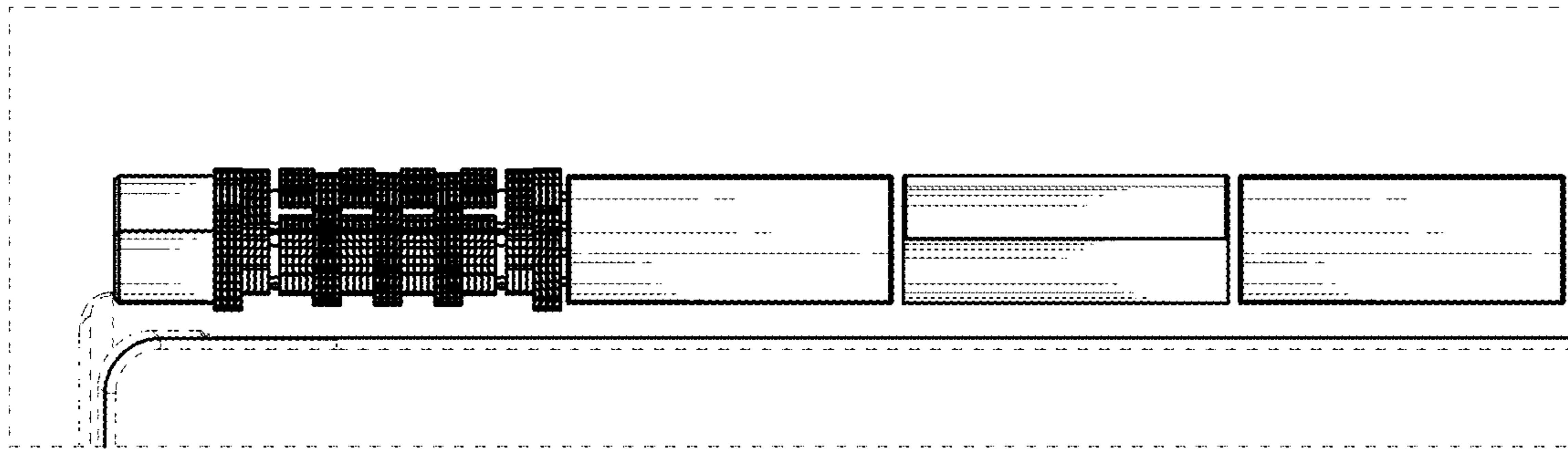


FIG. 5

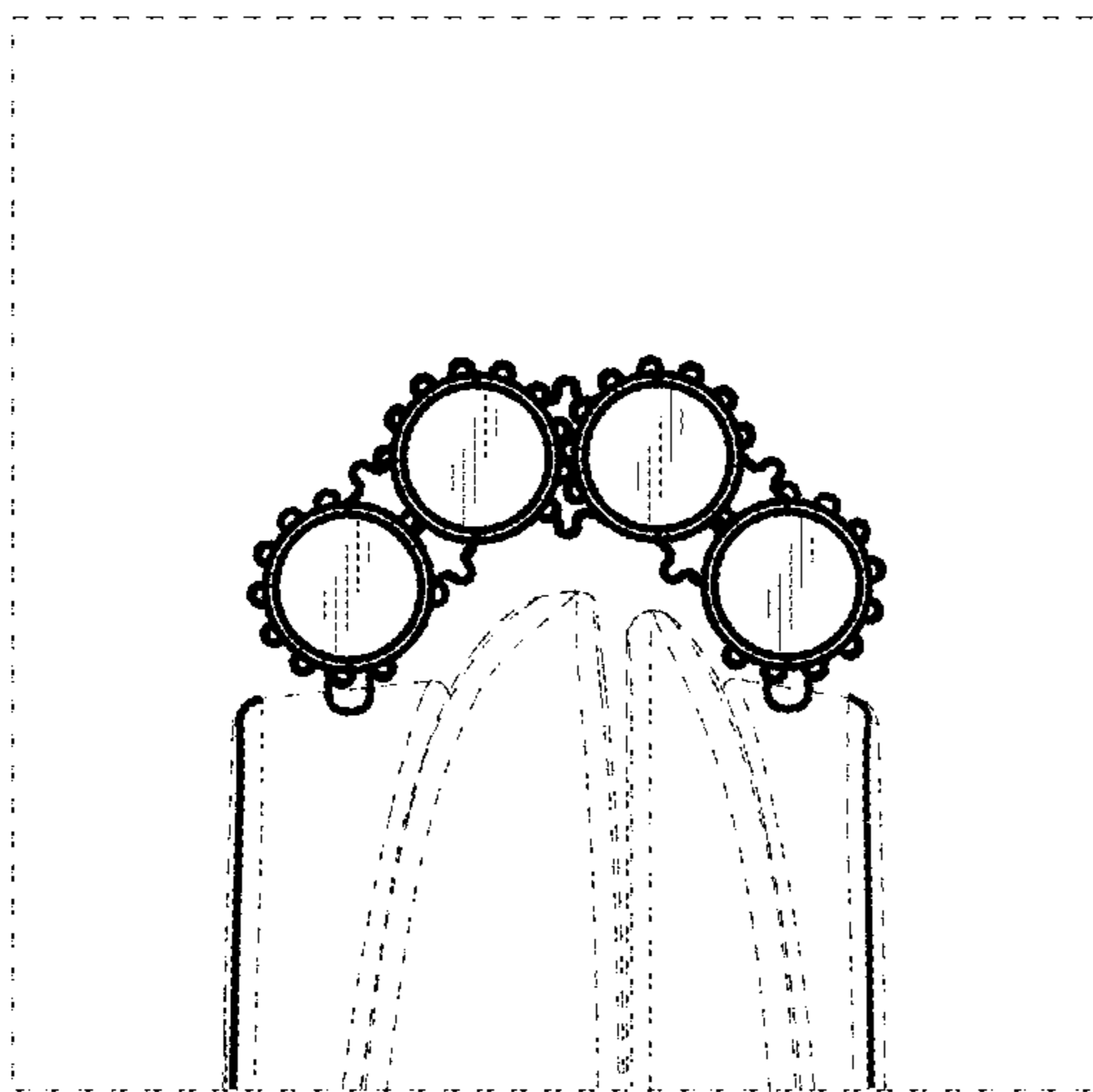


FIG. 6

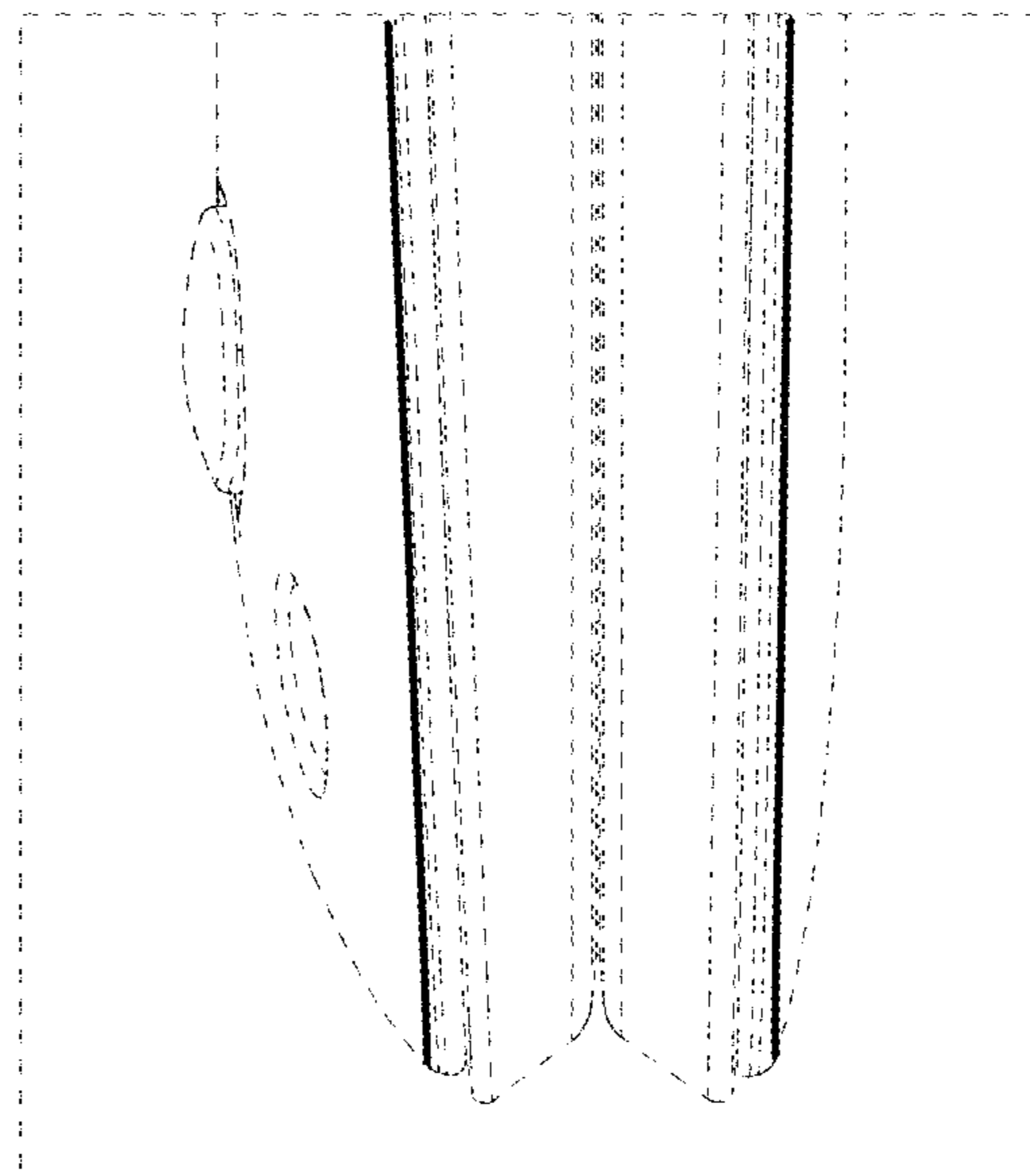


FIG. 7

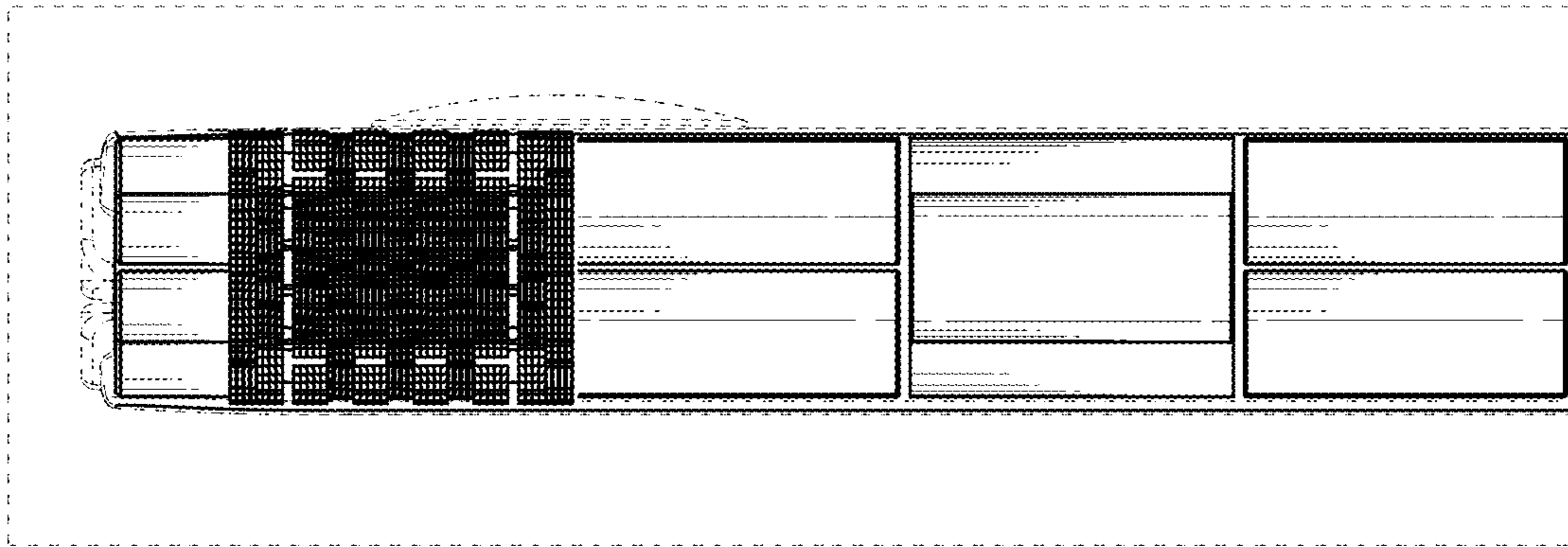


FIG. 8