



US00D778900S

(12) **United States Design Patent**
Stanavich

(10) **Patent No.:** **US D778,900 S**

(45) **Date of Patent:** **** Feb. 14, 2017**

(54) **RECORD ADAPTER**

(71) Applicant: **David Stanavich**, Brooklyn, NY (US)

(72) Inventor: **David Stanavich**, Brooklyn, NY (US)

(73) Assignee: **Wax Rax, Inc.**, Brooklyn, NY (US)

(**) Term: **14 Years**

(21) Appl. No.: **29/524,453**

(22) Filed: **Apr. 21, 2015**

(51) **LOC (10) Cl.** **14-01**

(52) **U.S. Cl.**

USPC **D14/261**

(58) **Field of Classification Search**

USPC D14/199-203, 261; 369/264-265, 290.1;
312/8.1, 8.9

CPC B60R 11/02; B60K 37/04; B60K 37/06;
H04B 1/08; H04B 1/082; G11B 17/0281;
G11B 17/0282

See application file for complete search history.

(56) **References Cited**

U.S. PATENT DOCUMENTS

D175,803 S * 10/1955 Smith D14/261
D205,724 S * 9/1966 Kelly D14/261
D218,483 S * 8/1970 Kahler et al. D14/261
4,125,264 A * 11/1978 Reiss G11B 17/0281
369/290.1
D263,826 S * 4/1982 Thurston D14/261

D266,842 S * 11/1982 Villers D14/261
D319,831 S * 9/1991 Dessi D14/261
6,778,487 B2 * 8/2004 Morishita G11B 17/054
369/264
6,826,771 B1 * 11/2004 Wada G11B 17/0282
369/264
8,566,853 B2 * 10/2013 Han G11B 17/0282
720/710

* cited by examiner

Primary Examiner — Sandra Morris

(74) *Attorney, Agent, or Firm* — Karan Singh

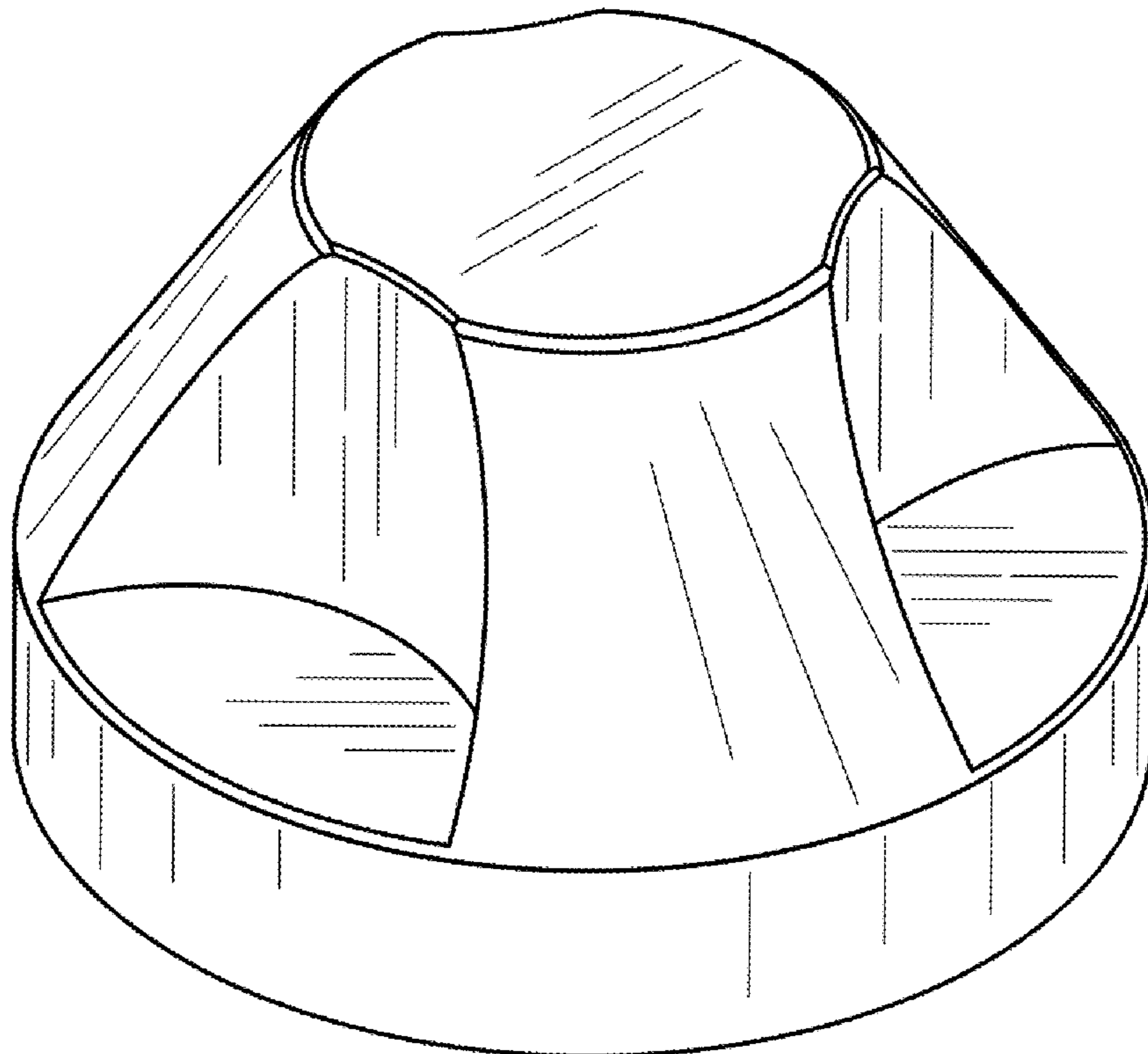
(57) **CLAIM**

The ornamental design for a record adapter, as shown and described.

DESCRIPTION

FIG. 1 is a front, top, side perspective view of an adapter for a record showing my new design;
FIG. 2 is a front view thereof;
FIG. 3 is a rear view thereof;
FIG. 4 is a side view thereof;
FIG. 5 is a top view thereof;
FIG. 6 is a bottom view thereof; and,
FIG. 7 is another front, top, side perspective view thereof.
The broken lines in the drawings illustrate environmental material that form no part of the claimed design.

1 Claim, 3 Drawing Sheets



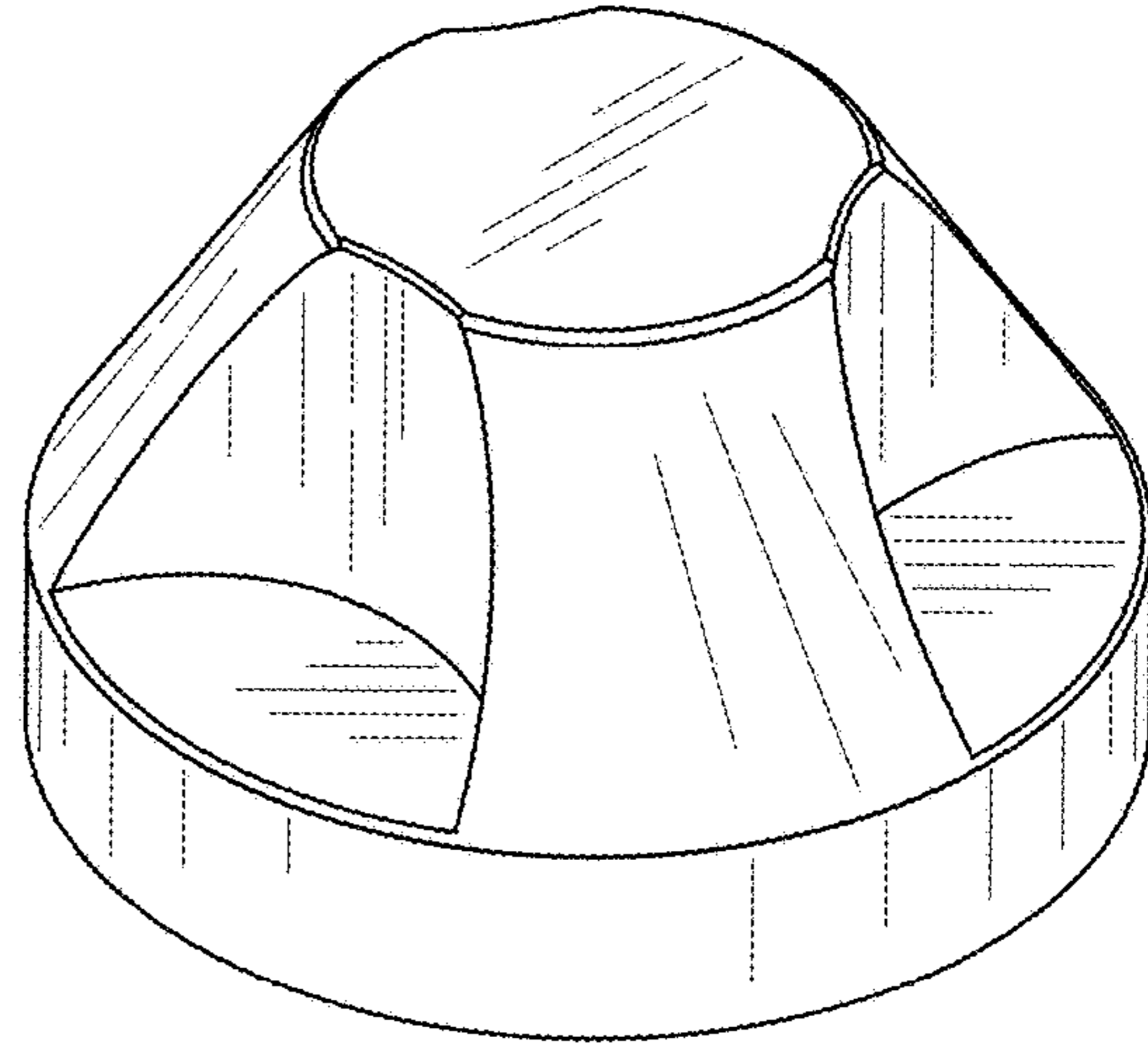


FIG. 1

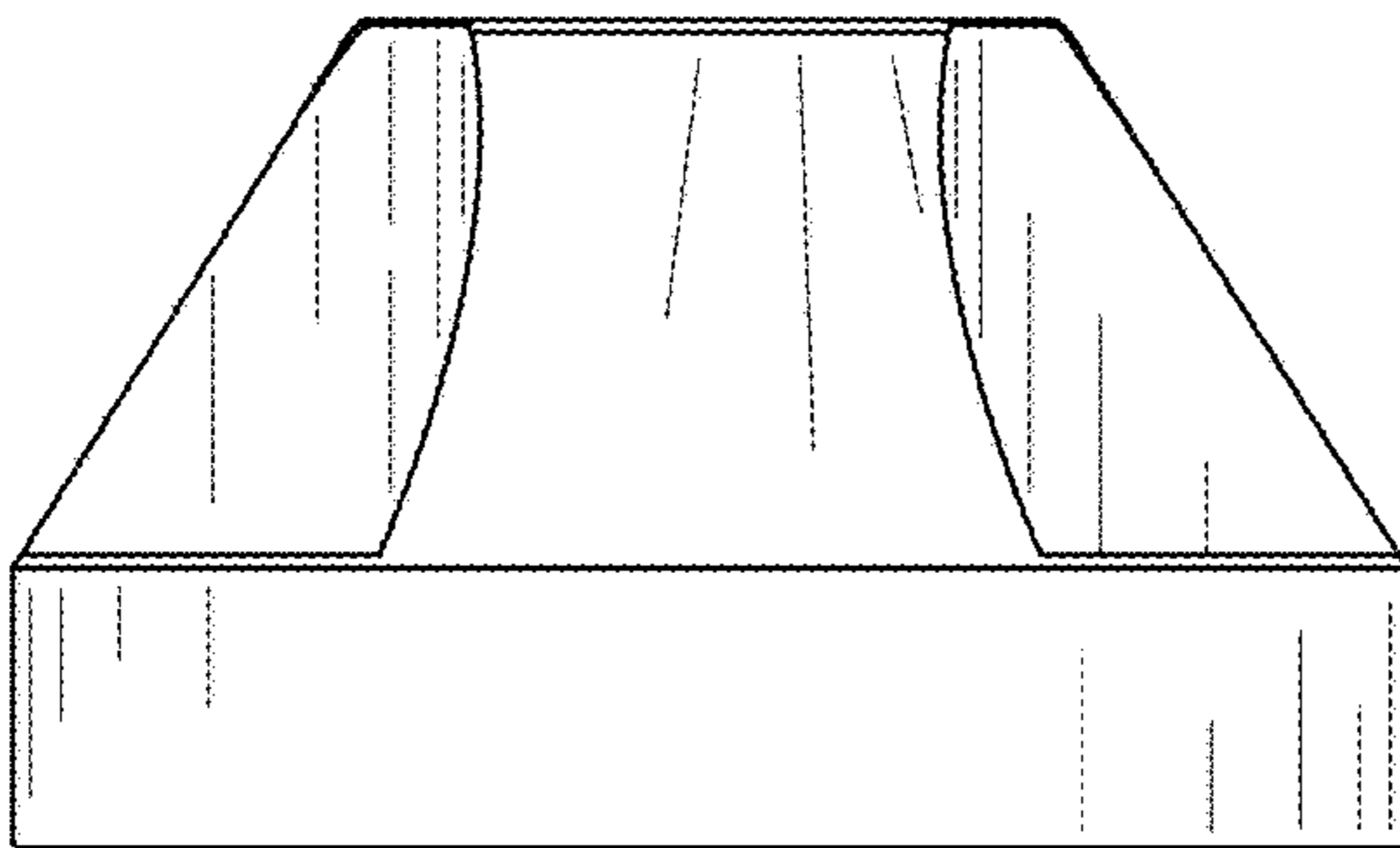


FIG. 2

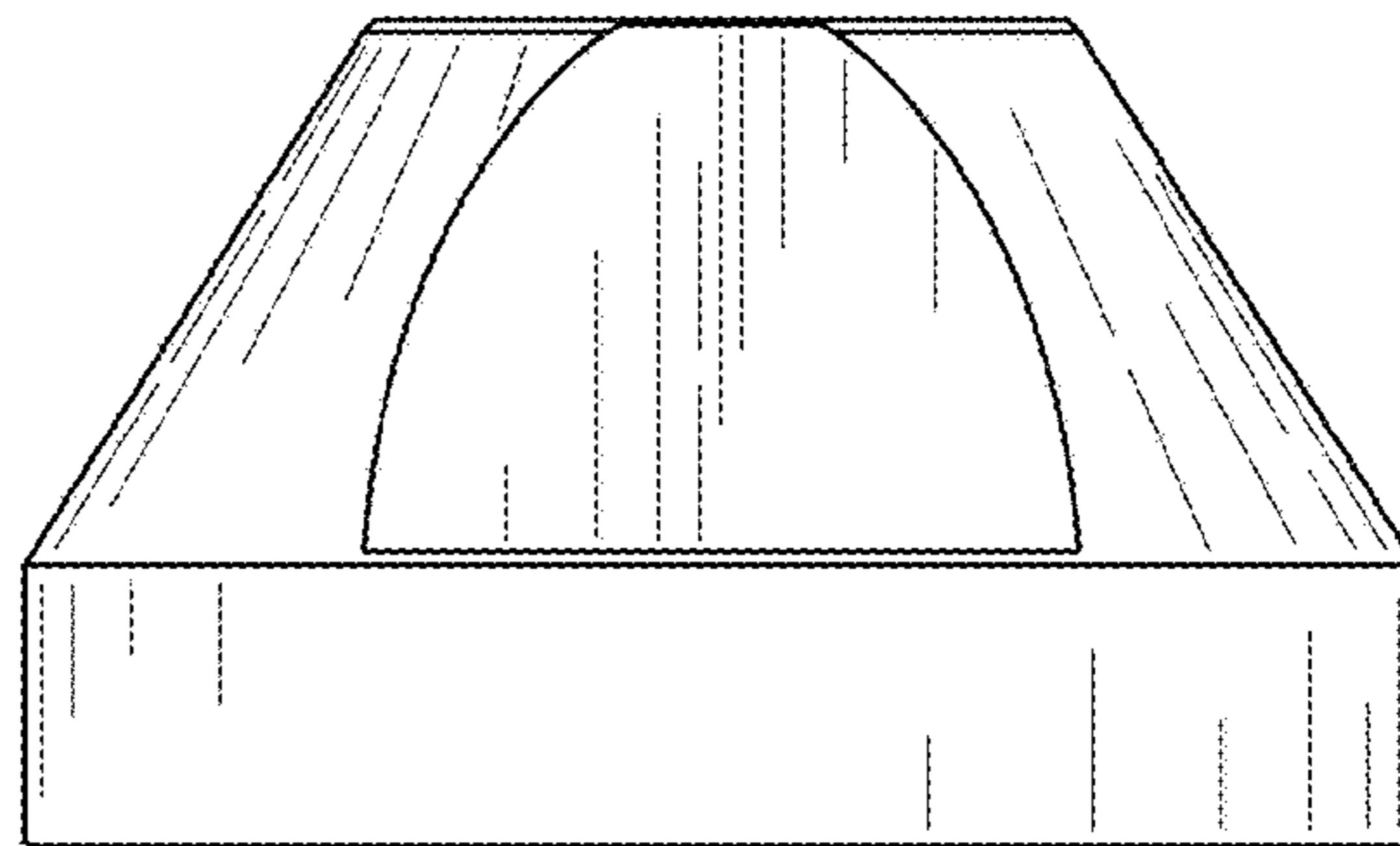


FIG. 3

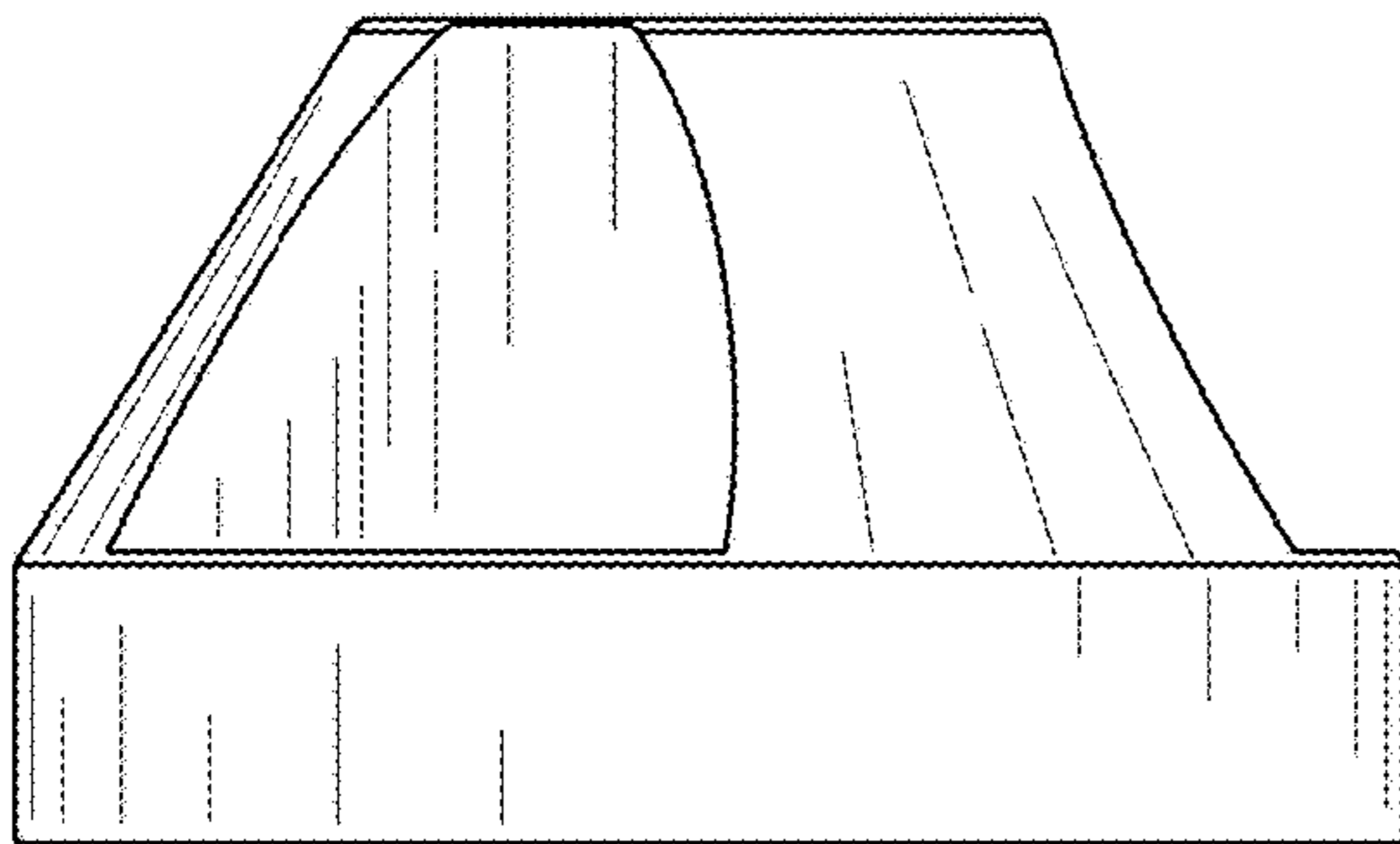


FIG. 4

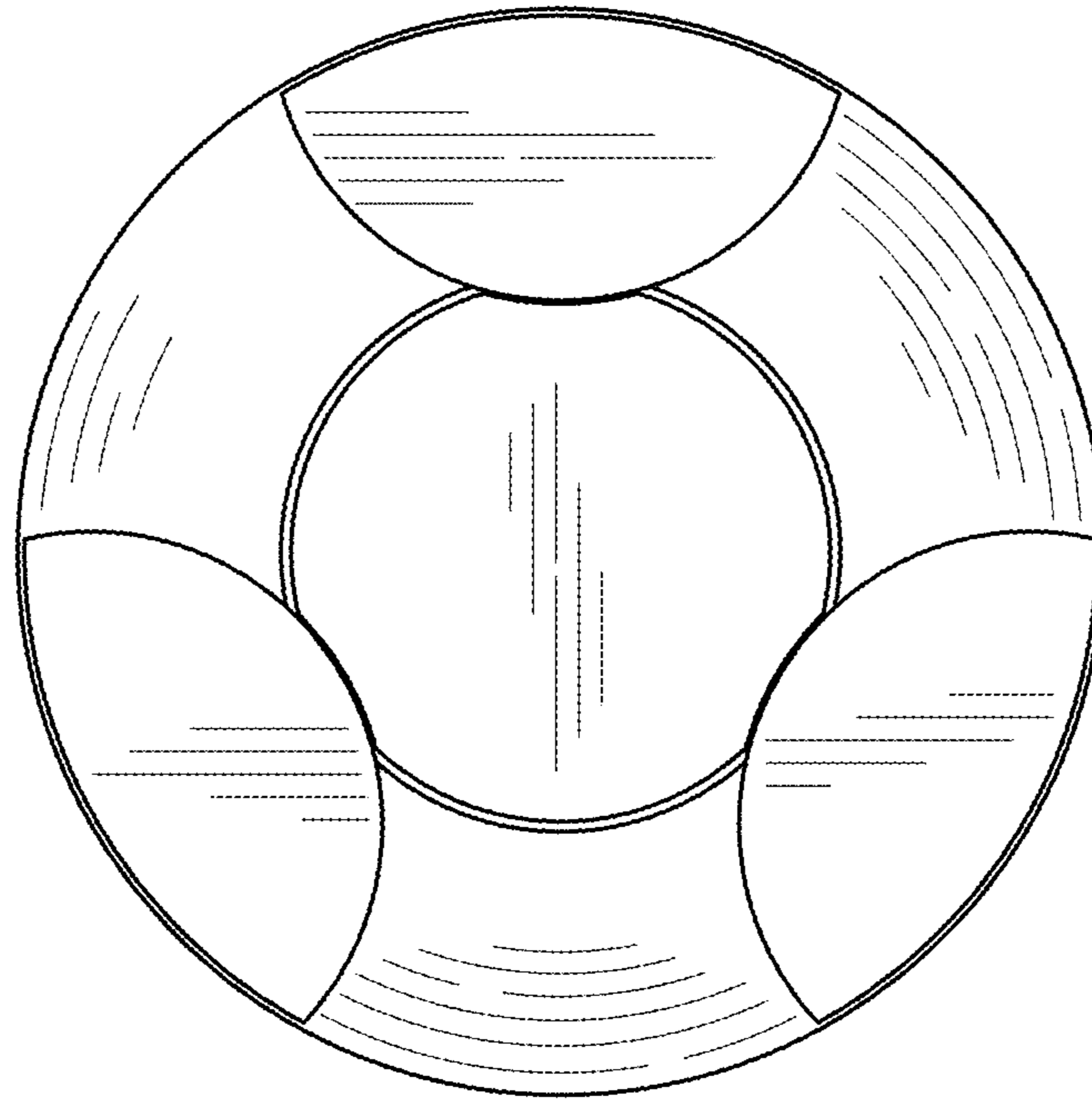


FIG. 5

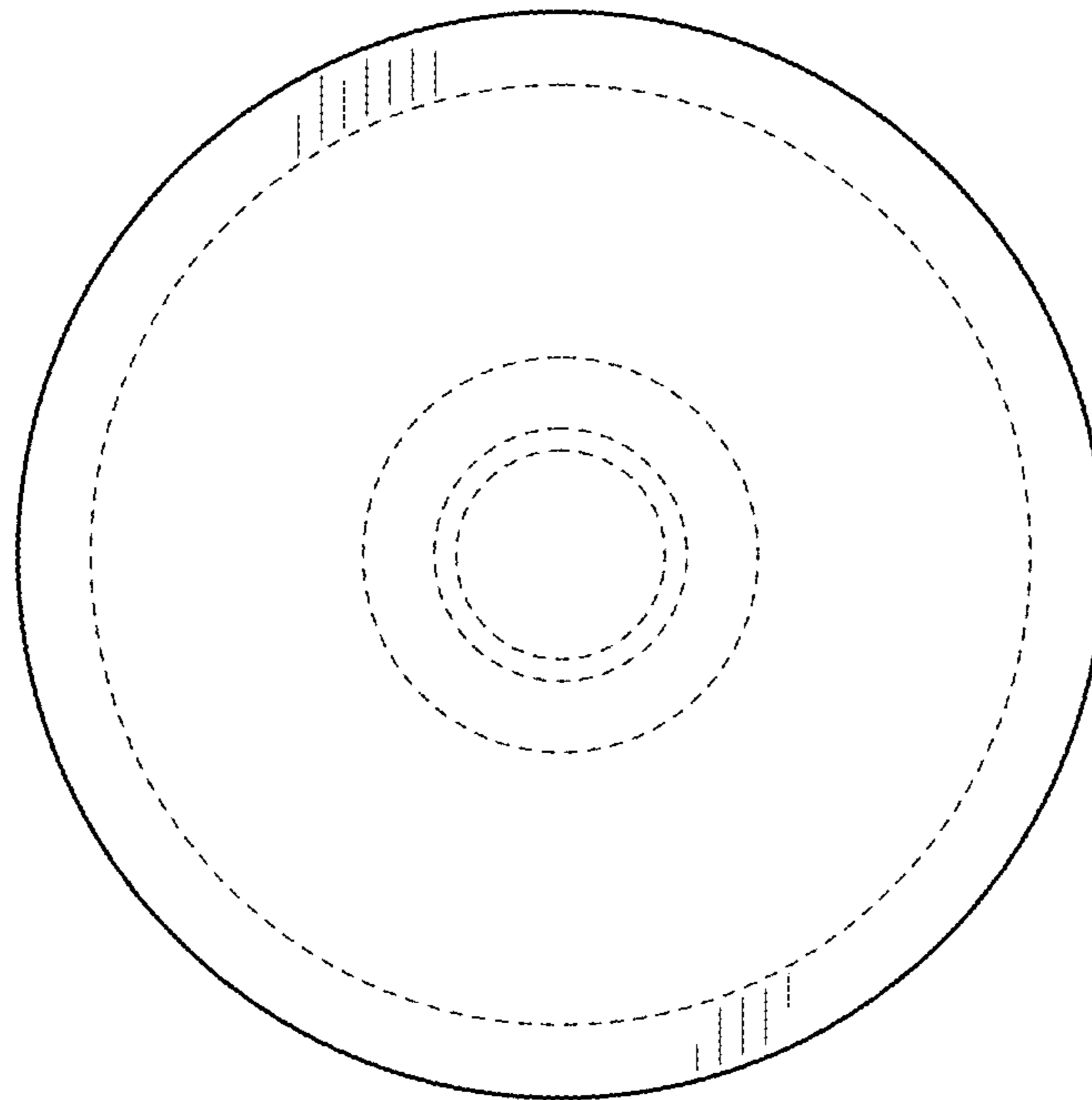


FIG. 6

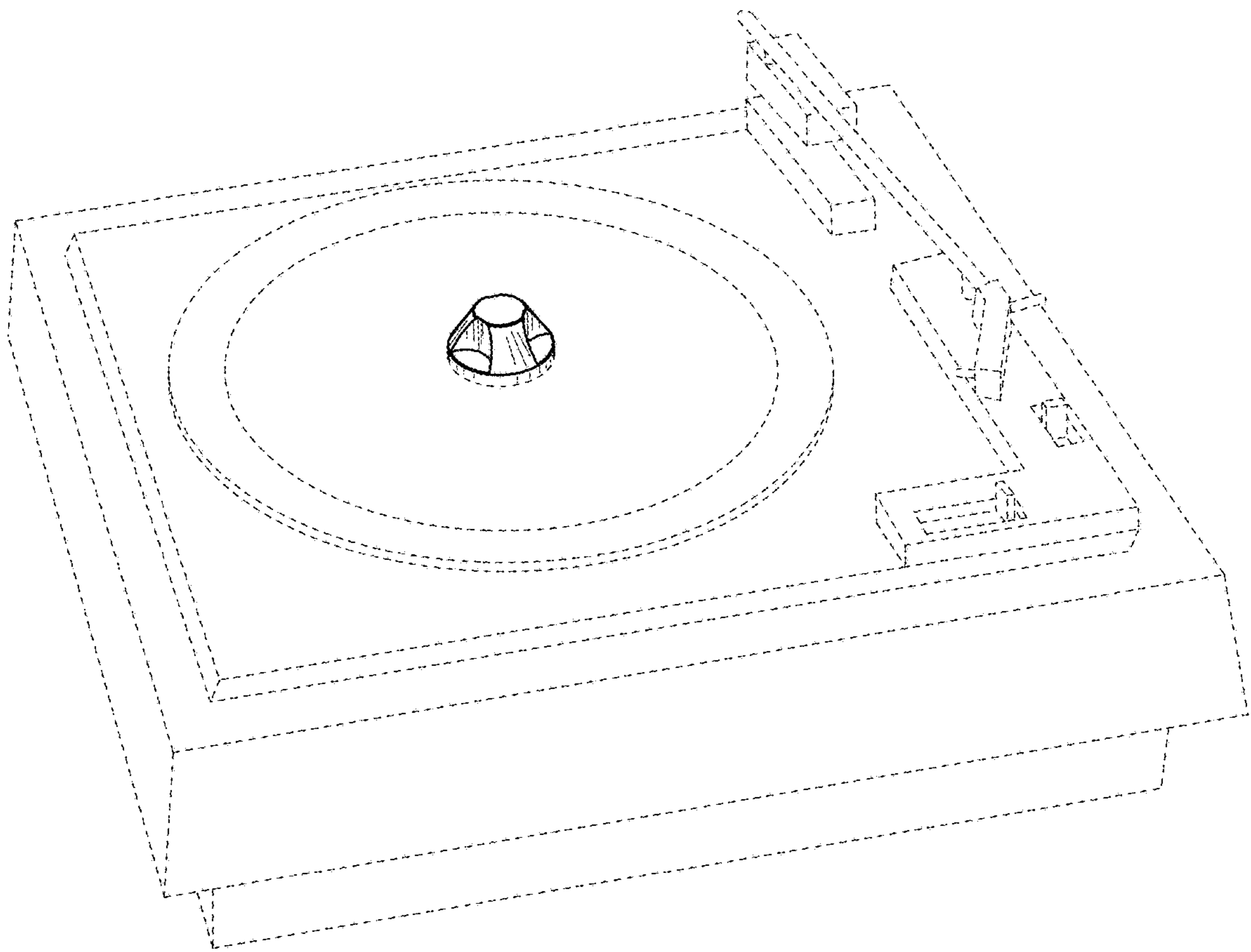


FIG. 7