



US00D778899S

(12) **United States Design Patent**  
**Khalili**

(10) **Patent No.:** **US D778,899 S**

(45) **Date of Patent:** **\*\* Feb. 14, 2017**

- (54) **MOBILE PHONE CASE HANDLE ACCESSORY**
- (71) Applicant: **Ali Khalili**, Abu Dhabi (AE)
- (72) Inventor: **Ali Khalili**, Abu Dhabi (AE)
- (\*\*) Term: **15 Years**
- (21) Appl. No.: **29/543,474**
- (22) Filed: **Oct. 24, 2015**
- (51) **LOC (10) Cl.** ..... **14-03**
- (52) **U.S. Cl.**  
USPC ..... **D14/253**; D14/250
- (58) **Field of Classification Search**  
USPC ..... D14/253, 251, 252, 447, 451, 452, 440, D14/434, 458, 432, 439, 457, 460, 238.1, D14/140, 142, 149, 217, 148, 140.8, D14/140.11, 209.1, 151, 140.9, 250, 238; D13/107, 108; D12/415, 223, 114, 420, D12/417, 407, 177; D3/218; D16/242-245, 250, 237, 203, 214, D16/219; D8/349; D6/675, 672, 673, D6/675.4, 553, 676, 310, 406.3, 406.4, D6/406.5, 406.6, 407, 567, 300, 682.3, D6/396; 248/459, 460; 224/483; D24/223; D9/457; 348/375, 376; D21/466  
CPC ..... B60R 2011/0008; B60R 11/02; B60R 11/0241; B60R 11/0258; B60R 11/0252; B60R 2011/0294; F16M 11/00; F16M 11/04; F16M 11/041; F16M 11/02; F16M 11/06; F16M 13/00; H04M 1/02; H04M 1/04; H04M 1/11; H04M 1/12; A47F 7/022; B62J 11/00; H05K 7/00; G03B 17/56  
See application file for complete search history.

- D661,647 S \* 6/2012 Chen ..... D13/108
- D679,271 S \* 4/2013 Liu ..... D13/103
- D706,254 S \* 6/2014 Chang ..... D14/217
- D720,344 S \* 12/2014 Yu ..... D14/253
- D723,536 S \* 3/2015 Werth ..... D14/253
- D730,887 S \* 6/2015 Lindemann ..... D14/253
- D748,935 S \* 2/2016 Jiang ..... D14/235

(Continued)

*Primary Examiner* — Susan Bennett Hattan  
*Assistant Examiner* — Janice Hallmark  
 (74) *Attorney, Agent, or Firm* — QuickPatents, LLC;  
 Kevin Prince

(57) **CLAIM**

I claim the ornamental design for a mobile phone case handle accessory, as shown and described.

**DESCRIPTION**

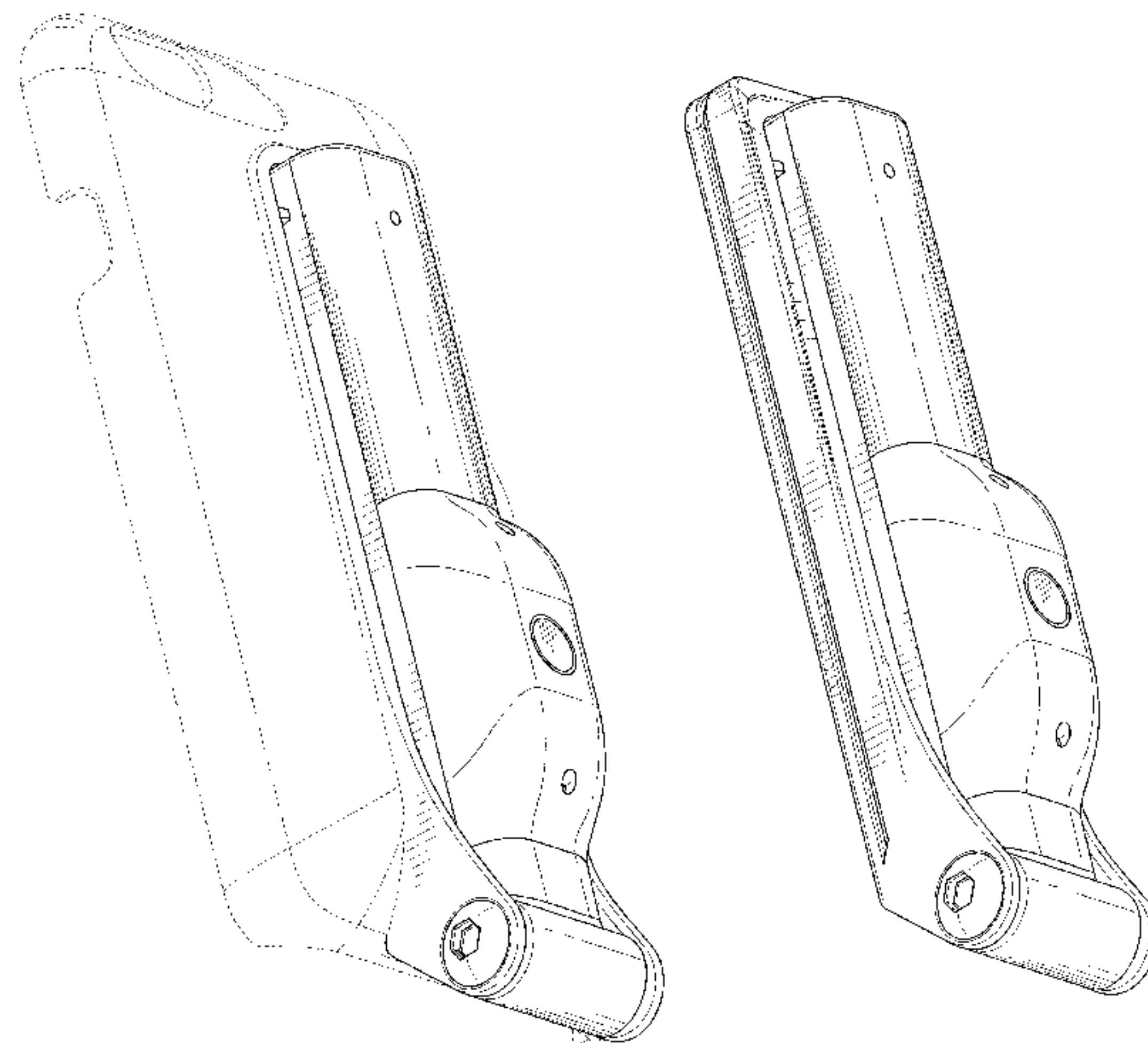
FIG. 1 is a rear perspective view of a mobile phone case handle accessory, showing my new design in a retracted configuration and shown in-use with a case for an electronic device;  
 FIG. 2 is a front perspective view of FIG. 1 with the case omitted;  
 FIG. 3 is a front elevational view of FIG. 2;  
 FIG. 4 is a rear elevational view of FIG. 2;  
 FIG. 5 is a left-side elevational view of FIG. 2, the right-side elevational view being a mirror image thereof;  
 FIG. 6 is a top plan view of FIG. 2;  
 FIG. 7 is a bottom plan view of FIG. 2;  
 FIG. 8 is a front perspective view of FIG. 2;  
 FIG. 9 is a rear perspective view thereof, illustrated in an extended configuration and shown in-use with a case for an electronic device;  
 FIG. 10 is a rear perspective view of FIG. 9 with the case omitted;  
 FIG. 11 is a front elevational view of FIG. 10;  
 FIG. 12 is a rear elevational view of FIG. 10;  
 FIG. 13 is a left-side elevational view of FIG. 10, the right-side elevational view being a mirror image thereof; and  
 FIG. 14 is a top plan view of FIG. 10; and  
 FIG. 15 is a bottom plan view of FIG. 10; and  
 FIG. 16 is a front perspective view of FIG. 10.

(Continued)

(56) **References Cited**

U.S. PATENT DOCUMENTS

- D620,514 S \* 7/2010 Kim ..... D16/208
- D644,428 S \* 9/2011 Feng ..... D3/218
- D647,434 S \* 10/2011 Chambers ..... D12/114



The broken lines showing a case for an electronic device in FIGS. 1 and 9 depict environmental matter and form no part of the claimed design.

**1 Claim, 11 Drawing Sheets**

(56) **References Cited**

U.S. PATENT DOCUMENTS

D752,597	S *	3/2016	Girault .....	D14/447
9,332,170	B1 *	5/2016	Khalili .....	H04N 5/2251
D759,023	S *	6/2016	Liu .....	D14/253
2006/0257138	A1	11/2006	Fromm	
2006/0269276	A1	11/2006	O'Shea et al.	
2008/0187308	A1	8/2008	Hannan	
2010/0072334	A1	3/2010	Le Gette et al.	
2010/0200710	A1	8/2010	Shenouda	
2012/0006950	A1 *	1/2012	Vandiver .....	F16M 11/10 248/176.3
2012/0025039	A1 *	2/2012	Segal .....	F16M 11/24 248/188.6
2012/0256068	A1 *	10/2012	Su .....	F16M 11/041 248/288.11
2013/0077211	A1 *	3/2013	Wang .....	G06F 1/1637 361/679.01
2013/0161967	A1	6/2013	Jarrett et al.	
2013/0233986	A1	9/2013	Rasheta	

\* cited by examiner

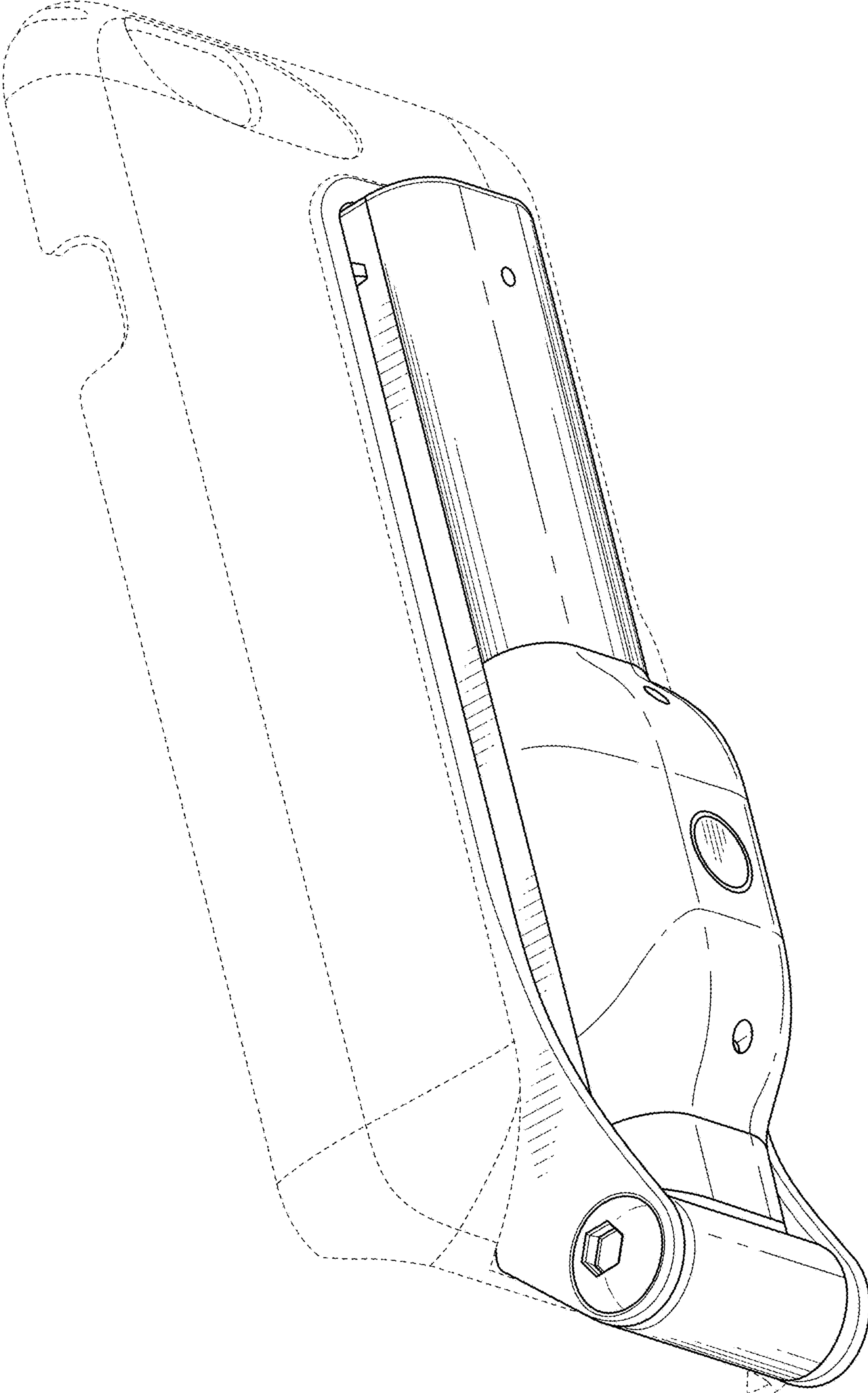


FIG. 1



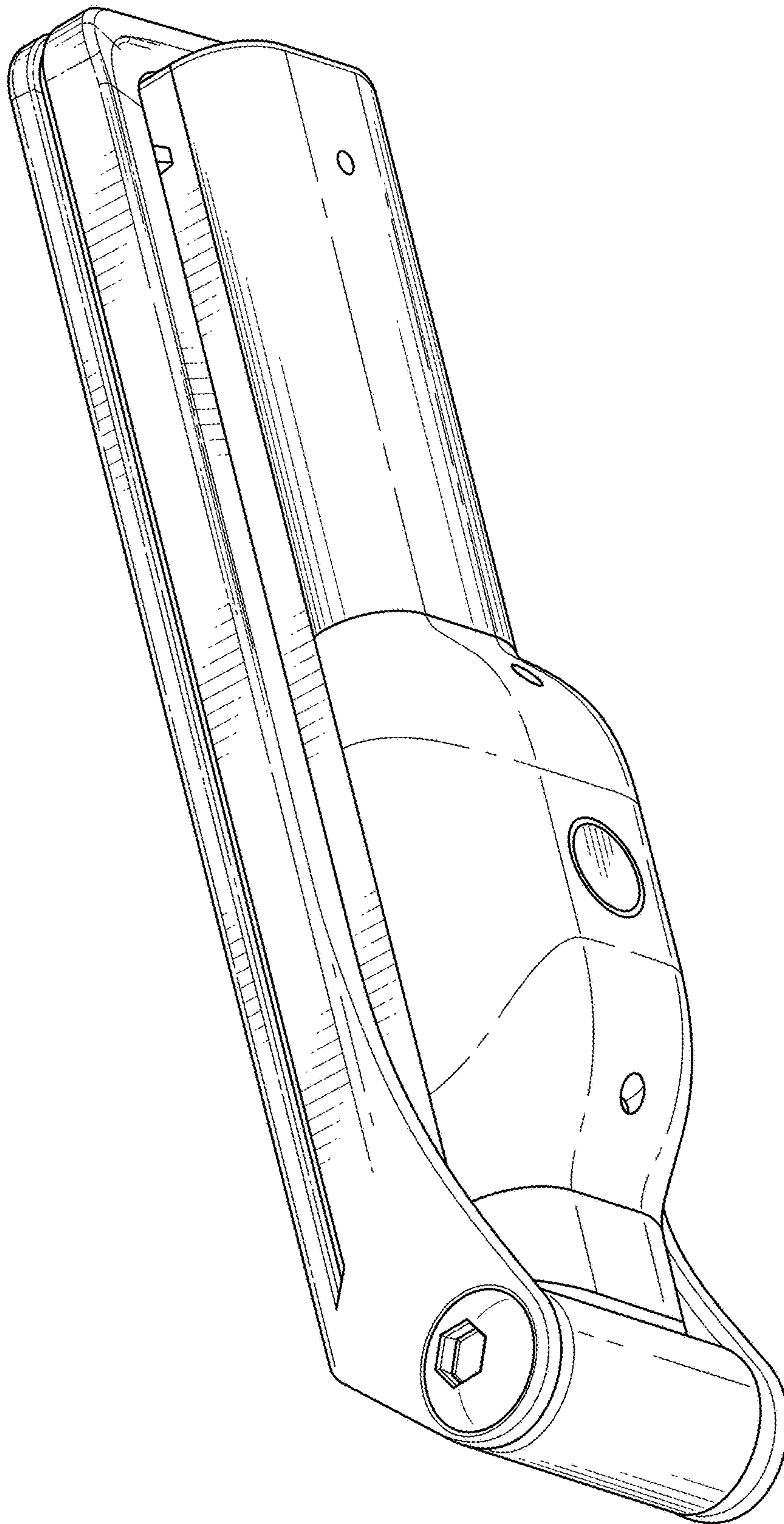


FIG. 2

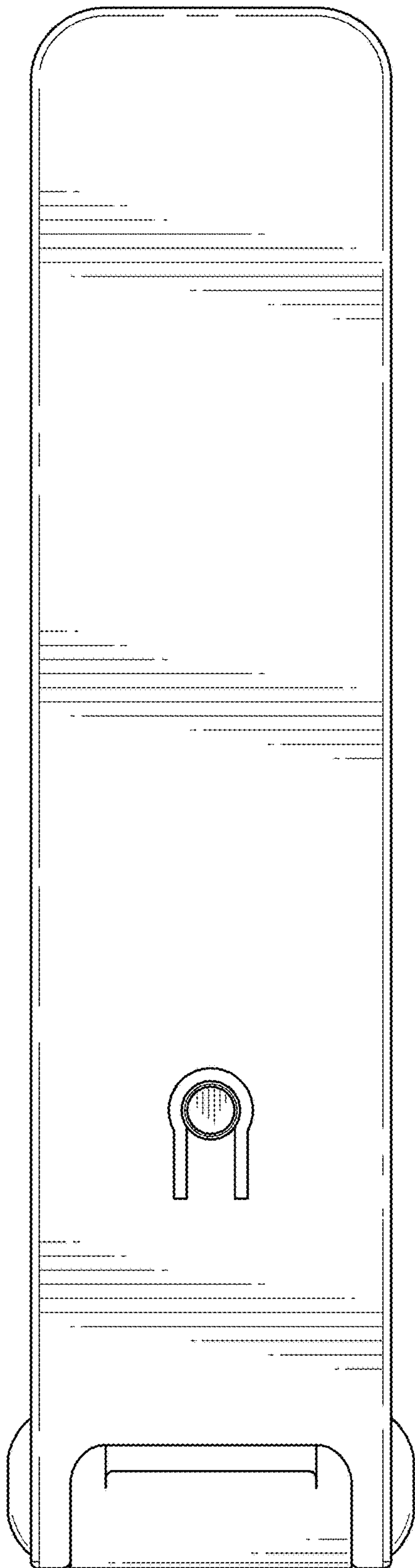


FIG. 3

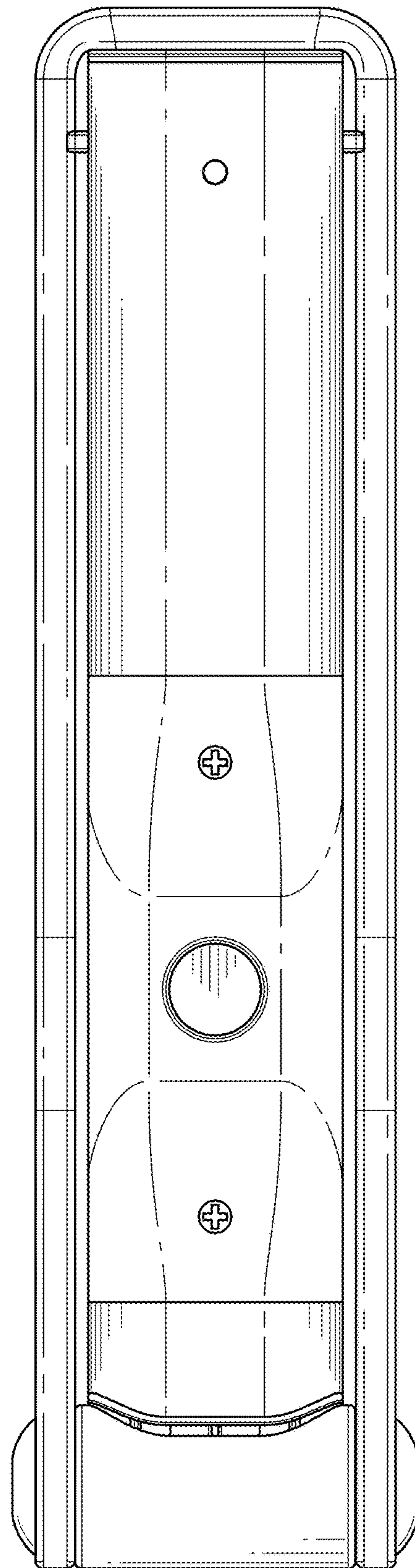


FIG. 4

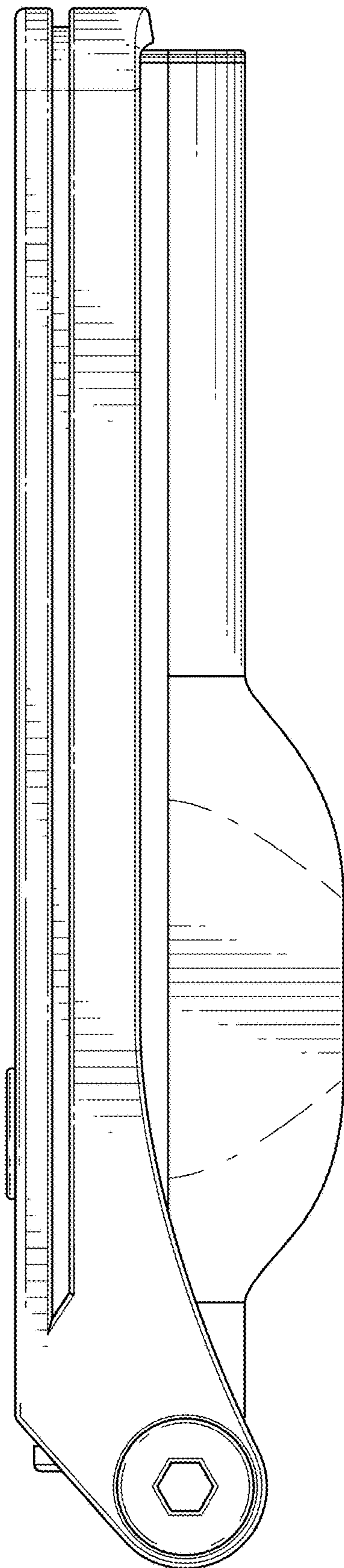


FIG. 5

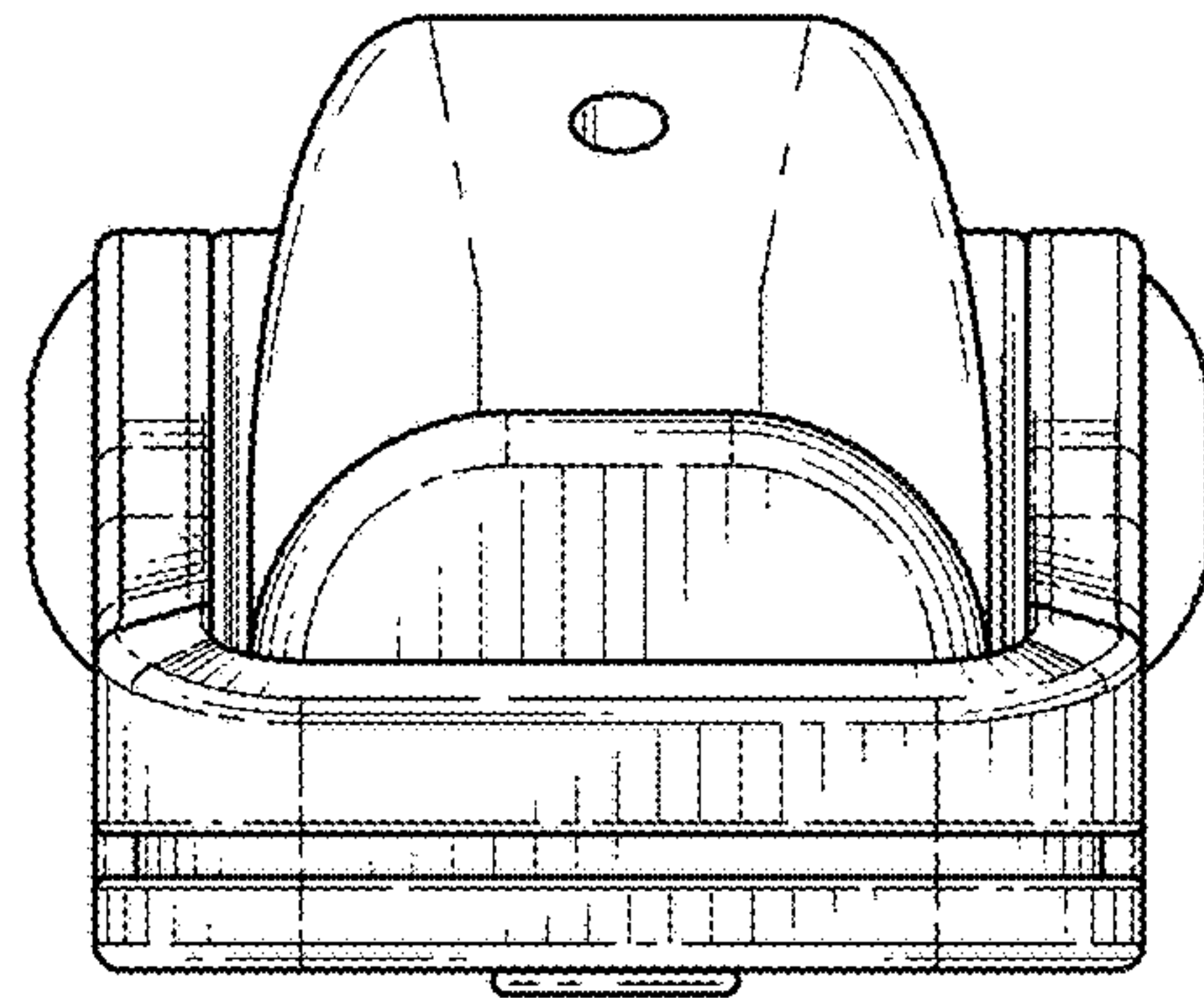


FIG. 6

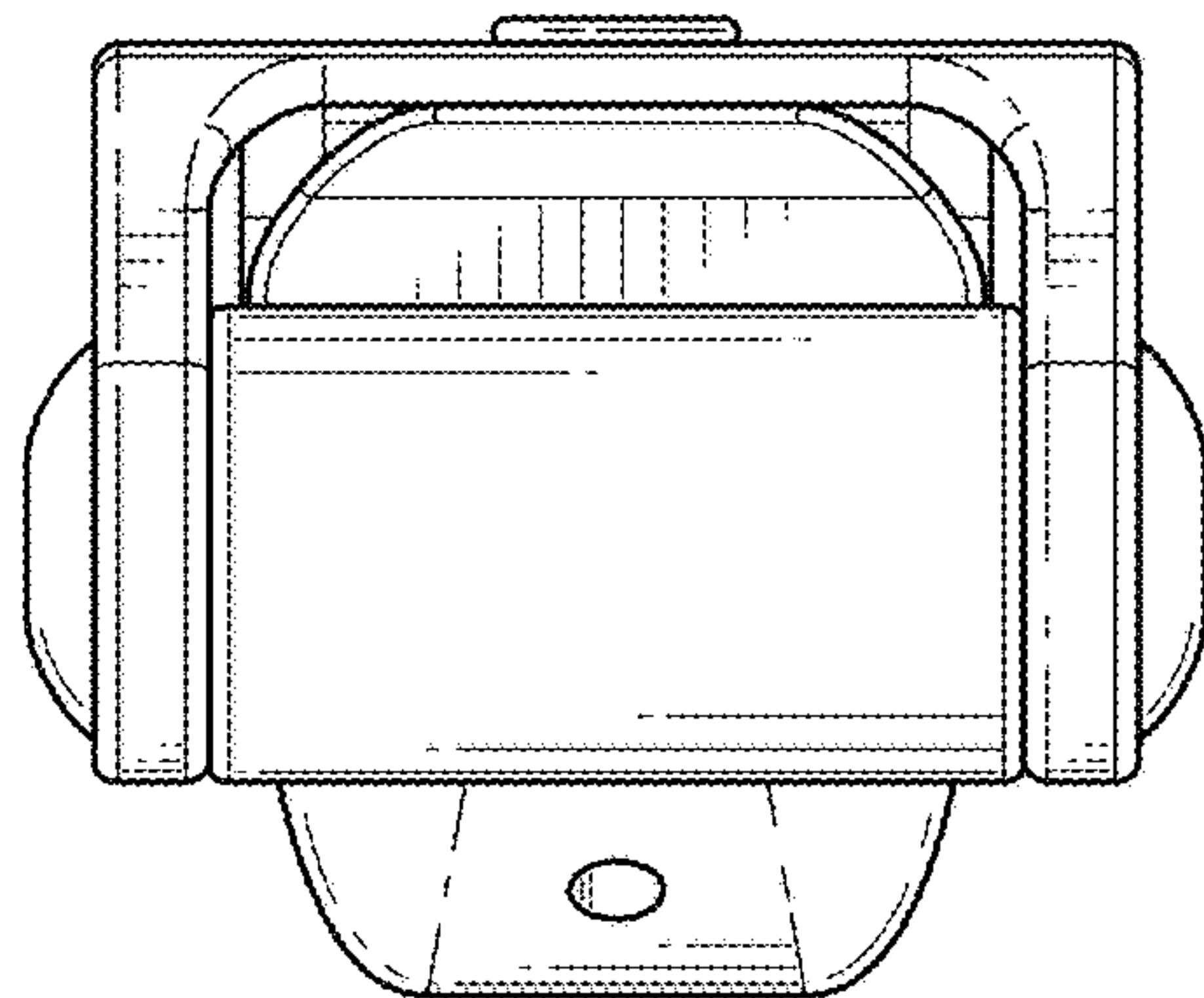


FIG. 7



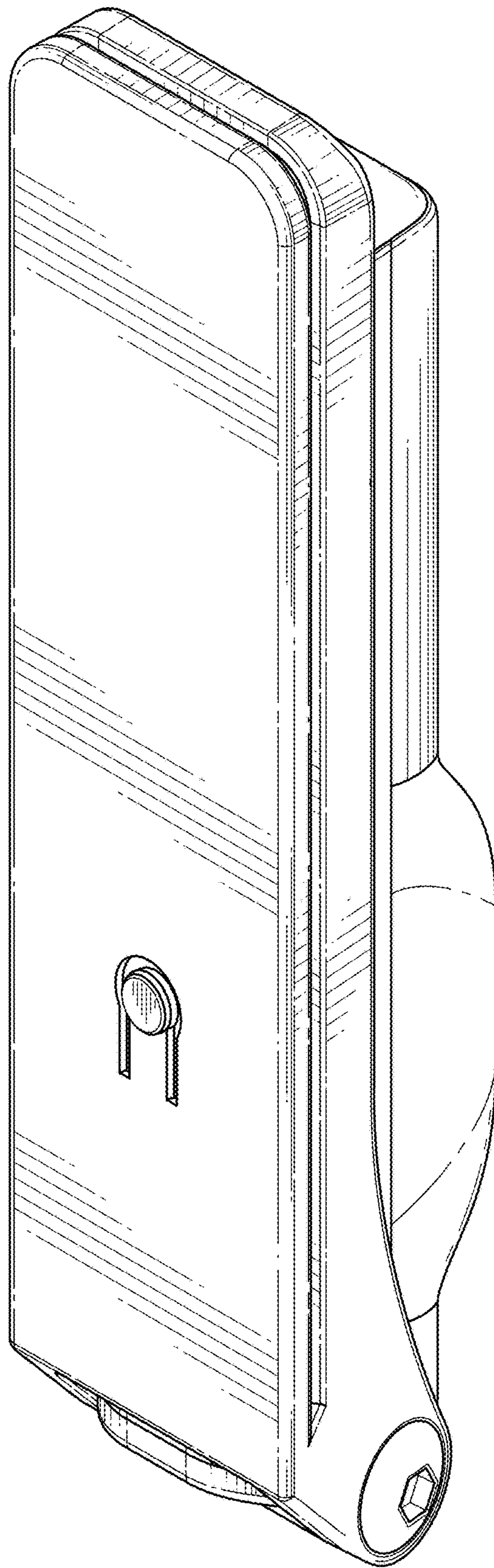


FIG. 8

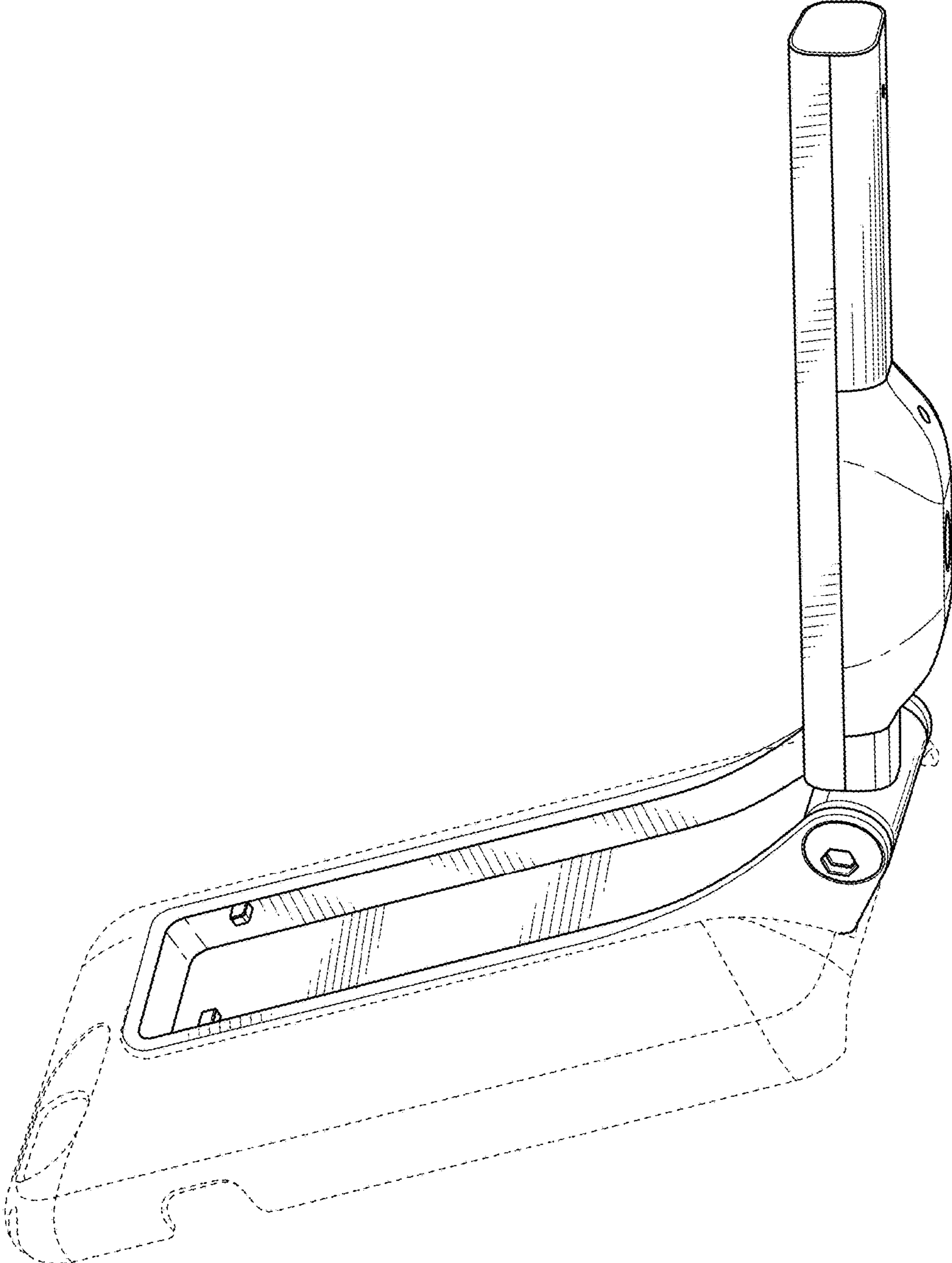
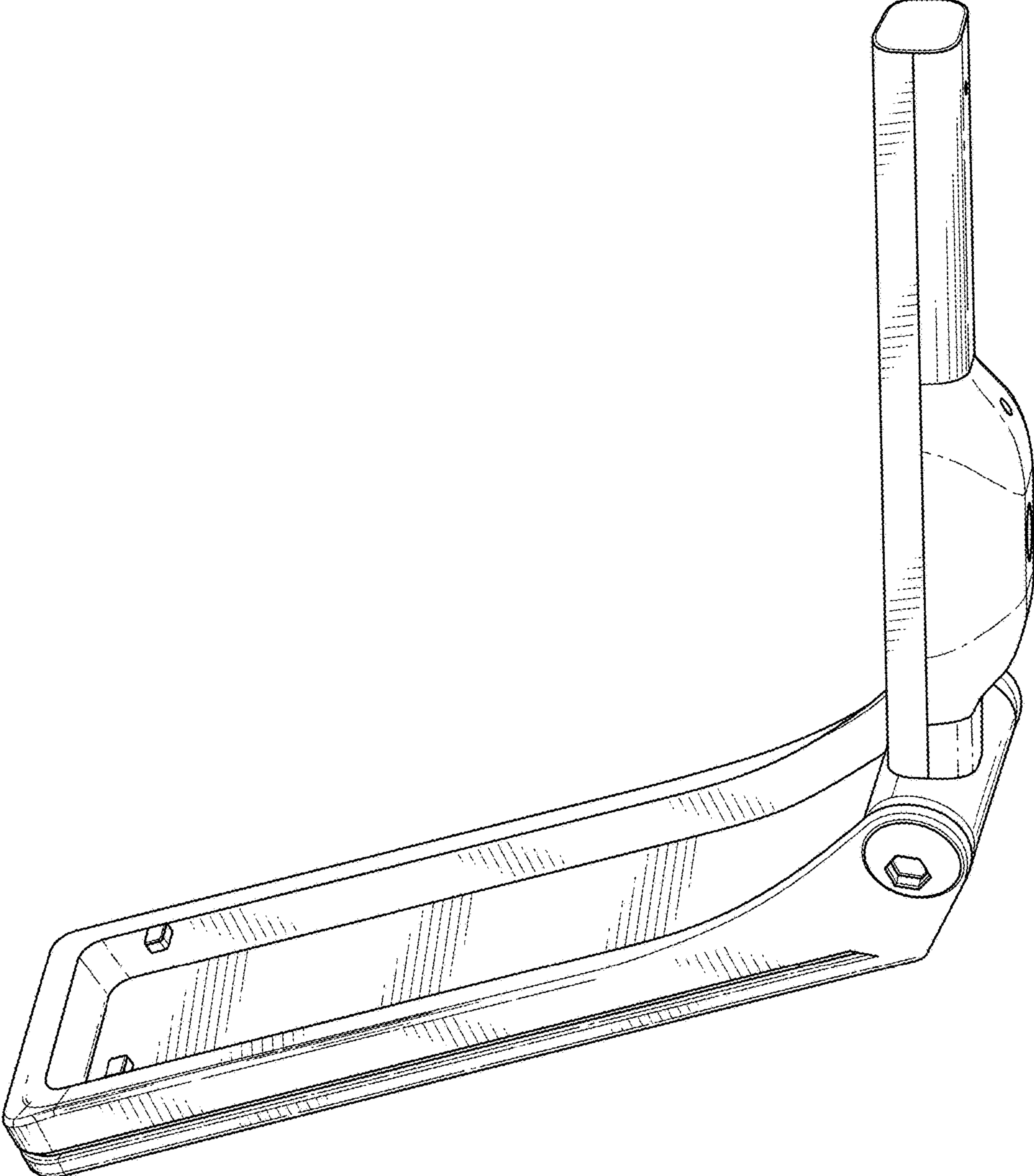


FIG. 9



FIG. 10



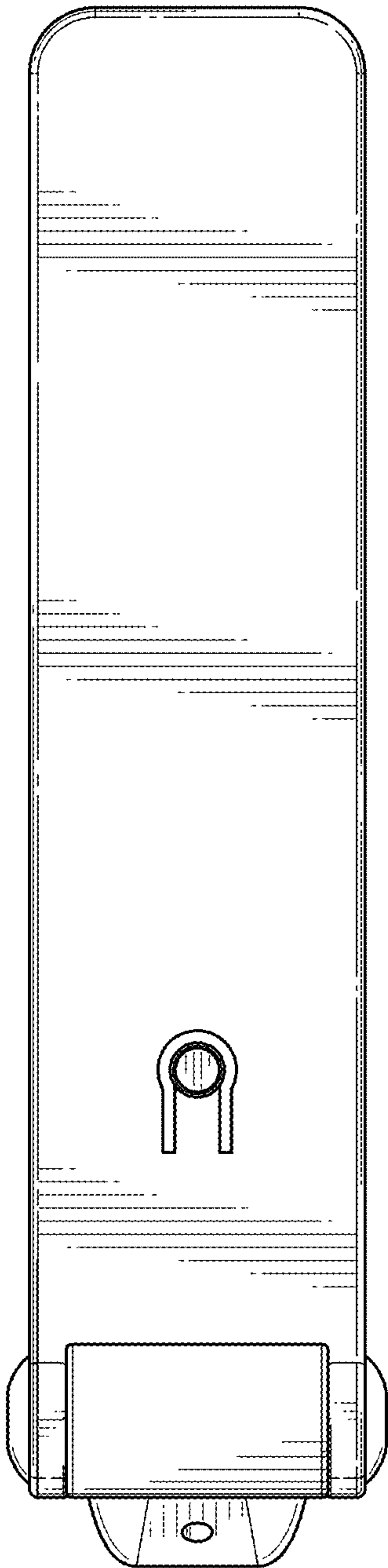


FIG. 11

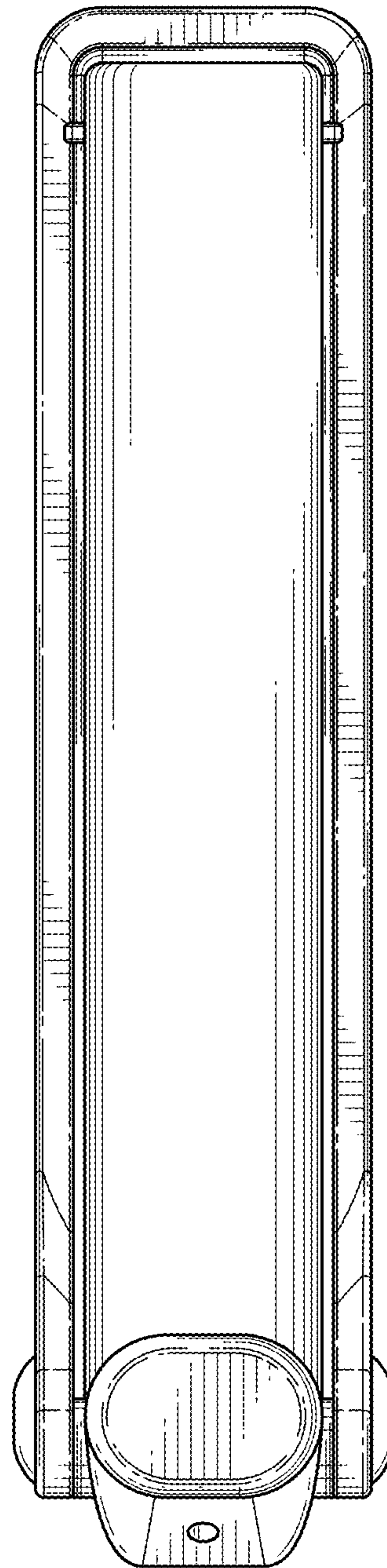


FIG. 12

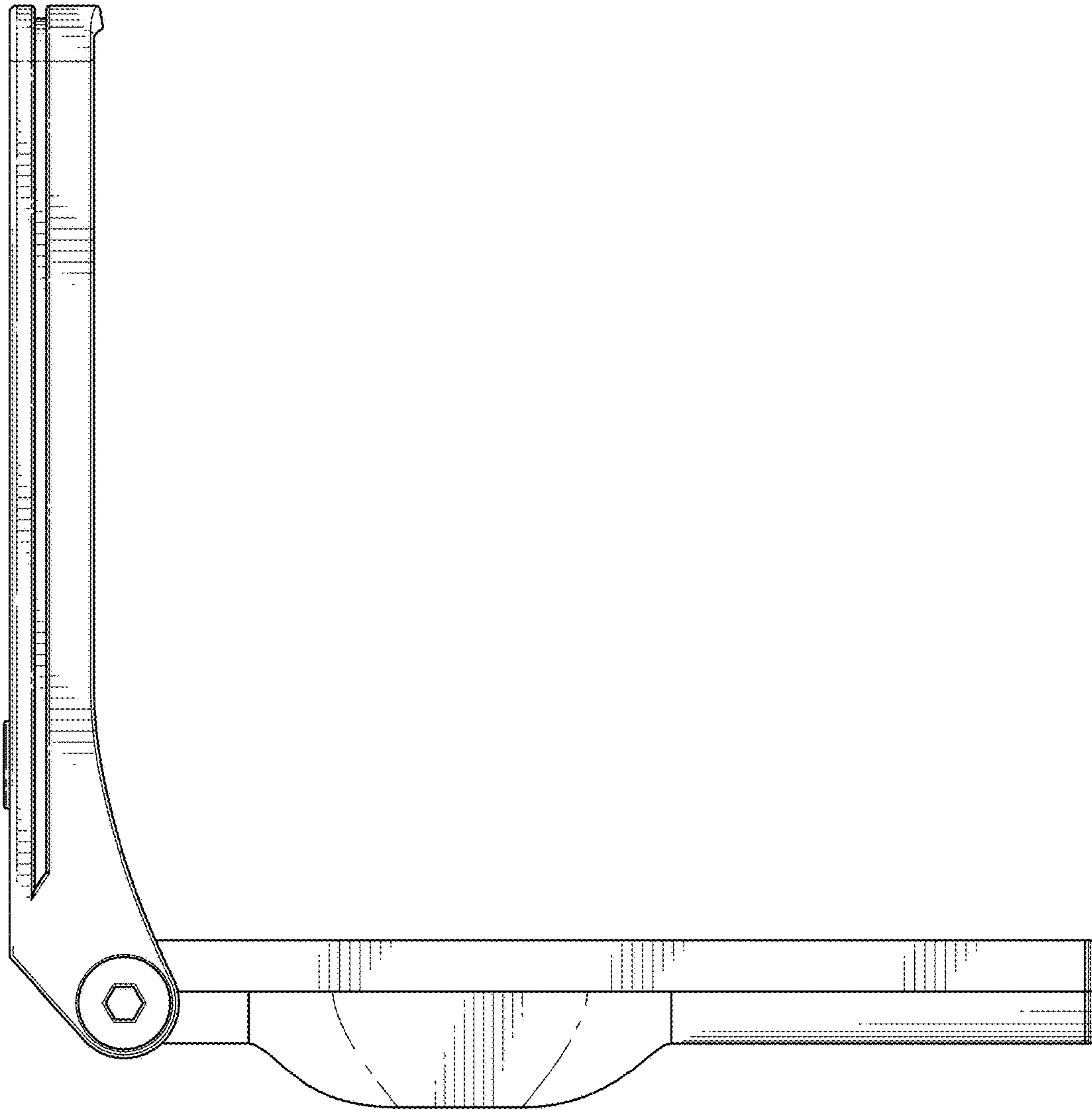


FIG. 13



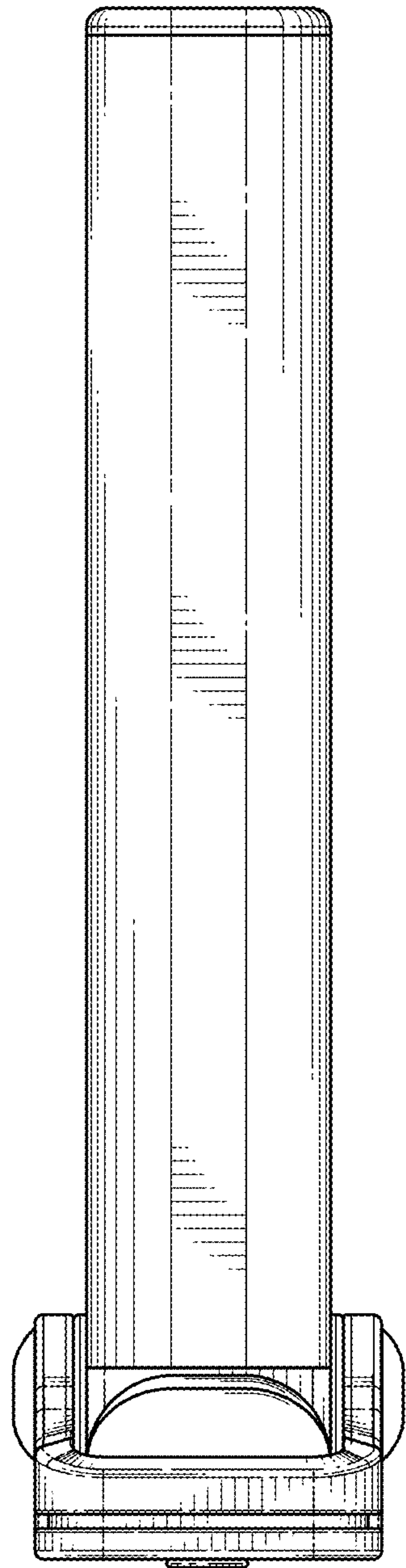


FIG. 14

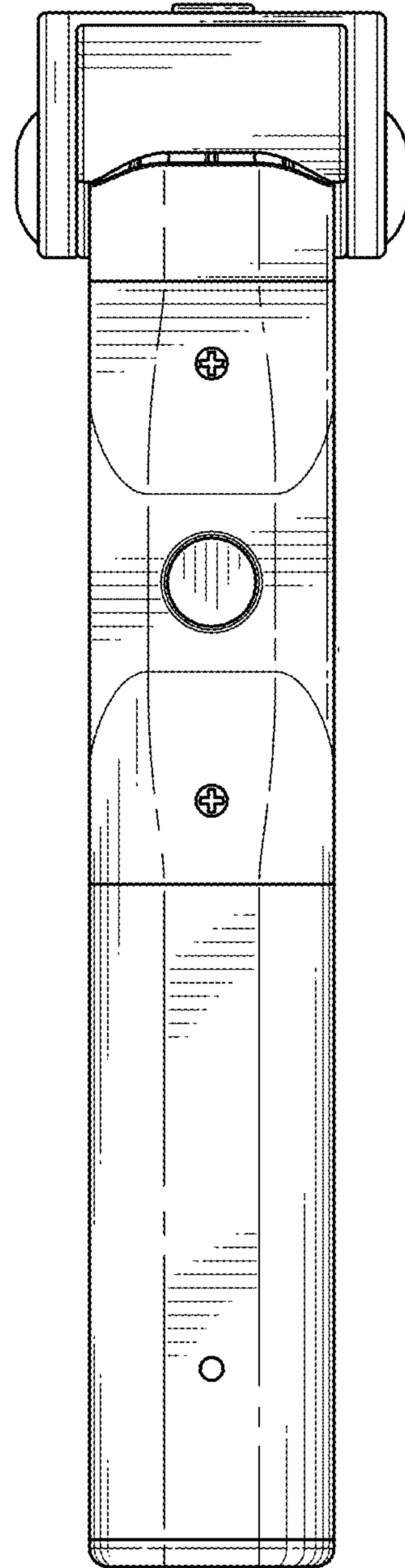


FIG. 15

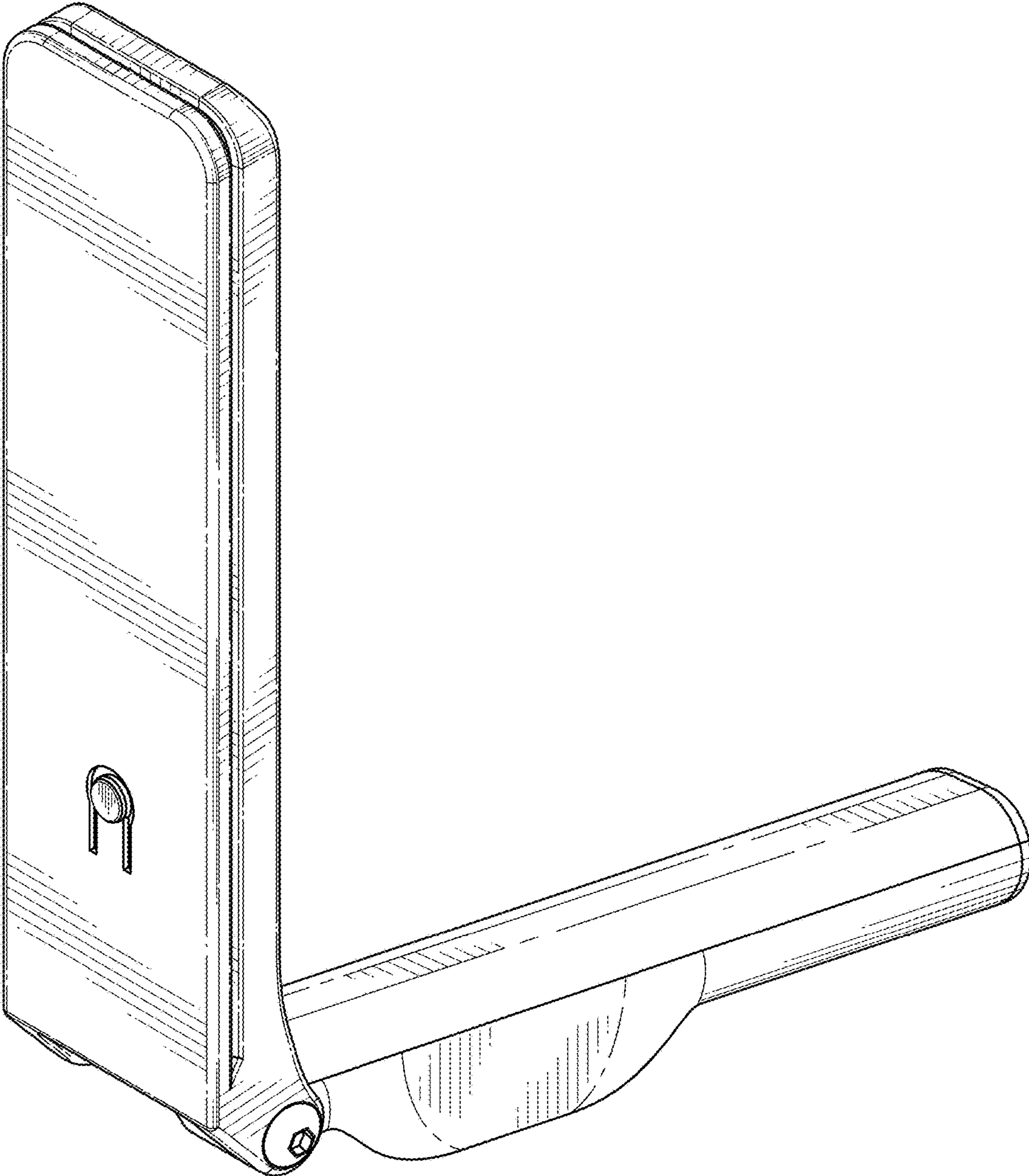


FIG. 16