



US00D778898S

(12) **United States Design Patent** (10) **Patent No.:** **US D778,898 S**
Kim (45) **Date of Patent:** **** Feb. 14, 2017**

(54) **CASE FOR ELECTRONIC DEVICE**

(71) Applicant: **SPIGEN KOREA Co., LTD.**, Seoul (KR)

(72) Inventor: **Dae-Young Kim**, Seoul (KR)

(73) Assignee: **SPIGEN KOREA CO., LTD.**, Geumcheon-Gu, Seoul (KR)

(**) Term: **15 Years**

(21) Appl. No.: **29/569,944**

(22) Filed: **Jul. 1, 2016**

Related U.S. Application Data

(63) Continuation of application No. 29/518,091, filed on Feb. 19, 2015.

(51) **LOC (10) Cl.** **14-03**

(52) **U.S. Cl.**
USPC **D14/250**

(58) **Field of Classification Search**

USPC D14/143, 189, 203.2–203.7, 217, 238.1, D14/240, 248, 250, 251–253, 440, 447, D14/496; D13/103, 107–108, 119; D3/201, 218, 247, D3/269, 273, 301, 303
(Continued)

(56) **References Cited**

U.S. PATENT DOCUMENTS

D613,761 S * 4/2010 Jones D14/203.3
D613,762 S * 4/2010 Jones D14/203.3
(Continued)

OTHER PUBLICATIONS

<https://www.amazon.com/Spigen-Gunmetal-EXTREME-Protection-Samsung/dp/B0013UWDV8/> —Available as early as Mar. 9, 2014.*

(Continued)

Primary Examiner — Manpreet Matharu

Assistant Examiner — Mojtaba Tehrani

(74) *Attorney, Agent, or Firm* — East West Law Group; Heedong Chae

(57) **CLAIM**

The ornamental design for a case for electronic device, as shown and described.

DESCRIPTION

FIG. 1 is a front perspective view of a case for electronic device showing my new design;

FIG. 2 is a rear perspective view thereof;

FIG. 3 is a front elevational view thereof;

FIG. 4 is a rear elevational view thereof;

FIG. 5 is a left side elevational view thereof;

FIG. 6 is a right side elevational view thereof;

FIG. 7 is a top plan view thereof;

FIG. 8 is a bottom plan view thereof;

FIG. 9 is a rear perspective view thereof with a support leg extended;

FIG. 10 is an exploded rear perspective view thereof, showing an inner shell, the support leg, and an outer frame;

FIG. 11 is a front perspective view of the inner shell of the case;

FIG. 12 is a rear perspective view of the inner shell of the case;

FIG. 13 is affront perspective view of the support leg of the case;

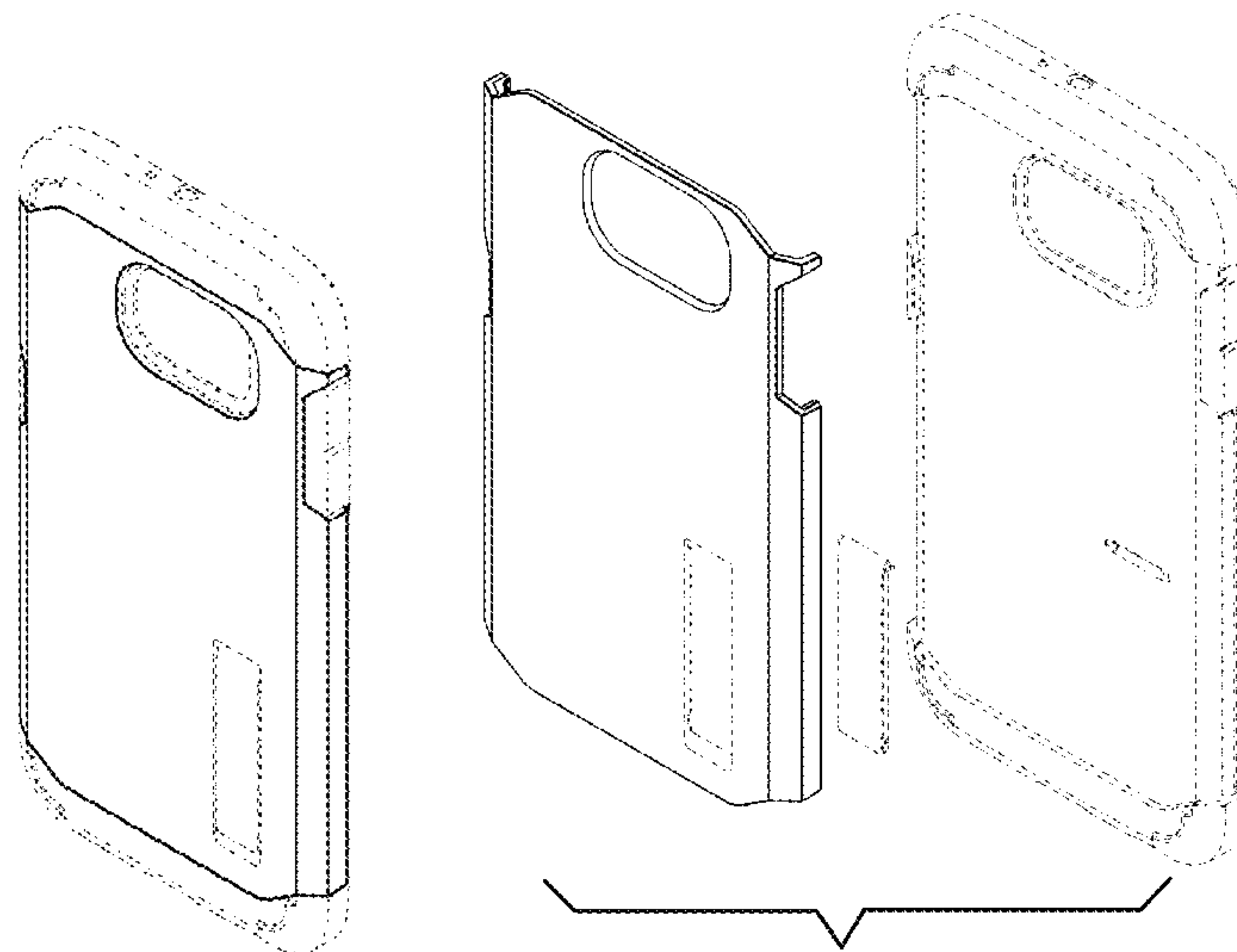
FIG. 14 is a rear perspective view of the support leg of the case;

FIG. 15 is a front perspective view of the outer frame of the case; and,

FIG. 16 is a rear perspective view of the outer frame of the case.

The broken line in the figure drawings represents unclaimed environment only and forms no part of the claimed design.

1 Claim, 16 Drawing Sheets



(58) **Field of Classification Search**

CPC A45C 1/06; A45C 11/00; A45C 13/02;
A45C 2011/002; A45F 2005/026; A45F
2200/0525; A45F 2200/0516; H04B
1/3888; H04M 1/0283; H04M 1/0202

See application file for complete search history.

(56) **References Cited**

U.S. PATENT DOCUMENTS

D613,763 S * 4/2010 Jones D14/203.3
D614,668 S * 4/2010 Jones D14/203.7
D619,361 S 7/2010 Andre
D646,265 S 10/2011 Fathollahi
D676,035 S 2/2013 Chang
D681,615 S 5/2013 Fathollahi
8,517,172 B1 8/2013 Chang
8,706,176 B1 4/2014 Jia
D706,254 S 6/2014 Chang
D709,871 S 7/2014 Lee
D721,071 S * 1/2015 Nelson D14/250
9,049,283 B1 * 6/2015 Kim H04M 1/21
D749,068 S 2/2016 Zaborski
D749,535 S 2/2016 Joung
D753,099 S * 4/2016 Kim D14/250
D755,764 S 5/2016 Dong
D755,772 S 5/2016 Sasaki
D756,339 S 5/2016 Tussy
D756,340 S * 5/2016 Babichenko D14/250

D756,343 S 5/2016 Wall et al.
D756,909 S 5/2016 Gupta
D756,977 S * 5/2016 Schriefer D14/250
D756,978 S 5/2016 Addonisio
D756,980 S 5/2016 Beeman
D757,703 S 5/2016 Kanazawa
D759,641 S 6/2016 Lai et al.
D762,633 S * 8/2016 Fife D14/250
D765,635 S * 9/2016 Chang D14/250
D765,638 S * 9/2016 Gaylord D14/250
D765,640 S * 9/2016 Bulkley D14/250
2011/0050606 A1 3/2011 Zhang
2015/0335116 A1 11/2015 Kim

OTHER PUBLICATIONS

<http://www.spigen.com/collections/galaxy-s6/galaxy-s6-case-tough-armor?variant=1160710157>—Earliest review date of May 12, 2015.
<http://www.spigen.com/collections/galaxy-s7/products/galaxy-s7-case-tough-armor-1?variant=12163553089>—Product review date of Mar. 8, 2016.
http://www.amazon.com/Spigen%C2%AE-Gunmetal-EXTREME-Protection-Protective/dp/B01A7IDNWQ/ref=pd_sim_107_5?ie=UTF8&dpID=41hi9zQzsuL&dpSrc=sim&preST=__AC__UL160_SR160%2C160__&refRID=0YMXPYS3N34F4SHH1NNT—Earliest review date of Feb. 17, 2016.

* cited by examiner

FIG. 1

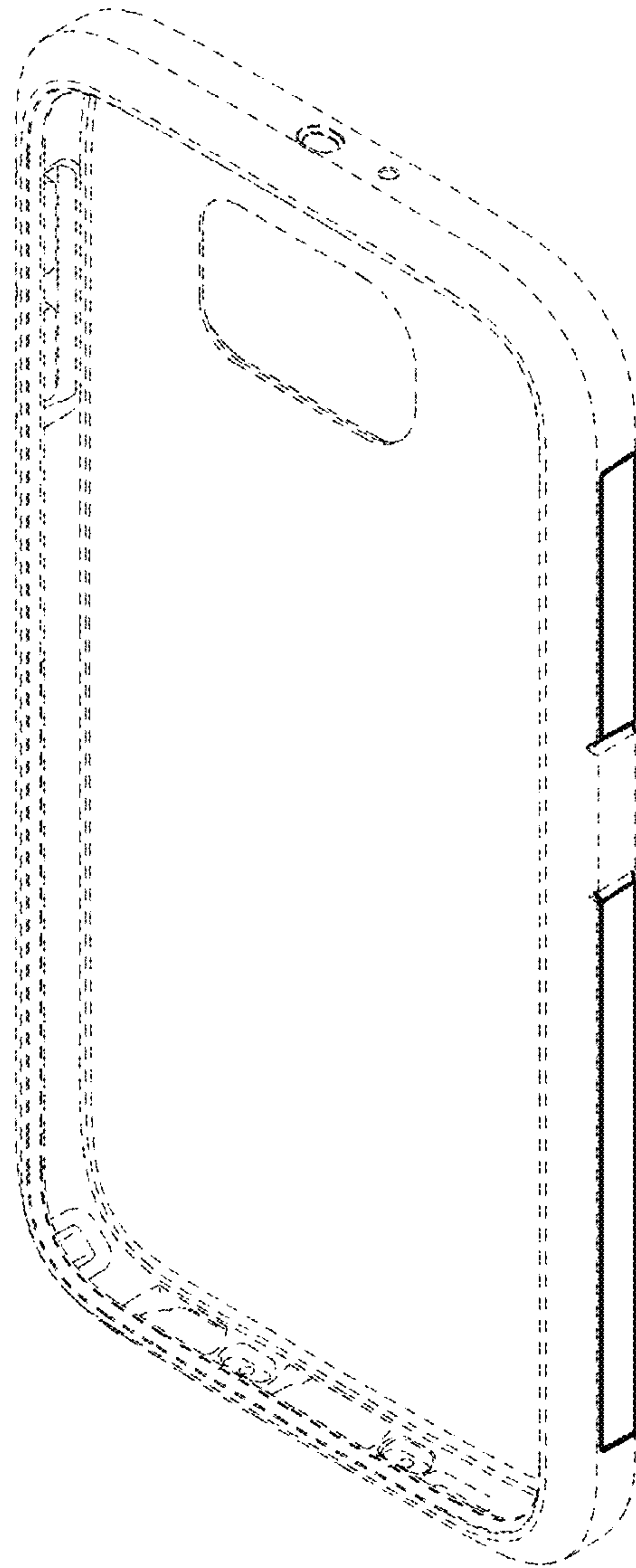


FIG. 2

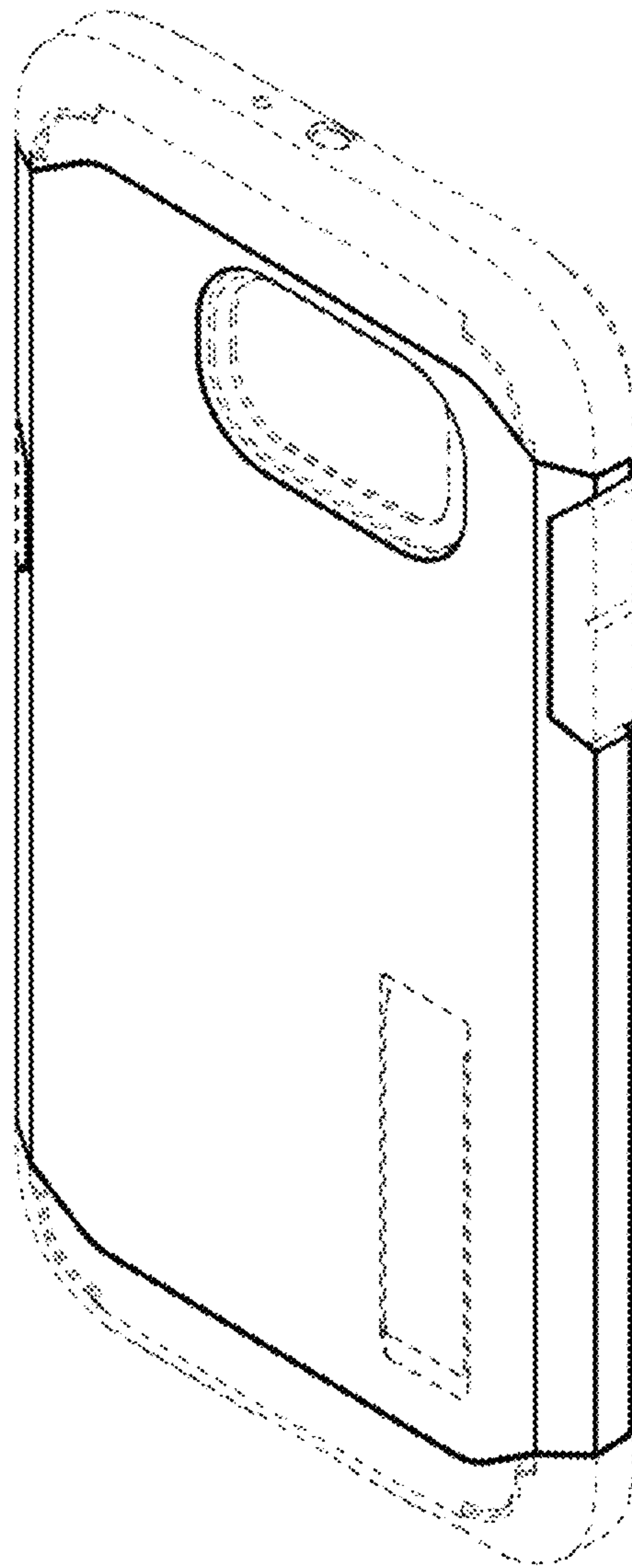


FIG. 3

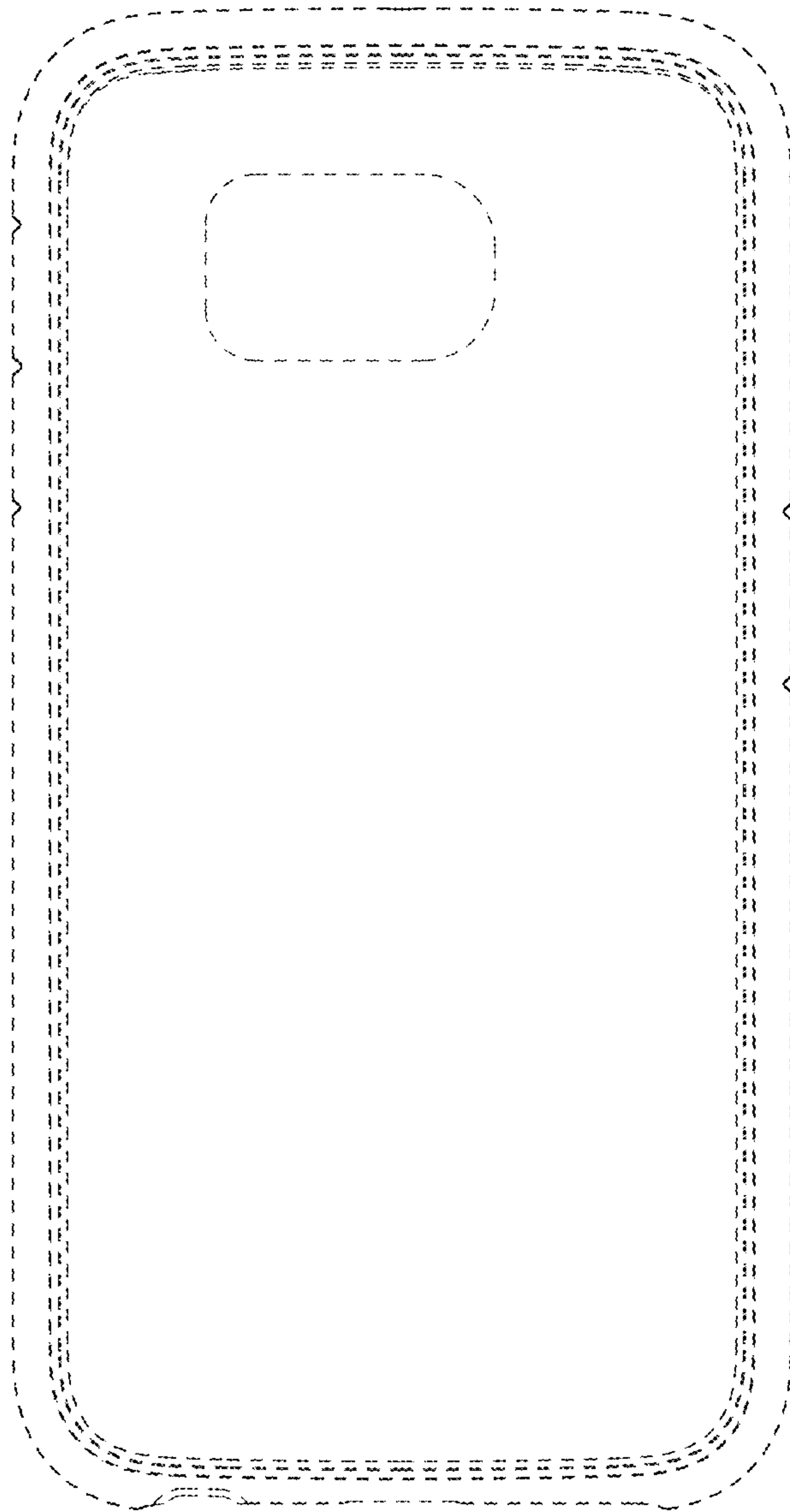


FIG. 4

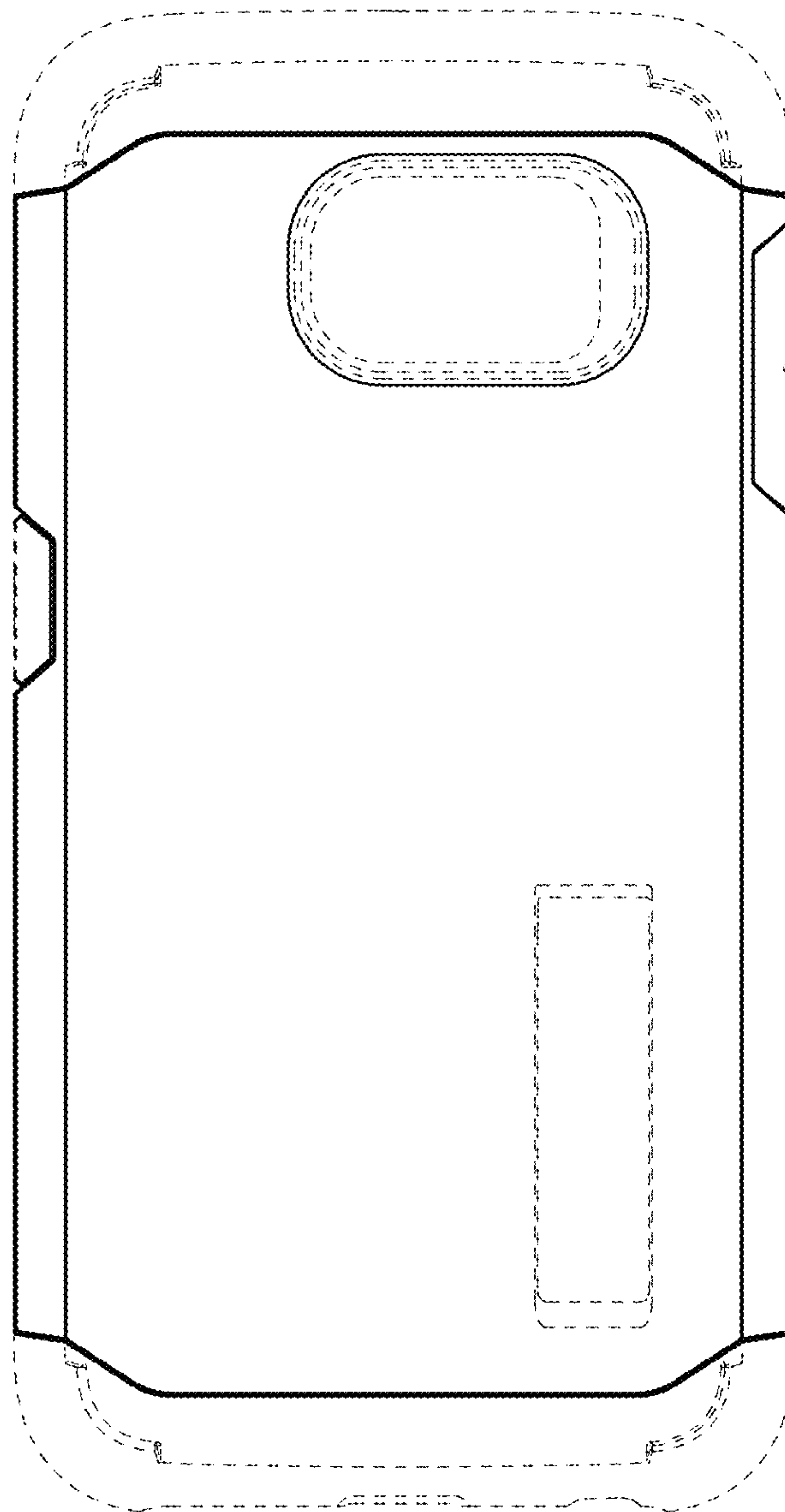


FIG. 5

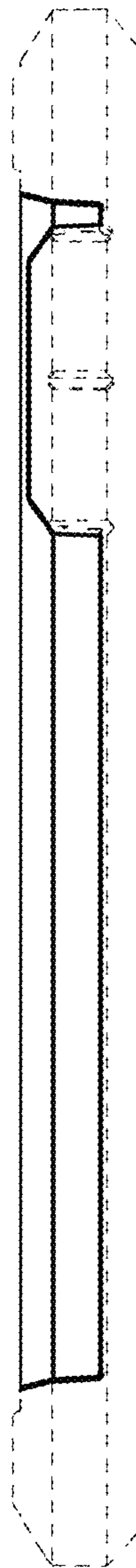


FIG. 6

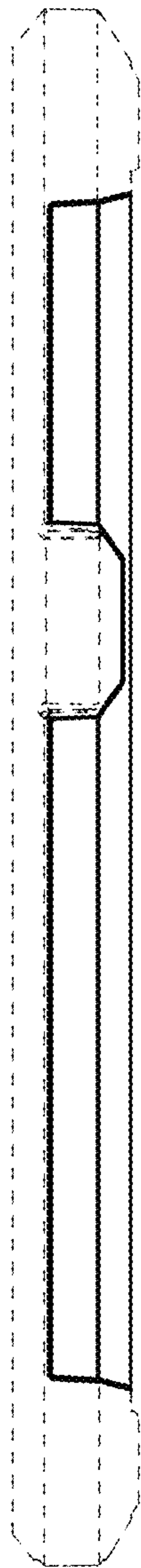


FIG. 7

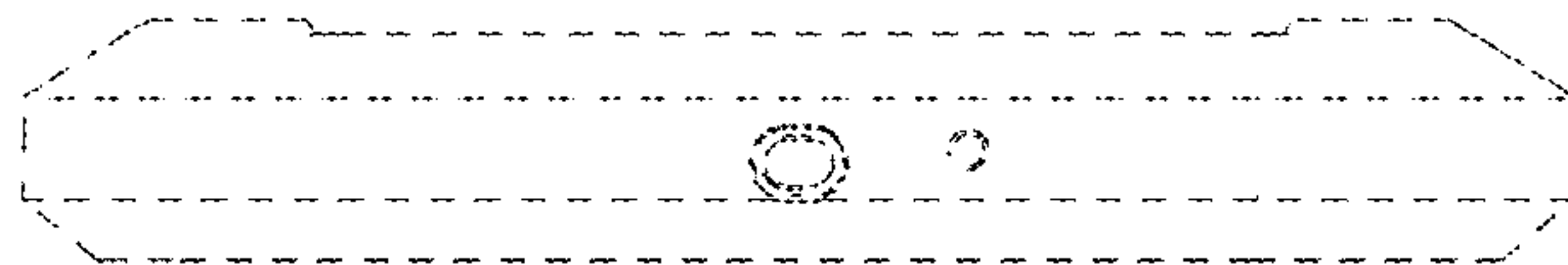


FIG. 8

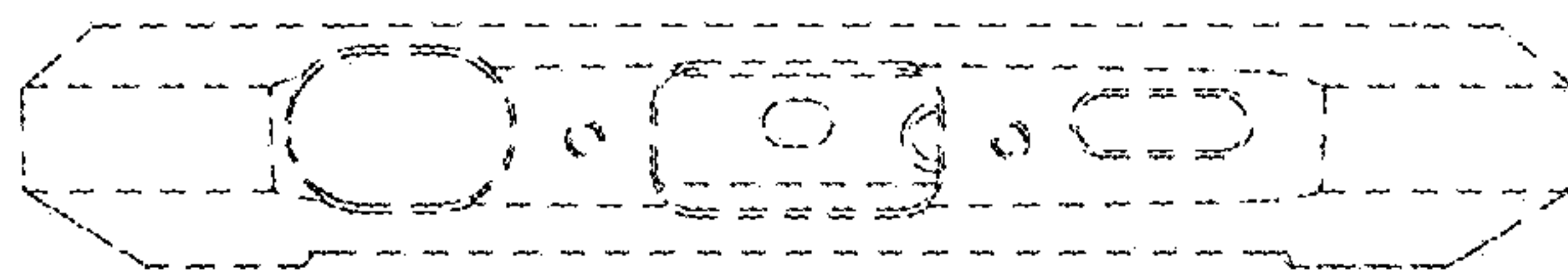


FIG. 9

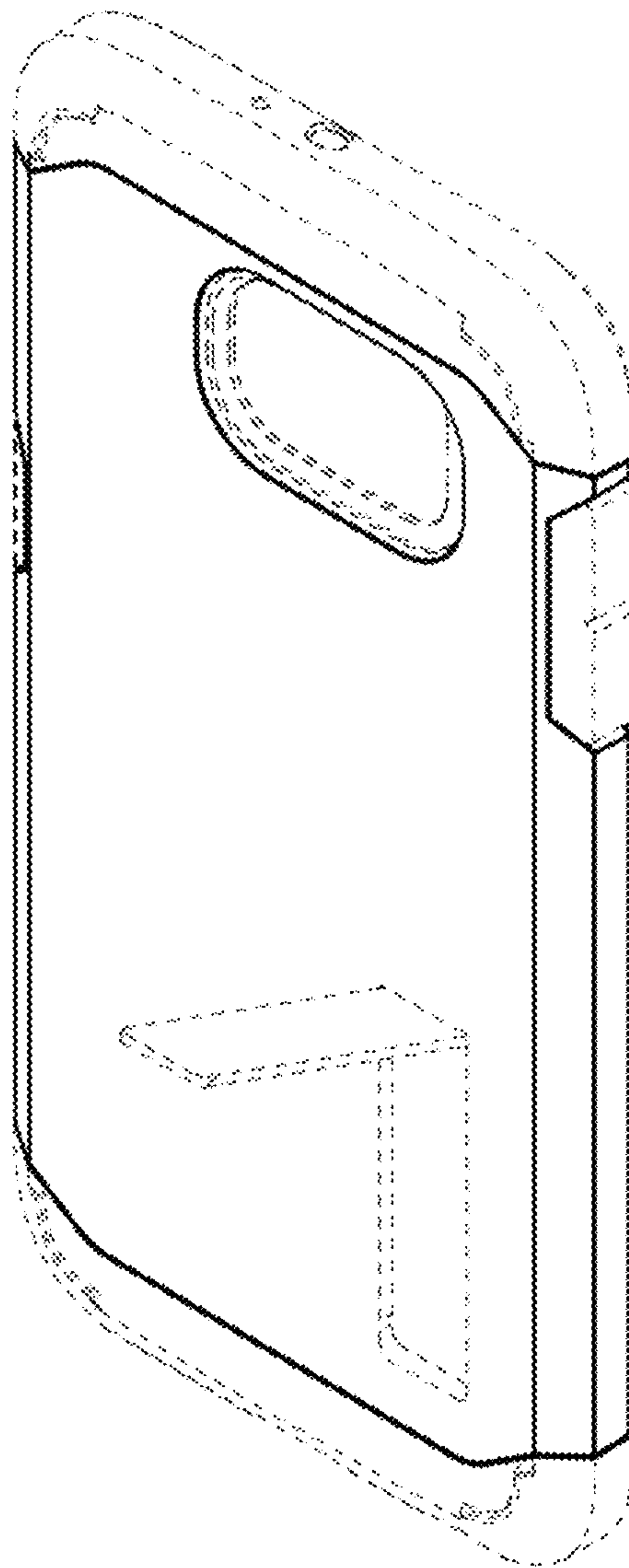


FIG. 10

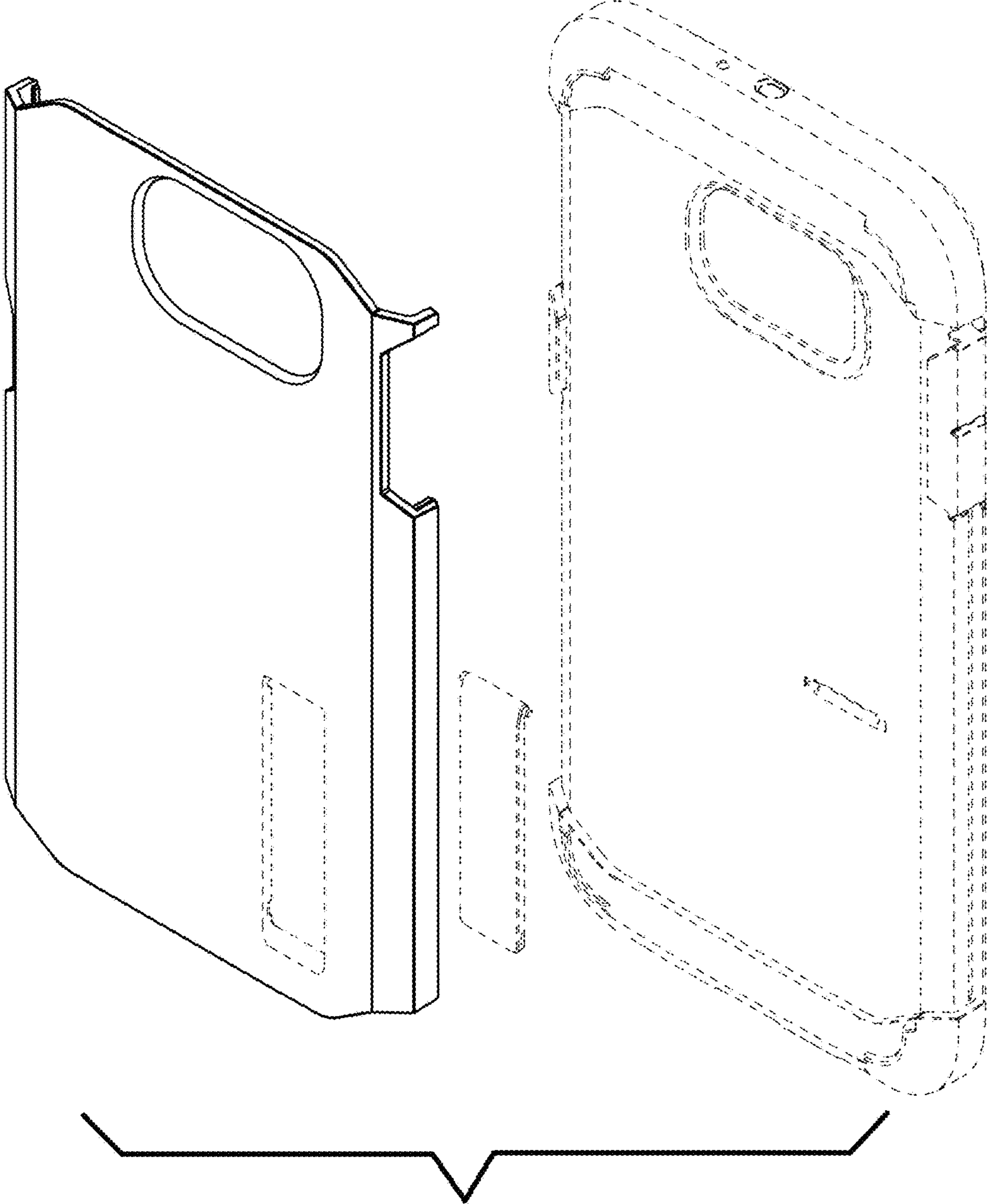


FIG. 11

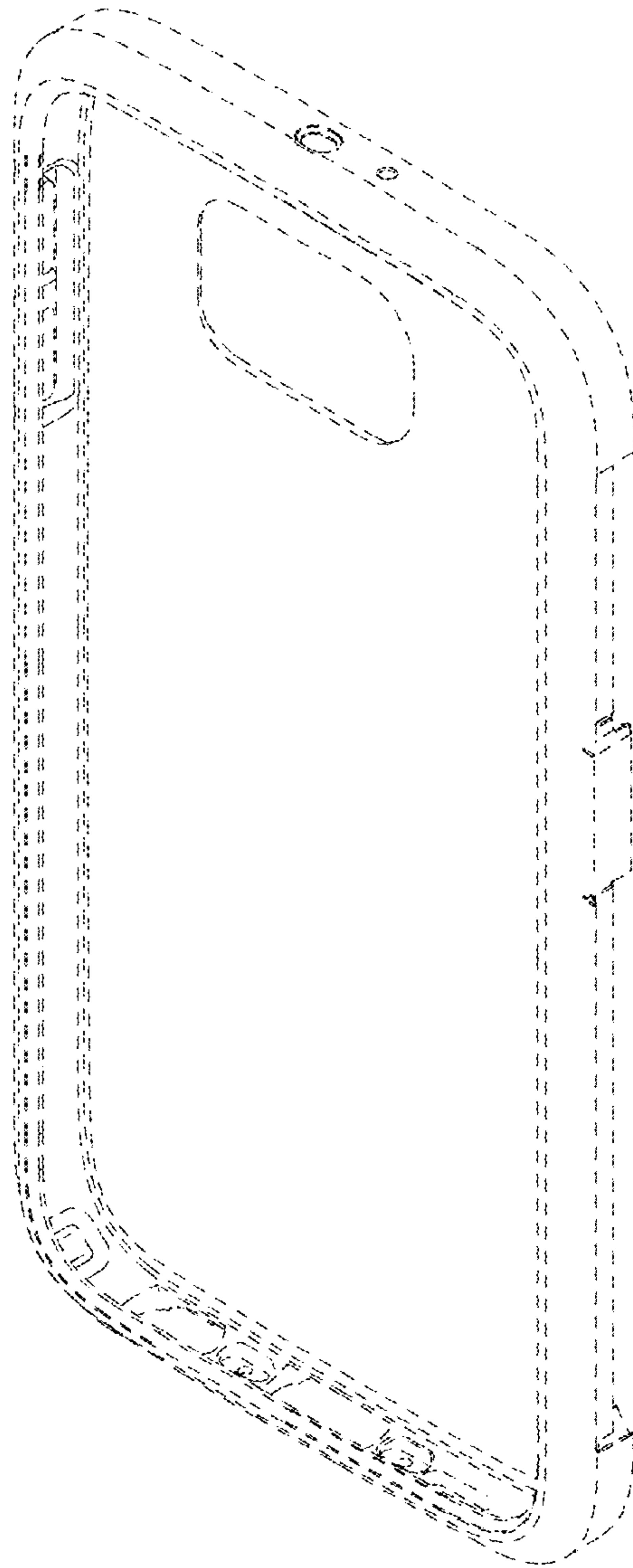


FIG. 12

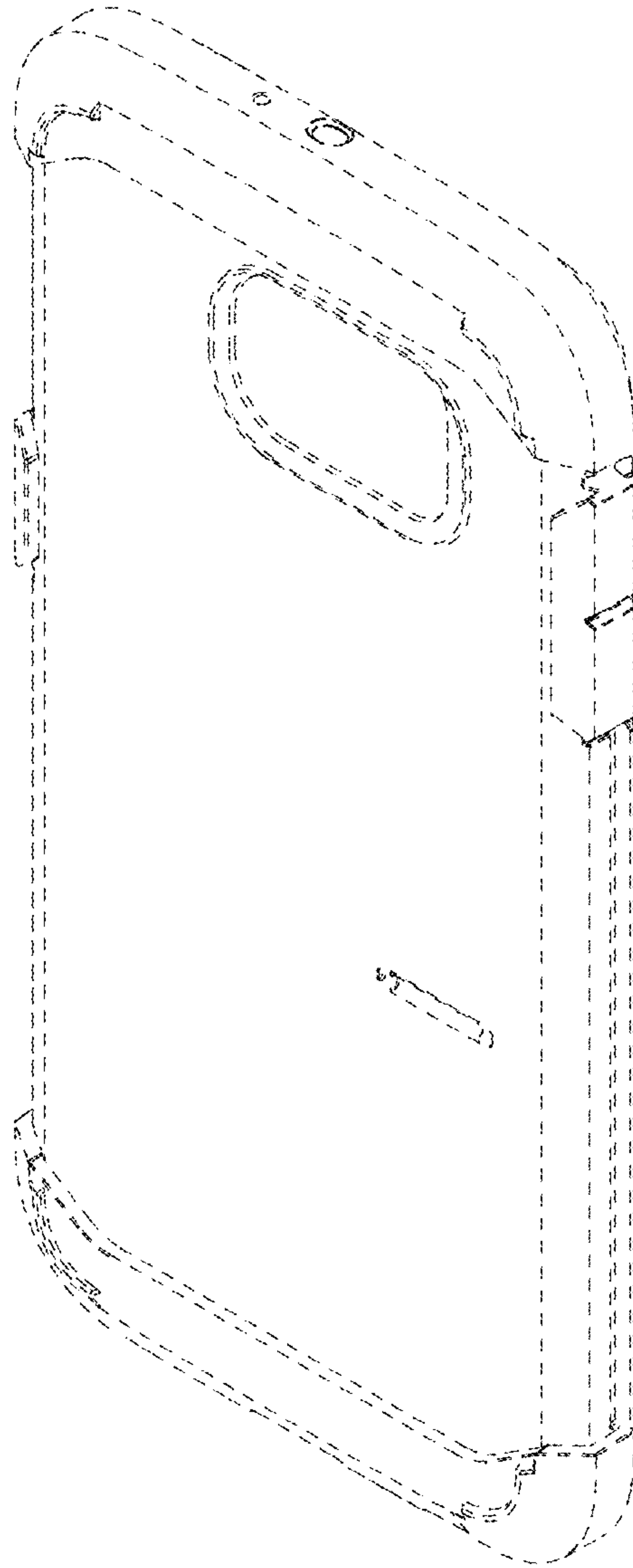


FIG. 13

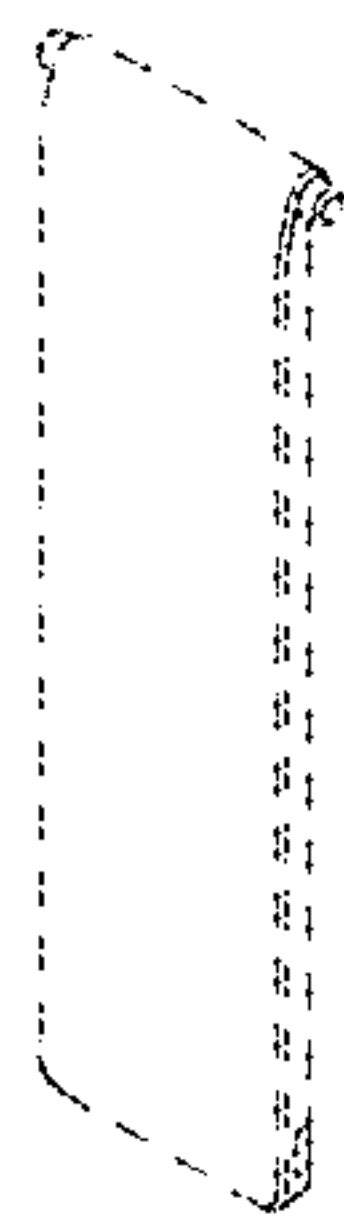


FIG. 14

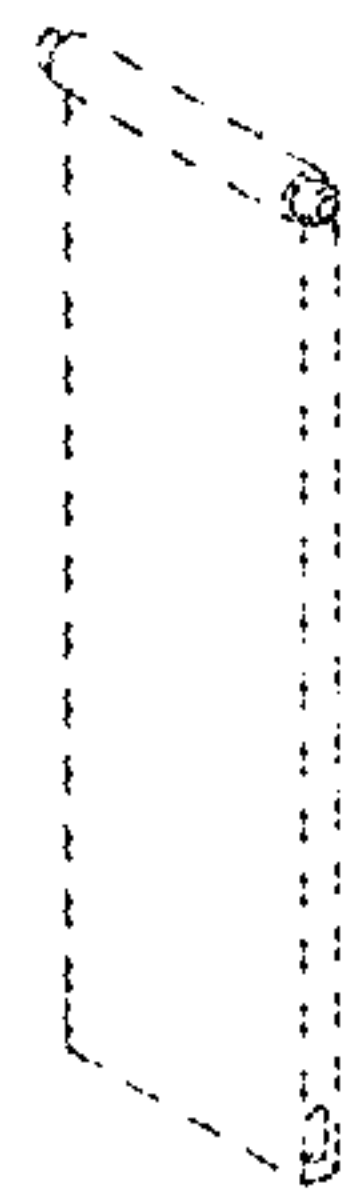


FIG. 15

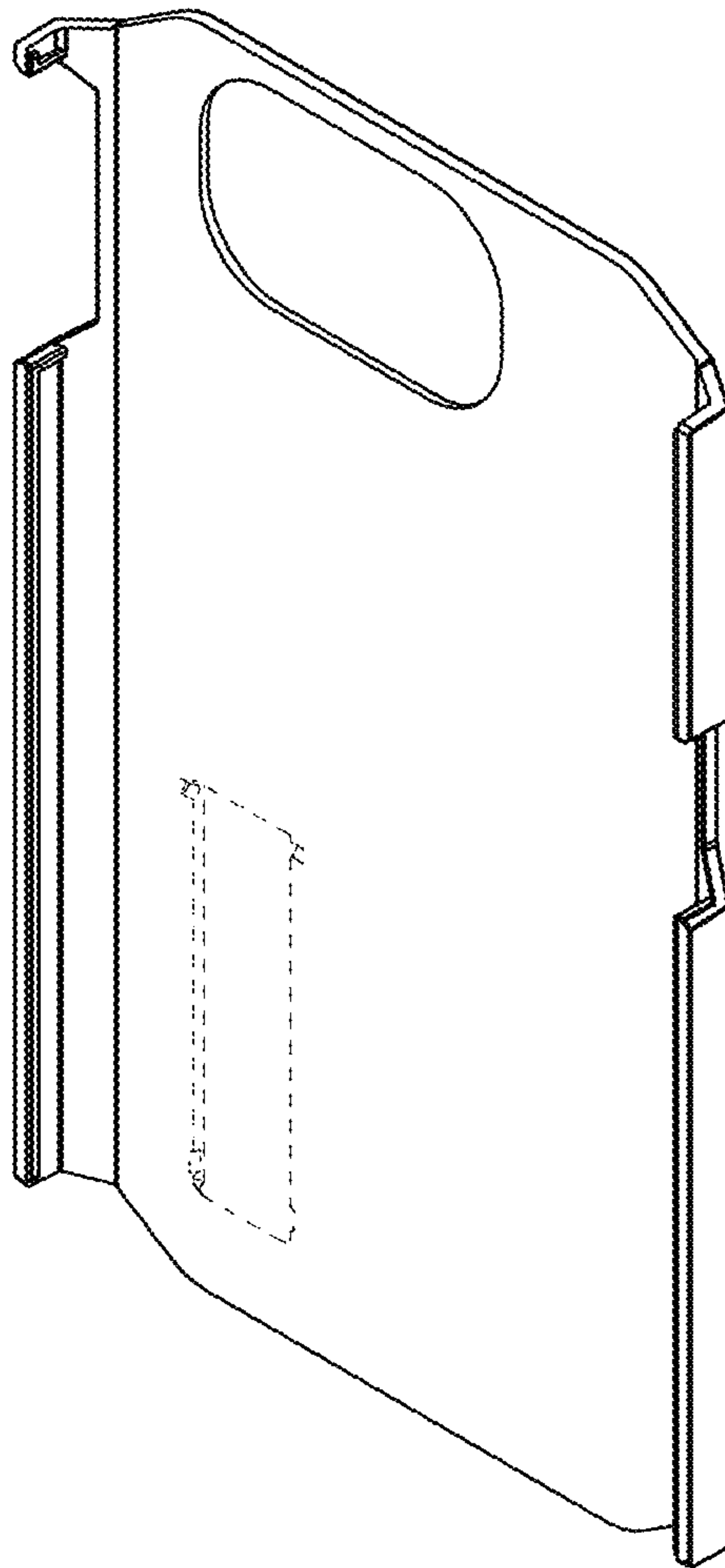


FIG. 16

