



US00D778897S

(12) **United States Design Patent**  
**Kim**

(10) **Patent No.:** **US D778,897 S**

(45) **Date of Patent:** **\*\* Feb. 14, 2017**

(54) **CASE FOR ELECTRONIC DEVICE**

(71) Applicant: **Spigen Korea Co., LTD.**, Seoul (KR)

(72) Inventor: **Dae-Young Kim**, Seoul (KR)

(73) Assignee: **SPIGEN KOREA CO., LTD.**,  
Geumcheon-Gu, Seoul (KR)

(\*\*) Term: **15 Years**

(21) Appl. No.: **29/569,927**

(22) Filed: **Jul. 1, 2016**

**Related U.S. Application Data**

(63) Continuation of application No. 29/518,090, filed on  
Feb. 19, 2015.

(51) **LOC (10) Cl.** ..... **14-03**

(52) **U.S. Cl.**  
USPC ..... **D14/250**

(58) **Field of Classification Search**

USPC ..... D14/143, 189, 203.2–203.7, 217, 238.1,  
D14/240, 248, 250, 251–253, 440, 447,  
D14/496; 103, 107–108, 119; D3/201,  
D3/218, 247, 269, 273, 301, 303

CPC ..... A45C 1/06; A45C 11/00; A45C 13/02;  
A45C 2011/002; A45F 2005/026; A45F  
2200/0525; A45F 2200/0516; H04B  
1/3888; H04M 1/0283; H04M 1/0202

See application file for complete search history.

(56) **References Cited**

**U.S. PATENT DOCUMENTS**

D613,761 S \* 4/2010 Jones ..... D14/203.3  
D613,762 S \* 4/2010 Jones ..... D14/203.3

(Continued)

**OTHER PUBLICATIONS**

<https://www.amazon.com/Spigen-Gunmetal-EXTREME-Protection-Samsung/dp/B0013UWDV8/>—Available as early as Mar. 9, 2014.\*

(Continued)

*Primary Examiner* — Manpreet Matharu

*Assistant Examiner* — Mojtaba Tehrani

(74) *Attorney, Agent, or Firm* — East West Law Group;  
Heedong Chae

(57) **CLAIM**

The ornamental design for a case for electronic device, as shown and described.

**DESCRIPTION**

FIG. 1 is a front perspective view of a case for electronic device showing my new design;

FIG. 2 is a rear perspective view thereof;

FIG. 3 is a front elevational view thereof;

FIG. 4 is a rear elevational view thereof;

FIG. 5 is a left side elevational view thereof;

FIG. 6 is a right side elevational view thereof;

FIG. 7 is a top plan view thereof;

FIG. 8 is a bottom plan view thereof;

FIG. 9 is a rear perspective view thereof with a support leg extended;

FIG. 10 is an exploded rear perspective view thereof;

FIG. 11 is a front perspective view of the inner shell of the case;

FIG. 12 is a rear perspective view of the inner shell of the case;

FIG. 13 is a front perspective view of the support leg of the case;

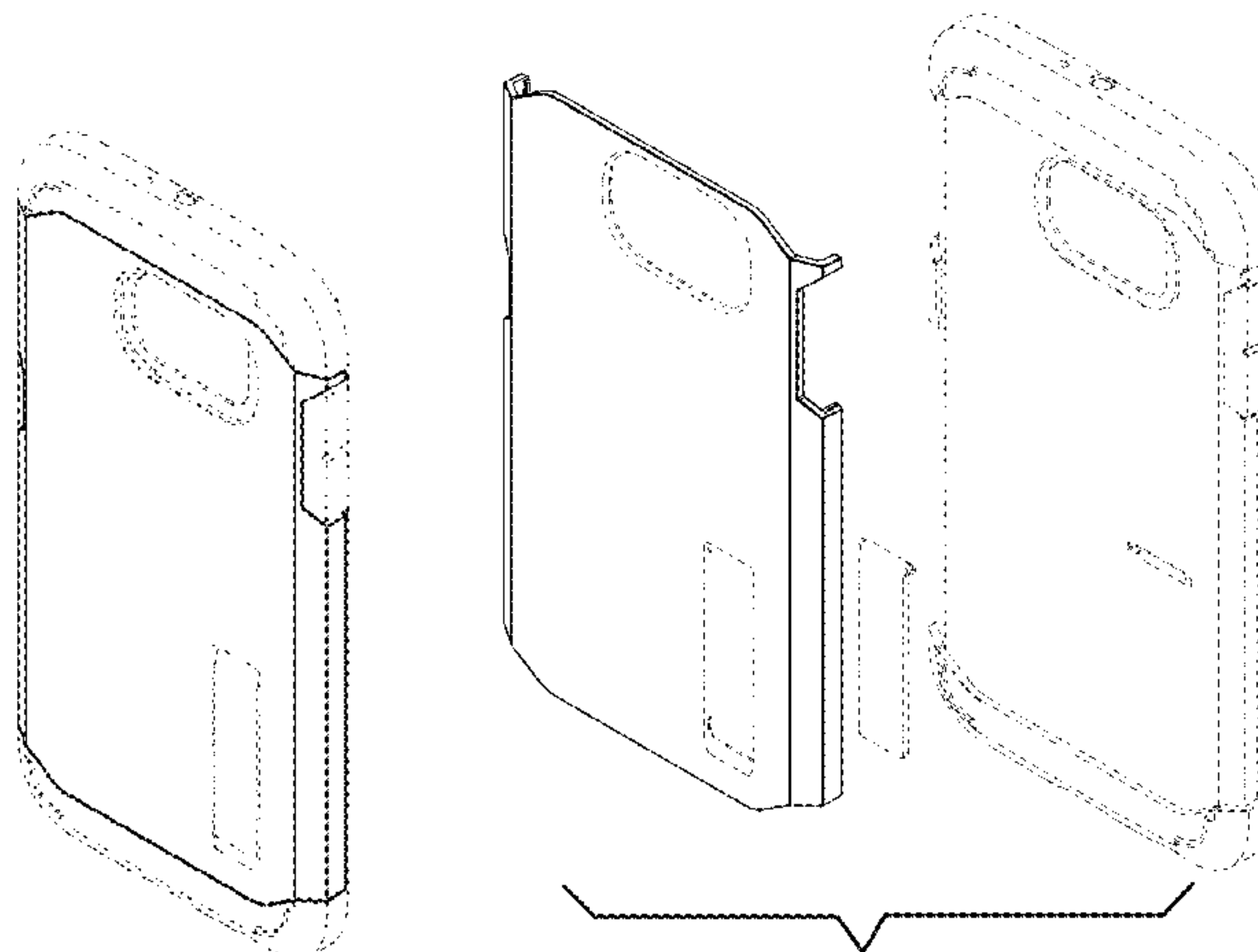
FIG. 14 is a rear perspective view of the support leg of the case;

FIG. 15 is a front perspective view of the outer frame of the case; and,

FIG. 16 is a rear perspective view of the outer frame of the case.

The broken line in the figure drawings represents unclaimed environment only and forms no part of the claimed design.

**1 Claim, 16 Drawing Sheets**



(56)

References Cited

U.S. PATENT DOCUMENTS

D613,763 S \* 4/2010 Jones ..... D14/203.3  
 D614,668 S \* 4/2010 Jones ..... D14/203.7  
 D619,361 S 7/2010 Andre  
 D646,265 S 10/2011 Fathollahi  
 D676,035 S 2/2013 Chang  
 D681,615 S 5/2013 Fathollahi  
 8,517,172 B1 8/2013 Chang  
 8,706,176 B1 4/2014 Jia  
 D706,254 S 6/2014 Chang  
 D709,871 S 7/2014 Lee  
 D721,071 S \* 1/2015 Nelson ..... D14/250  
 9,049,283 B1 \* 6/2015 Kim ..... H04M 1/21  
 D749,068 S 2/2016 Zaborski  
 D749,535 S 2/2016 Joung  
 D753,099 S \* 4/2016 Kim ..... D14/250  
 D755,764 S 5/2016 Dong  
 D755,772 S 5/2016 Sasaki  
 D756,339 S 5/2016 Tussy  
 D756,340 S \* 5/2016 Babichenko ..... D14/250  
 D756,343 S 5/2016 Wall et al.  
 D756,909 S 5/2016 Gupta  
 D756,977 S \* 5/2016 Schriefer ..... D14/250  
 D756,978 S 5/2016 Addonisio  
 D756,980 S 5/2016 Beeman  
 D757,703 S 5/2016 Kanazawa  
 D759,641 S 6/2016 Lai et al.  
 D762,633 S \* 8/2016 Fife ..... D14/250  
 D765,635 S \* 9/2016 Chang ..... D14/250

D765,638 S \* 9/2016 Gaylord ..... D14/250  
 D765,640 S \* 9/2016 Bulkley ..... D14/250  
 2011/0050606 A1 3/2011 Zhang

OTHER PUBLICATIONS

<http://www.spigen.com/collections/galaxy-s6/products/galaxy-s6-case-tough-armor?variant=1160710157>—Earliest review date of May 12, 2015.  
<http://www.spigen.com/collections/galaxy-s7/products/galaxy-s7-case-tough-armor-1?variant=12163553089>—Product review date of Mar. 8, 2016.  
[http://www.amazon.com/Spigen%C2%AE-Gunmetal-EXTREME-Protection-Protective/dp/B01A7IDNWQ/ref=pd\\_sim\\_107\\_5?ie=UTF8&dpID=41hl9zQzsuL&dpSrc=sim&preST=\\_AC\\_UL160\\_SR160%2C160\\_&refRID=0YMXPY3N34F4SHH1NNT](http://www.amazon.com/Spigen%C2%AE-Gunmetal-EXTREME-Protection-Protective/dp/B01A7IDNWQ/ref=pd_sim_107_5?ie=UTF8&dpID=41hl9zQzsuL&dpSrc=sim&preST=_AC_UL160_SR160%2C160_&refRID=0YMXPY3N34F4SHH1NNT)—Earliest review date of Feb. 17, 2016.  
<http://www.spigen.com/collections/galaxy-s7/products/galaxy-s7-case-tough-armor-1?variant=1216355308>—Product review date of Mar. 8, 2016.  
[http://www.amazon.com/Spigen%C2%AE-Gunmetal-EXTREME-Protection-Protective/dp/B01A7IDNWQ/ref=pd\\_sim\\_107\\_5?ie=UTF8&dpID=41hi9zQzsuL&dpSrc=sim&preST=\\_AC\\_UL160\\_SR160%2C160\\_&refRID=0YMXPY3N34F4SHH1NNT](http://www.amazon.com/Spigen%C2%AE-Gunmetal-EXTREME-Protection-Protective/dp/B01A7IDNWQ/ref=pd_sim_107_5?ie=UTF8&dpID=41hi9zQzsuL&dpSrc=sim&preST=_AC_UL160_SR160%2C160_&refRID=0YMXPY3N34F4SHH1NNT)—Earliest review date of Feb. 17, 2016.

\* cited by examiner

FIG. 1

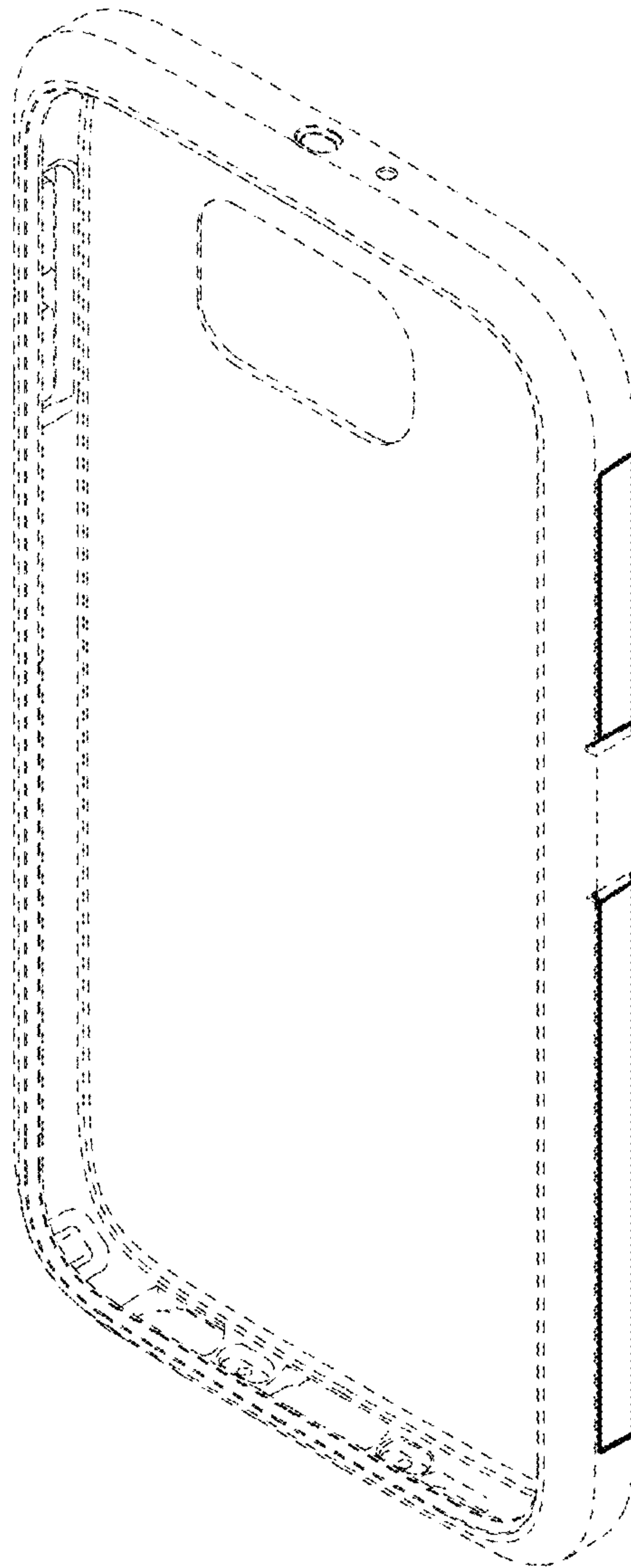


FIG. 2

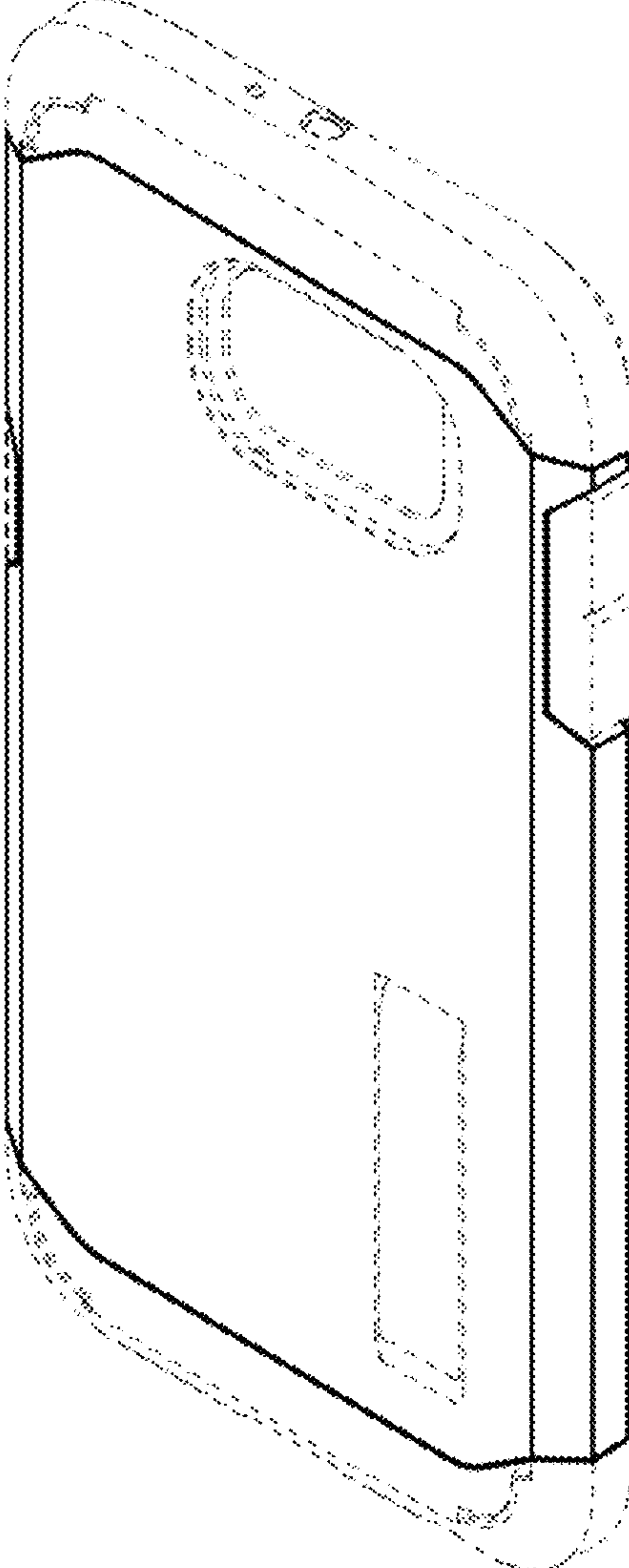


FIG. 3

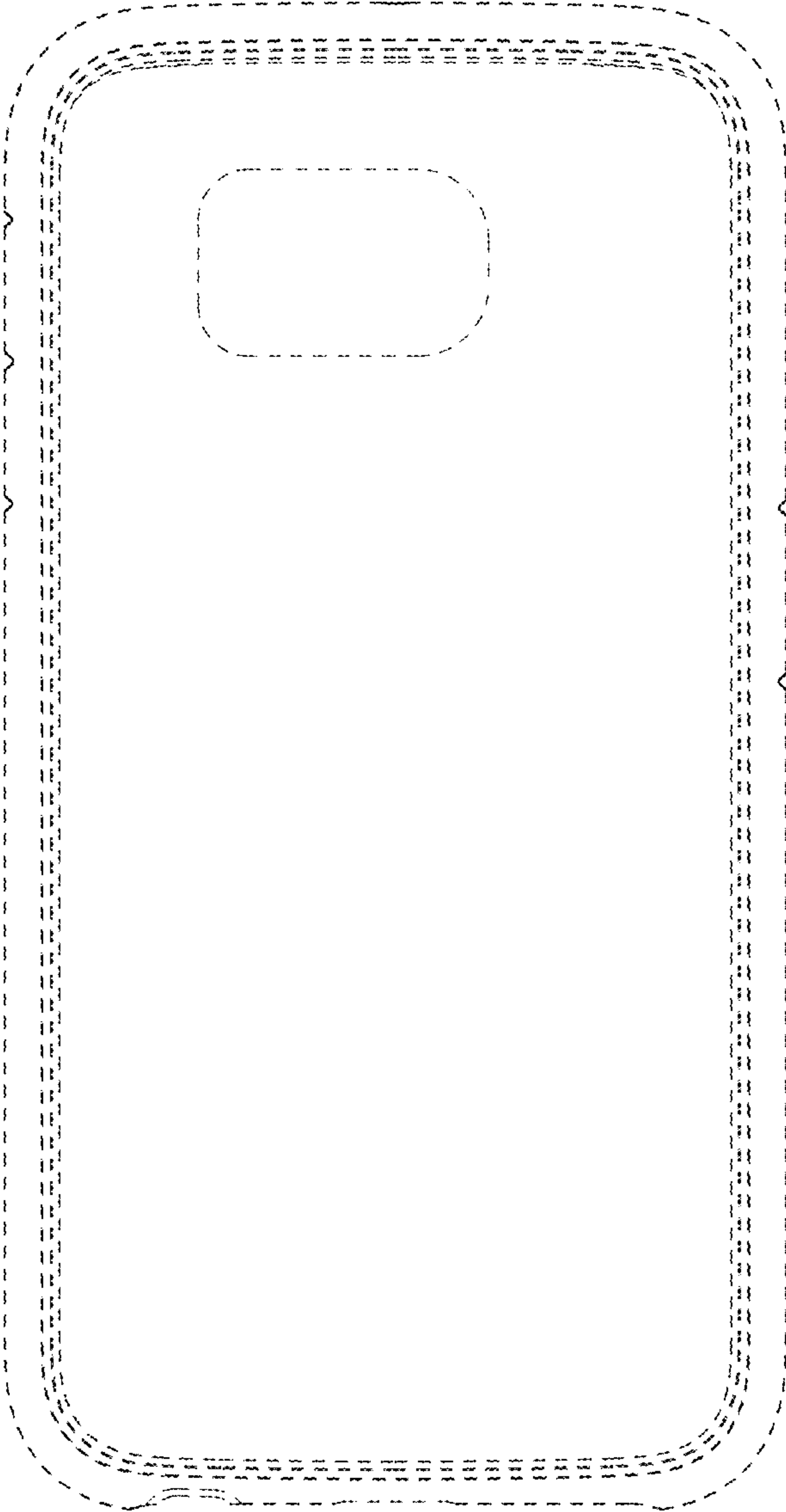




FIG. 4

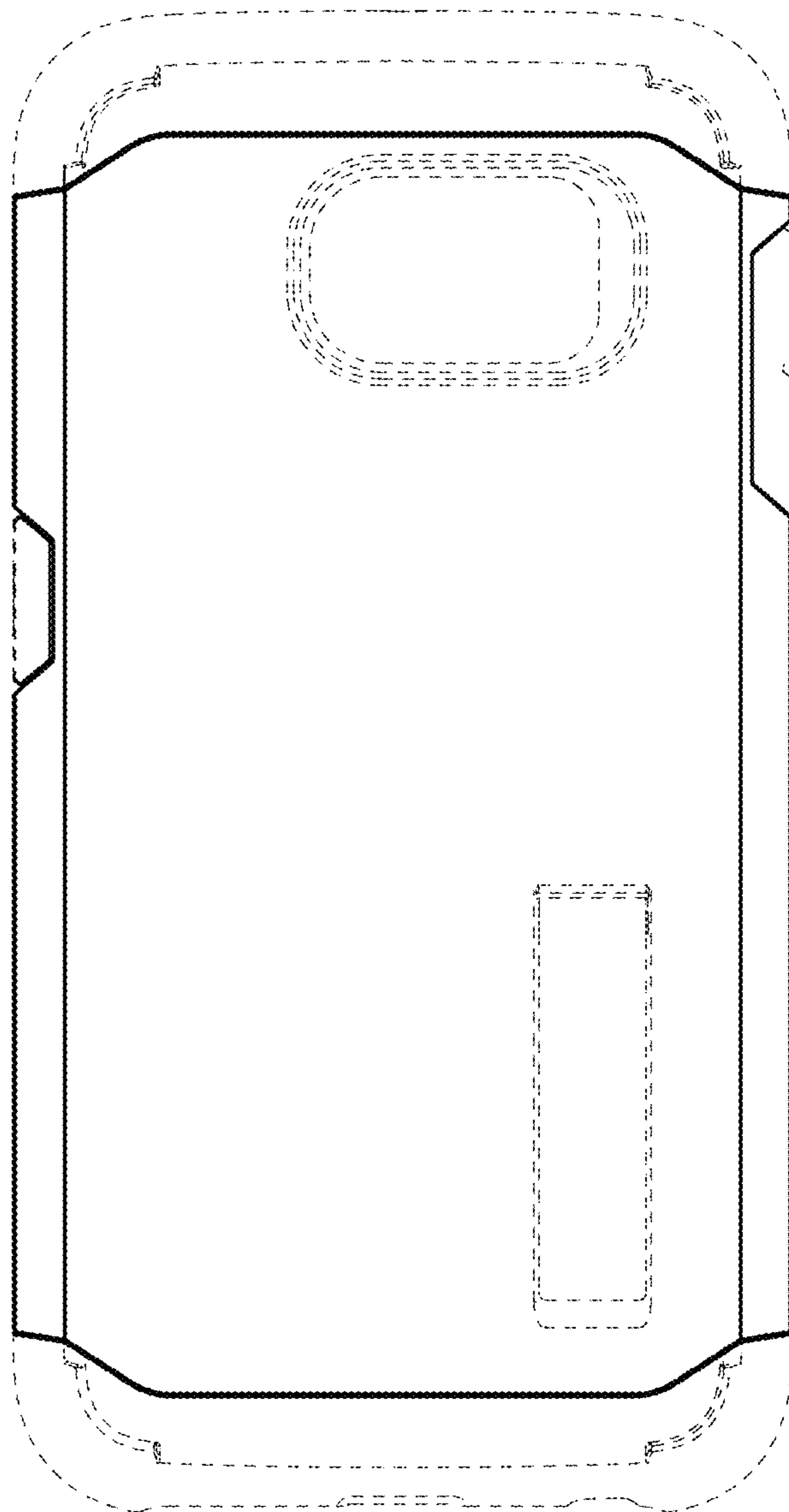


FIG. 5

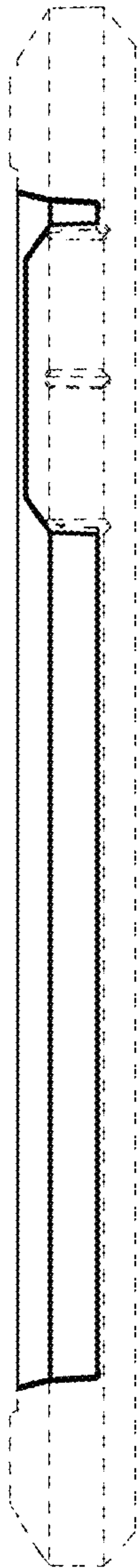


FIG. 6

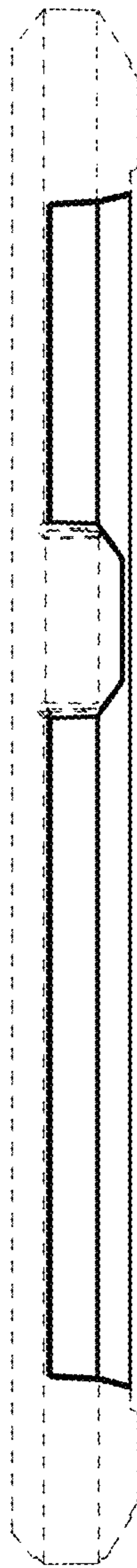




FIG. 7

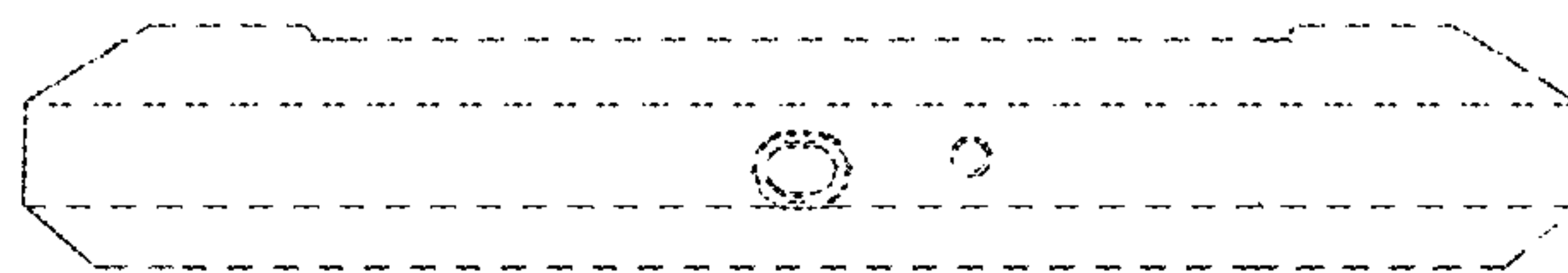


FIG. 8

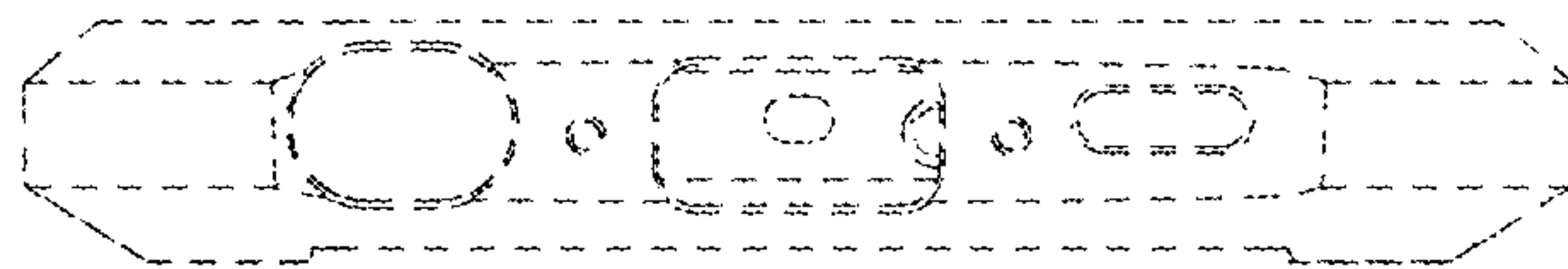


FIG. 9

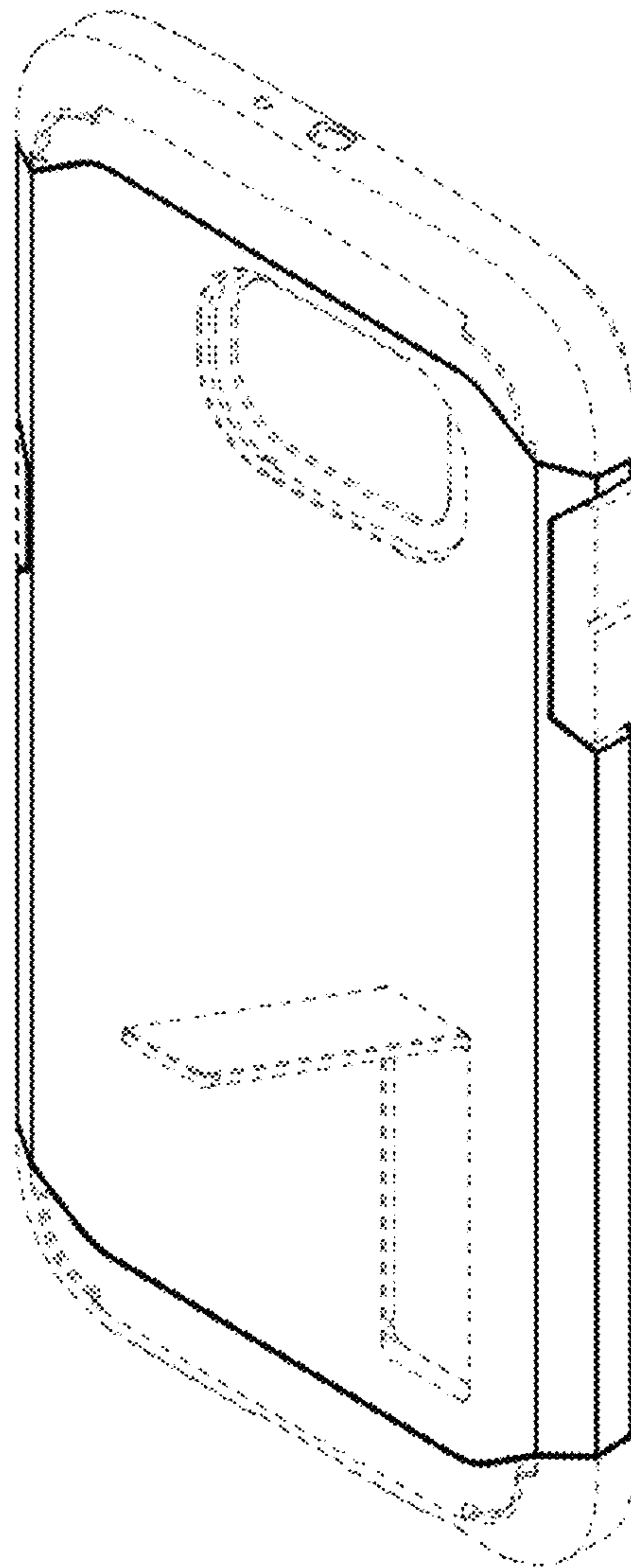


FIG. 10

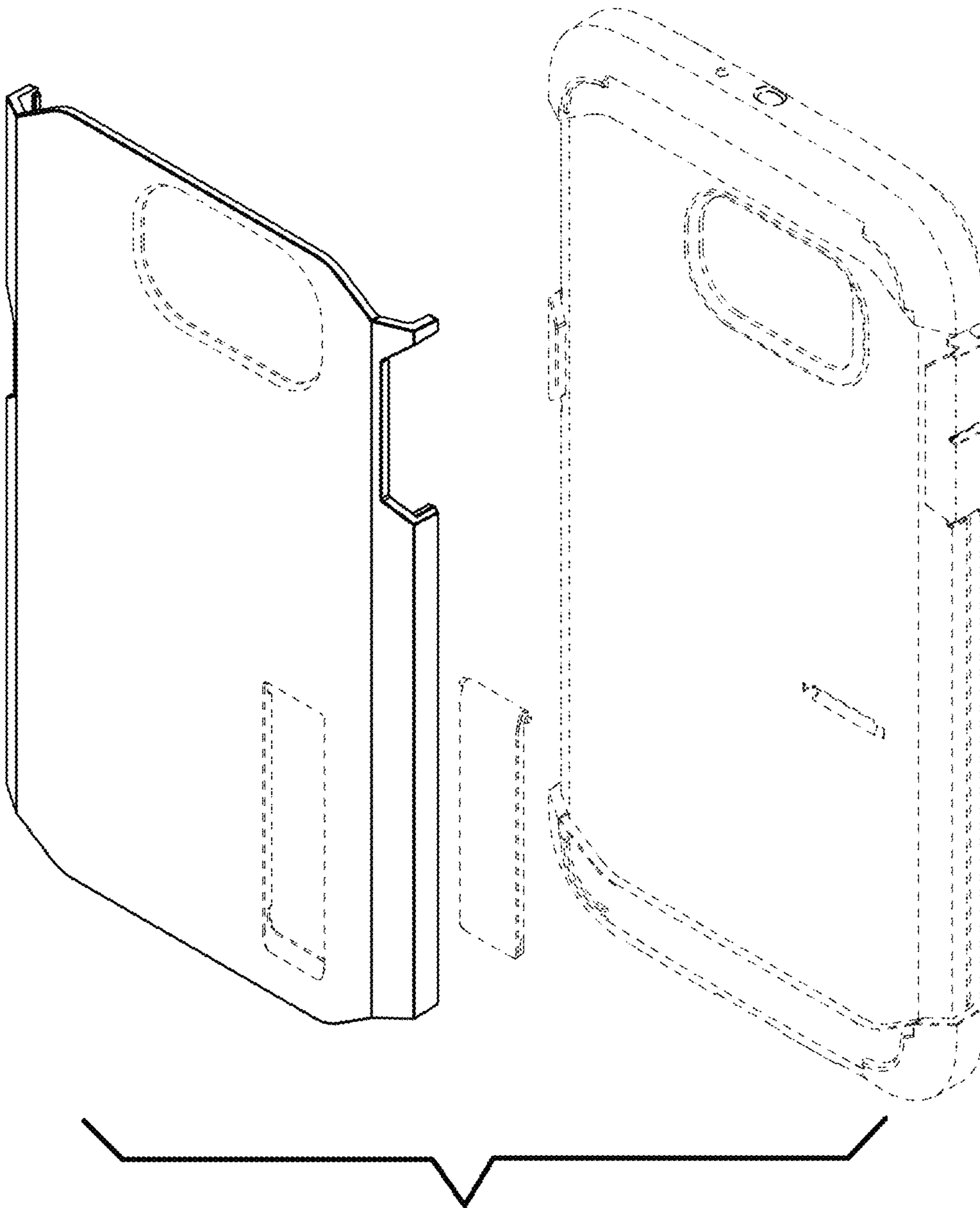


FIG. 11

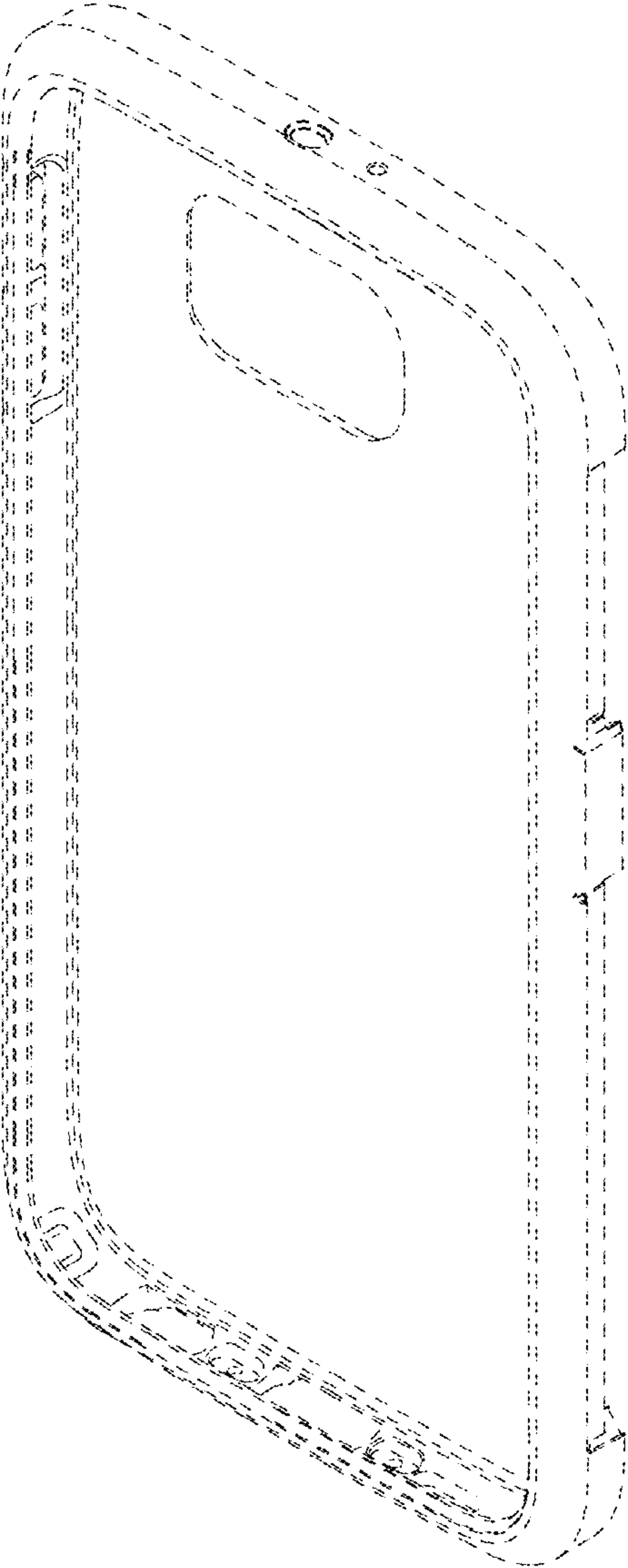


FIG. 12

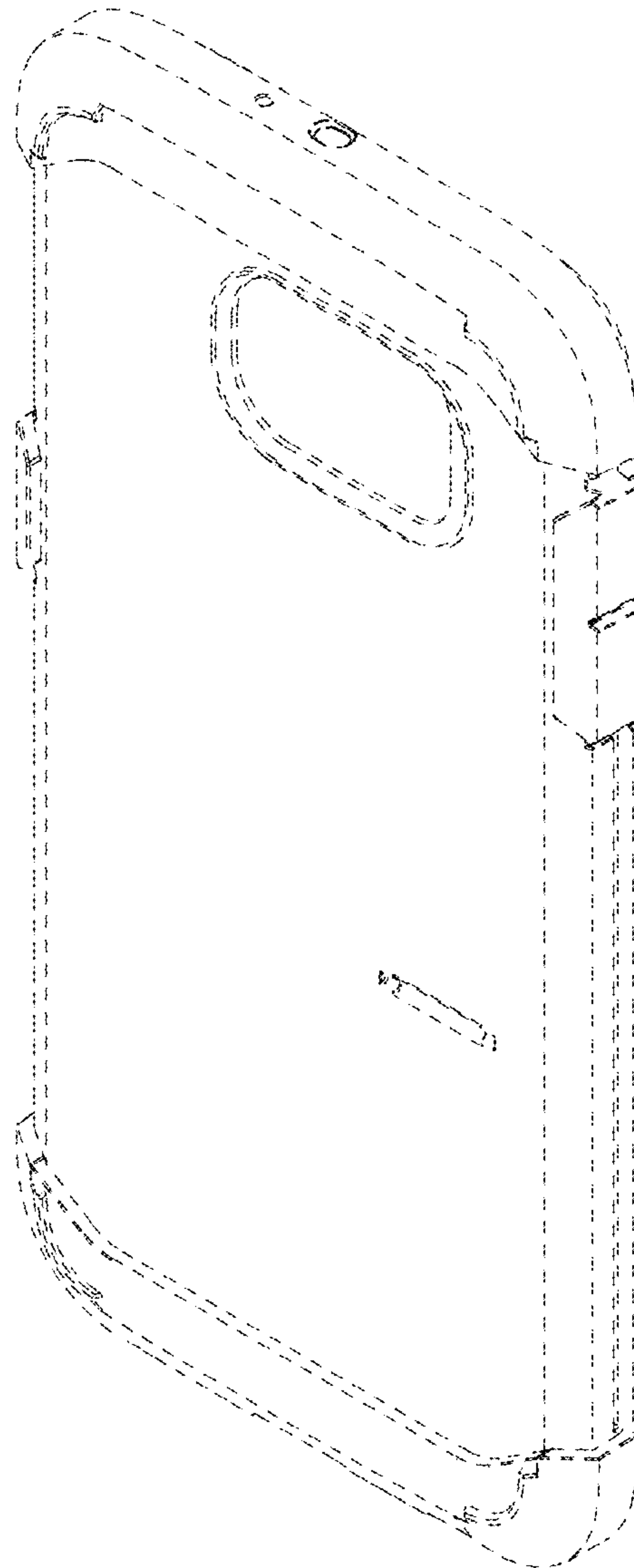




FIG. 13

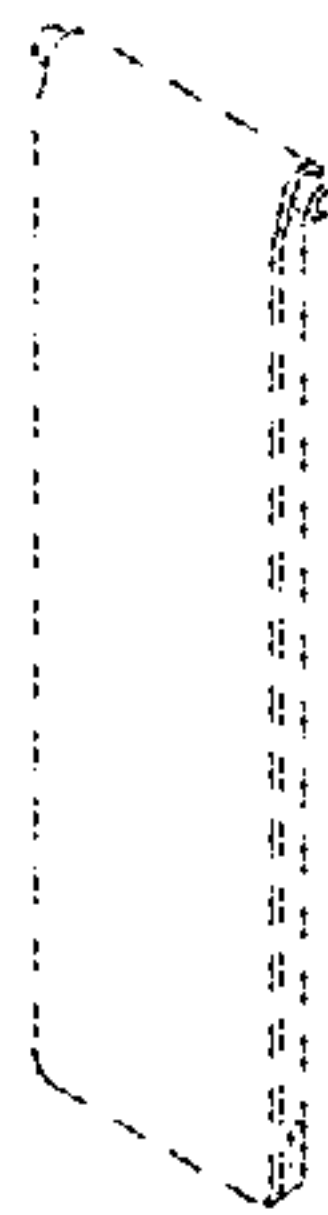


FIG. 14

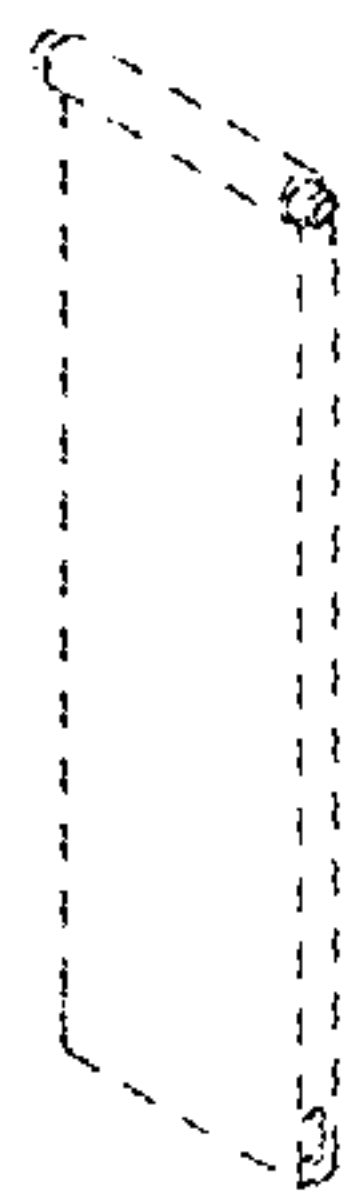


FIG. 15

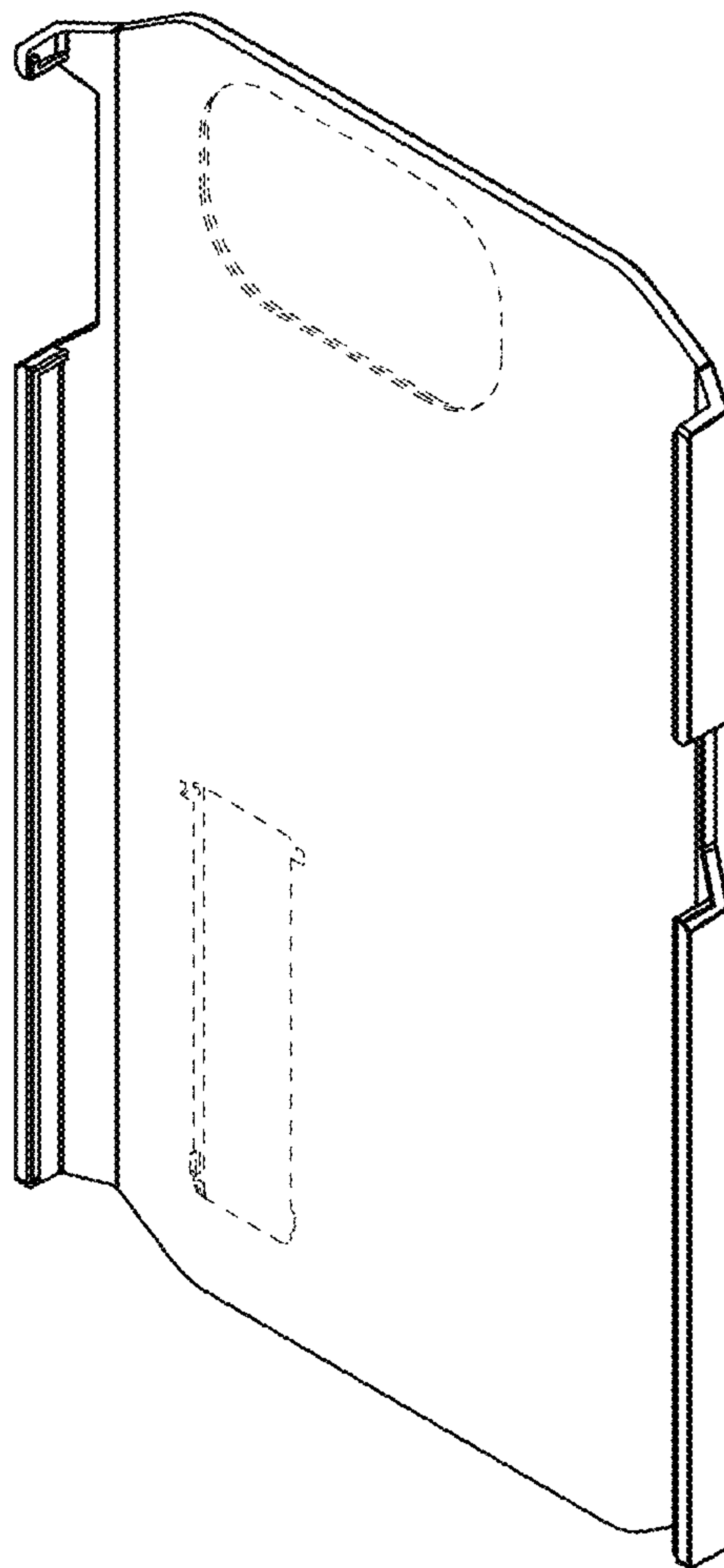


FIG. 16

