



US00D778893S

(12) **United States Design Patent**  
**Fathollahi**

(10) **Patent No.:** **US D778,893 S**

(45) **Date of Patent:** **\*\* Feb. 14, 2017**

(54) **CASE**

(71) Applicant: **INCIPIO, LLC**, Irvine, CA (US)

(72) Inventor: **Andy Fathollahi**, Corona Del Mar, CA (US)

(73) Assignee: **Incipio, LLC**, Irvine, CA (US)

(\*\*) Term: **14 Years**

(21) Appl. No.: **29/501,749**

(22) Filed: **Sep. 8, 2014**

**Related U.S. Application Data**

(62) Division of application No. 29/427,479, filed on Jul. 18, 2012, now Pat. No. Des. 717,773.

(51) **LOC (10) Cl.** ..... **14-03**

(52) **U.S. Cl.**  
USPC ..... **D14/250**

(58) **Field of Classification Search**

USPC ..... D14/138 G, 138 AD, 138 AB, 138 AA,  
D14/203.8, 203.5, 250, 251, 252, 253,  
D14/217, 496, 440, 346, 248, 238.1, 137,  
D14/356; D3/218, 215, 201, 247, 269,  
D3/273, 301, 303; 220/4.02; 361/679.56;  
455/575.1, 575.8; 206/305, 320, 251, 45.2  
CPC ..... H04M 1/185; H04M 1/0283; H04M 1/04;  
H04B 1/3888; A45C 2011/002  
See application file for complete search history.

(56) **References Cited**

**U.S. PATENT DOCUMENTS**

D250,974 S 1/1979 Donley et al.  
D337,435 S 7/1993 Kaneko et al.  
D354,620 S 1/1995 King et al.  
D373,762 S 9/1996 Samborsky  
5,755,367 A 5/1998 Yamada  
D437,855 S 2/2001 Sanders  
D442,398 S 5/2001 Waisbrod  
D499,546 S 12/2004 Smithers

D503,532 S 4/2005 Andre et al.  
D543,541 S 5/2007 Chung et al.  
D559,826 S 1/2008 Lee  
D562,794 S 2/2008 Kim et al.  
D565,290 S 4/2008 Brandenburg et al.  
D575,056 S 8/2008 Tan  
D586,851 S 2/2009 Lapsker  
D589,486 S 3/2009 He  
D591,262 S 4/2009 Ko et al.  
D591,753 S 5/2009 Nakano et al.  
D593,319 S 6/2009 Richardson et al.

(Continued)

**OTHER PUBLICATIONS**

Incipio Edge Pro for iPhone 5, a Gear Diary Video Look. Gear Diary. YouTube.com. Dec. 23, 2013. <<https://www.youtube.com/watch?y=JcYjTK5xmNg>>.\*

(Continued)

*Primary Examiner* — Barbara Fox  
*Assistant Examiner* — Lilyana Bekic  
(74) *Attorney, Agent, or Firm* — Manatt, Phelps & Phillips, LLP

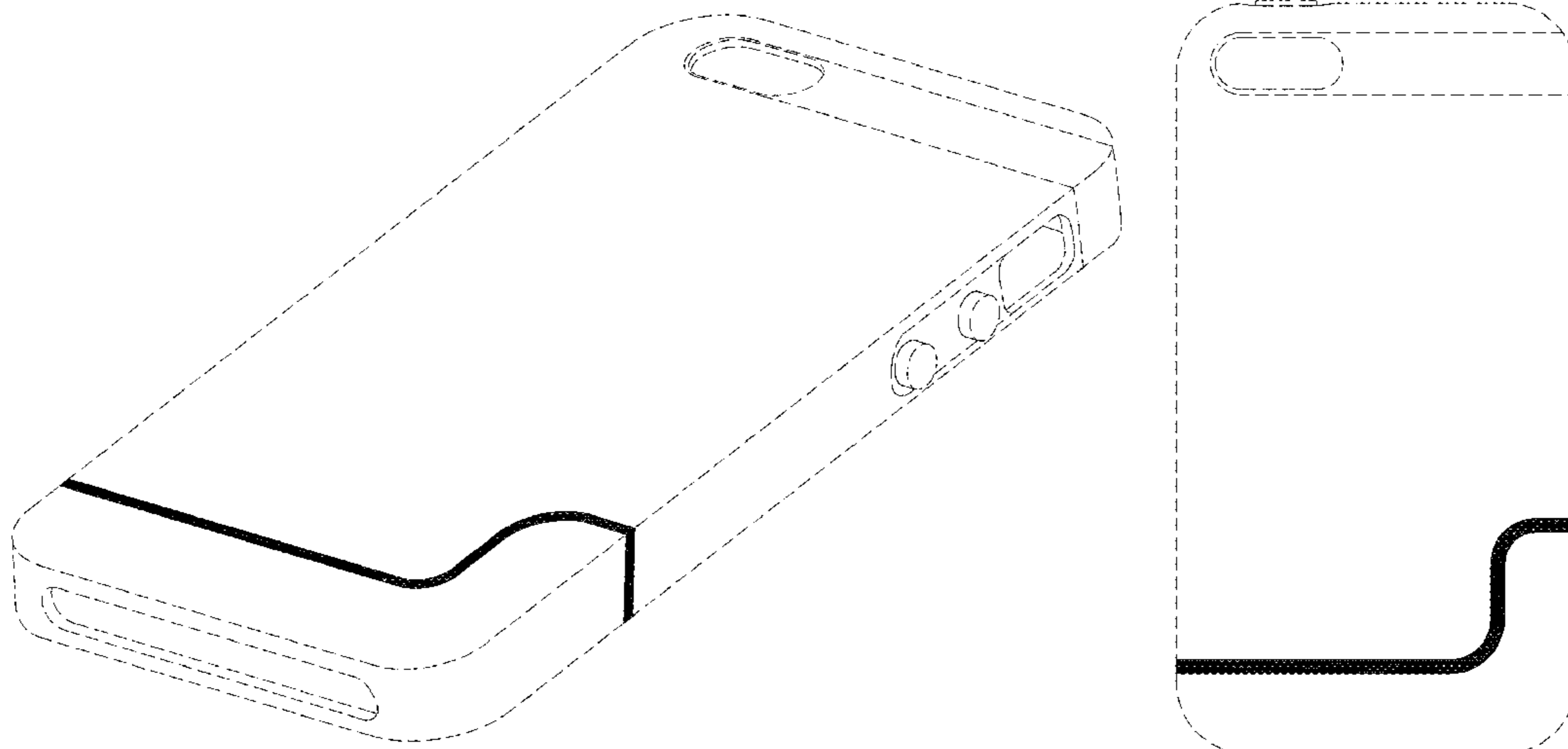
(57) **CLAIM**

I claim the ornamental design for a case, as shown and described.

**DESCRIPTION**

FIG. 1 is a front perspective view of a case showing the new design;  
FIG. 2 is a rear perspective thereof;  
FIG. 3 is a front view thereof;  
FIG. 4 is a rear view thereof;  
FIG. 5 is a left side view thereof;  
FIG. 6 is a right side view thereof;  
FIG. 7 is a top end view thereof; and,  
FIG. 8 is a bottom end view thereof.  
The broken lines having a dash-dash configuration illustrate portions of the case that form no part of the claimed design.

**1 Claim, 5 Drawing Sheets**



(56)

References Cited

U.S. PATENT DOCUMENTS

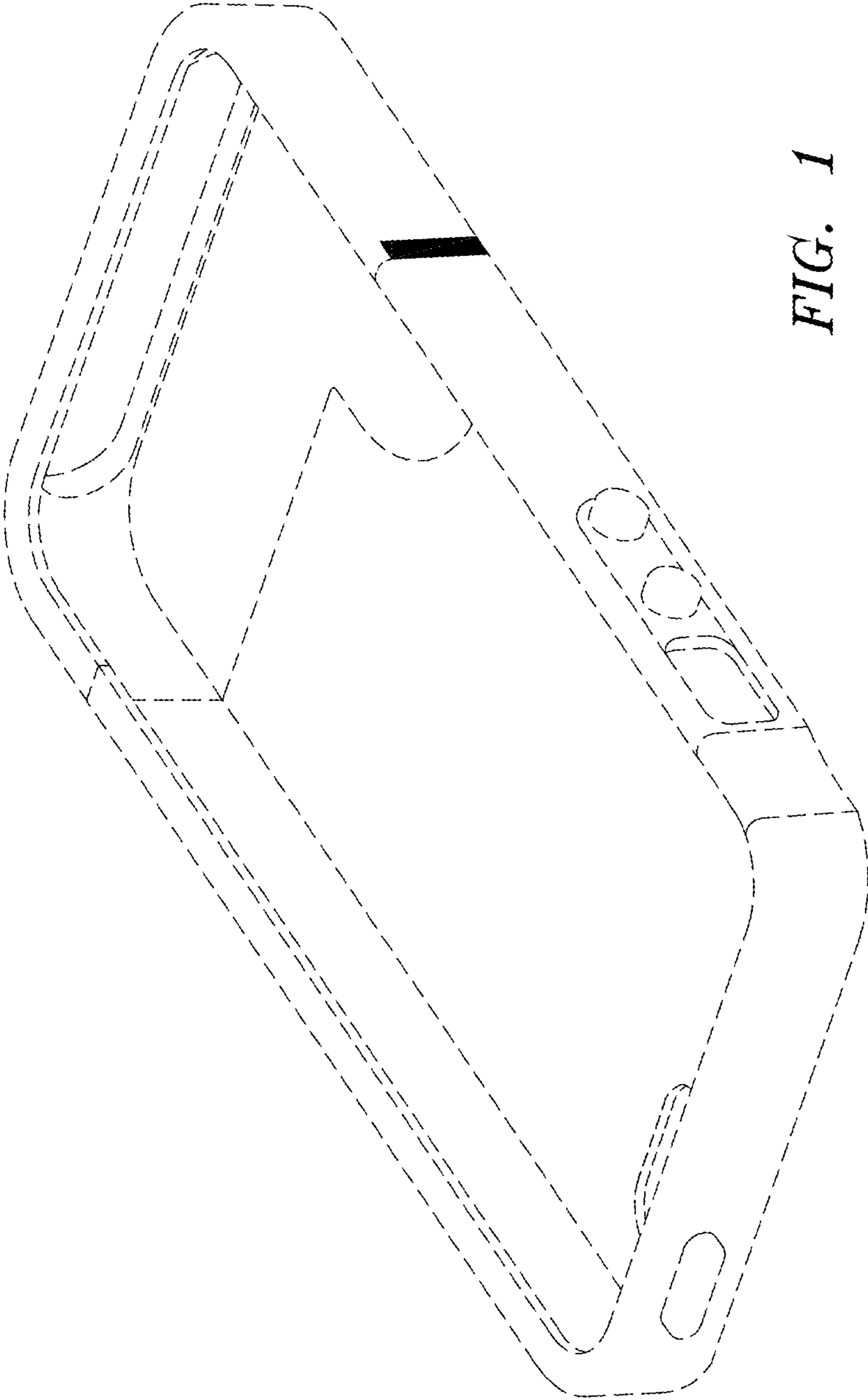
D597,089 S 7/2009 Khan et al.  
 D598,407 S 8/2009 Richardson et al.  
 D603,603 S 11/2009 Laine et al.  
 D609,463 S 2/2010 Bullen  
 D609,464 S 2/2010 Bullen  
 D609,900 S 2/2010 Behar et al.  
 7,660,053 B2 2/2010 Naitou  
 D610,807 S 3/2010 Bau  
 D616,361 S 5/2010 Huang  
 D623,640 S 9/2010 Freeman  
 7,789,228 B2 9/2010 Zenzai  
 7,807,253 B2 10/2010 Kannankeril  
 D632,686 S 2/2011 Magness et al.  
 D634,313 S 3/2011 Fitzpatrick et al.  
 7,949,242 B2 5/2011 Yang et al.  
 D641,014 S 7/2011 Smith et al.  
 D641,756 S 7/2011 Hsieh et al.  
 D641,974 S 7/2011 Stampfli  
 8,008,591 B2 8/2011 Shi et al.  
 D645,441 S 9/2011 Choe et al.  
 D647,519 S 10/2011 Rothbaum et al.  
 D651,204 S \* 12/2011 Wibby ..... D14/250  
 D652,031 S 1/2012 Fahrendorff et al.  
 D653,202 S 1/2012 Hasbrook et al.  
 D654,068 S 2/2012 Monaco et al.  
 D654,069 S 2/2012 Kwon et al.  
 D658,165 S 4/2012 Freeman  
 D663,263 S 7/2012 Gupta et al.  
 D665,735 S 8/2012 Kang et al.  
 D685,776 S 7/2013 Bau  
 D700,598 S 3/2014 Kim  
 D703,646 S \* 4/2014 Fathollahi ..... D14/250  
 D707,215 S \* 6/2014 Weller ..... D14/250

D717,773 S \* 11/2014 Fathollahi ..... D14/250  
 D720,733 S \* 1/2015 Fathollahi ..... D14/250  
 D733,149 S \* 6/2015 Dahlberg ..... D14/440  
 D735,207 S \* 7/2015 Dahlberg ..... D14/440  
 D745,866 S \* 12/2015 Adelman ..... D14/250  
 D749,594 S \* 2/2016 Kim ..... D14/440  
 D756,343 S \* 5/2016 Wall ..... D14/250  
 D763,840 S \* 8/2016 Hwang ..... D14/250  
 2011/0036876 A1 2/2011 Fathollahi  
 2014/0194167 A1\* 7/2014 Grimes ..... H04M 1/0283  
 455/575.1  
 2015/0122853 A1\* 5/2015 Kennard ..... A45C 11/00  
 224/191  
 2015/0180527 A1\* 6/2015 Fathollahi ..... H04B 1/3888  
 455/575.8  
 2015/0241921 A1\* 8/2015 Gu ..... H04M 1/0202  
 361/679.56  
 2016/0116948 A1\* 4/2016 Ou ..... G06F 1/1698  
 361/679.56

OTHER PUBLICATIONS

Incipio Focal Camera Case compatible with iPhone 5s, White. Newegg.com. Date accessed: May 6, 2016. <<https://www.youtube.com/watch?v=JcYjTK5xmNg>>.\*  
 Van Der Beek, Ronald. Royalty Free Stock Images: Retro lines background. Dreamstime.com. Date accessed: May 6, 2016. <<http://www.dreamstime.com/royalty-free-stock-images-retro-lines-background-image7680089>>.\*  
 Trendy Geometric Lines Design Tutorial. Blog.Spoon Graphics. Jun. 19, 2008. <<http://blog.spoongraphics.co.uk/tutorials/trendy-geometric-lines-design-tutorial>>.\*

\* cited by examiner



*FIG. 1*

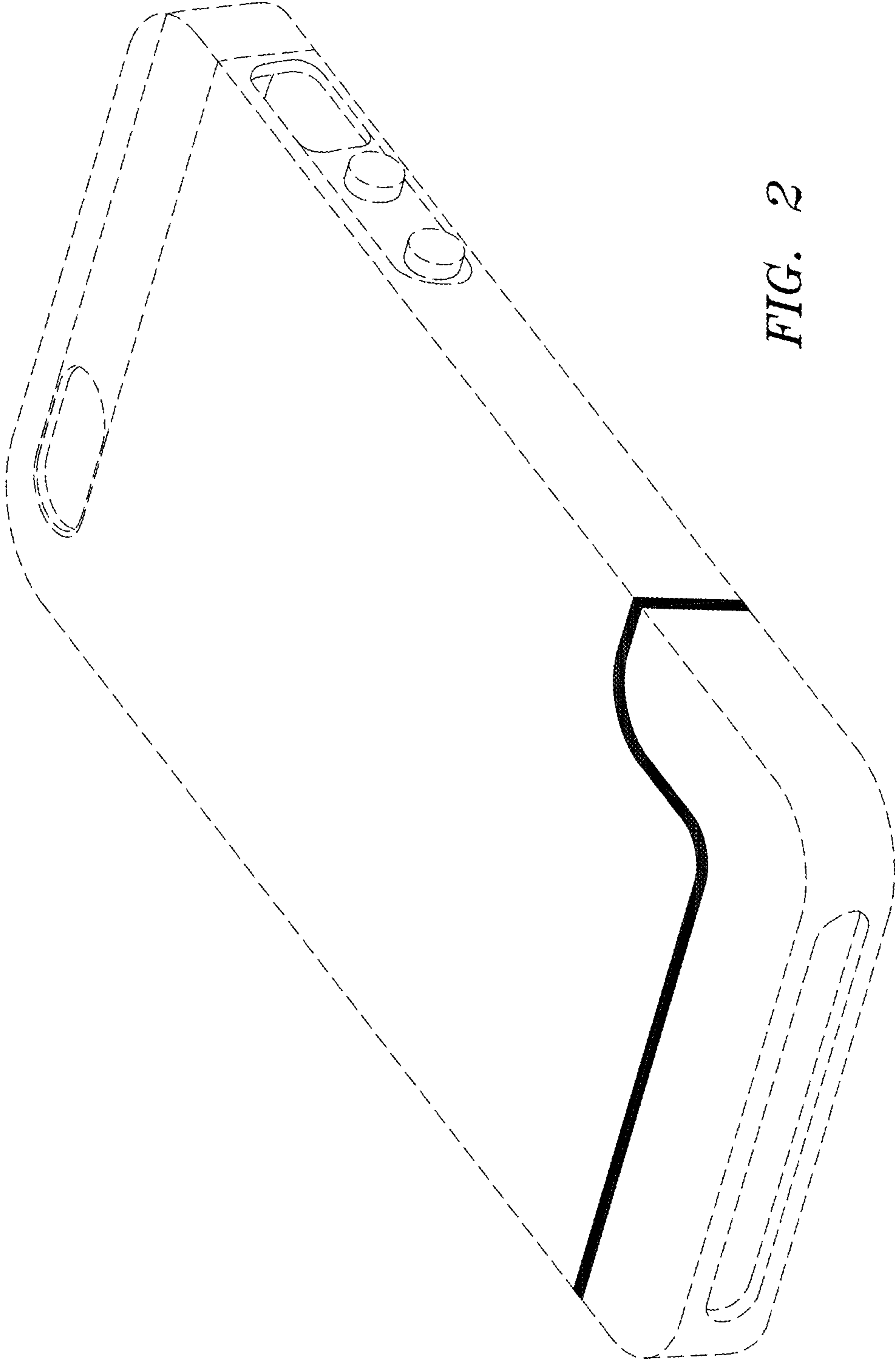


FIG. 2

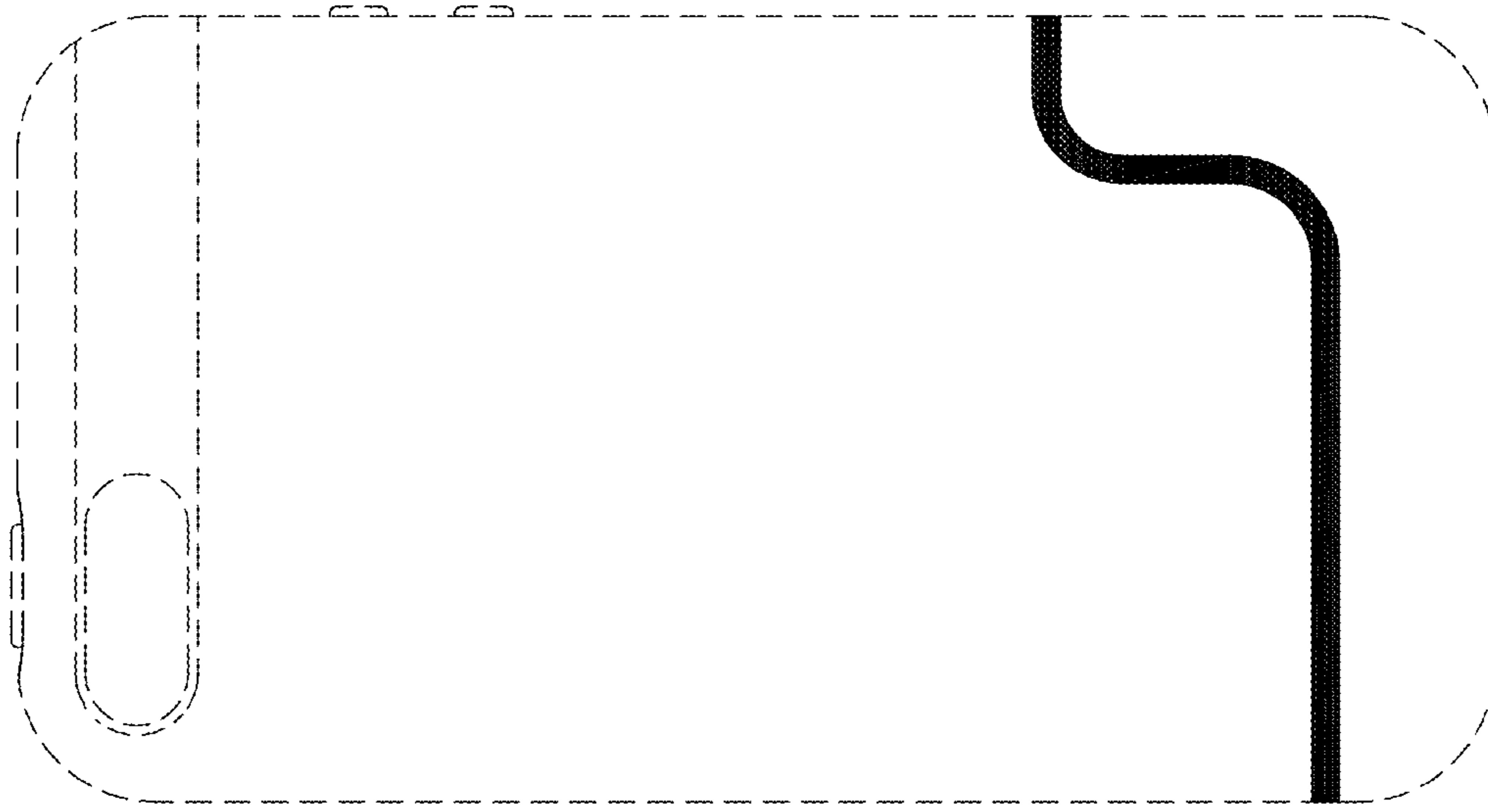


FIG. 4

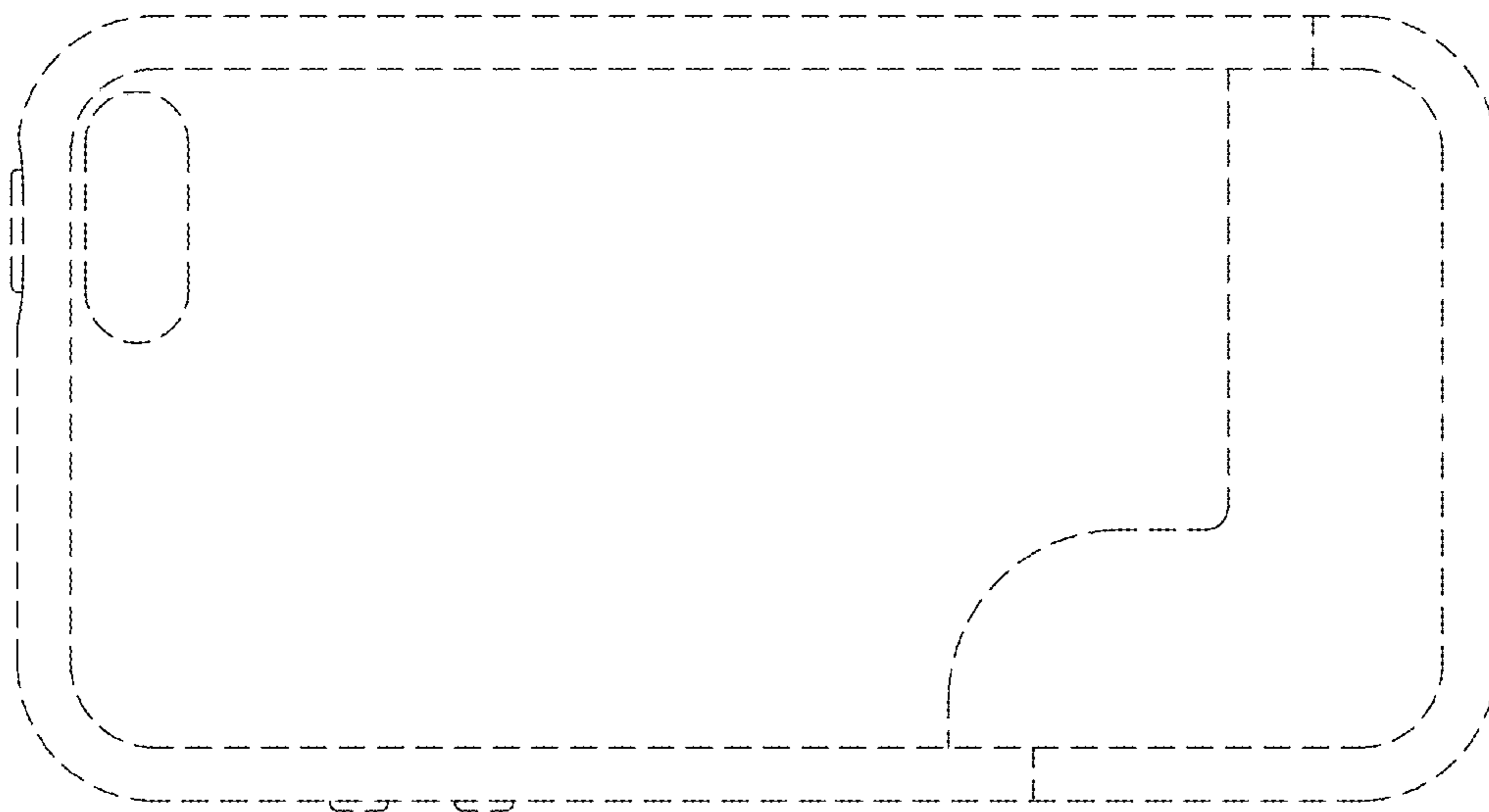
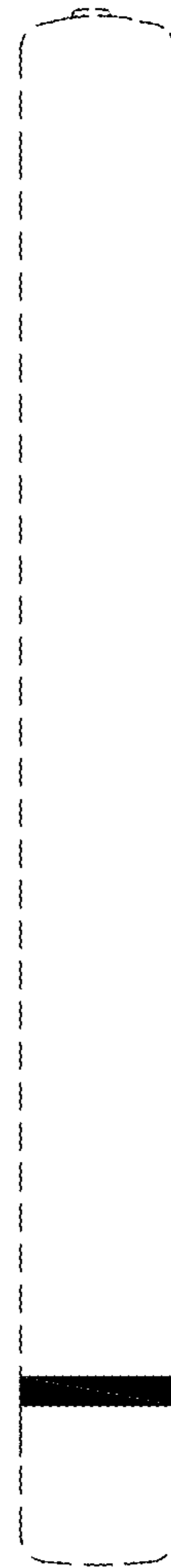


FIG. 3



*FIG. 5*



*FIG. 6*





*FIG. 7*



*FIG. 8*