



US00D778892S

(12) **United States Design Patent** (10) **Patent No.:** **US D778,892 S**
Fathollahi (45) **Date of Patent:** **** Feb. 14, 2017**

(54) **CASE**
(71) Applicant: **INCIPIO, LLC**, Irvine, CA (US)
(72) Inventor: **Andy Fathollahi**, Corona Del Mar, CA (US)
(73) Assignee: **INCIPIO, LLC**, Irvine, CA (US)
(**) Term: **14 Years**
(21) Appl. No.: **29/481,262**
(22) Filed: **Feb. 3, 2014**

D346,275 S 4/1994 Hayasaka et al.
5,386,098 A 1/1995 Knudsen
D371,137 S 6/1996 Kriegh
D387,199 S 12/1997 Nagele et al.
D389,641 S 1/1998 McCutcheon et al.
D392,097 S 3/1998 Pottala et al.
5,755,367 A 5/1998 Yamada
D400,209 S 10/1998 Williams et al.
D406,191 S 3/1999 Phillips et al.
5,992,343 A 11/1999 Drover
D419,290 S 1/2000 Treyer et al.
6,124,783 A 9/2000 Alexander
D434,898 S 12/2000 Jokinen et al.

(Continued)

Related U.S. Application Data

(63) Continuation of application No. 29/453,497, filed on Apr. 30, 2013, now Pat. No. Des. 698,776, which is a continuation of application No. 29/385,458, filed on Feb. 14, 2011, now Pat. No. Des. 681,615.

(51) **LOC (10) Cl.** **14-03**

(52) **U.S. Cl.**
USPC **D14/250**

(58) **Field of Classification Search**
USPC D14/248, 250–253, 440, 203.1–203.7, D14/217–218, 496, 137–138 AA, 138 G, D14/168, 474; D3/201, 218, 269, 301, D3/273, 303, 103, 247; D13/103, 107, D13/108, 119; D6/407; D21/333; 220/4.02; 361/679.56, 679.55, 361/679.01; 379/426, 433.11, 455; 455/575.1, 575.8; 190/100; 206/305, 320; D9/418

See application file for complete search history.

(56) **References Cited**

U.S. PATENT DOCUMENTS

D314,914 S * 2/1991 Callinan D27/186
D318,802 S * 8/1991 Egide D9/418
D320,992 S 10/1991 Jondelius
D337,435 S 7/1993 Kaneko et al.
D339,690 S 9/1993 Takahashi et al.

FOREIGN PATENT DOCUMENTS

WO DM/058570 11/2001

OTHER PUBLICATIONS

Incipio Silicrylic 2007, on sale more than one year prior to filing date.

(Continued)

Primary Examiner — Vy Koenig

(74) *Attorney, Agent, or Firm* — Manatt, Phelps & Phillips, LLP

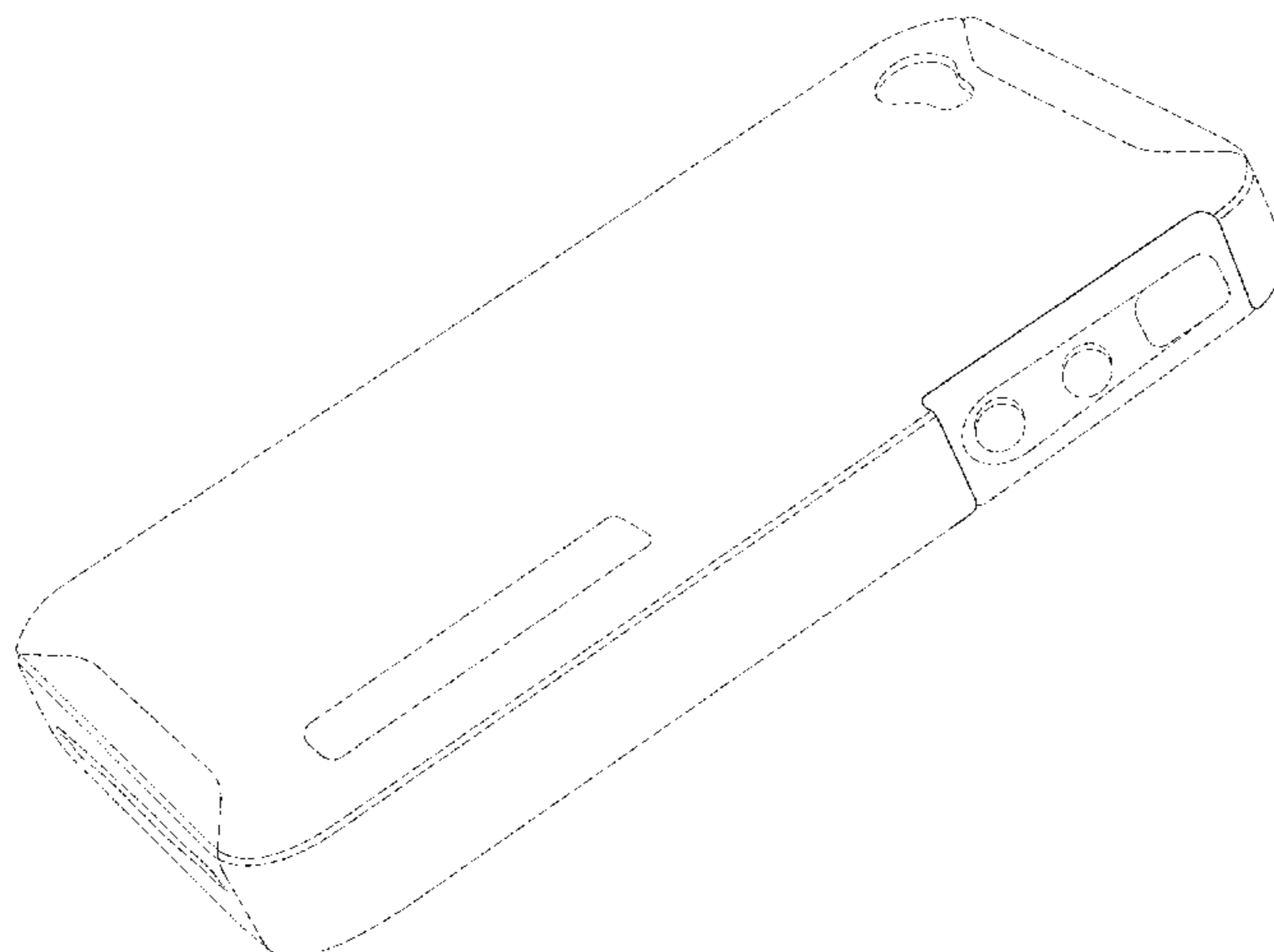
(57) **CLAIM**

The ornamental design for a case, as shown and described.

DESCRIPTION

FIG. 1 is a top end view of a case.
FIG. 2 is a bottom end view thereof.
FIG. 3 is a left side view thereof.
FIG. 4 is a right side view thereof.
FIG. 5 is a front view thereof.
FIG. 6 is a rear view thereof; and,
FIG. 7 is a rear perspective view thereof.
The broken lines in FIGS. 1-7 having a dash-dash configuration depict environmental subject matter and form no part of the claimed design.

1 Claim, 7 Drawing Sheets



(56)

References Cited

U.S. PATENT DOCUMENTS

D462,514 S 9/2002 Rivera et al.
 D466,287 S 12/2002 Tanaka
 D469,438 S 1/2003 Corrales
 D488,062 S * 4/2004 Shannon D9/415
 D495,871 S 9/2004 Moffitt et al.
 D497,804 S * 11/2004 Hetzel D9/418
 D499,546 S 12/2004 Smithers
 6,954,047 B2 10/2005 Neubauer
 D521,232 S 5/2006 Andre et al.
 7,097,233 B2 8/2006 Sogame et al.
 D529,713 S 10/2006 Guyot et al.
 D543,541 S 5/2007 Chung et al.
 D553,352 S 10/2007 Allen
 D561,204 S 2/2008 Toh
 D565,290 S 4/2008 Brandenburg et al.
 D578,129 S 10/2008 Weber
 D587,896 S 3/2009 Aipa
 7,542,052 B2 6/2009 Solomon et al.
 D609,464 S 2/2010 Bullen
 D616,430 S 5/2010 Fathollahi
 D620,931 S 8/2010 Opman
 D624,064 S * 9/2010 Esposito D14/250
 D624,908 S * 10/2010 Huskinson D14/250
 D625,303 S * 10/2010 Kim D14/250
 D628,994 S 12/2010 Griffin et al.
 D632,686 S 2/2011 Magness et al.
 D635,555 S 4/2011 Giles
 D640,679 S 6/2011 Willes et al.
 D643,836 S 8/2011 Smith et al.
 D644,635 S 9/2011 Richardson et al.
 D645,441 S 9/2011 Choe et al.
 8,016,107 B2 9/2011 Emsky
 D646,266 S 10/2011 Kim et al.
 D646,671 S 10/2011 Fathollahi
 D646,673 S 10/2011 Fathollahi
 D647,518 S 10/2011 Fathollahi
 D647,895 S 11/2011 Fathollahi
 D648,301 S 11/2011 Zuffo et al.
 D651,201 S 12/2011 Fathollahi
 D652,031 S 1/2012 Fahrendorff et al.
 D654,069 S 2/2012 Kwon et al.
 8,132,670 B1 3/2012 Chen

D659,139 S 5/2012 Gengler
 D662,503 S 6/2012 Akana et al.
 D663,263 S 7/2012 Gupta et al.
 D665,735 S 8/2012 Kang et al.
 D665,762 S 8/2012 Fujimura et al.
 D665,809 S 8/2012 Wang et al.
 8,245,843 B1 8/2012 Wu
 D673,539 S 1/2013 Magness et al.
 D675,197 S 1/2013 Losiewicz
 D676,845 S 2/2013 Melanson et al.
 D678,871 S 3/2013 Mishan et al.
 D679,695 S 4/2013 Fahrendorff et al.
 D681,615 S 5/2013 Fathollahi
 D681,624 S 5/2013 Chang
 D682,817 S * 5/2013 Murchison et al. D14/250
 D684,567 S 6/2013 Murchison et al.
 D689,852 S 9/2013 Azoulay
 D697,902 S 1/2014 Fathollahi
 D698,776 S 2/2014 Fathollahi
 D721,689 S * 1/2015 Altschul et al. D14/250
 D725,093 S * 3/2015 Sun et al. D14/250
 D728,551 S * 5/2015 Saeki et al. D14/250
 2003/0151890 A1 8/2003 Huang et al.
 2004/0112776 A1 6/2004 Lord
 2005/0242941 A1 11/2005 Chao
 2006/0231713 A1 10/2006 Crain et al.
 2008/0012383 A1 1/2008 Larson
 2008/0251512 A1 10/2008 Griffin et al.
 2008/0316687 A1 12/2008 Richardson et al.
 2010/0051712 A1 3/2010 Lebeck
 2010/0096284 A1 4/2010 Bau
 2010/0147737 A1 6/2010 Richardson et al.
 2010/0289390 A1 11/2010 Kenney
 2011/0036876 A1 2/2011 Fathollahi

OTHER PUBLICATIONS

Otterbox Commuter Series Case for BlackBerry Storm, as shown
 URL:<http://youtube/7ZxkbUSwjlQ>, updated Oct. 1, 2009.
 Incipio Silicrylic for iPhone 3G, shown on Amazon.com product
 page, <http://www.amazon.com/Incipio-SILICRYLIC-Case-iPhone-Clear/dp/B001AV8OD8>, retrieved on Oct. 29, 2012.

* cited by examiner



FIG. 1

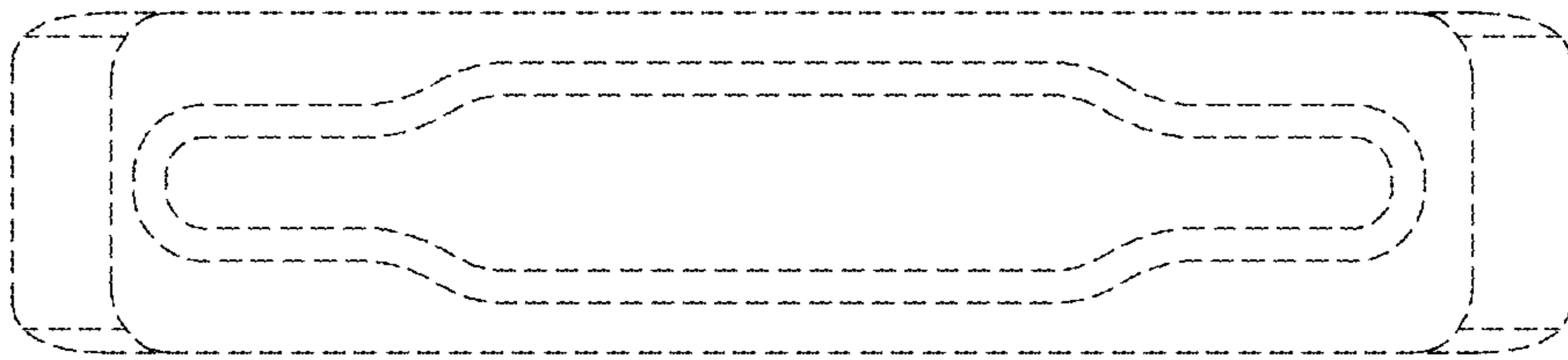


FIG. 2

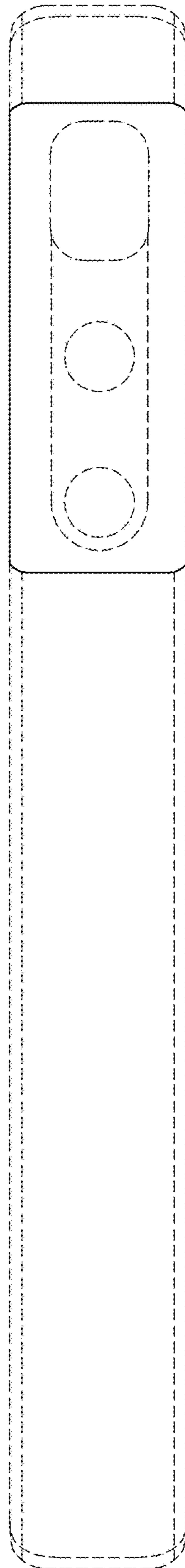


FIG. 3

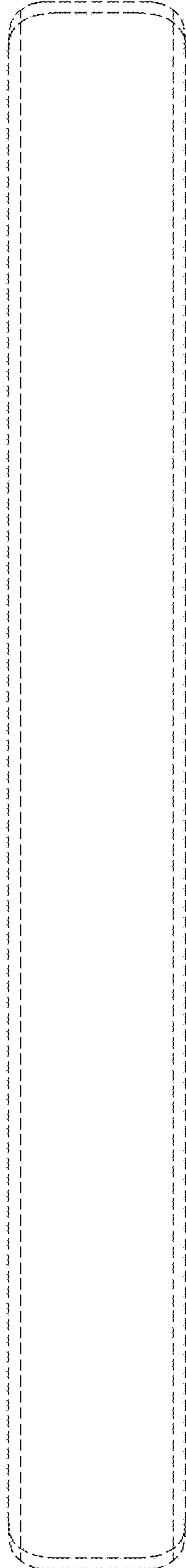


FIG. 4

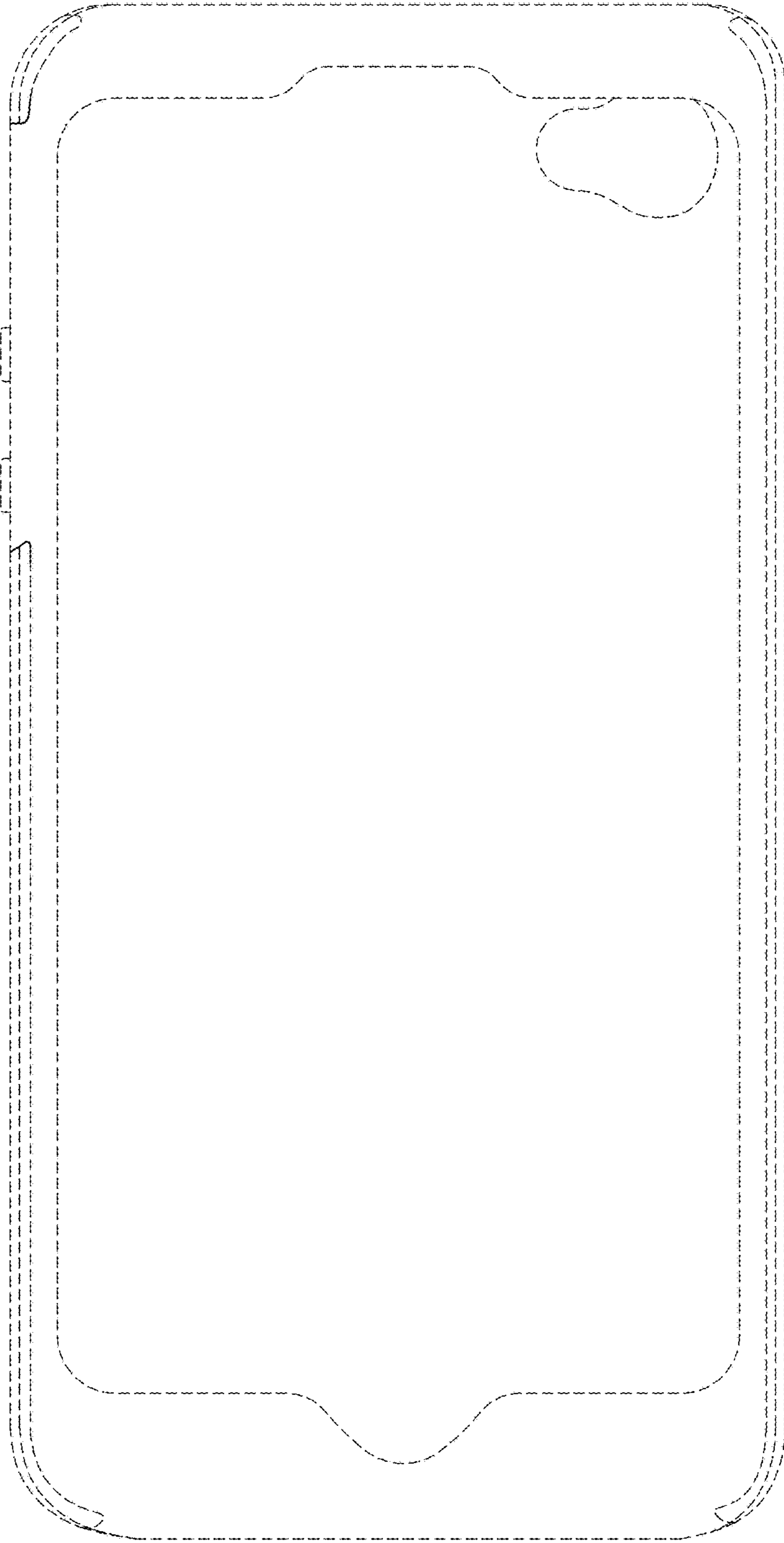


FIG. 5

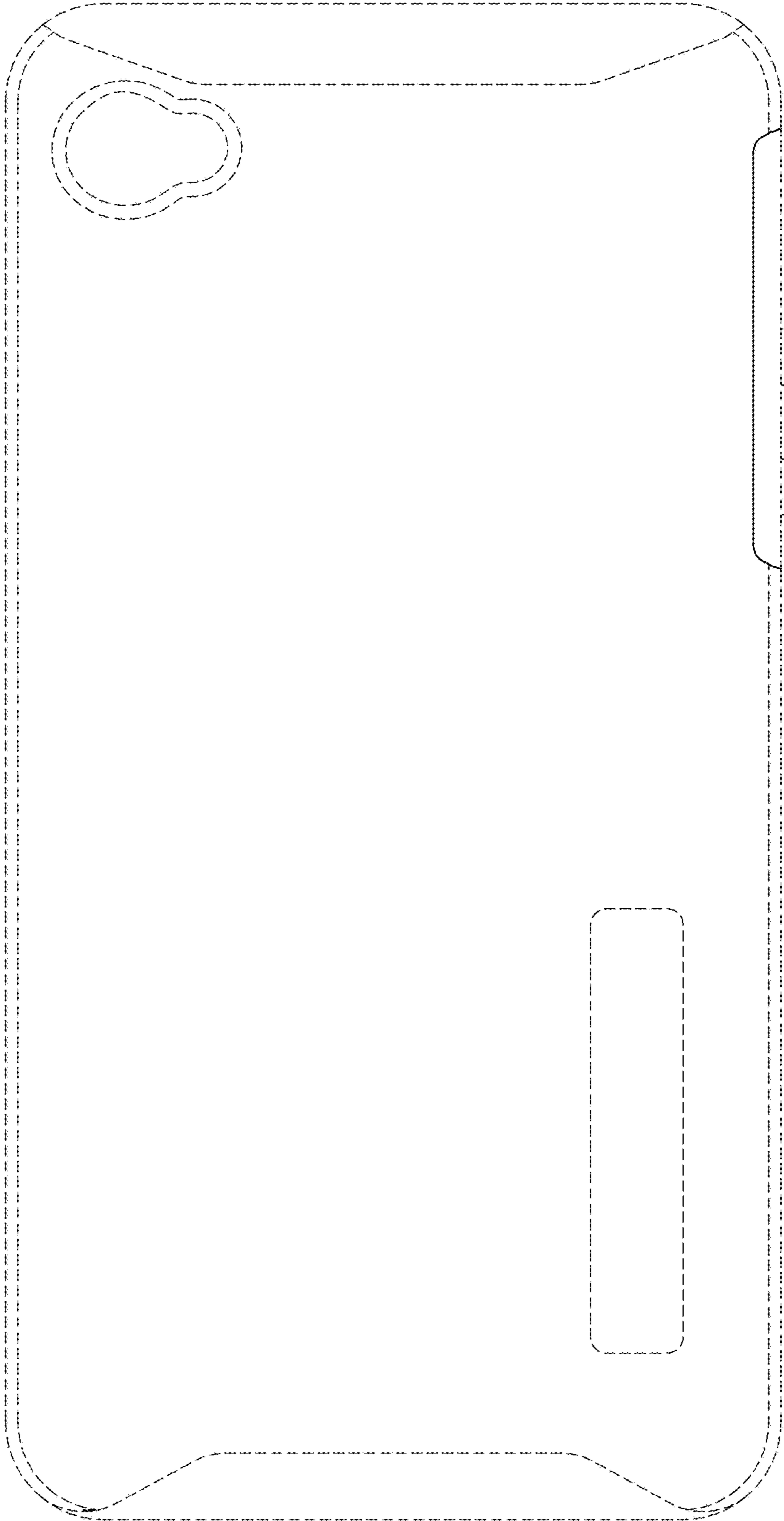


FIG. 6

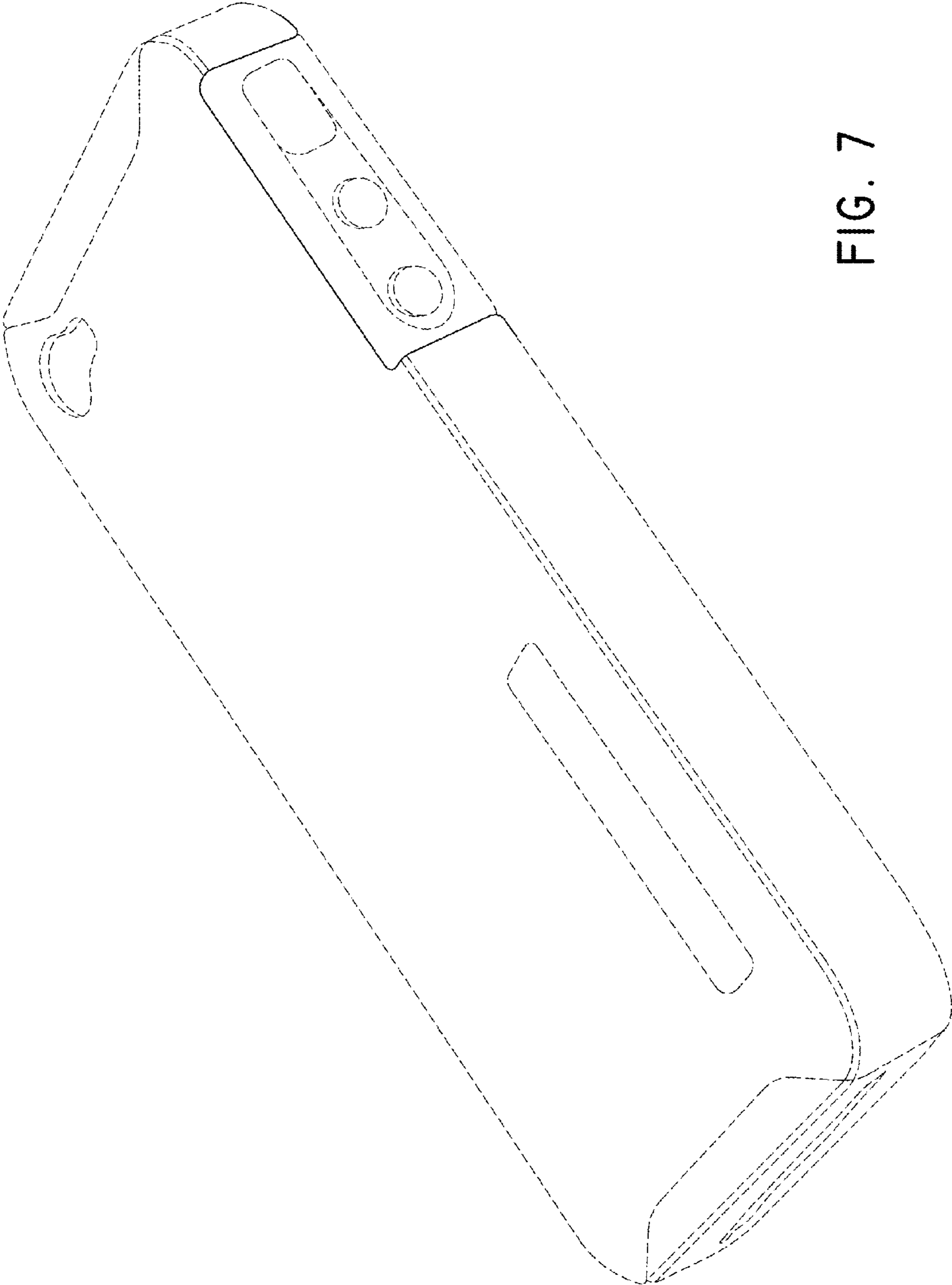


FIG. 7