



US00D778891S

(12) **United States Design Patent** (10) **Patent No.:** **US D778,891 S**  
**Husgafvel et al.** (45) **Date of Patent:** **\*\* Feb. 14, 2017**

(54) **HANDSET**

(71) Applicant: **Microsoft Corporation**, Redmond, WA (US)

(72) Inventors: **Ilkka Husgafvel**, Helsinki (FI); **Sawa Tanaka**, Helsinki (FI); **Heikki Kangasmaa**, Espoo (FI); **Teemu Peltola**, Hämeenlinna (FI)

(73) Assignee: **Microsoft Corporation**, Redmond, WA (US)

(\*\*) Term: **14 Years**

(21) Appl. No.: **29/522,507**

(22) Filed: **Mar. 31, 2015**

(51) **LOC (10) Cl.** ..... **14-03**

(52) **U.S. Cl.**  
USPC ..... **D14/248**

(58) **Field of Classification Search**  
USPC .. D14/138 G, 138 AD, 248, 138 R, 138 AC, D14/247, 137, 341-347  
CPC H04M 1/0202; H04M 1/0235; H04M 1/0237; H04M 1/0239; H04M 1/0266; H04M 1/0268; H04M 1/027; H04M 1/0295  
See application file for complete search history.

(56) **References Cited**

U.S. PATENT DOCUMENTS

D605,158 S	*	12/2009	Hung	.....	D14/138 G
D629,788 S	*	12/2010	Lee	.....	D14/203.3
D646,255 S	*	10/2011	Kim	.....	D14/138 G
D646,661 S	*	10/2011	Kim	.....	D14/138 AD
D661,277 S	*	6/2012	Kim	.....	D14/138 G
D665,371 S	*	8/2012	Finney	.....	D14/138 G
D673,131 S	*	12/2012	Sugiyama	.....	D14/138 G
D680,512 S		4/2013	Lu et al.		
D681,589 S	*	5/2013	Han	.....	D14/138 G

D686,586 S	*	7/2013	Cho	.....	D14/138 G
D695,256 S	*	12/2013	Kim	.....	D14/138 G
D699,209 S	*	2/2014	Huang	.....	D14/138 G

(Continued)

FOREIGN PATENT DOCUMENTS

IN	214920	2/2008
KR	30-0708630	9/2013
TW	D160278	5/2014

OTHER PUBLICATIONS

Microsoft Lumia 550, announced Oct. 2015, [online], [retrieved on Sep. 28, 2016]. Retrieved from Internet ,<URL: <http://www.gsmarena.com>>.\*

(Continued)

*Primary Examiner* — Bridget L Eland

(74) *Attorney, Agent, or Firm* — Banner & Witcoff, Ltd.

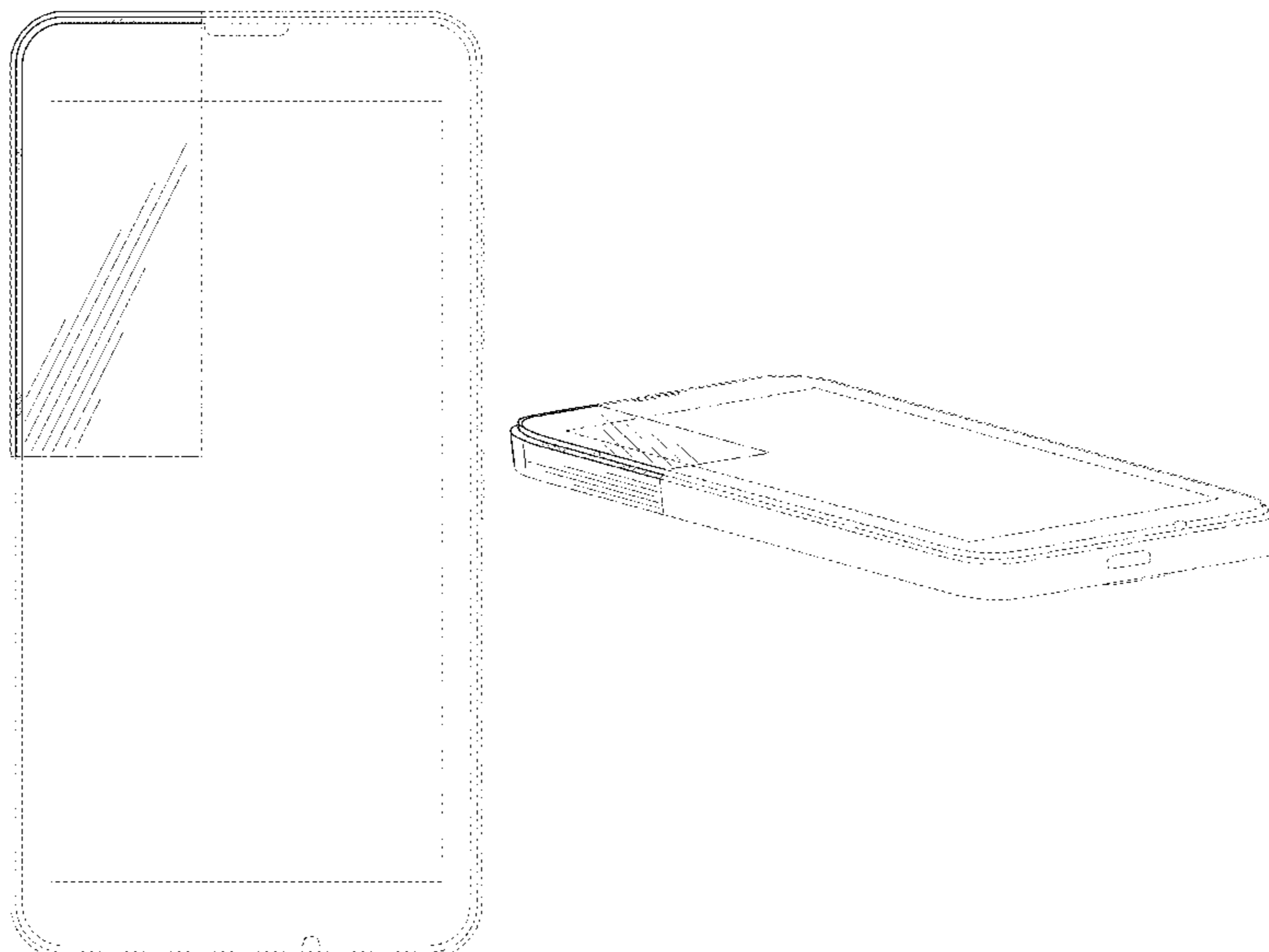
(57) **CLAIM**

The ornamental design for a handset, as shown and described.

**DESCRIPTION**

FIG. 1 is a perspective front view of a handset showing our new design;  
FIG. 2 is a front view thereof;  
FIG. 3 is a rear view thereof;  
FIG. 4 is a left side view thereof;  
FIG. 5 is a top view thereof;  
FIG. 6 is a perspective top front view thereof;  
FIG. 7 is a perspective bottom left front view thereof; and,  
FIG. 8 is an enlarged view of the region demarcated by uneven-length broken lines of FIG. 1.  
The uneven-length broken lines represent unclaimed boundaries of the design. The even-length broken lines of the handset are for environmental purposes only and form no part of the claimed design.

**1 Claim, 7 Drawing Sheets**



(56)

**References Cited**

## U.S. PATENT DOCUMENTS

D700,164	S	*	2/2014	Park	.....	D14/138	G
D702,205	S	*	4/2014	Joung	.....	D14/138	G
D707,649	S	*	6/2014	Choi	.....	D14/138	G
D713,367	S	*	9/2014	Kim	.....	D14/138	G
D723,496	S	*	3/2015	Ryu	.....	D14/138	G
D729,756	S	*	5/2015	Liu	.....	D14/138	G
D730,862	S	*	6/2015	Lim	.....	D14/138	G
D730,863	S	*	6/2015	Yamagishi	.....	D14/138	G
D739,371	S	*	9/2015	Seo	.....	D14/138	G
D750,037	S	*	2/2016	Joung	.....	D14/138	G
D752,005	S	*	3/2016	Dhondt	.....	D14/138	G
D753,621	S	*	4/2016	Boucquey	.....	D14/138	G
D755,146	S	*	5/2016	Cho	.....	D14/138	G
D755,147	S	*	5/2016	Lin	.....	D14/138	G
2010/0267428	A1	*	10/2010	Wang	.....	H04M 1/0241	
						455/575.4	

## OTHER PUBLICATIONS

Microsoft Lumia 640 LTE Dual SIM, announced Mar. 2015, [online], [retrieved on Sep. 28, 2016]. Retrieved from Internet ,<URL: <http://www.gsmarena.com>>.\*

Microsoft Lumia 540 Dual SIM, announced Apr. 2015, [online], [retrieved on Sep. 28, 2016]. Retrieved from Internet ,<URL: <http://www.gsmarena.com>>.\*

Office Action for Taiwanese Application No. 103303822 issued on Nov. 24, 2014, 8 pages.

Office Action for Indian Application No. 263727 issued on Sep. 1, 2014. 2 pages.

Office Action for Indian Application No. 263728 issued on Sep. 1, 2014. 2 pages.

\* cited by examiner

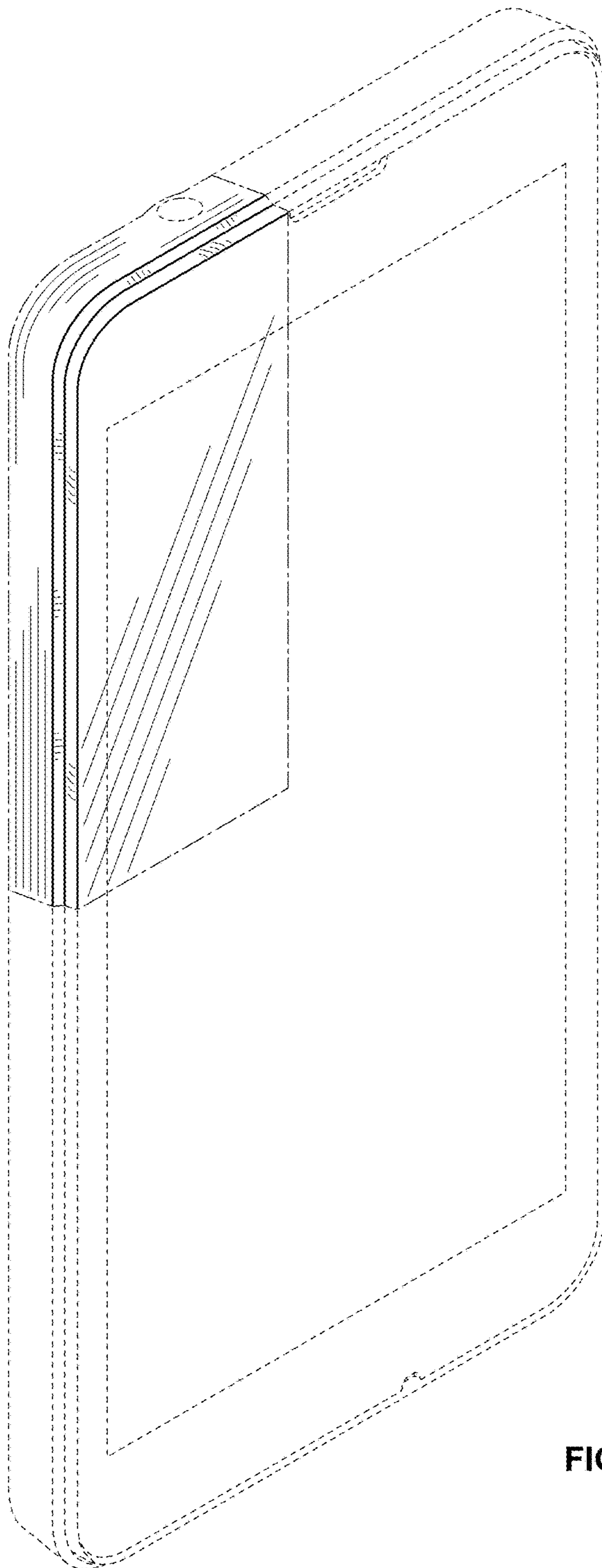


FIG. 1

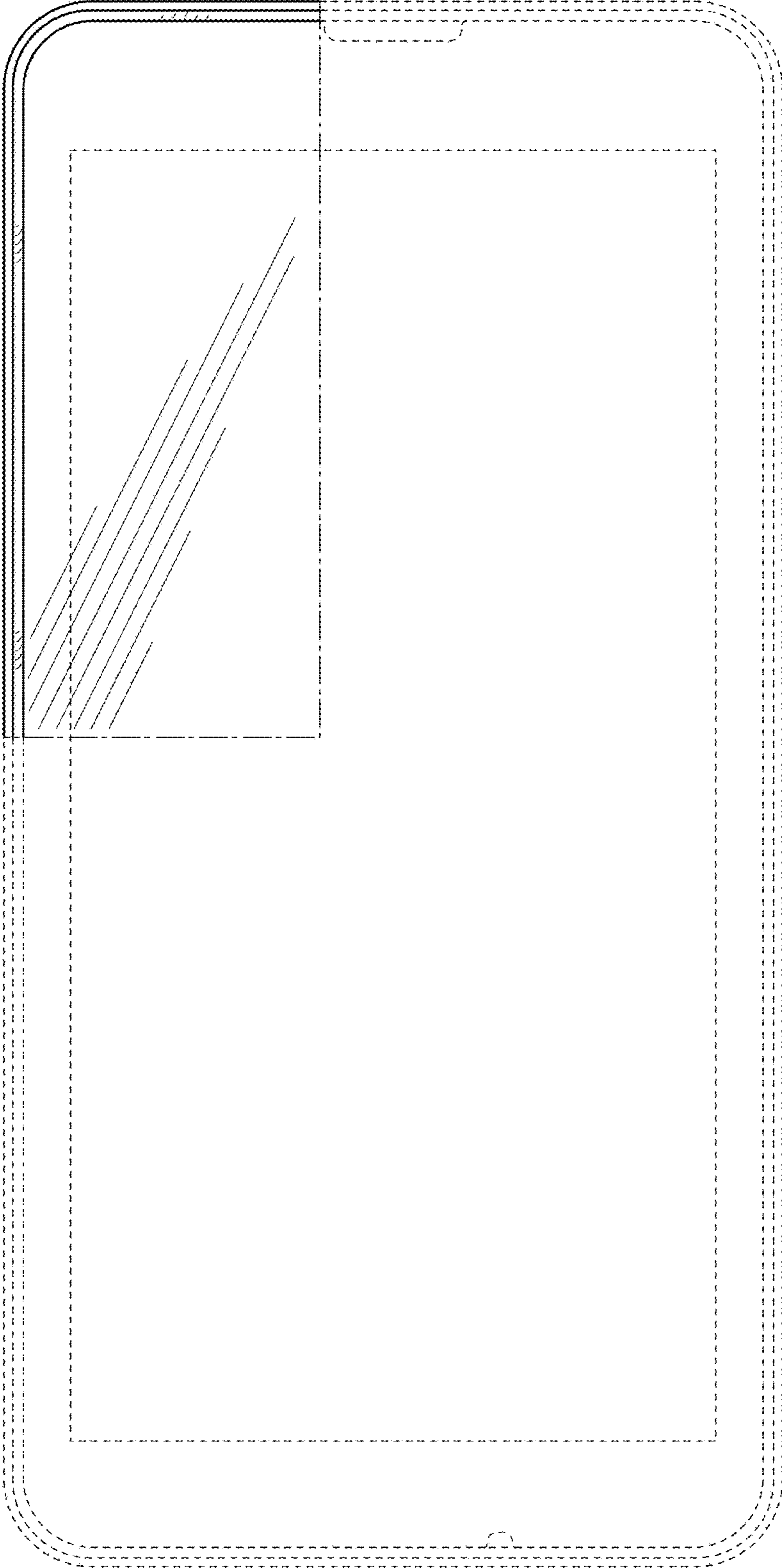


FIG. 2

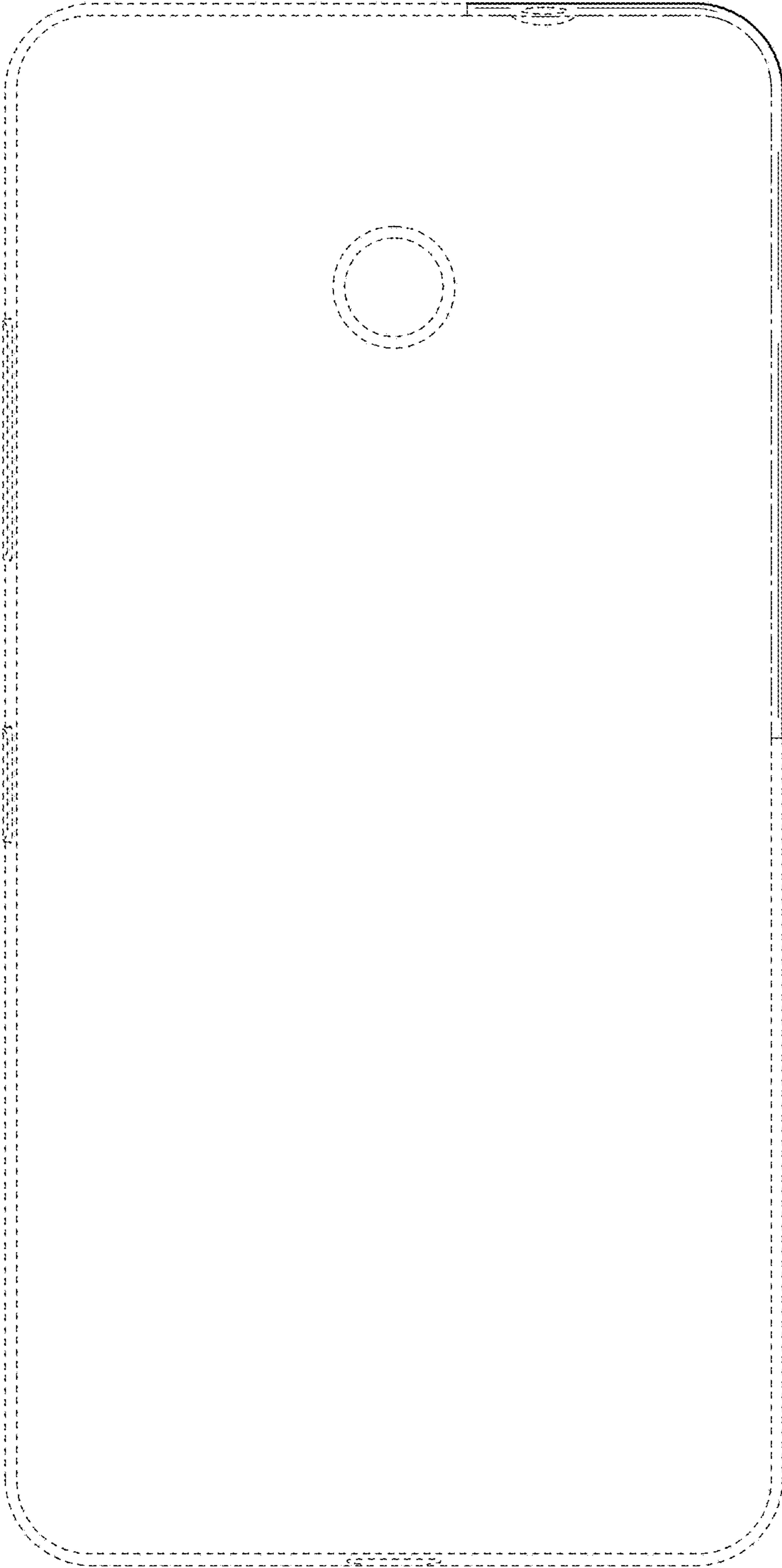


FIG. 3

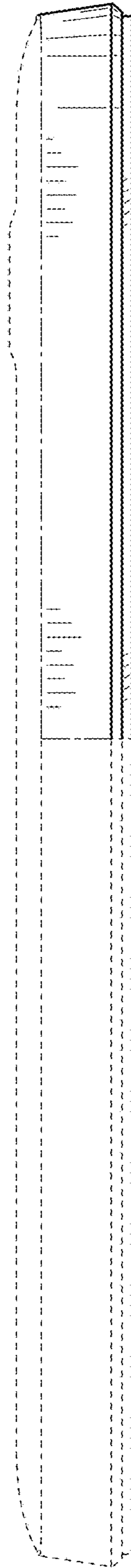


FIG. 4



FIG. 5

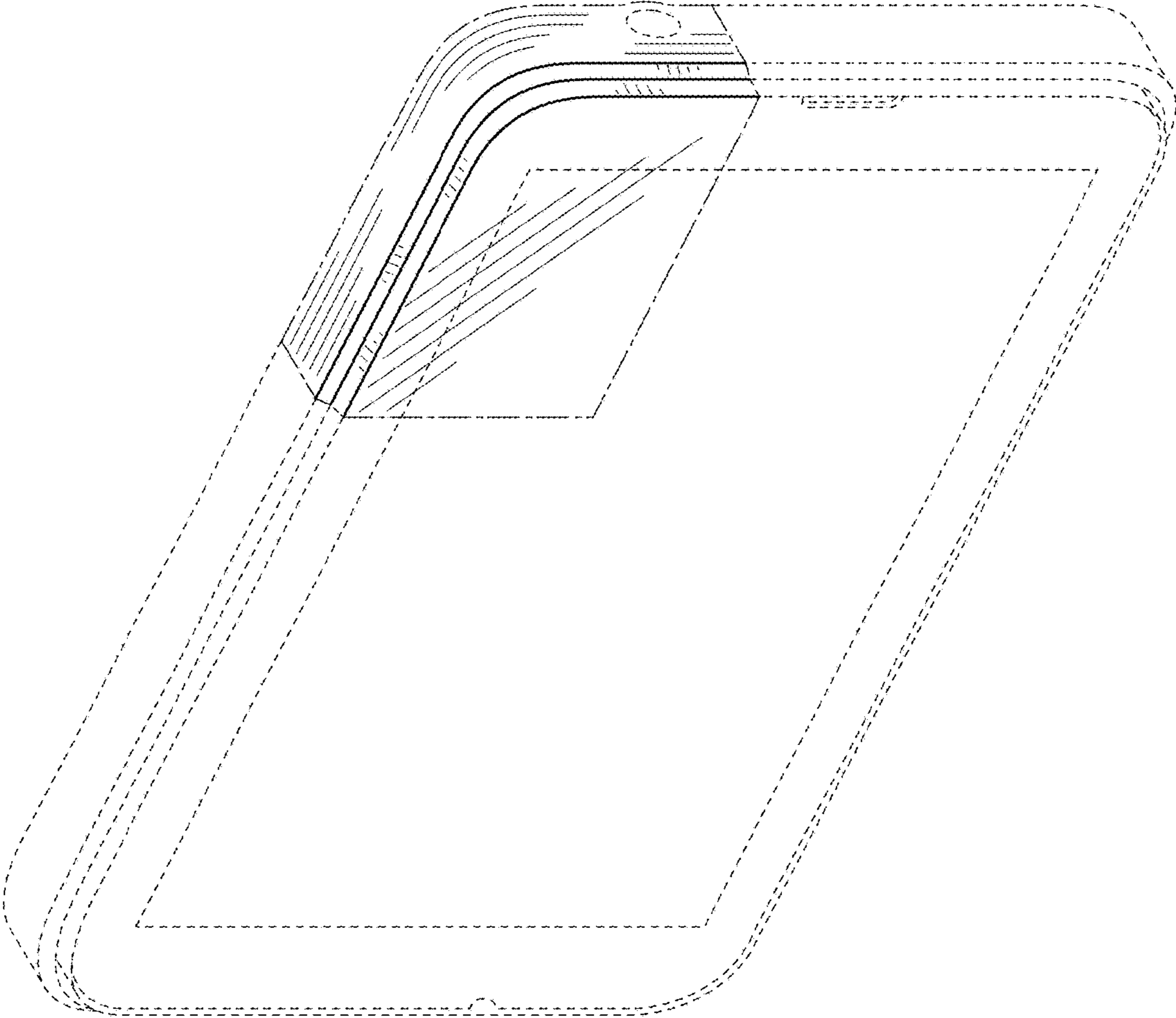


FIG. 6

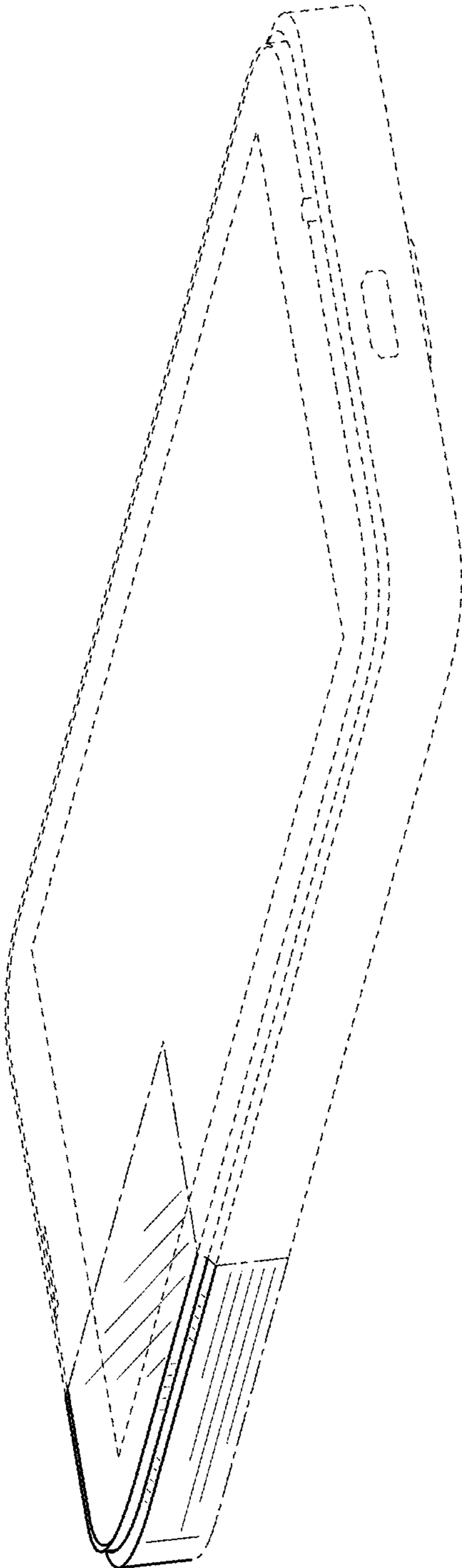


FIG. 7



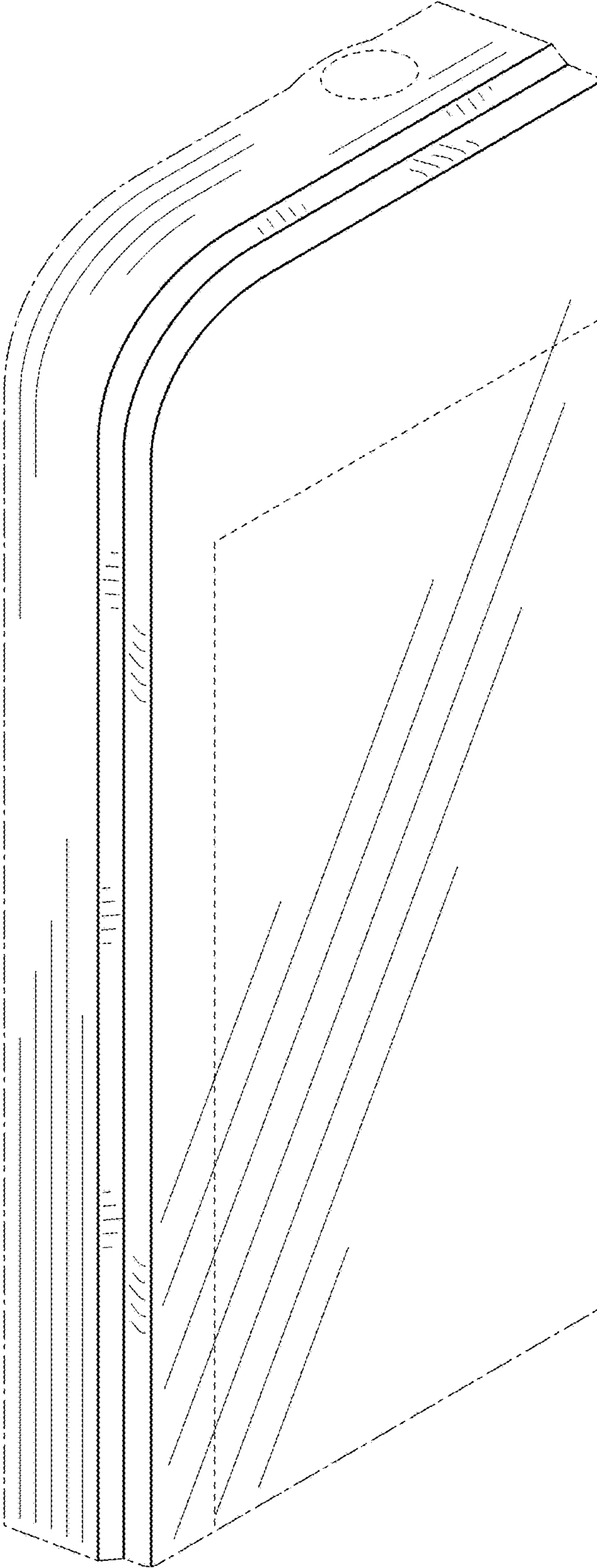


FIG. 8