



US00D778888S

(12) **United States Design Patent**
Geiger

(10) **Patent No.:** **US D778,888 S**

(45) **Date of Patent:** **** Feb. 14, 2017**

(54) **WIRELESS COMMUNICATIONS REPEATER**

(71) Applicant: **Tantalus Systems Corp.**, Burnaby
(CA)

(72) Inventor: **Franklin Christiaan Geiger**, Burnaby
(CA)

(73) Assignee: **Tantalus Systems Corp.**, Burnaby, BC
(CA)

(**) Term: **14 Years**

(21) Appl. No.: **29/511,846**

(22) Filed: **Dec. 15, 2014**

(51) **LOC (10) Cl.** **14-03**

(52) **U.S. Cl.**
USPC **D14/240**

(58) **Field of Classification Search**
USPC D10/104.1; D14/125, 137, 139,
D14/140–140.9, 155, 188, 203.1, 204,
D14/216, 217, 240, 242, 348, 349,
D14/356–358, 363; D13/110, 123, 108,
D13/158, 199, 130; D9/500, 506, 507,
D9/414, 435; D3/265; D8/300, 310,
D8/312; D26/67, 26
CPC H04L 12/00; H03K 17/00; H04W 88/00;
H04W 88/04; H04B 1/38
See application file for complete search history.

(56) **References Cited**

U.S. PATENT DOCUMENTS

D34,061 S * 2/1901 Scattergood D19/84
D91,437 S * 1/1934 Nielsen D9/444
D221,081 S * 7/1971 Kahn D13/110
D304,944 S * 12/1989 Behringer D14/188
D309,888 S * 8/1990 Cheng D13/110
D375,501 S * 11/1996 Lee D14/242
D390,462 S * 2/1998 Mao D9/435
D456,383 S * 4/2002 Chen D14/168
D495,599 S * 9/2004 Biesecker D7/391
D566,698 S * 4/2008 Choi D14/240
D600,151 S * 9/2009 Steffensen D10/104.1

D600,152 S * 9/2009 Stack D10/104.1
D659,093 S * 5/2012 Schmid D13/108
D664,878 S * 8/2012 Schenck D10/106.8
D684,136 S * 6/2013 Ohno D14/203.6
2014/0233613 A1* 8/2014 Fink H04W 24/02
375/219

OTHER PUBLICATIONS

Furnishing Smart Home Wireless Infrared Repeater, no date available, [online], [site visited Oct. 18, 2016]. Retrieved from: <url:https://www.aliexpress.com/item/Furnishing-Smart-home-wireless-infrared-repeater-intelligent-TV-remote-control-air-conditioning/32714226179.html?spm=2114.40010308.4.2.wVyUyC>.*
Mimosa Installation Out of the Box, Nov. 17, 2014, [online], [site visited Oct. 18, 2016]. Retrieved from: <url:https://www.youtube.com/watch?v=DotIU7A_E9s>.*
TUNet_TR-1905-R3, no date available [online], [site visited Oct. 19, 2016]. Retrieved from: <url:http://www.tantalus.com/pdf/products/TUNet_TR-1905-R3.pdf>.*
GE Lighting Systems, Inc., marketing brochure titled StreetSmarts, with copyright notice 2003.

* cited by examiner

Primary Examiner — Jeffrey D Asch

Assistant Examiner — Tracey J Bell

(74) *Attorney, Agent, or Firm* — Hancock Hughey LLP

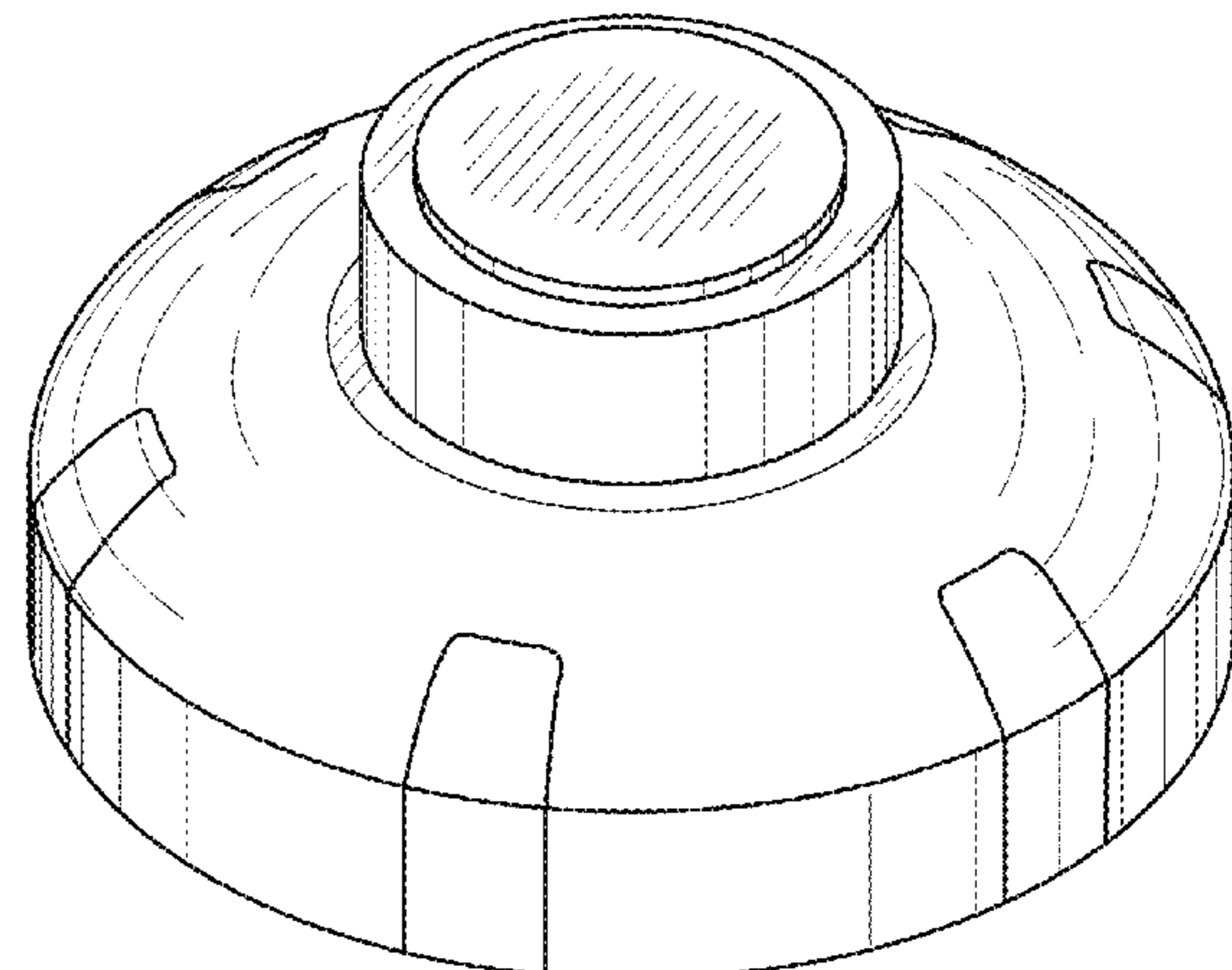
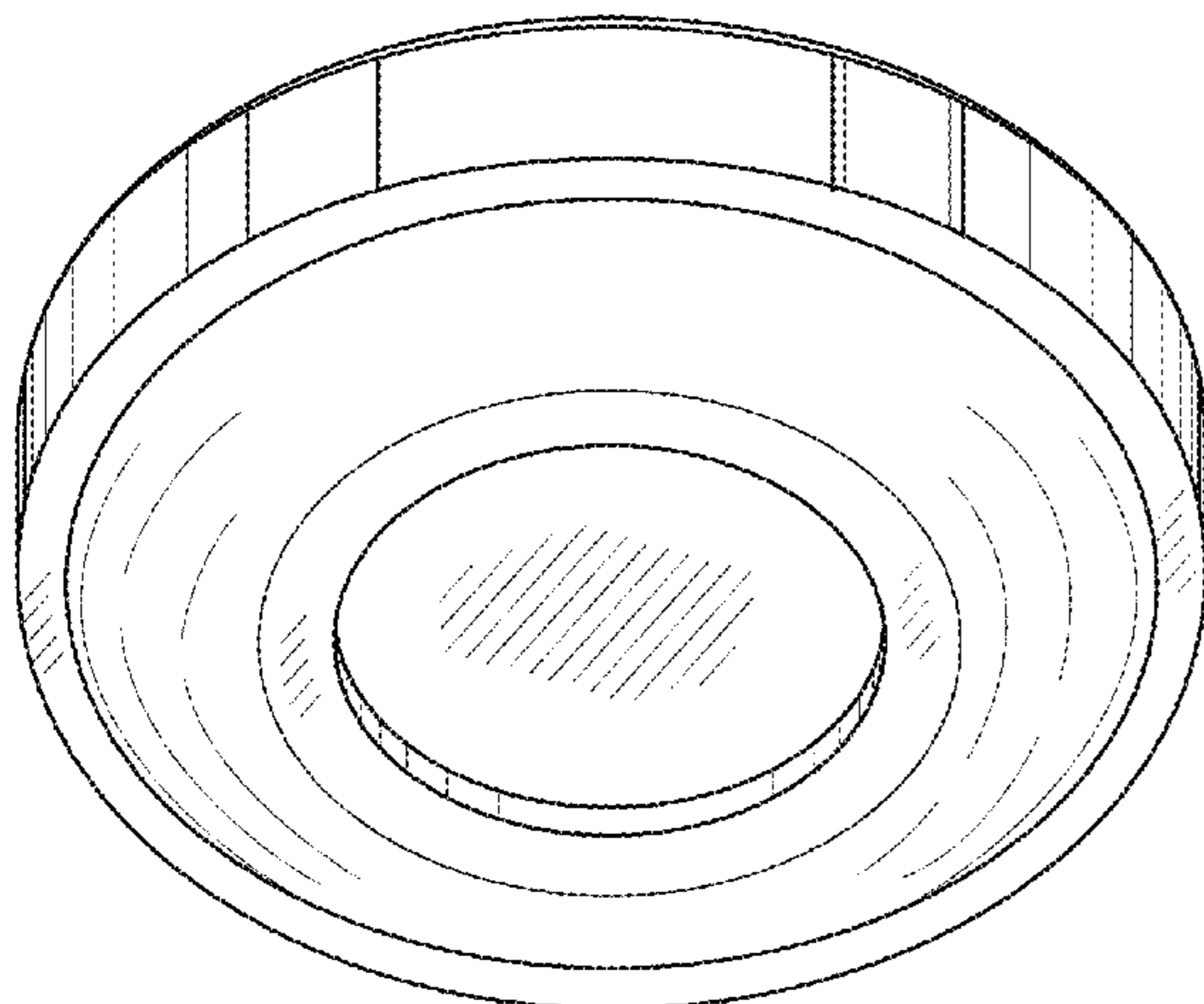
(57) **CLAIM**

The ornamental design for a wireless communications repeater, as shown and described.

DESCRIPTION

FIG. 1 is a top view of the repeater;
FIG. 2 is a bottom view thereof;
FIG. 3 is a side view thereof, it being understood that the repeater is symmetric about a vertical axis;
FIG. 4 is a typical side elevation view thereof, taken at a point rotated 30 degrees from the view presented in FIG. 3
FIG. 5 is a bottom perspective view thereof; and,
FIG. 6 is a top perspective view thereof.

1 Claim, 3 Drawing Sheets



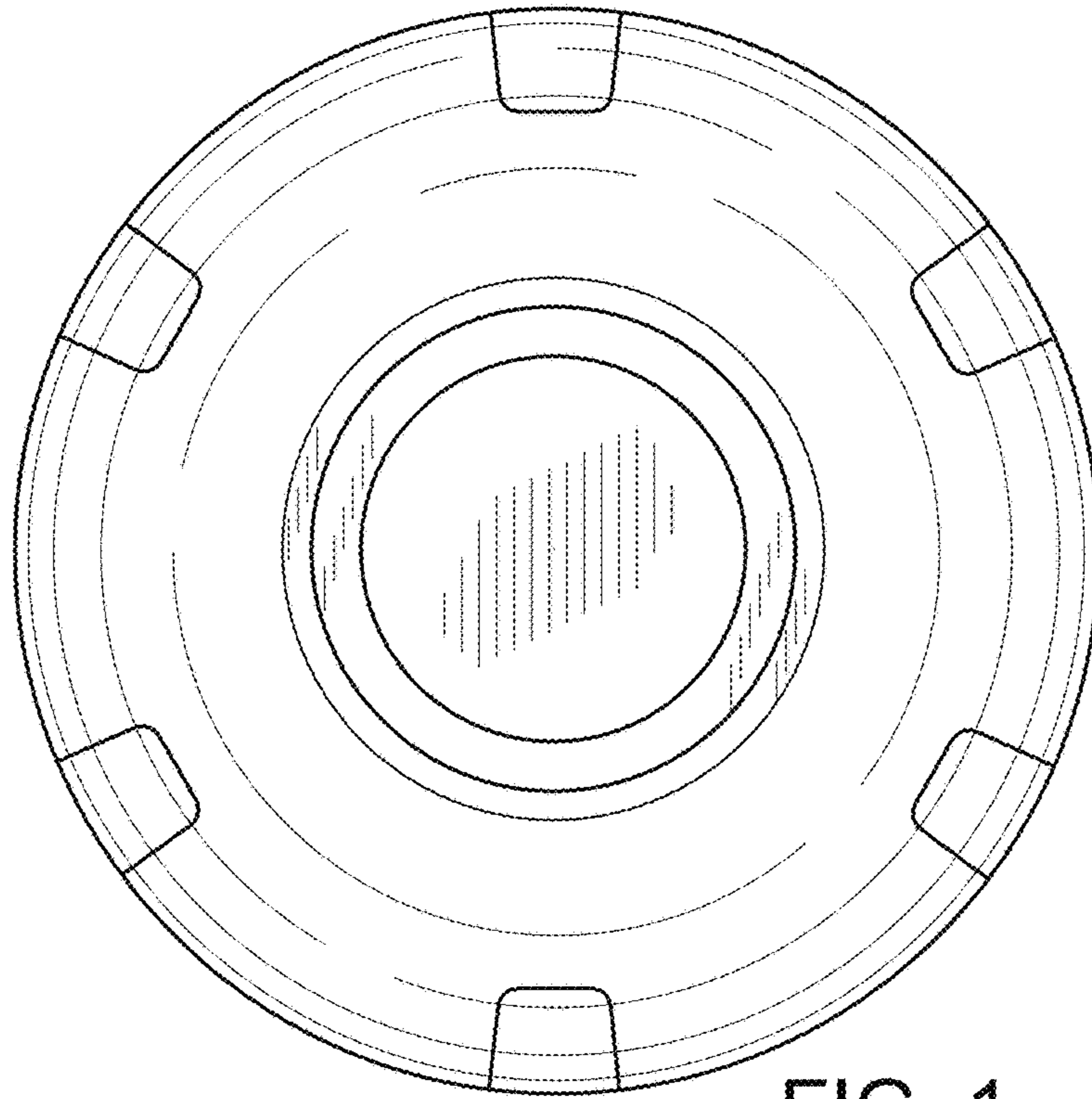


FIG. 1

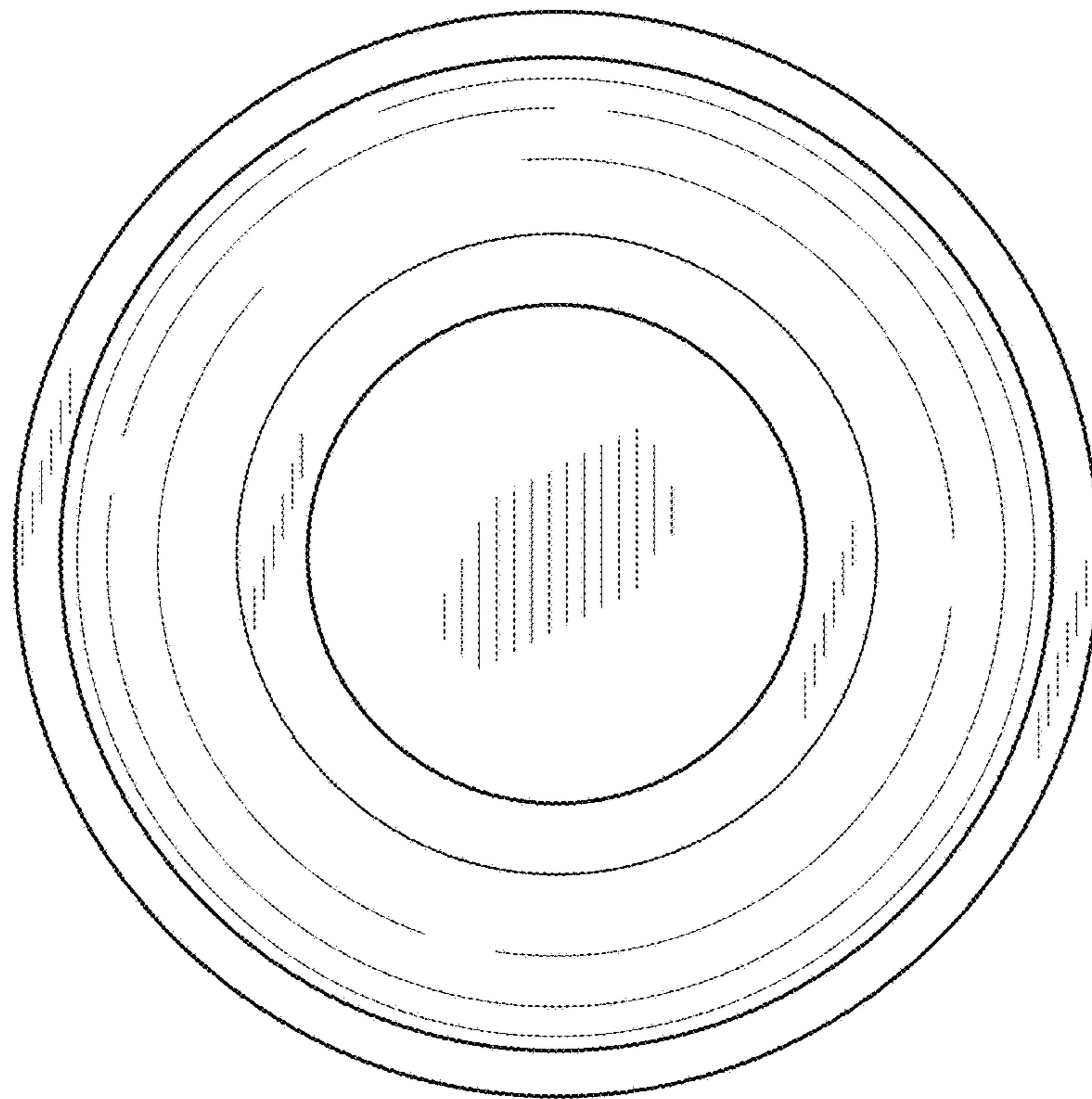


FIG. 2

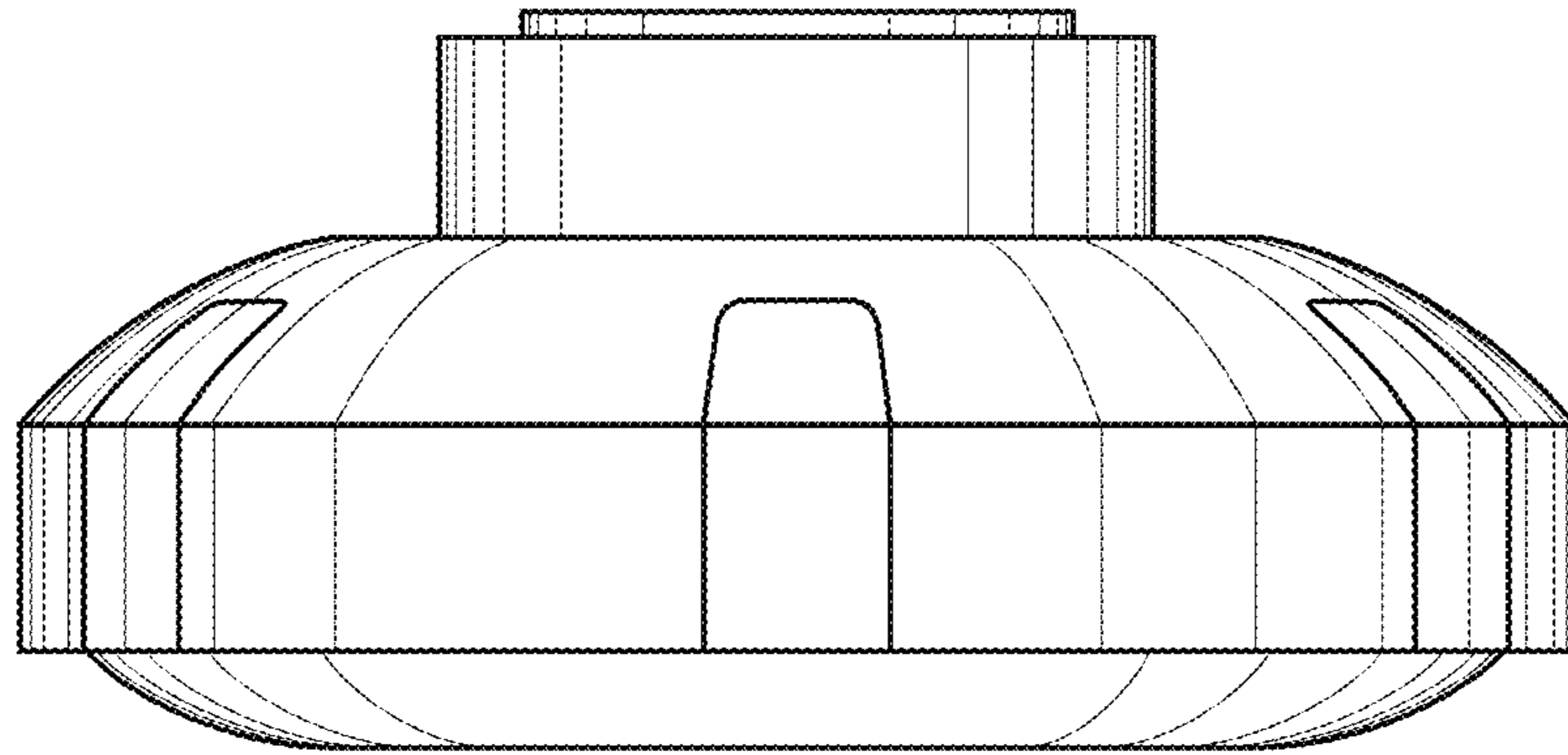


FIG. 3

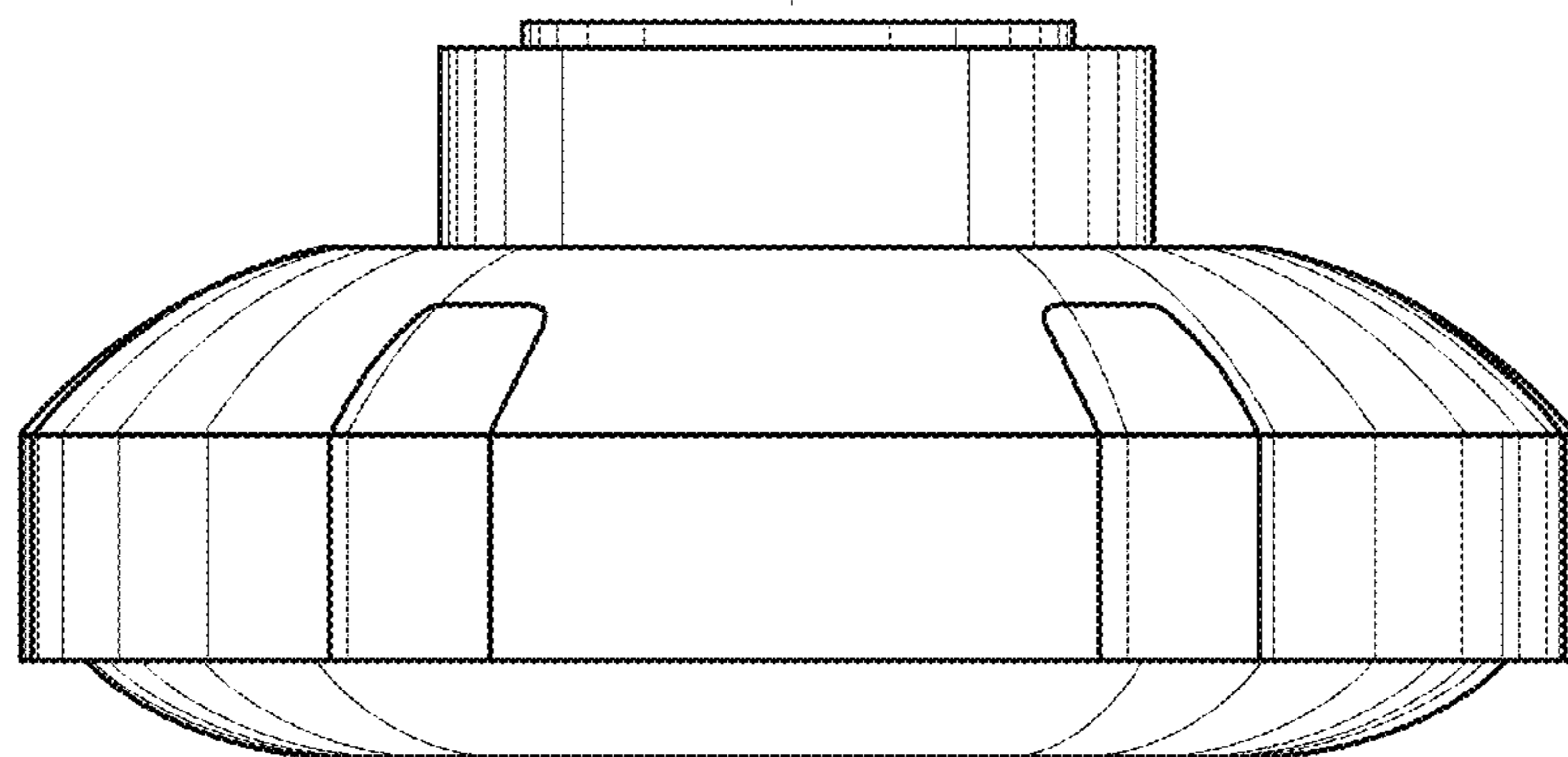


FIG. 4

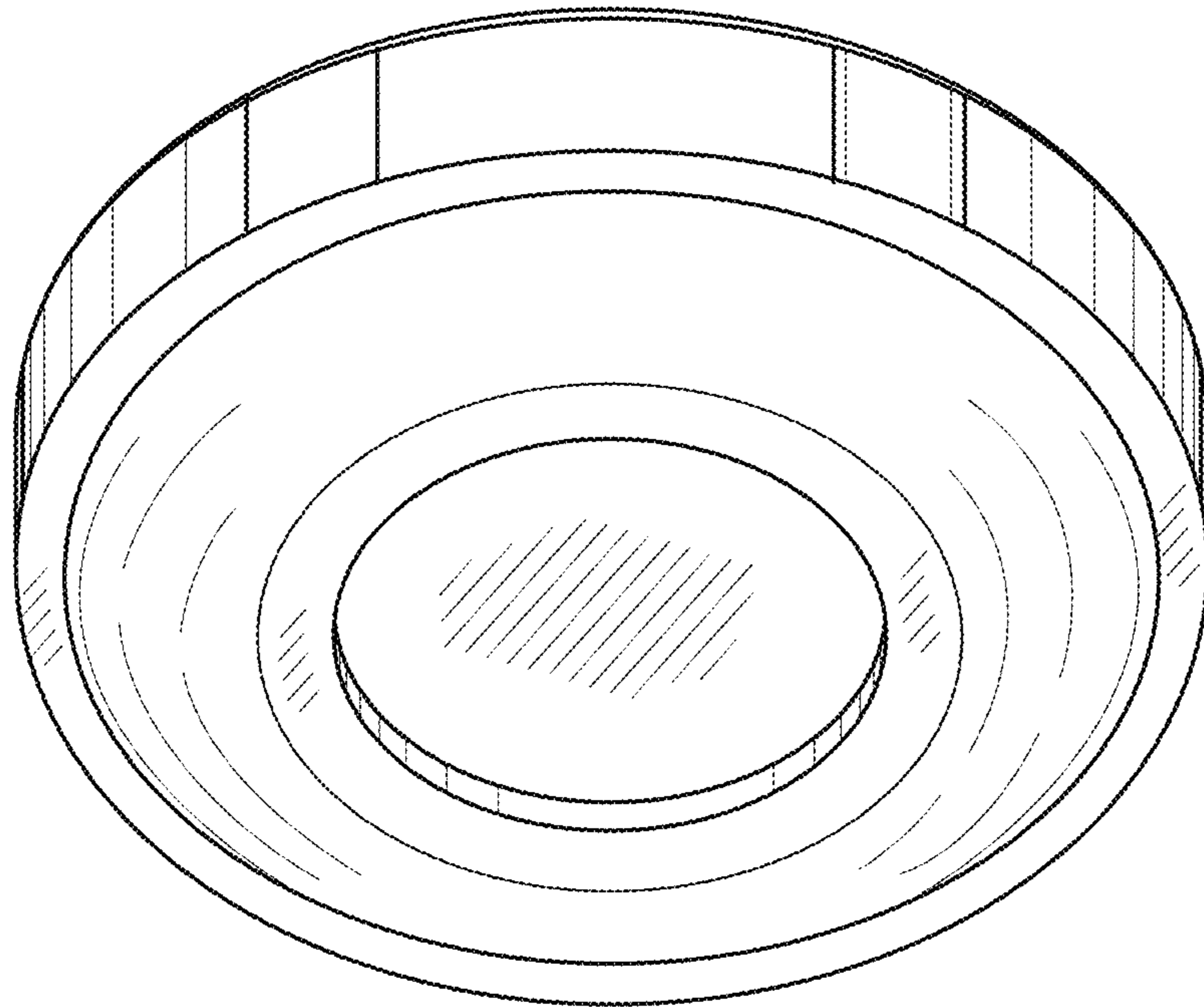


FIG. 5

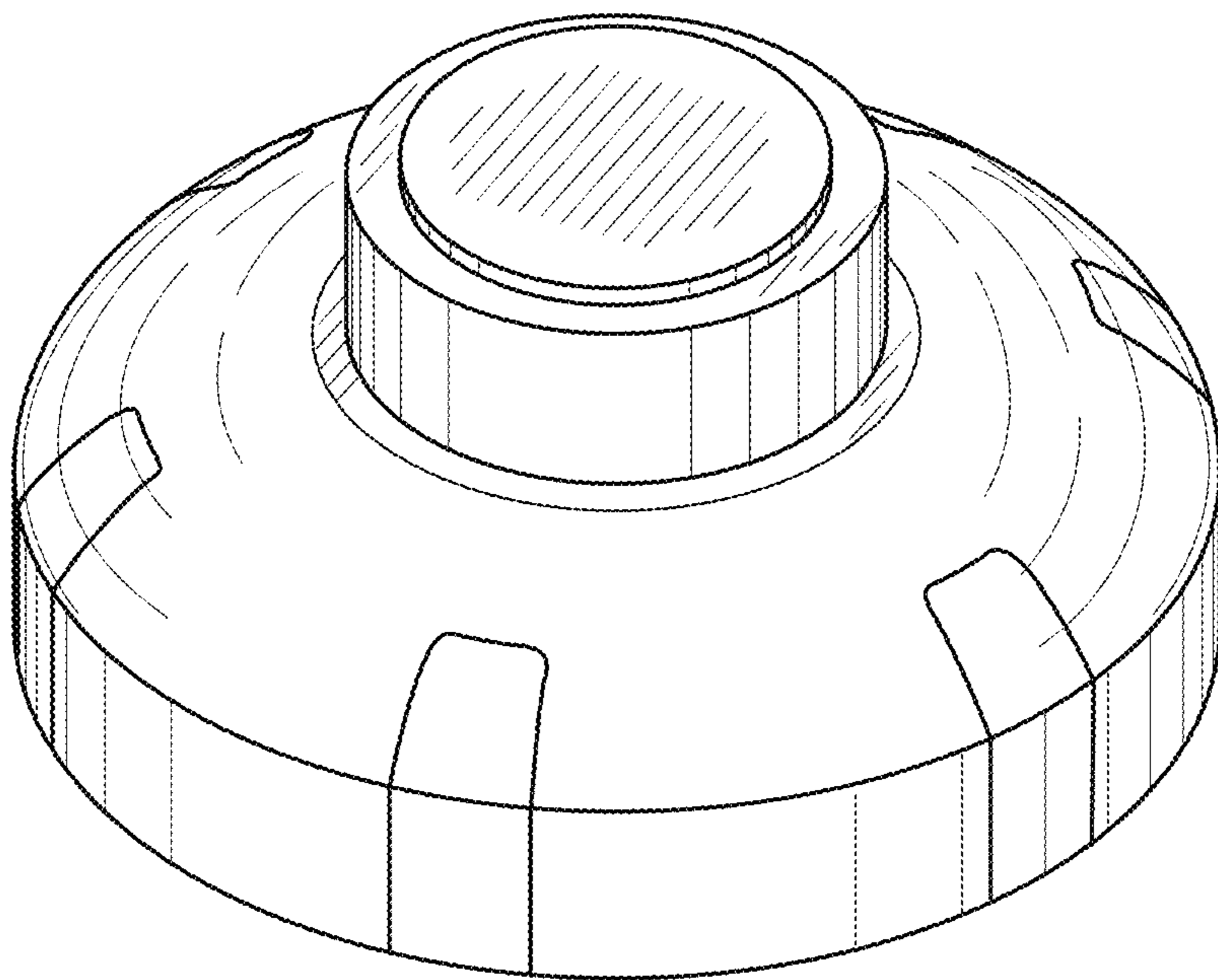


FIG. 6