



US00D778886S

(12) **United States Design Patent** (10) **Patent No.:** **US D778,886 S**  
**Han et al.** (45) **Date of Patent:** **\*\* Feb. 14, 2017**

(54) **STAND FOR TV RECEIVER**

(56) **References Cited**

(71) Applicant: **LG ELECTRONICS INC.**, Seoul (KR)

U.S. PATENT DOCUMENTS

(72) Inventors: **Youngsoo Han**, Seoul (KR); **Jongho Kim**, Seoul (KR); **Sunha Park**, Seoul (KR); **Youngkyoung Kim**, Seoul (KR); **Nari Lee**, Seoul (KR)

D698,795 S *	2/2014	Chang	.....	D14/451
D703,168 S *	4/2014	Won	.....	D14/126
D705,200 S *	5/2014	Choi	.....	D14/239
D717,805 S *	11/2014	Sang	.....	D14/448
D719,119 S *	12/2014	Park	.....	D14/126
D734,284 S *	7/2015	Dai	.....	D14/126
D735,714 S *	8/2015	Sang	.....	D14/371
D738,359 S *	9/2015	Ryu	.....	D14/239

(73) Assignee: **LG ELECTRONICS INC.**, Seoul (KR)

\* cited by examiner

(\*\*) Term: **15 Years**

*Primary Examiner* — Randall Gholson

(21) Appl. No.: **29/551,404**

(74) *Attorney, Agent, or Firm* — Birch, Stewart, Kolasch & Birch, LLP

(22) Filed: **Jan. 13, 2016**

(57) **CLAIM**

(30) **Foreign Application Priority Data**

The ornamental design for a stand for TV receiver, as shown and described.

Jul. 14, 2015 (KR) ..... 30-2015-0035311

**DESCRIPTION**

(51) **LOC (10) Cl.** ..... **14-03**

(52) **U.S. Cl.**  
USPC ..... **D14/239**

(58) **Field of Classification Search**  
USPC ..... D14/125-134, 239, 371, 136, 374-377, D14/440, 450, 448, 336, 342, 159; 312/7.2; 348/836, 838, 180, 184, 325, 348/739; 248/917-924, 465; 345/104, 345/133, 156, 168, 87, 173; D21/329, D21/515, 577, 622, 333, 433, 448, 452, D21/450, 331, 505; D10/15, 26; 446/484, 446/175, 356; D6/477, 479, 300; D24/185; D34/14

FIG. 1 is a front, right side, perspective view of a stand for TV receiver showing our new design;  
FIG. 2 is a front view thereof;  
FIG. 3 is a rear view thereof;  
FIG. 4 is a left side view thereof;  
FIG. 5 is a right side view thereof;  
FIG. 6 is a top view thereof;  
FIG. 7 is a bottom view thereof;  
FIG. 8 is a front, right side, perspective view in a use state thereof; and,  
FIG. 9 is a rear, left side, perspective view in a use state thereof.

CPC .... G06F 1/1601; G06F 1/1643; H05K 5/0004; H05K 5/0017; H05K 5/02; H05K 5/0217  
See application file for complete search history.

The broken lines indicate unclaimed portion of the article that form no part of the claimed design.

**1 Claim, 5 Drawing Sheets**

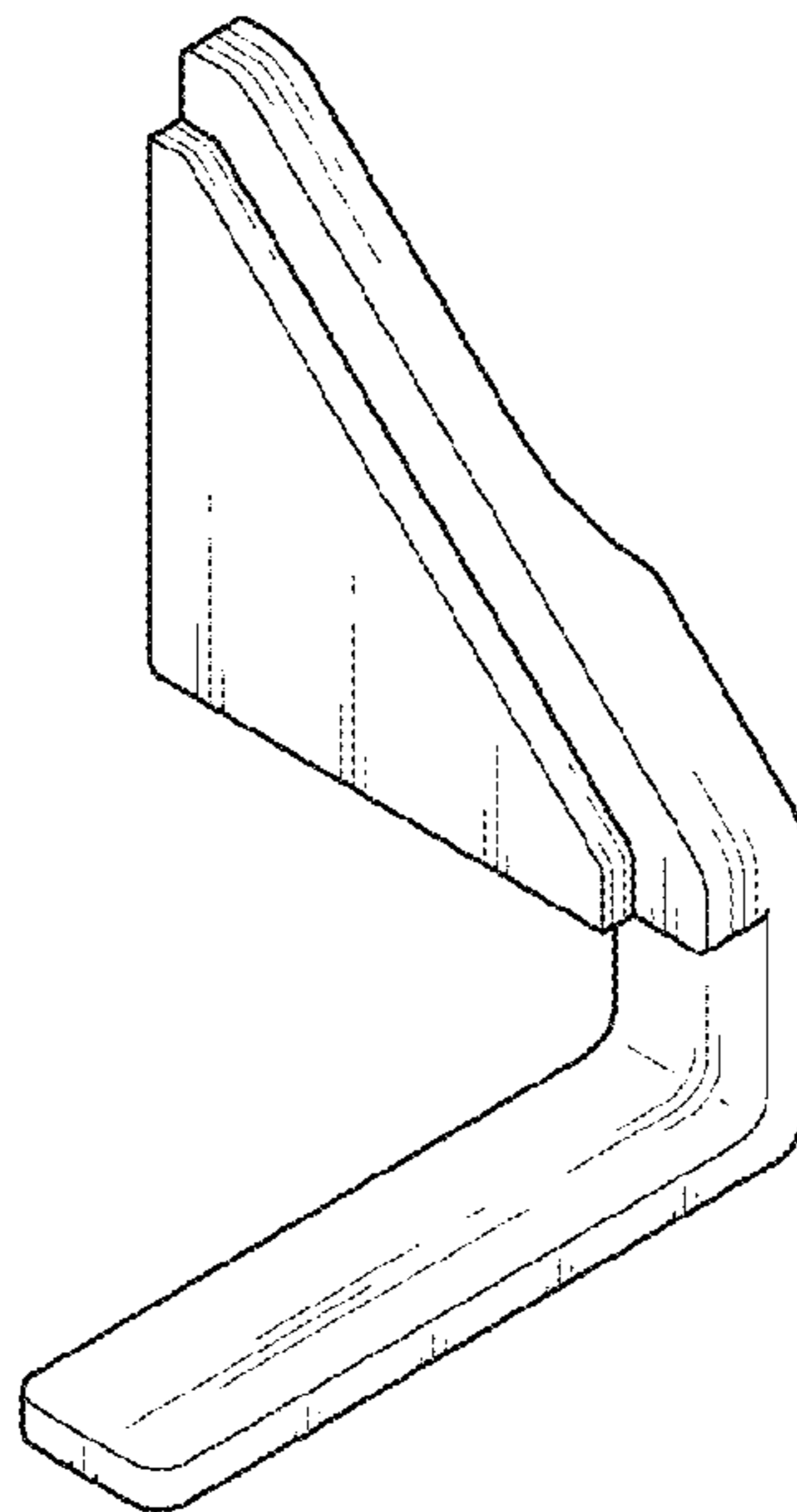


FIG. 1

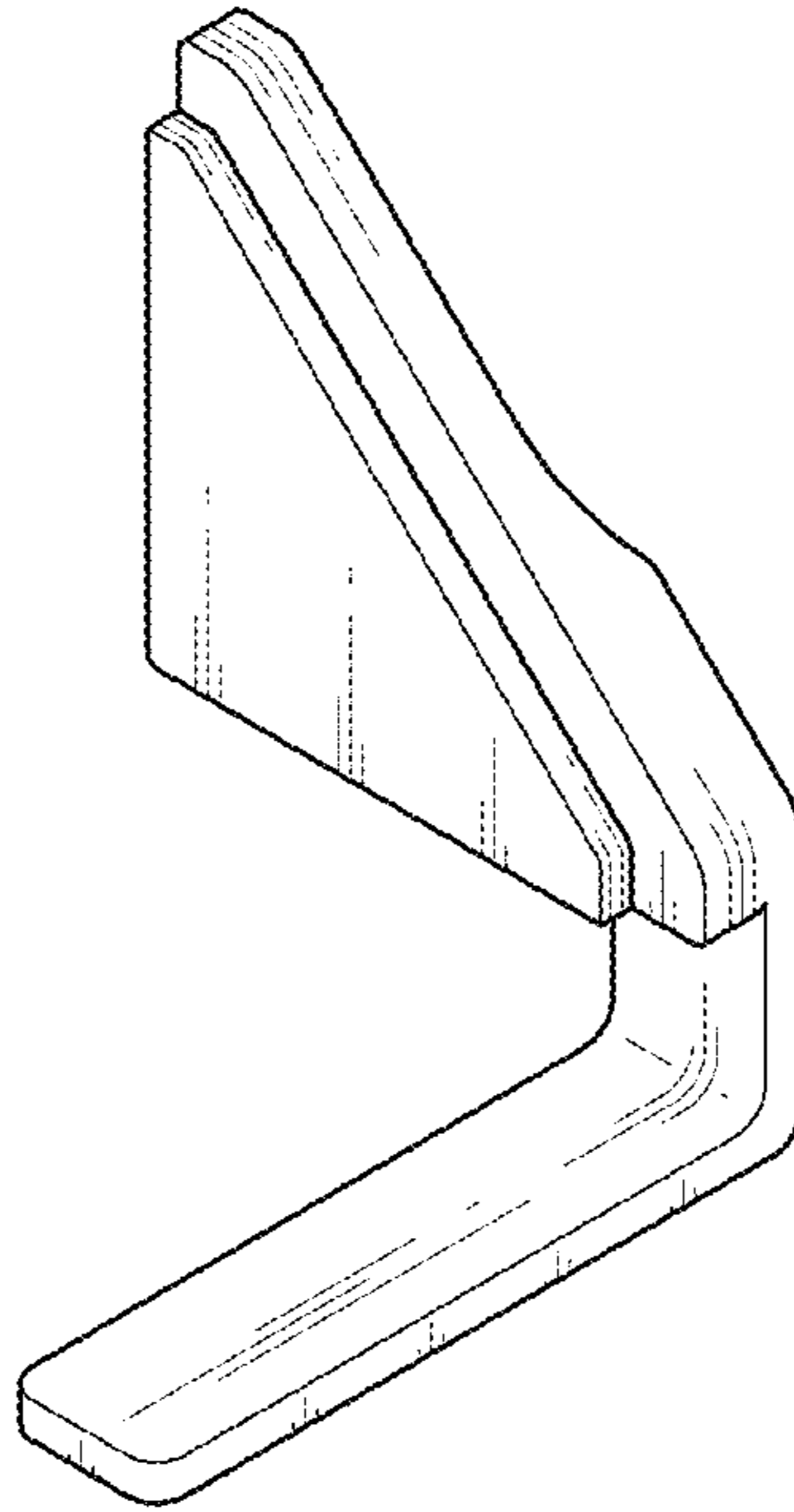


FIG. 2

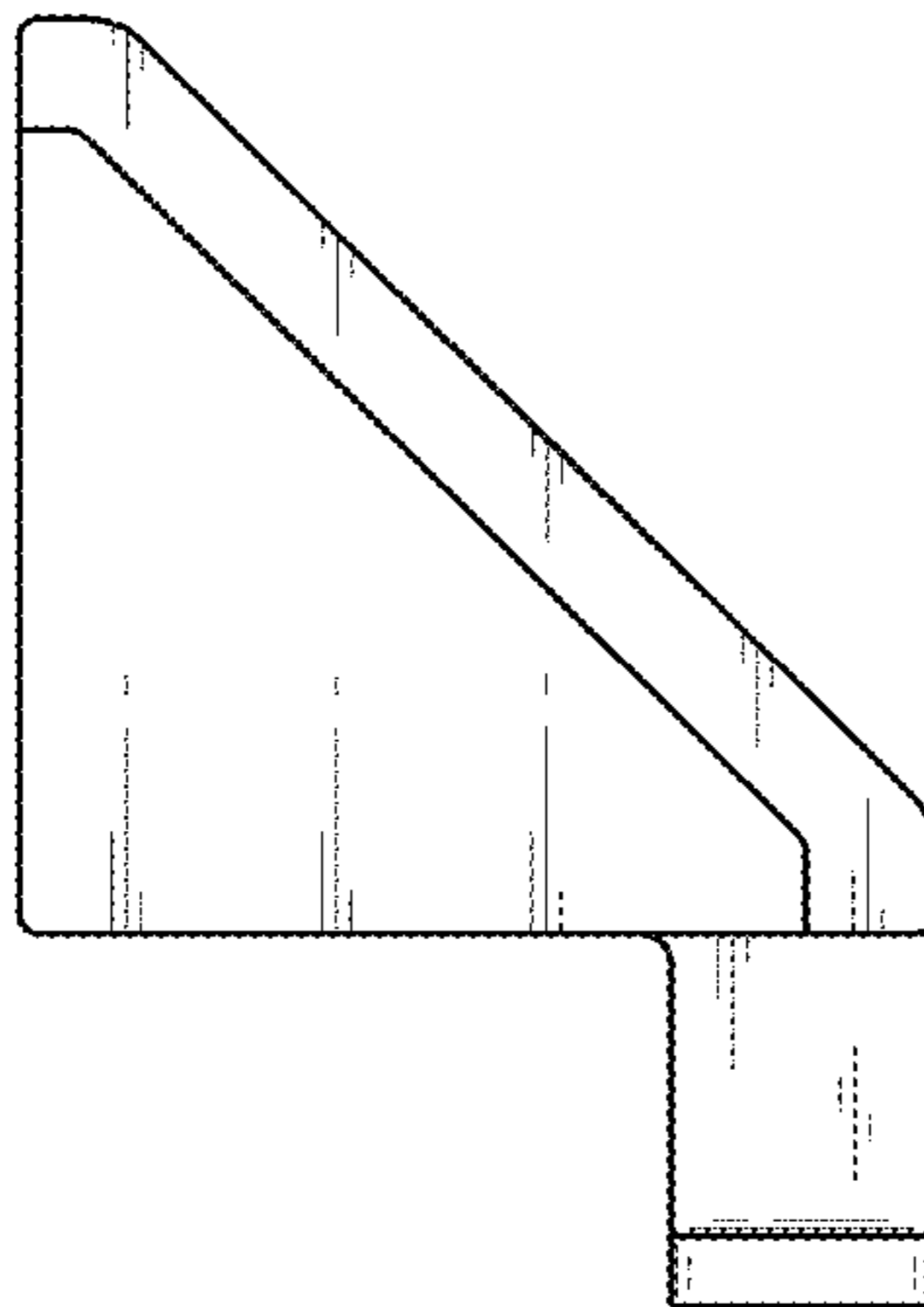


FIG. 3

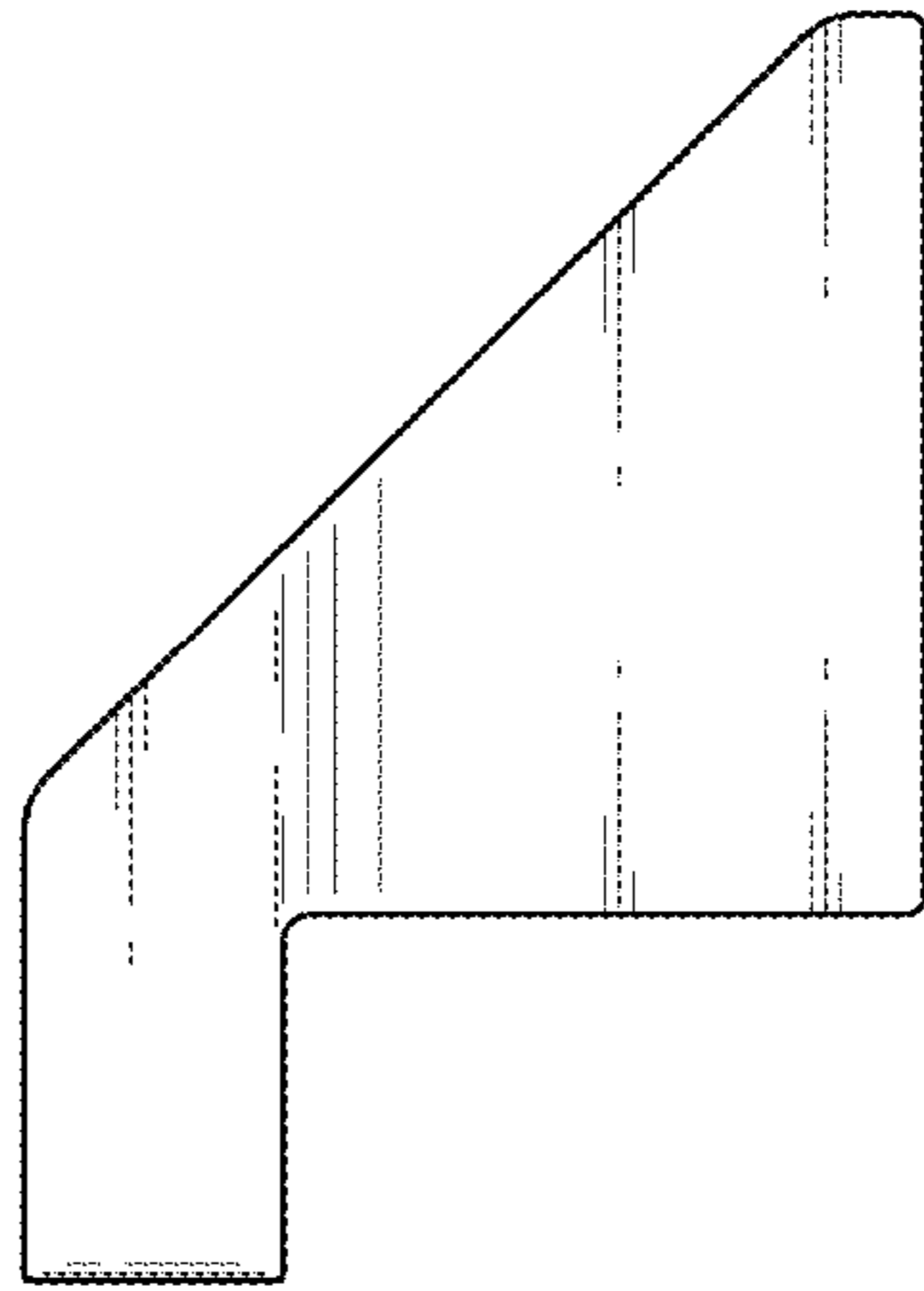


FIG. 4

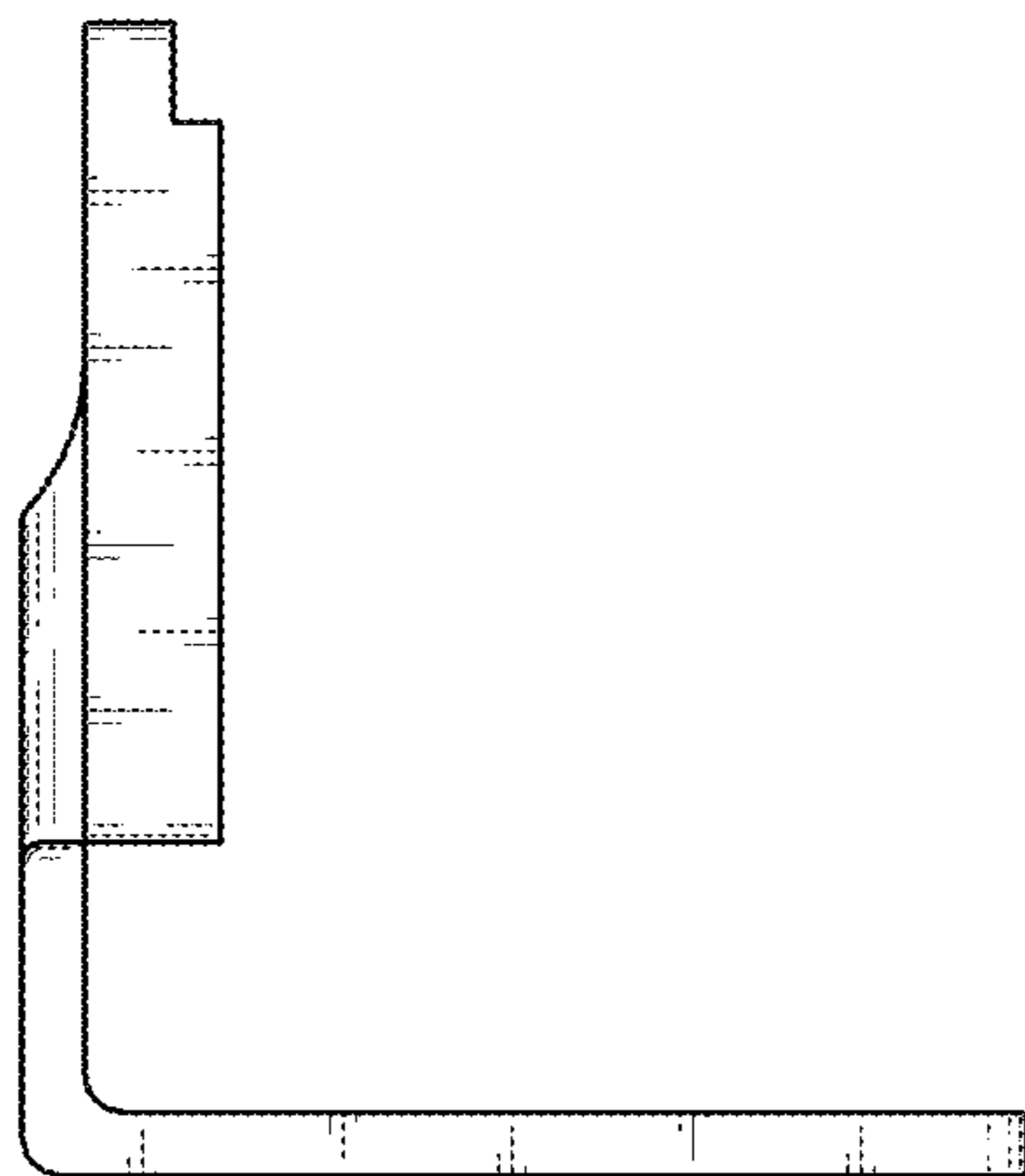


FIG. 5

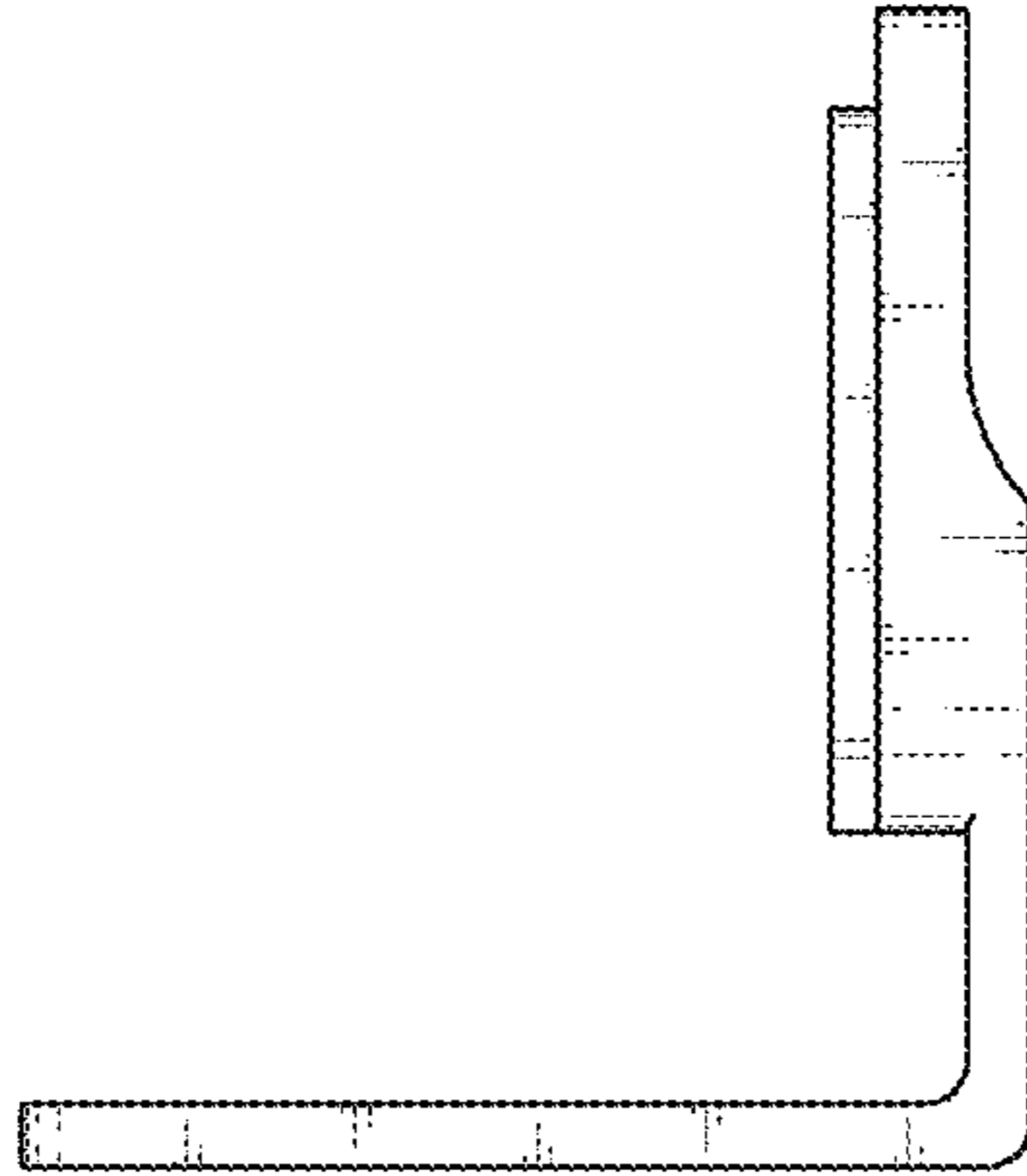


FIG. 6

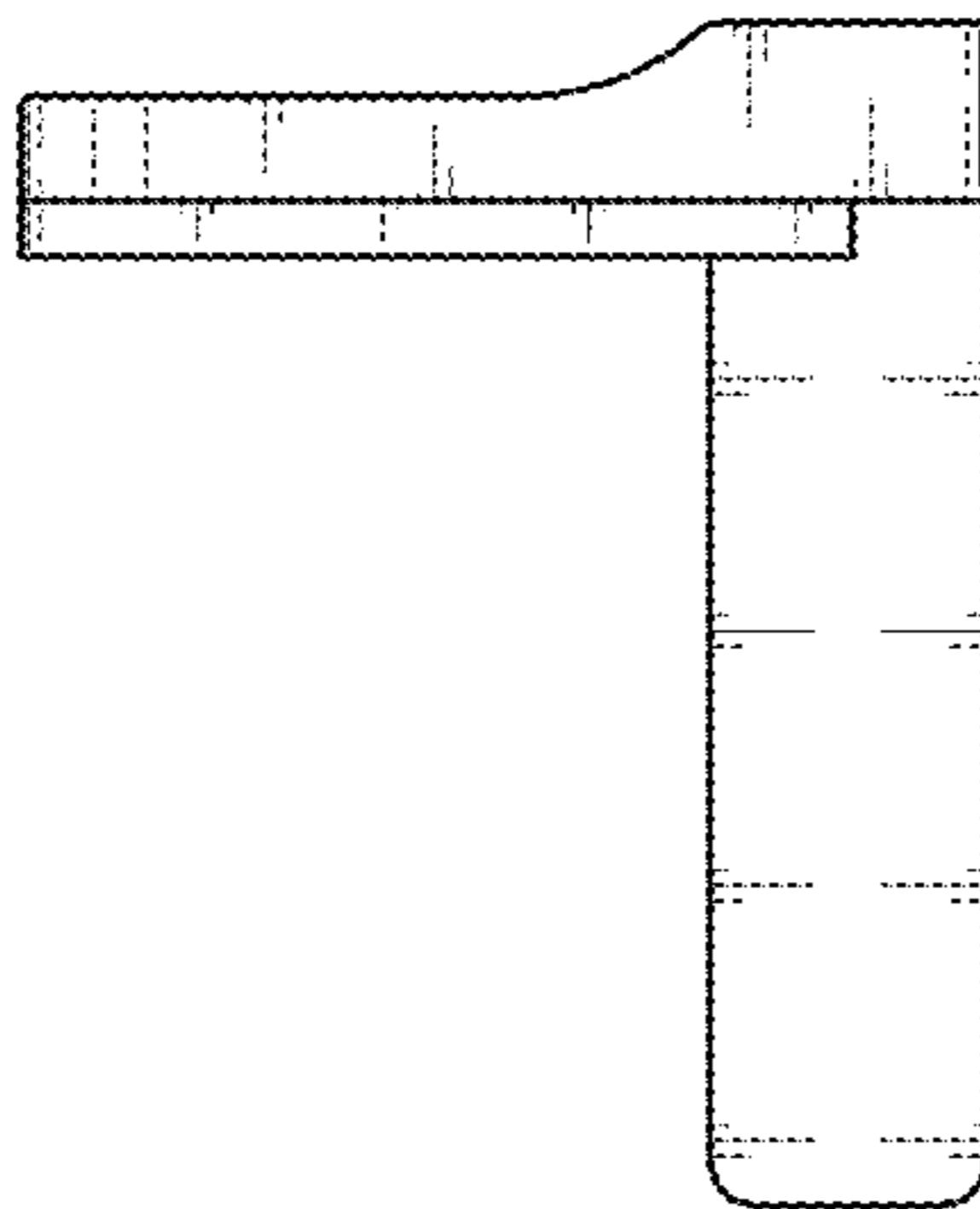


FIG. 7

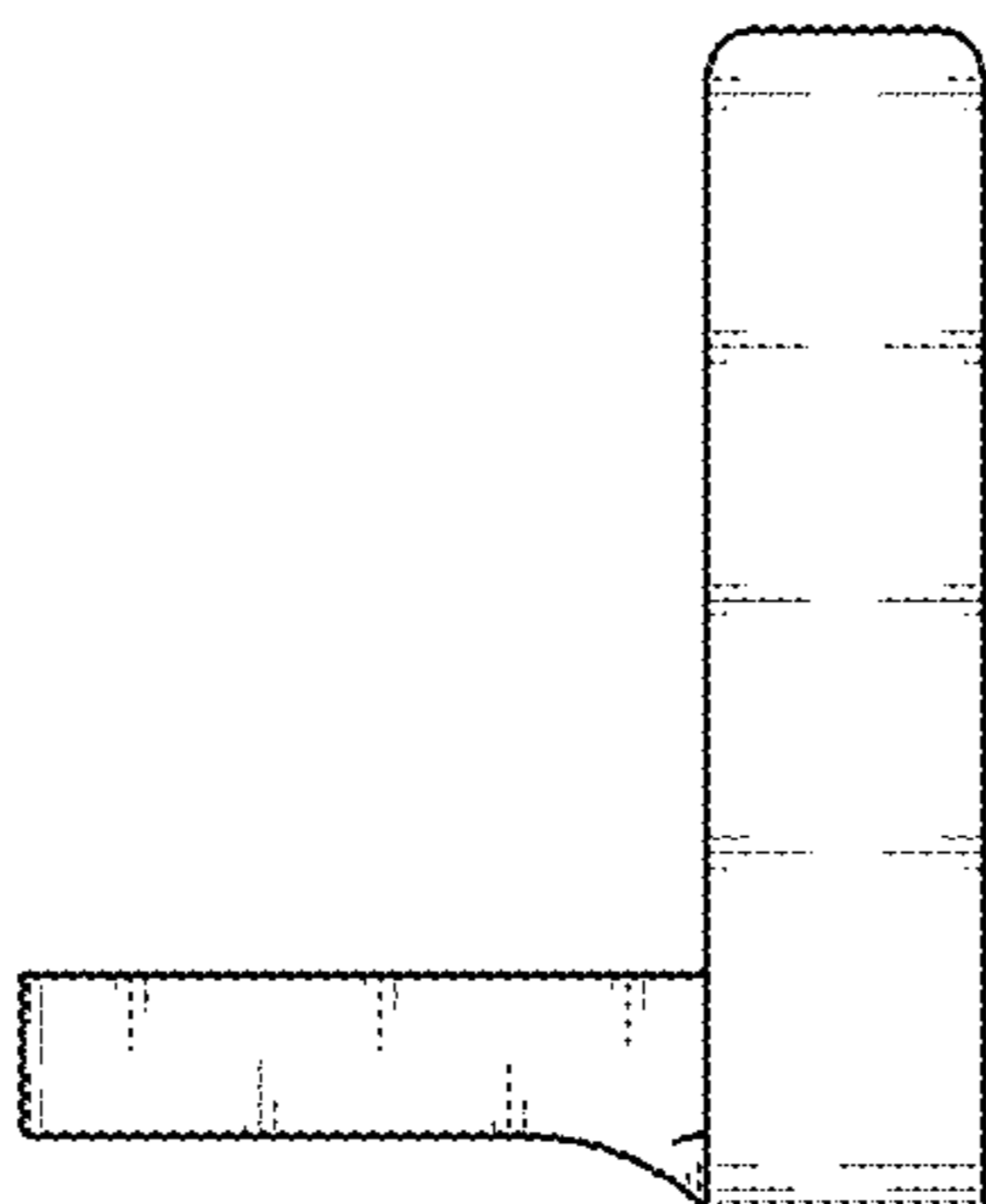


FIG. 8

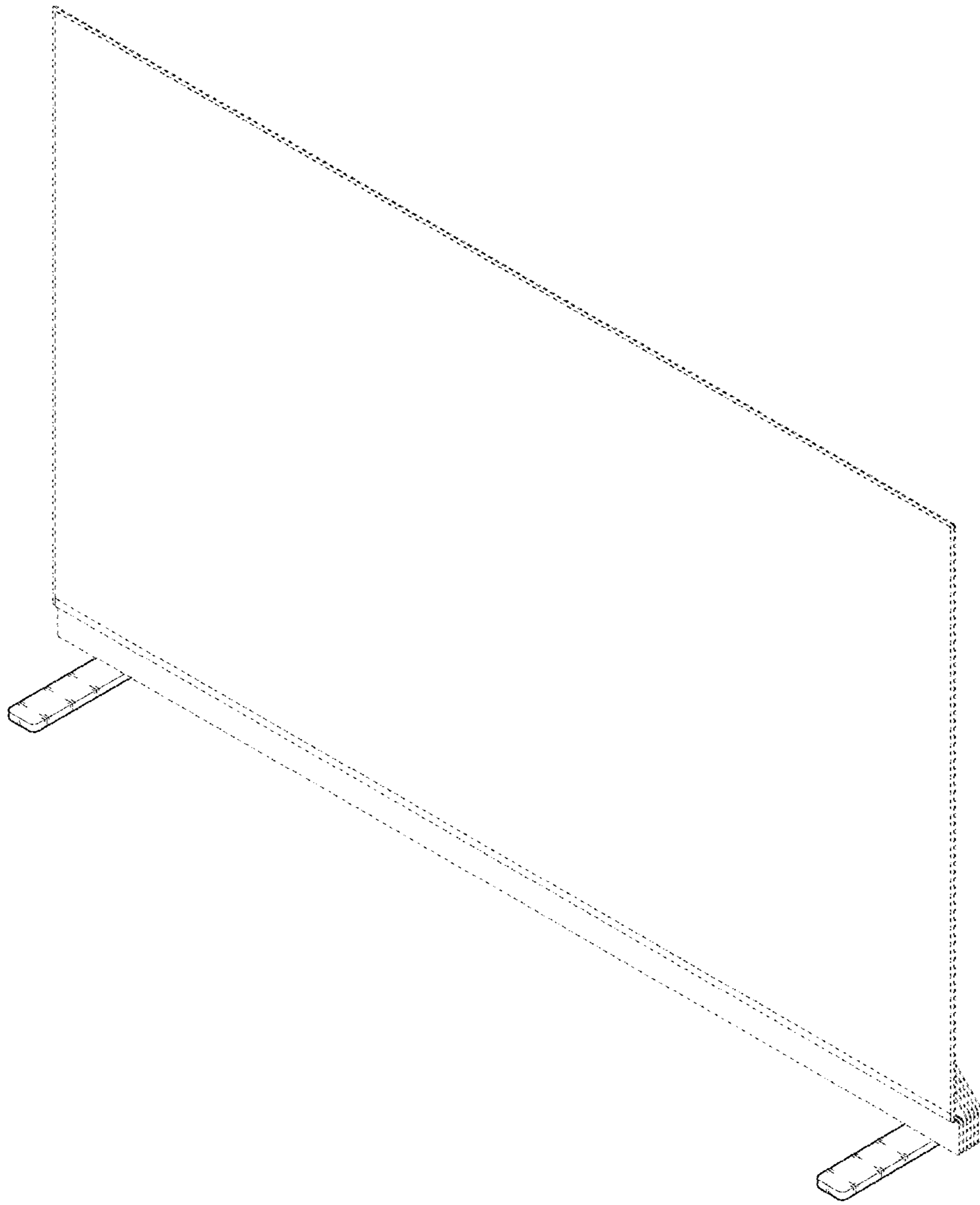


FIG. 9

