



US00D778885S

(12) **United States Design Patent** (10) **Patent No.:** **US D778,885 S**  
**Hochman et al.** (45) **Date of Patent:** **\*\* Feb. 14, 2017**

(54) **MODULAR VIDEO SUPPORT FRAME MEMBER**

(71) Applicant: **Revolution Display, LLC**, Glendale, CA (US)  
(72) Inventors: **Jeremy Hochman**, Glendale, CA (US); **Henry Ambrose**, Glendale, CA (US)  
(73) Assignee: **Revolution Display, LLC**, Glendale, CA (US)  
(\*\*) Term: **15 Years**

(21) Appl. No.: **29/527,350**

(22) Filed: **May 18, 2015**

(51) **LOC (10) Cl.** ..... **14-03**

(52) **U.S. Cl.**  
USPC ..... **D14/239**

(58) **Field of Classification Search**  
USPC ..... D14/125-134, 239, 371, 136, 374-377, D14/440, 450, 448, 336, 342; 312/7.2; 348/836, 838, 180, 184, 325, 739; 341/12; 248/917-924, 465, 309.2; 345/104, 133, 156, 168, 87, 173; 720/605, 720/669, 600, 655; 369/99, 197; 455/344, 455/347; D21/329, 515, D21/577, 622, D21/333, 433, 448, 452, 450, 331; D6/477, 479, 300; 273/148 B; 446/484, 446/175, 356; D10/15, 26; 361/801, 802, 361/754, 728; 257/88

(Continued)

(56) **References Cited**

**U.S. PATENT DOCUMENTS**

212,335 A 2/1879 Schwartz  
D289,115 S 4/1987 Spicer

(Continued)

**FOREIGN PATENT DOCUMENTS**

CN 201182417 Y 1/2009  
JP S60162124 A 8/1985

**OTHER PUBLICATIONS**

[http://www.kinoflo.com/Products%20Button/LED/Celeb%20400%20DMX/Celeb400\\_DMX.html](http://www.kinoflo.com/Products%20Button/LED/Celeb%20400%20DMX/Celeb400_DMX.html) (Last viewed Oct. 30, 2015).  
(Continued)

*Primary Examiner* — Randall Gholson  
(74) *Attorney, Agent, or Firm* — Downs Rachlin Martin PLLC

(57) **CLAIM**

The ornamental design for a modular video support frame member, as shown and described.

**DESCRIPTION**

FIG. 1 is a front perspective view of a modular video support frame member, the modular video support frame member having a plurality of mounting flanges shown in a first position;  
FIG. 2 is a rear perspective view thereof;  
FIG. 3 is a front view thereof;  
FIG. 4 is a top view thereof, the bottom view is a mirror image of the top view;  
FIG. 5 is a right side view thereof, the left side view is a mirror image of the right side view;  
FIG. 6 is a rear view thereof;  
FIG. 7 is an enlarged view of a portion of FIG. 3;  
FIG. 8 is an enlarged view of a portion of FIG. 6;  
FIG. 9 is an enlarged view of a portion of FIG. 3 showing the mounting flange in a second position;  
FIG. 10 is a rear view thereof;  
FIG. 11 is an enlarged view of the portion within broken line circle labeled "FIG. 11" in FIG. 1;  
FIG. 12 is an enlarged view of the portion within broken line circle labeled "FIG. 12" in FIG. 2;  
FIG. 13 is a front perspective view of another embodiment of a modular video support frame member, the modular video support frame member having a plurality of mounting flanges shown in a first position;  
FIG. 14 is a front view thereof;  
FIG. 15 is a top view thereof, the bottom view is a mirror image of the top view;

(Continued)

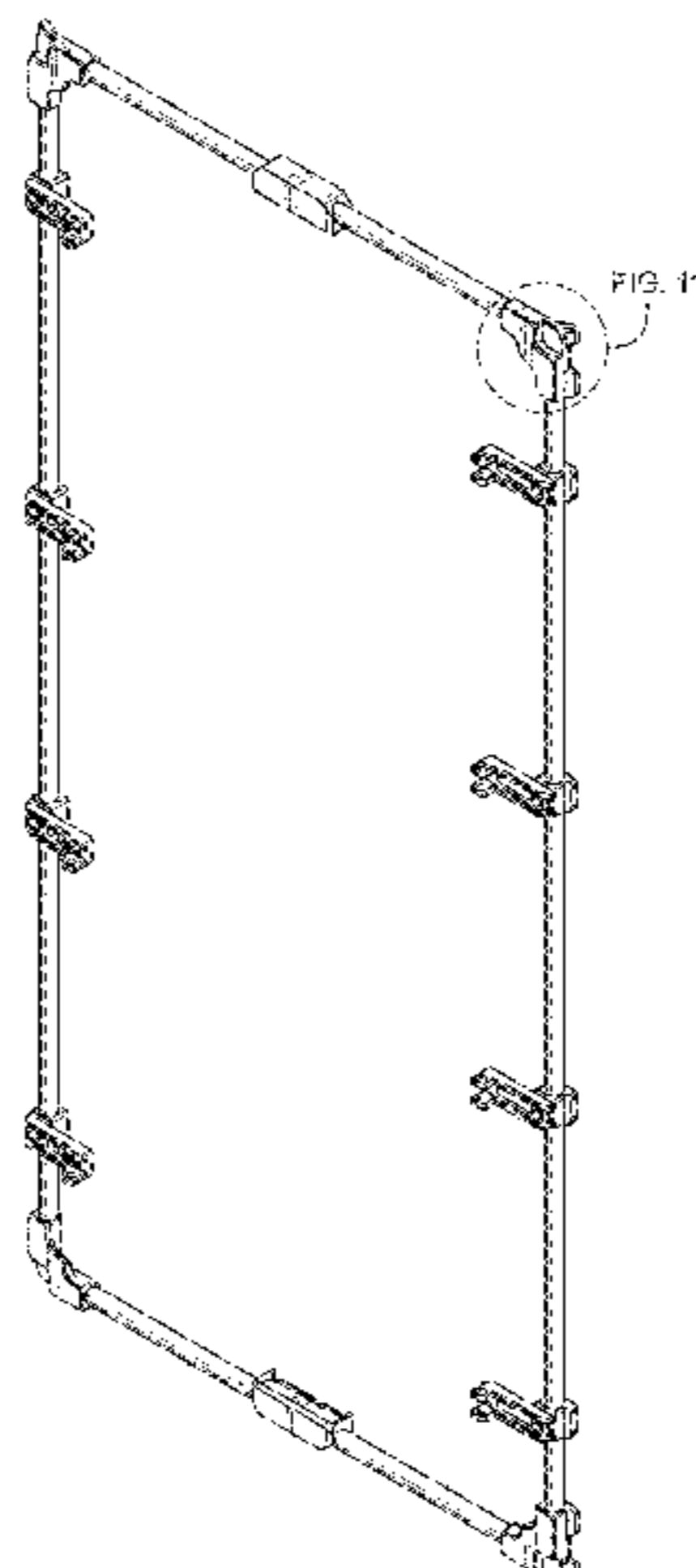


FIG. 16 is a right side view thereof, the left side view is a mirror image thereof;  
 FIG. 17 is a rear view thereof;  
 FIG. 18 is an enlarged view of a portion of FIG. 14;  
 FIG. 19 is an enlarged view of a portion of FIG. 14 showing a mounting flange in a second position; and,  
 FIG. 20 is an enlarged view of the portion within broken line circle labeled "FIG. 20" in FIG. 13.  
 The broken lines in the Figures are for the purpose of illustrating unclaimed portions of the modular video support frame member and form no part of the claimed design.  
 The shade lines in the Figures show contour and not surface ornamentation.

**1 Claim, 17 Drawing Sheets**

(58) **Field of Classification Search**

CPC ..... H04N 1/00; G09F 9/301  
 See application file for complete search history.

(56) **References Cited**

U.S. PATENT DOCUMENTS

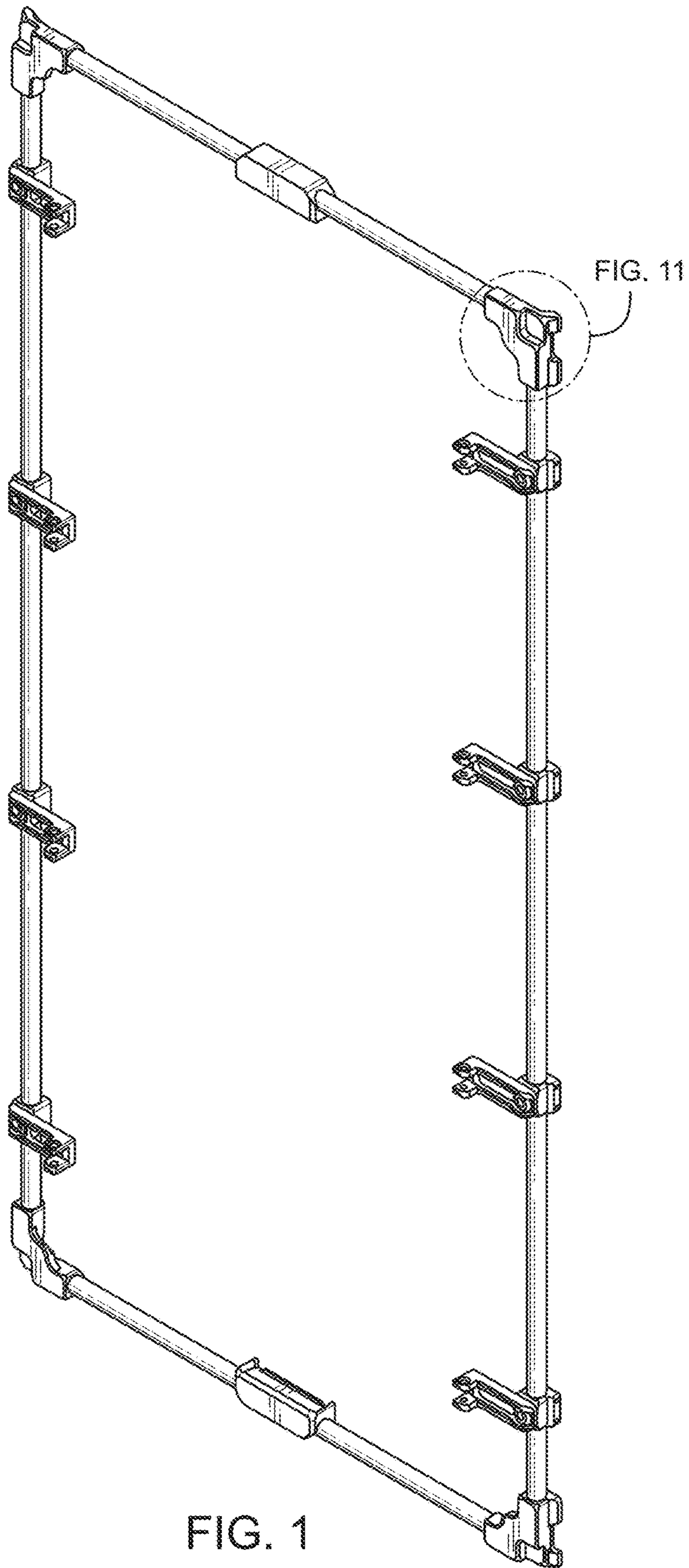
5,452,811	A *	9/1995	Taravella .....	B65D 21/0211	211/10
5,626,406	A	5/1997	Schmid		
5,799,429	A	9/1998	Speshyock		
6,065,854	A	5/2000	West et al.		
D447,045	S	8/2001	Hundley		
6,647,652	B1	11/2003	Seiber et al.		
7,581,343	B1	9/2009	Baxter		
7,604,481	B2	10/2009	Owen et al.		
7,605,772	B2 *	10/2009	Syrstad .....	G09F 9/3026	315/169.3
D637,025	S	5/2011	Colin		
D639,448	S	6/2011	Grainger		
D670,936	S	11/2012	Davis		

D672,168	S	12/2012	Davis		
D685,307	S	7/2013	Chung		
D694,739	S	12/2013	Badillo et al.		
8,596,599	B1	12/2013	Carson et al.		
8,641,007	B2 *	2/2014	Chen .....	A47B 97/001	211/71.01
D702,670	S	4/2014	Davis		
8,693,093	B2	4/2014	Kepley, Jr.		
9,069,519	B1	6/2015	Hall		
D736,750	S	8/2015	Hochman et al.		
9,140,963	B2 *	9/2015	Corey .....	G03B 21/10	
9,162,516	B2 *	10/2015	Kang .....	B43L 1/04	
D742,366	S	11/2015	Hochman et al.		
D770,429	S *	11/2016	Hochman .....	D14/239	
2007/0000849	A1	1/2007	Lutz et al.		
2010/0109351	A1	5/2010	Woody et al.		
2010/0243843	A1	9/2010	Tait et al.		

OTHER PUBLICATIONS

[http://www.kinoflo.com/Products%20Button/LED/Celeb%20400Q%20DMX/Celeb\\_400Q\\_DMX.html](http://www.kinoflo.com/Products%20Button/LED/Celeb%20400Q%20DMX/Celeb_400Q_DMX.html) (Last viewed on Oct. 30, 2015).  
<http://chromeglow.com/custom-dynamics/> (Last viewed on Oct. 30, 2015).  
<http://www.slickcustoms.com/custom-dynamics-chrome-led-license-plate-frames.html> (Last viewed Oct. 30, 2015).  
<http://www.thinkstockphotos.in/image/stock-illustration-gothic-style-black-ornamental/512801789> (Last viewed on Oct. 30, 2015).  
[www.aliexpress.com/store/product/6Meter-2590F2-LED-Display-Panel-Aluminium-Frame-4Pcs-2590F2-Straight-Corner/124897\\_32279028240.html+%&cd=1&hl=en&ct=cInk&gl=in](http://www.aliexpress.com/store/product/6Meter-2590F2-LED-Display-Panel-Aluminium-Frame-4Pcs-2590F2-Straight-Corner/124897_32279028240.html+%&cd=1&hl=en&ct=cInk&gl=in) (Last viewed Oct. 30, 2015).  
<http://www.shutterstock.com/pic-158505119/stock-vector-collection-of-old-photo-corners-frames-and-edges-in-vector-isolated-on-white.html> (Last viewed Oct. 30, 2015).  
<http://www.dreamstime.com/stock-photo-old-paper-sheets-book-vintage-photo-frames-corners-antiqu-antique-clipboard-isolated-white-background-image54805302> (Last viewed Nov. 2, 2015).

\* cited by examiner



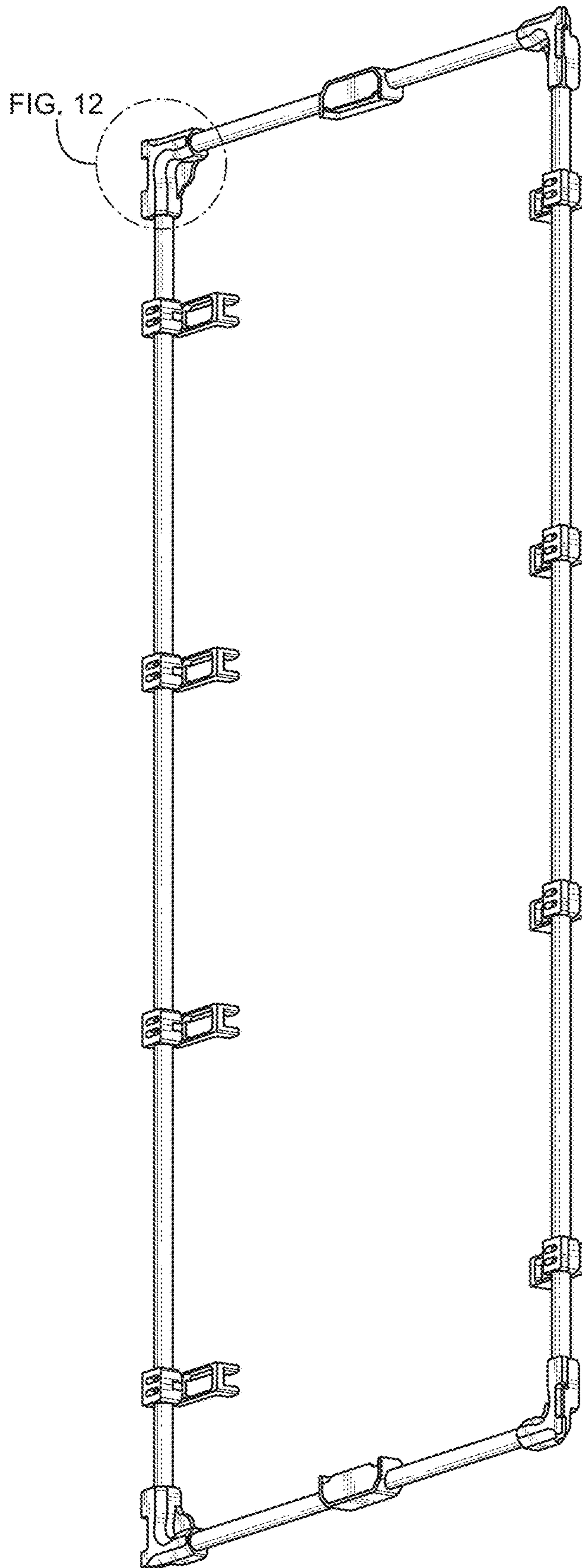


FIG. 2

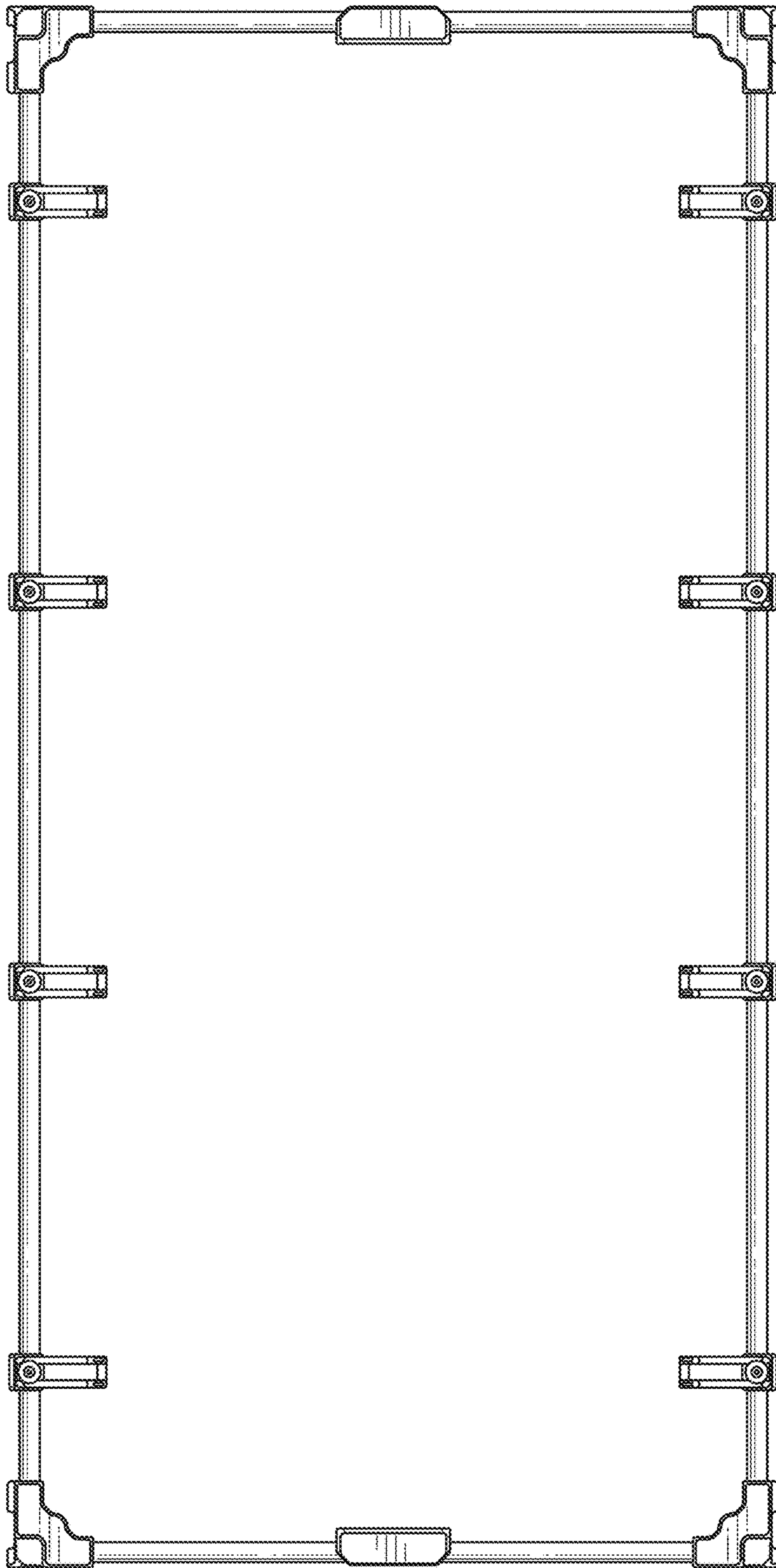


FIG. 3



FIG. 4

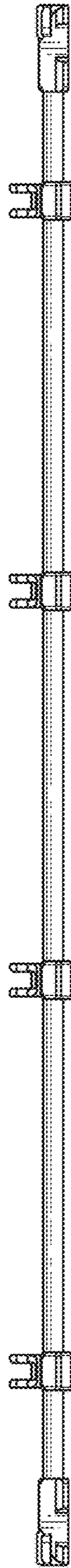


FIG. 5

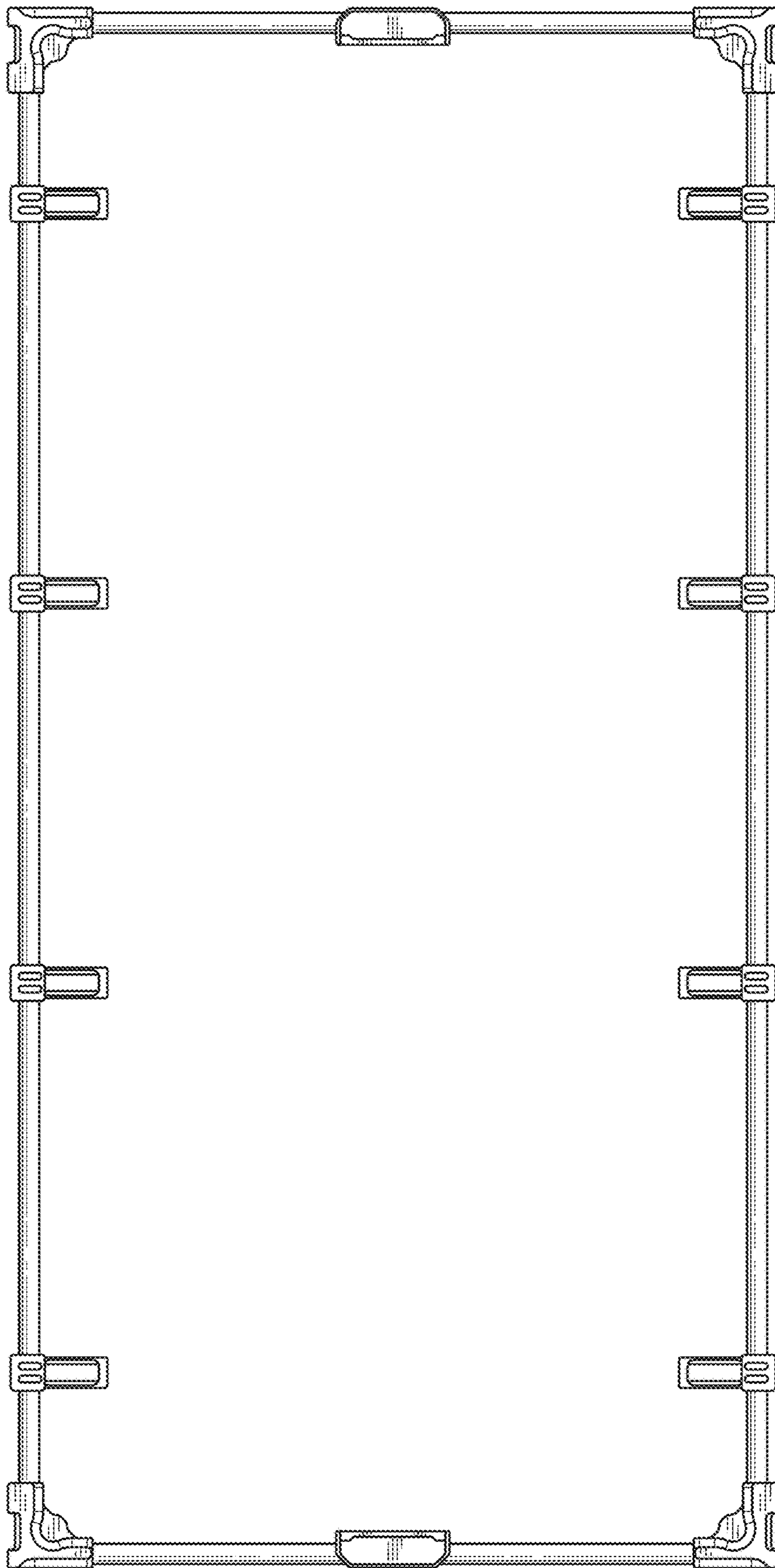
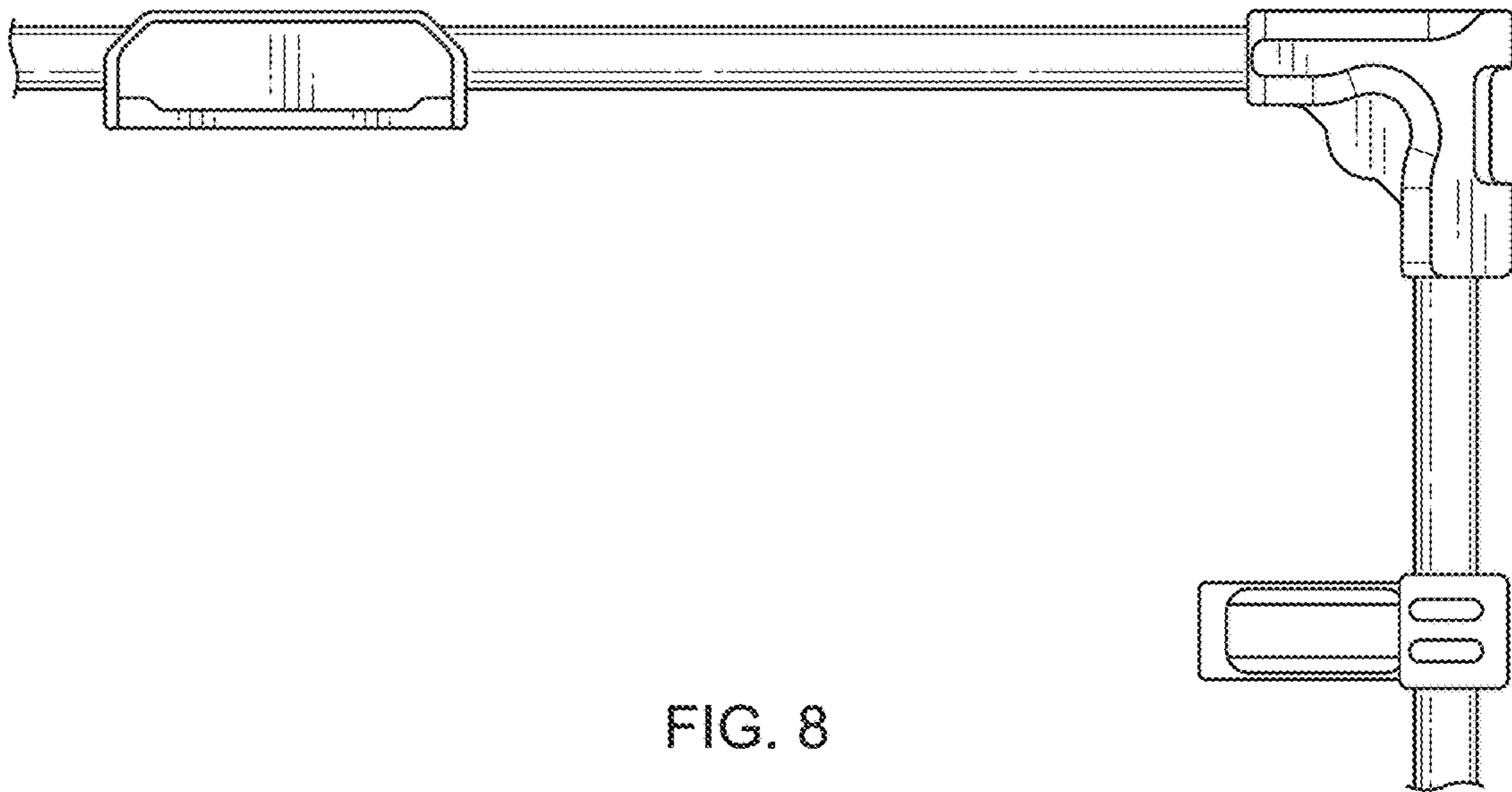
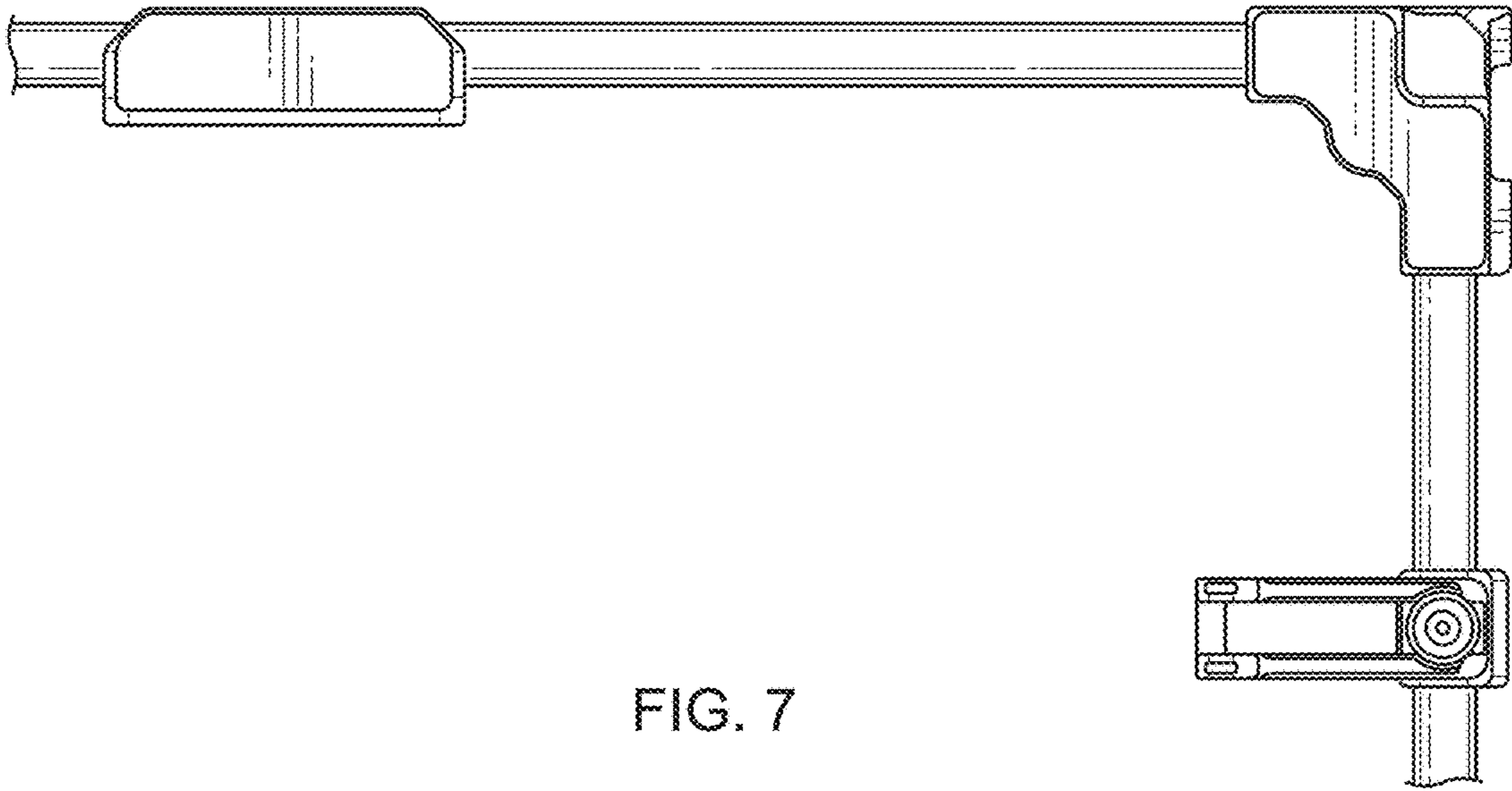


FIG. 6





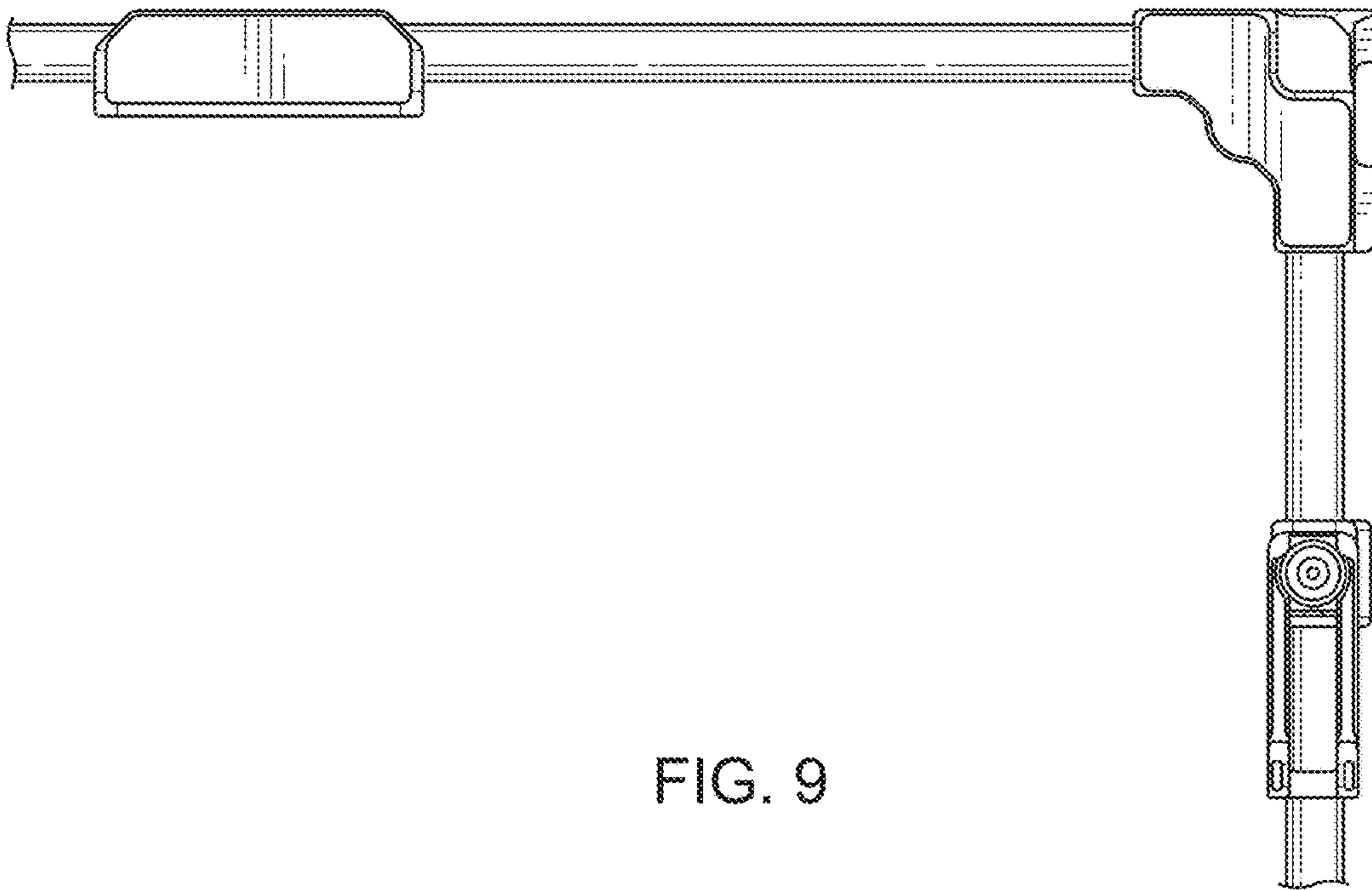


FIG. 9

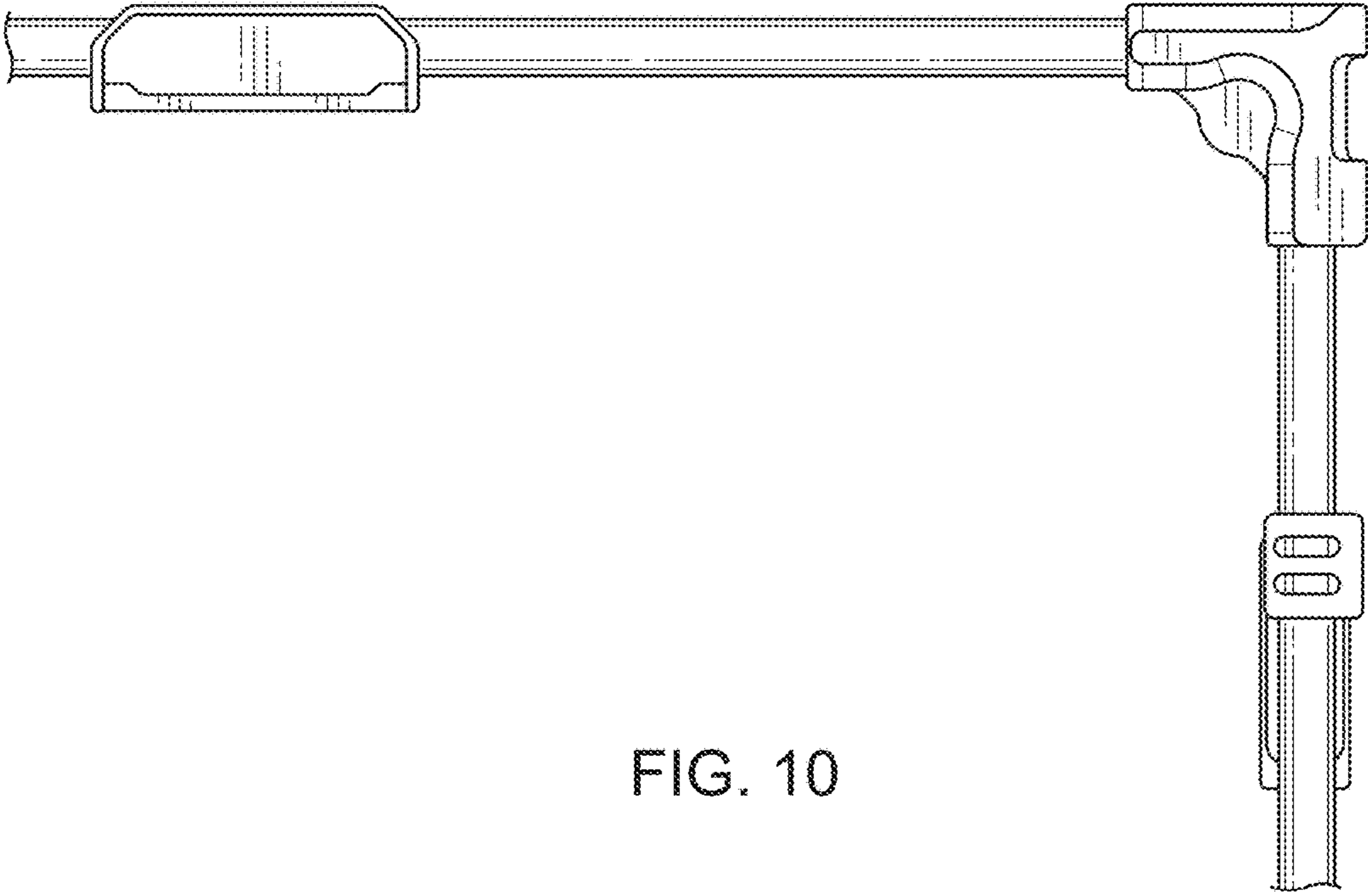


FIG. 10

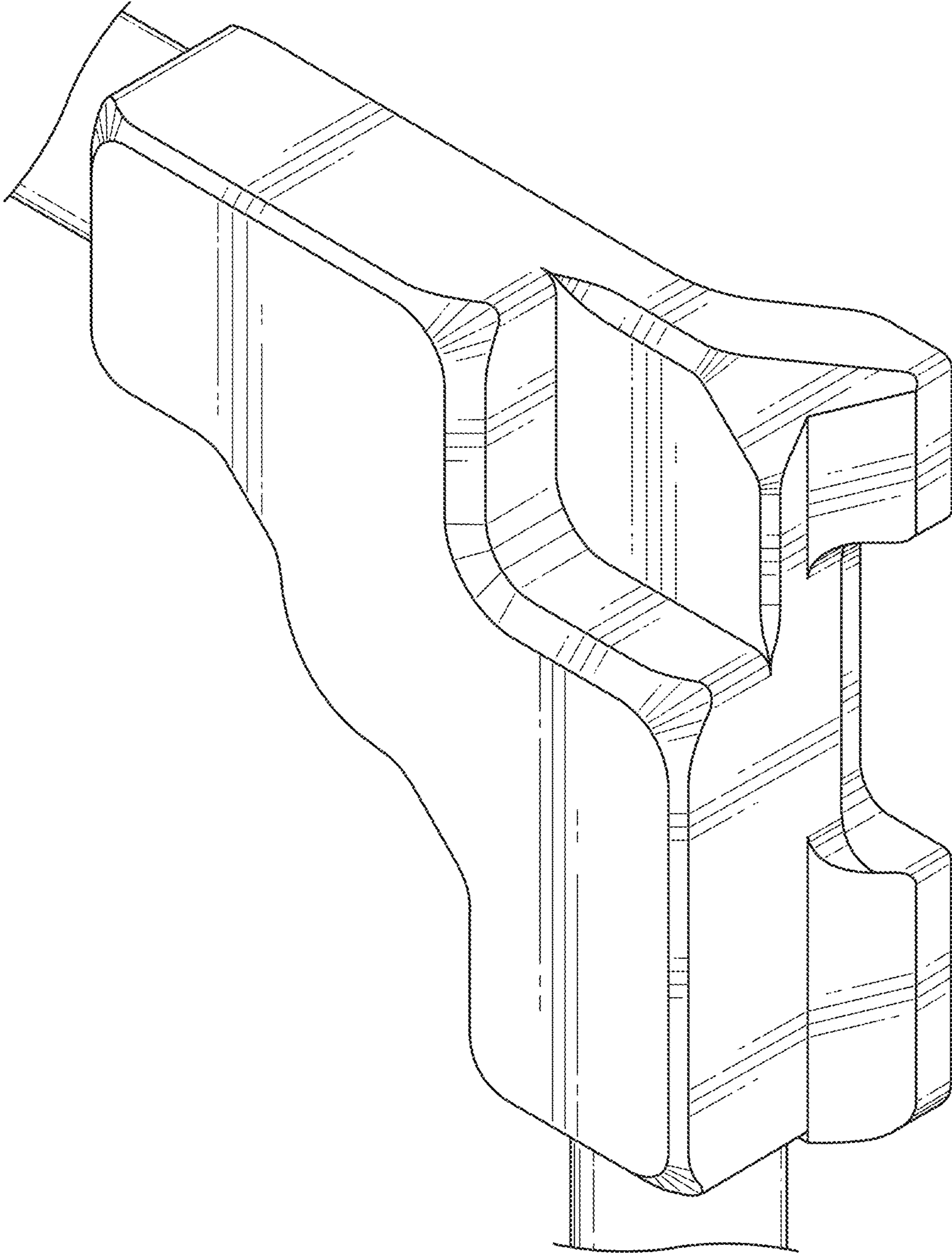


FIG. 11

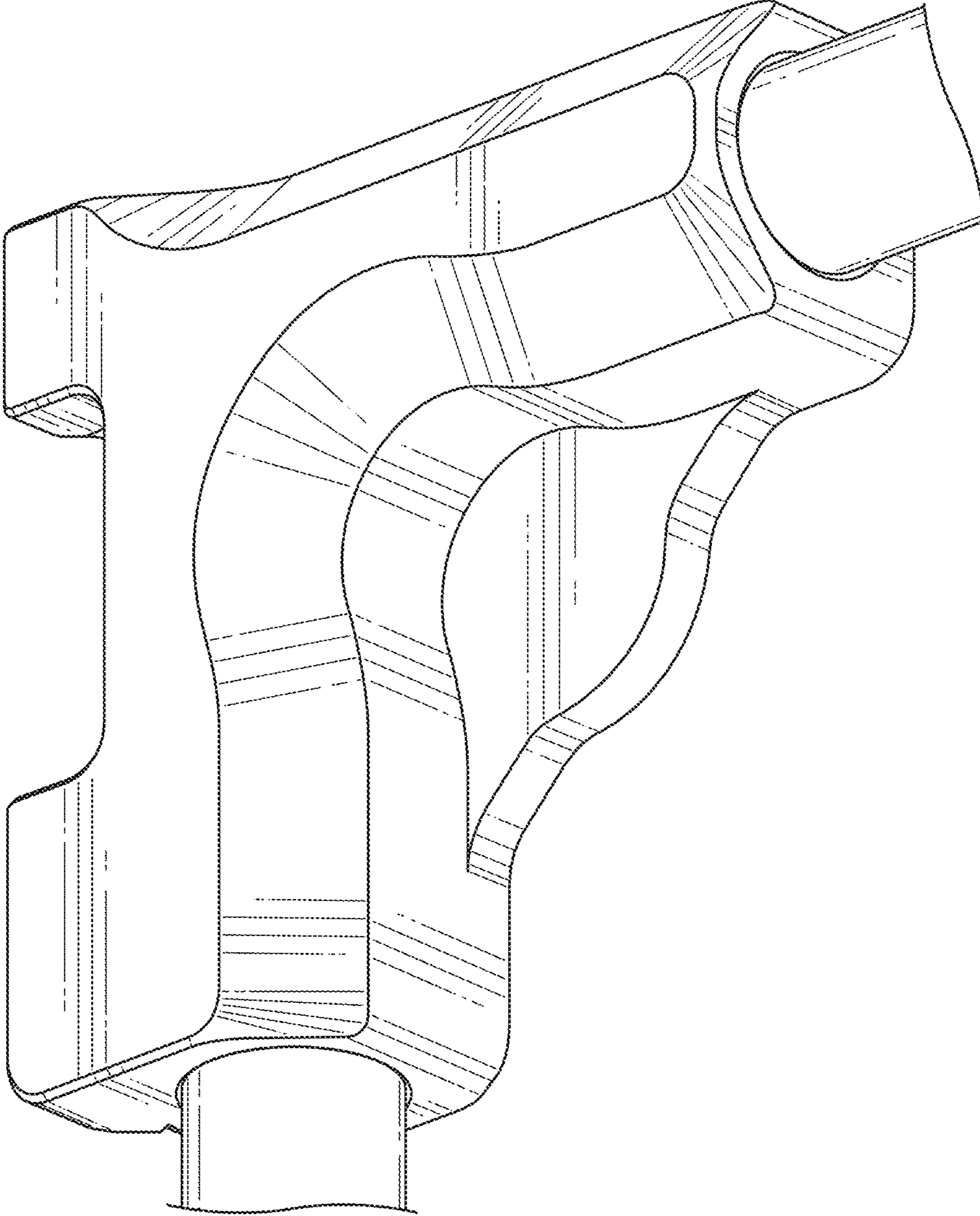
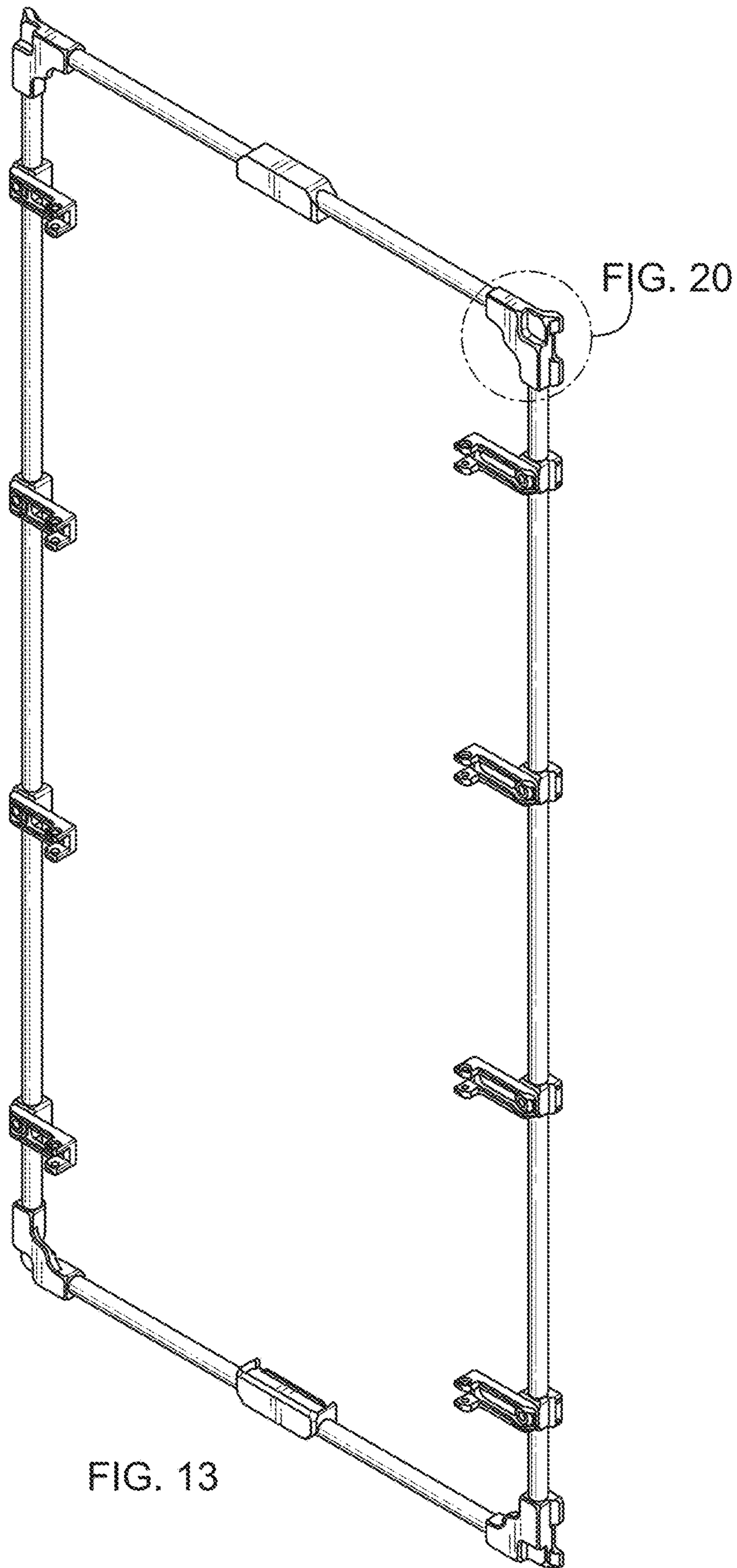


FIG. 12



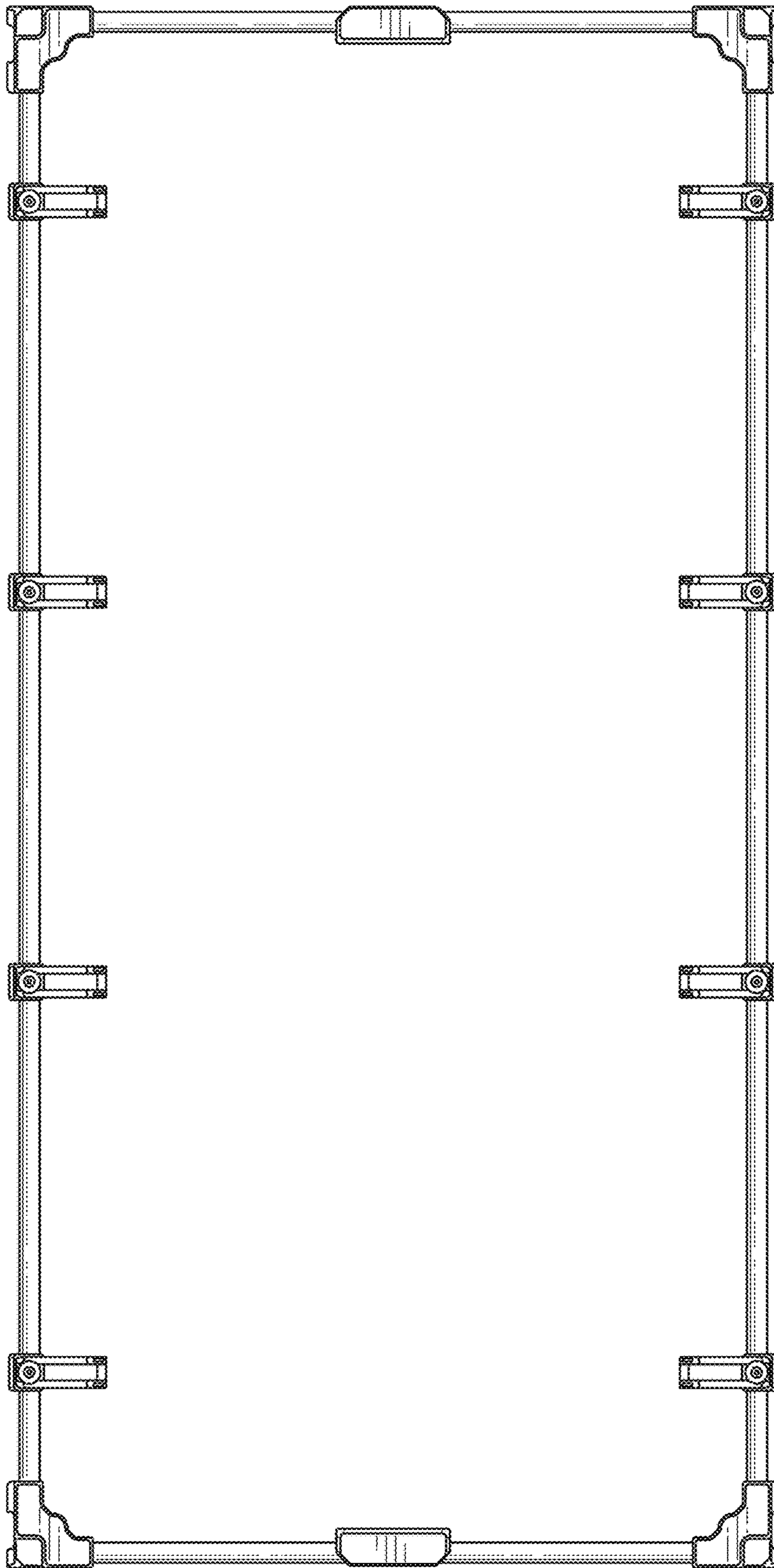


FIG. 14

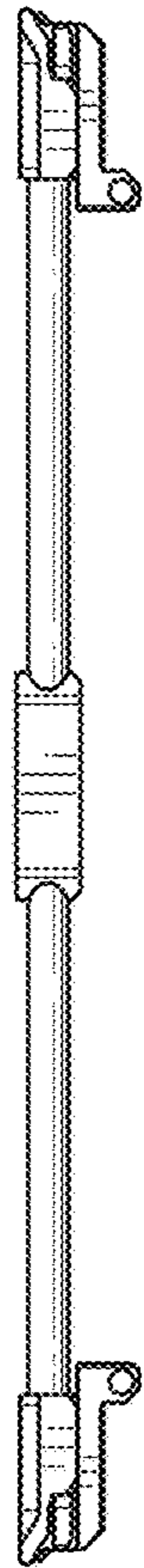


FIG. 15

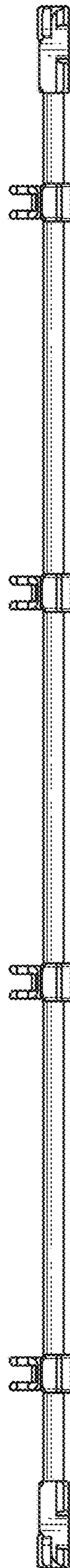


FIG. 16

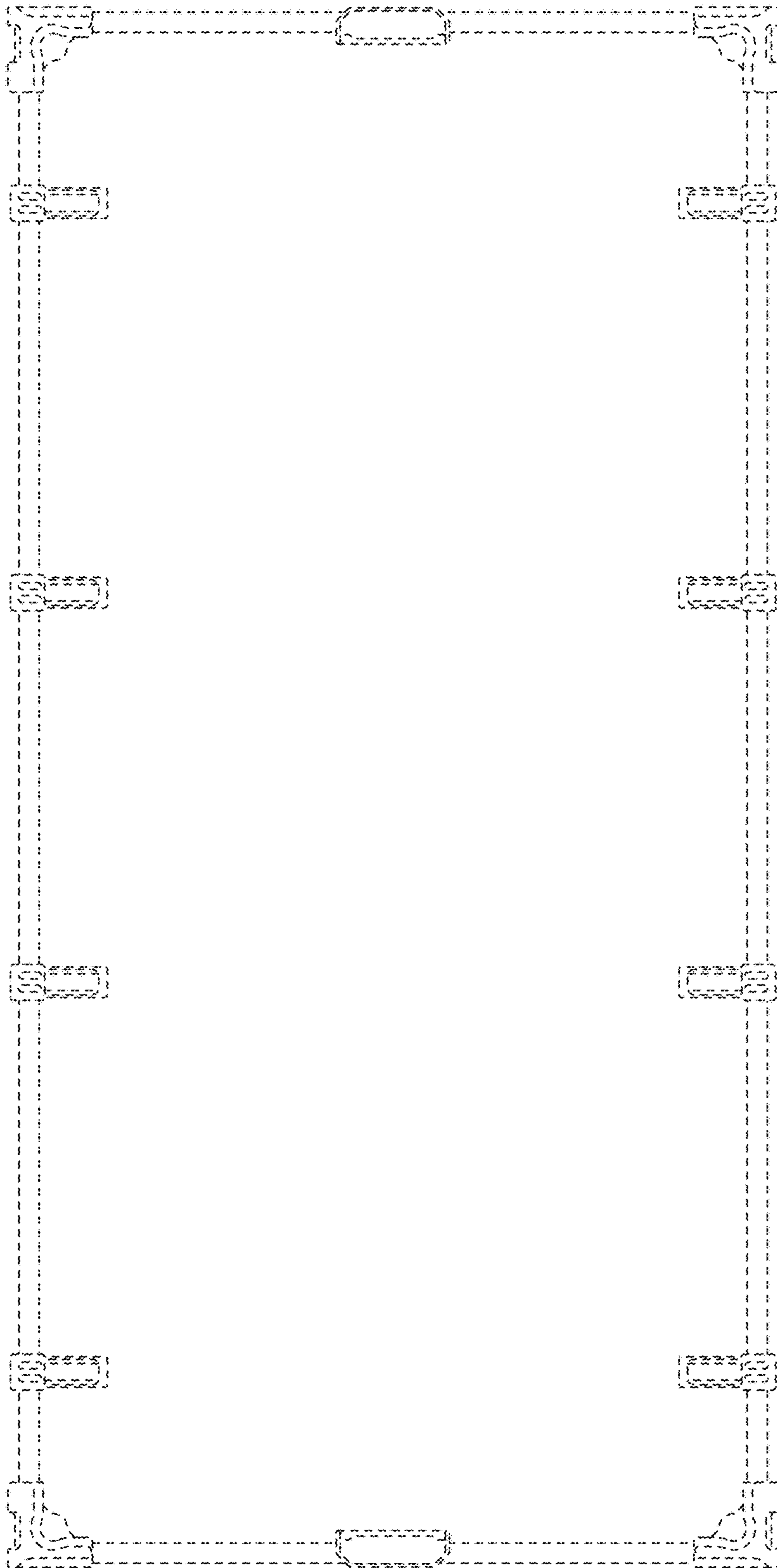


FIG. 17



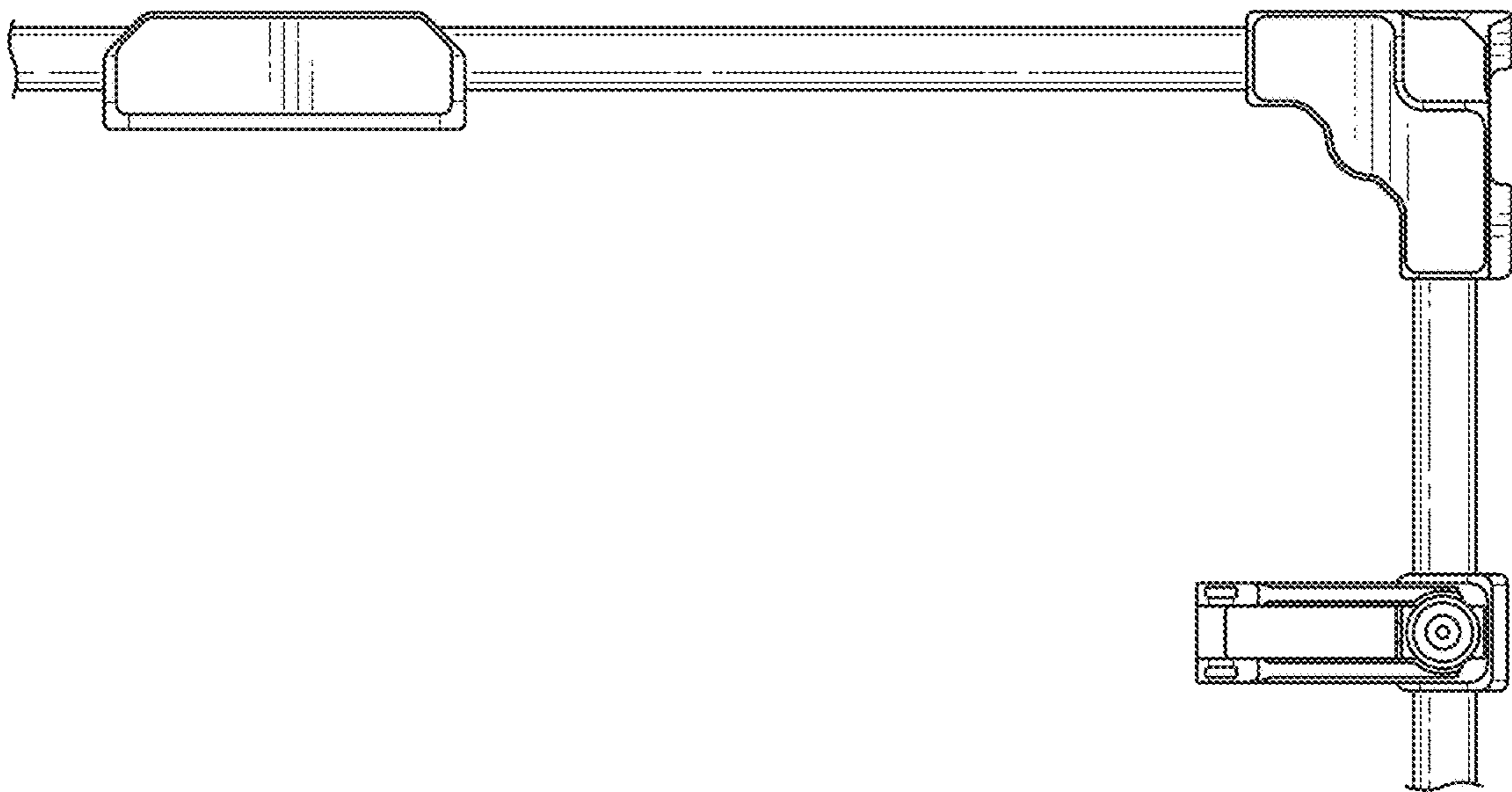


FIG. 18

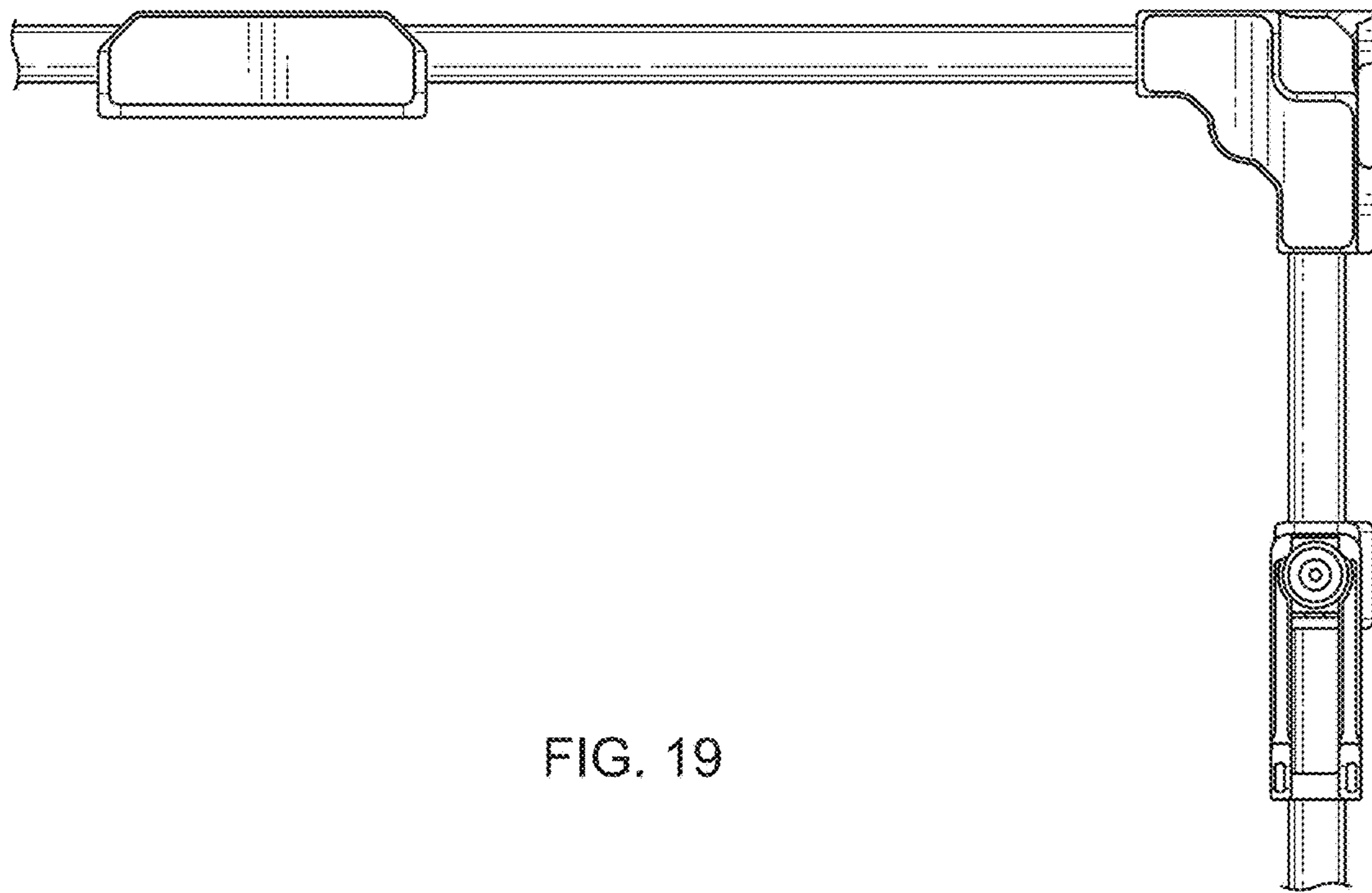


FIG. 19

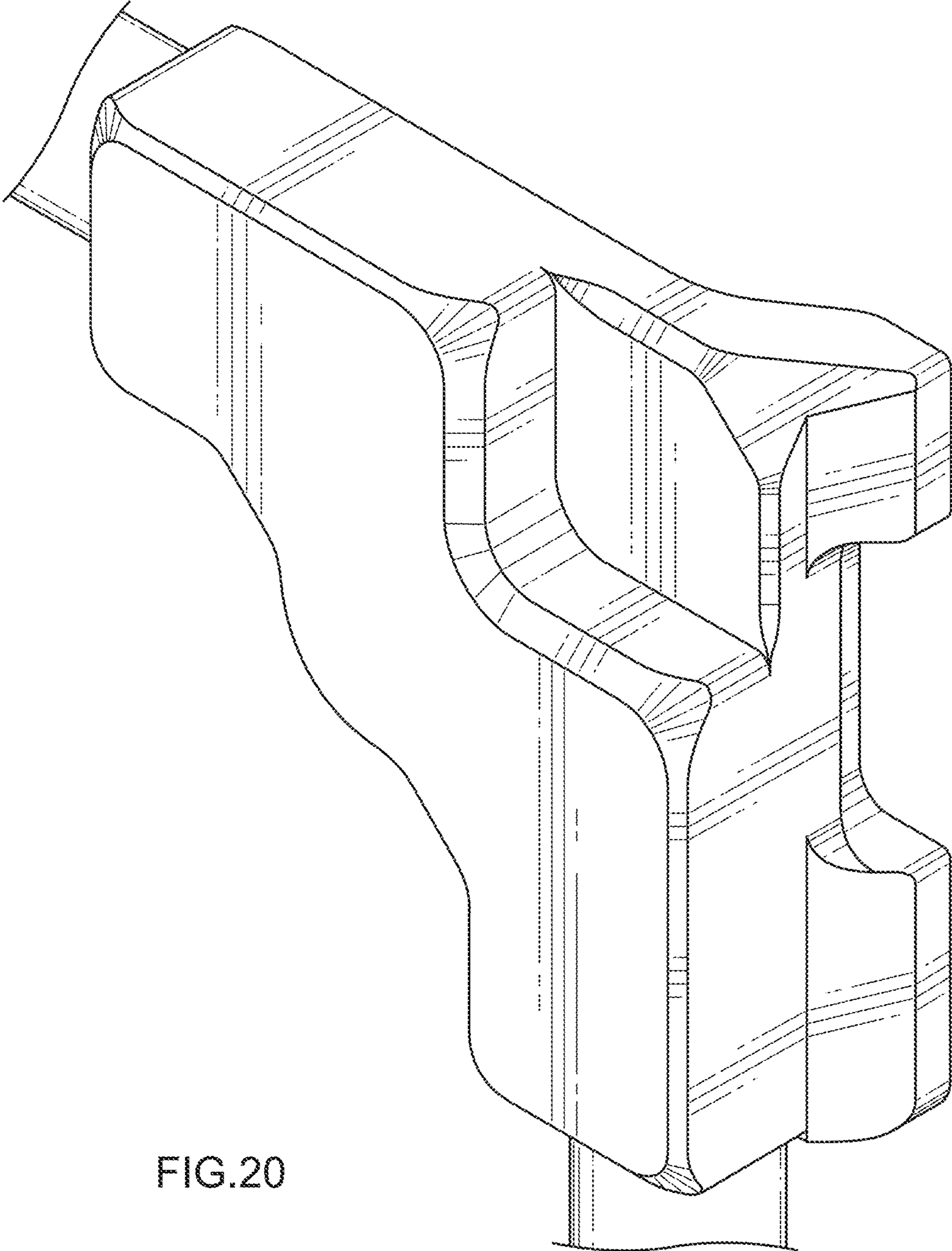


FIG. 20