



US00D778884S

(12) **United States Design Patent**  
**Taptic et al.**

(10) **Patent No.:** **US D778,884 S**

(45) **Date of Patent:** **\*\* Feb. 14, 2017**

- (54) **ANTENNA BALL JOINT MOUNT**
- (71) Applicant: **RF Elements s.r.o.**, Bratislava (SK)
- (72) Inventors: **Juraj Taptic**, Zalesie (SK); **Martin Marcincak**, Jasenov (SK)
- (73) Assignee: **RF Elements s.r.o.**, Bratislava (SK)
- (\*\*) Term: **14 Years**
- (21) Appl. No.: **29/489,196**
- (22) Filed: **Apr. 28, 2014**
- (51) **LOC (10) Cl.** ..... **08-08**
- (52) **U.S. Cl.**  
USPC ..... **D14/238**
- (58) **Field of Classification Search**  
USPC ..... D14/230–238, 299, 358; D8/353, 354,  
D8/363, 381, 373  
CPC ..... H01Q 7/00; H01Q 13/10; H01Q 9/285;  
H01Q 19/30; H01Q 19/12; H01Q 1/38;  
H05K 11/00; F16M 11/10; F21V 21/30  
See application file for complete search history.

(56) **References Cited**

**U.S. PATENT DOCUMENTS**

3,019,041	A	1/1962	Scheublein, Jr. et al.
3,241,144	A	3/1966	Berger
3,512,162	A	5/1970	Siebold et al.
3,898,666	A	8/1975	Massa
3,987,452	A	10/1976	Godet
4,157,876	A	6/1979	DiGiulio
4,515,336	A	5/1985	Fischer
4,755,830	A	7/1988	Plunk
5,402,139	A	3/1995	Maeshima
5,790,910	A	8/1998	Haskin
5,835,068	A	11/1998	Paul et al.
5,867,132	A	2/1999	Blasing et al.
6,045,103	A	4/2000	Costa et al.
6,535,177	B1	3/2003	Dhellemmes et al.

6,664,937	B2	12/2003	Vermette et al.	
6,911,950	B2	6/2005	Harron	
D521,850	S *	5/2006	Richter	D8/354
7,142,168	B1	11/2006	Sinclair	
7,265,732	B2	9/2007	Lin	
7,296,771	B2 *	11/2007	Kalis	B60R 11/0258 248/205.5
D565,937	S *	4/2008	Tsai	D6/550
7,439,930	B2	10/2008	Bury	
D588,903	S *	3/2009	Carnevali	D8/355

(Continued)

*Primary Examiner* — John Windmuller

(74) *Attorney, Agent, or Firm* — Ohlandt, Greeley,  
Ruggiero & Perle, L.L.P.

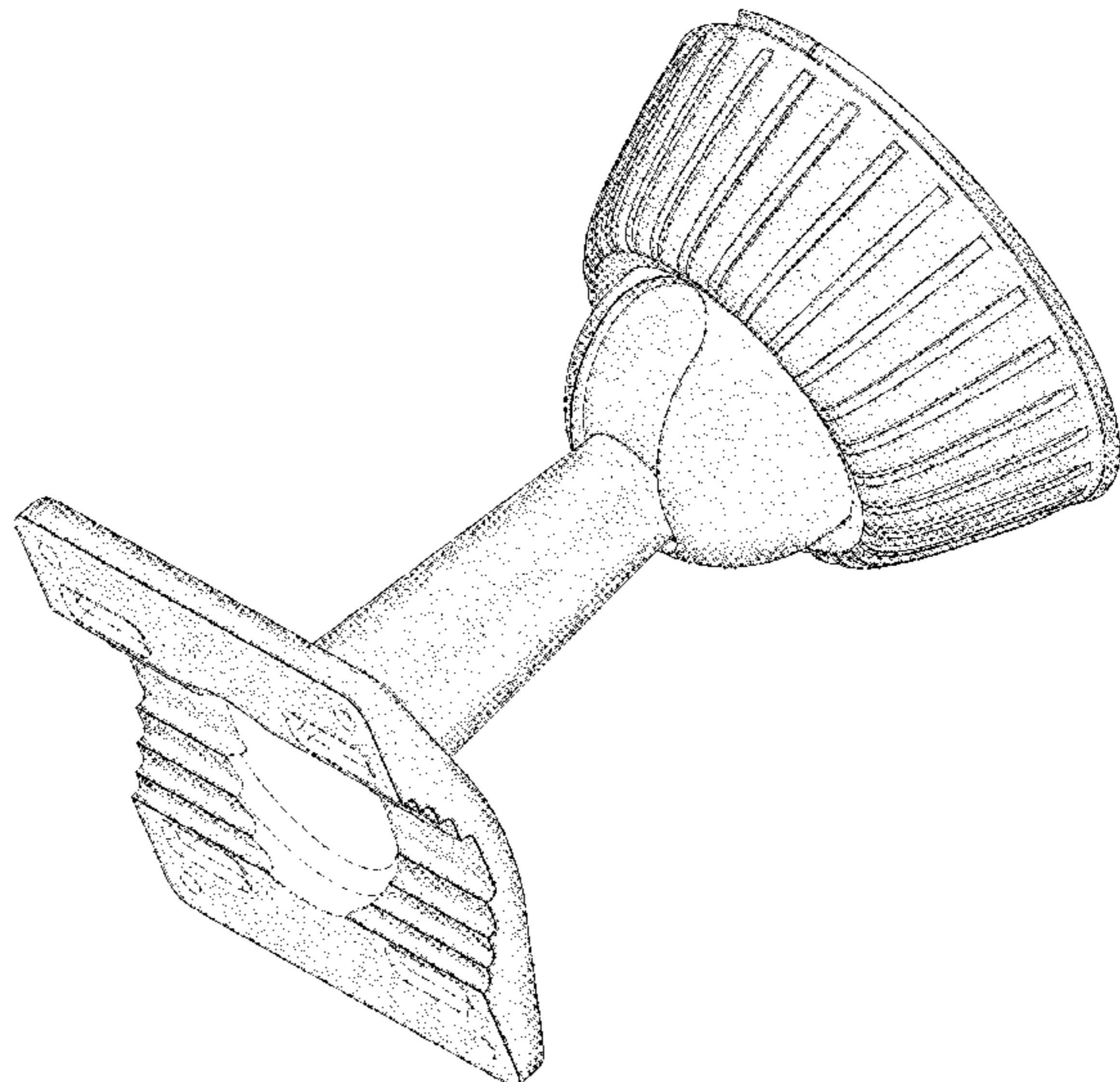
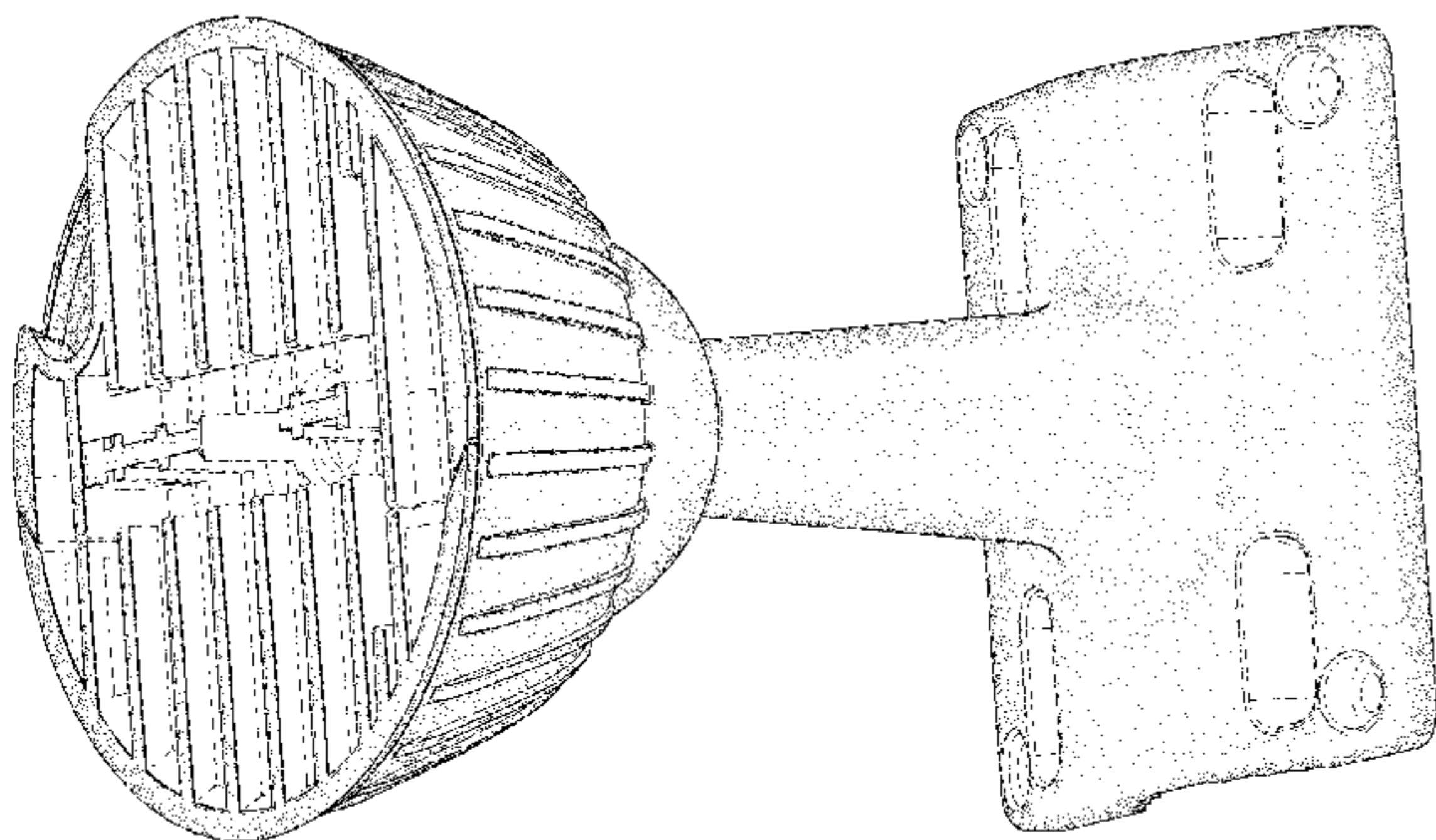
(57) **CLAIM**

The ornamental design for an antenna ball joint mount, as shown and described.

**DESCRIPTION**

FIG. 1 is a front perspective view of an antenna ball joint mount according to the present disclosure;  
 FIG. 2 is a rear perspective view of the antenna ball joint mount of FIG. 1;  
 FIG. 3 is a front view of the antenna ball joint mount of FIG. 1;  
 FIG. 4 is a rear view of the antenna ball joint mount of FIG. 1;  
 FIG. 5 is a first side view of the antenna ball joint mount of FIG. 1;  
 FIG. 6 is a second, opposite side view of the antenna ball joint mount of FIG. 1;  
 FIG. 7 is a top view of the antenna ball joint mount of FIG. 1; and,  
 FIG. 8 is a bottom view of the antenna ball joint mount of FIG. 1.  
 The broken lines in the drawings illustrating form no part of the claimed design.

**1 Claim, 8 Drawing Sheets**



(56)

**References Cited**

U.S. PATENT DOCUMENTS

7,748,670 B1 7/2010 Veldez  
D626,541 S \* 11/2010 Kim ..... D14/253  
7,954,777 B2 6/2011 Bohm et al.  
D646,558 S \* 10/2011 Murray ..... D8/373  
D714,926 S \* 10/2014 Allen ..... D23/385  
D718,612 S \* 12/2014 McSweyn ..... D8/363  
2002/0084396 A1 7/2002 Weaver  
2003/0090820 A1 5/2003 Matsuura et al.  
2005/0024276 A1 2/2005 Izumi  
2005/0127261 A1 6/2005 Lin  
2008/0121767 A1 5/2008 Wimberley  
2008/0165076 A1 7/2008 Pan  
2010/0066633 A1 3/2010 Singer

\* cited by examiner

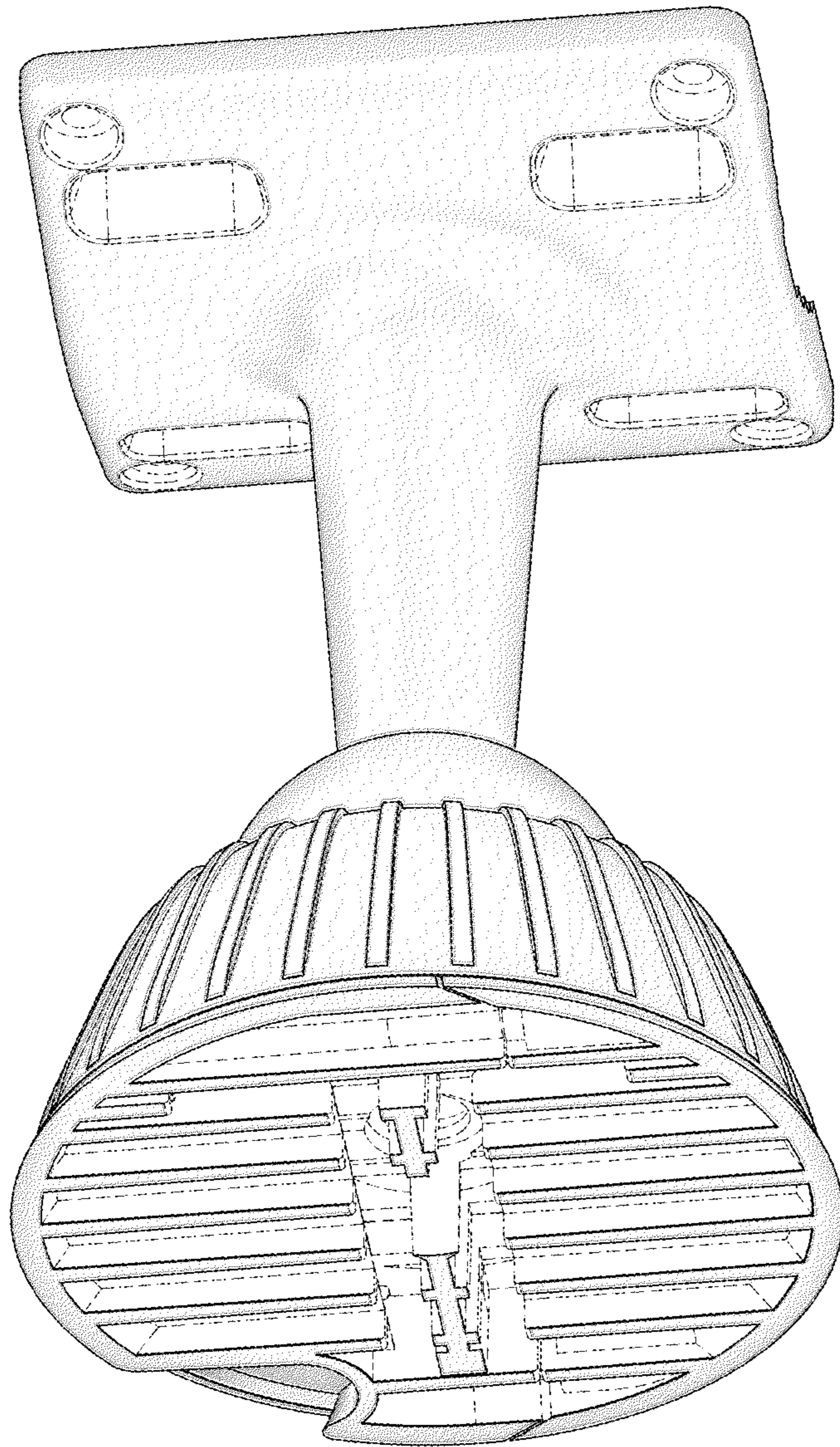


FIG. 1

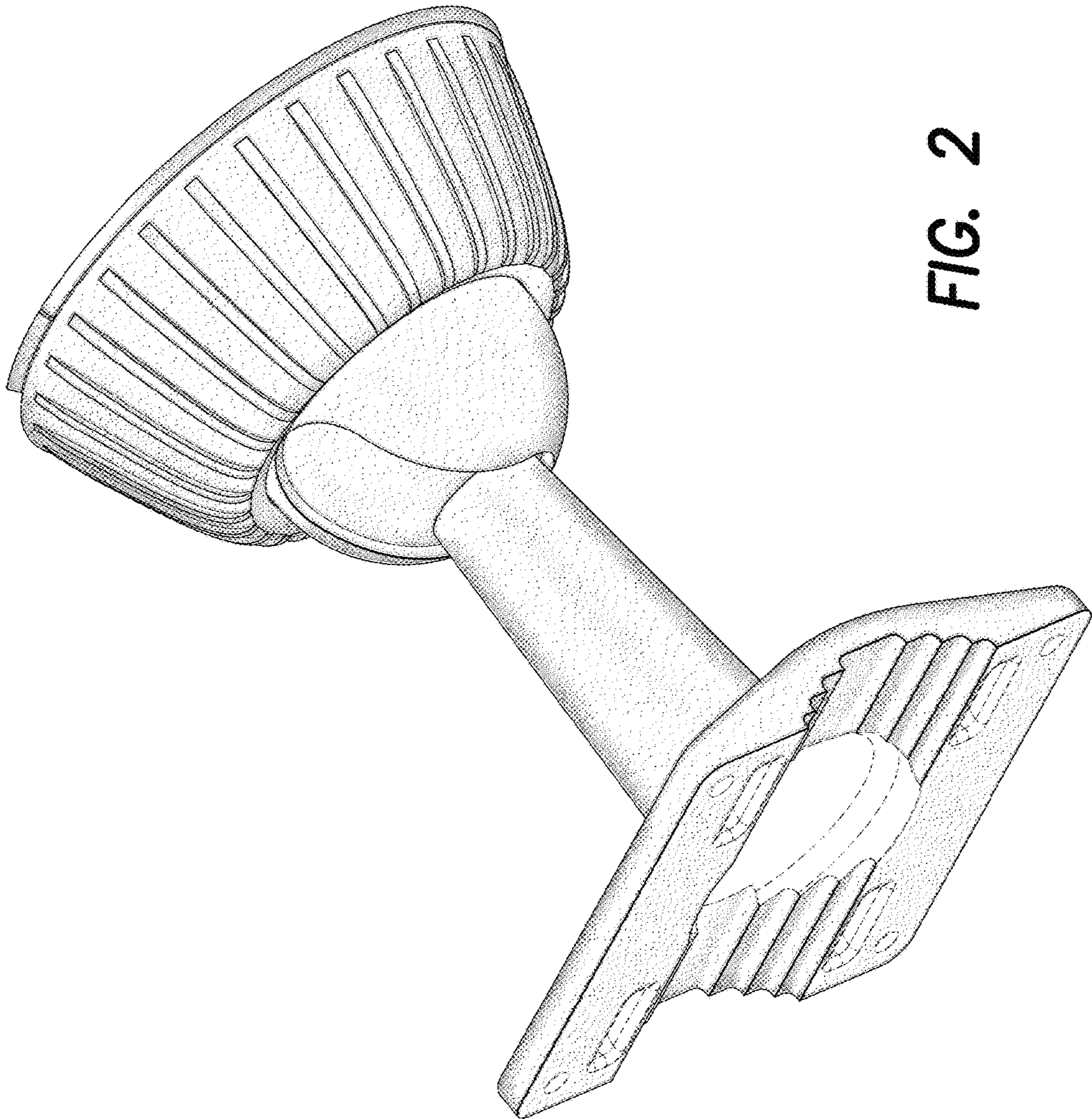


FIG. 2

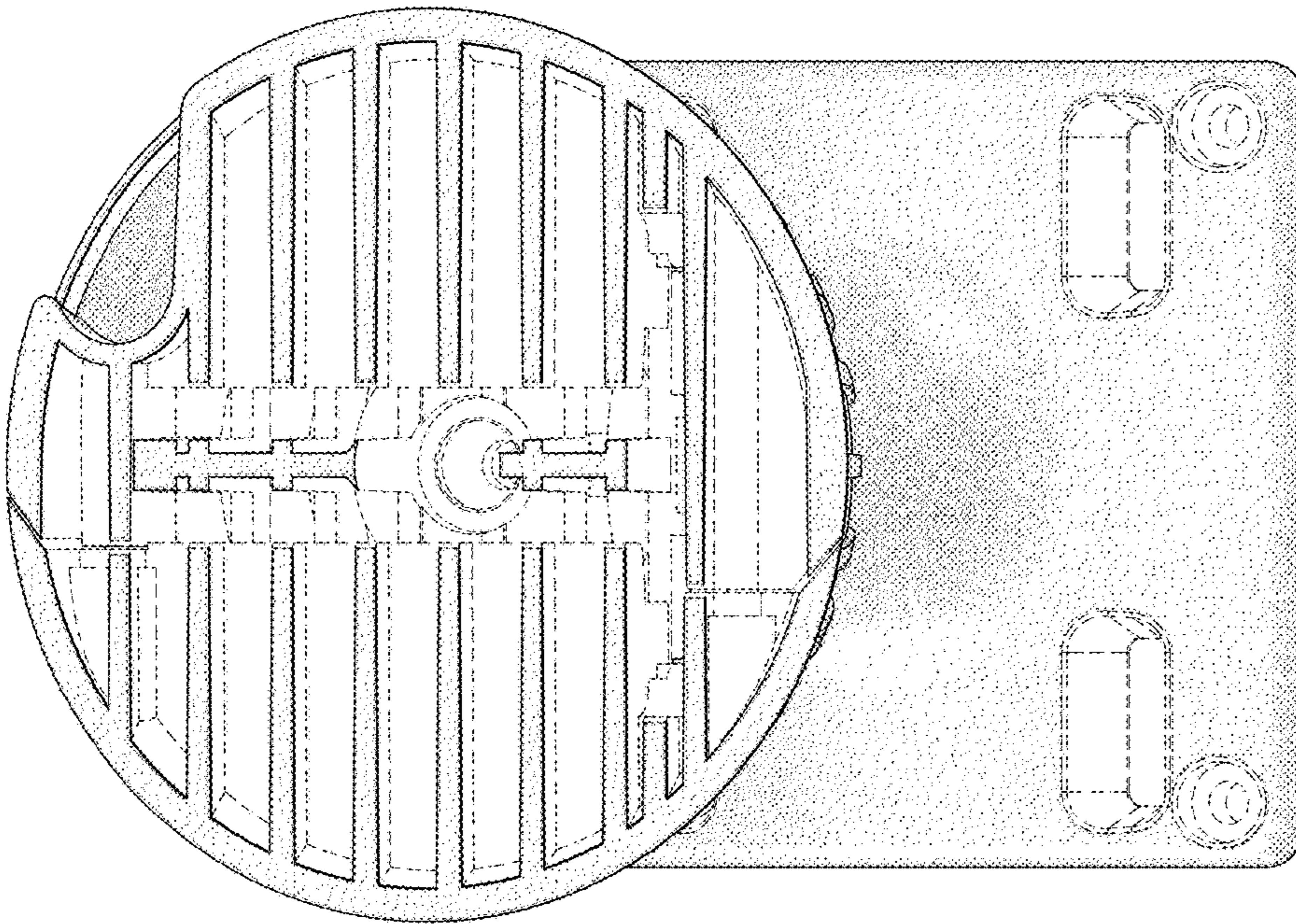
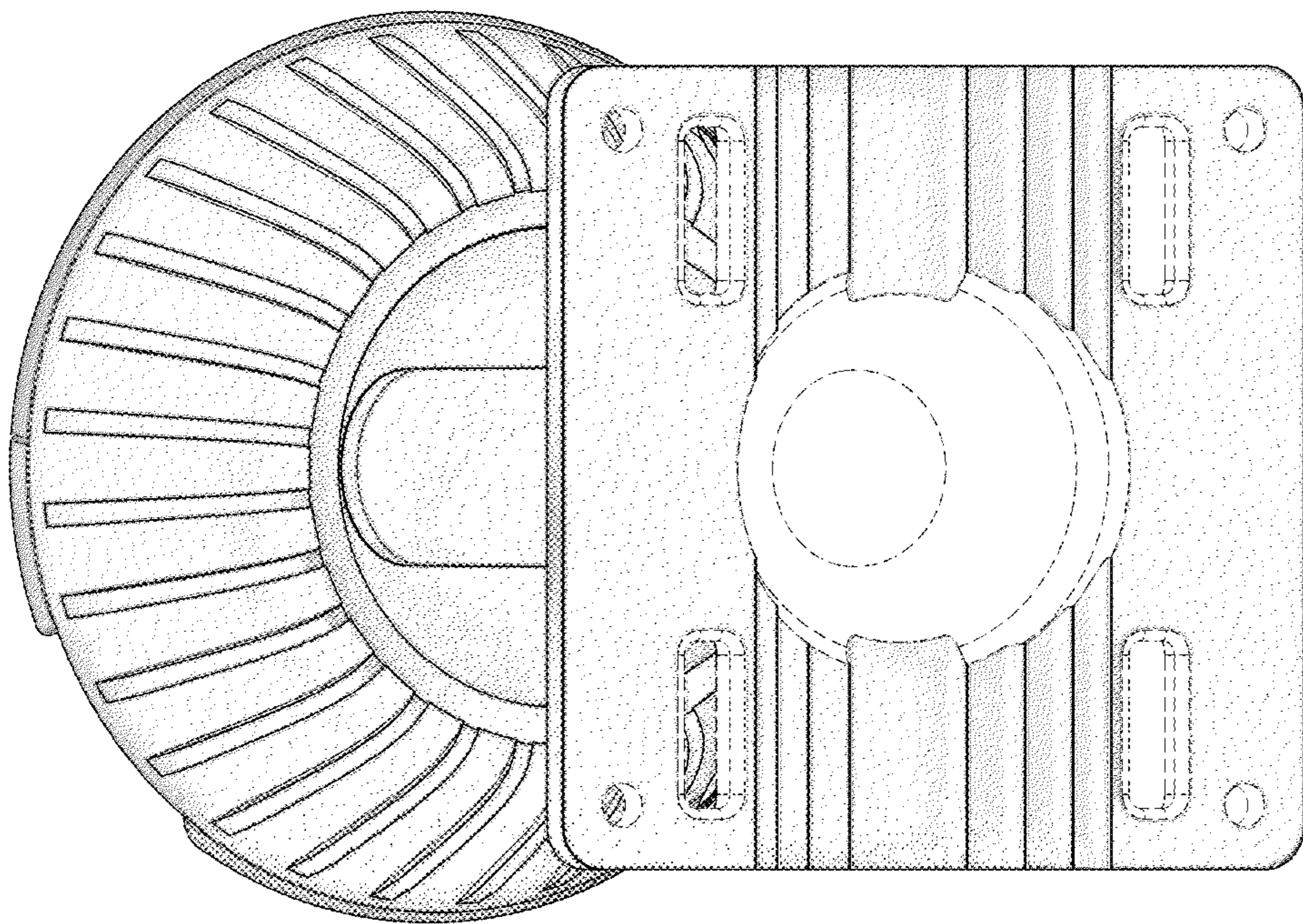


FIG. 3



**FIG. 4**



FIG. 5

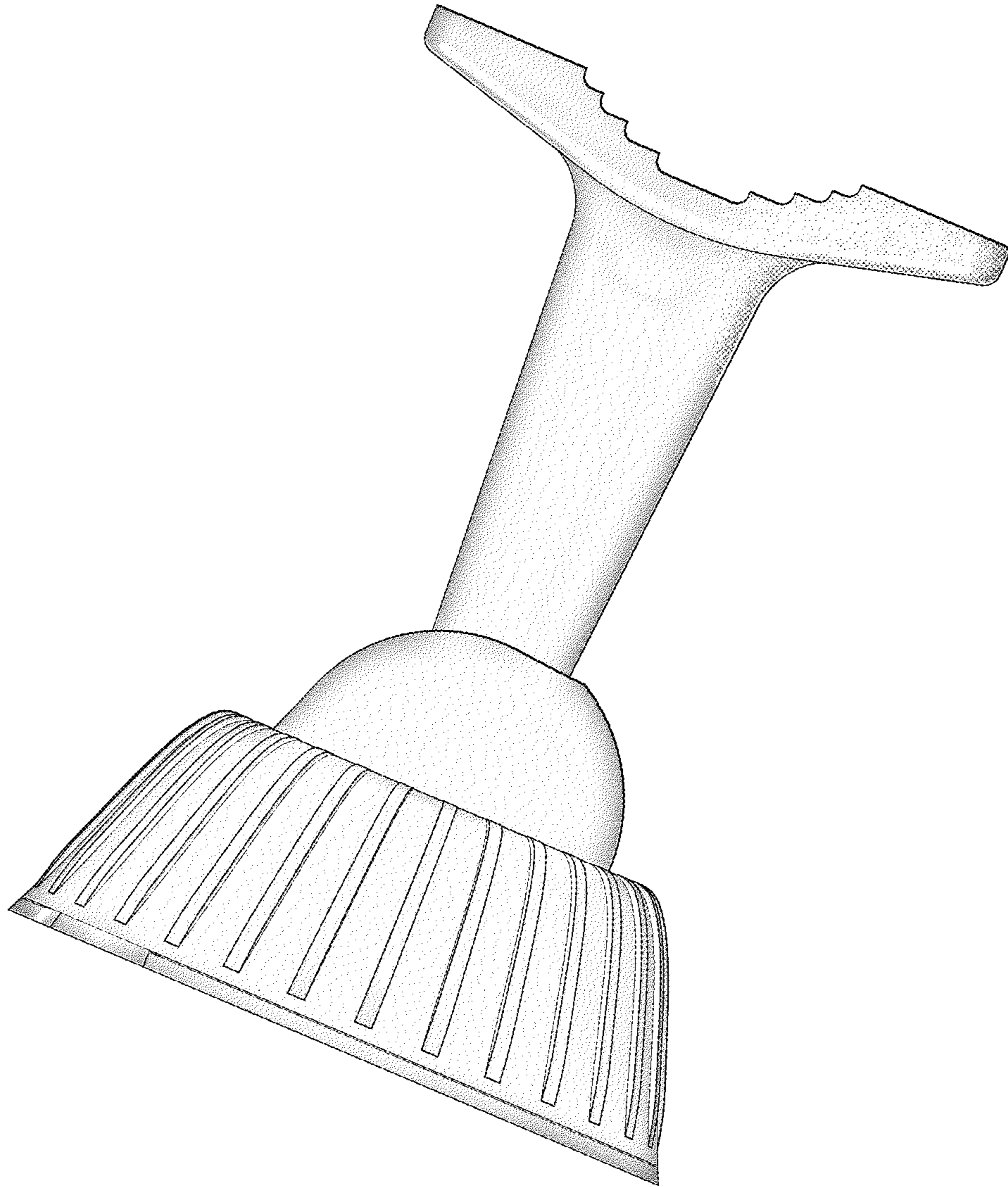


FIG. 6



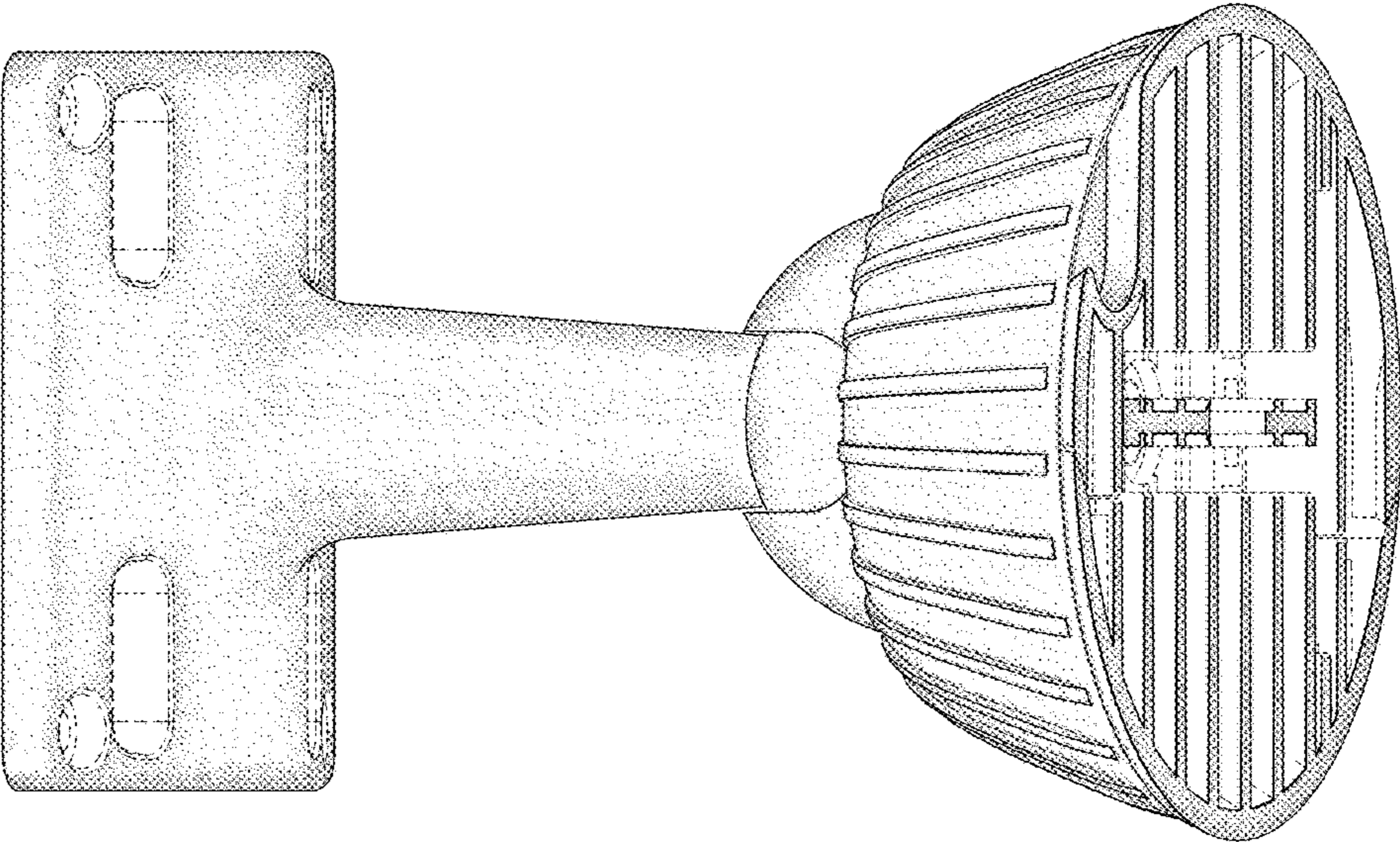


FIG. 7

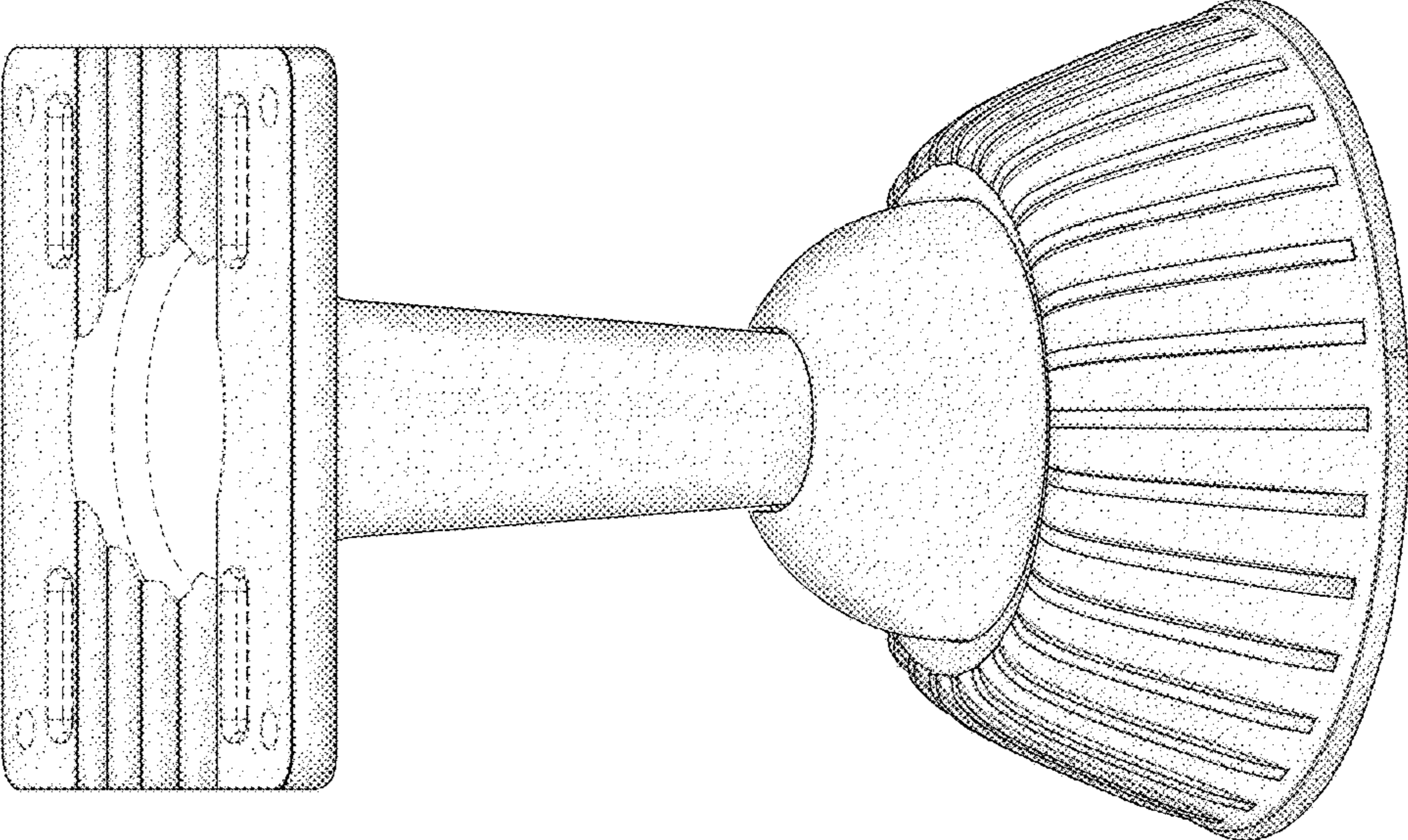


FIG. 8