



US00D778880S

(12) **United States Design Patent** (10) **Patent No.:** **US D778,880 S**
Belitz et al. (45) **Date of Patent:** **** Feb. 14, 2017**

(54) **STAND FOR LOUDSPEAKERS**

2499/13;H04R 2499/15; H04S 3/00; H04S 7/30

(71) Applicant: **SWIFT DISTRIBUTION, INC.**,
Loveland, CO (US)

See application file for complete search history.

(72) Inventors: **Michael J. Belitz**, Cherry Hills Village,
CO (US); **Patrick Michael Bertsch**,
Thornton, CO (US)

(56) **References Cited**

U.S. PATENT DOCUMENTS

(73) Assignee: **Swift Distribution, LLC**, Loveland,
CO (US)

D253,625	S	*	12/1979	Davis	D14/224
6,845,841	B2		1/2005	Smith et al.		
D575,350	S	*	8/2008	Ashida	D14/434
D603,840	S	*	11/2009	Lee	D14/217
D637,952	S	*	5/2011	Tan	D13/102
D669,064	S	*	10/2012	Huang	D14/251
D684,963	S	*	6/2013	Goodrich	D14/253
D708,165	S	*	7/2014	Woo	D14/209.1
D708,166	S	*	7/2014	Lim	D14/209.1
D713,389	S	*	9/2014	Behar	D14/224
D730,090	S	*	5/2015	Christal	D6/675.3

(**) Term: **15 Years**

* cited by examiner

(21) Appl. No.: **35/001,015**

Primary Examiner — Keli L Hill

(22) Filed: **May 27, 2015**

(74) *Attorney, Agent, or Firm* — Sheridan Ross P.C.

(80) **Hague Agreement Data**

Int. Filing Date: **May 27, 2015**

Int. Reg. No.: **DM/088114**

Int. Reg. Date: **May 27, 2015**

Int. Reg. Pub. Date: **Nov. 20, 2015**

(57) **CLAIM**

The ornamental design for a stand for loudspeakers, as shown and described.

(51) **LOC (10) Cl.** **14-03**

(52) **U.S. Cl.**

USPC **D14/224**

DESCRIPTION

(58) **Field of Classification Search**

USPC D14/142, 203.8, 209.1, 217, 224,
D14/251-253, 434, 447, 451, 457, 496;
181/143, 144, 147, 148, 150, 153, 157,
181/198, 199; 381/300-303, 306, 332,
381/333, 336, 345, 361-364, 386-388;
369/6-12

1. Stand for loudspeakers

1.1 : Perspective

1.2 : Perspective

1.3 : Perspective

1.4 : Front

1.5 : Top

1.6 : Bottom

1.7 : Left

1.8 : Right

1.9 : Perspective

1.10 : Front

1.11 : Top

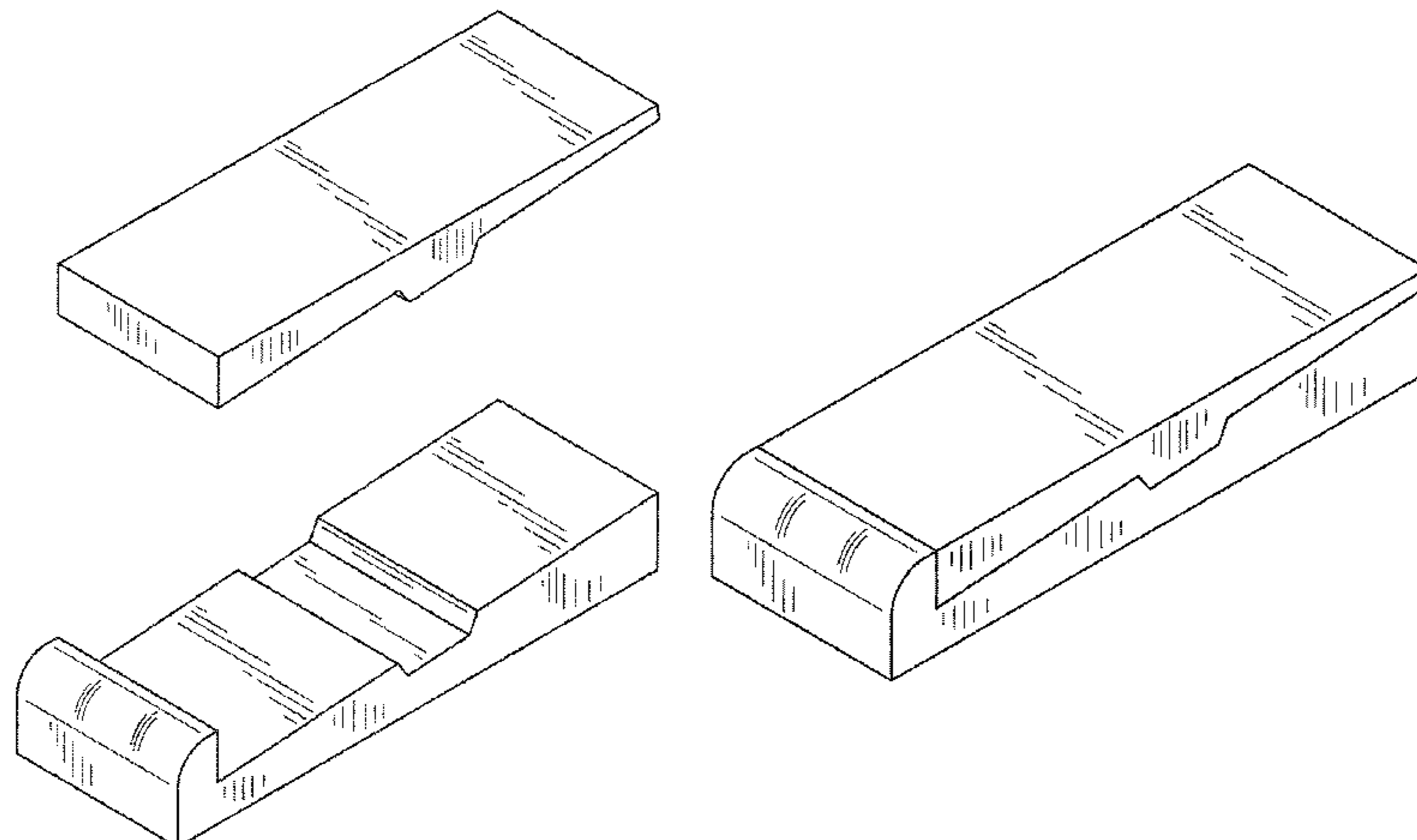
1.12 : Bottom

1.13 : Left

1.14 : Right

CPC B60R 11/0217; G06F 1/1688; G10K 9/22;
G10K 11/004; H03F 1/327; H04M 1/03;
H04M 1/035; H04N 5/642; H04N
21/4852; H04R 1/02; H04R 1/06; H04R
1/021; H04R 1/025; H04R 1/026; H04R
1/028; H04R 1/105; H04R 1/323; H04R
1/403; H04R 1/2803; H04R 1/2834; H04R
5/02; H04R 7/20; H04R 9/06; H04R
9/025; H04R 2201/021; H04R 2400/00;
H04R 2201/07; H04R 2499/11; H04R

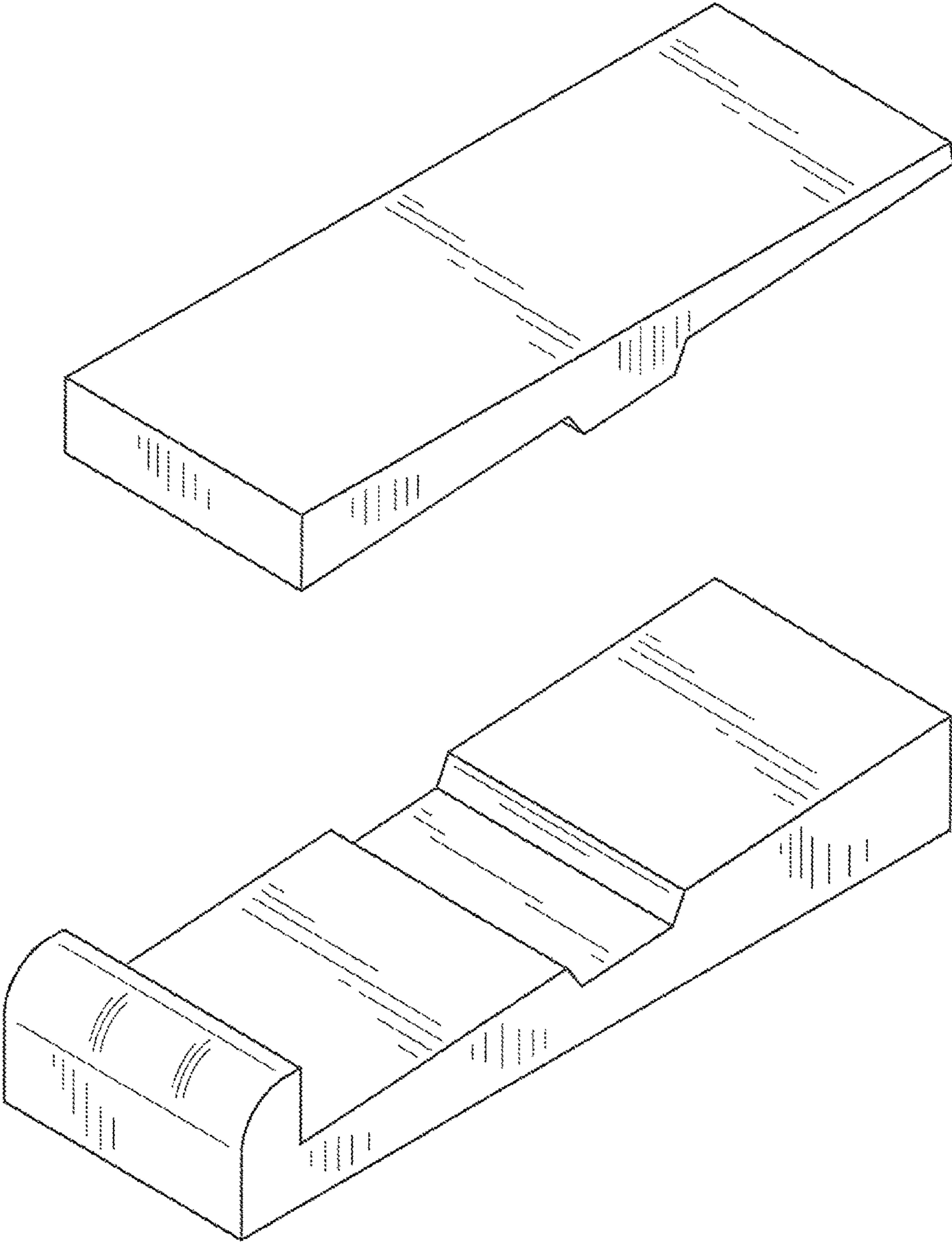
(Continued)



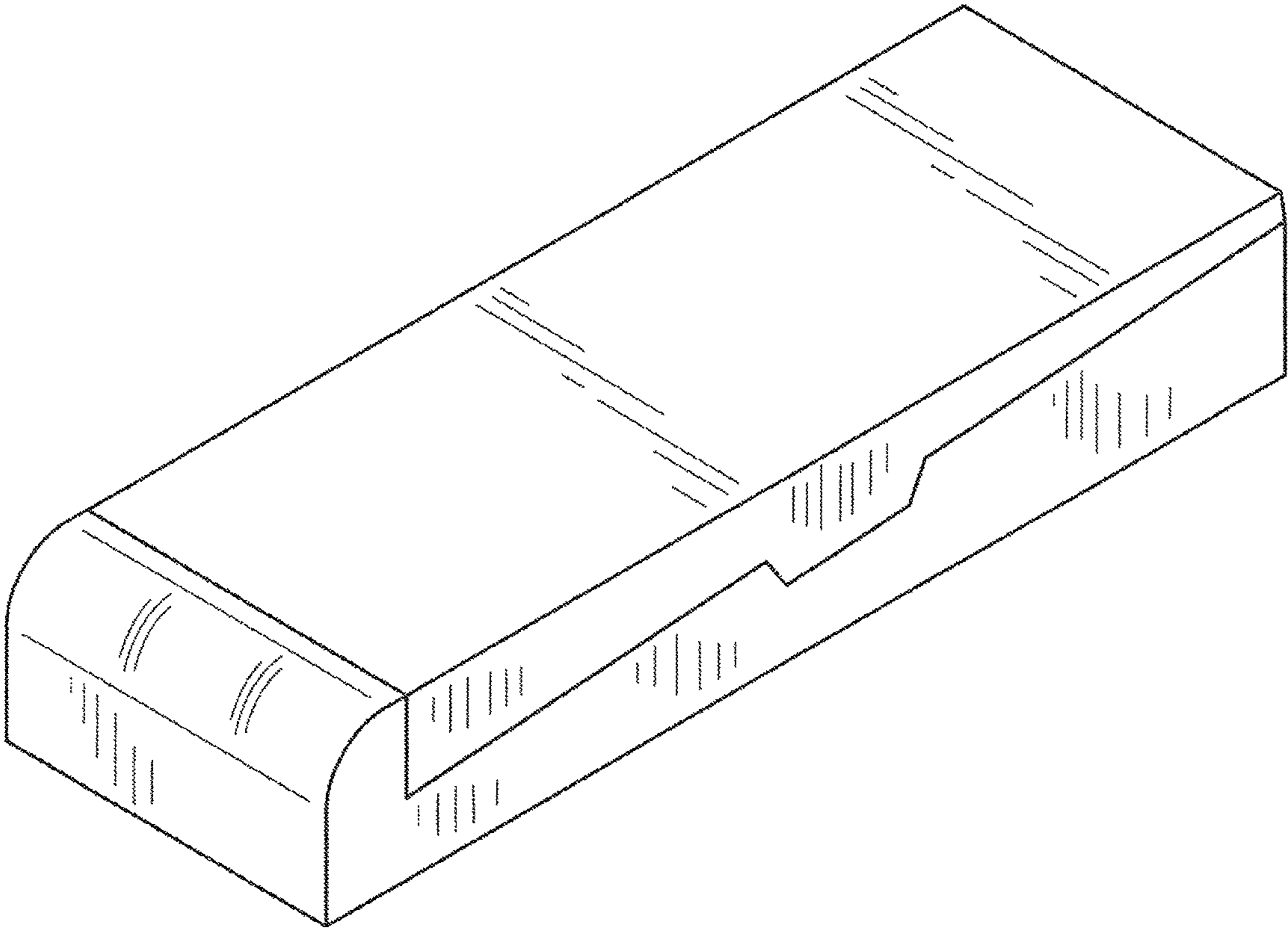
A stand for loudspeakers comprising a first portion and a second portion that selectively fit together; the rear views, which have been omitted, are mirror images of the respective front views.

1 Claim, 14 Drawing Sheets

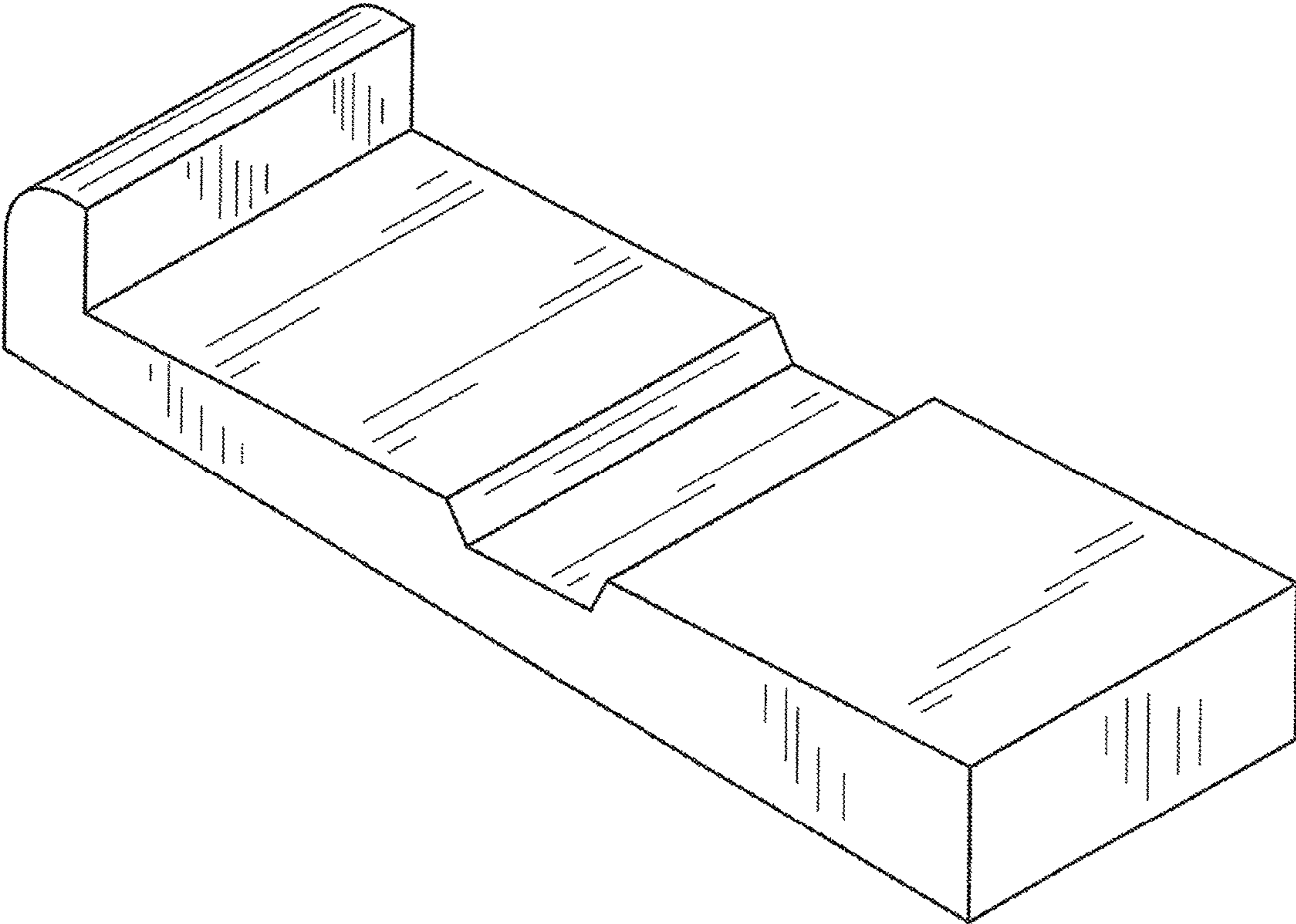
1.1



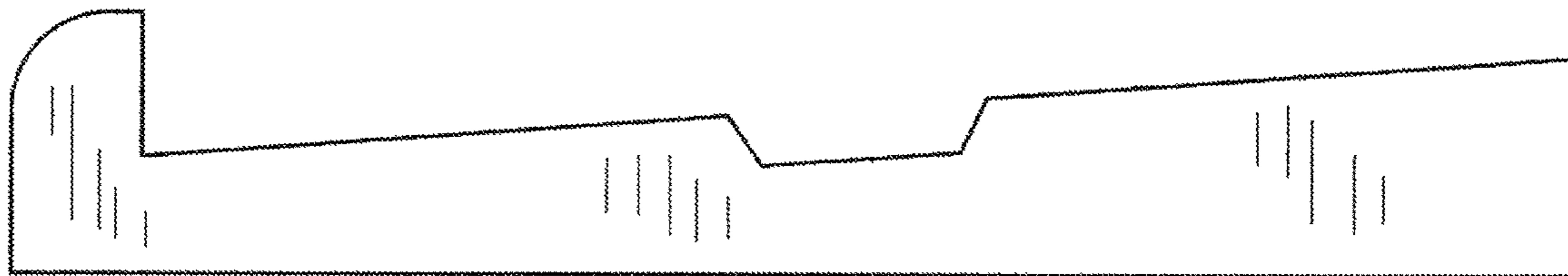
1.2



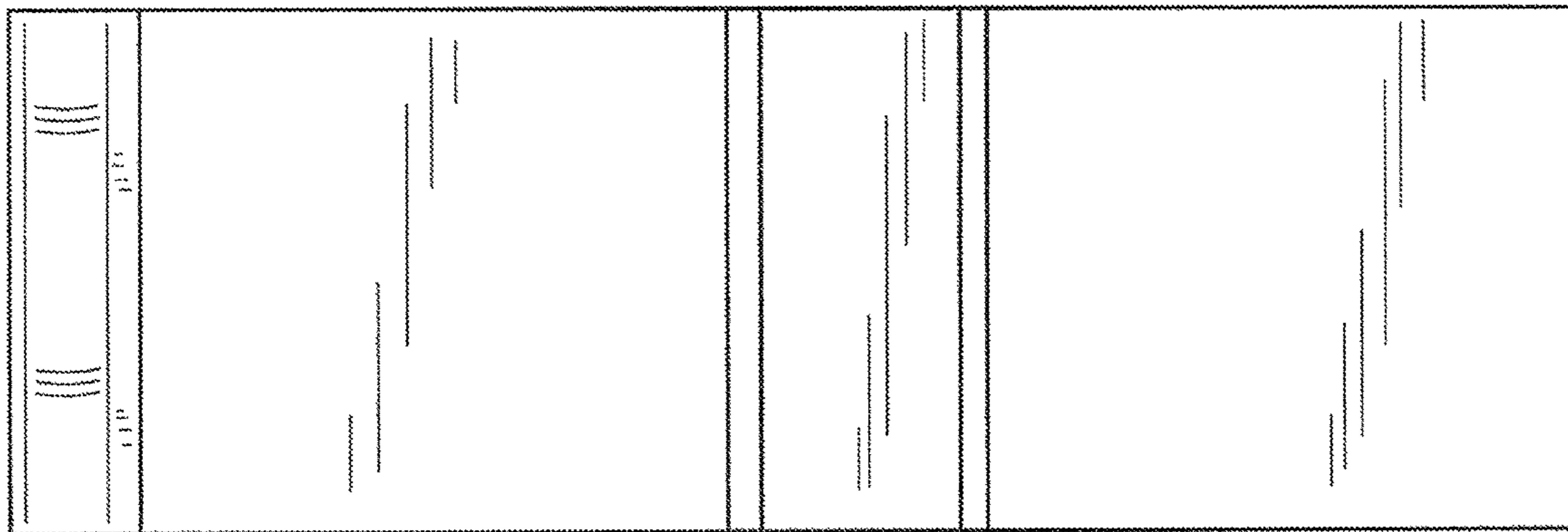
1.3



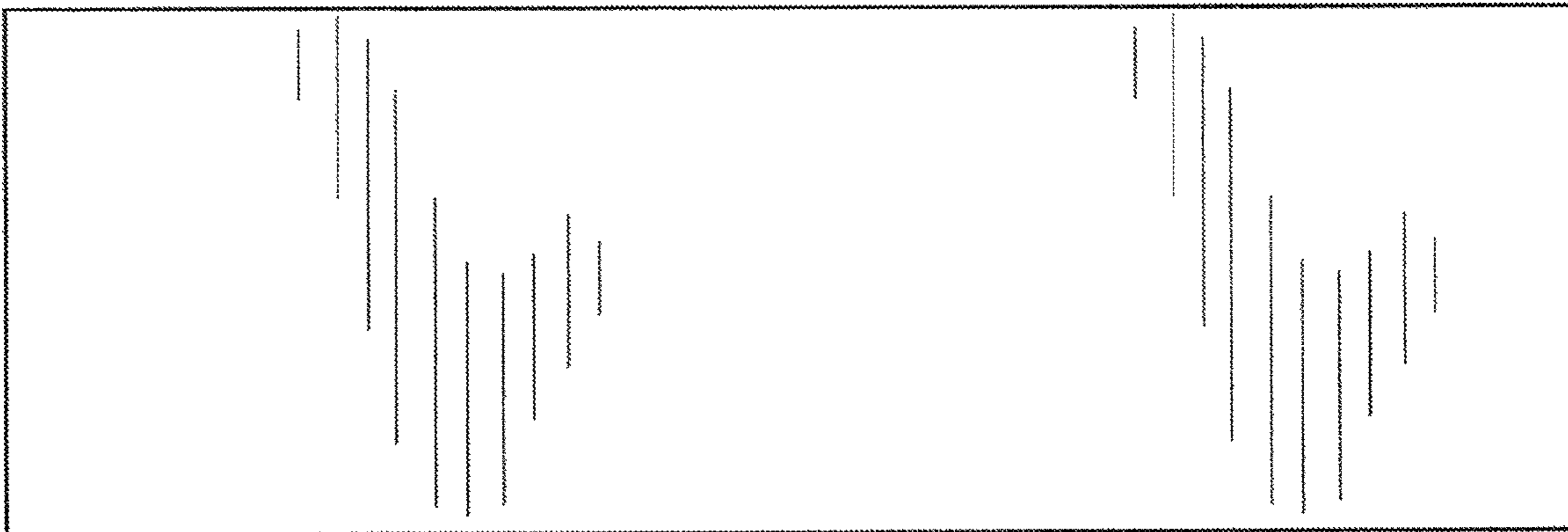
1.4



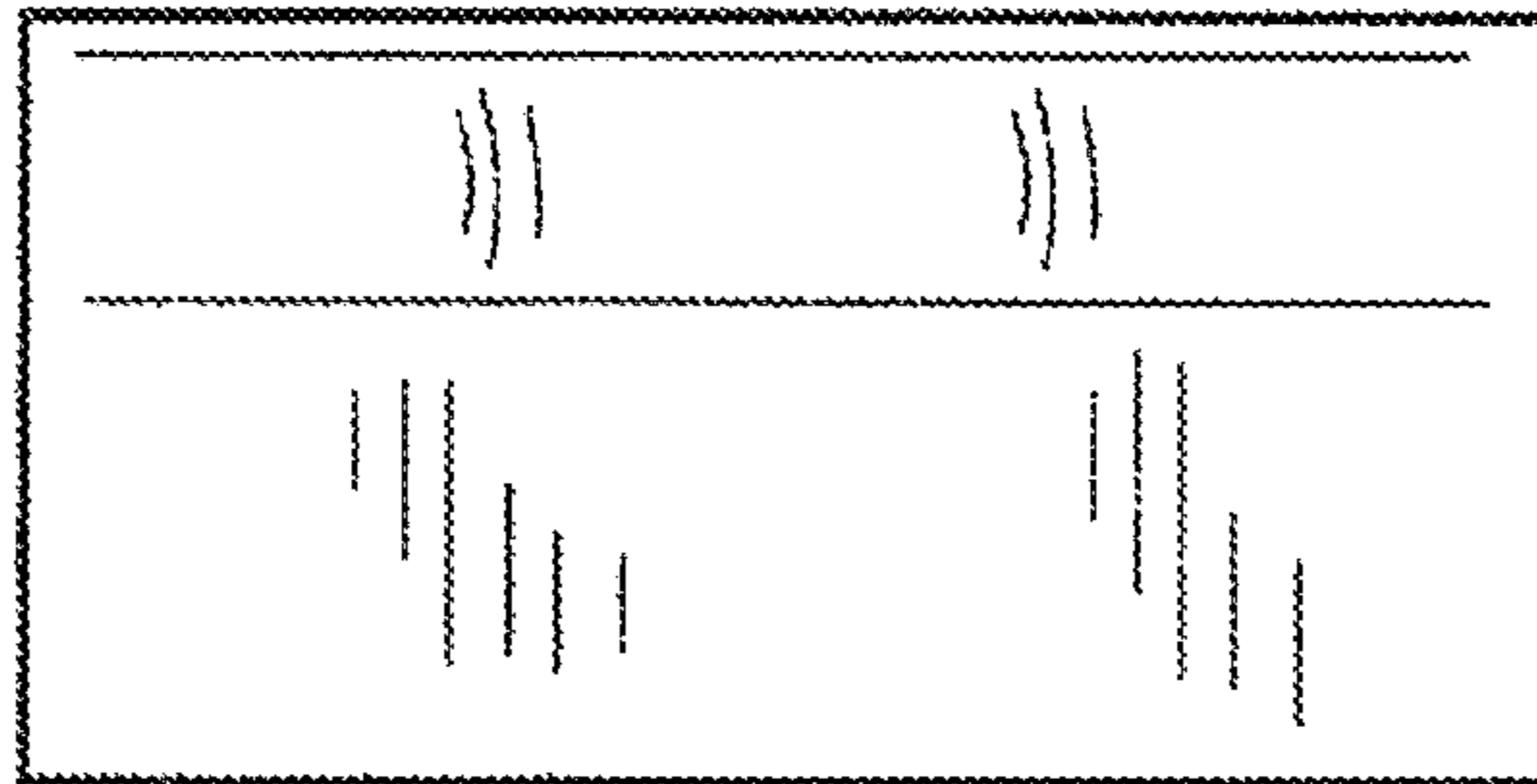
1.5



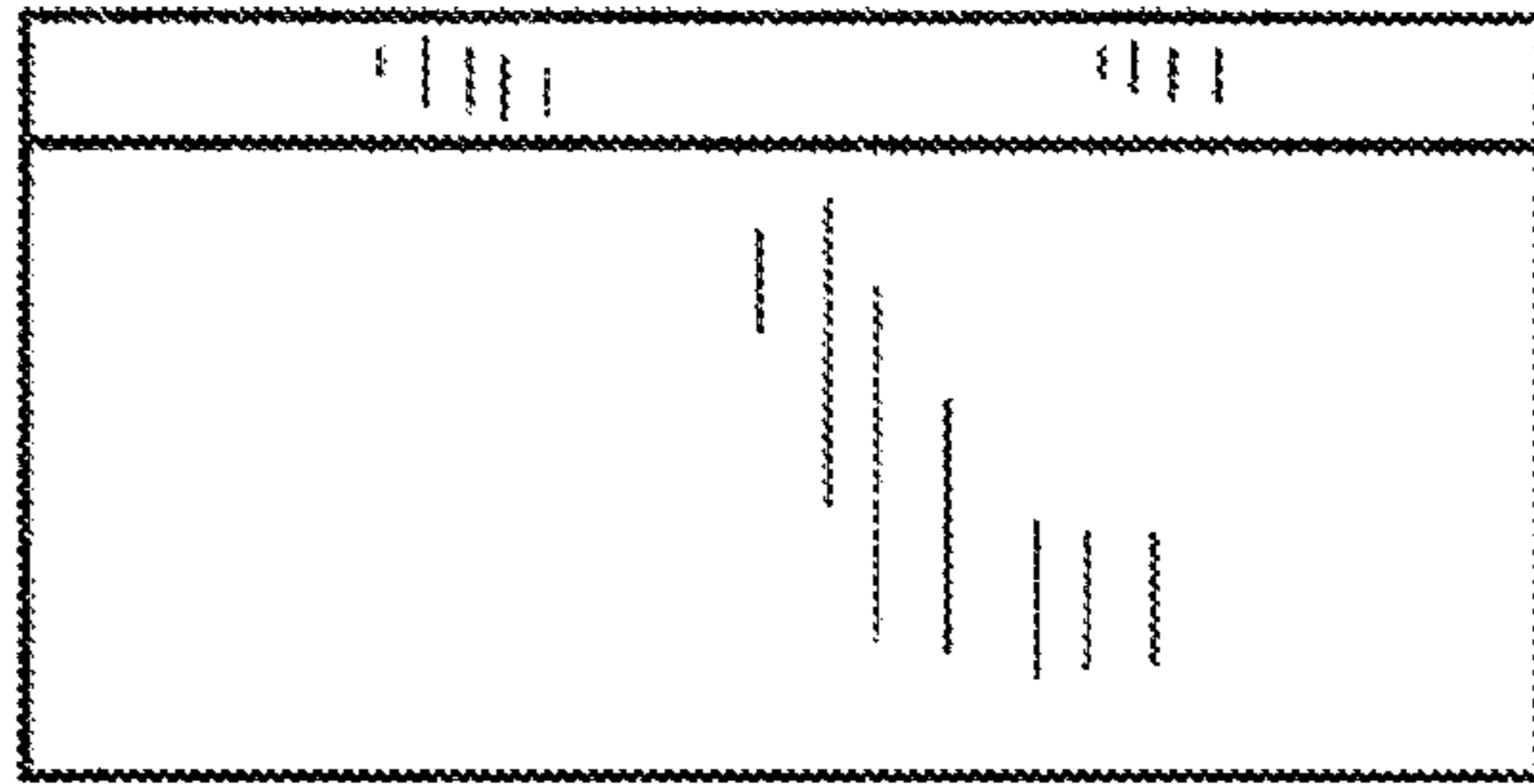
1.6



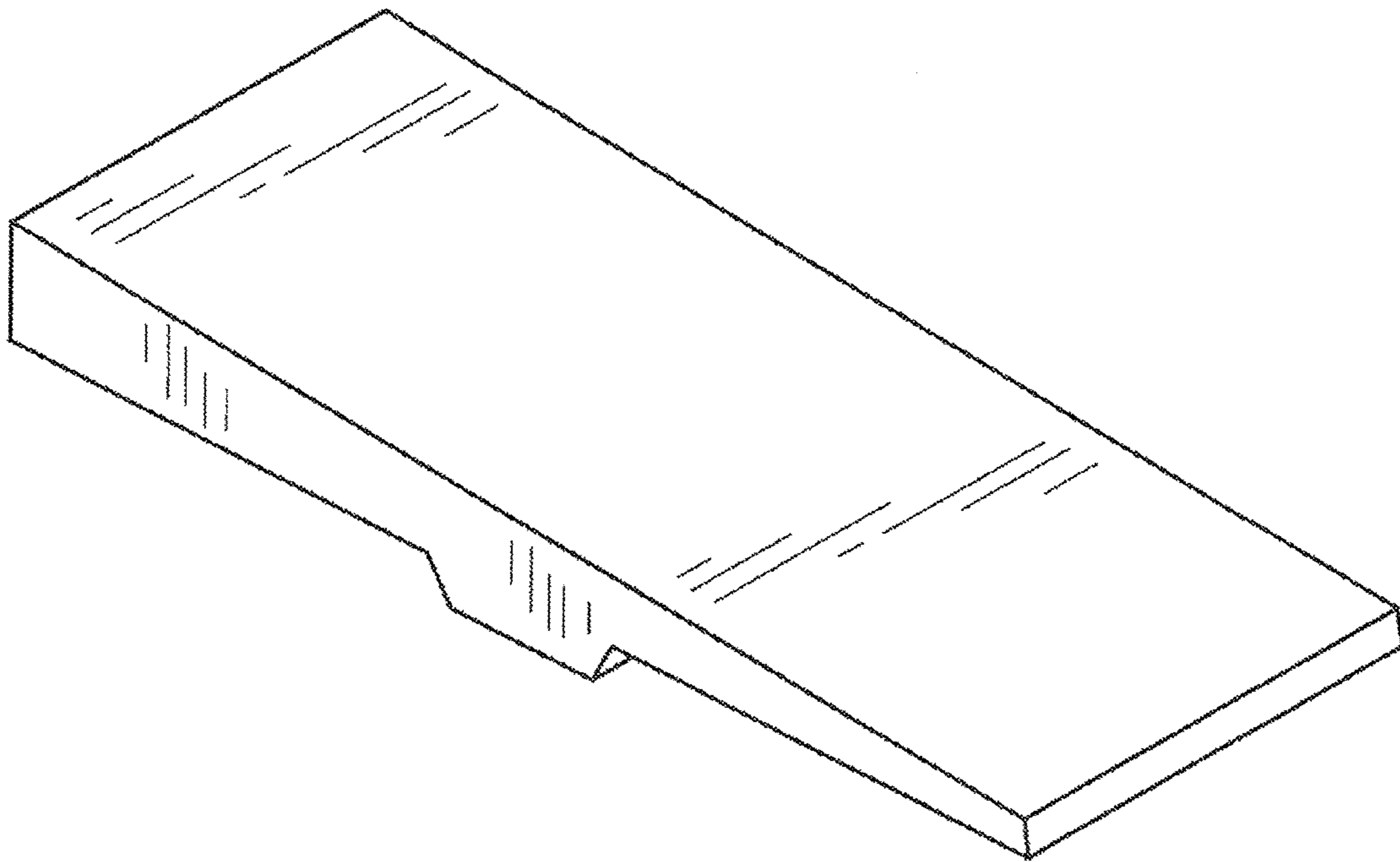
1.7



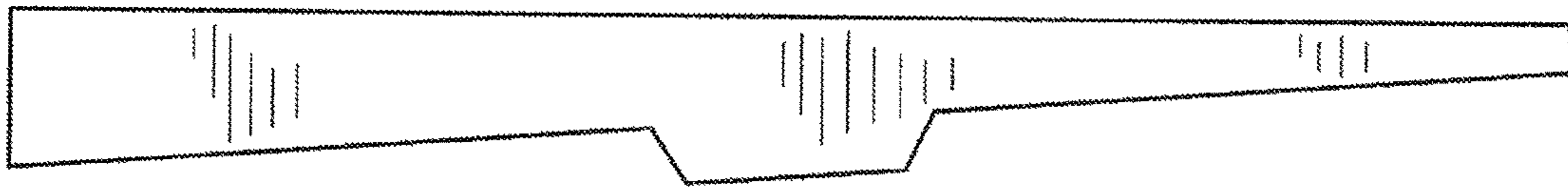
1.8



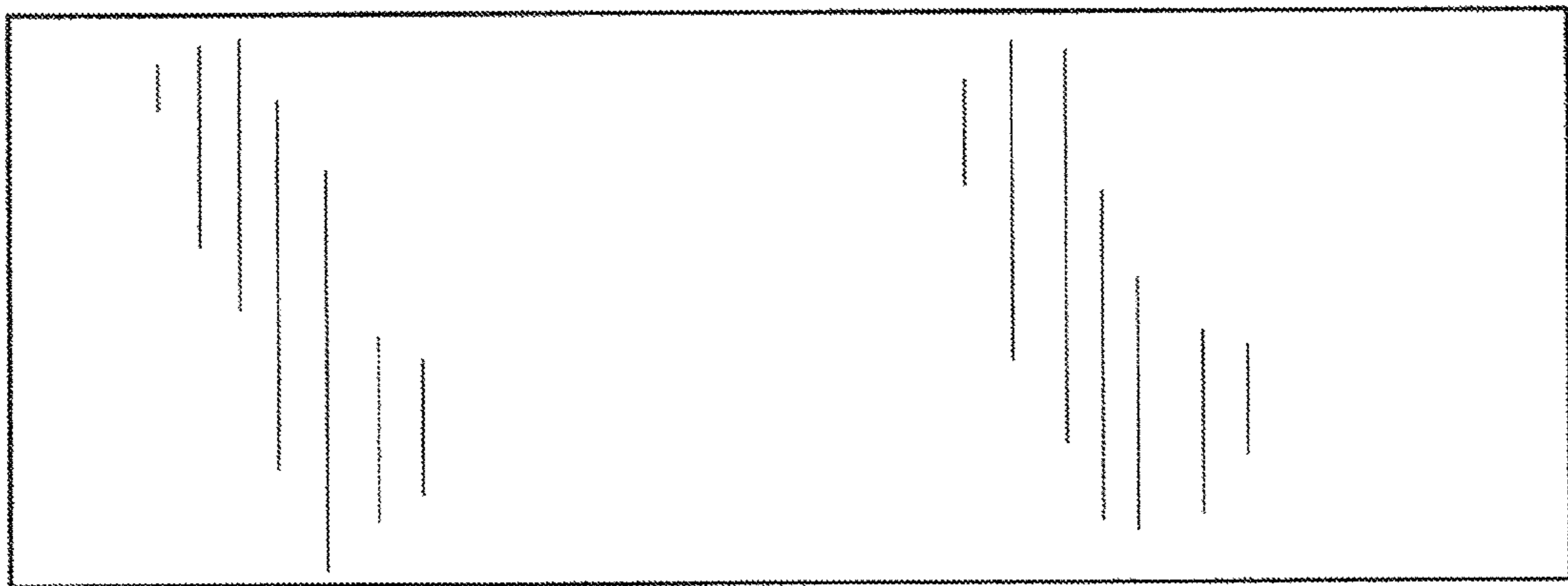
1.9



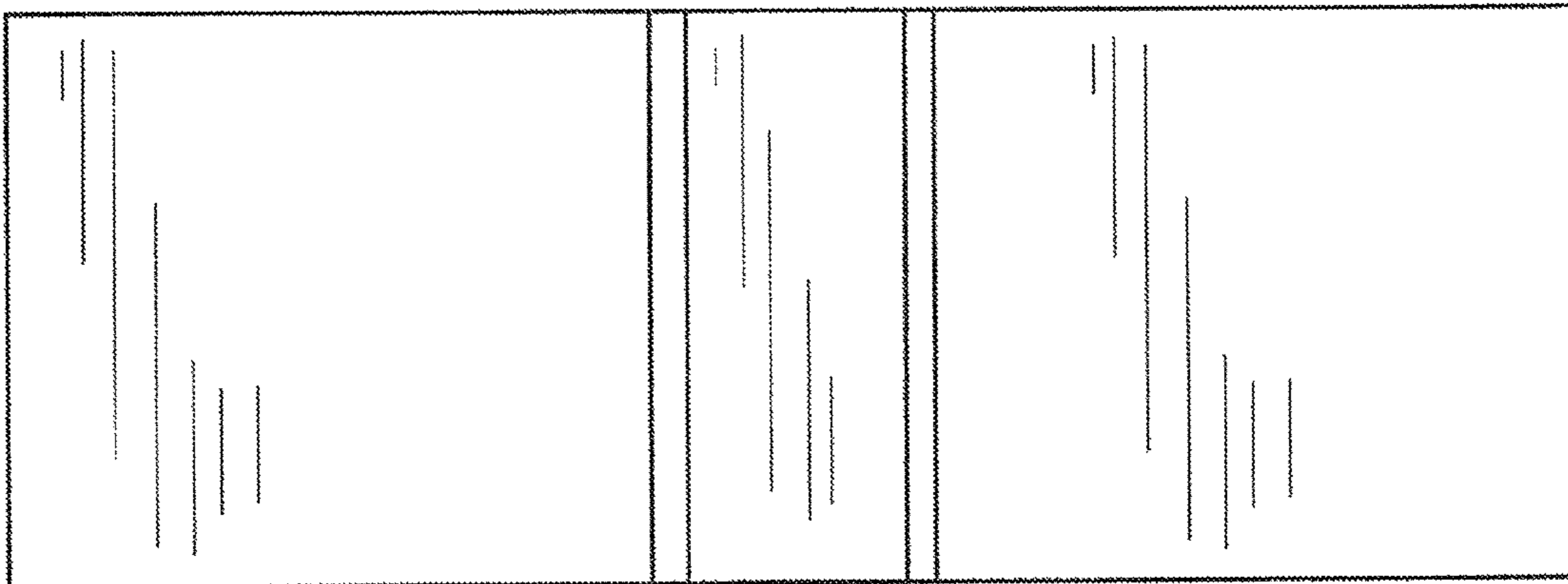
1.10



1.11



1.12



1.13



1.14

