



US00D778879S

(12) **United States Design Patent**
Olivar

(10) **Patent No.:** **US D778,879 S**

(45) **Date of Patent:** **** Feb. 14, 2017**

(54) **REMOTE CONTROL**

(71) Applicant: **Dante Ramel Olivar**, Antipolo (PH)

(72) Inventor: **Dante Ramel Olivar**, Antipolo (PH)

(**) Term: **15 Years**

(21) Appl. No.: **29/527,513**

(22) Filed: **May 20, 2015**

(30) **Foreign Application Priority Data**

Nov. 27, 2014 (PH) 3-2014-001205

(51) **LOC (10) Cl.** **14-03**

(52) **U.S. Cl.**
USPC **D14/218**

(58) **Field of Classification Search**
USPC D14/137, 174, 217-218, 240, 247,
D14/388-390, 396, 511; D21/516, 566;
D13/162-164, 168; 715/738; 434/350;
600/323; 348/211.99, 14.05, 114, 734;
341/175-176; 455/575.1
CPC G08C 23/04; G08C 19/12; H04N 5/44;
H04L 17/02
See application file for complete search history.

(56) **References Cited**

U.S. PATENT DOCUMENTS

5,414,426 A * 5/1995 O'Donnell G08C 19/28
340/12.22
D492,282 S * 6/2004 Lachello D14/218

D506,747 S * 6/2005 Gould Bear D14/218
D527,724 S * 9/2006 Lin D14/218
D567,802 S * 4/2008 Cheng D14/218
D597,427 S * 8/2009 Pereira 10/74
D616,870 S * 6/2010 Choo 14/218
D628,981 S * 12/2010 Mazur D14/203
D736,184 S * 8/2015 Olivar D14/218

* cited by examiner

Primary Examiner — Ralf Seifert

(74) *Attorney, Agent, or Firm* — Fish & Richardson P.C.

(57) **CLAIM**

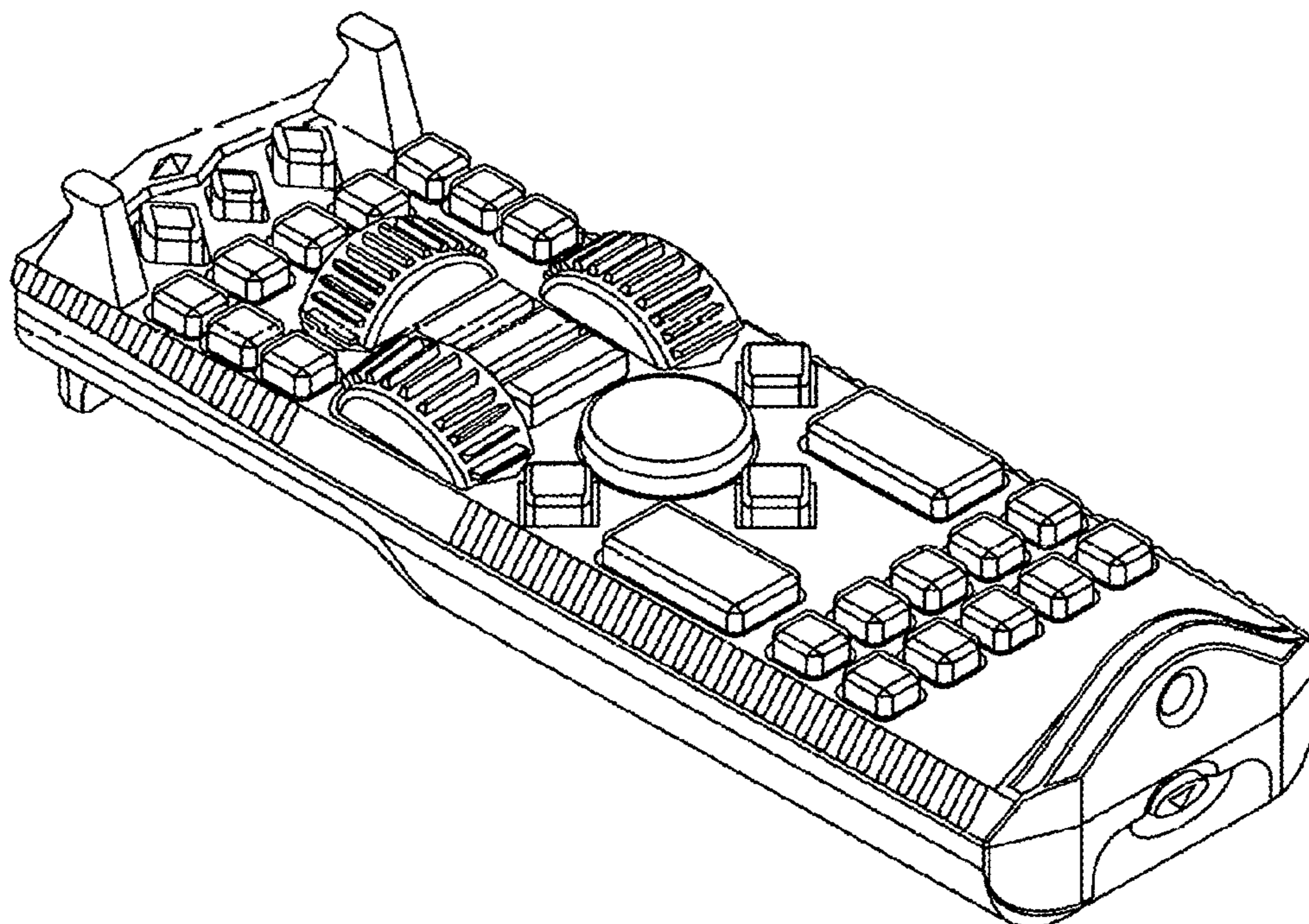
The ornamental design for a remote control, substantially as shown and described.

DESCRIPTION

FIG. 1 is a left perspective view of the present design for a remote control;
FIG. 2 is a front view;
FIG. 3 is a back view;
FIG. 4 is a left side view;
FIG. 5 is a right side view;
FIG. 6 is a bottom view; and,
FIG. 7 is a top view thereof.

The broken line showing is included for the purpose of illustrating portions of the article and forms no part of the claimed design.

1 Claim, 7 Drawing Sheets



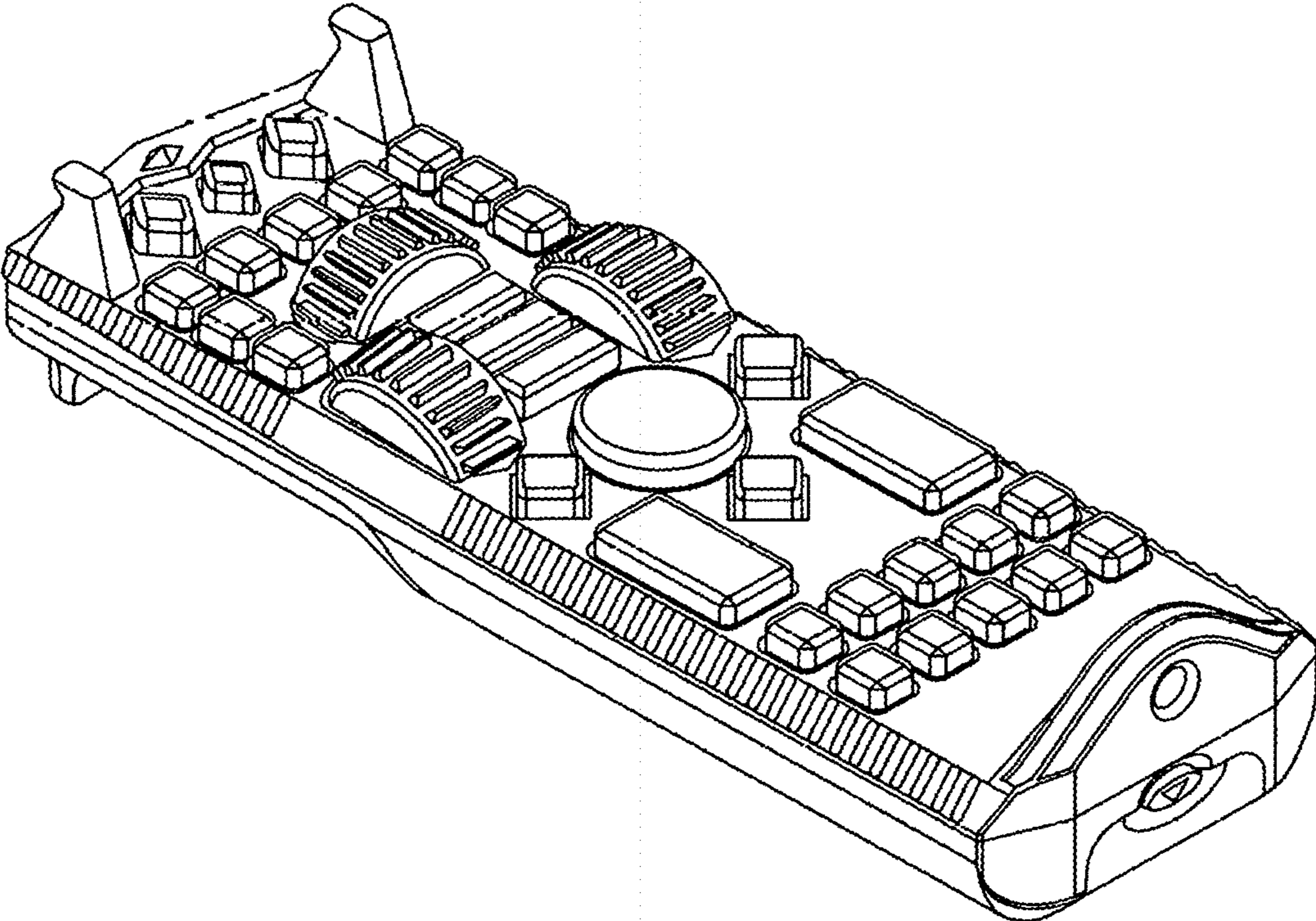


FIGURE 1

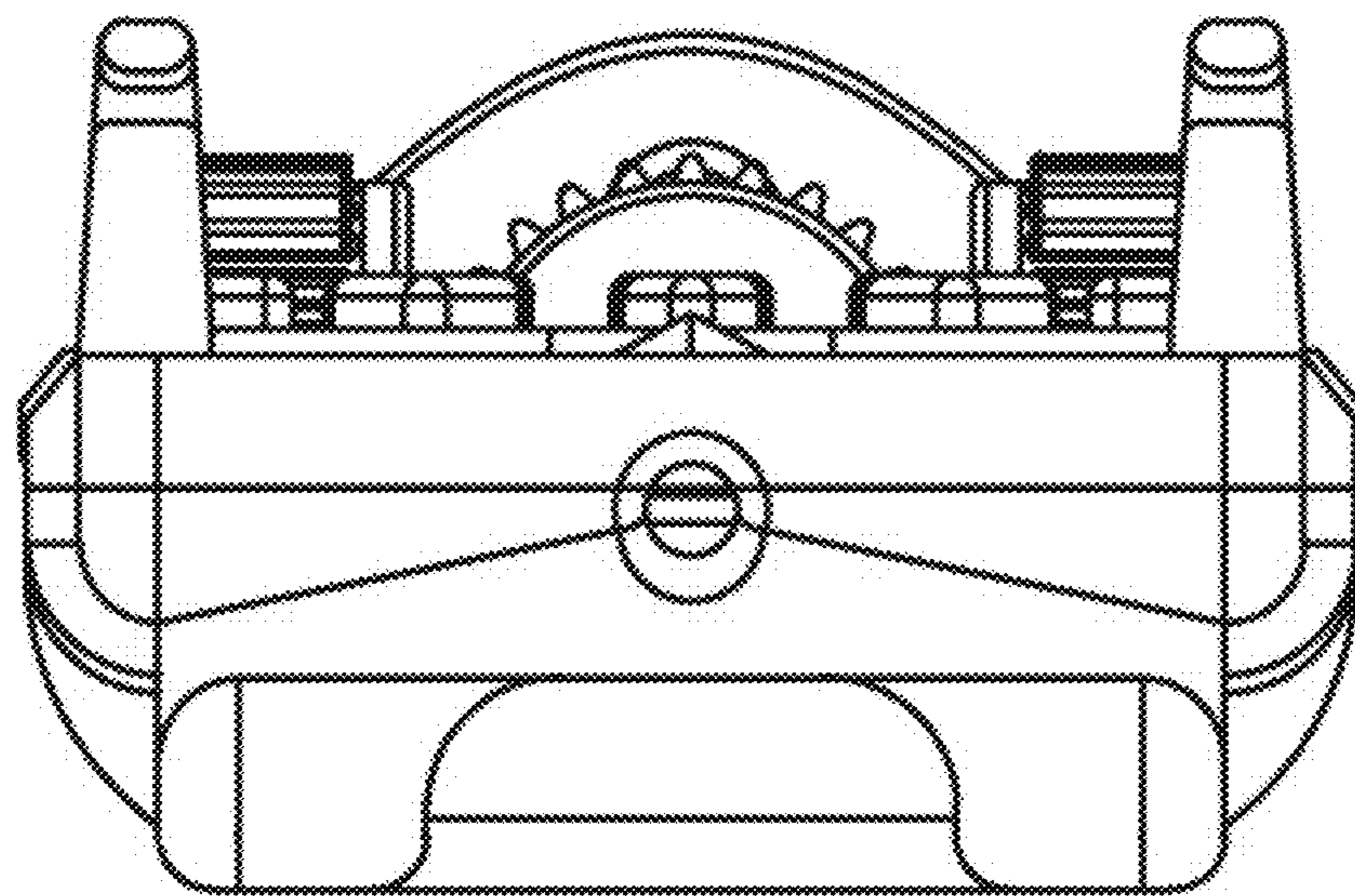


FIG. 2

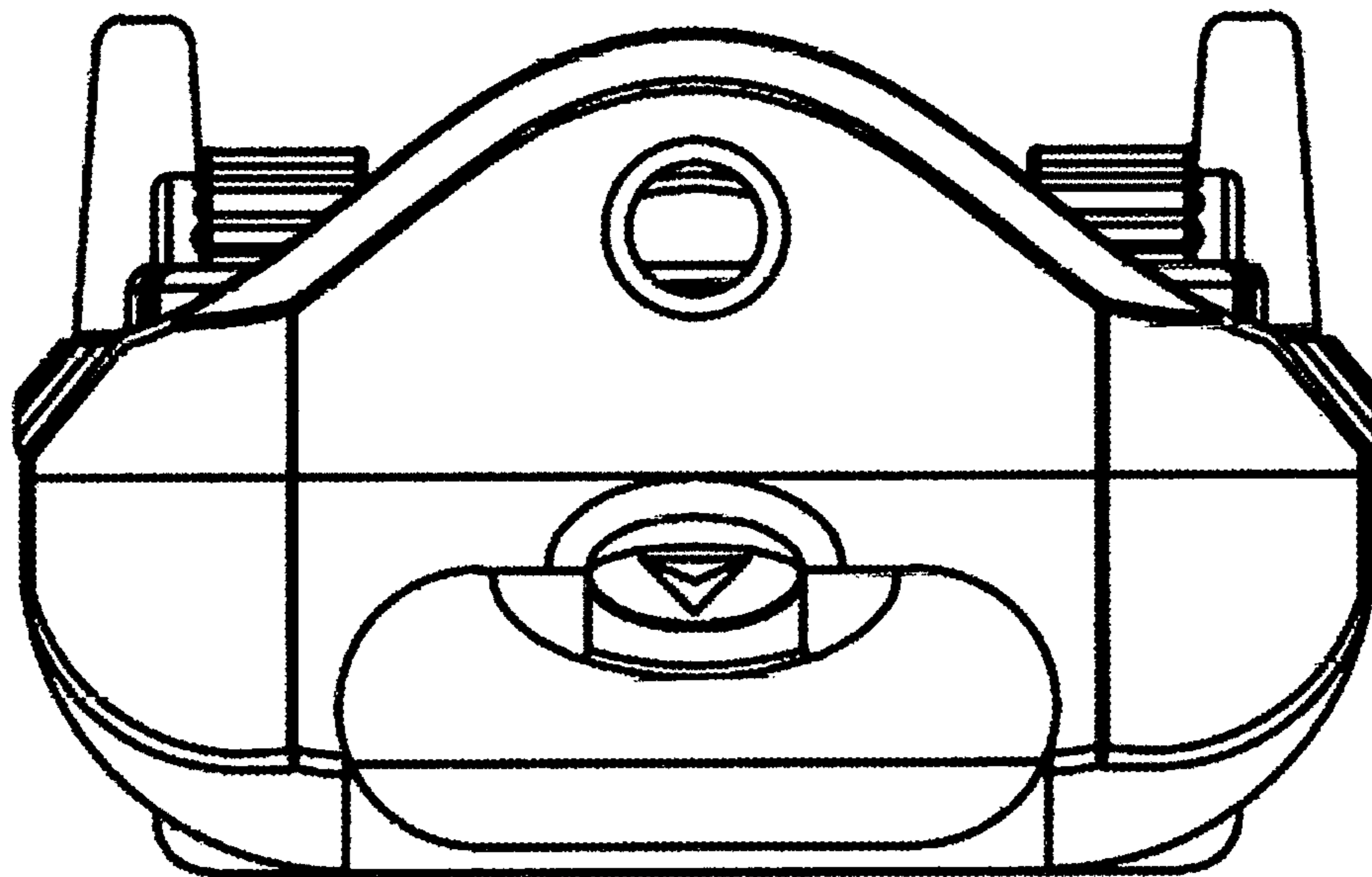


FIGURE 3

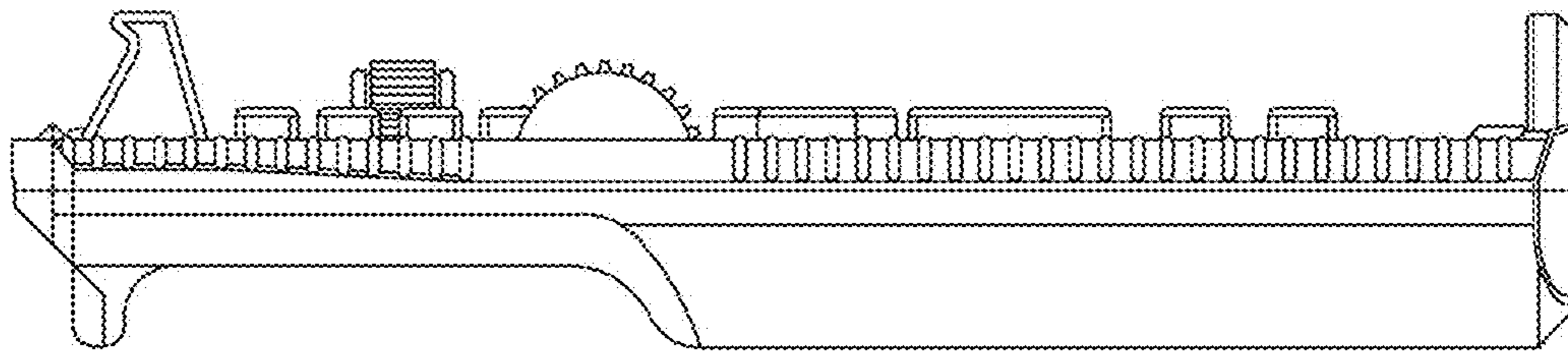


FIG. 4

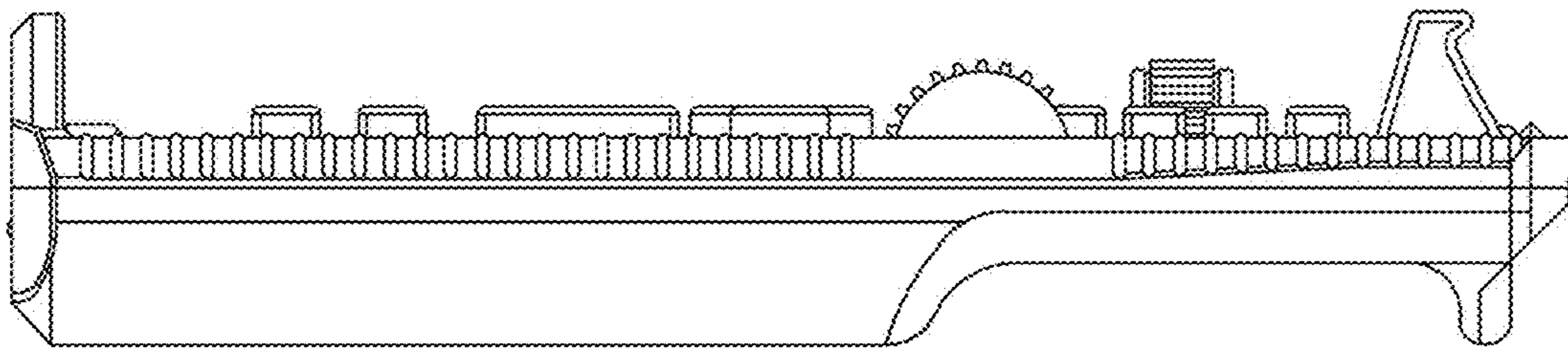


FIG. 5

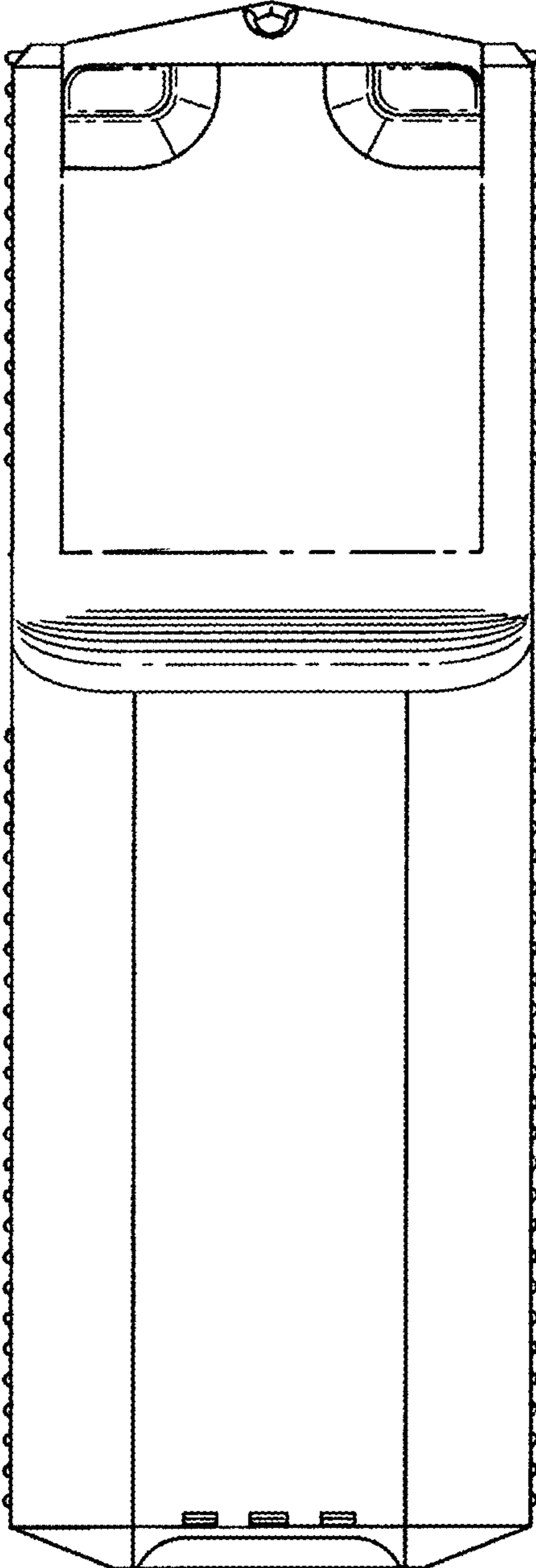


FIGURE 6

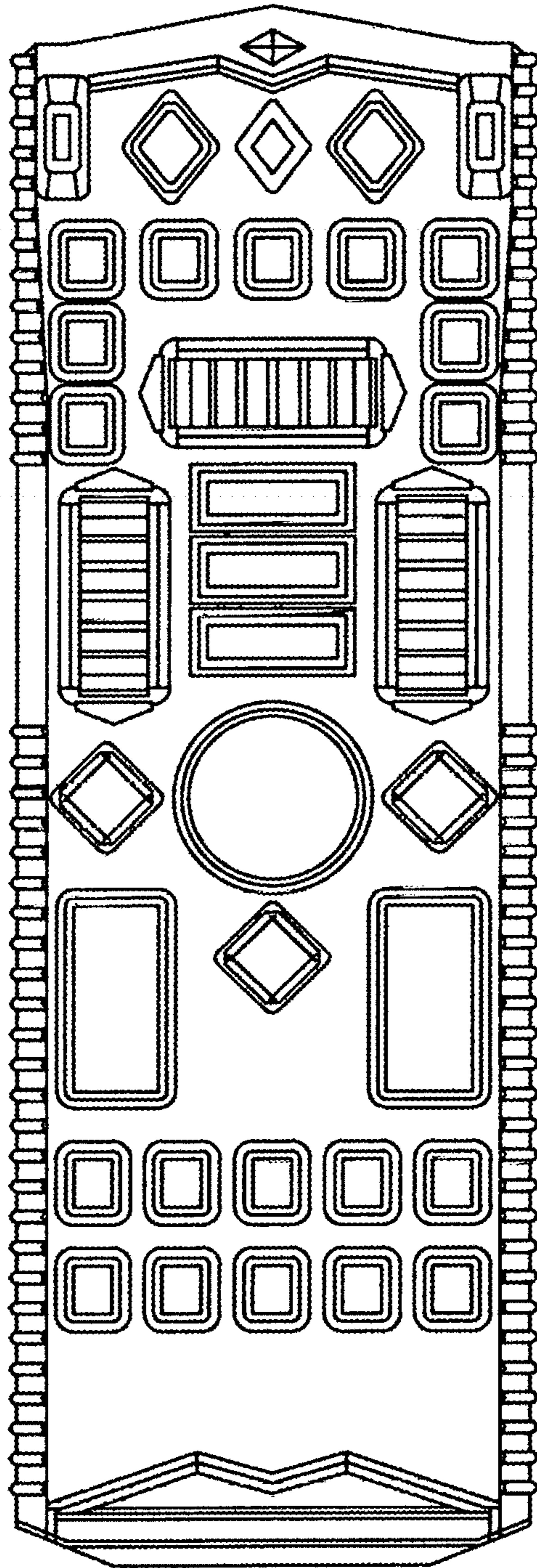


FIGURE 7