



US00D778876S

(12) **United States Design Patent**
Zhang

(10) **Patent No.:** **US D778,876 S**

(45) **Date of Patent:** **** Feb. 14, 2017**

(54) **SPEAKER**

(71) Applicant: **Haixing Zhang**, Shanghai (CN)

(72) Inventor: **Haixing Zhang**, Shanghai (CN)

(**) Term: **15 Years**

(21) Appl. No.: **29/533,295**

(22) Filed: **Jul. 15, 2015**

(51) **LOC (10) Cl.** **14-03**

(52) **U.S. Cl.**

USPC **D14/216**

(58) **Field of Classification Search**

USPC D14/167, 168, 170-172, 188, 194-196,
D14/204, 207, 209.1, 210-216, 219, 221,
D14/222, 224, 239, 496; 181/143, 144,
181/147, 148, 150, 153, 157, 198, 199;
381/300-303, 306, 332, 333, 336, 345,
381/361-364, 386-388; 369/6-12
CPC B60R 11/0217; G06F 1/1688; G10K 9/22;
G10K 11/004; H03F 1/327; H04M 1/03;
H04M 1/035; H04N 5/642; H04N
21/4852; H04R 1/02; H04R 1/06; H04R
1/021; H04R 1/025; H04R 1/026; H04R
1/028; H04R 1/105; H04R 1/323; H04R
1/403; H04R 1/2803; H04R 1/2834; H04R
5/02; H04R 7/20; H04R 9/06; H04R
9/025; H04R

(Continued)

(56) **References Cited**

U.S. PATENT DOCUMENTS

D221,657 S * 8/1971 Katzman et al. D23/362
3,790,081 A * 2/1974 Thornton A01M 1/2055
239/55

(Continued)

Primary Examiner — Keli L Hill

(74) *Attorney, Agent, or Firm* — Raymond Y. Chan;
David and Raymond Patent Firm

(57) **CLAIM**

The ornamental design for a speaker, as shown and described.

DESCRIPTION

FIG. 1 is a front view of the speaker showing our new design, illustrating a floating disc floating on top of a speaker base in an operational state of the speaker.

FIG. 2 is a front view of the speaker, illustrating the floating disc sat on top of the speaker base in a non-operational state of the speaker.

FIG. 3 is a front view of the speaker base of the speaker.

FIG. 4 is a rear view of the speaker base of the speaker.

FIG. 5 is a right view of the speaker base of the speaker.

FIG. 6 is a left view of the speaker base of the speaker.

FIG. 7 is a top view of the speaker base of the speaker.

FIG. 8 is a bottom view of the speaker base of the speaker.

FIG. 9 is a perspective view of the speaker base of the speaker.

FIG. 10 is a front view of the floating disc of the speaker.

FIG. 11 is a rear view of the floating disc of the speaker.

FIG. 12 is a right view of the floating disc of the speaker.

FIG. 13 is a left view of the floating disc of the speaker.

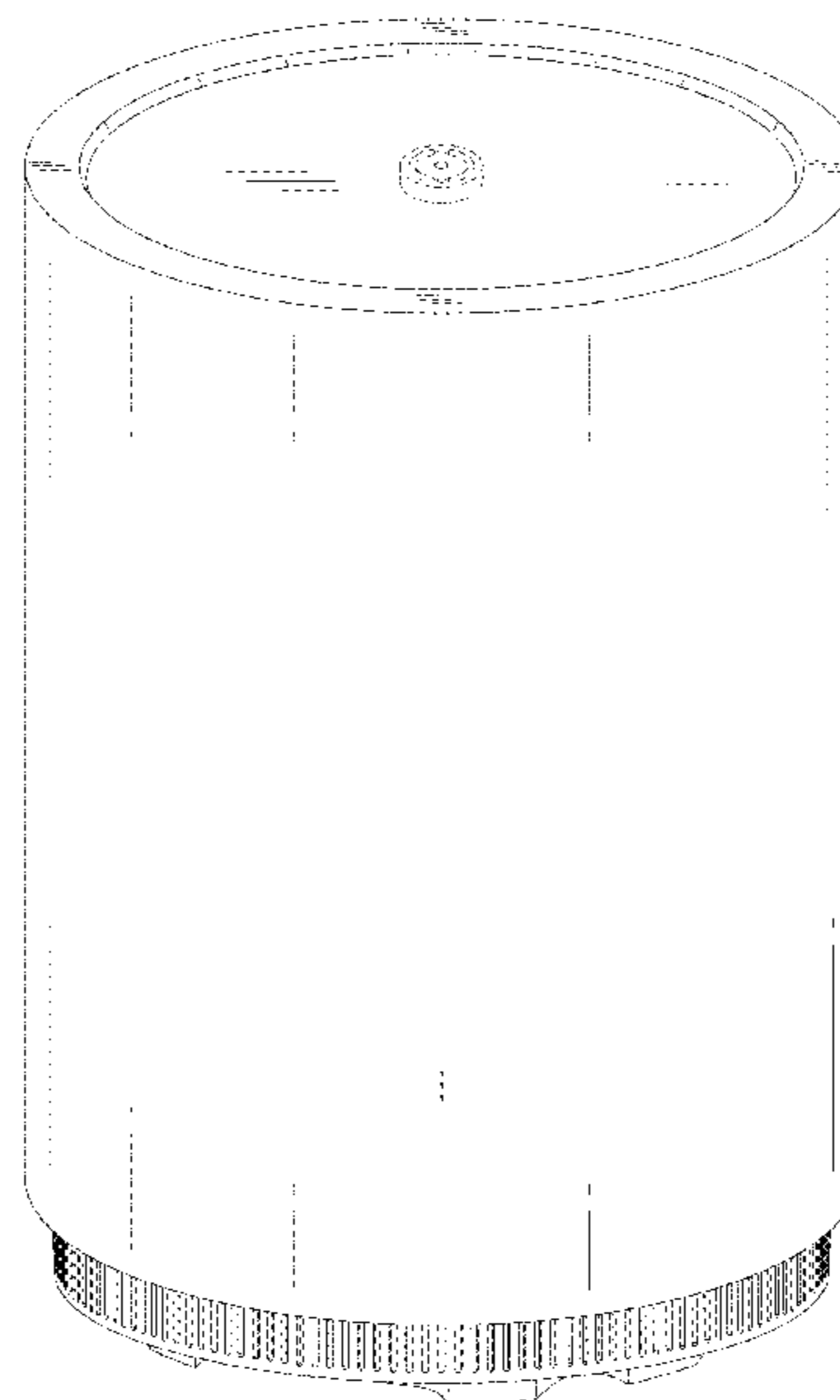
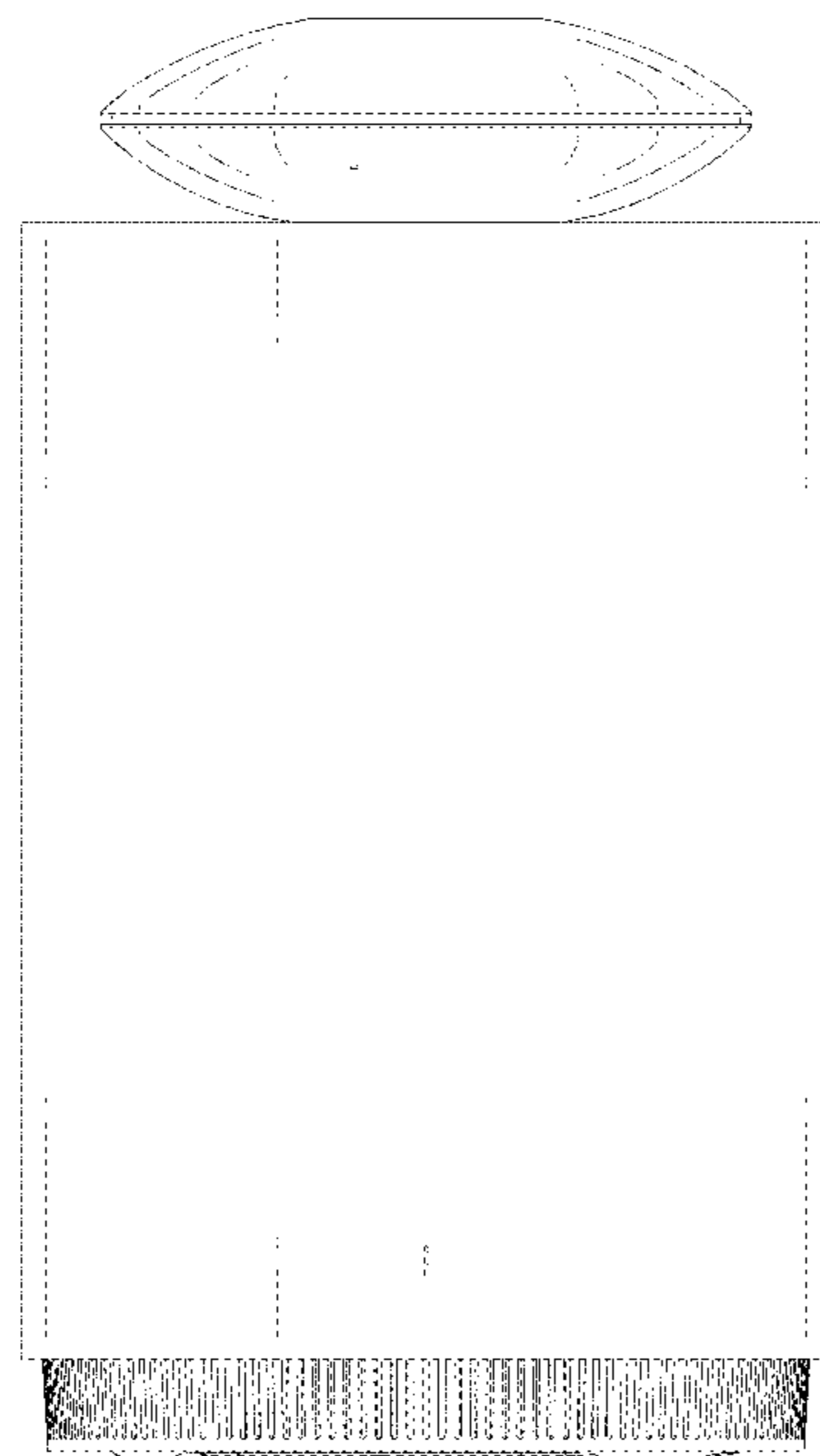
FIG. 14 is a top view of the floating disc of the speaker.

FIG. 15 is a bottom view of the floating disc of the speaker; and,

FIG. 16 is a perspective view of the floating disc of the speaker.

The broken line portion of the figure drawings is included to show unclaimed subject matter only and forms no part of the claimed design.

1 Claim, 16 Drawing Sheets



(58) **Field of Classification Search**

CPC 2201/021;H04R 2400/00; H04R 2400/07;
H04R 2499/11; H04R 2499/13; H04R
2499/15; H04S 3/00; H04S 7/30

See application file for complete search history.

(56) **References Cited**

U.S. PATENT DOCUMENTS

D484,490	S	*	12/2003	Lewis	D14/216
D537,073	S	*	2/2007	Peersman	D14/213
D598,527	S	*	8/2009	Fitsch	D23/356
D687,009	S	*	7/2013	Song	D14/155
D706,915	S	*	6/2014	Suzuki	D23/366
D714,923	S	*	10/2014	Engelhard	D23/364
D718,280	S	*	11/2014	Yoon	D14/216
D730,872	S	*	6/2015	Wan	D14/216
D735,163	S	*	7/2015	Valeur	D14/216
D755,750	S	*	5/2016	Chen	D14/172

* cited by examiner

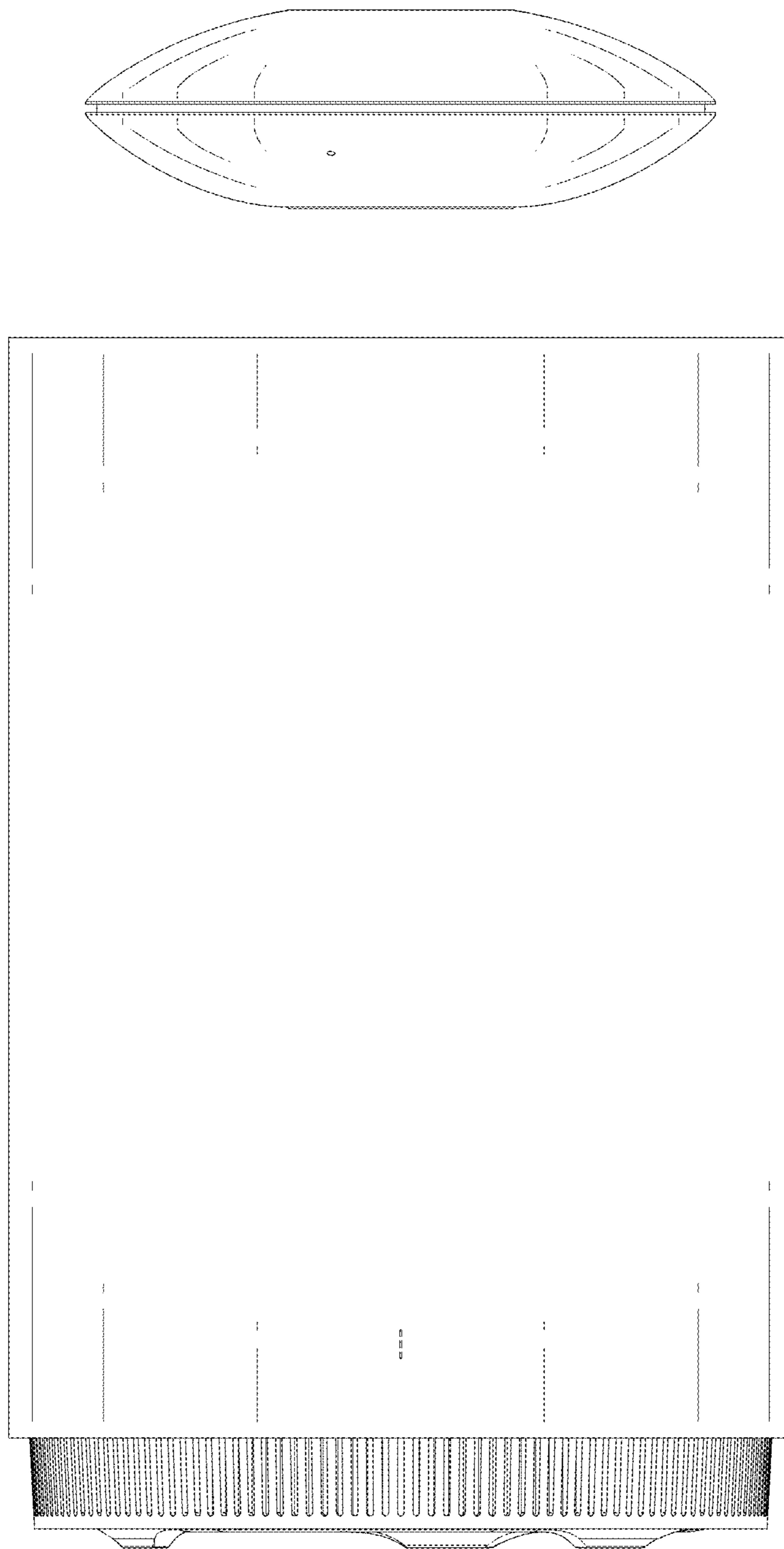


FIG.1

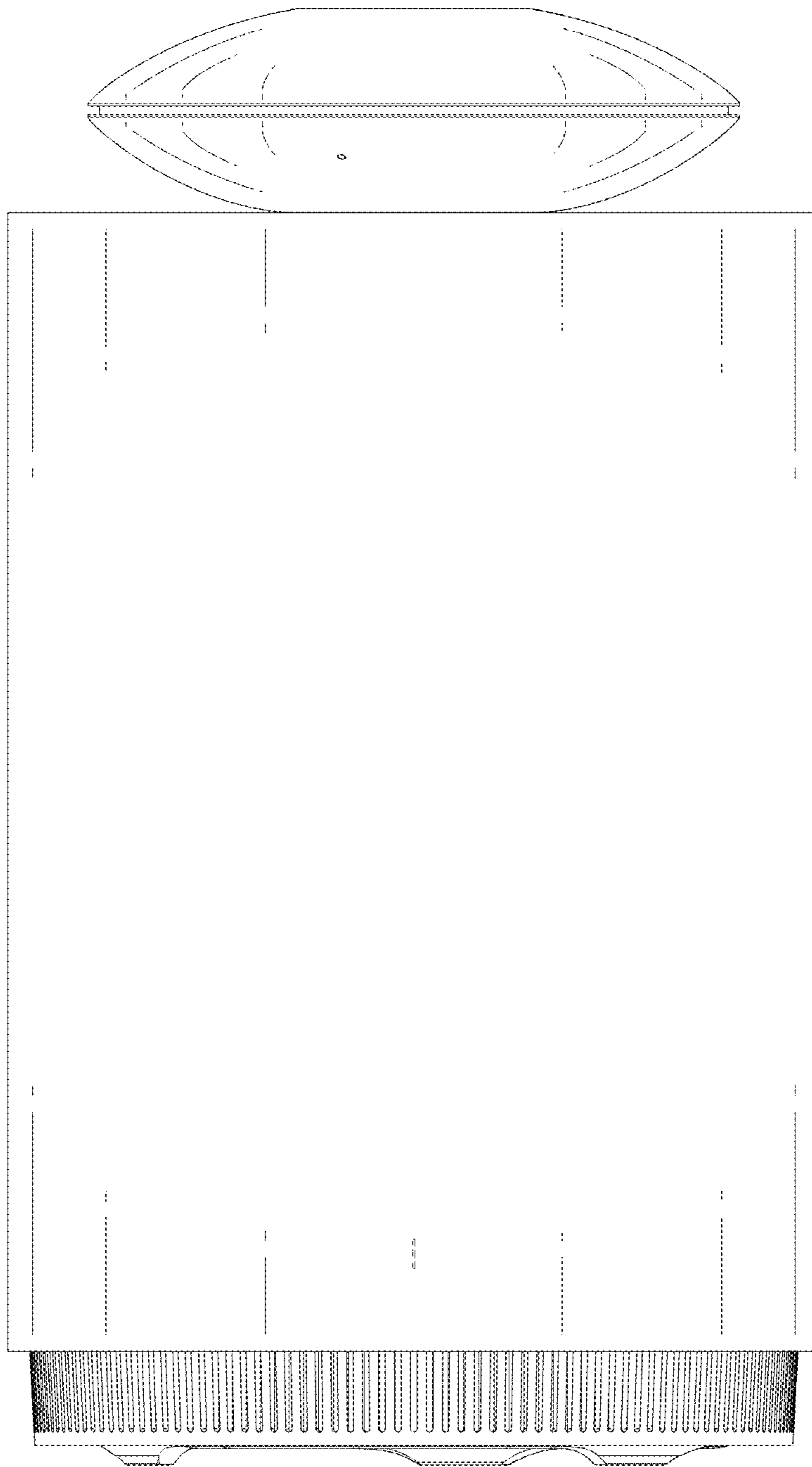


FIG.2

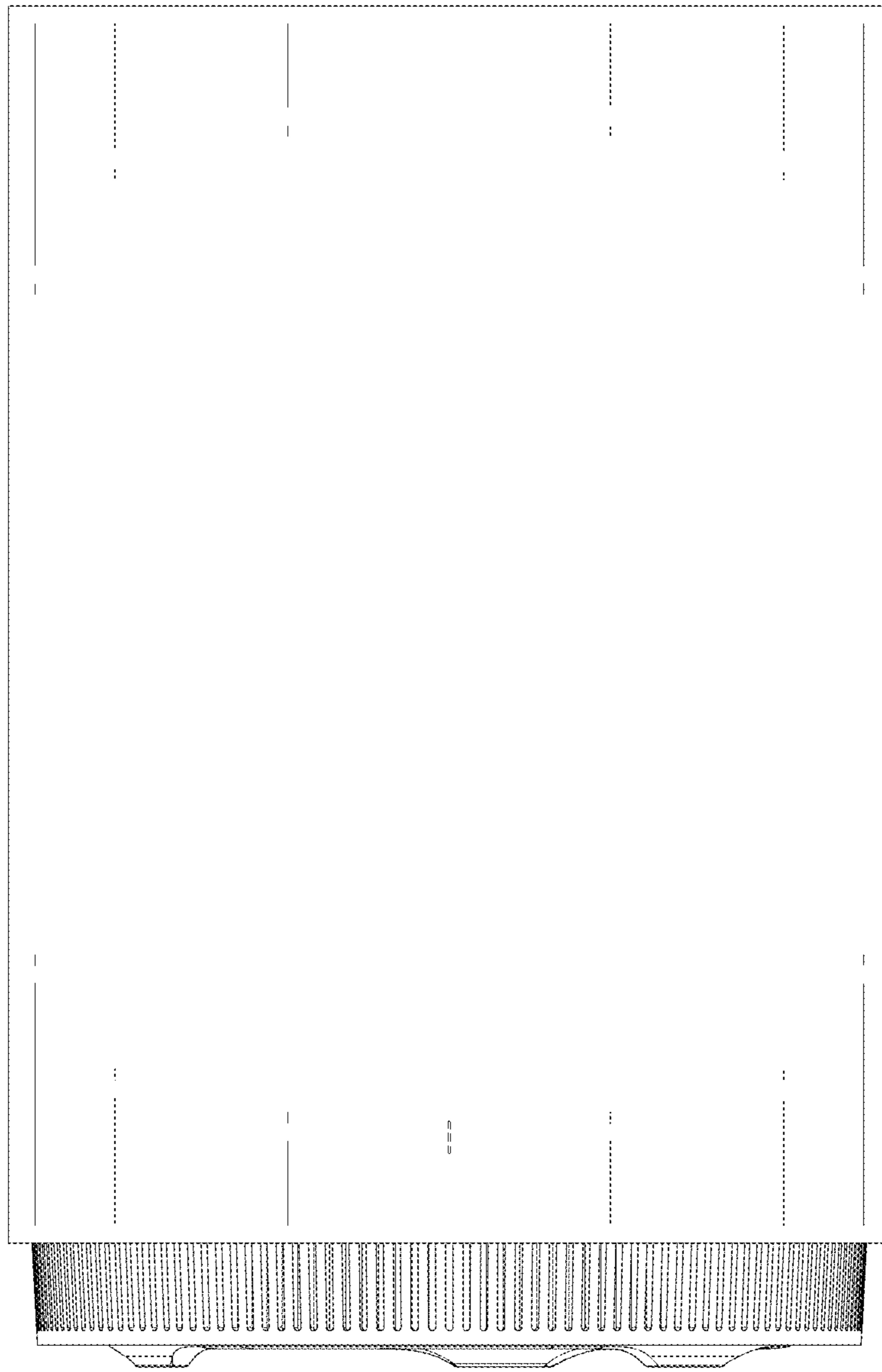


FIG.3

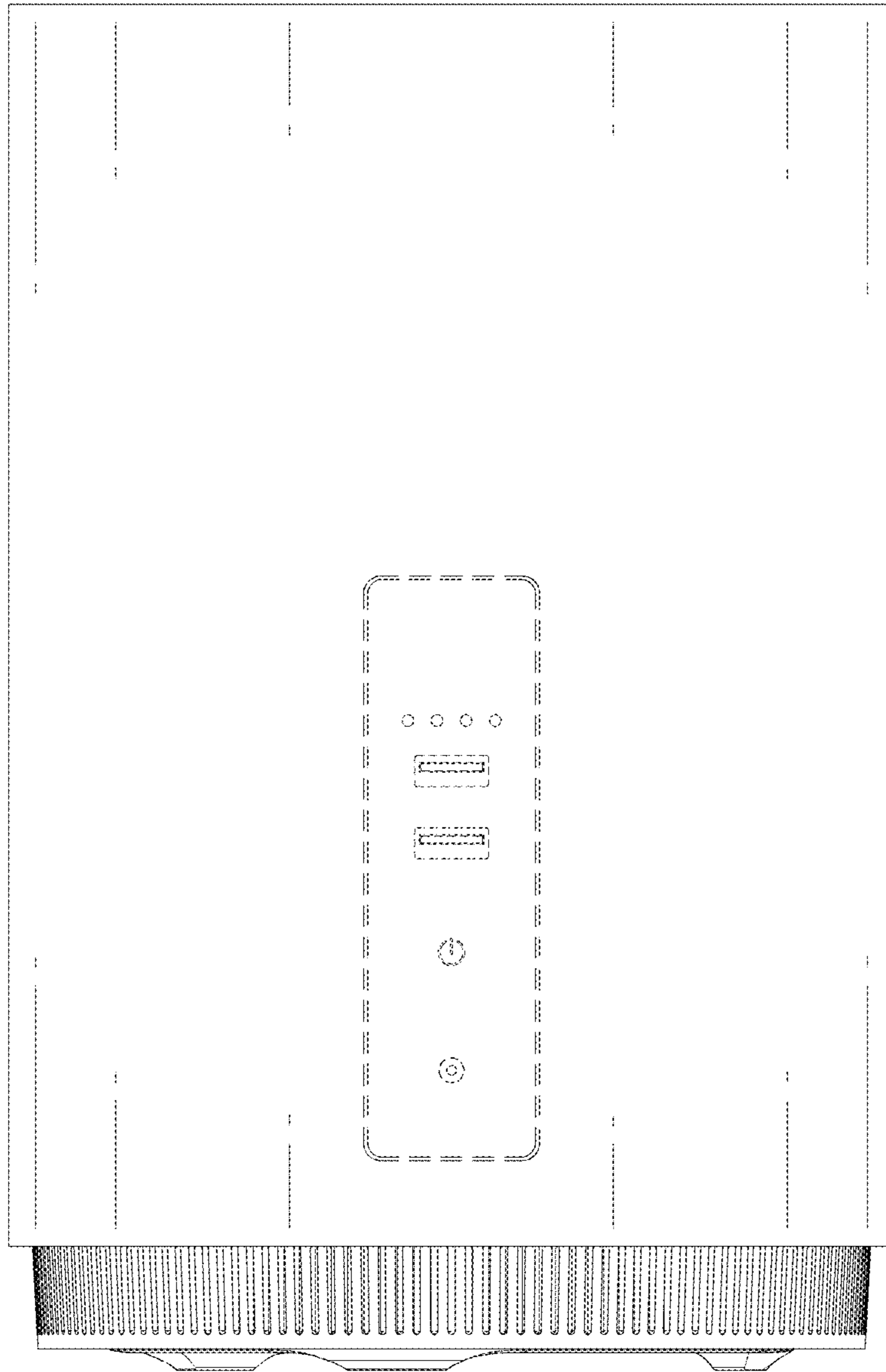


FIG.4

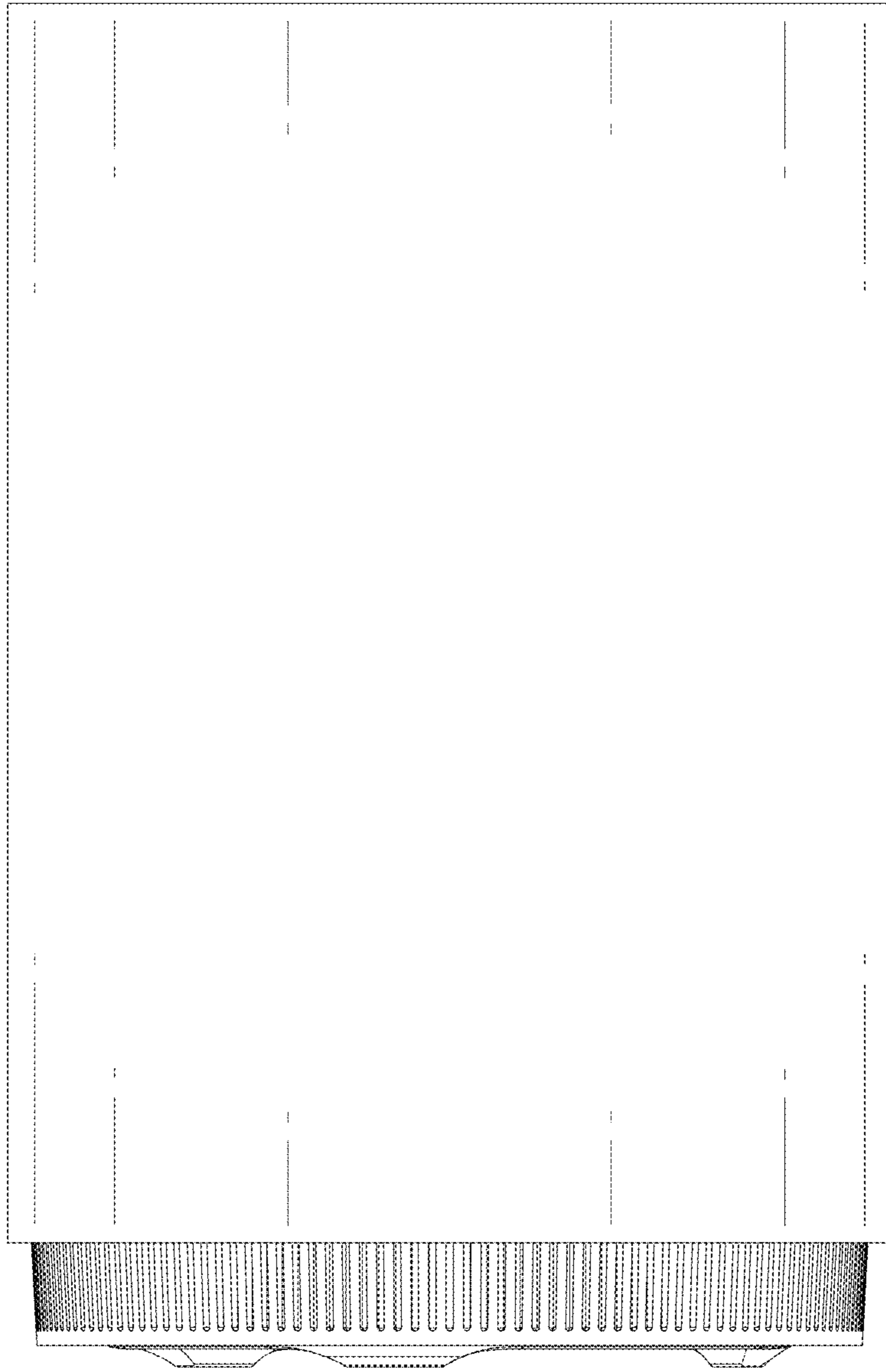


FIG.5

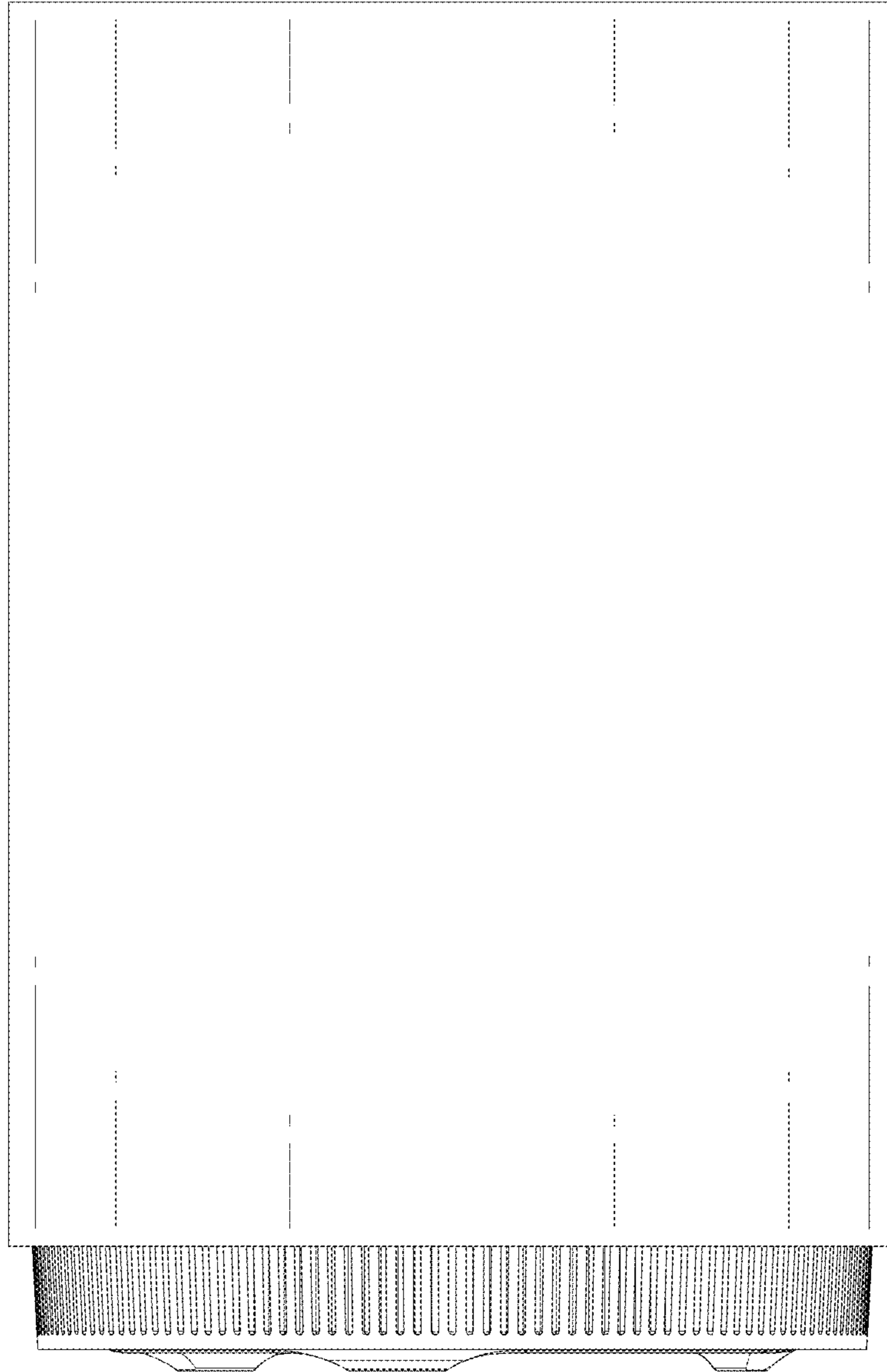


FIG.6

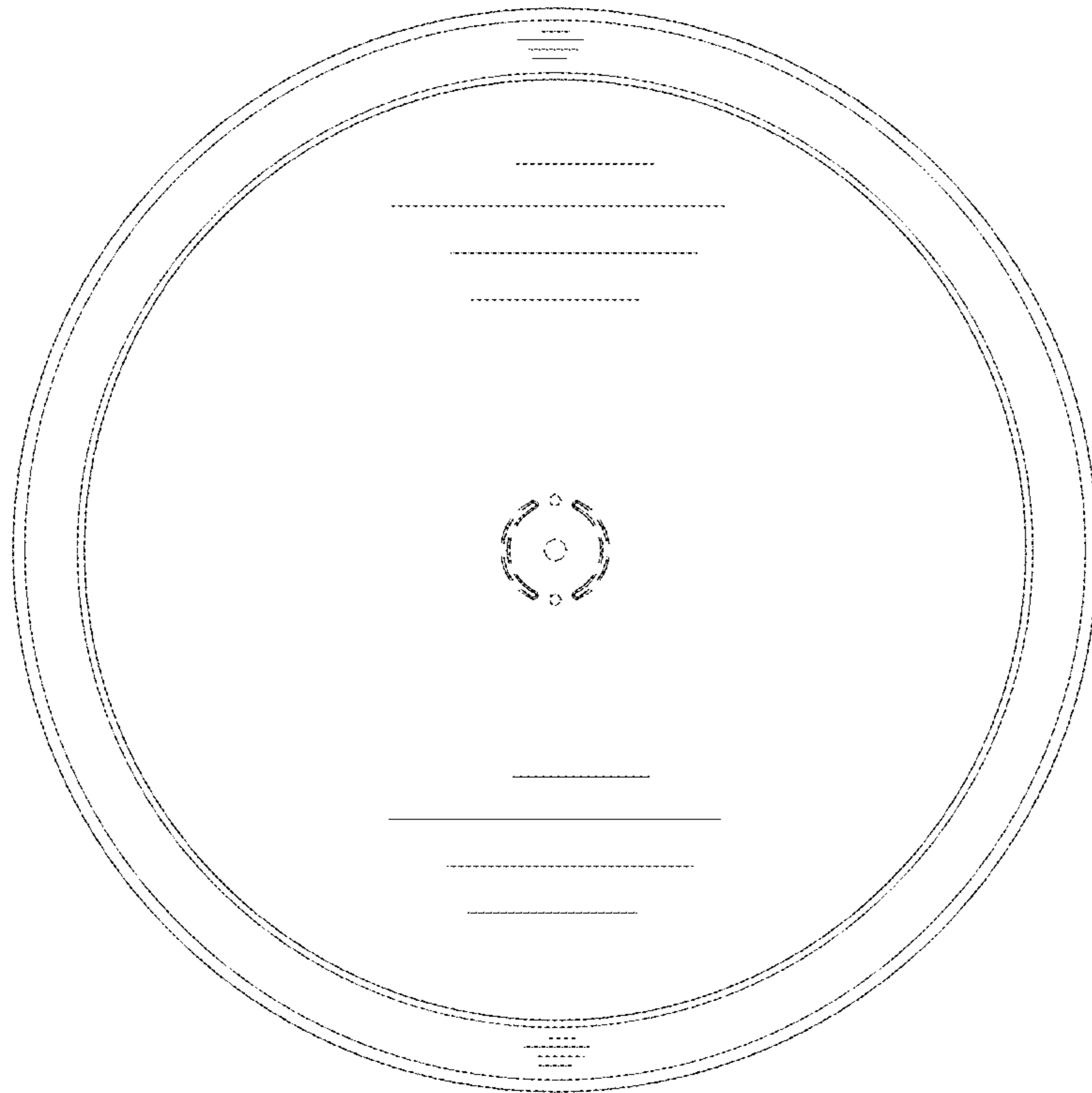


FIG.7

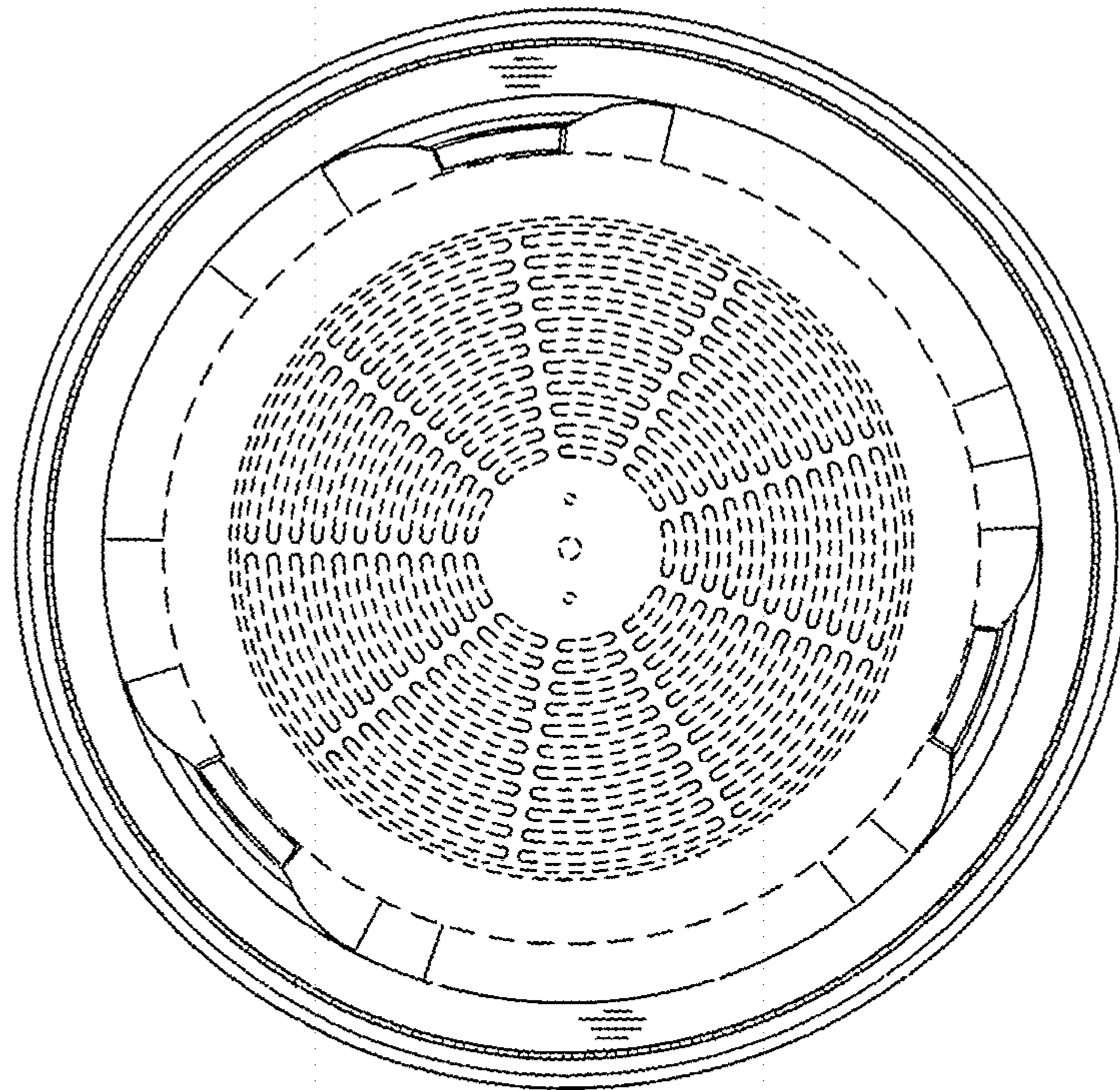


FIG. 8

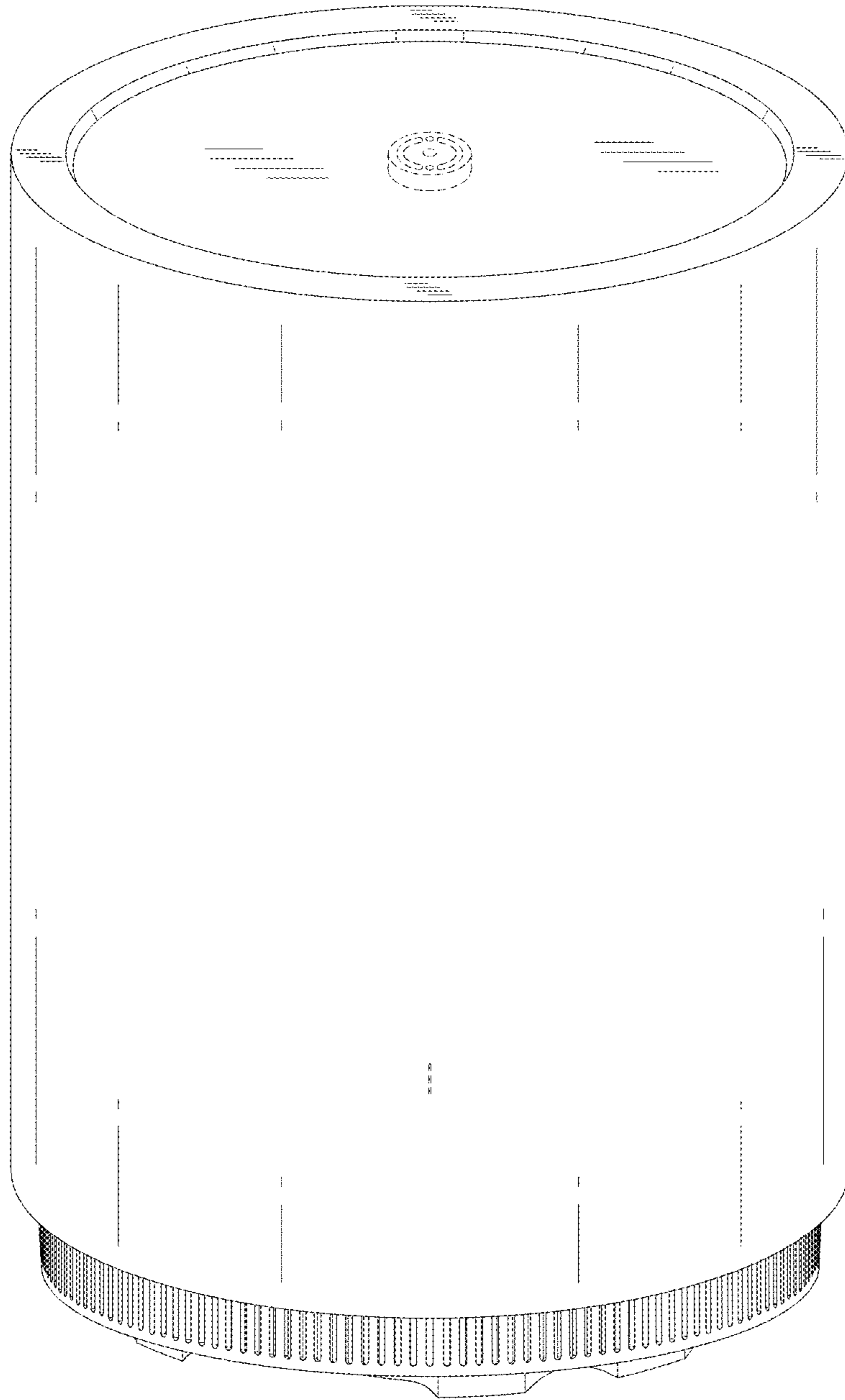


FIG.9

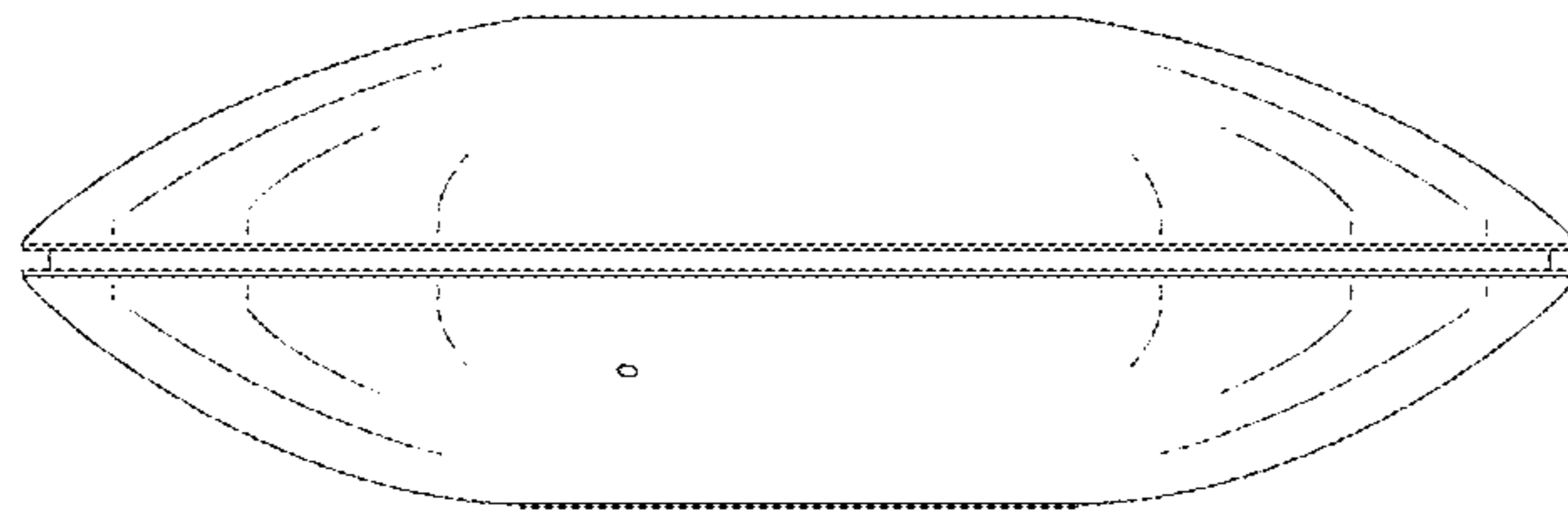


FIG. 10

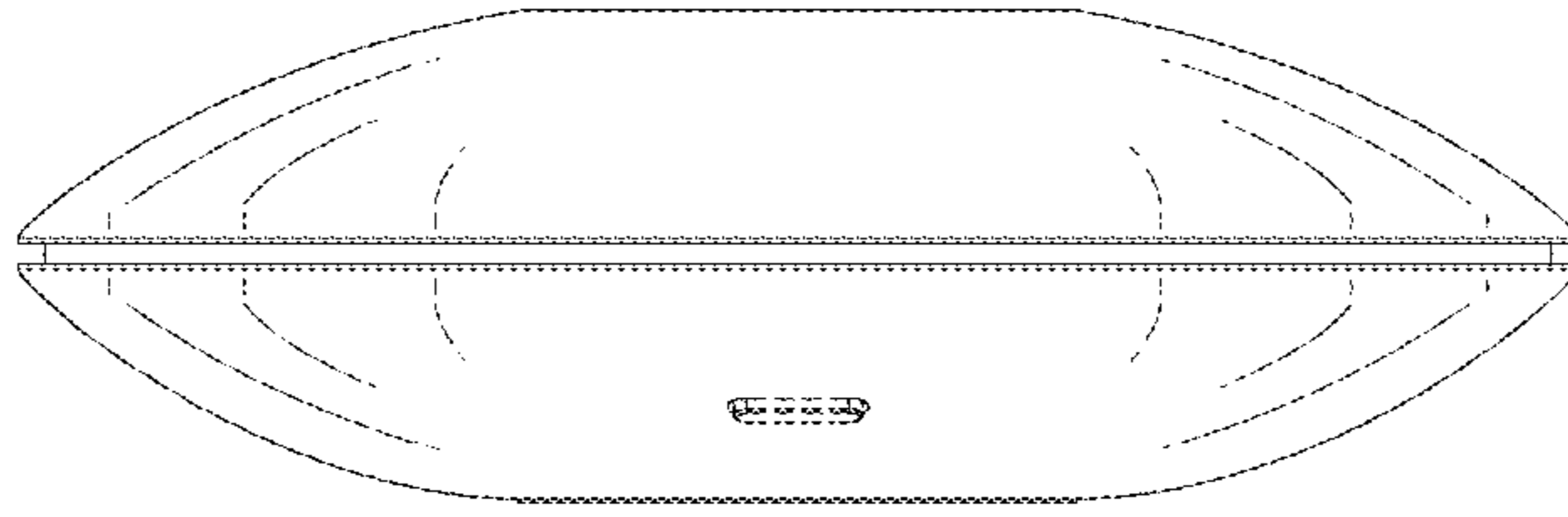


FIG. 11

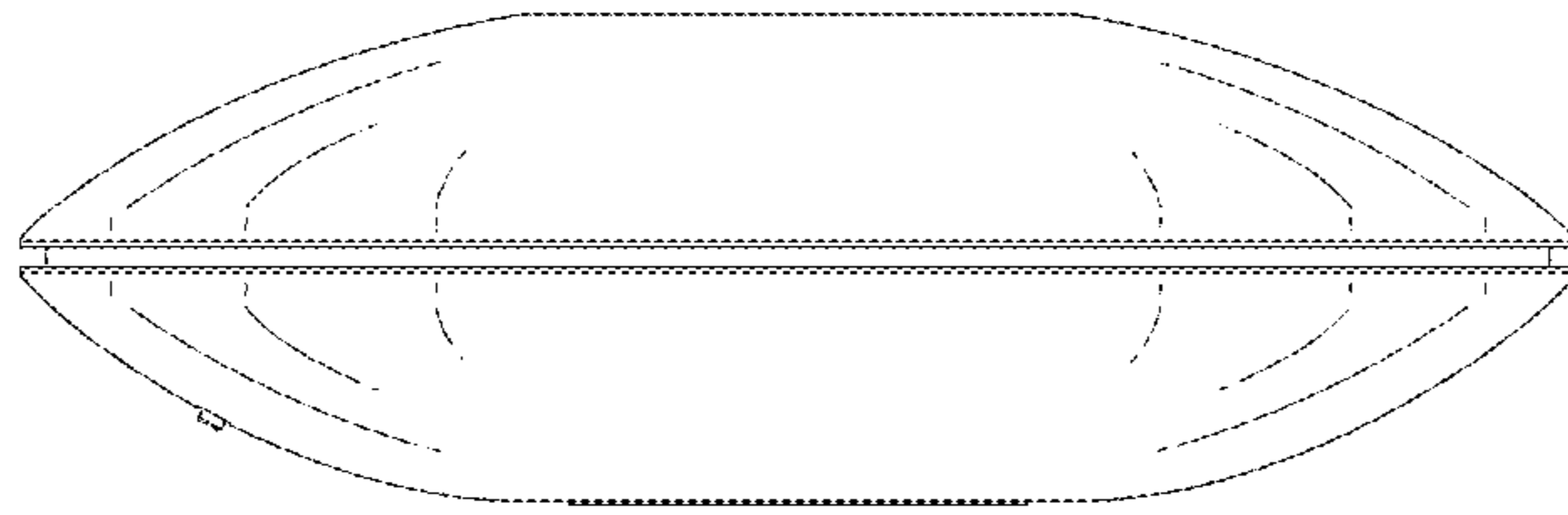


FIG. 12

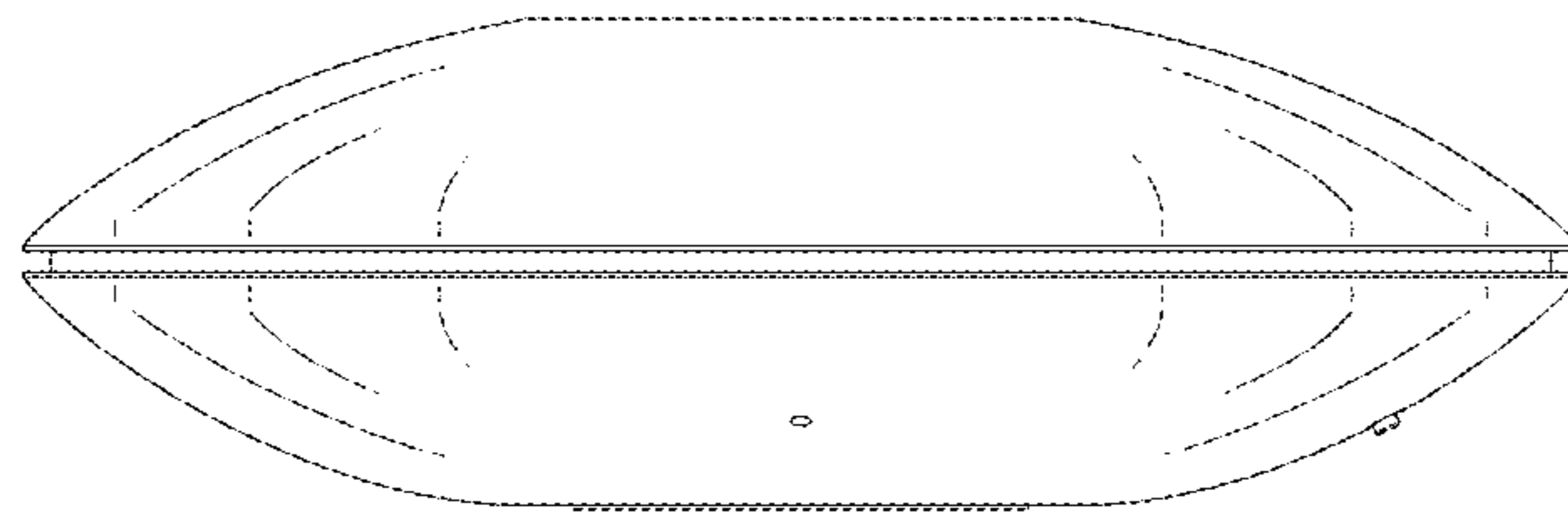


FIG. 13

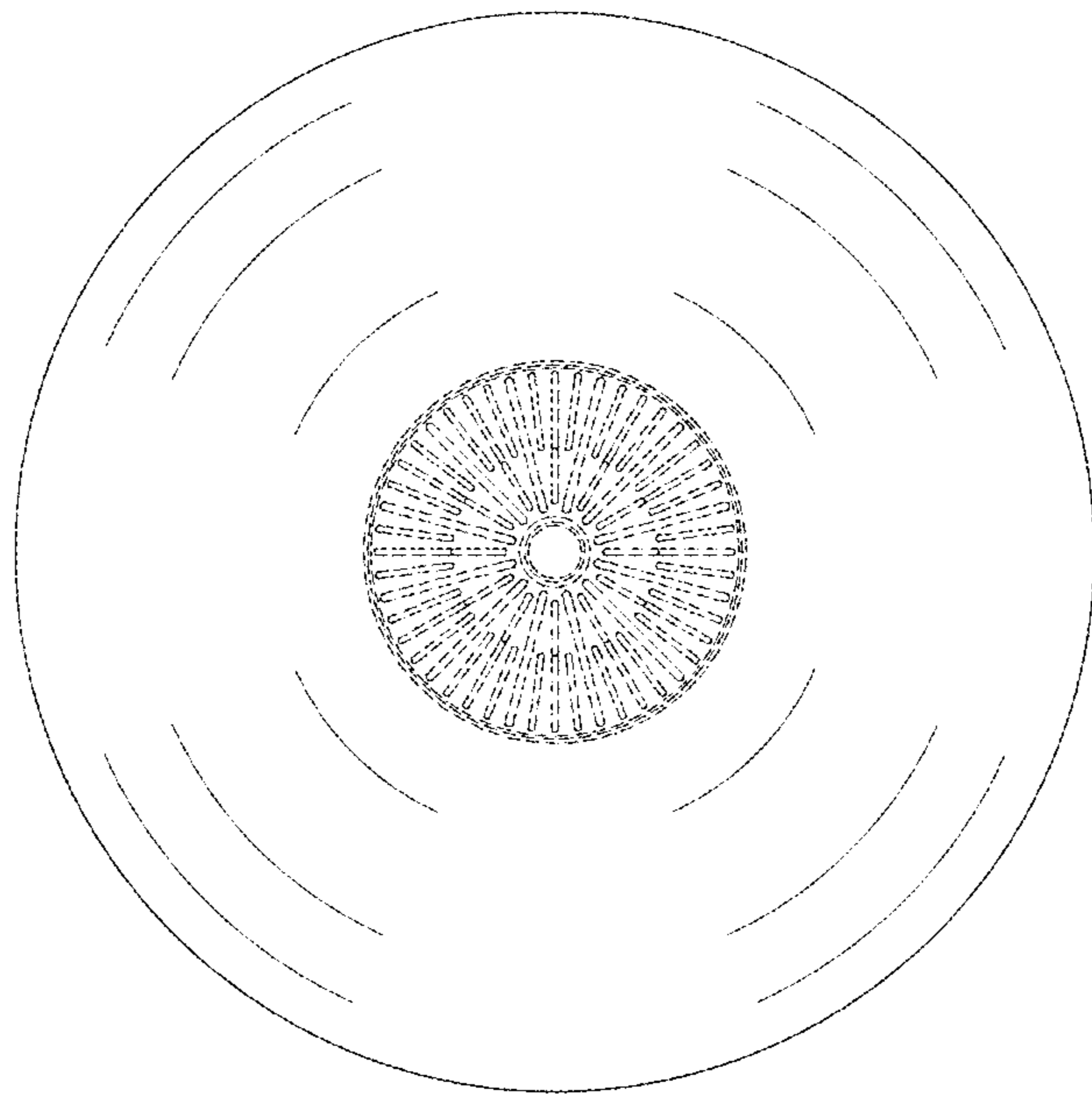


FIG.14

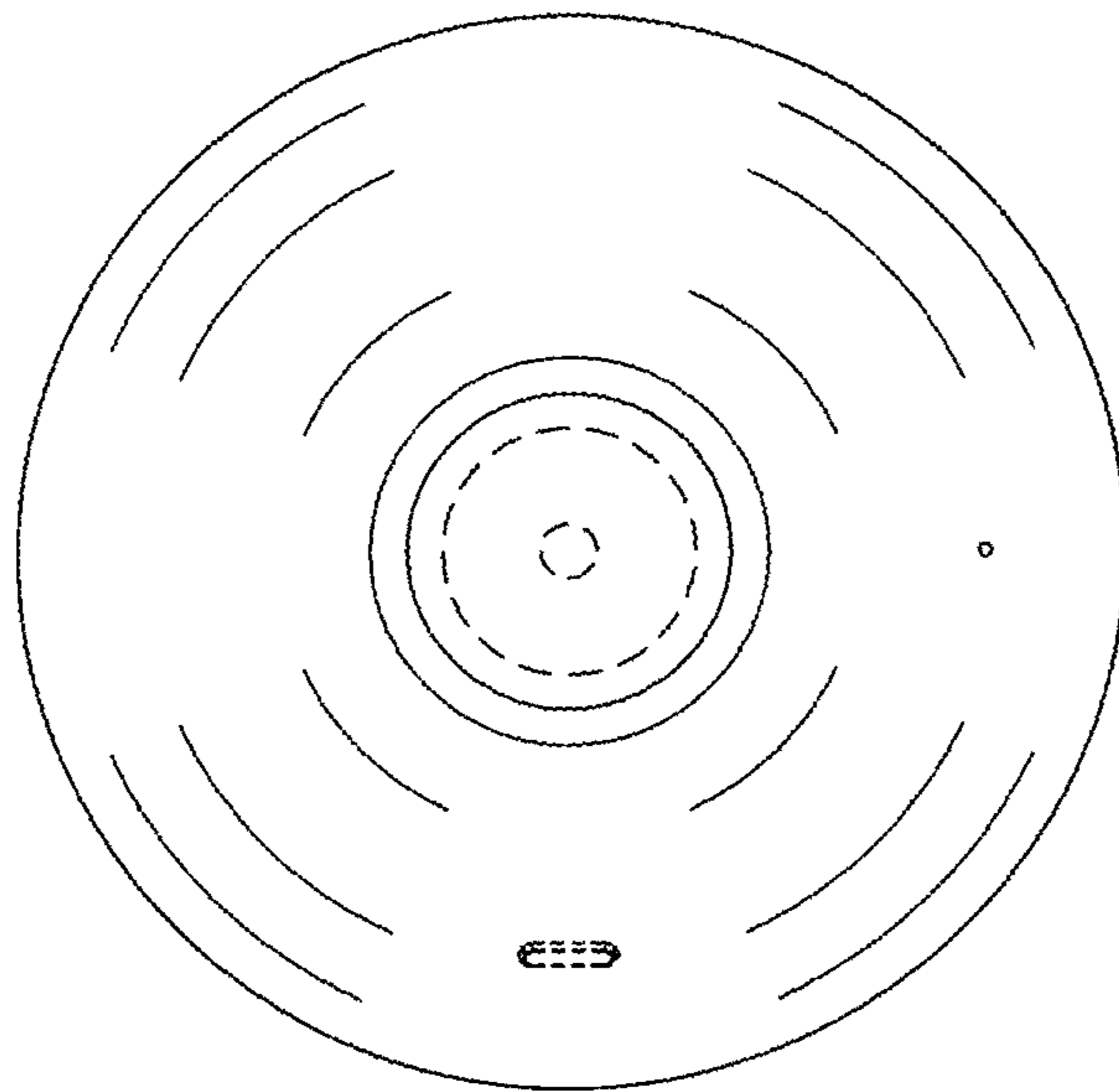


FIG.15

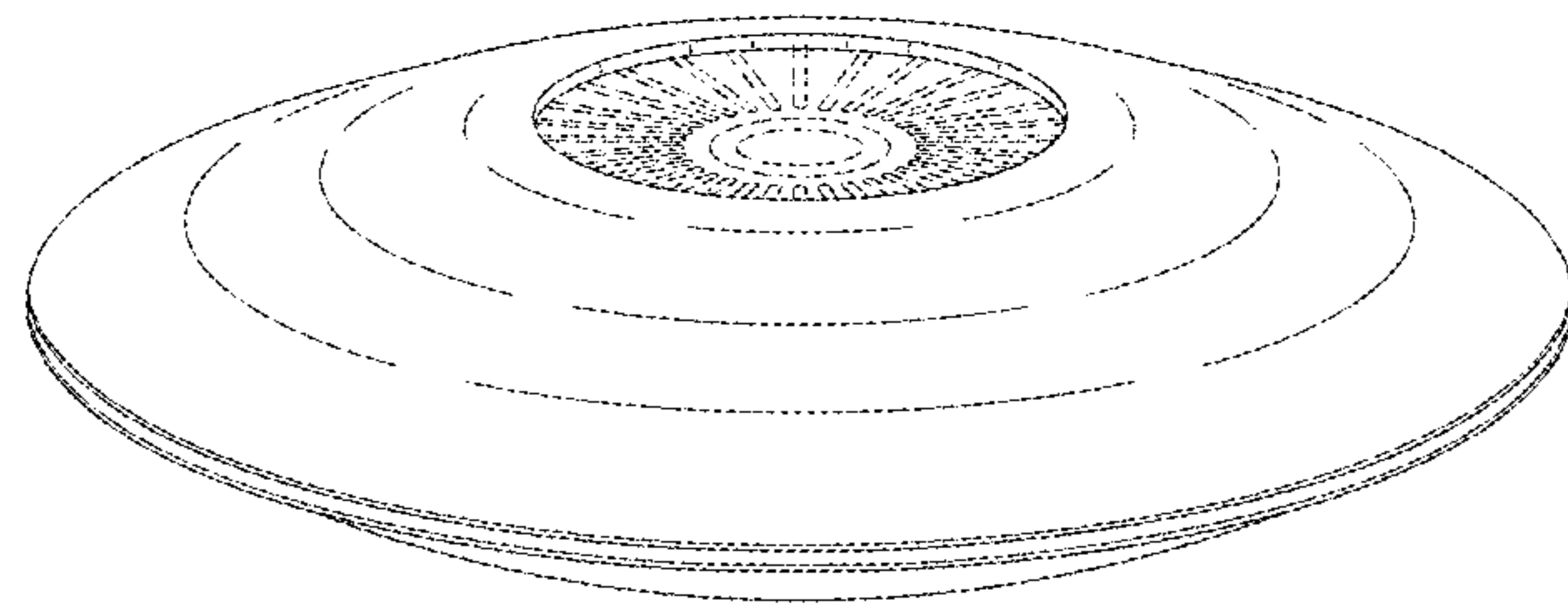


FIG.16