



US00D778875S

(12) **United States Design Patent**  
**Lukic et al.**

(10) **Patent No.:** **US D778,875 S**

(45) **Date of Patent:** **\*\* Feb. 14, 2017**

(54) **SPEAKER**

(71) Applicant: **Logitech Europe S.A.**, Lausanne (CH)

(72) Inventors: **Branko Lukic**, Menlo Park, CA (US);  
**Steven Takayama**, Menlo Park, CA (US); **David Yim**, Vancouver, WA (US);  
**Steven Pooler**, Vancouver, WA (US); **Steve King**, Vancouver, WA (US); **Zach Hayes**, Vancouver, WA (US); **Doug Ebert**, Portland, OR (US)

(73) Assignee: **Logitech Europe S.A.**, Lausanne (CH)

(\*\*) Term: **15 Years**

(21) Appl. No.: **29/527,471**

(22) Filed: **May 19, 2015**

(51) **LOC (10) Cl.** ..... **14-03**

(52) **U.S. Cl.**  
USPC ..... **D14/216**

(58) **Field of Classification Search**  
USPC ..... D14/162, 167-169, 175, 179, 188,  
D14/194-198, 217, 257, 265, 299, 496;  
330/1 R, 3, 4, 250; 381/86, 120;  
455/344-351  
CPC .. B60R 11/02; B60R 11/0205; B60R 11/0217;  
G10K 9/22; G10K 15/04; H03F  
1/26; H03F 1/3247; H03F 3/24; H03F  
3/181; H03F 3/189; H03F 3/45197; H03F  
2200/03; H03F 2200/324; H03F  
2200/336; H03F 2200/543; H03F  
2203/45488; H03G 3/02; H03G  
3/20; H04R 1/02; H04R 1/028; H04R  
3/00; H04R 3/12; H04R 2420/07; H04R  
2499/13

See application file for complete search history.

(56) **References Cited**

**U.S. PATENT DOCUMENTS**

D325,733 S \* 4/1992 Suzuki ..... D14/137  
D537,072 S \* 2/2007 Kim ..... D14/215

D560,209 S \* 1/2008 Kim ..... D14/215  
D560,480 S \* 1/2008 Tamura ..... D8/383  
D636,760 S \* 4/2011 Cheng ..... D14/216  
D643,022 S \* 8/2011 Hou ..... D14/216  
D671,924 S \* 12/2012 Choi ..... D14/239  
D700,904 S \* 3/2014 Miller ..... D13/168

(Continued)

*Primary Examiner* — Keli L Hill

(74) *Attorney, Agent, or Firm* — Kilpatrick Townsend & Stockton LLP

(57) **CLAIM**

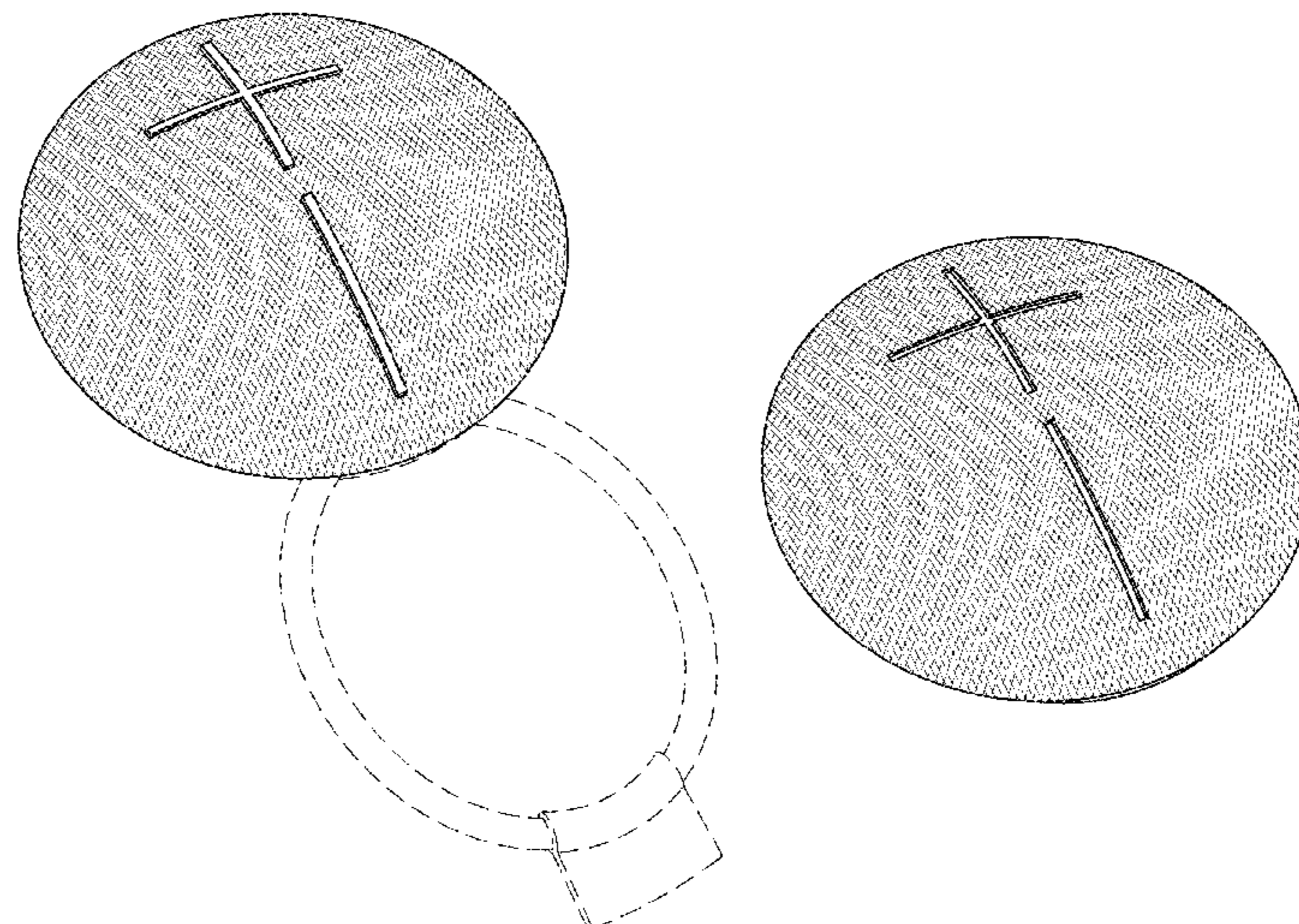
The ornamental design for a speaker, as shown and described.

**DESCRIPTION**

FIG. 1 is a perspective view of a first embodiment of a speaker showing our new design;  
FIG. 2 is an alternate perspective view thereof;  
FIG. 3 is a top plan view thereof;  
FIG. 4 is a bottom plan view thereof;  
FIG. 5 is a front elevation view thereof;  
FIG. 6 is a rear elevation view thereof;  
FIG. 7 is a right side view thereof;  
FIG. 8 is a top plan view thereof;  
FIG. 9 is a perspective view of a second embodiment of a speaker showing our new design;  
FIG. 10 is an alternate perspective view thereof;  
FIG. 11 is a top plan view thereof;  
FIG. 12 is a bottom plan view thereof;  
FIG. 13 is a front elevation view thereof;  
FIG. 14 is a rear elevation view thereof;  
FIG. 15 is a right side view thereof; and,  
FIG. 16 is a top plan view thereof.

The perspective views are not drawn to scale with respect to the orthographic views. The broken lines shown represent unclaimed subject matter and form no part of the claimed design.

**1 Claim, 8 Drawing Sheets**



(56)

**References Cited**

U.S. PATENT DOCUMENTS

D717,770 S	*	11/2014	Yamamoto .....	D14/216
D722,594 S	*	2/2015	Won .....	D14/216
D725,078 S	*	3/2015	Wong .....	D14/216
D736,181 S	*	8/2015	Mackiewicz .....	D14/216

\* cited by examiner



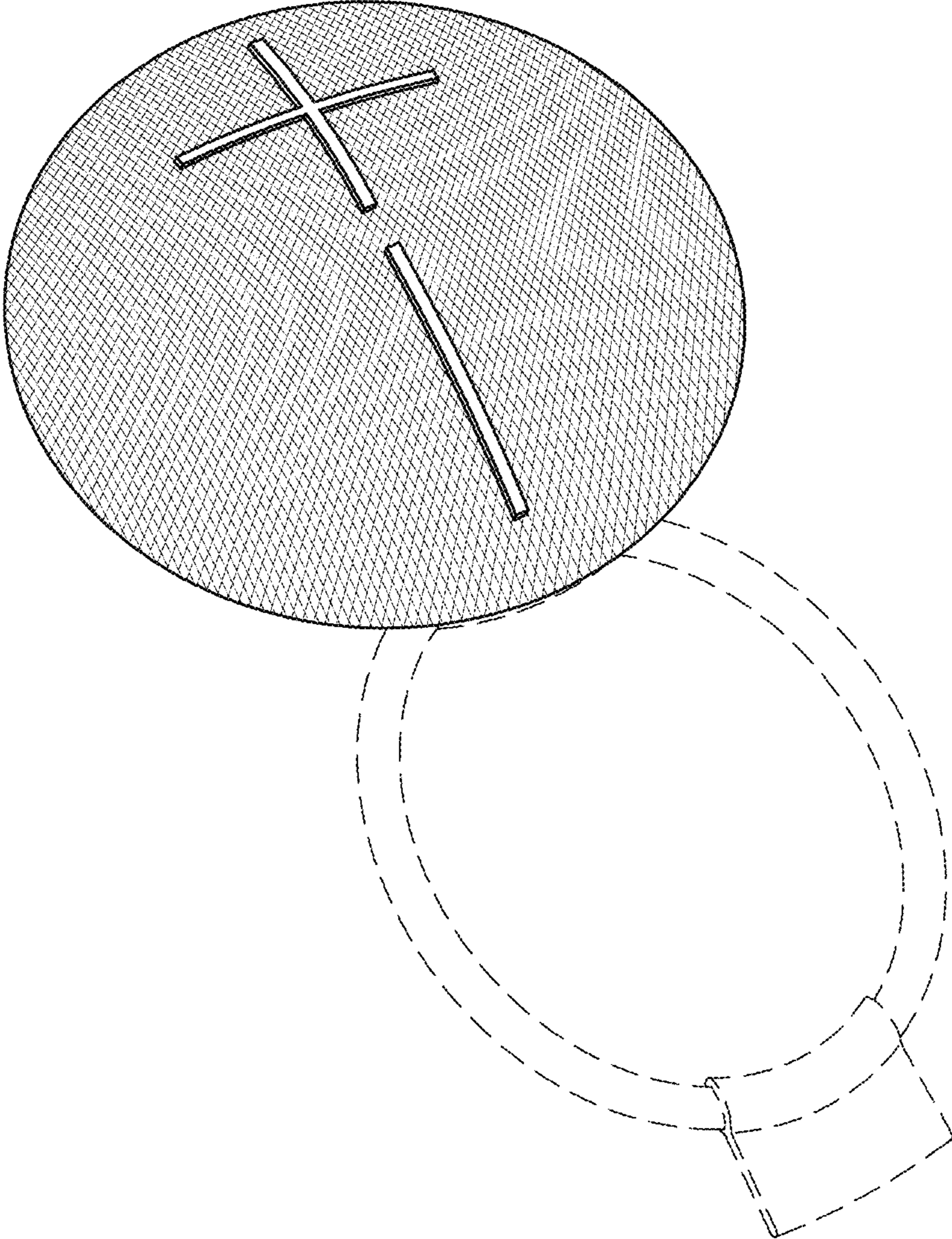


FIG. 1

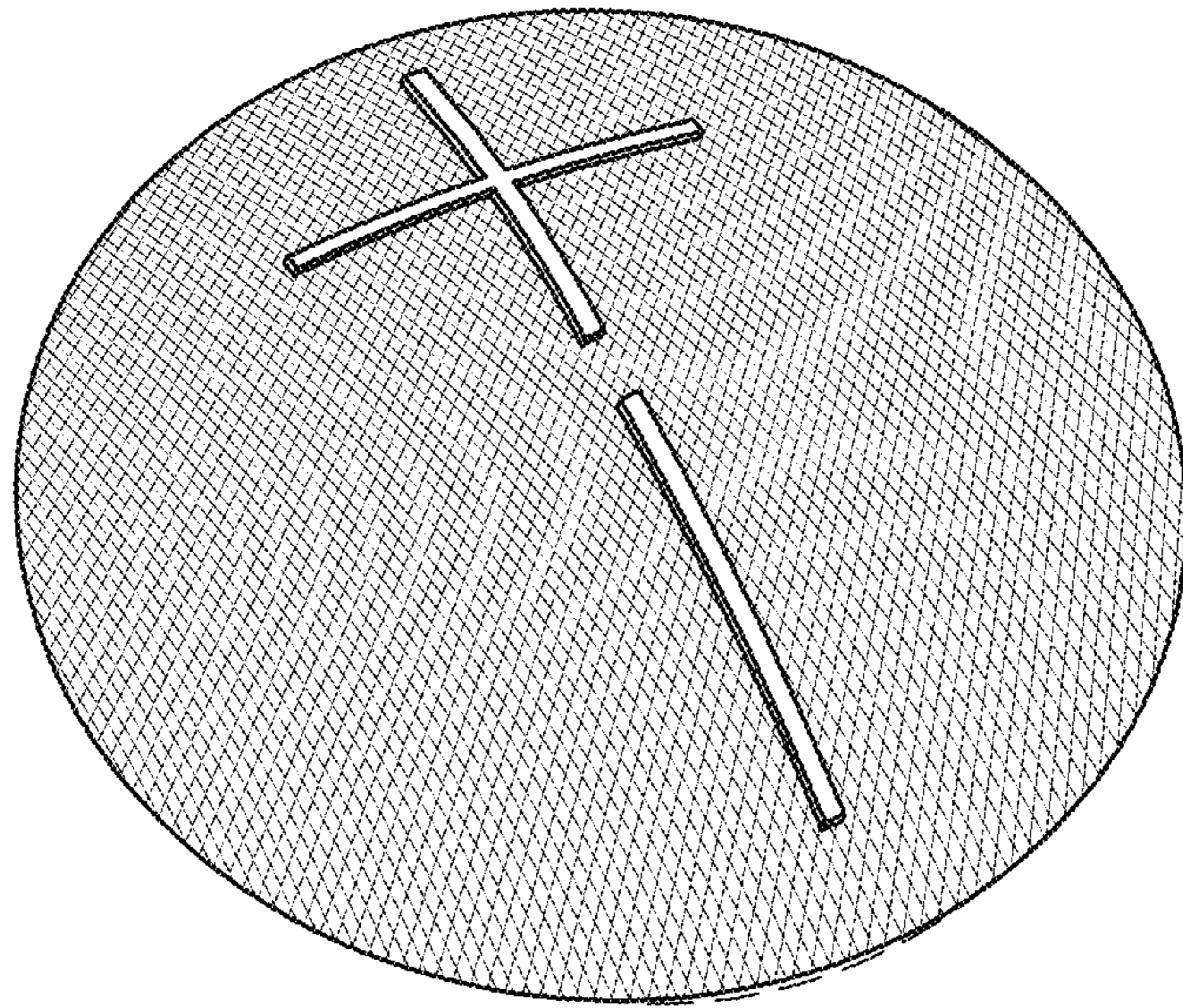


FIG. 2



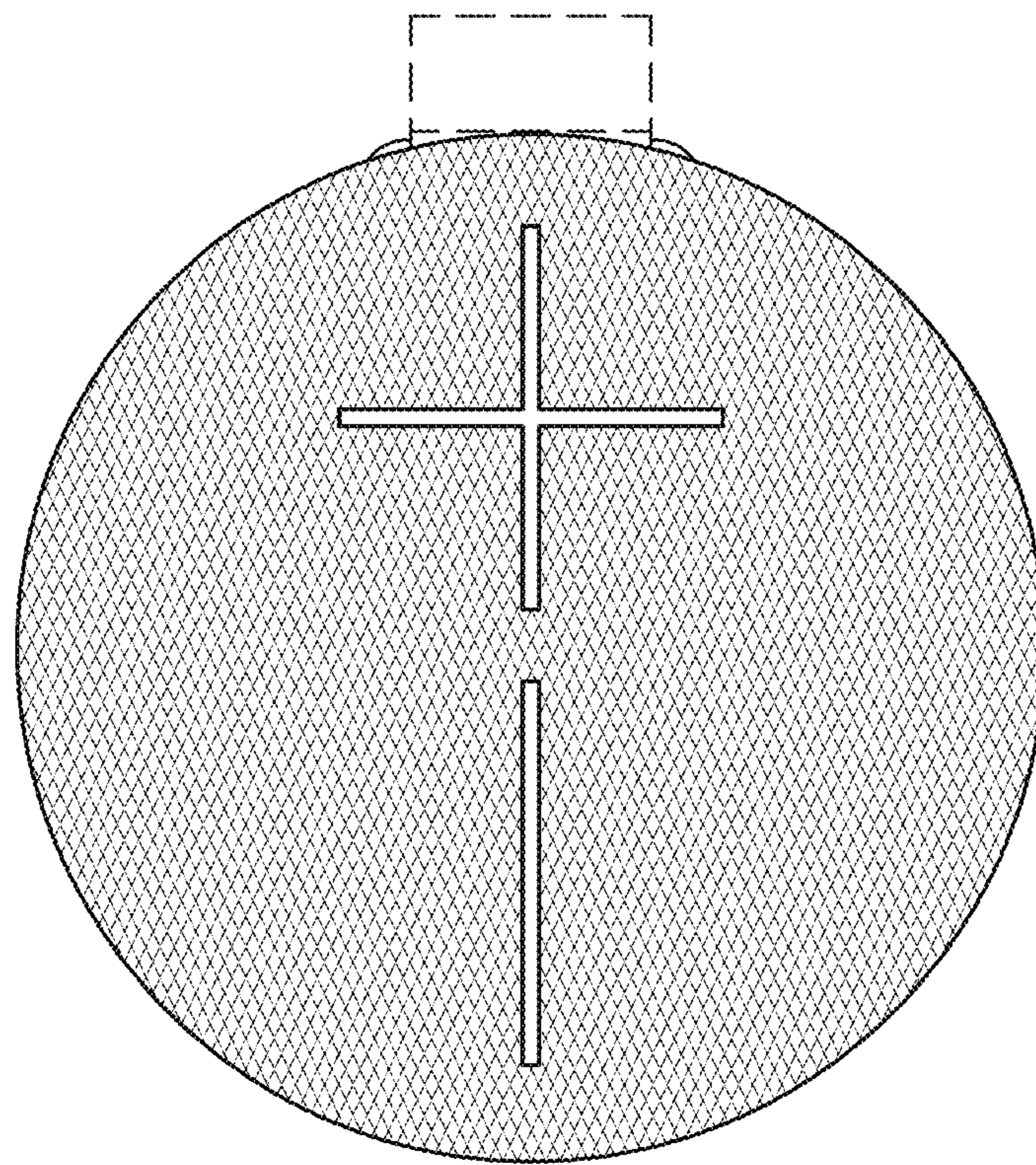


FIG. 3

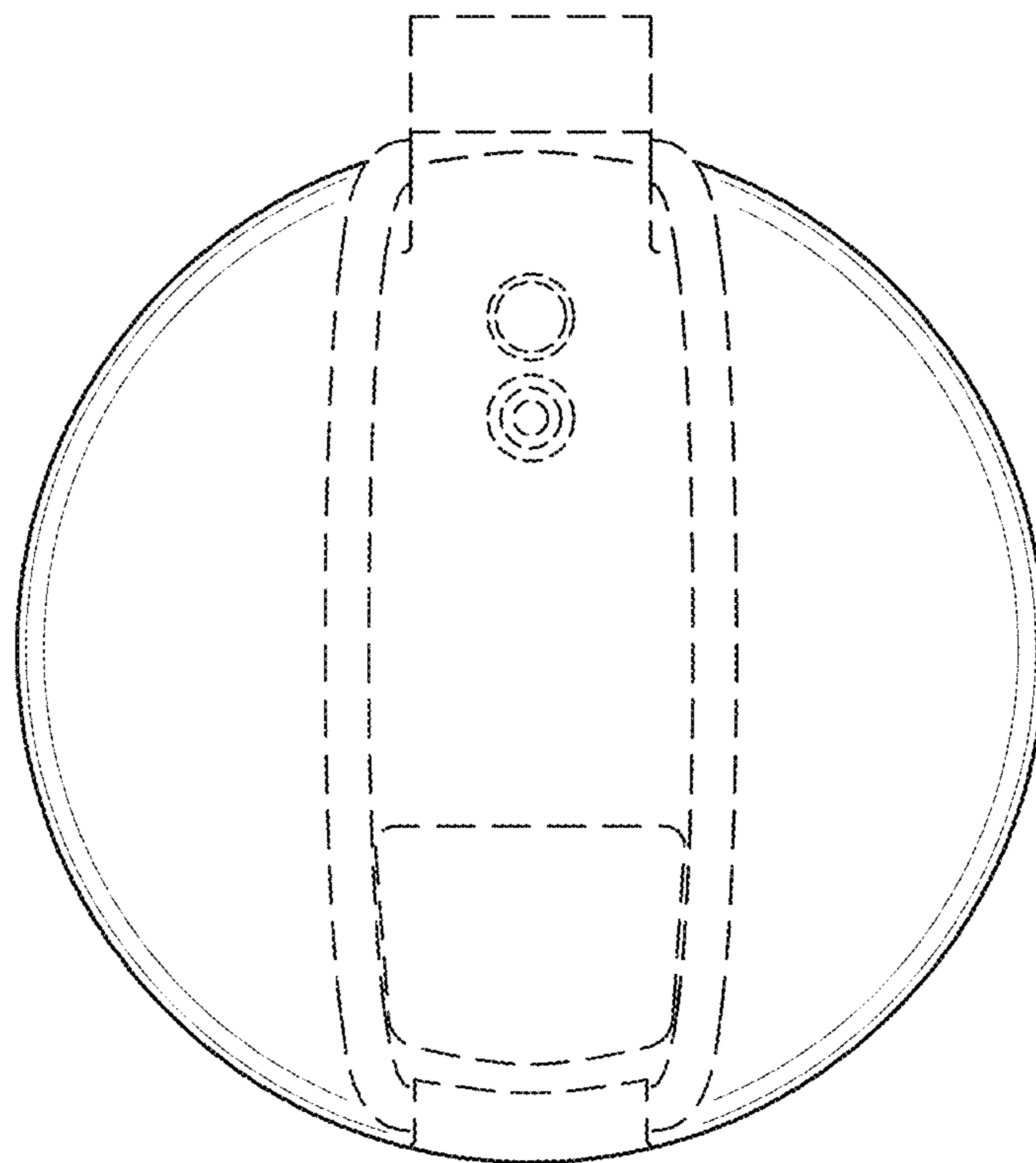


FIG. 4

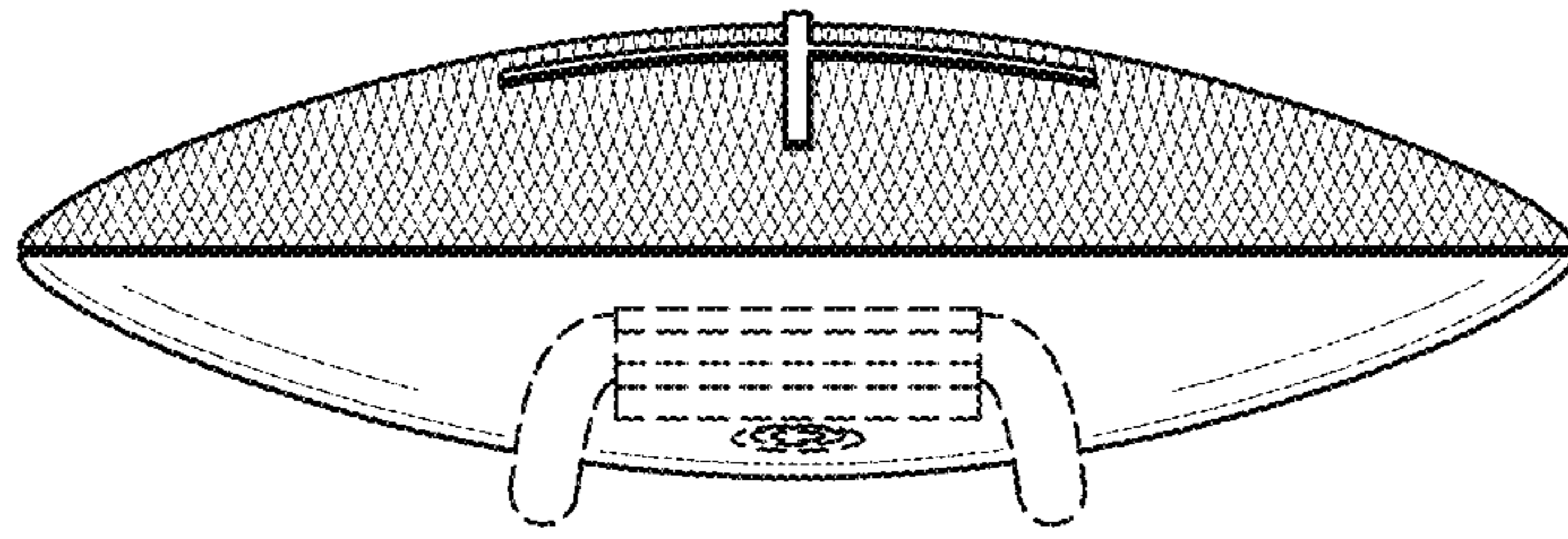


FIG. 5

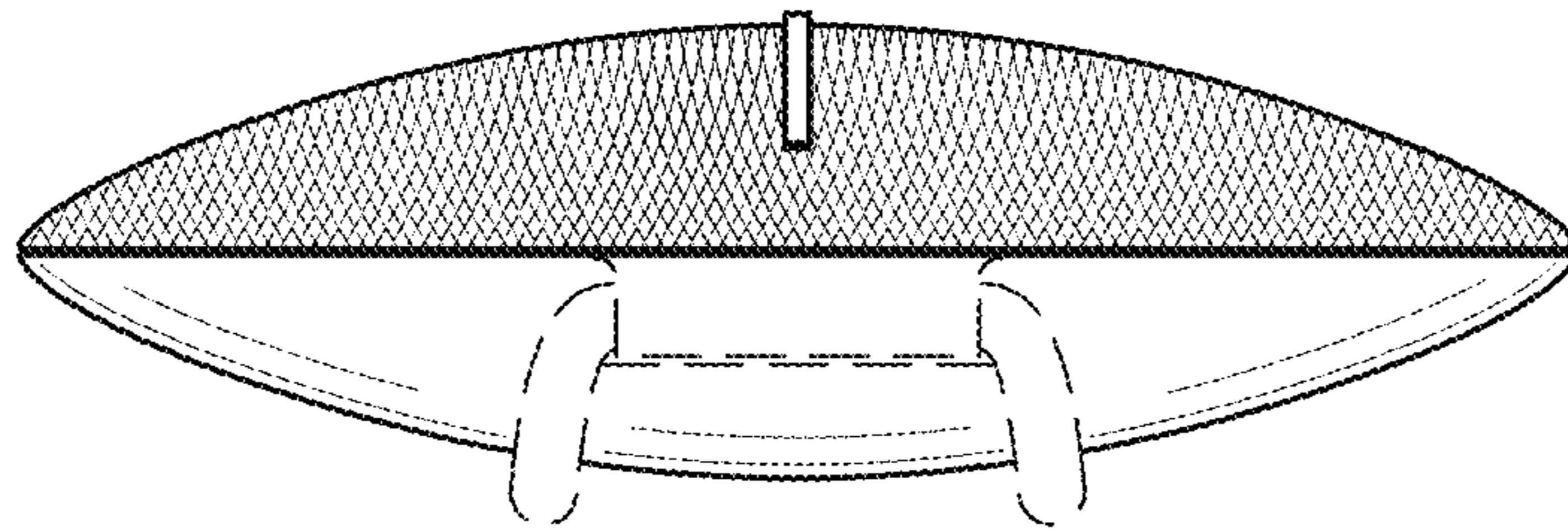


FIG. 6

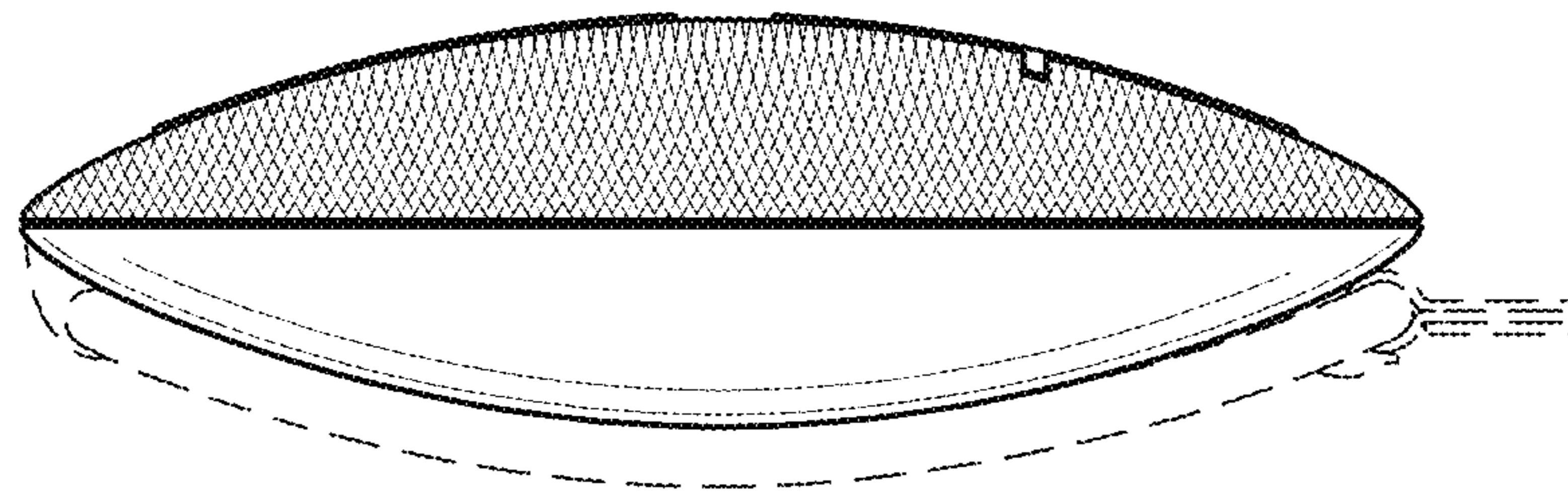


FIG. 7

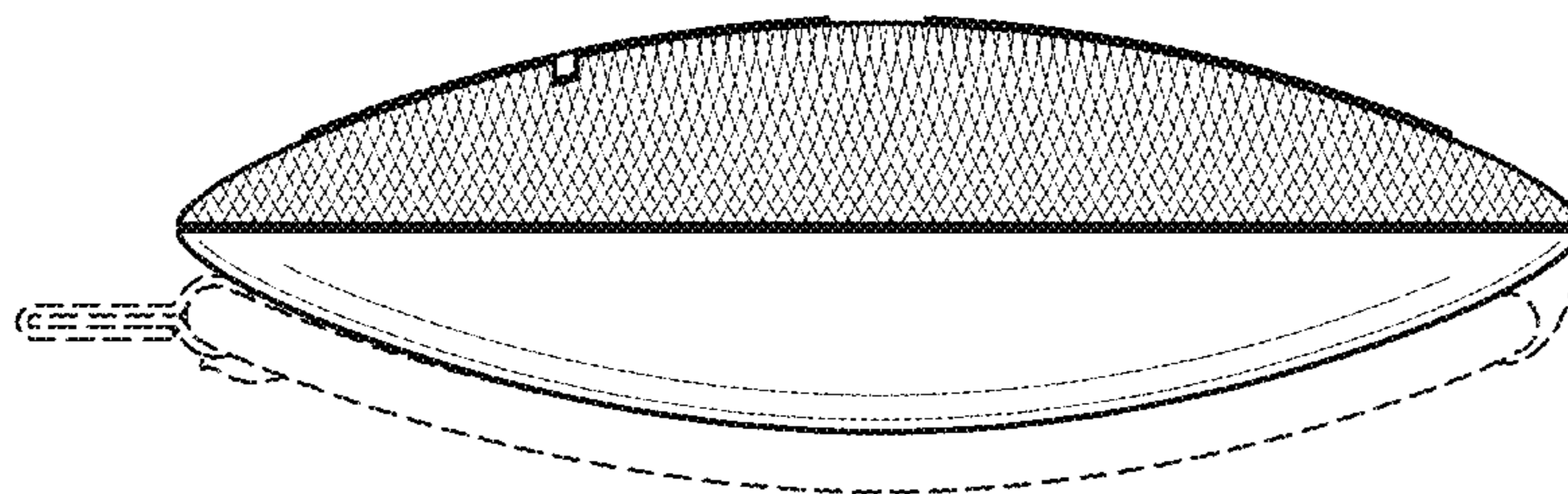


FIG. 8



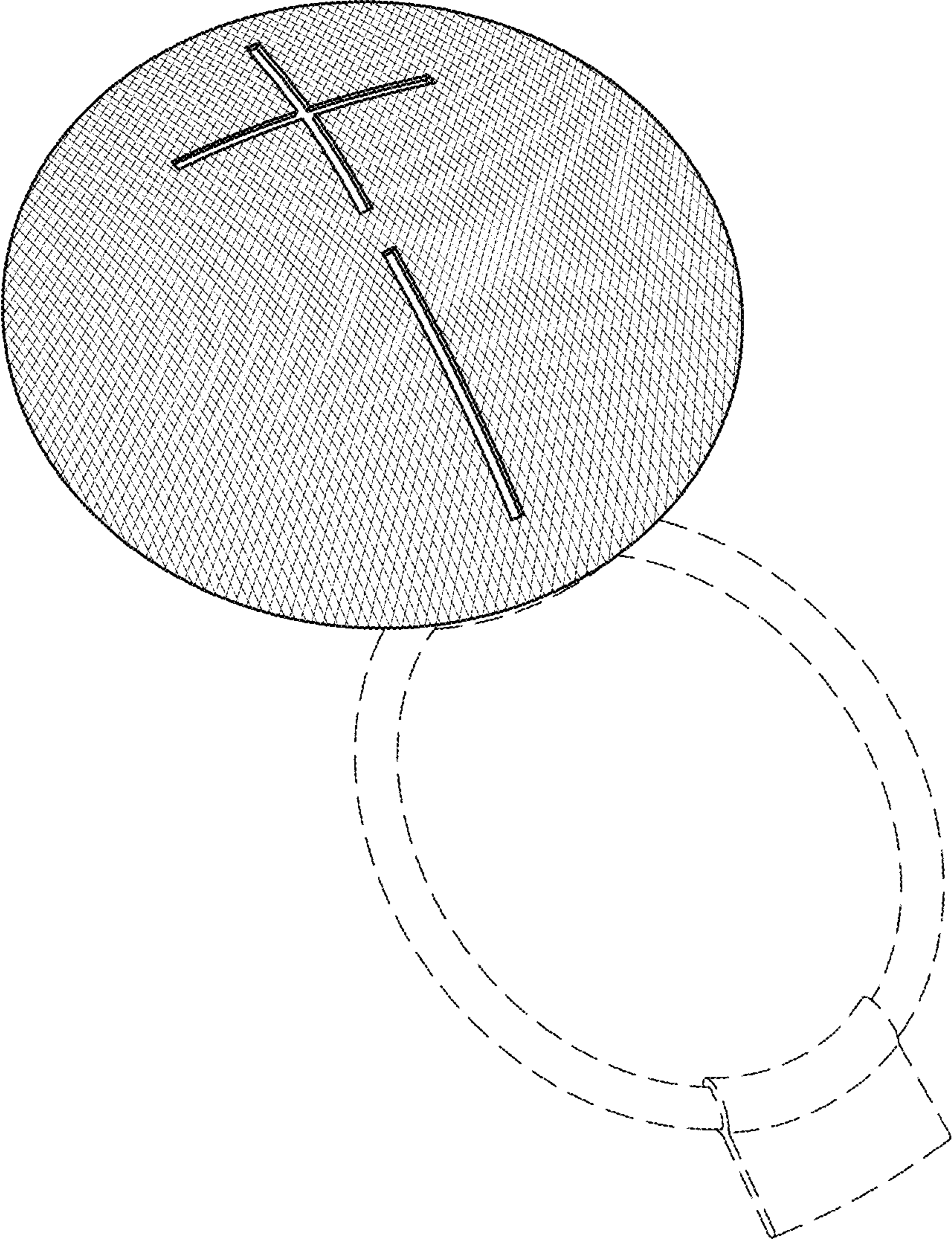


FIG. 9

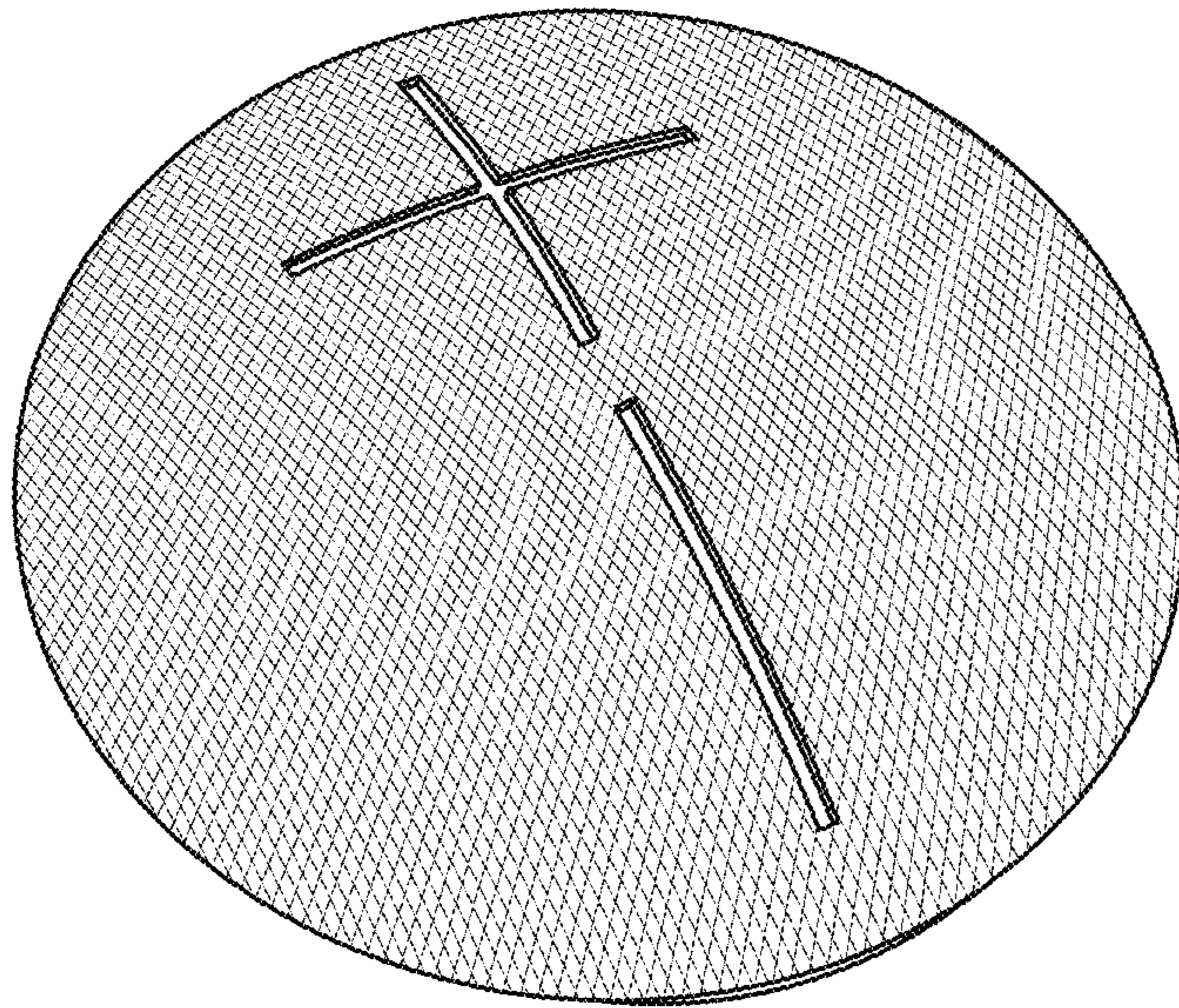


FIG. 10



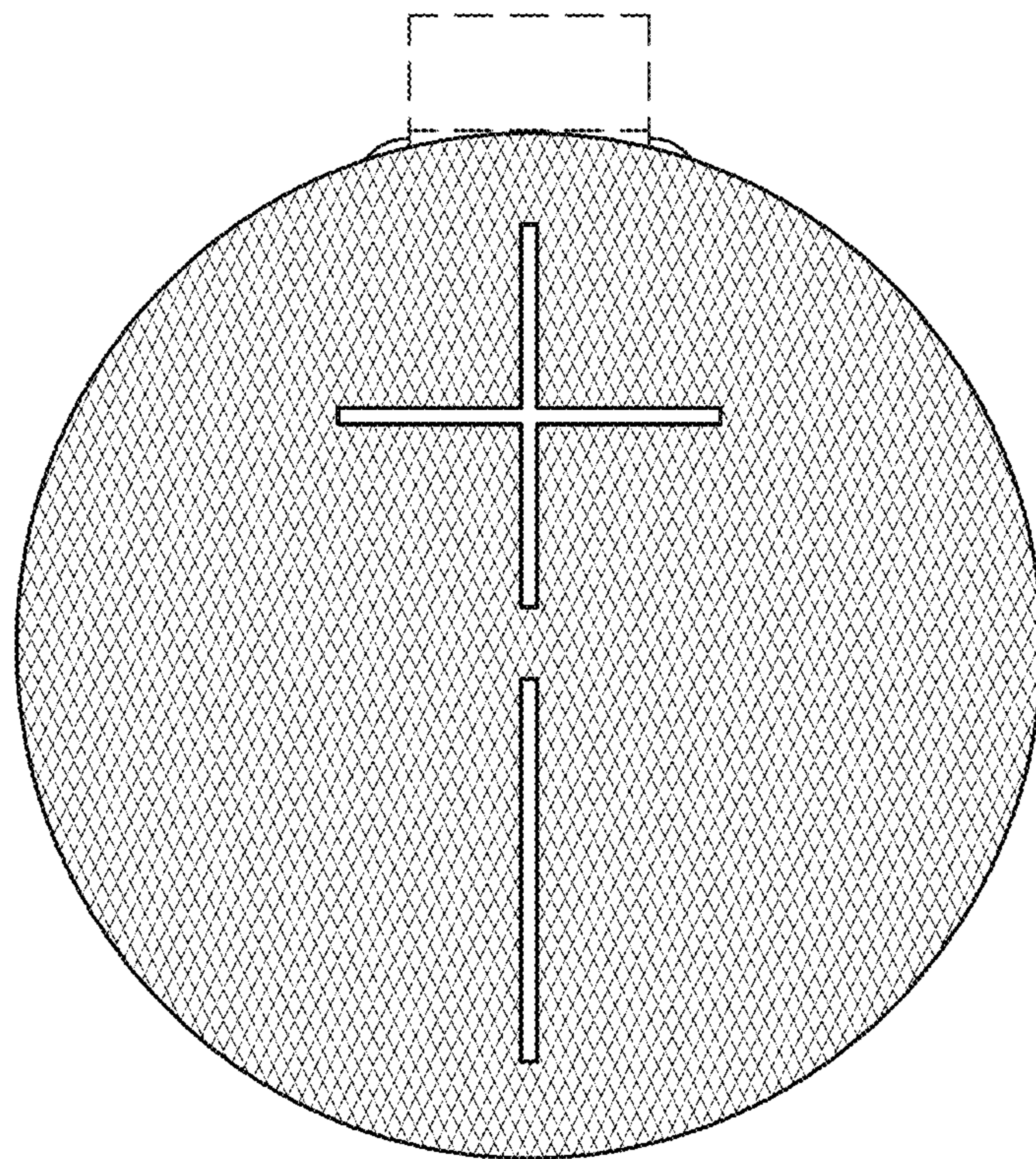


FIG. 11

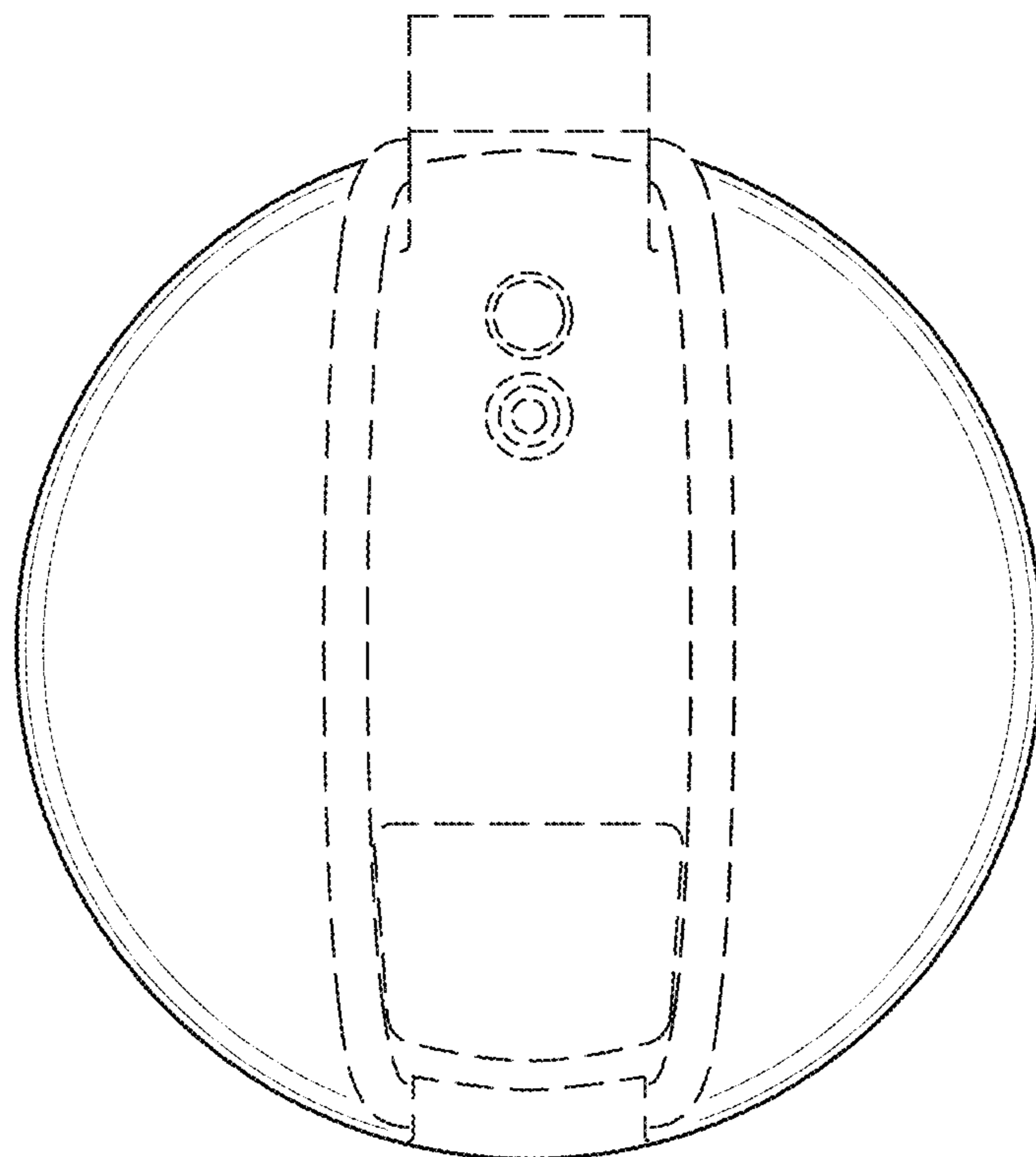


FIG. 12

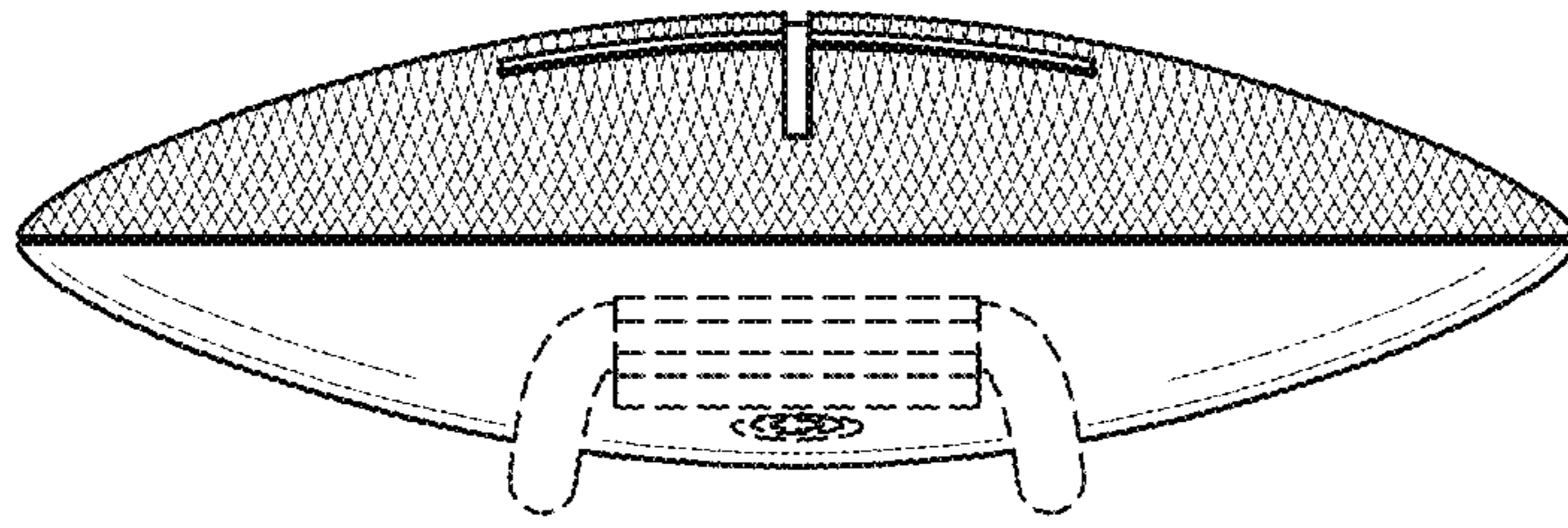


FIG. 13

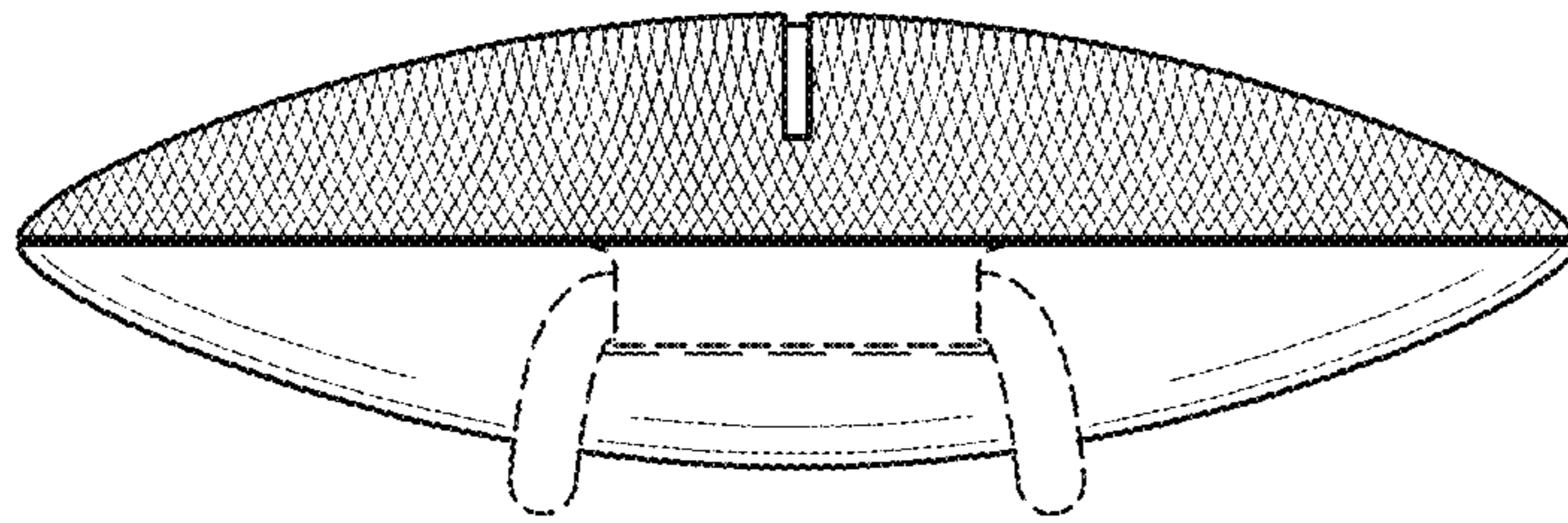


FIG. 14

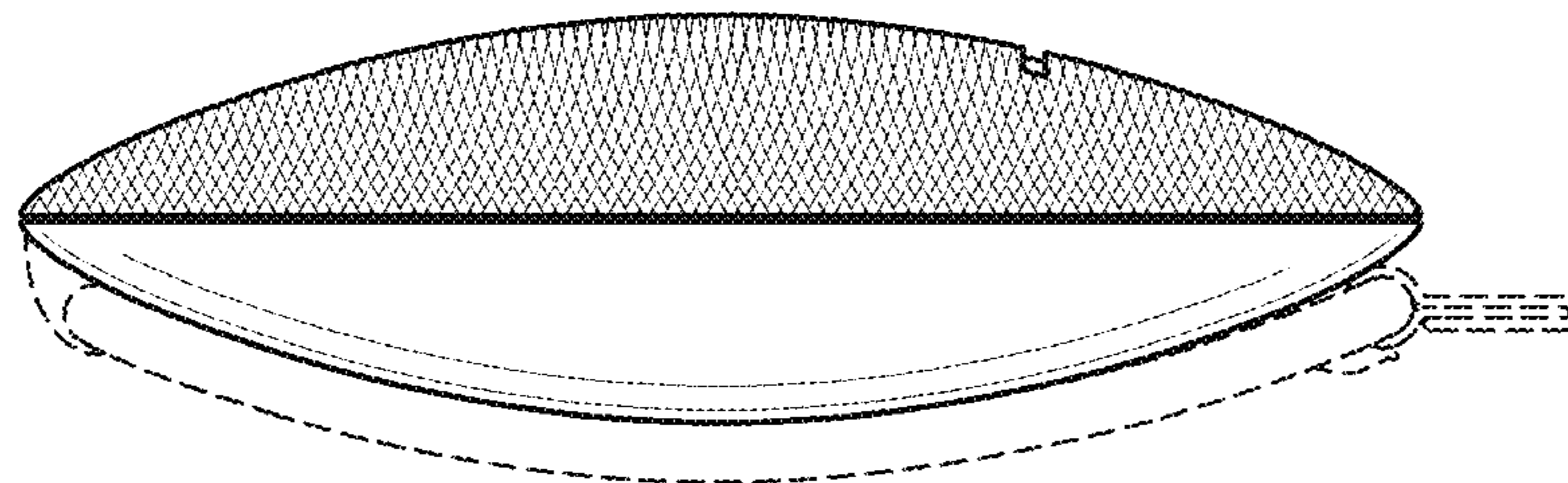


FIG. 15

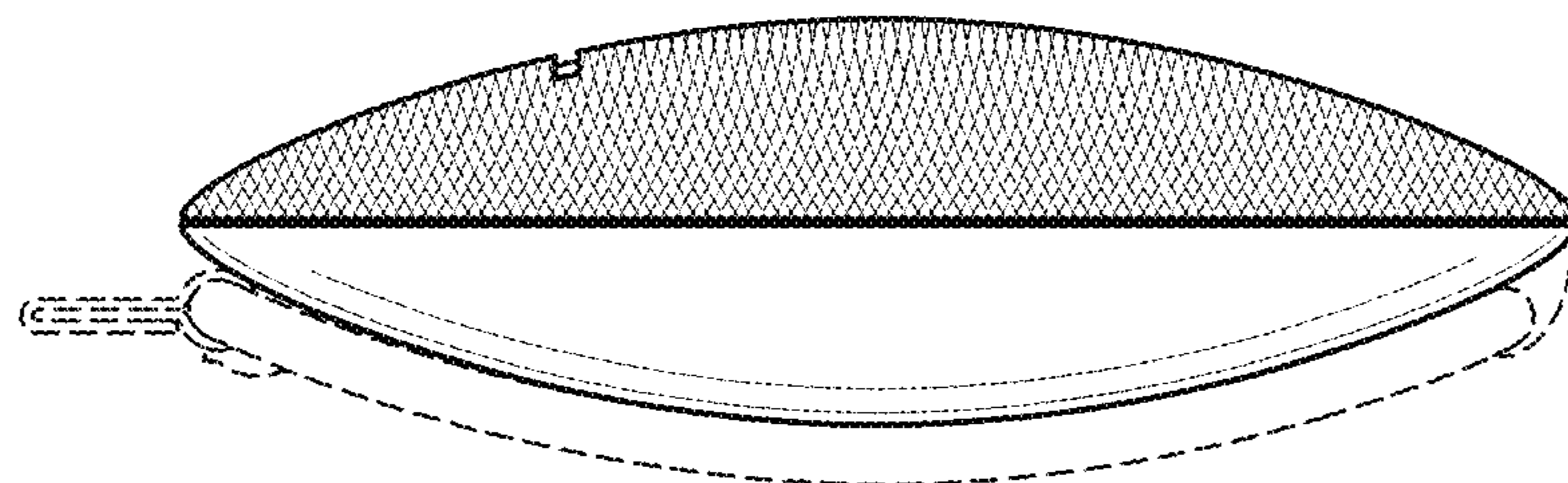


FIG. 16