



US00D778874S

(12) **United States Design Patent**
Lin et al.

(10) **Patent No.:** **US D778,874 S**

(45) **Date of Patent:** **** Feb. 14, 2017**

- (54) **HEADSET**
- (71) Applicant: **KINGSTON DIGITAL, INC.**,
Fountain Valley, CA (US)
- (72) Inventors: **Feng-Sheng Lin**, Hsinchu (TW);
Yu-kuo Huang, Hsinchu (TW); **Peter**
Leekuo Chou, Fountain Valley, CA
(US)
- (73) Assignee: **Kingston Digital, Inc.**, Fountain Valley,
CA (US)
- (**) Term: **15 Years**
- (21) Appl. No.: **29/541,879**
- (22) Filed: **Oct. 8, 2015**
- (51) **LOC (10) Cl.** **14-01**
- (52) **U.S. Cl.**
USPC **D14/205**
- (58) **Field of Classification Search**
USPC D14/205, 223; D29/112; 2/209; 181/129,
181/130, 135; 379/430, 431; 381/380,
381/381, 345, 370, 371, 374, 378;
455/90.3, 575.1
CPC H04R 1/1066; H04R 25/00; H04R 5/033;
H04R 1/10; H04R 1/105
See application file for complete search history.

- D337,115 S * 7/1993 Yamazaki D14/205
- 5,303,426 A * 4/1994 Jones A41D 20/00
2/181
- D348,067 S * 6/1994 Lucey D14/223
- D353,817 S * 12/1994 Wada D14/205
- 6,006,115 A * 12/1999 Wingate H04M 1/6033
379/110.01
- D431,550 S * 10/2000 Yoneda D14/205
- D453,015 S * 1/2002 Yuyama D14/192
- 6,483,925 B1 * 11/2002 Shen H04R 1/105
381/370
- D484,868 S * 1/2004 Suzuki D14/205
- D491,163 S * 6/2004 Green D14/205
- D512,983 S * 12/2005 Tachikawa D14/205
- D514,087 S * 1/2006 Wilson D14/206
- D514,095 S * 1/2006 Wilson D14/223
- D531,165 S * 10/2006 Rath D14/206
- D532,407 S * 11/2006 Motoishi D14/205
- D541,255 S * 4/2007 Taylor D14/205

(Continued)

Primary Examiner — Paula Greene

(74) *Attorney, Agent, or Firm* — Skaar Ulbrich Macari,
P.A.

(57) **CLAIM**

We claim the ornamental design for a headset, as shown and described.

DESCRIPTION

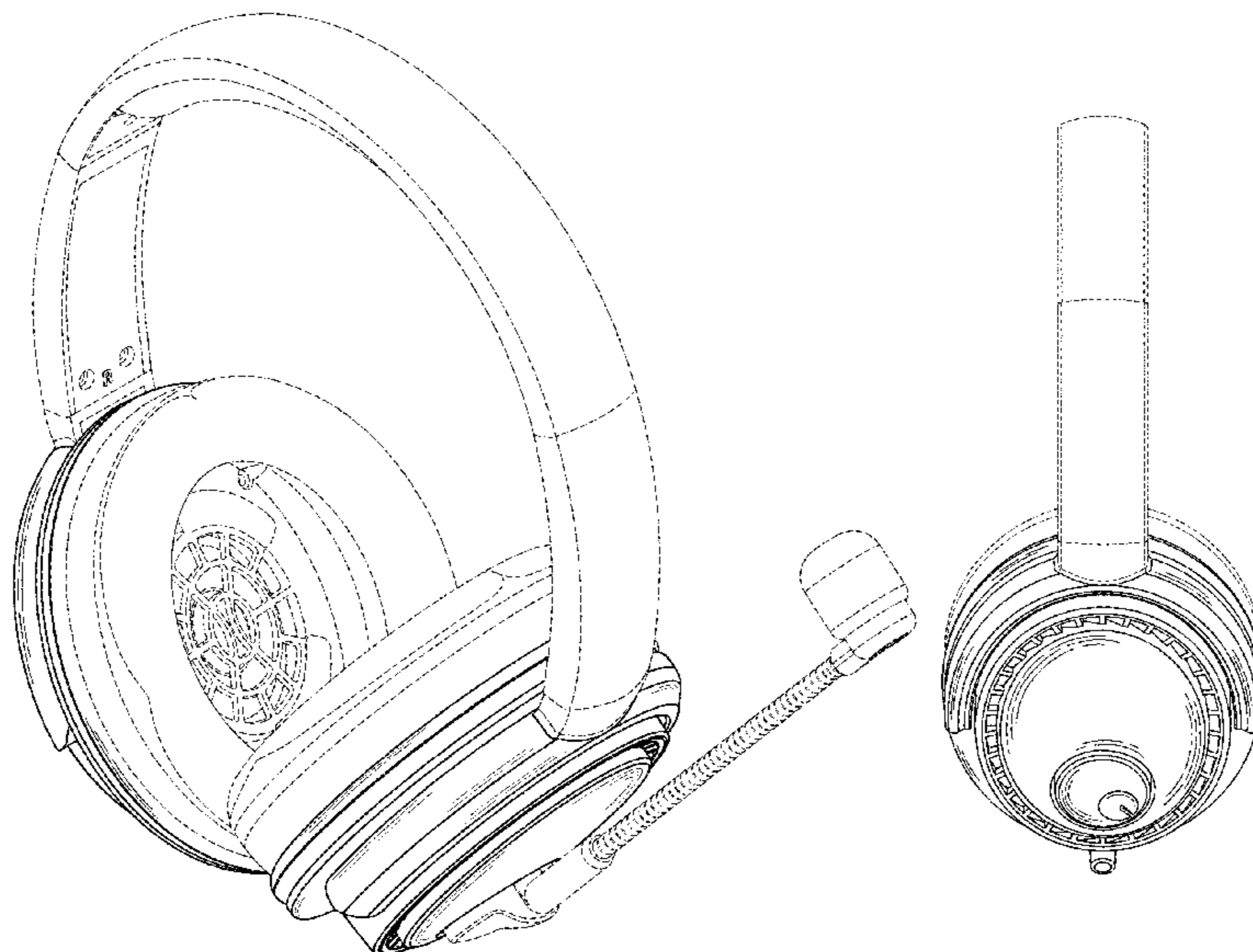
FIG. 1 is a perspective view of a headset showing the claimed design;
 FIG. 2 is a front elevational view of FIG. 1;
 FIG. 3 is a rear elevational view of FIG. 1;
 FIG. 4 is a left side elevational view of FIG. 1;
 FIG. 5 is a right side elevational view of FIG. 1;
 FIG. 6 is a top plan view of FIG. 1; and,
 FIG. 7 is a bottom plan view of FIG. 1.
 The broken lines are directed to environment and are provided for illustrative purpose only; the broken lines form no part of the claimed design.

1 Claim, 5 Drawing Sheets

(56) **References Cited**

U.S. PATENT DOCUMENTS

- 3,488,457 A * 1/1970 Lahti H04R 1/1008
381/371
- D254,183 S * 2/1980 Doodson D14/205
- D262,019 S * 11/1981 Upshaw D14/205
- D267,286 S * 12/1982 Anderie D29/112
- D272,904 S * 3/1984 Kawano D14/205
- 5,068,923 A * 12/1991 Sjoqvist A61F 11/14
181/129
- D328,074 S * 7/1992 Yamazaki D14/205



(56)

References Cited

U.S. PATENT DOCUMENTS

D556,187 S * 11/2007 Feng D14/205
D563,382 S * 3/2008 Wikel D14/205
D573,581 S * 7/2008 Gondo D14/205
D584,715 S * 1/2009 Brennwald D14/205
D585,871 S * 2/2009 Lee D14/205
D585,872 S * 2/2009 Lee D14/205
D587,684 S * 3/2009 Ham D14/205
D589,492 S * 3/2009 Mistry D14/205
D594,847 S * 6/2009 Suzuki D14/205
7,580,539 B2 * 8/2009 Tachikawa H04R 1/1066
381/374
D603,370 S * 11/2009 Suzuki D14/205
D604,266 S * 11/2009 Milde D14/205
8,098,872 B2 * 1/2012 Chang H04R 1/1075
381/370
8,189,847 B2 * 5/2012 Huang H04R 1/1075
381/186
D673,519 S * 1/2013 Tan D14/205
D712,383 S * 9/2014 McNamara D14/223
D721,052 S * 1/2015 Carr D14/205
D722,302 S * 2/2015 Lee D14/205
D723,509 S * 3/2015 Garland D14/205
D725,636 S * 3/2015 McNamara D14/205
D729,194 S * 5/2015 Boeckel D14/205
D734,297 S * 7/2015 Sasaki D14/205
D745,859 S * 12/2015 Kiuchi D14/205
D758,338 S * 6/2016 Szymanski D14/205
D761,761 S * 7/2016 Ando D14/205
2009/0279729 A1 * 11/2009 Huang H04R 1/1016
381/345
2013/0083955 A1 * 4/2013 Miyazawa H04R 1/1066
381/378

* cited by examiner

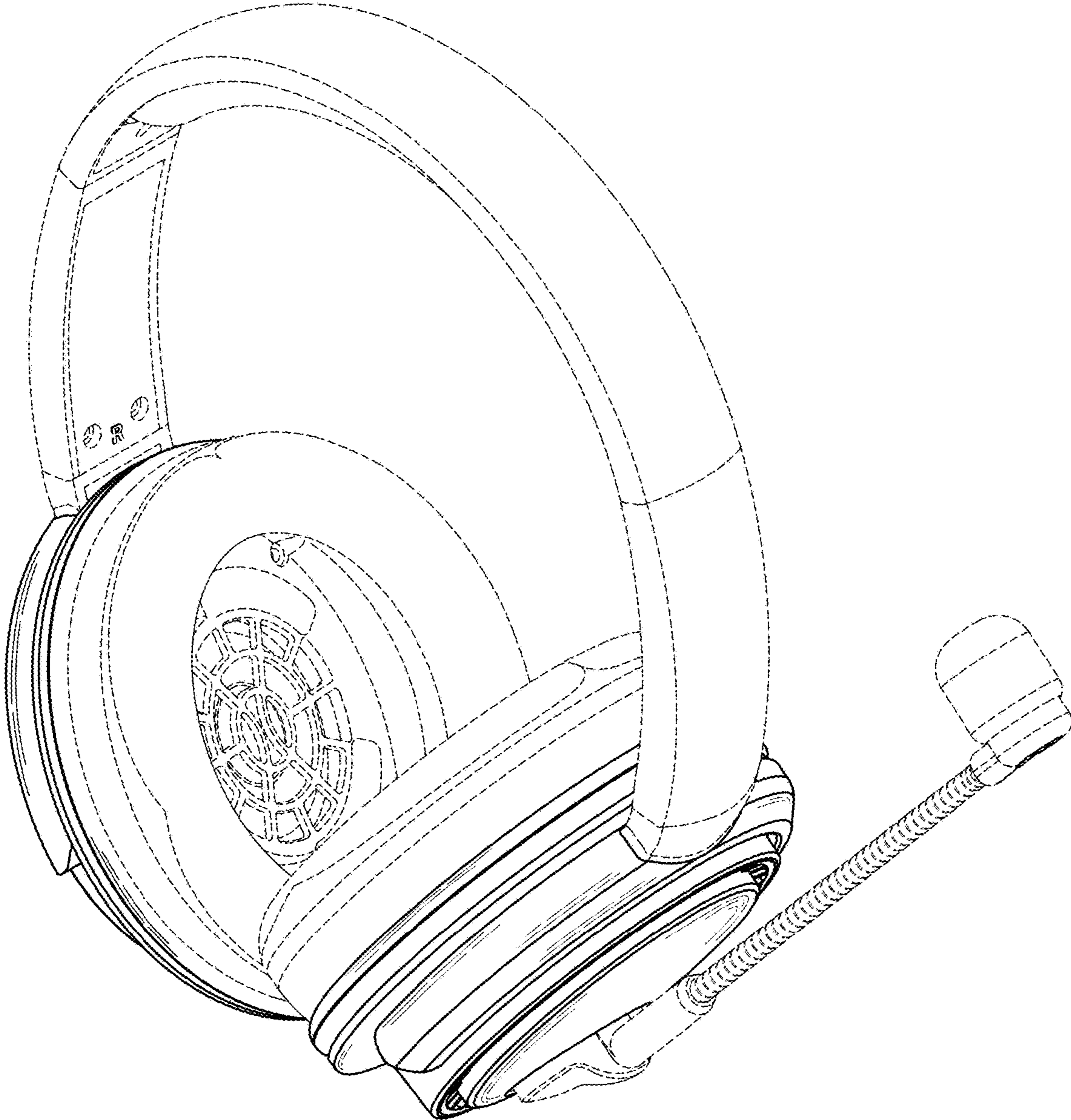


FIG.1

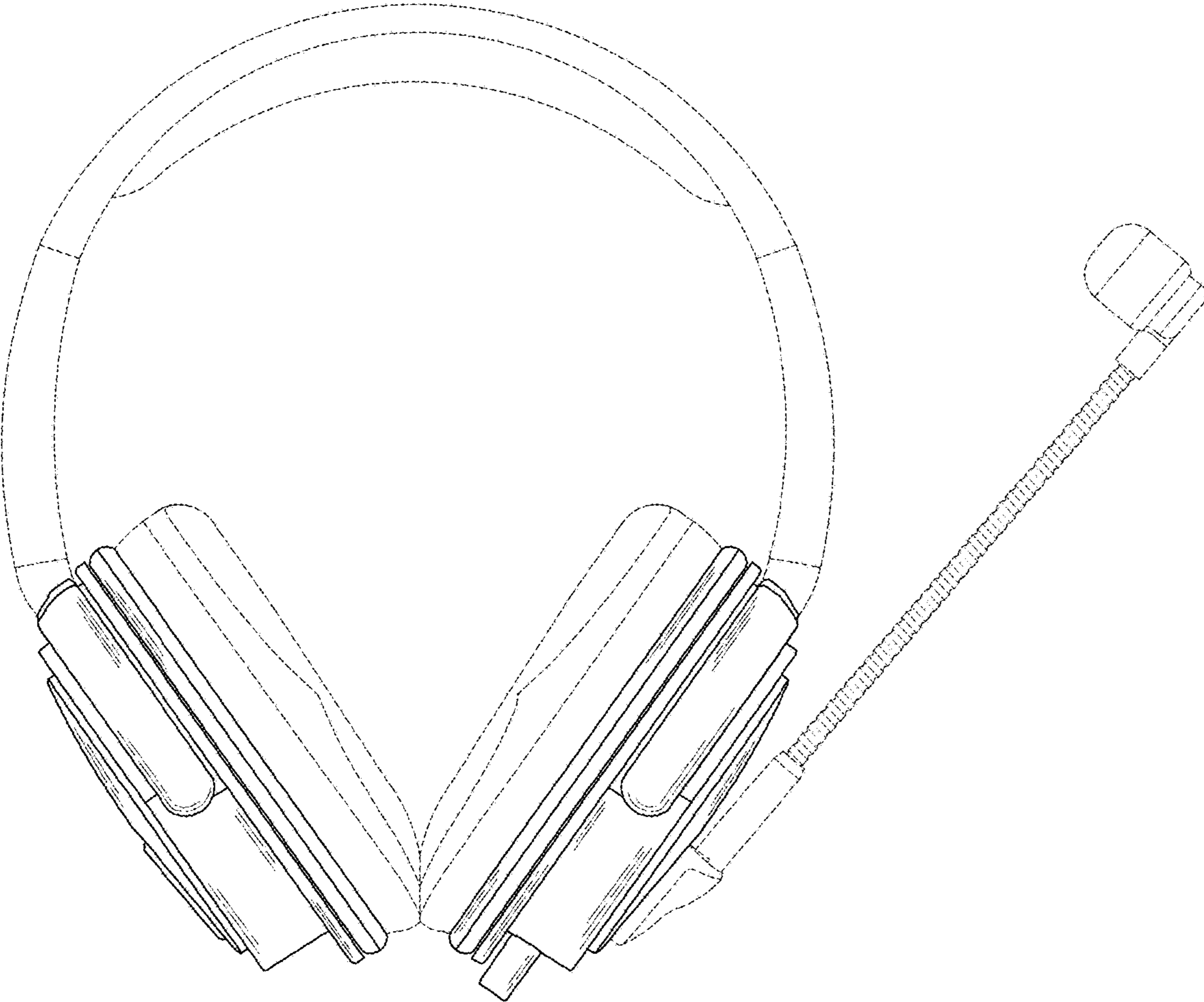


FIG.2



FIG.3

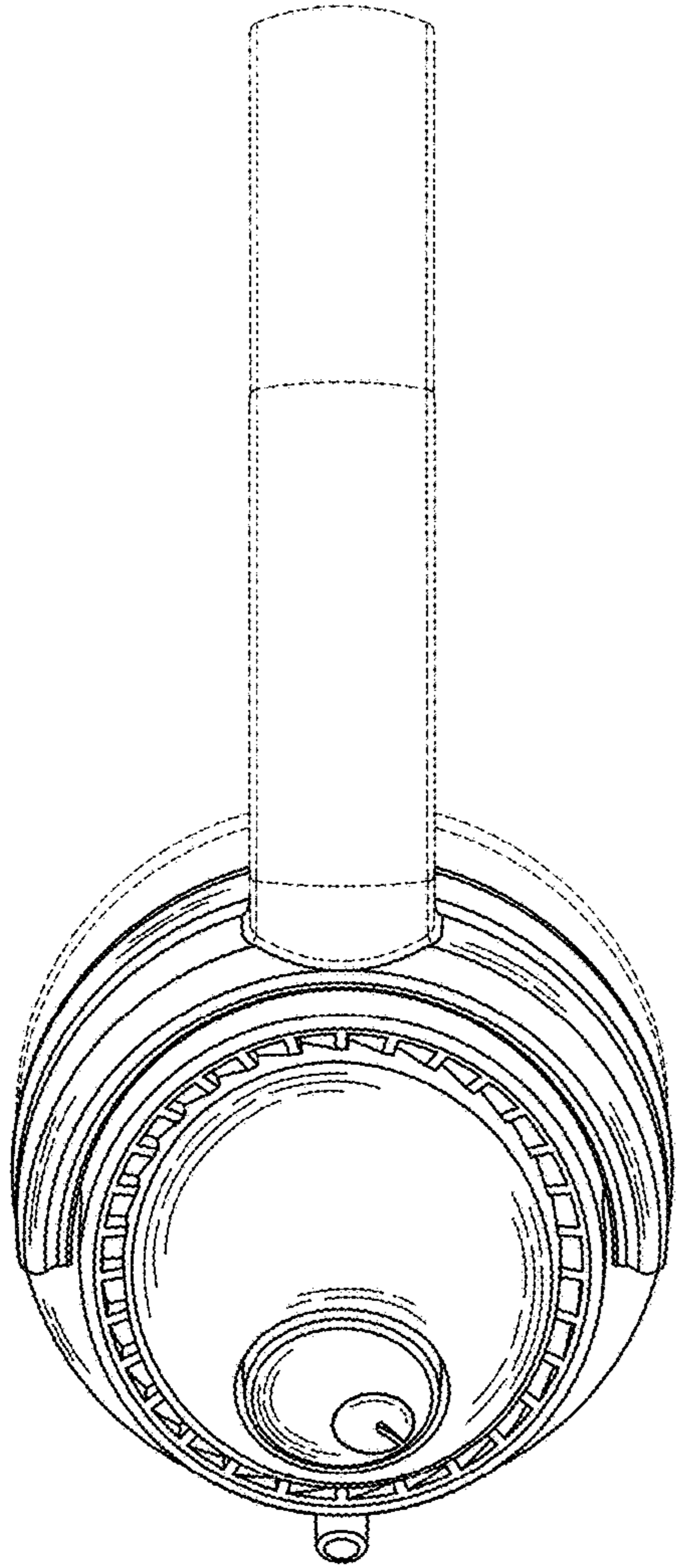


FIG. 4

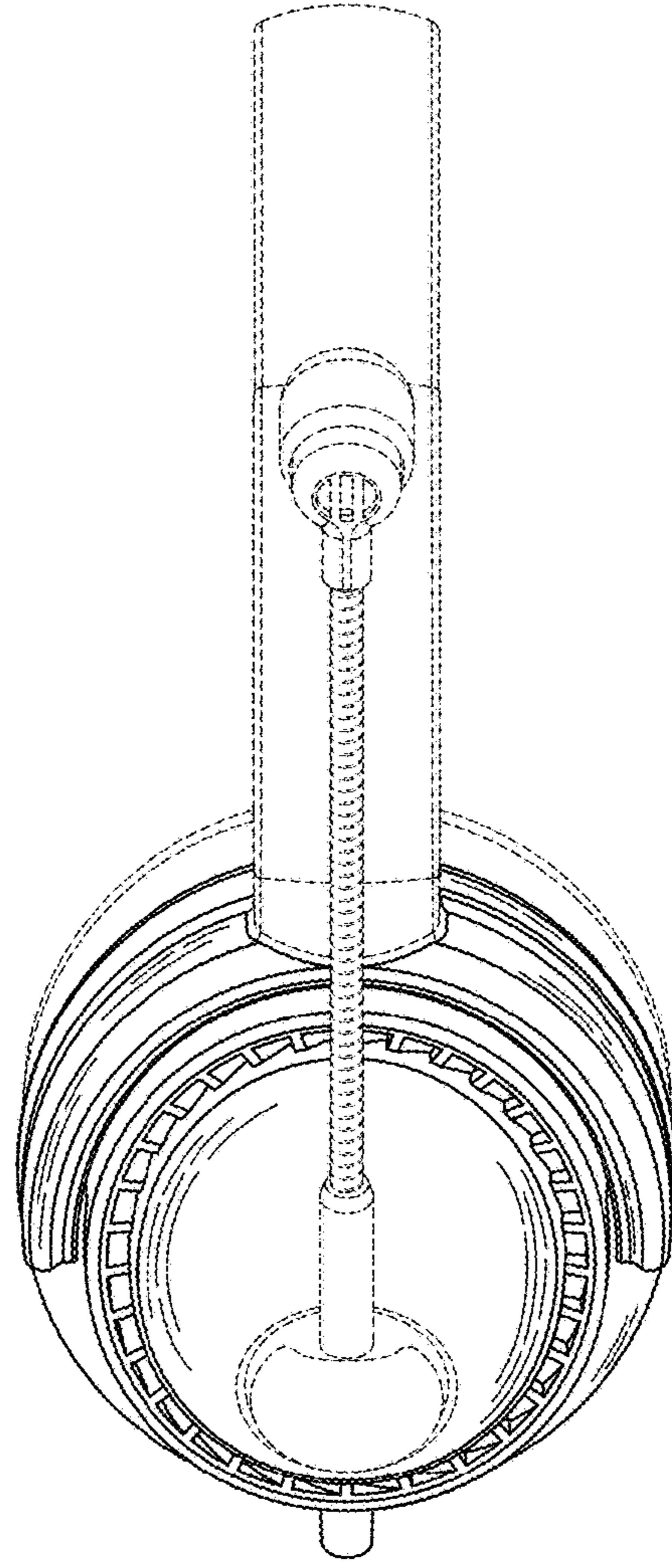


FIG. 5

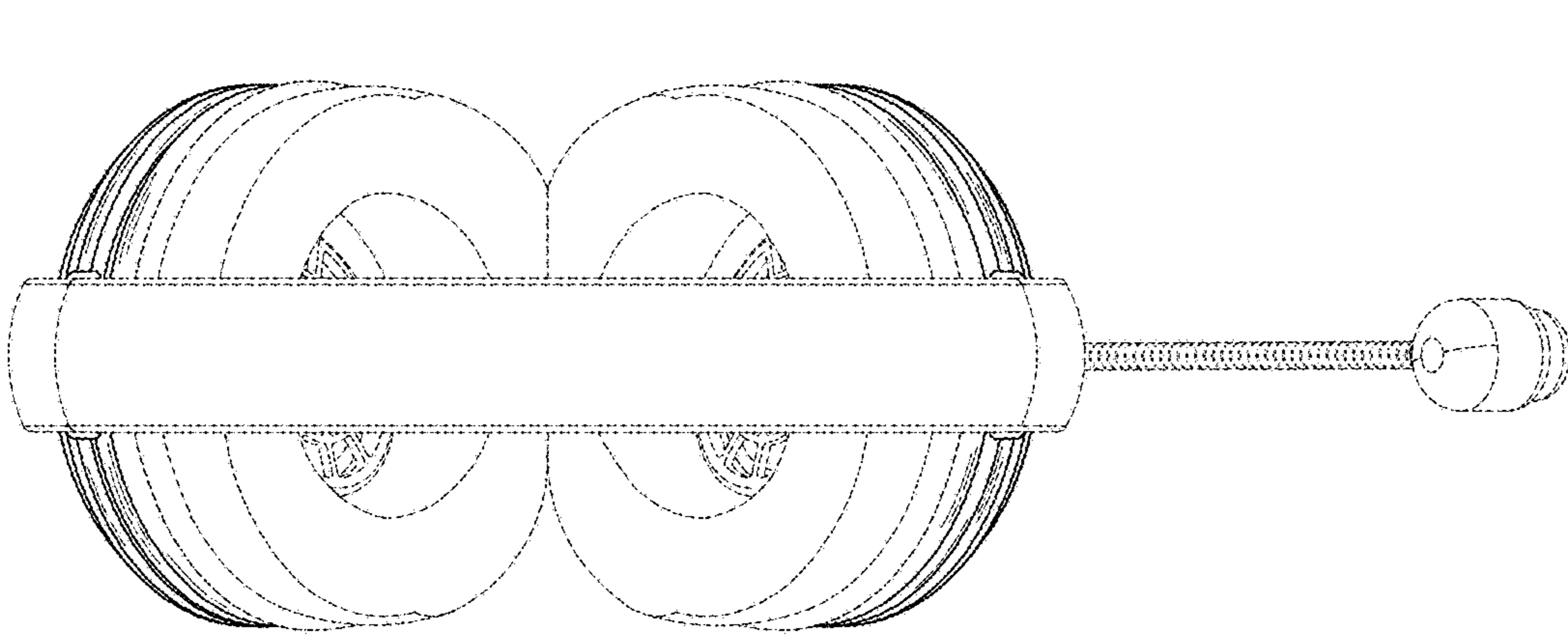


FIG. 6

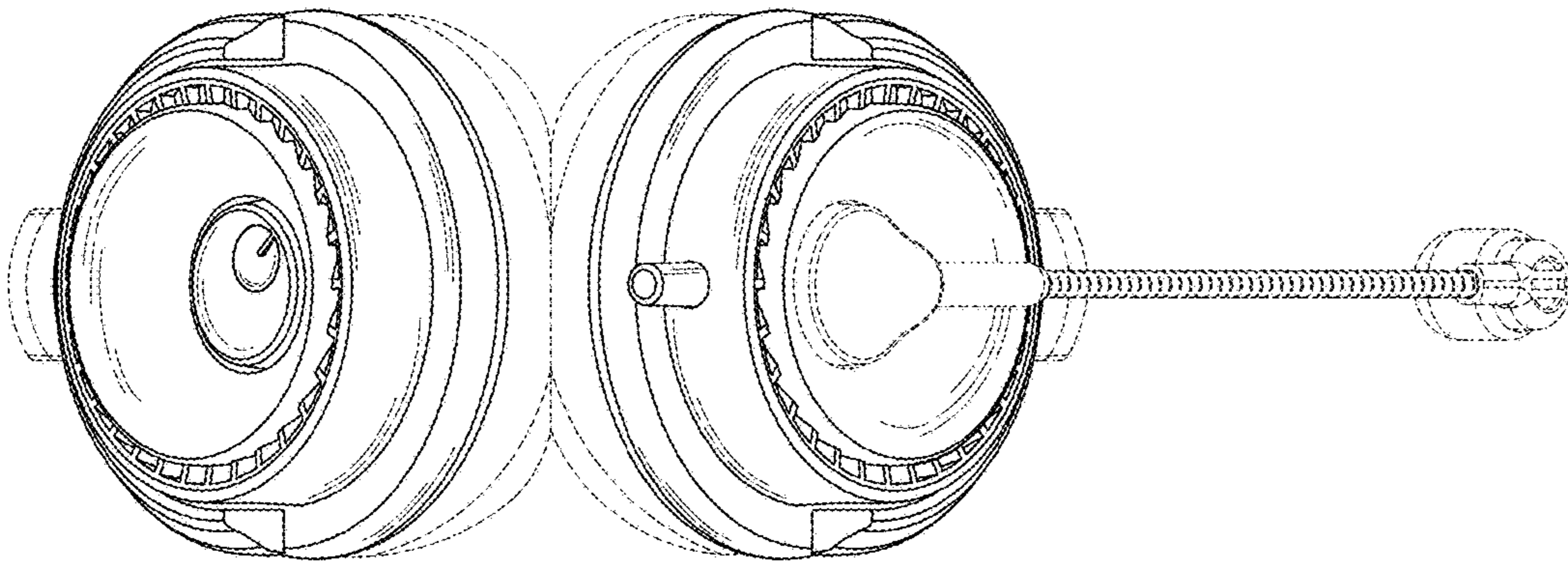


FIG. 7