

US00D778873S

(12) **United States Design Patent**  
**Chen**

(10) **Patent No.:** **US D778,873 S**

(45) **Date of Patent:** **\*\* Feb. 14, 2017**

(54) **WIRELESS EARPHONE**

(71) Applicant: **Shukang Chen**, DongGuan (CN)

(72) Inventor: **Shukang Chen**, DongGuan (CN)

(\*\*) Term: **15 Years**

(21) Appl. No.: **29/535,672**

(22) Filed: **Aug. 10, 2015**

(51) **LOC (10) Cl.** ..... **14-01**

(52) **U.S. Cl.**  
USPC ..... **D14/205**

(58) **Field of Classification Search**  
USPC ..... D14/205, 223, 435.1, 480.3, 480.1;  
181/129, 130, 135; 379/430, 431;  
381/380, 381/381; 455/90.3, 575.1;  
361/679.32; 710/303  
CPC ..... H04R 1/10; H04R 25/00; H04R 1/1083;  
H04R 3/04; H04R 1/105; G02B  
27/01; G06F 1/16; G06F 13/00  
See application file for complete search history.

(56) **References Cited**

U.S. PATENT DOCUMENTS

6,198,821	B1 *	3/2001	Yang	.....	H01R 13/70 379/420.04
D582,389	S *	12/2008	Bose	.....	D14/205
D589,491	S *	3/2009	Andre	.....	D14/205
D591,264	S *	4/2009	Hong	.....	D14/205
D599,778	S *	9/2009	Ando	.....	D14/205
D599,779	S *	9/2009	Ando	.....	D14/205
D616,873	S *	6/2010	Olivier	.....	D14/223
D628,537	S *	12/2010	Nagata	.....	D13/147
D636,756	S *	4/2011	Fahrendorff	.....	D14/205
D637,998	S *	5/2011	Brunner	.....	D14/205
D643,414	S *	8/2011	Lee	.....	D14/205

D652,817	S *	1/2012	Lee	.....	D14/205
D662,079	S *	6/2012	Fahrendorff	.....	D14/205
D685,761	S *	7/2013	Fletcher	.....	D14/205
D687,410	S *	8/2013	Fletcher	.....	D14/205
D703,634	S *	4/2014	Han	.....	D14/205
D717,767	S *	11/2014	Mistry	.....	D14/206
D719,131	S *	12/2014	Toelle	.....	D14/205
D719,132	S *	12/2014	Toelle	.....	D14/205
D737,201	S *	8/2015	Liu	.....	D13/108
D742,355	S *	11/2015	Toelle	.....	D14/205
D742,356	S *	11/2015	Toelle	.....	D14/205
D743,370	S *	11/2015	Toelle	.....	D14/205
2004/0204177	A1 *	10/2004	Pon	.....	H02J 7/0045 455/573
2006/0052144	A1 *	3/2006	Seil	.....	H04B 1/3822 455/575.1
2013/0107442	A1 *	5/2013	Zhou	.....	H01R 13/447 361/679.32

\* cited by examiner

*Primary Examiner* — Paula Greene

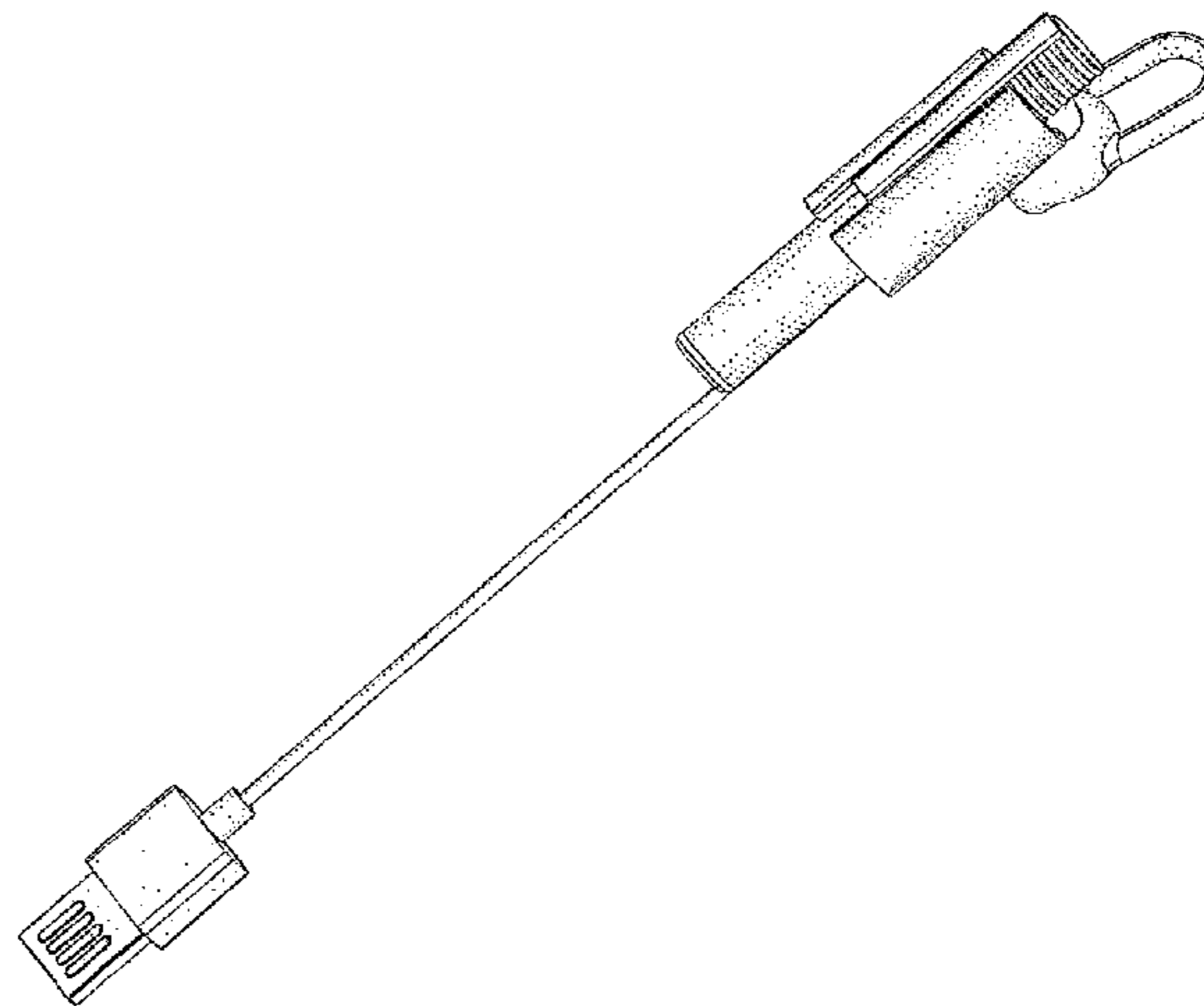
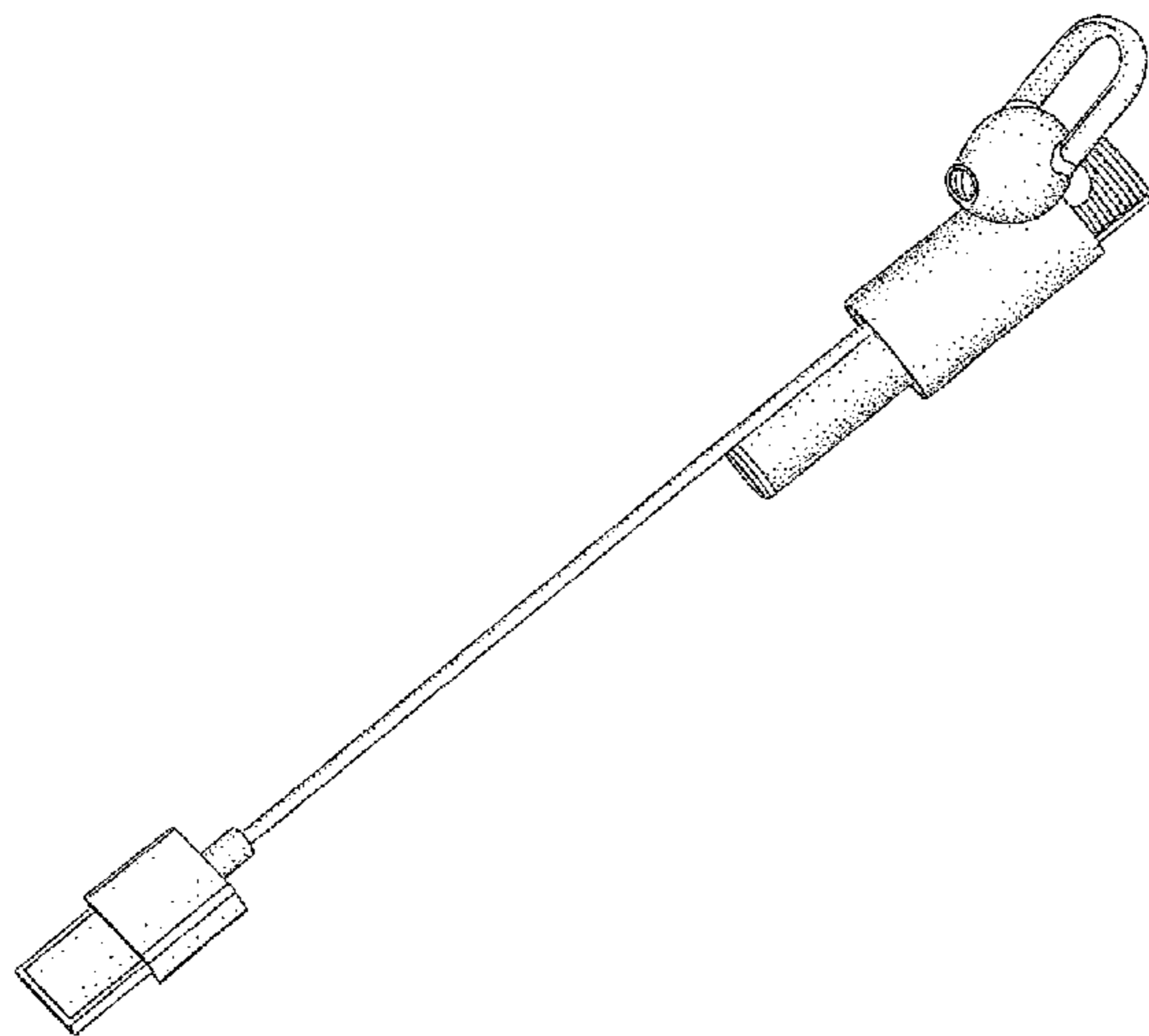
(57) **CLAIM**

The ornamental design for wireless earphone, as shown and described.

**DESCRIPTION**

FIG. 1 is a perspective view of wireless earphone showing my new design;  
FIG. 2 is another perspective view of wireless earphone showing my new design;  
FIG. 3 is a front elevational view thereof;  
FIG. 4 is a rear elevational view thereof;  
FIG. 5 is a left side elevational view thereof;  
FIG. 6 is a right side elevational view thereof;  
FIG. 7 is a top plan view thereof; and,  
FIG. 8 is a bottom plan view thereof.

**1 Claim, 8 Drawing Sheets**



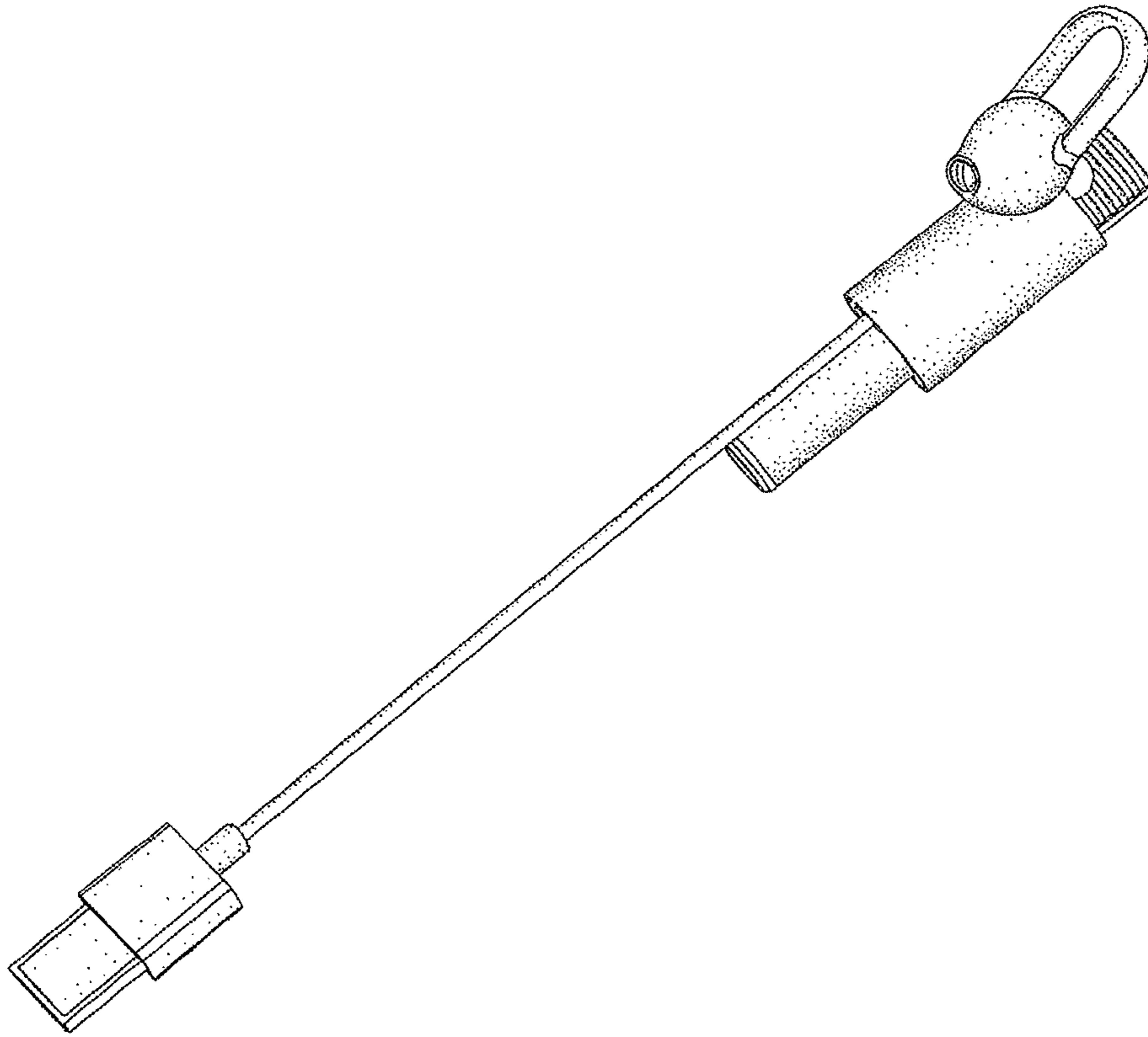


FIG. 1

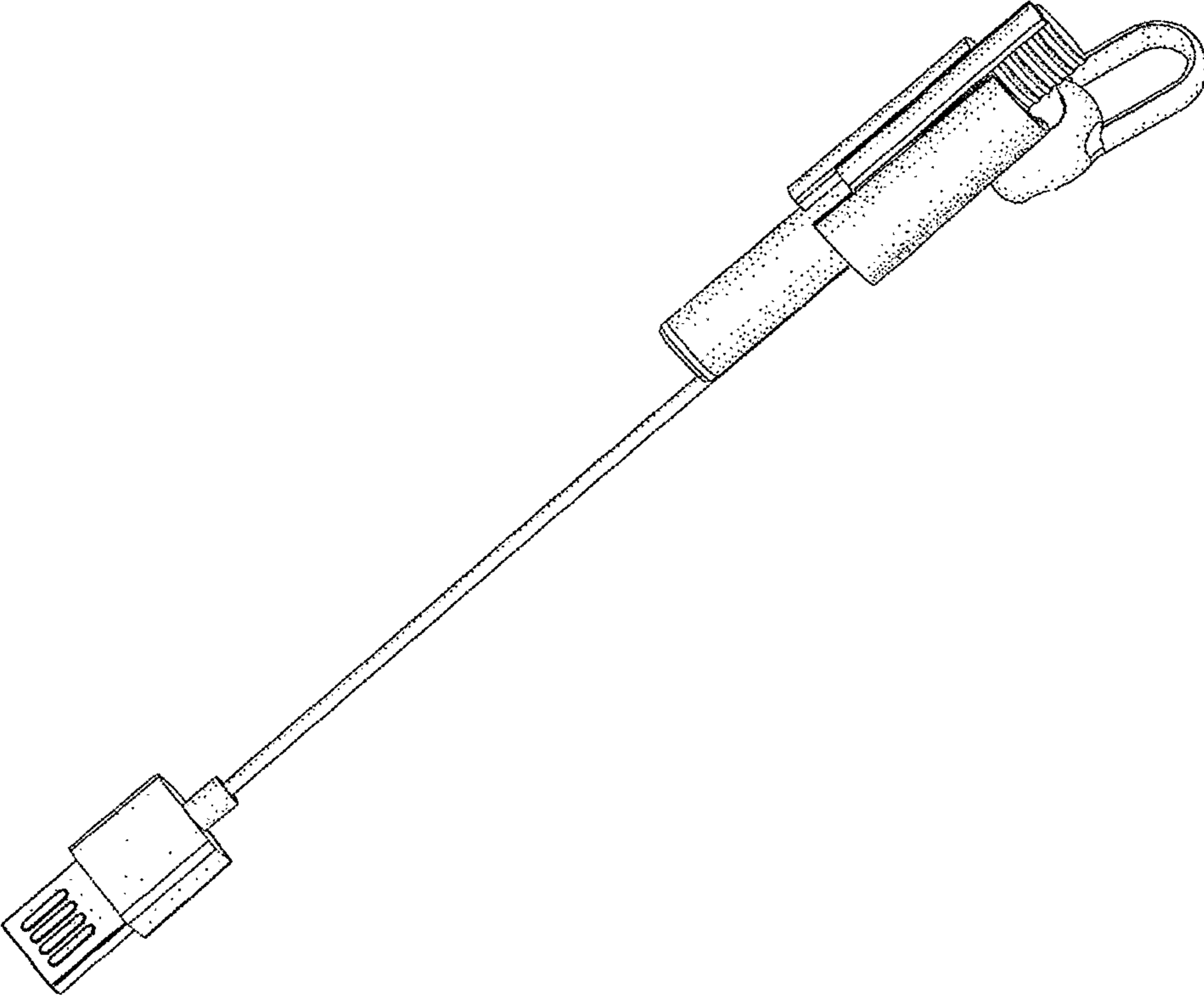


FIG. 2

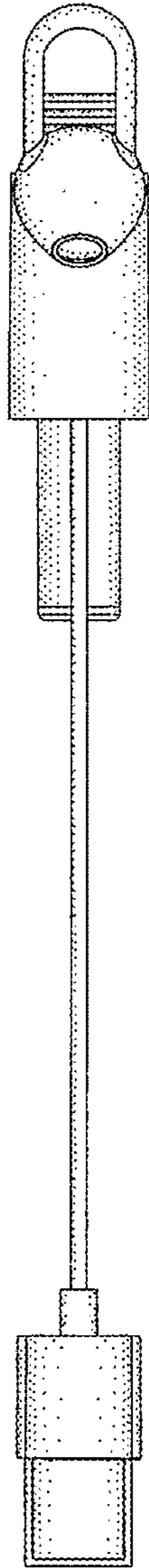


FIG. 3

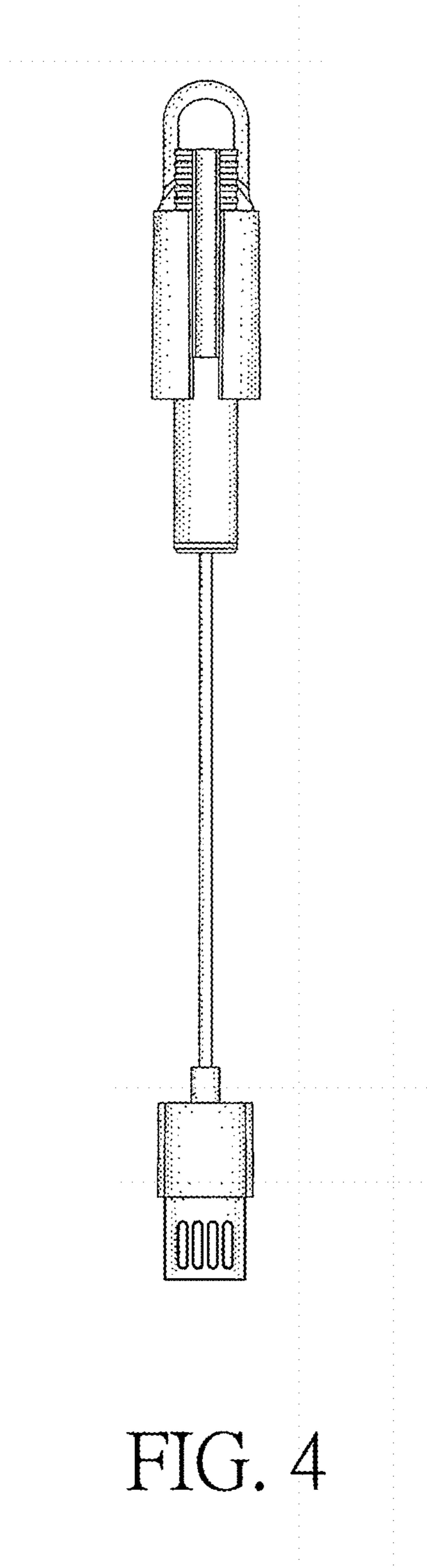


FIG. 4

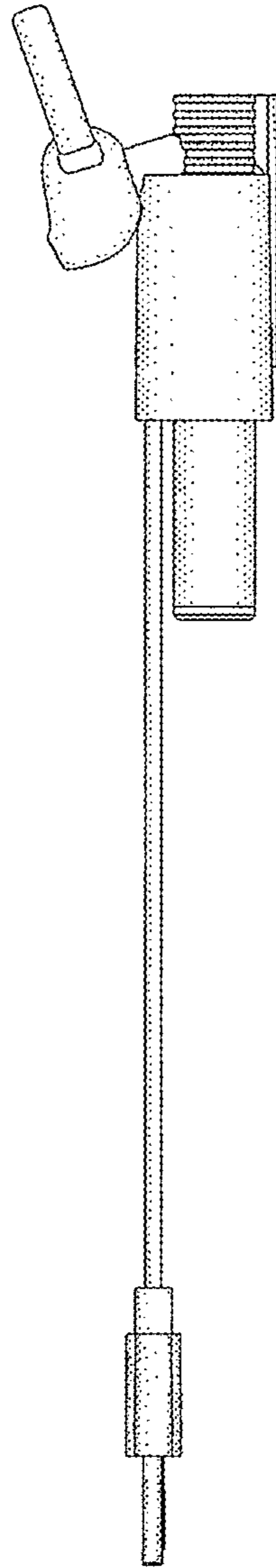


FIG. 5

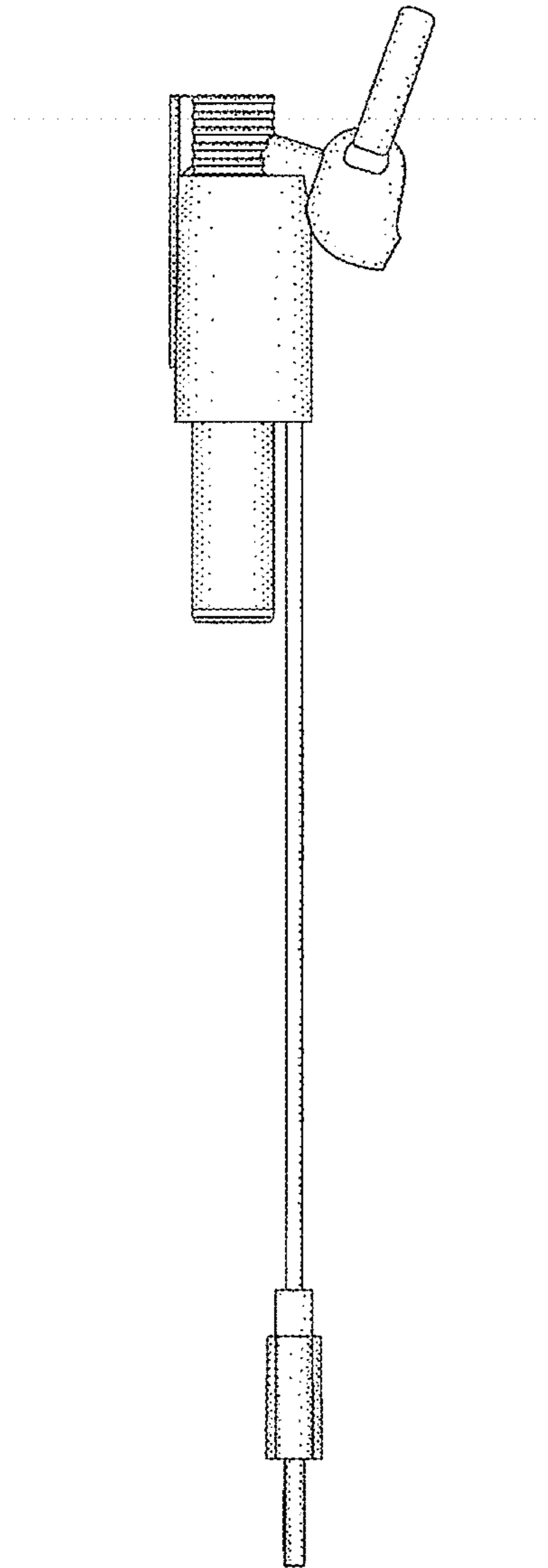


FIG. 6

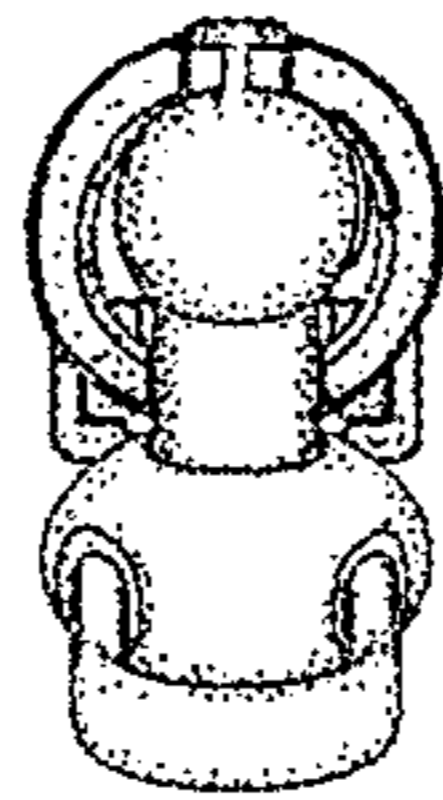


FIG. 7





FIG. 8