



US00D778870S

(12) **United States Design Patent** (10) **Patent No.:** **US D778,870 S**
Holm et al. (45) **Date of Patent:** **** Feb. 14, 2017**

(54) **CAPTIONING COMMUNICATION DEVICE WITH VOLUME CONTROL**

(71) Applicant: **CaptionCall, LLC**, Salt Lake City, UT (US)

(72) Inventors: **Michael Holm**, Bountiful, UT (US); **Jasper Pan**, Draper, UT (US)

(73) Assignee: **CaptionCall, LLC**, Salt Lake City, UT (US)

(**) Term: **14 Years**

(21) Appl. No.: **29/522,381**

(22) Filed: **Mar. 30, 2015**

(51) **LOC (10) Cl.** **14-03**

(52) **U.S. Cl.**

USPC **D14/140**; D14/142; D14/158

(58) **Field of Classification Search**

USPC D14/151, 130, 140.7, 140.8, 142, 144, D14/155, 158, 159, 172, 188, 204, 203.8, D14/209.1, 210–217, 226, 229, 240, D14/251–253, 399, 329, 434, 467, 468, D14/447; D21/513, 517; 455/557, 573, 455/575.1, 74.1; 710/303, 304; D13/107, D13/108, 168; D10/65; D24/165, 169; D18/50; 379/428.01–428.04, 440, 446

(Continued)

(56) **References Cited**

U.S. PATENT DOCUMENTS

D226,920 S * 5/1973 Molyneaux D14/242
D232,034 S * 7/1974 Shoys D14/159

(Continued)

OTHER PUBLICATIONS

CaptionCall “Life is Calling 57T, 57Tx User Guide” Release Version 1, Oct. 19, 2012, 141 pages.

(Continued)

Primary Examiner — Susan Bennett Hattan

Assistant Examiner — Marie Fast Horse

(74) *Attorney, Agent, or Firm* — TraskBritt

(57) **CLAIM**

The ornamental design for a captioning communication device with volume control, as shown and described.

DESCRIPTION

The patent or application file contains at least one drawing executed in color. Copies of this patent or patent application publication with color drawings will be provided by the Office upon request and payment of the necessary fee.

FIG. 1 is a front view of a first embodiment of a captioning communication device with volume control, showing the light ring in a first state of use;

FIG. 2 is a front view thereof, shown in a second state of use.

FIG. 3 is a front view of a second embodiment of a captioning communication device with volume control, showing the light ring in a first state of use;

FIG. 4 is a front view thereof, shown in a second state of use;

FIG. 5 is a front view thereof, shown in a third state of use;

FIG. 6 is a front view thereof, shown in a fourth state of use;

FIG. 7 is a front view thereof, shown in a fifth state of use;

FIG. 8 is a front view thereof, shown in a sixth state of use;

FIG. 9 is a front view thereof, shown in a seventh state of use;

FIG. 10 is a front view of a third embodiment of a captioning communication device with volume control, showing the light ring in a first state of use;

FIG. 11 is a front view of the third embodiment thereof, shown in a second state of use;

FIG. 12 is a front view of the third embodiment thereof, shown in a third state of use;

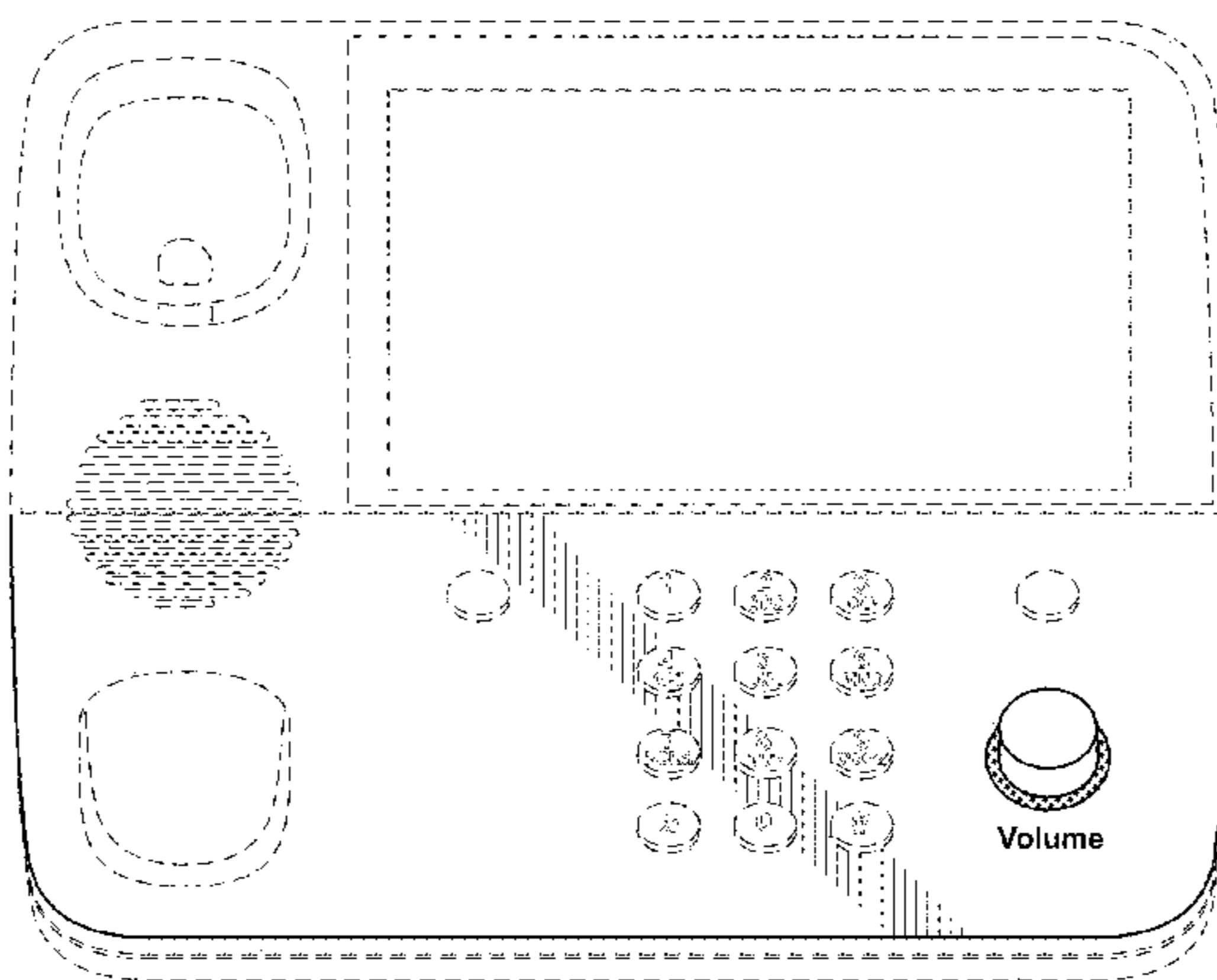
FIG. 13 is a front view of the third embodiment thereof, shown in a fourth state of use;

FIG. 14 is a front view of the third embodiment thereof, shown in a fifth state of use;

FIG. 15 is a front view of the third embodiment thereof, shown in a sixth state of use; and,

FIG. 16 is a front view of the third embodiment thereof, shown in a seventh state of use.

(Continued)



In the drawings, the claimed design is defined by the solid lines and shaded surfaces; broken lines in FIGS. 1 through 16 immediately adjacent shaded surfaces represent boundaries of the claim and form no part thereof; and all other broken lines depict portions of the captioning communication device with a volume light ring that do not form any part of the claimed design.

**1 Claim, 9 Drawing Sheets
(4 of 9 Drawing Sheet(s) Filed in Color)**

(58) **Field of Classification Search**

CPC H04M 1/02; H04M 1/0289; H04M 1/0297;
H04M 1/03; H04M 1/04; H04M
1/19; H04M 1/6041; H04M 1/72; H04M
1/725; H04M 1/72527; H02J 7/025; H02J
7/0027; H02J 7/0042; H02J 7/0044; B60R
11/0241; G06F 1/1632

See application file for complete search history.

(56) **References Cited**

U.S. PATENT DOCUMENTS

D259,563 S * 6/1981 Marshall D14/151
D264,338 S * 5/1982 Sharp D14/151
D265,734 S * 8/1982 Mahan D14/151
D266,512 S * 10/1982 Furbershaw D14/151
D266,667 S * 10/1982 Bee D14/151
D267,007 S * 11/1982 Chiou D14/151
D272,441 S * 1/1984 Carr D14/151
D272,906 S * 3/1984 Heinzelman D14/140.8
D280,324 S * 8/1985 Endt D14/151
D280,405 S * 9/1985 Mitchell D14/151
D280,617 S * 9/1985 Inaba D14/151
D283,508 S * 4/1986 Miyake D14/151
D284,079 S * 6/1986 Kita D14/151
D294,825 S * 3/1988 Coons D14/150
D299,456 S * 1/1989 Kuo D14/151
D303,390 S * 9/1989 Ohta D14/142
D309,304 S * 7/1990 Takada D14/130

D327,065 S * 6/1992 Tada D14/151
5,369,700 A * 11/1994 Koura H04M 1/247
379/110.01
D355,190 S * 2/1995 Folkes D14/149
D364,622 S * 11/1995 Hillenmayer D14/151
D370,482 S * 6/1996 Kong D14/151
D381,981 S * 8/1997 Johansson D14/151
D419,562 S * 1/2000 Mu D14/158
D499,713 S * 12/2004 Shibata D14/151
D511,761 S * 11/2005 Robinson D14/151
D529,477 S * 10/2006 Hsu D14/151
D558,180 S * 12/2007 Daly D14/151
D558,727 S * 1/2008 Daly D14/149
D565,020 S * 3/2008 Daly D14/149
D581,897 S * 12/2008 Katori D14/151
D596,618 S * 7/2009 Zha D14/203.8
D605,615 S * 12/2009 Fuxen D14/130
D613,263 S * 4/2010 Haberl D14/149
D638,818 S * 5/2011 Fleming D14/145
D662,908 S * 7/2012 Dix D14/151
D662,909 S * 7/2012 Dix D14/151
D665,347 S * 8/2012 Chen D13/108
8,358,776 B1 * 1/2013 Basart H04M 1/02
379/420.03
D686,183 S * 7/2013 Basart D14/151
D717,762 S * 11/2014 Jeon D14/130
D719,939 S * 12/2014 Liang D14/240
D723,502 S * 3/2015 Chun D14/130
D723,503 S * 3/2015 Jeon D14/130
D725,623 S * 3/2015 Hartmann D14/140
D739,372 S * 9/2015 Ferriell D14/142
D746,251 S * 12/2015 Michielan D14/142
D753,624 S * 4/2016 Ji D14/151
2004/0141610 A1 * 7/2004 Ying H04M 1/05
379/428.01
2012/0034795 A1 * 2/2012 Nitobe H01R 13/64
439/142
2012/0170736 A1 * 7/2012 Hsieh H04M 1/04
379/428.01

OTHER PUBLICATIONS

CaptionCall "Life is Calling Setup Guide", Release Version 1, Nov. 27, 2012, Sorenson Communications, Inc., 24 pages.

* cited by examiner

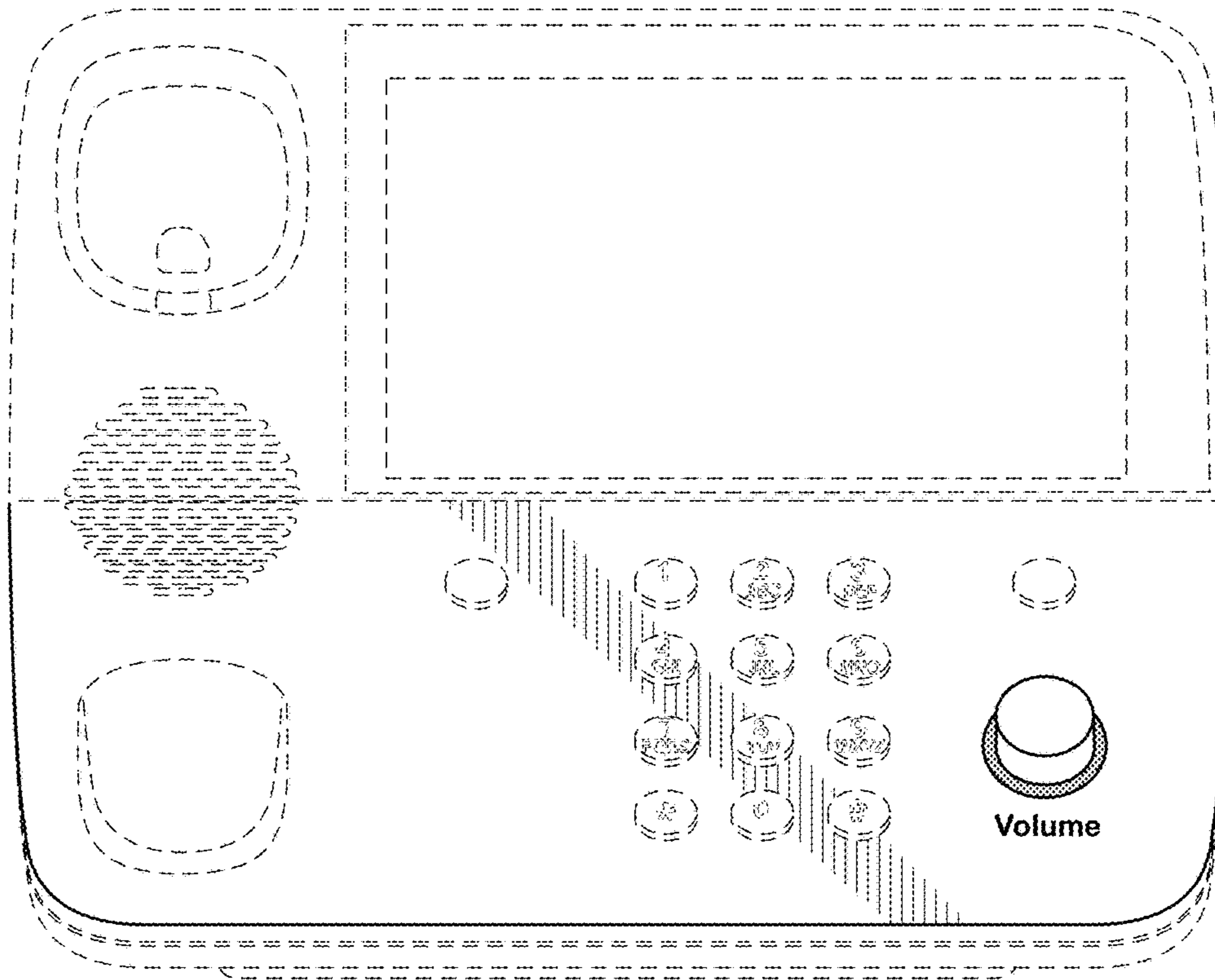


FIG. 1

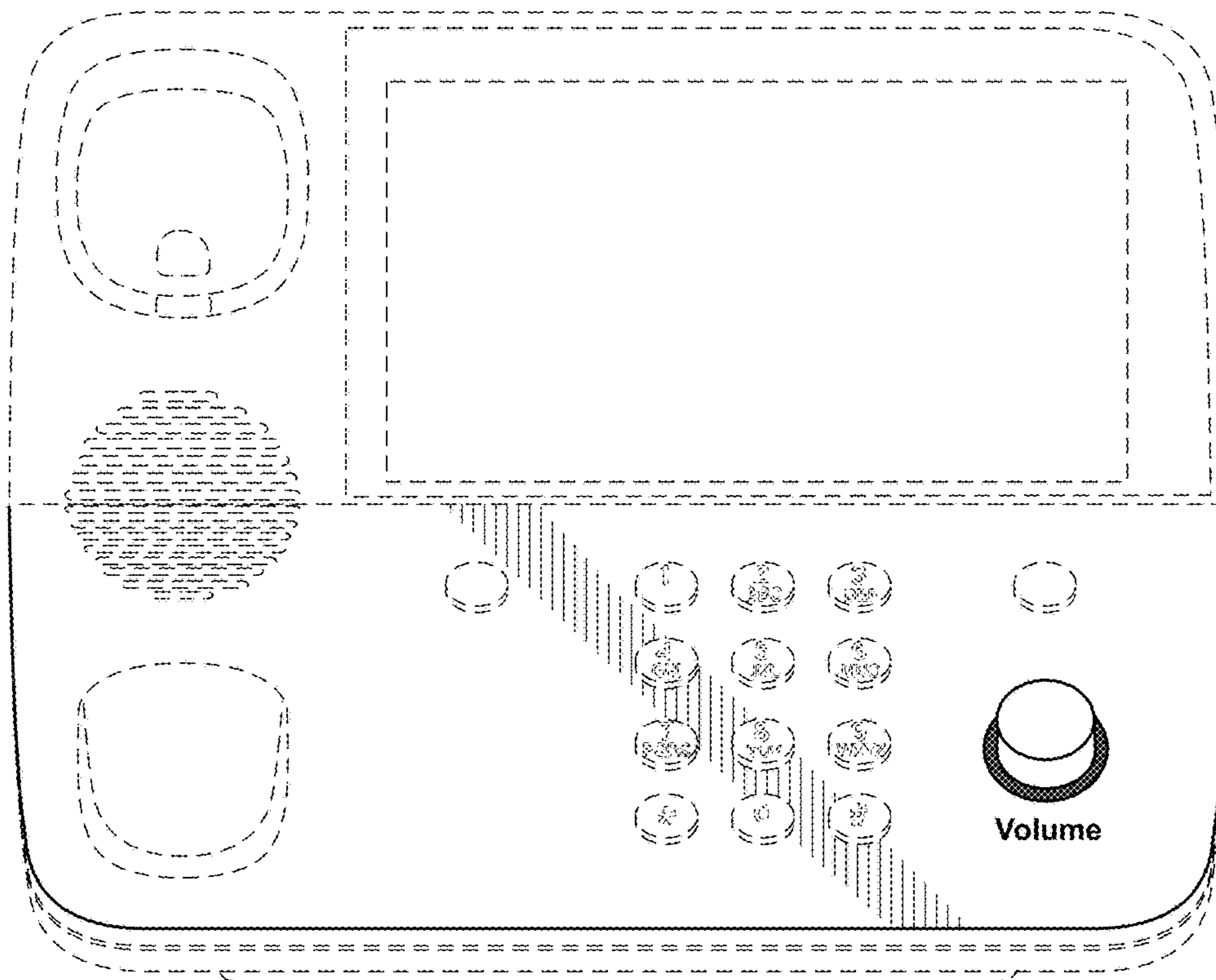


FIG. 2

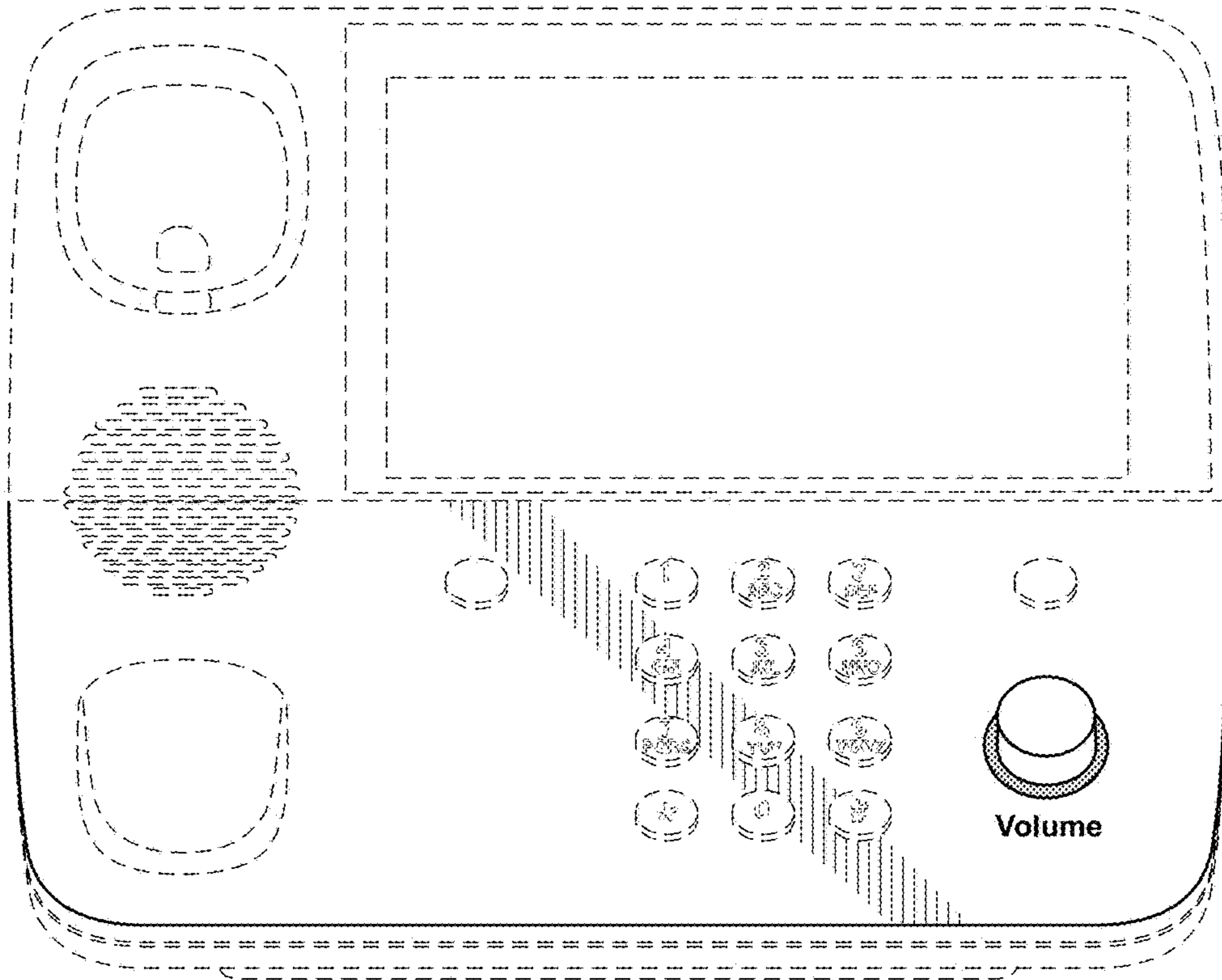


FIG. 3

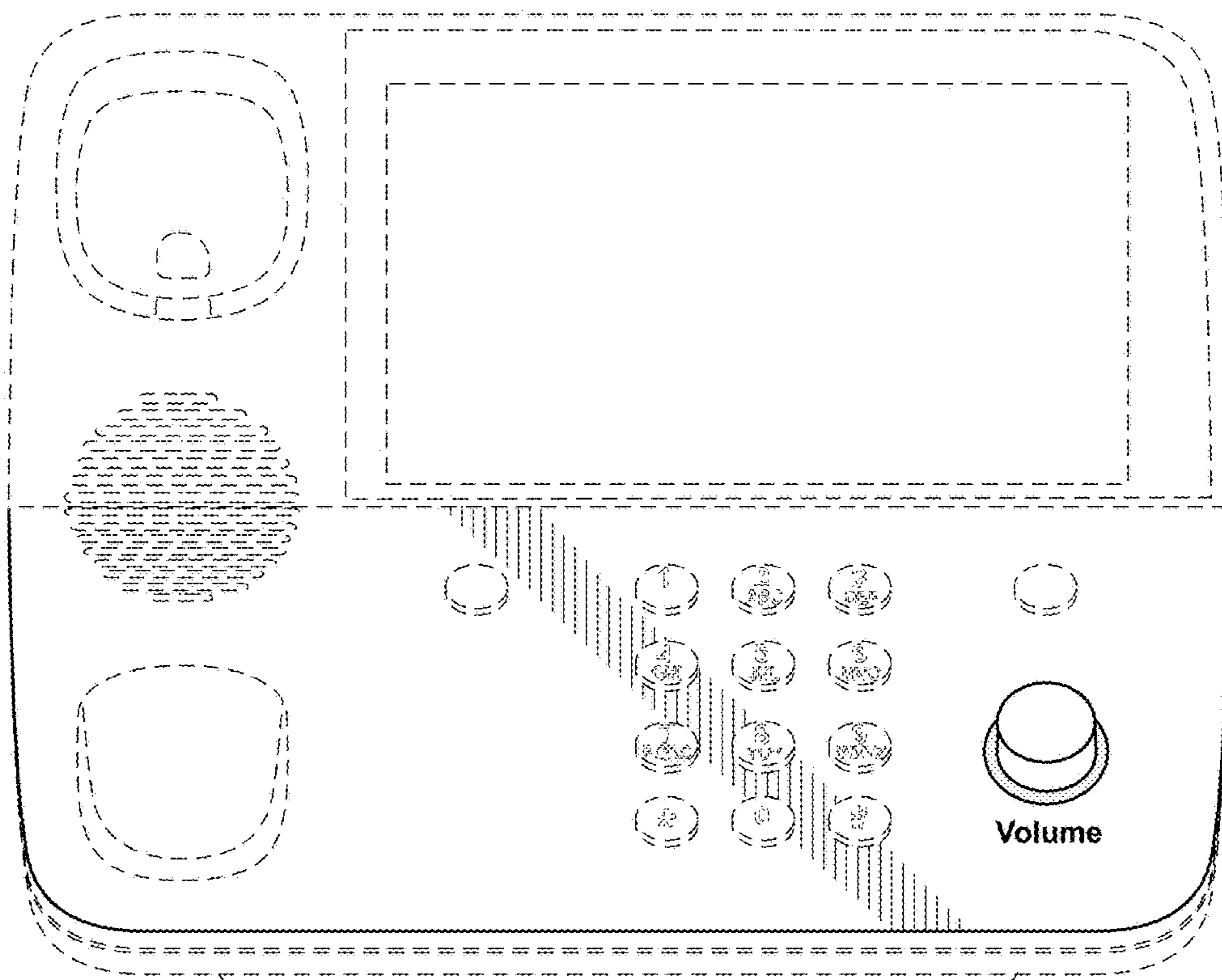


FIG. 4

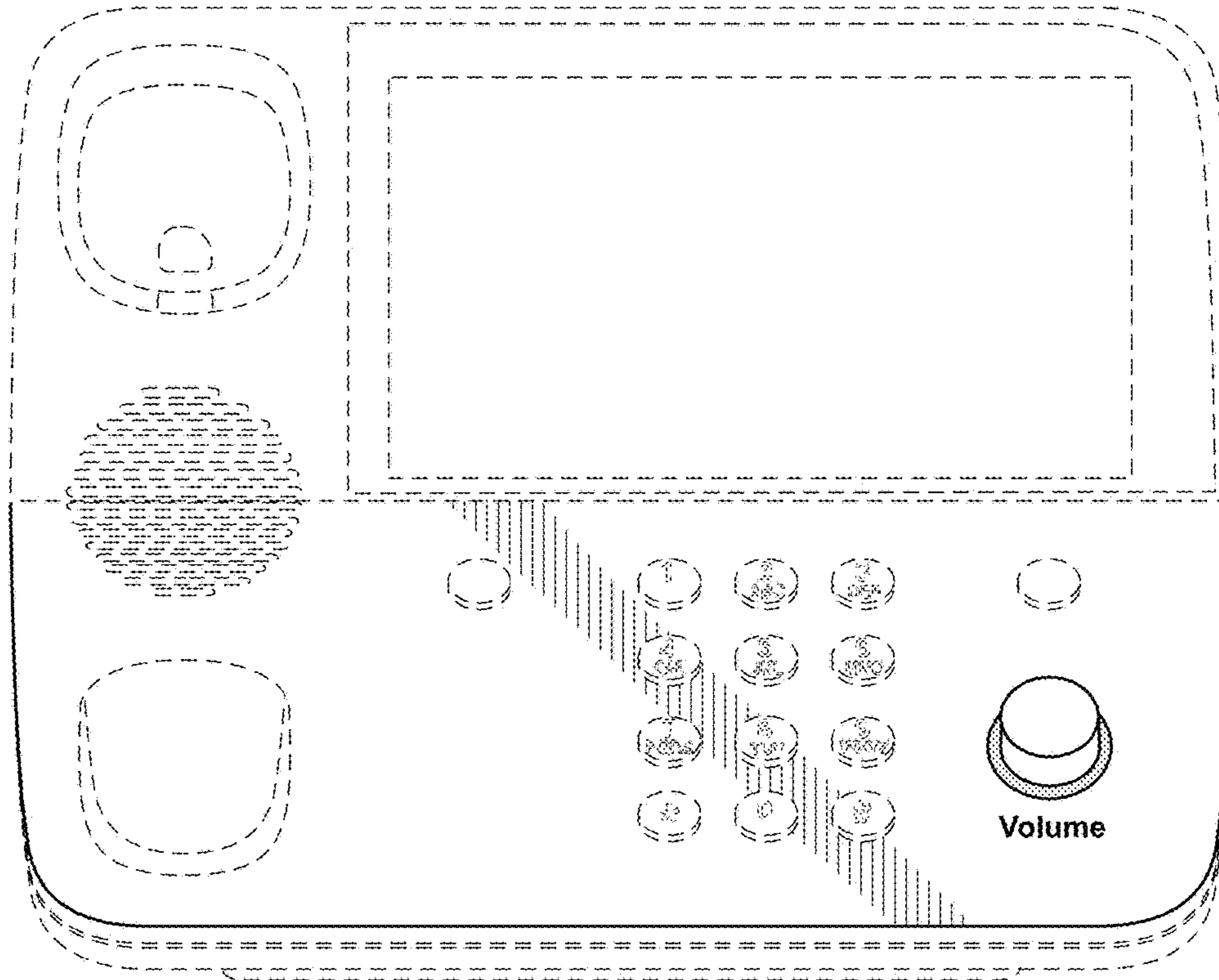


FIG. 5

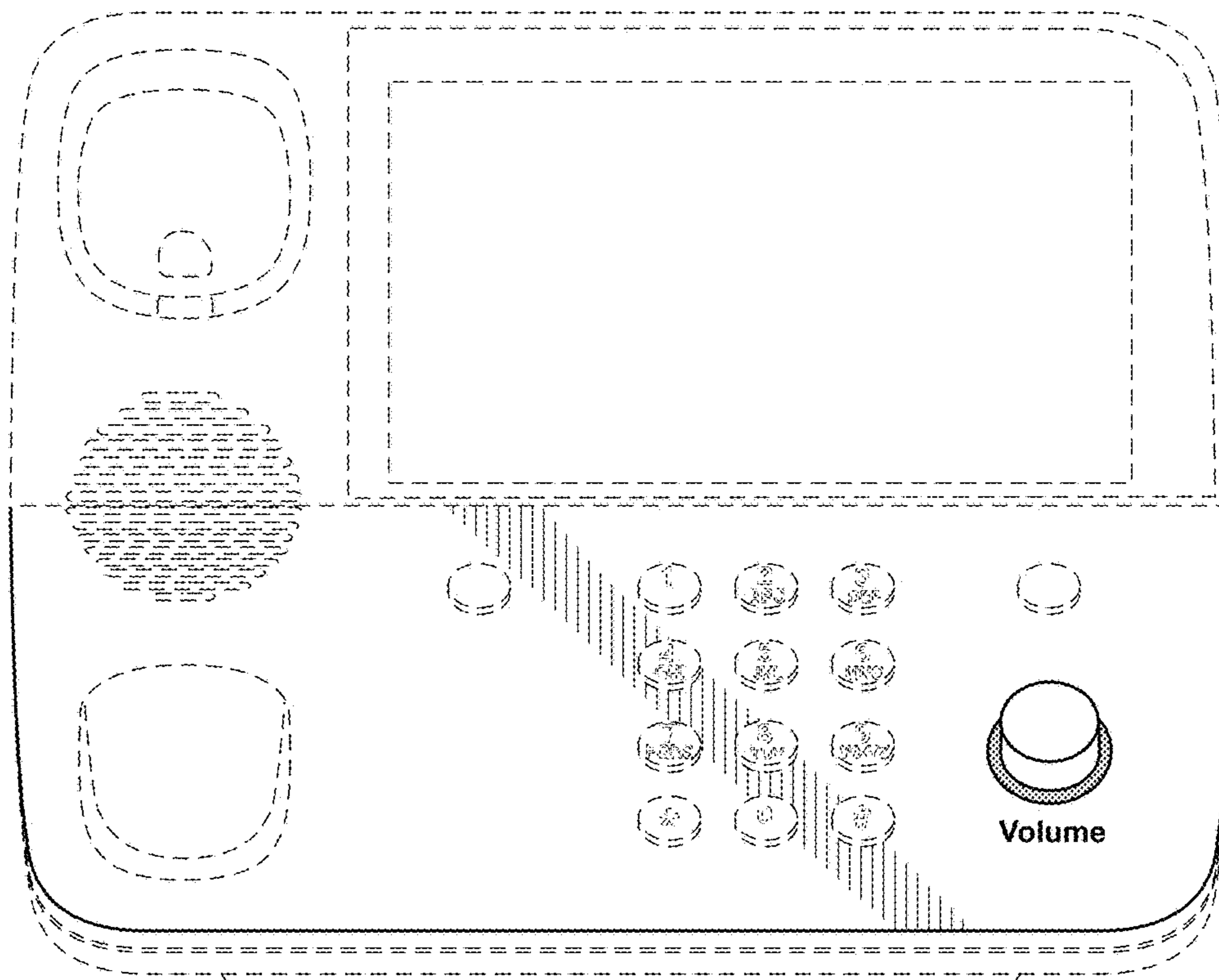


FIG. 6

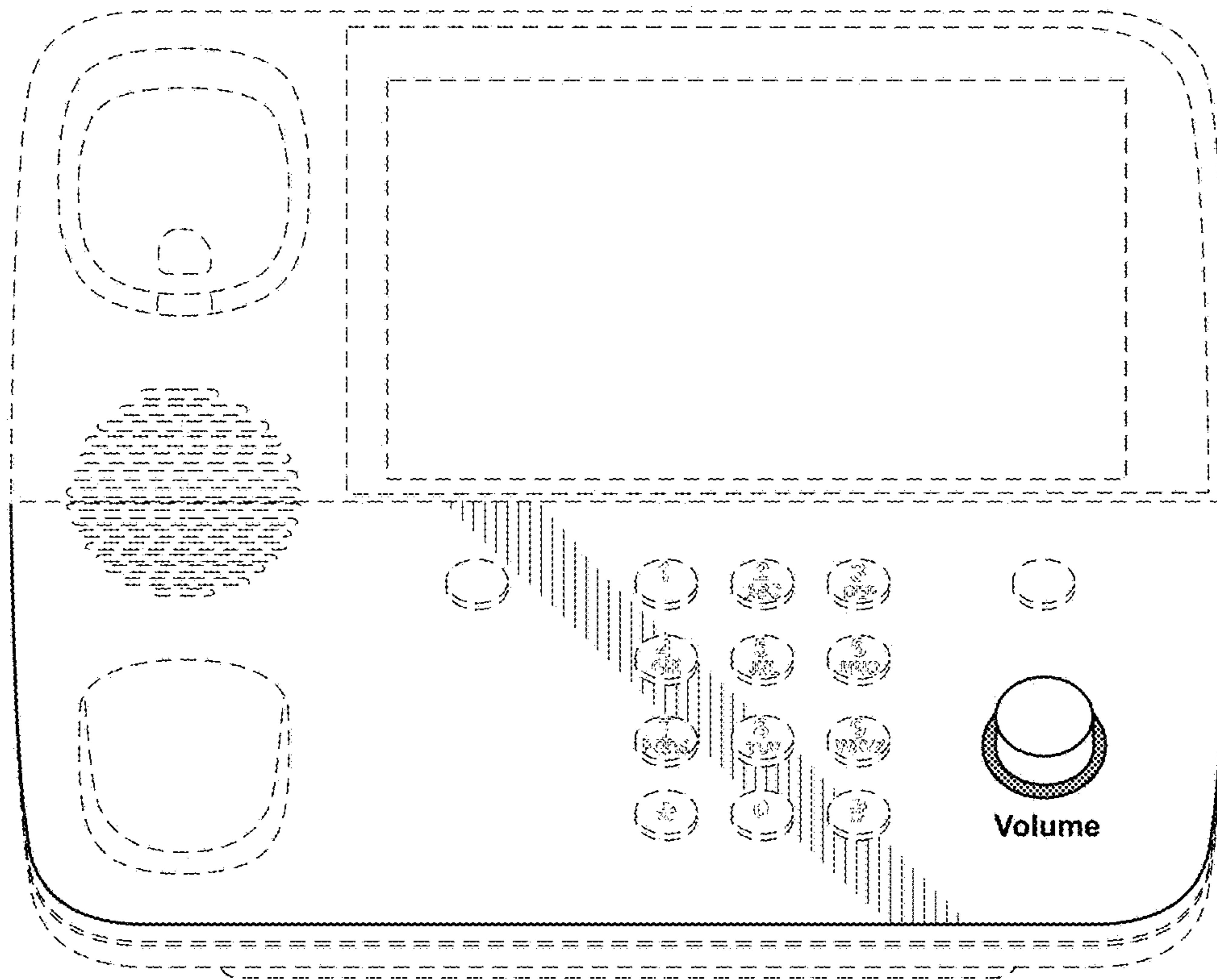


FIG. 7

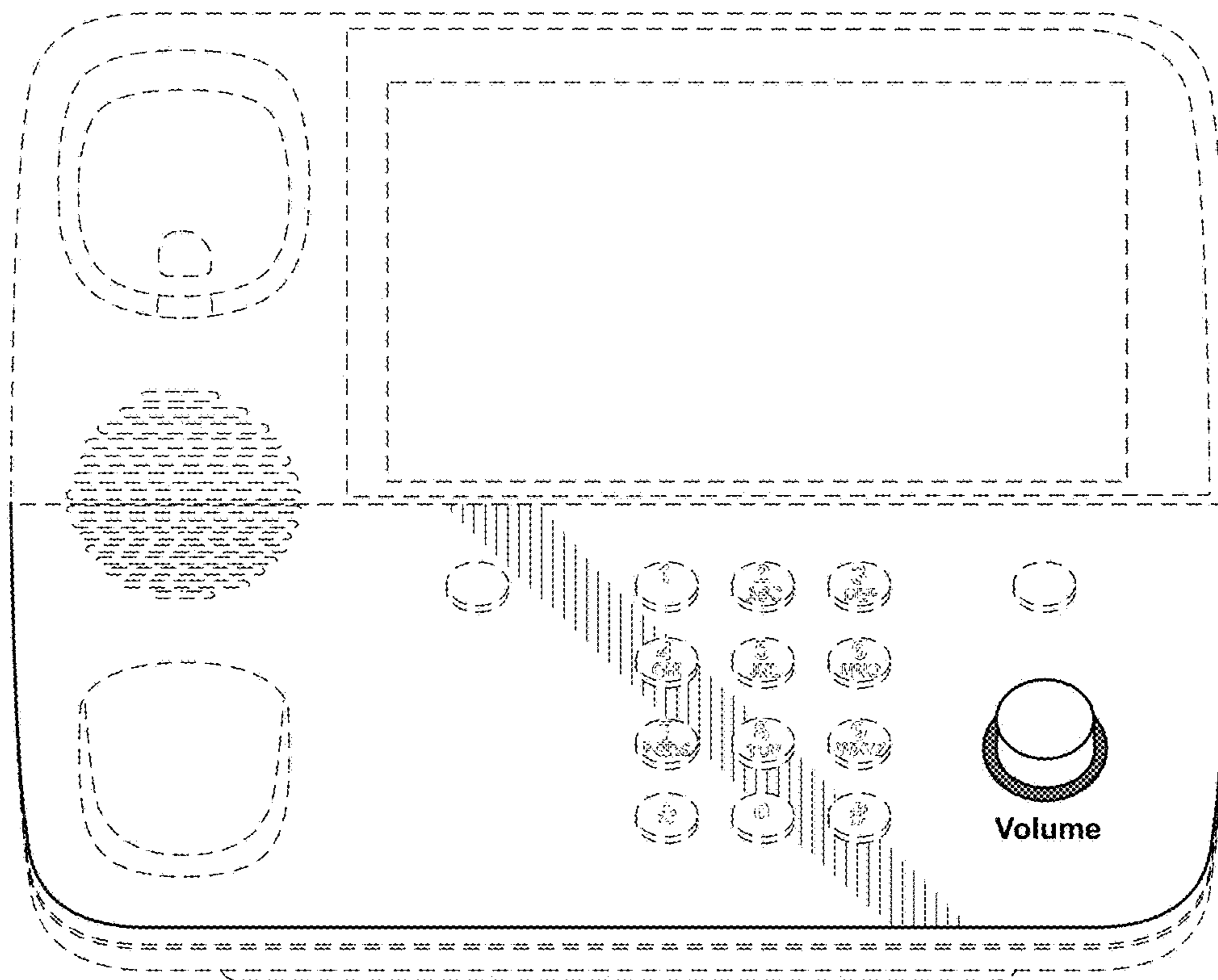


FIG. 8

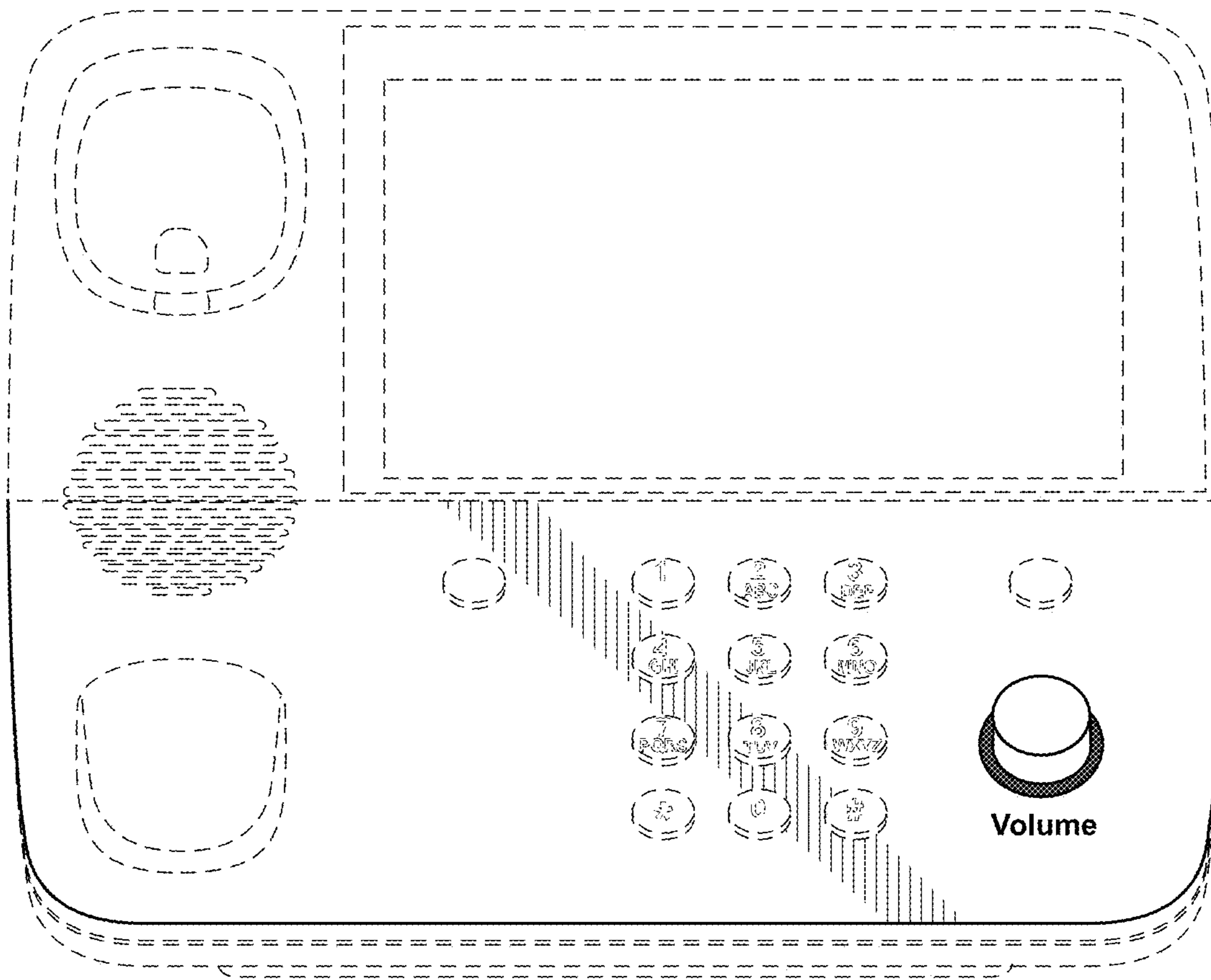


FIG. 9

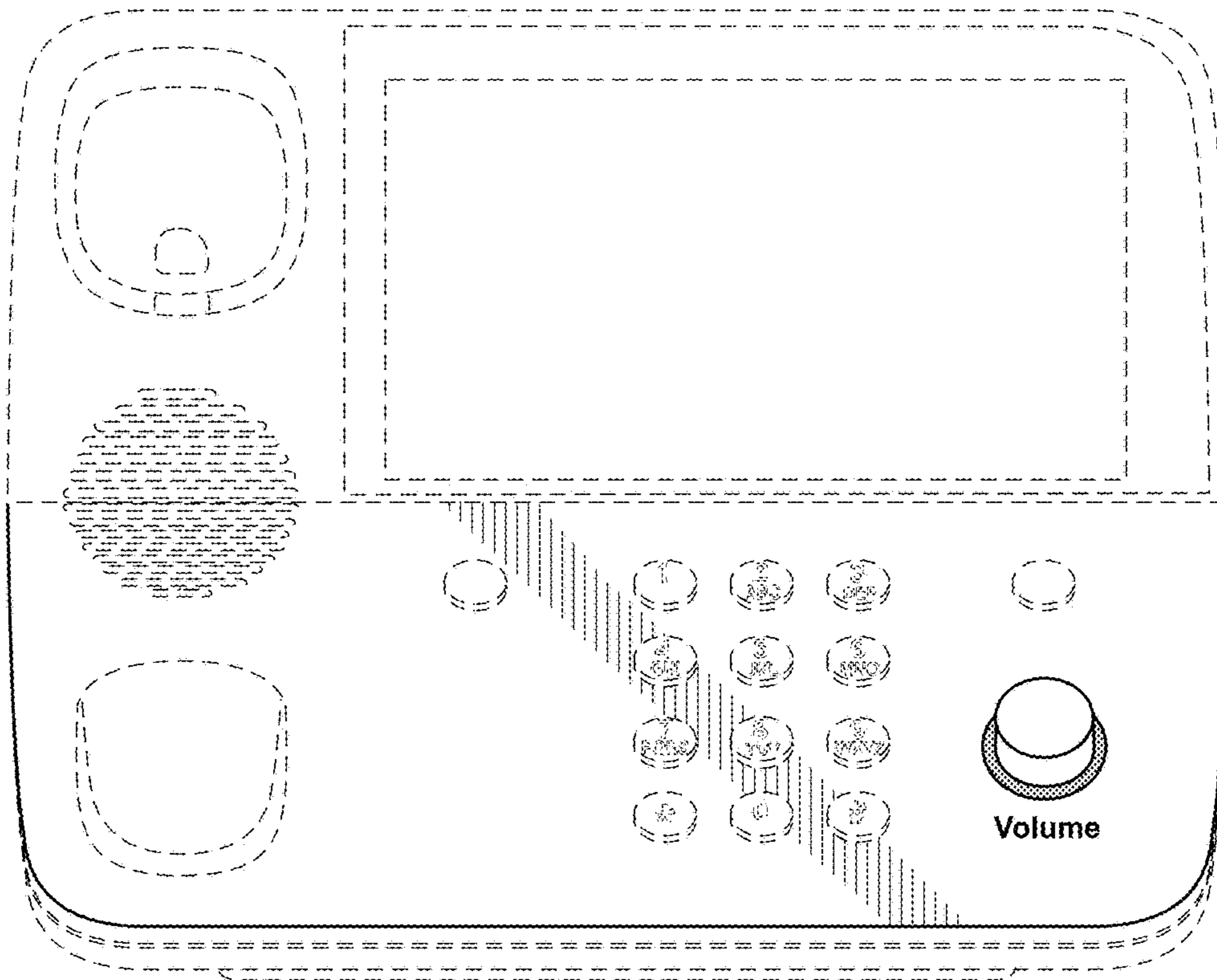


FIG. 10

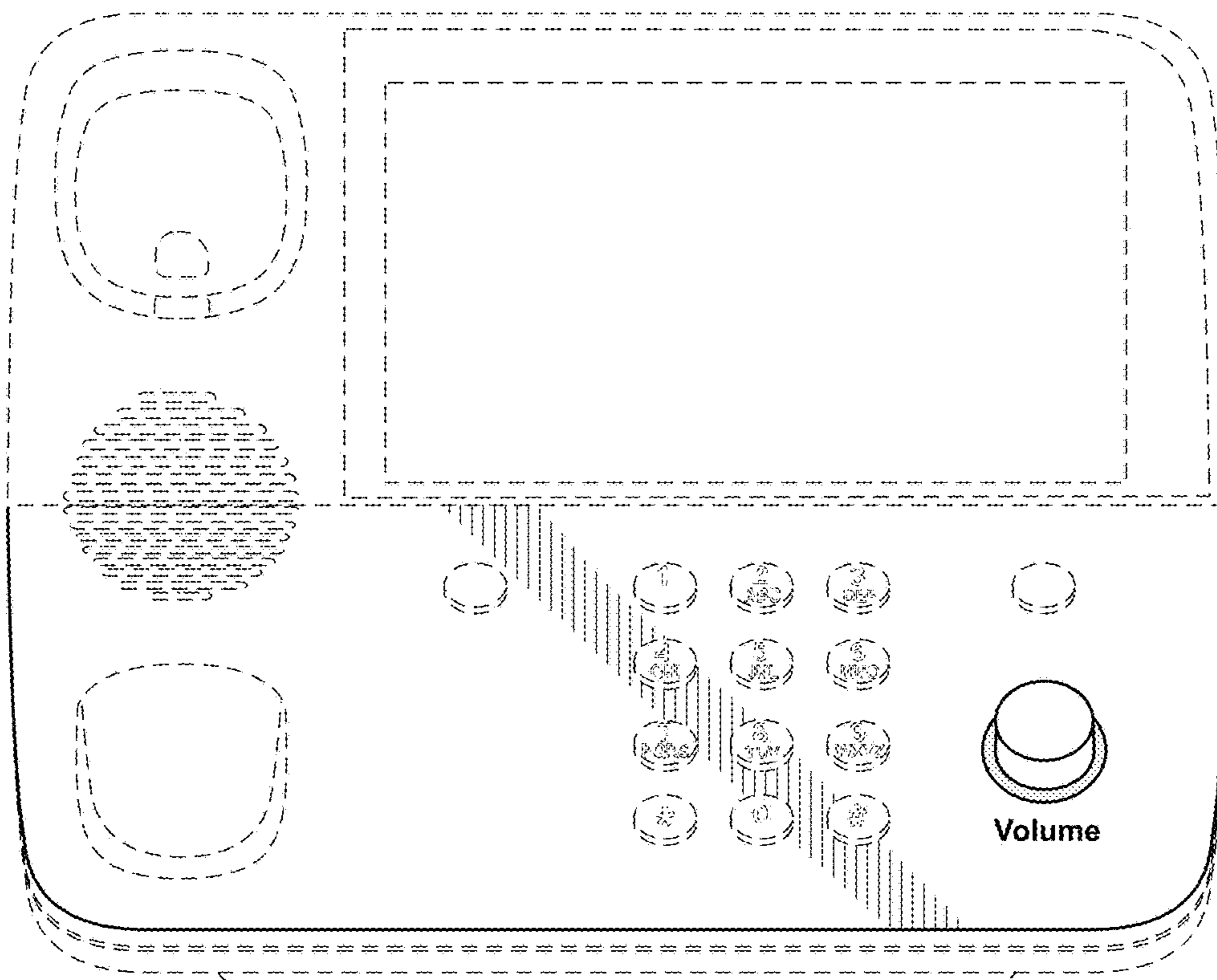


FIG. 11

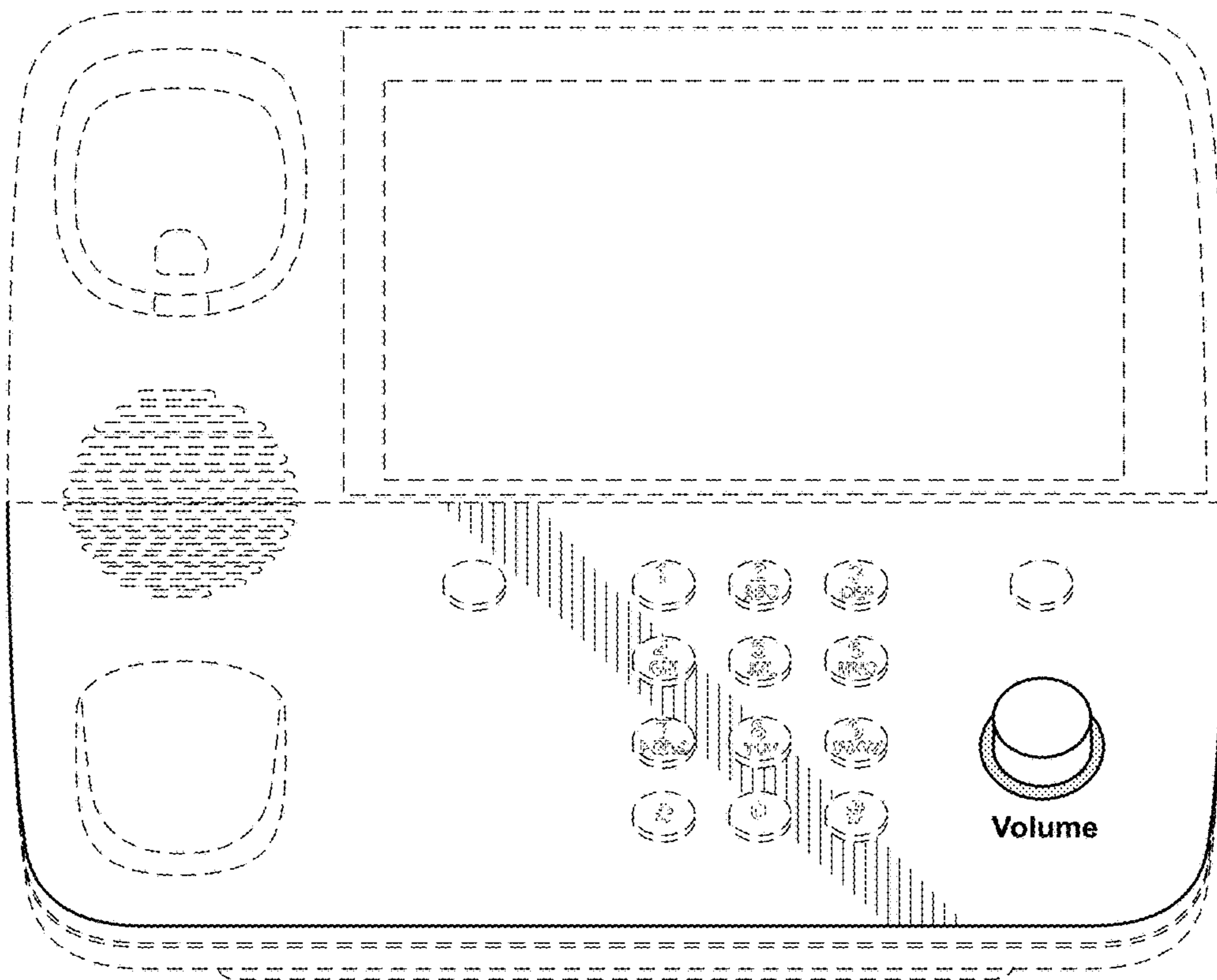


FIG. 12

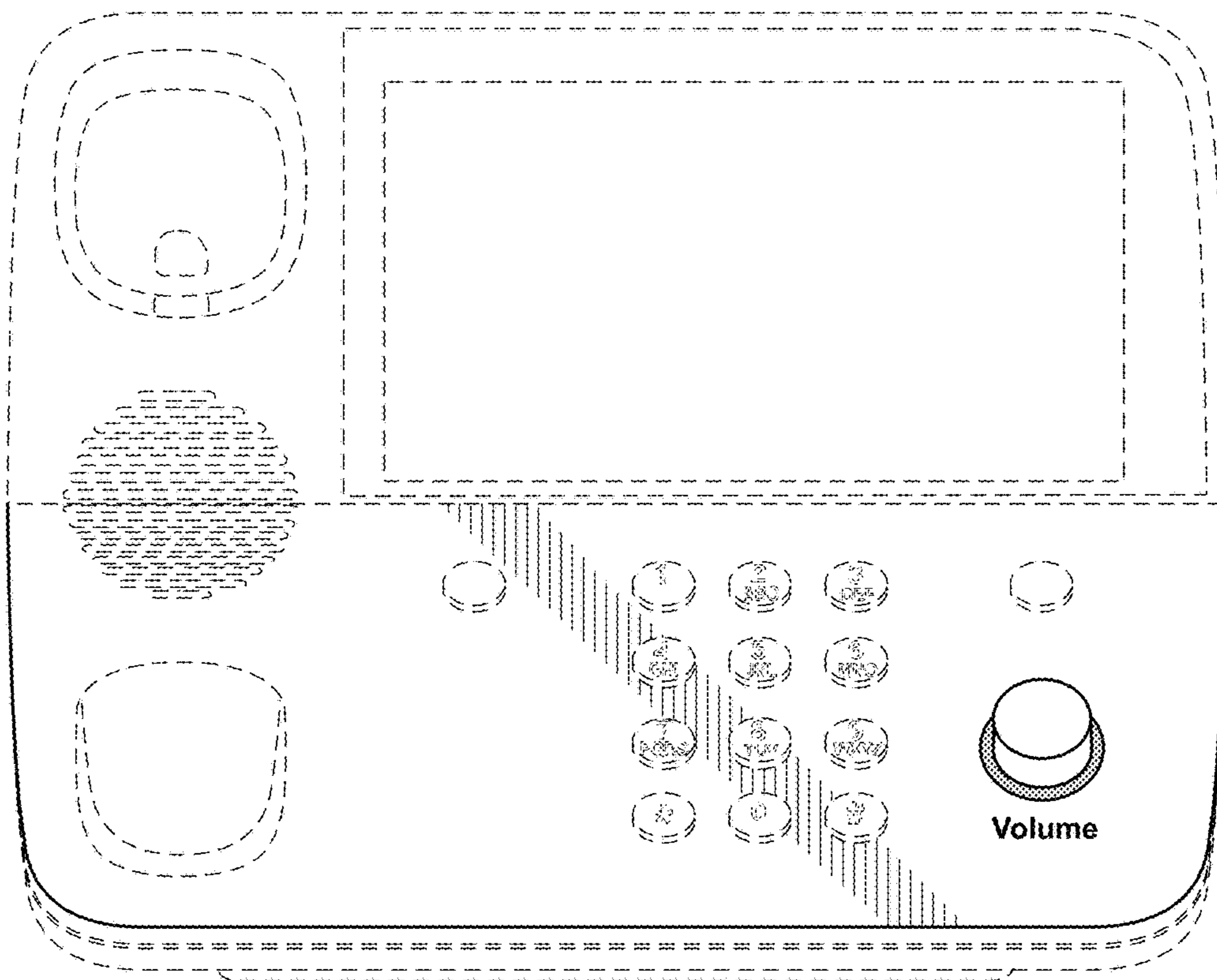


FIG. 13

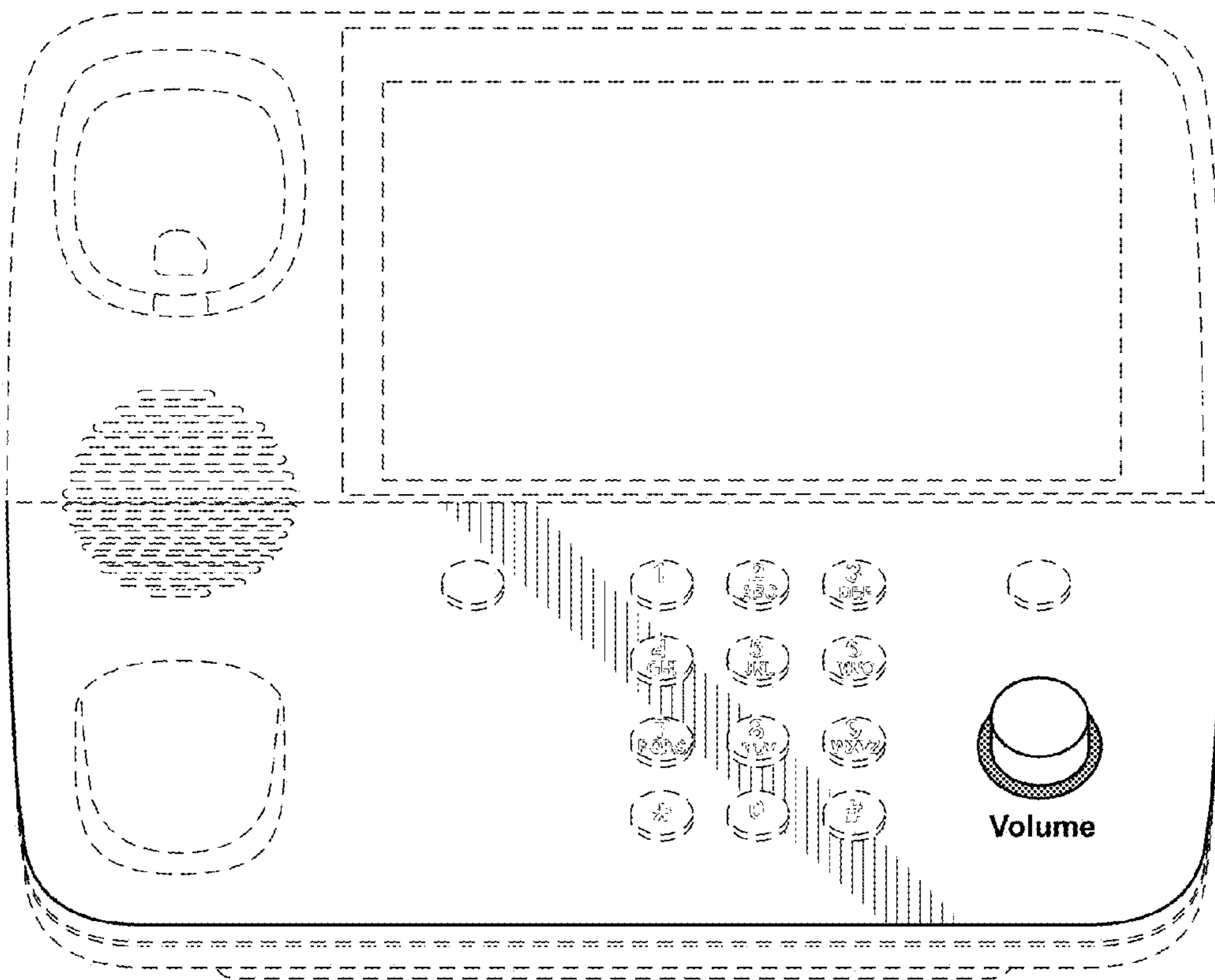


FIG. 14

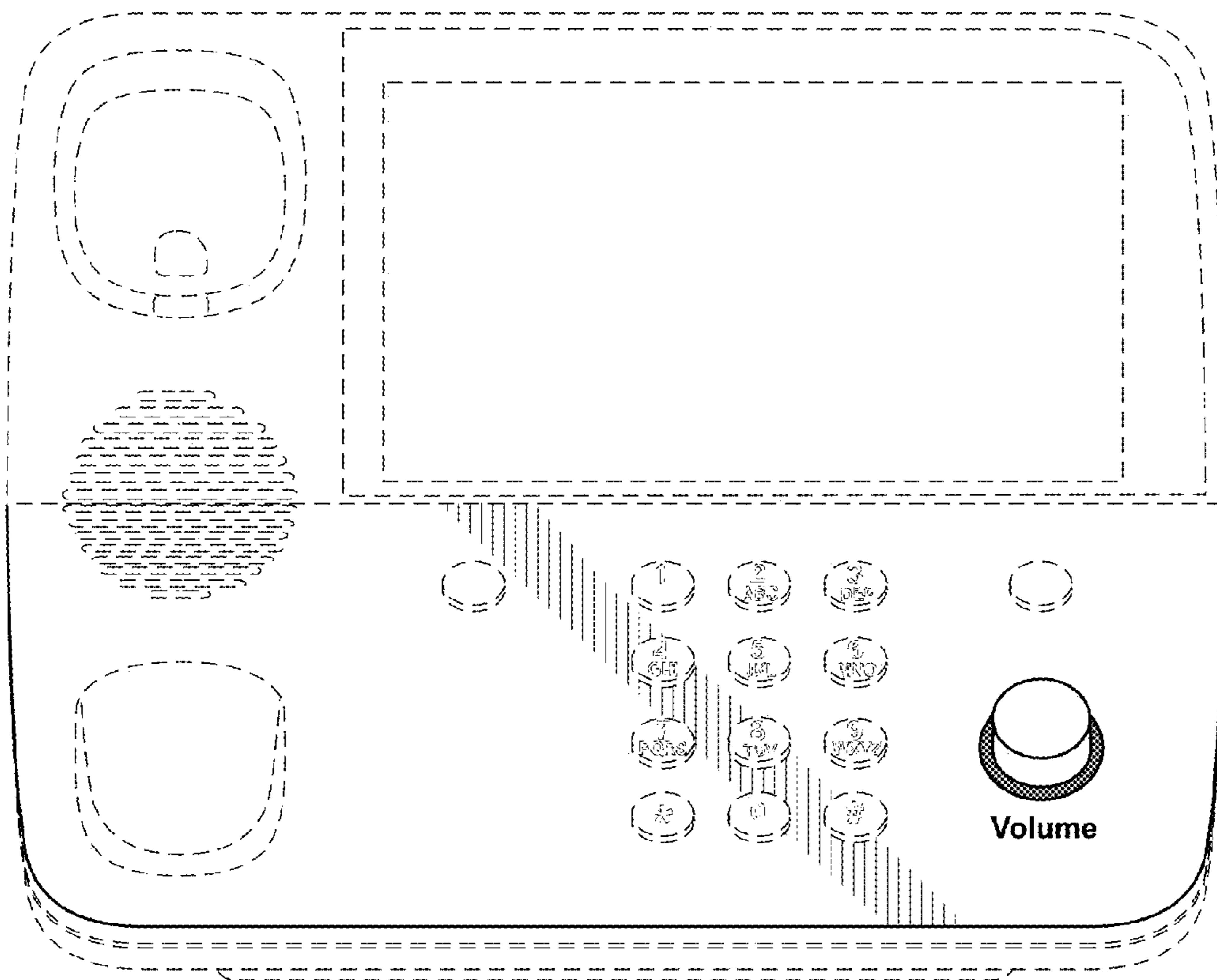


FIG. 15

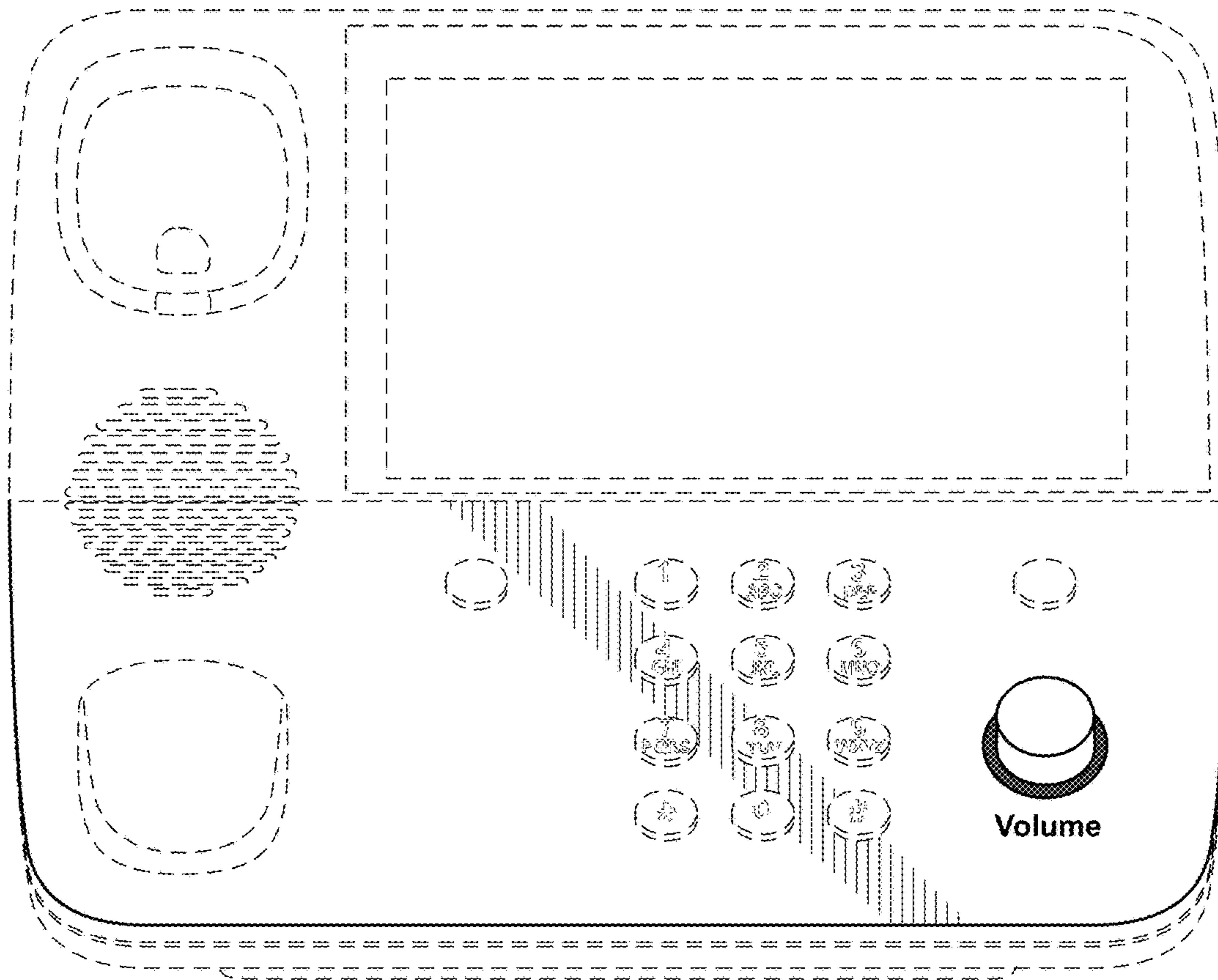


FIG. 16