



US00D778863S

(12) **United States Design Patent**
Lee et al.

(10) **Patent No.:** **US D778,863 S**
(45) **Date of Patent:** **** Feb. 14, 2017**

(54) **MOBILE TERMINAL**

(71) Applicant: **Samsung Electronics Co., Ltd.**,
Suwon-si (KR)

(72) Inventors: **Se-O Lee**, Sunghname-Si (KR); **Sang-II Park**, Seoul (KR); **Eun-Ha Choi**, Seoul (KR); **Seung-Hoon Hyun**, Seoul (KR); **Sang-Min Hyun**, Seoul (KR)

(73) Assignee: **Samsung Electronics Co., Ltd.**,
Suwon-si (KR)

(**) Term: **14 Years**

(21) Appl. No.: **29/499,007**

(22) Filed: **Aug. 11, 2014**

(30) **Foreign Application Priority Data**

Feb. 22, 2014 (KR) 30-2014-0009021

(51) **LOC (10) Cl.** **14-03**

(52) **U.S. Cl.**
USPC **D14/138 AD; D14/138 G; D14/341**

(58) **Field of Classification Search**
USPC D14/138 G, 138 AD, 341, 138 R, 496,
D14/203.1, 203.3, 203.5, 203.7, 144, 250;
455/575.1, 556.2, 575.3, 575.4; D21/517,
D21/329; 379/433.01, 433.04; 361/679.3,
361/679.56

(Continued)

(56) **References Cited**

U.S. PATENT DOCUMENTS

D270,063 S * 8/1983 Ackeret 40/513
D495,695 S * 9/2004 Yugaya D14/346

(Continued)

OTHER PUBLICATIONS

Seamless Flexible Display Concept: i-phone Ace Joker, posting date not given, © 2015 Spicytec [online], [site visited Sep. 18, 2016].

Available from Internet, <URL: <http://www.spicytec.com/2012/05/seamless-flexible-display-concept-i.html>>.*

(Continued)

Primary Examiner — Jeffrey D Asch
(74) *Attorney, Agent, or Firm* — NSIP Law

(57) **CLAIM**

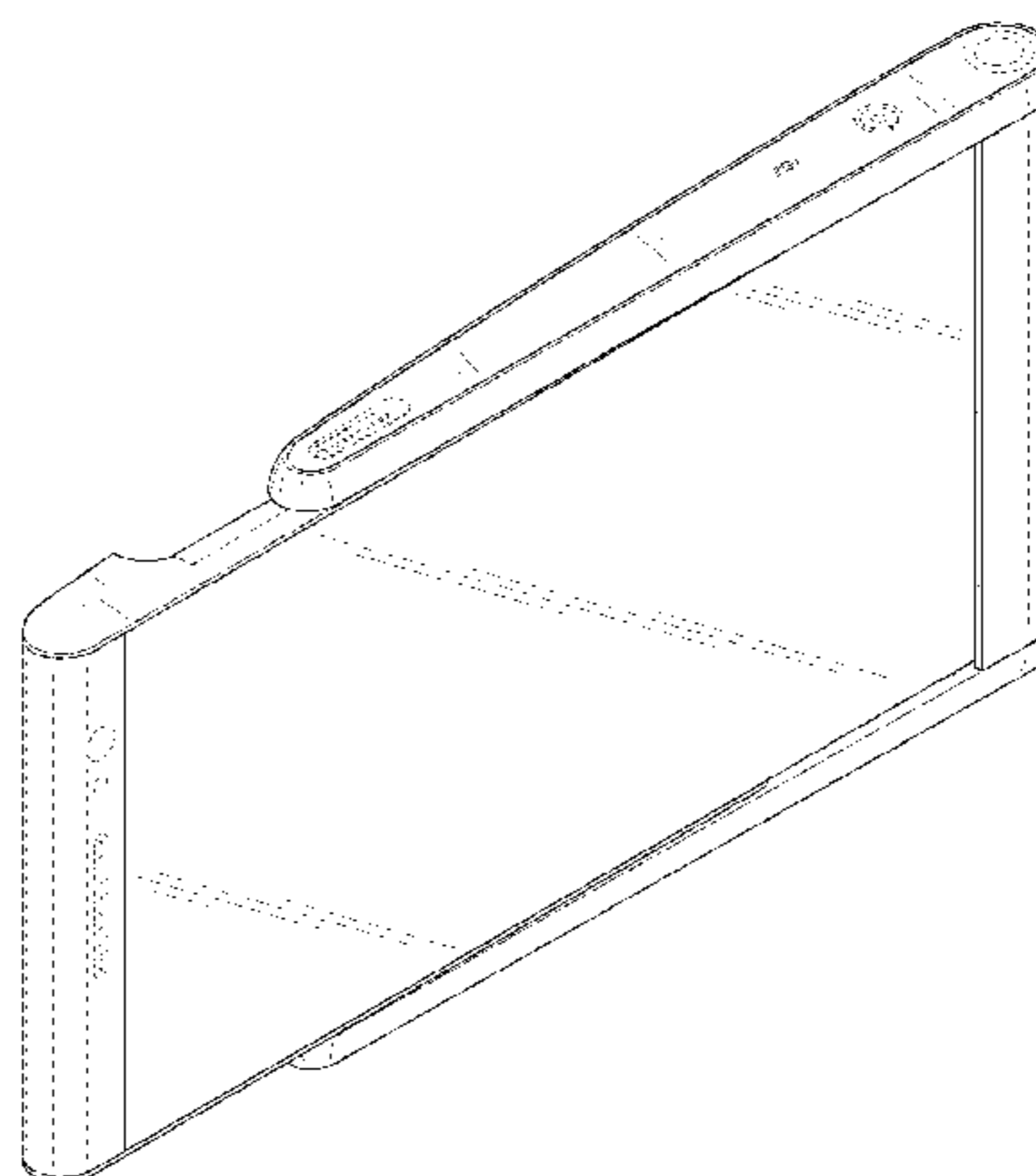
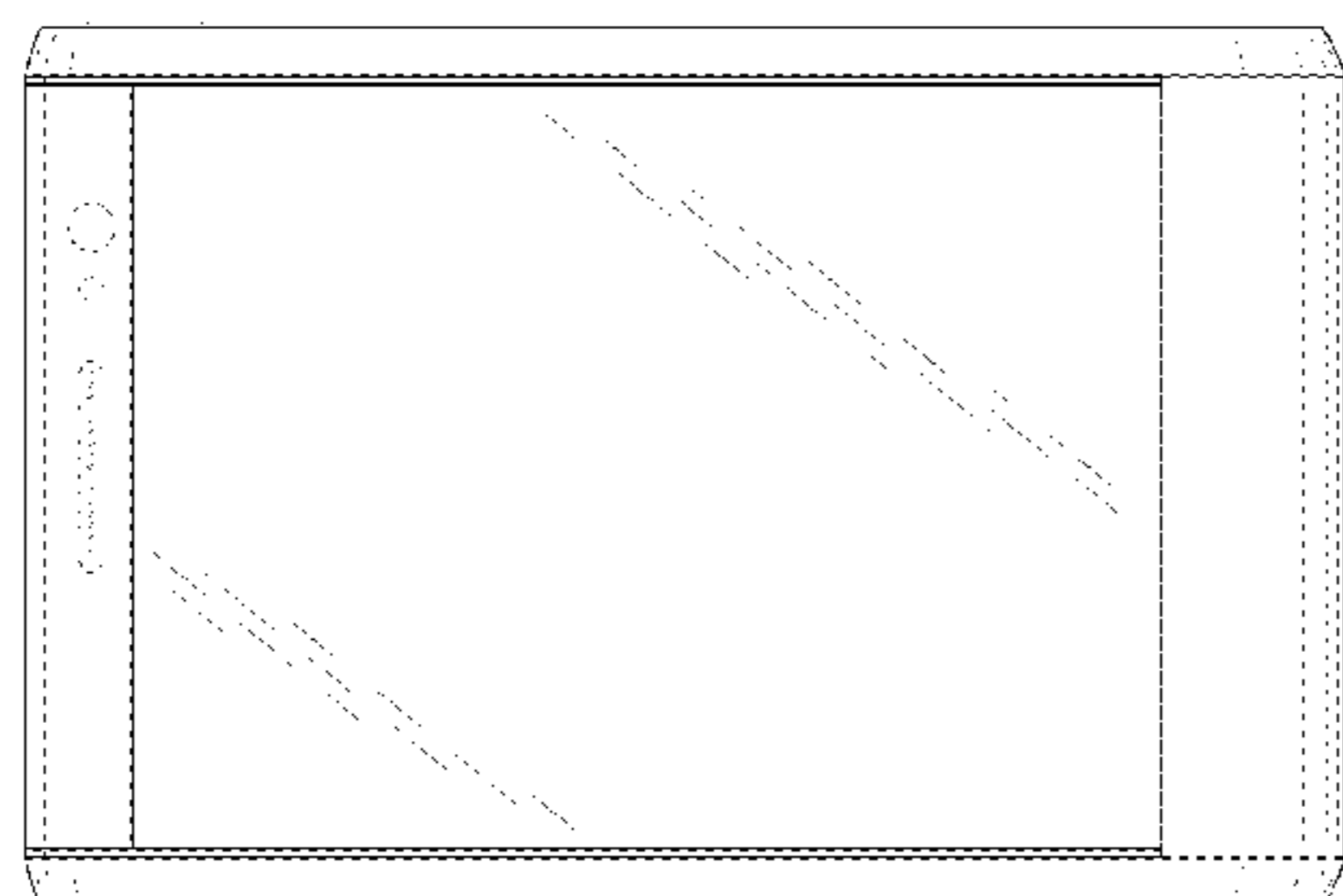
We claim the ornamental design for a mobile terminal, as shown and described.

DESCRIPTION

FIG. 1 is a front perspective view of a mobile terminal showing our new design;
FIG. 2 is a front view thereof;
FIG. 3 is a rear view thereof;
FIG. 4 is a left-side view thereof;
FIG. 5 is a right-side view thereof;
FIG. 6 is a top view thereof;
FIG. 7 is a bottom view thereof;
FIG. 8 is another front perspective view, in which the mobile terminal is provided in a first alternate position;
FIG. 9 is a front view thereof;
FIG. 10 is a rear view thereof;
FIG. 11 is a top view thereof;
FIG. 12 is a bottom view of thereof;
FIG. 13 is another front perspective view, in which the mobile terminal is provided in a second alternate position;
FIG. 14 is a front view thereof;
FIG. 15 is a rear view thereof;
FIG. 16 is a top view thereof;
FIG. 17 is a bottom view thereof;
FIG. 18 is another front perspective view of FIG. 1, in which a cover in broken lines is provided to illustrate an example environment; and,
FIG. 19 is another front perspective view, in which the mobile terminal is provided in a third alternate position and a cover in broken lines is provided to illustrate an example environment.

The broken lines shown in the figures that are immediately adjacent to the shaded areas and define unshaded regions represent the bounds of the claim. All other broken lines, that

(Continued)



is, the features within broken line boundaries, are directed to environment. The broken lines form no part of the claimed design.

The broken line showing of the cover in FIGS. 18 and 19 is for environmental purposes only and forms no part of the claimed design.

1 Claim, 15 Drawing Sheets

(58) **Field of Classification Search**

CPC ... G06F 1/1626; H04M 1/0266; H04M 1/0202
See application file for complete search history.

(56) **References Cited**

U.S. PATENT DOCUMENTS

D534,153 S * 12/2006 Naruki D14/203.7
7,512,427 B2 * 3/2009 Finke-Anlauff G06F 1/1624
345/168
D592,659 S * 5/2009 Montgomery D14/341
7,639,237 B2 * 12/2009 Perkins G06F 1/1615
345/156
D607,863 S * 1/2010 Bang D14/138 AA
D612,845 S * 3/2010 Morabito D14/341
D613,722 S * 4/2010 Kaneta D14/138 G
D616,407 S * 5/2010 Kim D14/138 G
8,314,751 B2 * 11/2012 Yang G06F 1/1624
345/1.1
D697,507 S * 1/2014 Yu D14/341
D712,401 S * 9/2014 Lee D14/341
8,860,656 B1 * 10/2014 Cho G06F 3/041
345/1.1

D718,266 S * 11/2014 Zhang D14/138 G
9,144,165 B2 * 9/2015 Yu H05K 5/04
D750,067 S * 2/2016 Park D14/203.3
D757,716 S * 5/2016 Park D14/341
D757,718 S * 5/2016 Park D14/341
2006/0038745 A1 * 2/2006 Naksen G06F 1/1624
345/30
2010/0273542 A1 * 10/2010 Holman, IV H04M 1/0237
455/575.4
2013/0058063 A1 * 3/2013 O'Brien G06F 1/1624
361/807
2014/0194165 A1 * 7/2014 Hwang G06F 1/1677
455/566
2015/0331593 A1 * 11/2015 Lee G06F 1/1677
345/667
2016/0081204 A1 * 3/2016 Park G06F 1/1652
361/807
2016/0140888 A1 * 5/2016 Lee G09G 3/20
345/698
2016/0143131 A1 * 5/2016 Ahn H05K 1/028
361/749
2016/0209970 A1 * 7/2016 Lee G09F 9/301

OTHER PUBLICATIONS

The Eclipse Phone—The phone that can be cool without gadgets., posted Jan. 28, 2007, [online], [site visited Sep. 18, 2016]. Available from Internet, <URL: <http://www.our-picks.com/archives/2007/01/28/the-eclipse-phone-the-phone-that-can-be-cool-without-gadgets/>>.*

LG GT540 Optimus, released 2010, [online], [site visited Jul. 27, 2016]. Available from Internet, <URL: http://www.gsmarena.com/lg_gt540_optimus-3081.php>.*

* cited by examiner

FIG. 1

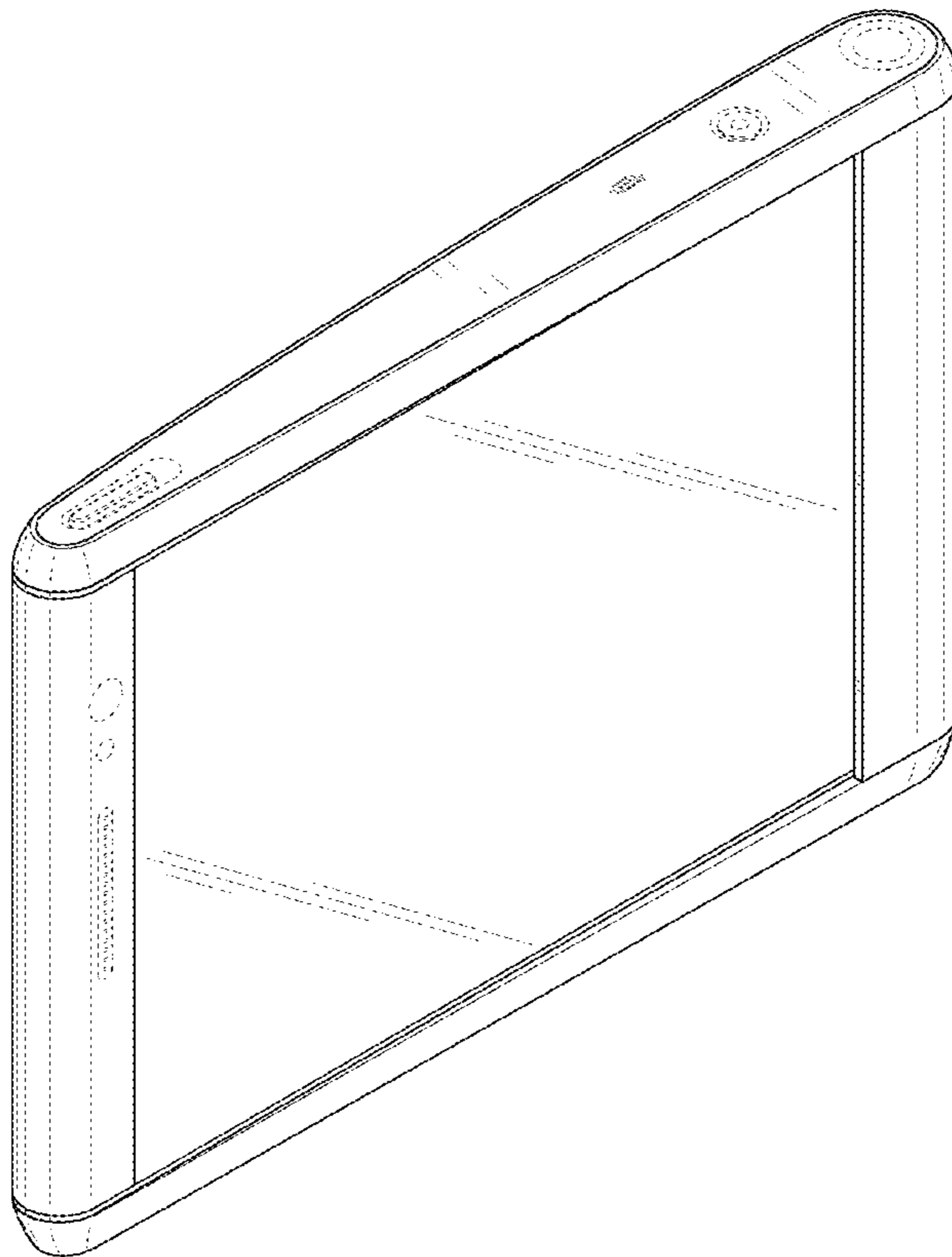


FIG. 2

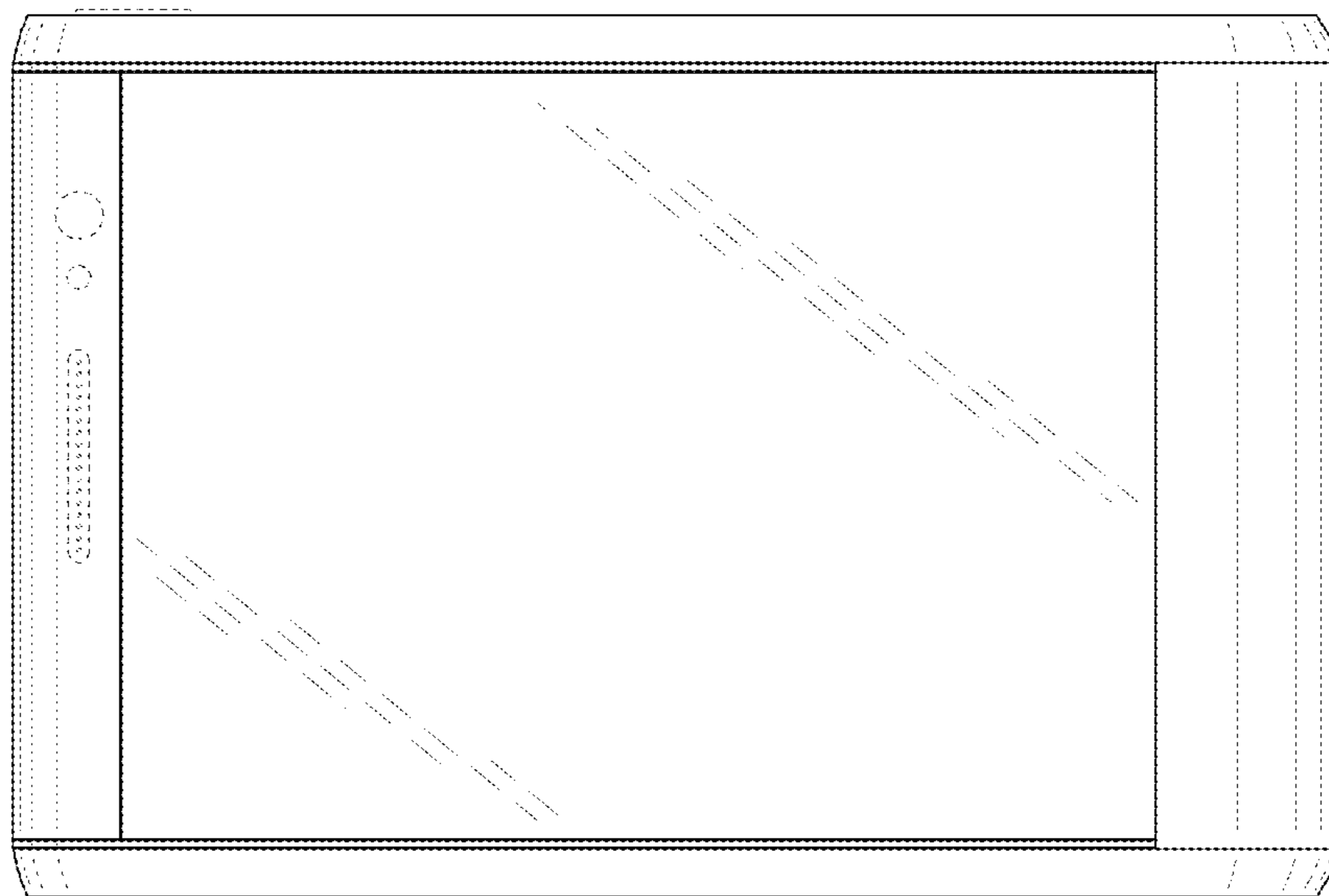


FIG. 3

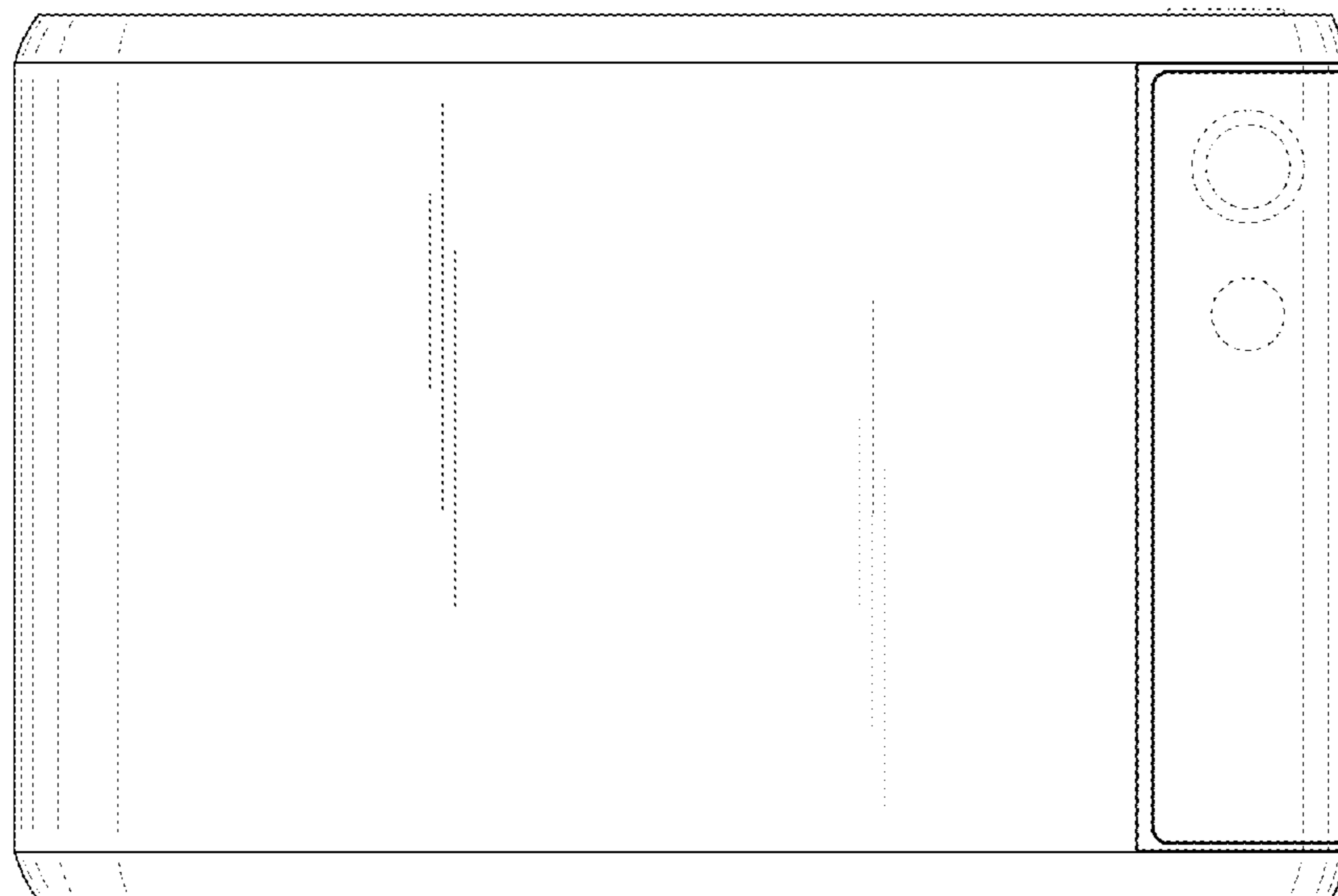


FIG. 4

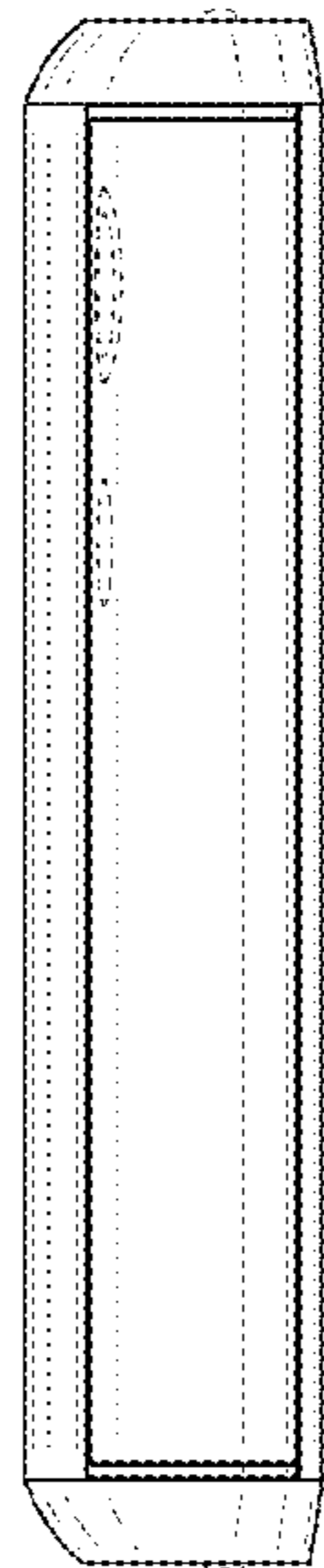


FIG. 5

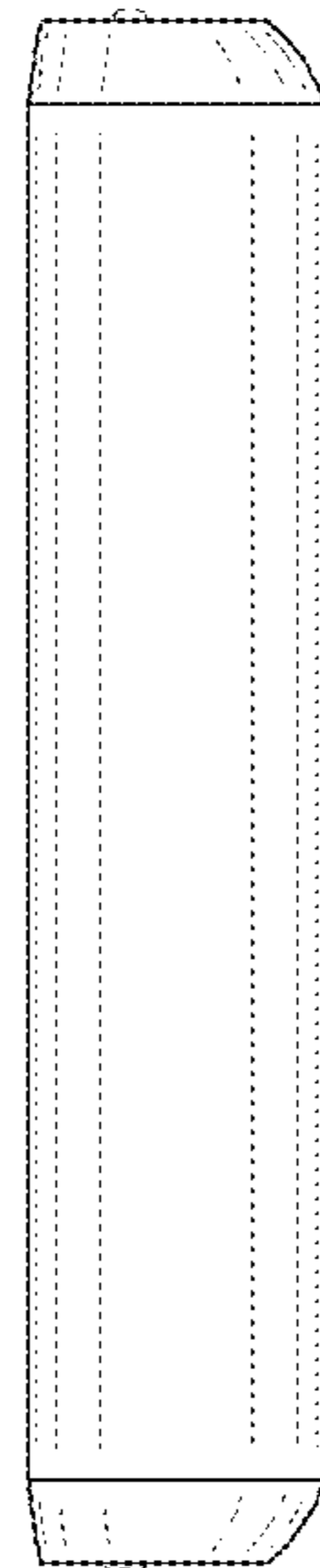


FIG. 6

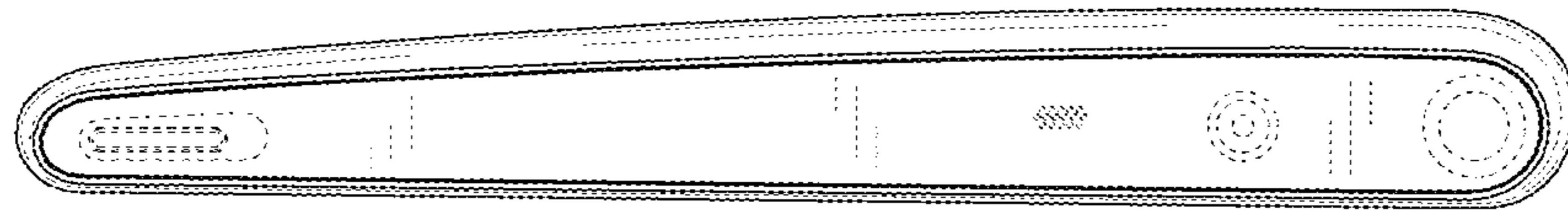


FIG. 7

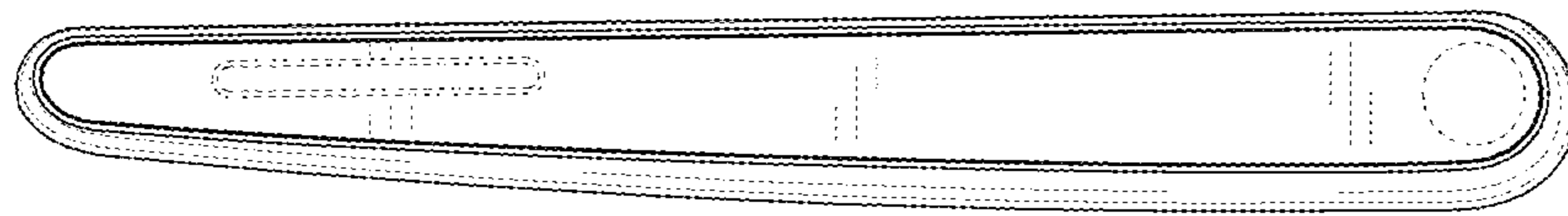


FIG. 8

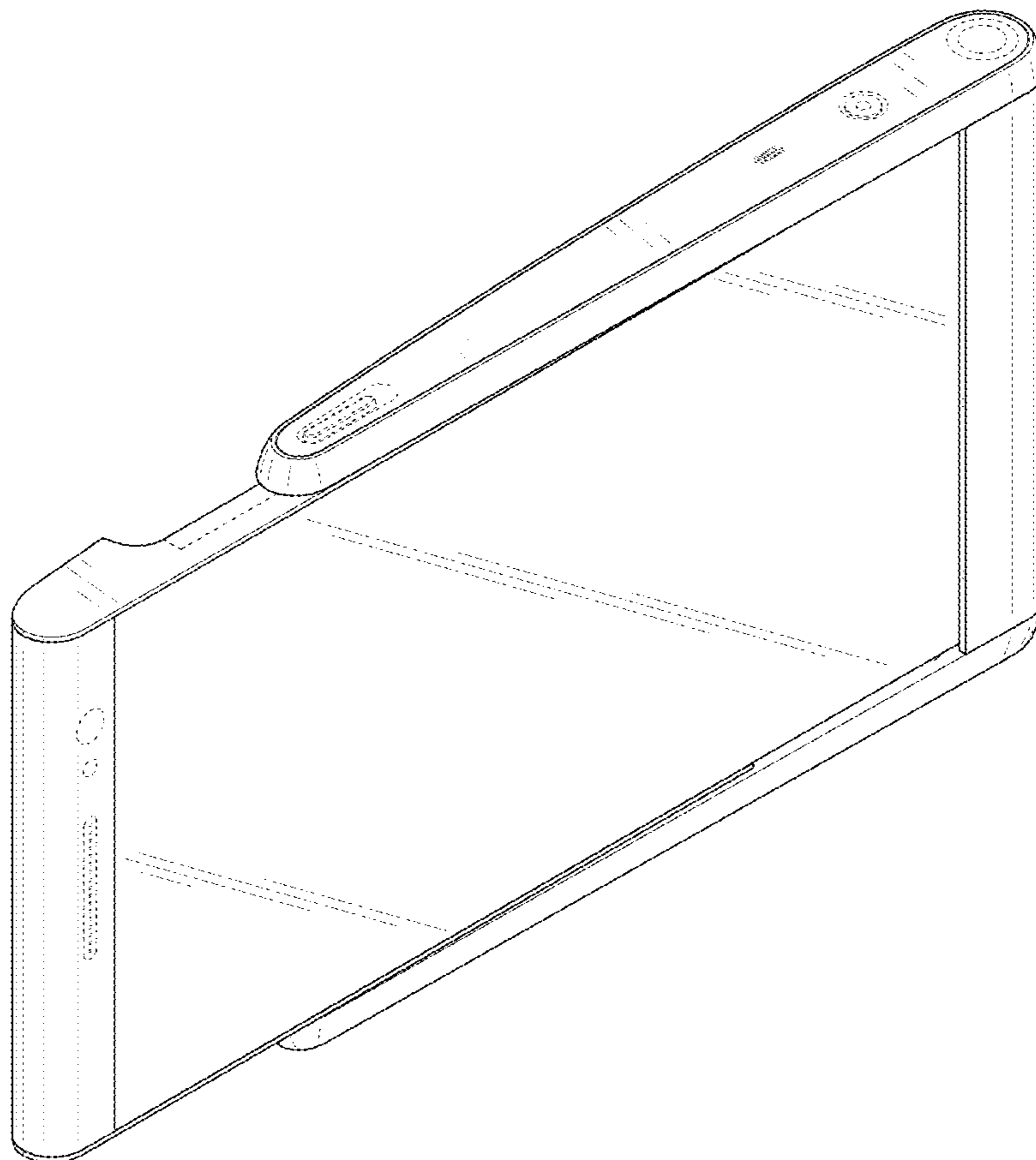


FIG. 9

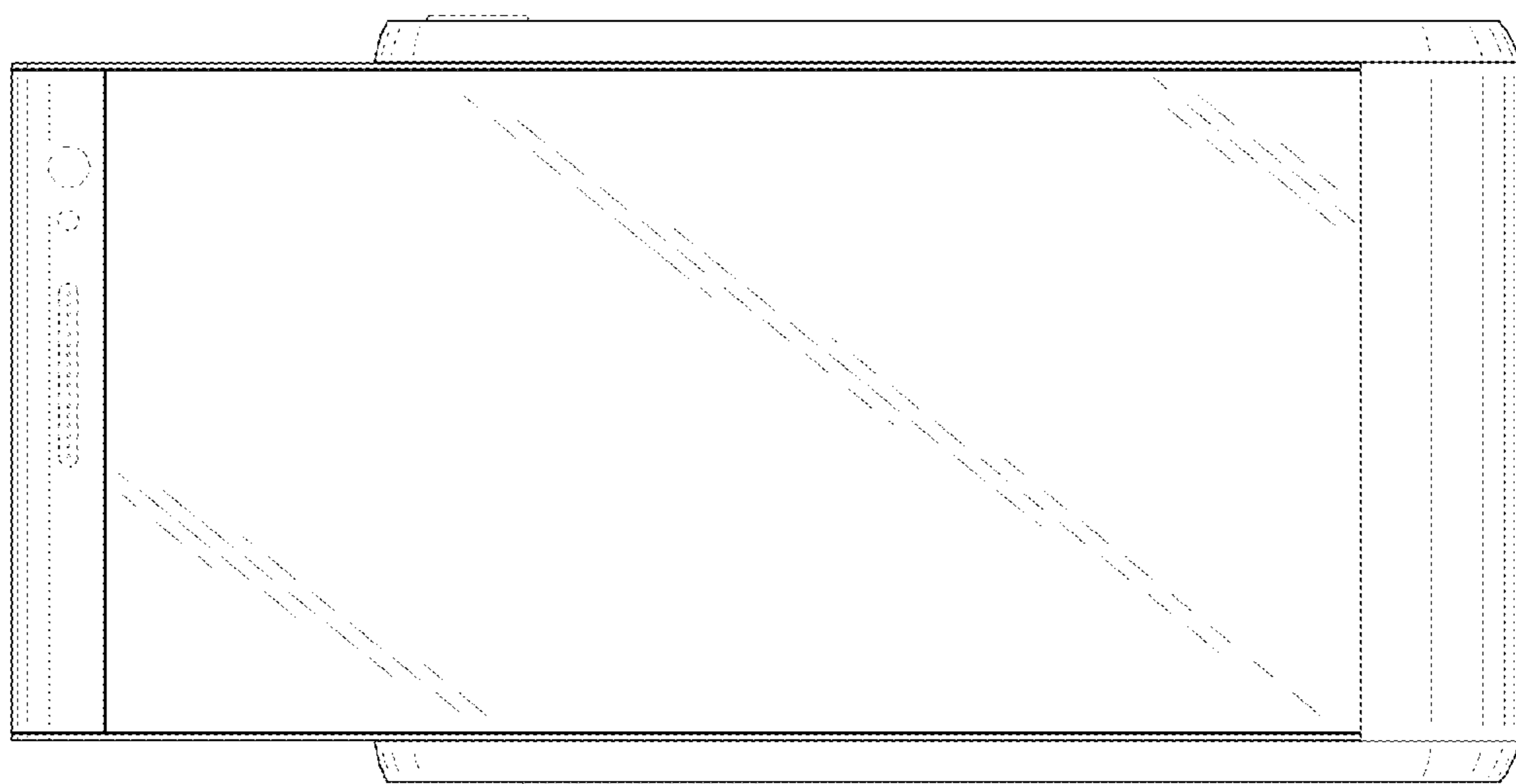


FIG. 10

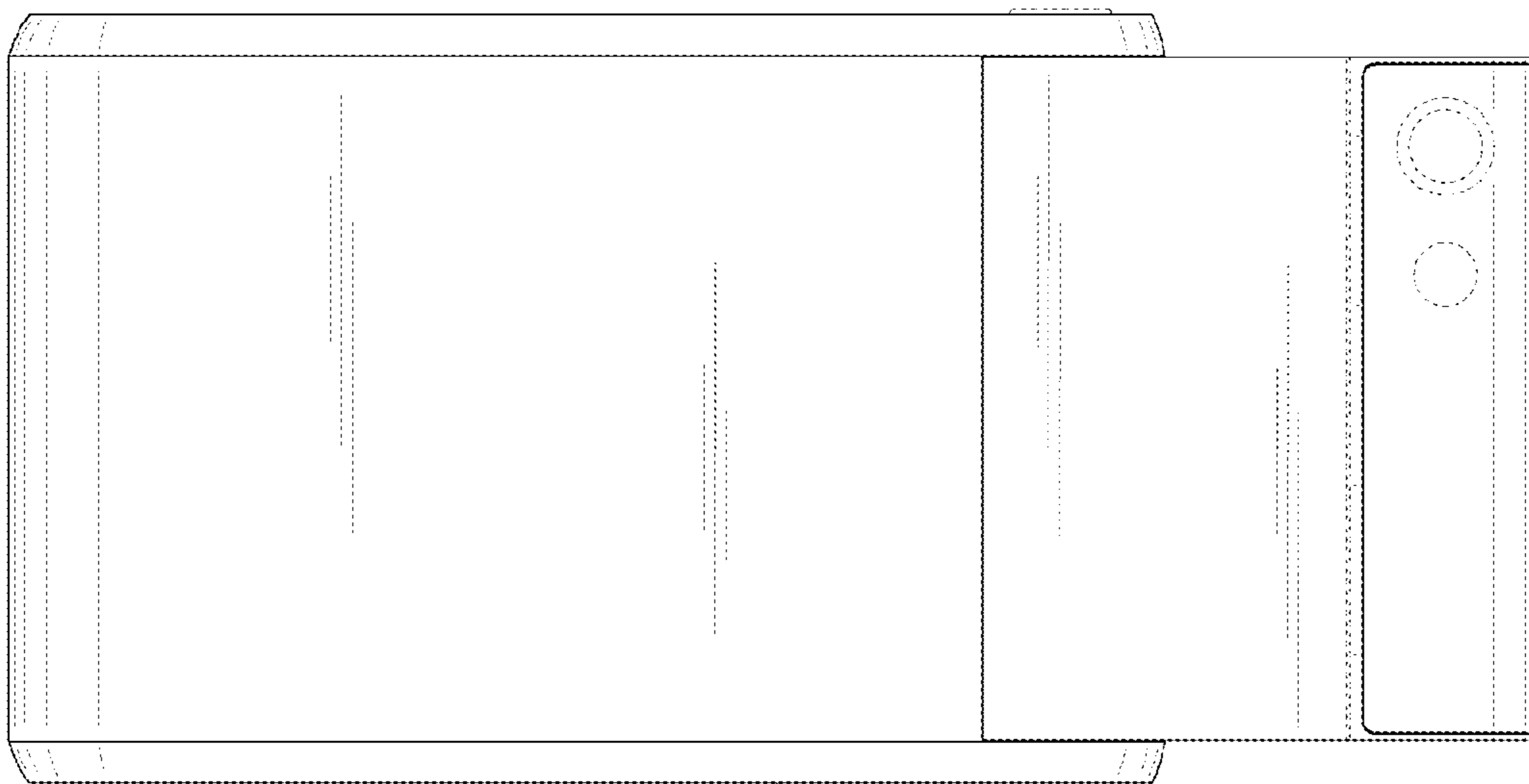


FIG. 11

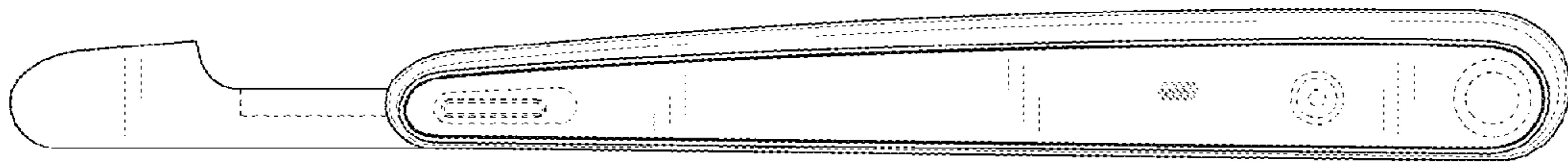


FIG. 12

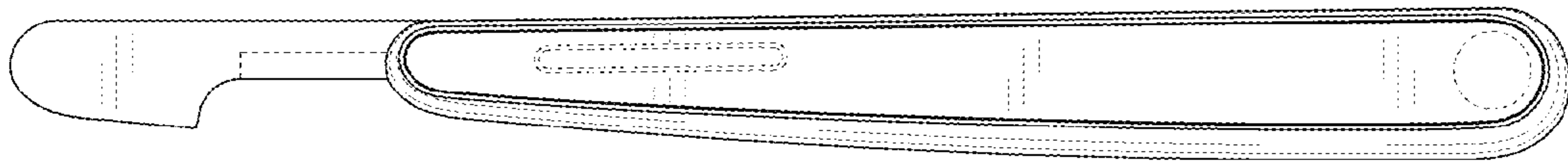


FIG. 13

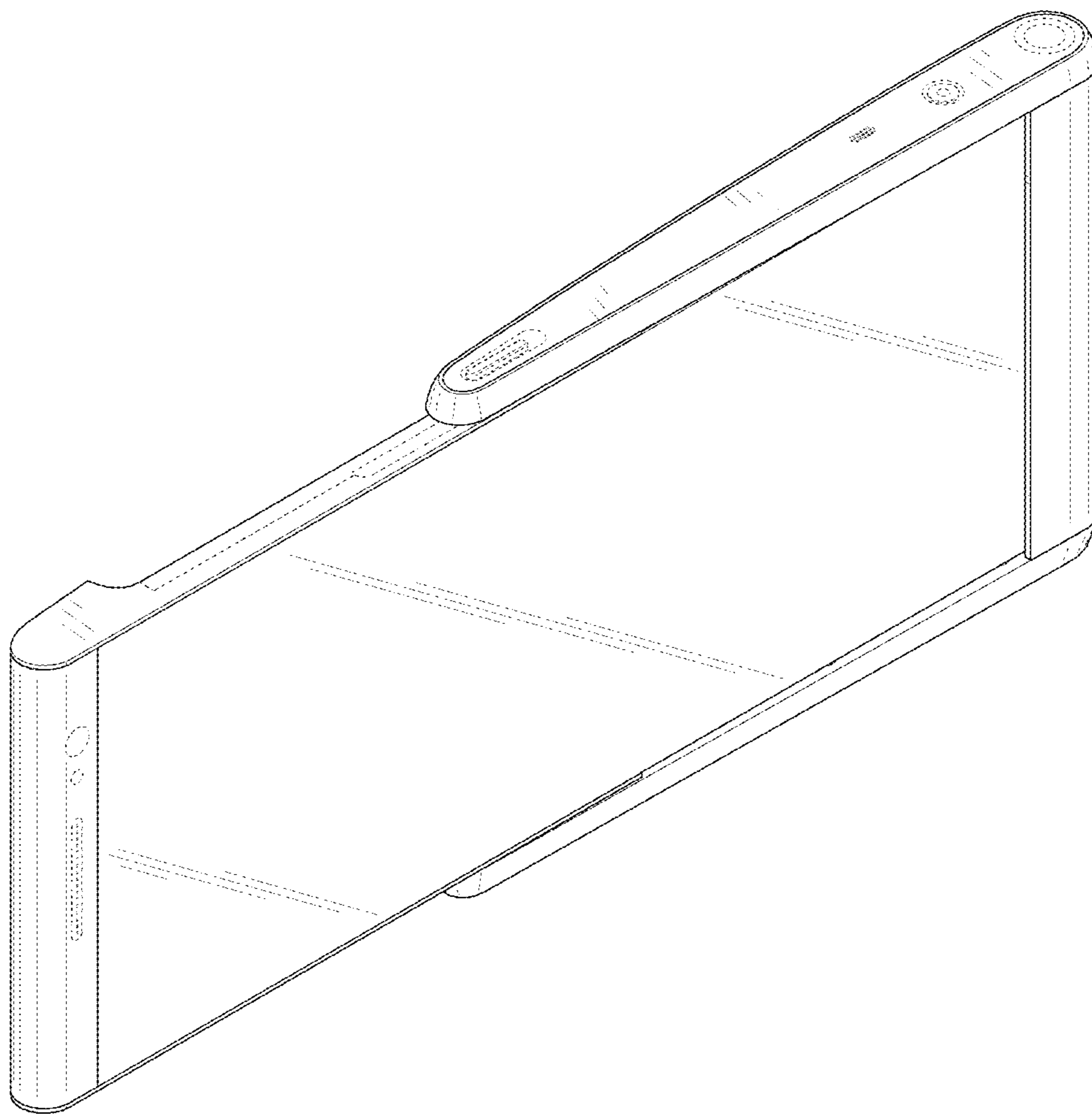


FIG. 14

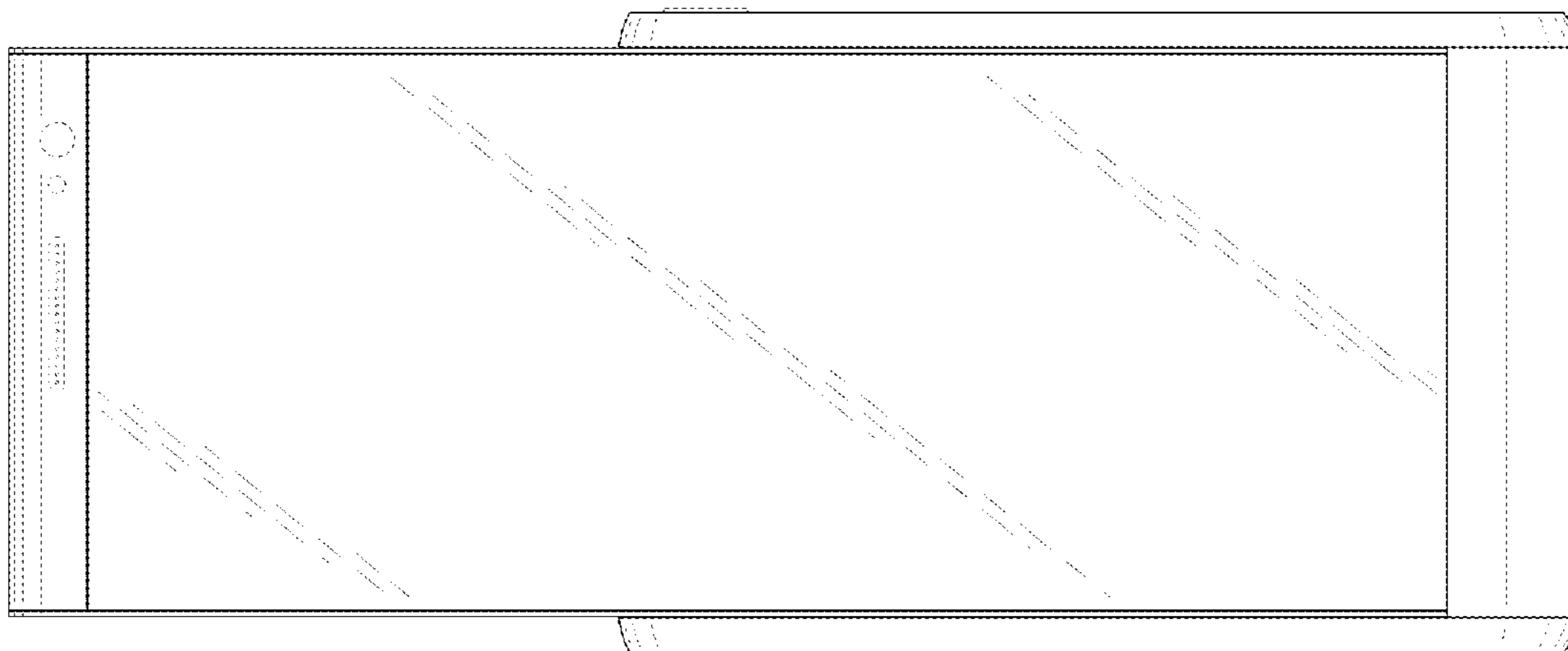


FIG. 15

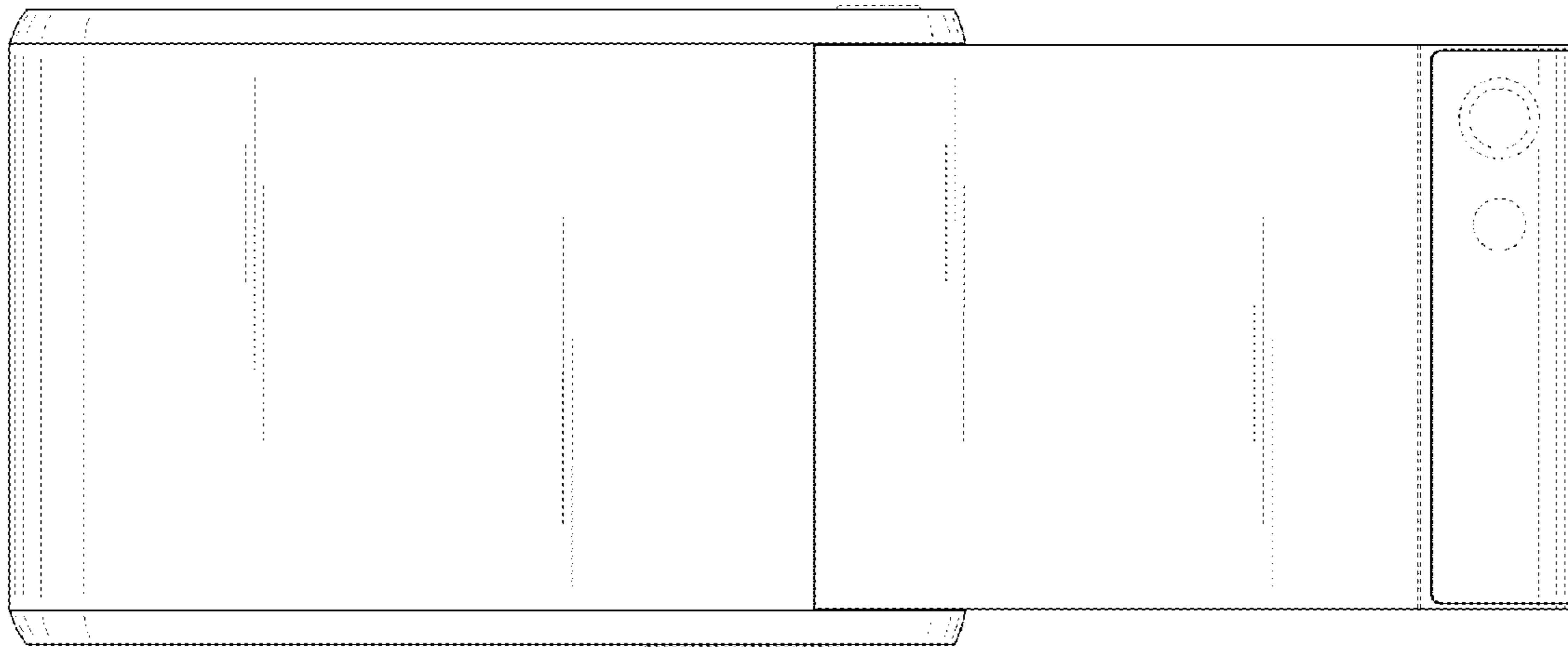


FIG. 16

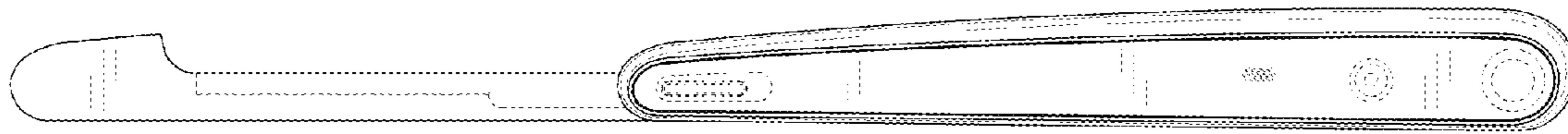


FIG. 17

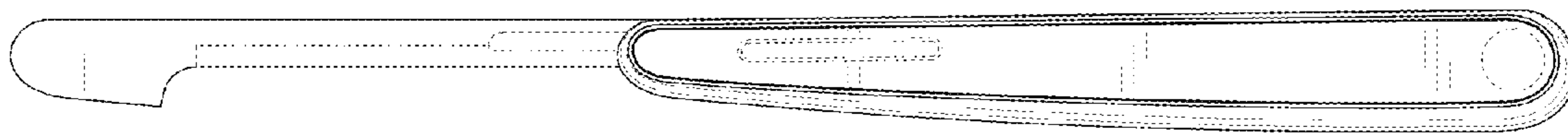


FIG. 18

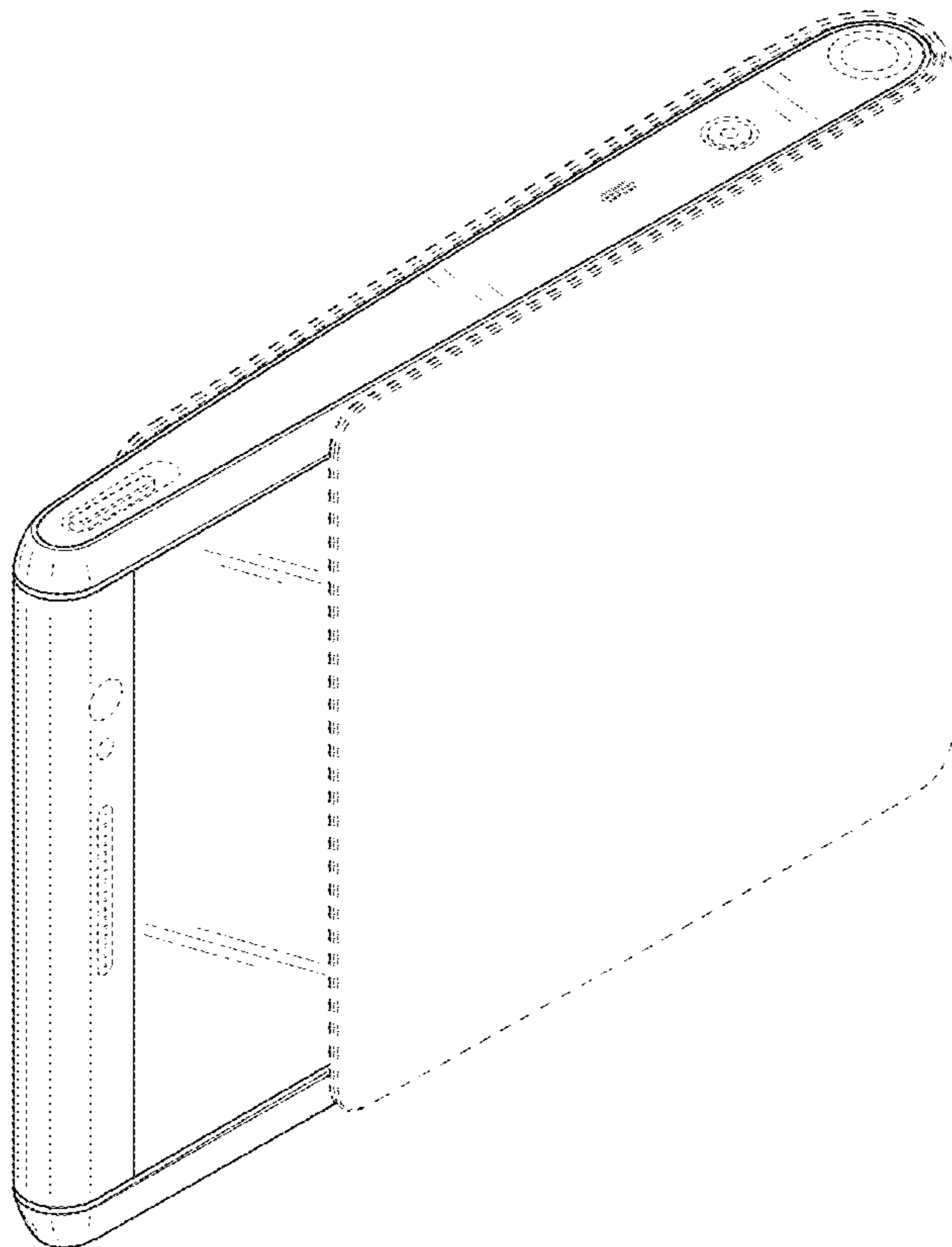


FIG. 19

