



US00D778860S

(12) **United States Design Patent**
Kim et al.

(10) **Patent No.:** **US D778,860 S**

(45) **Date of Patent:** **** *Feb. 14, 2017**

(54) **TV RECEIVER**

(71) Applicant: **LG ELECTRONICS INC.**, Seoul
(KR)

(72) Inventors: **ByungSoo Kim**, Seoul (KR); **Seongahn Jeon**, Seoul (KR); **Hana Kim**, Seoul
(KR)

(73) Assignee: **LG ELECTRONICS INC.**, Seoul
(KR)

(*) Notice: This patent is subject to a terminal disclaimer.

(**) Term: **15 Years**

(21) Appl. No.: **29/551,441**

(22) Filed: **Jan. 13, 2016**

(30) **Foreign Application Priority Data**

Jul. 13, 2015 (KR) 30-2015-0035180

(51) **LOC (10) Cl.** **14-03**

(52) **U.S. Cl.**
USPC **D14/126**

(58) **Field of Classification Search**

USPC D14/125-134, 239, 371, 136, 374-377,
D14/440, 450, 448, 336, 342, 159;
312/7.2; 348/836, 838, 180, 184, 325,
348/739; 248/917-924, 465; 345/104,
345/133, 156, 168, 87, 173; D21/329,
D21/515, 577, 622, 333, 433, 448, 452,
D21/450, 331, 505; D10/15, 26; 446/484,
446/175, 356; D6/477, 479, 300; D20/10,
D20/19, 39; D16/203, 241; 160/24
CPC G06F 1/1601; G06F 1/1643; G06F 1/1652;
G06F 1/1647; G06F 3/0412; H05K
5/0004; H05K 5/0017; H05K 5/02; H05K
5/0217; H04N 13/0459

See application file for complete search history.

(56) **References Cited**

U.S. PATENT DOCUMENTS

D323,338 S * 1/1992 Court 160/24
6,498,597 B1 * 12/2002 Sawano G09F 11/29
345/107
D503,045 S * 3/2005 Hahn D6/300
7,050,835 B2 * 5/2006 Hack H04M 1/0208
379/447
D568,364 S * 5/2008 Jeoung D16/241
D578,574 S * 10/2008 Lundgren D20/99
7,463,238 B2 * 12/2008 Funkhouser G06F 1/1601
345/107
D607,034 S * 12/2009 Adams D16/241
D607,916 S * 1/2010 Orion D16/241

(Continued)

Primary Examiner — Raphael Barkai

(74) *Attorney, Agent, or Firm* — Birch, Stewart, Kolasch
& Birch, LLP

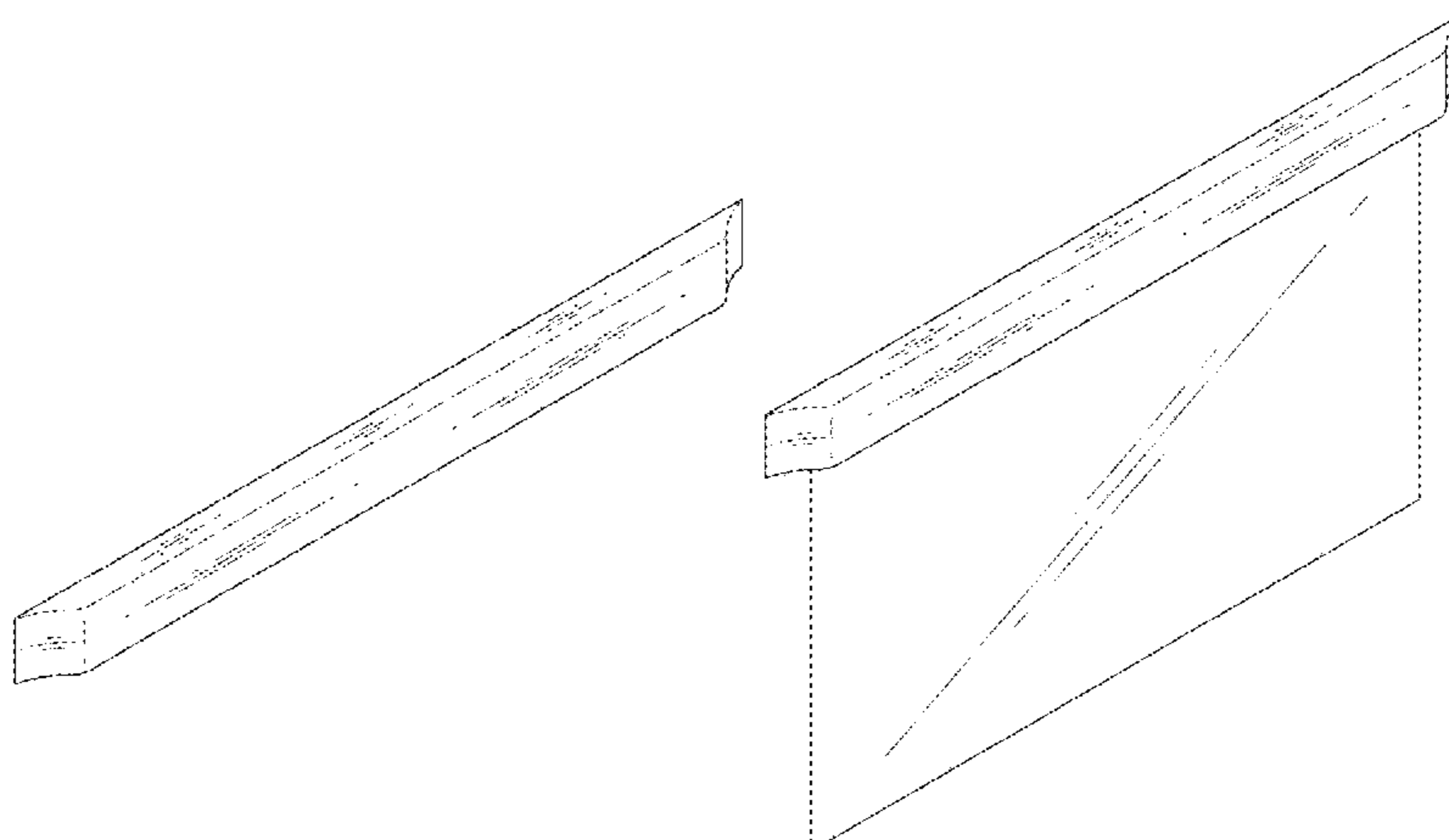
(57) **CLAIM**

The ornamental design for a TV receiver, as shown and described.

DESCRIPTION

FIG. 1 is a front, right side, perspective view of a TV receiver showing our new design;
FIG. 2 is a front view thereof;
FIG. 3 is a rear view thereof;
FIG. 4 is a left side view thereof;
FIG. 5 is a right side view thereof;
FIG. 6 is a top view thereof;
FIG. 7 is a bottom view thereof;
FIG. 8 is a front, right side, perspective view in a use state thereof;
FIG. 9 is a front view in a use state thereof;
FIG. 10 is a rear view in a use state thereof;
FIG. 11 is a left side view in a use state thereof;
FIG. 12 is a right side view in a use state thereof;
FIG. 13 is a top view in a use state thereof;
FIG. 14 is a bottom view in a use state thereof, and,
FIG. 15 is a front, right side, perspective view with the display unit that is sliding to the down thereof.

(Continued)



The broken lines indicate unclaimed portion of the article that form no part of the claimed design.

1 Claim, 6 Drawing Sheets

(56) **References Cited**

U.S. PATENT DOCUMENTS

D614,225	S *	4/2010	Adams	D16/241
D616,034	S *	5/2010	Carlsson	D20/43
8,274,737	B2 *	9/2012	Wang	G03B 21/58
					359/443
D735,709	S *	8/2015	Daniel	D14/341
9,189,028	B2 *	11/2015	Nakhimov	G06F 1/1652
D744,998	S *	12/2015	Ahn	D14/341
9,244,494	B2 *	1/2016	Hinson	G06F 15/025
2006/0279840	A1 *	12/2006	Yamauchi	G03B 21/56
					359/461
2007/0121209	A1 *	5/2007	Liang	G03B 21/58
					359/461
2008/0212271	A1 *	9/2008	Misawa	G02F 1/133305
					361/679.01
2014/0213324	A1 *	7/2014	Tan	H04M 1/0268
					455/566
2015/0029229	A1 *	1/2015	Voutsas	G06F 1/1652
					345/661
2015/0047796	A1 *	2/2015	Peng	E06B 9/42
					160/323.1
2015/0153777	A1 *	6/2015	Liu	G06F 1/1652
					345/173
2015/0220188	A1 *	8/2015	Zhao	G09G 3/36
					345/174

* cited by examiner

FIG. 1

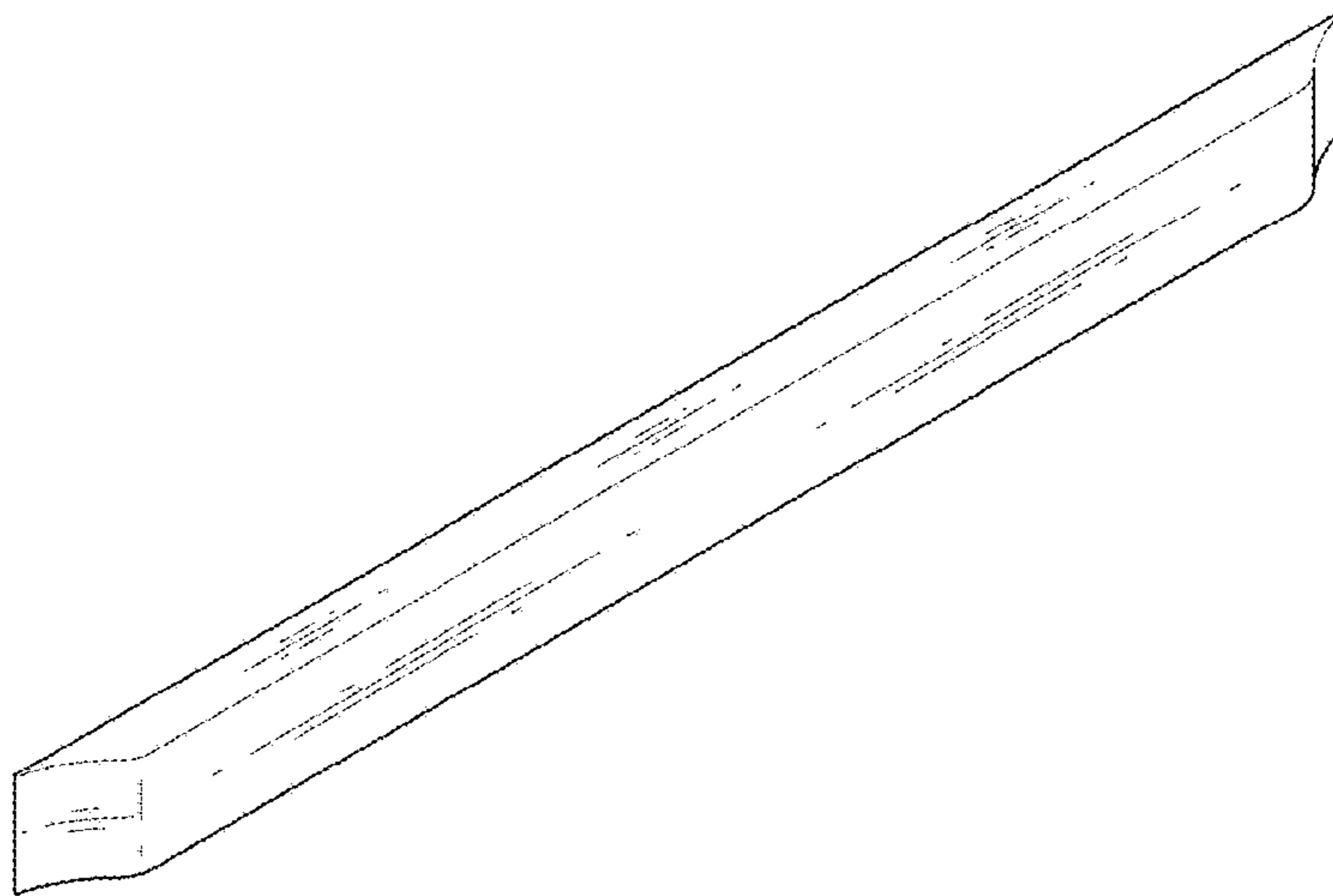


FIG. 2



FIG. 3

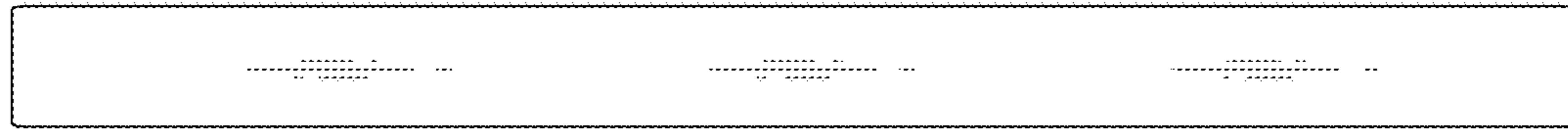


FIG. 4

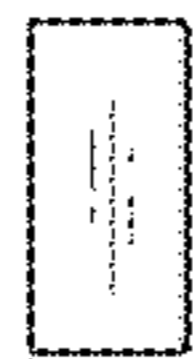


FIG. 5



FIG. 6

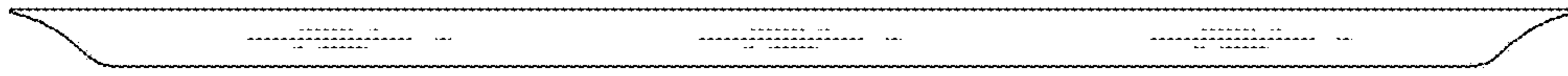


FIG. 7

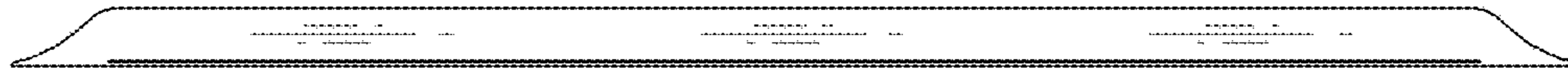


FIG. 8

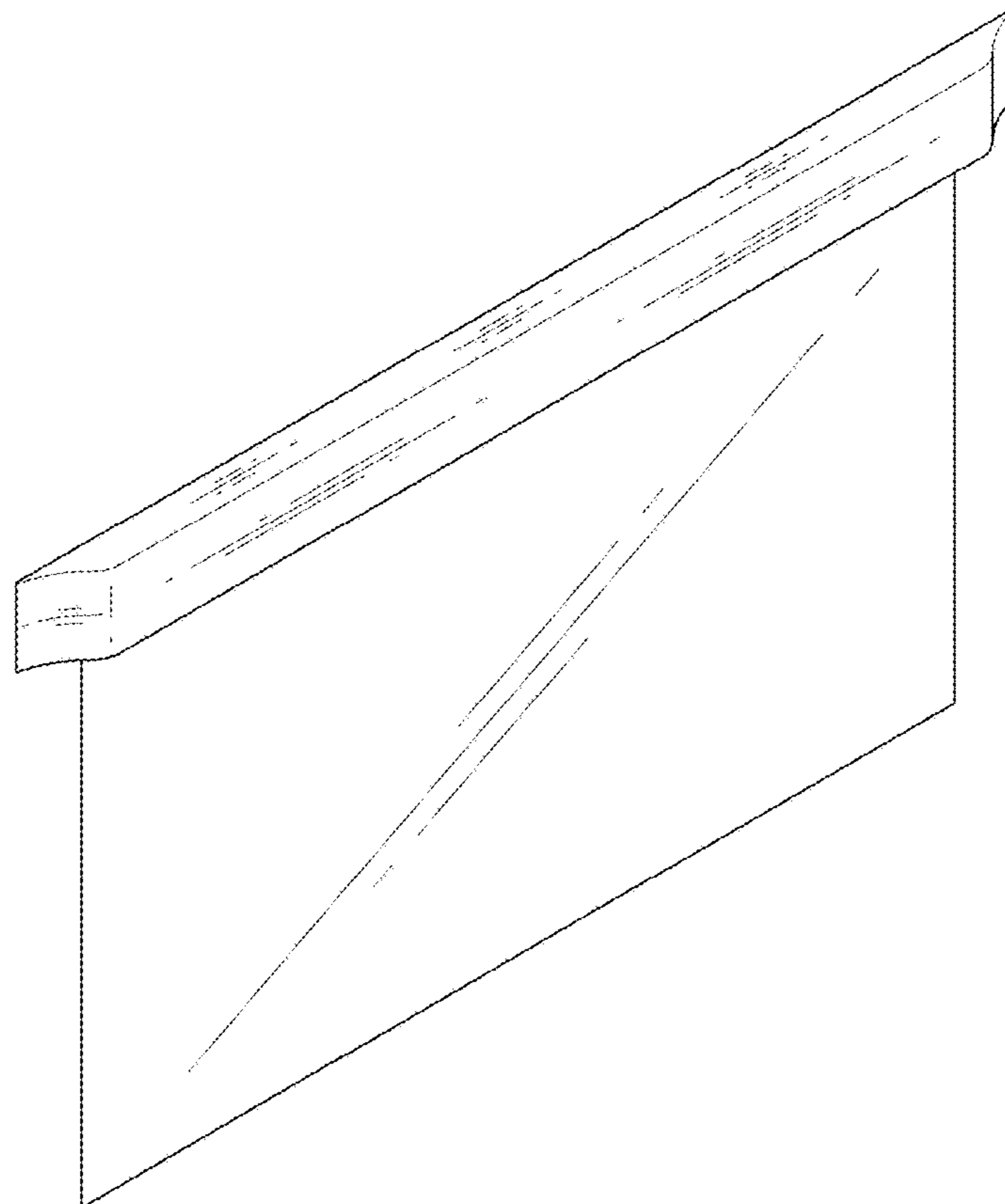


FIG. 9

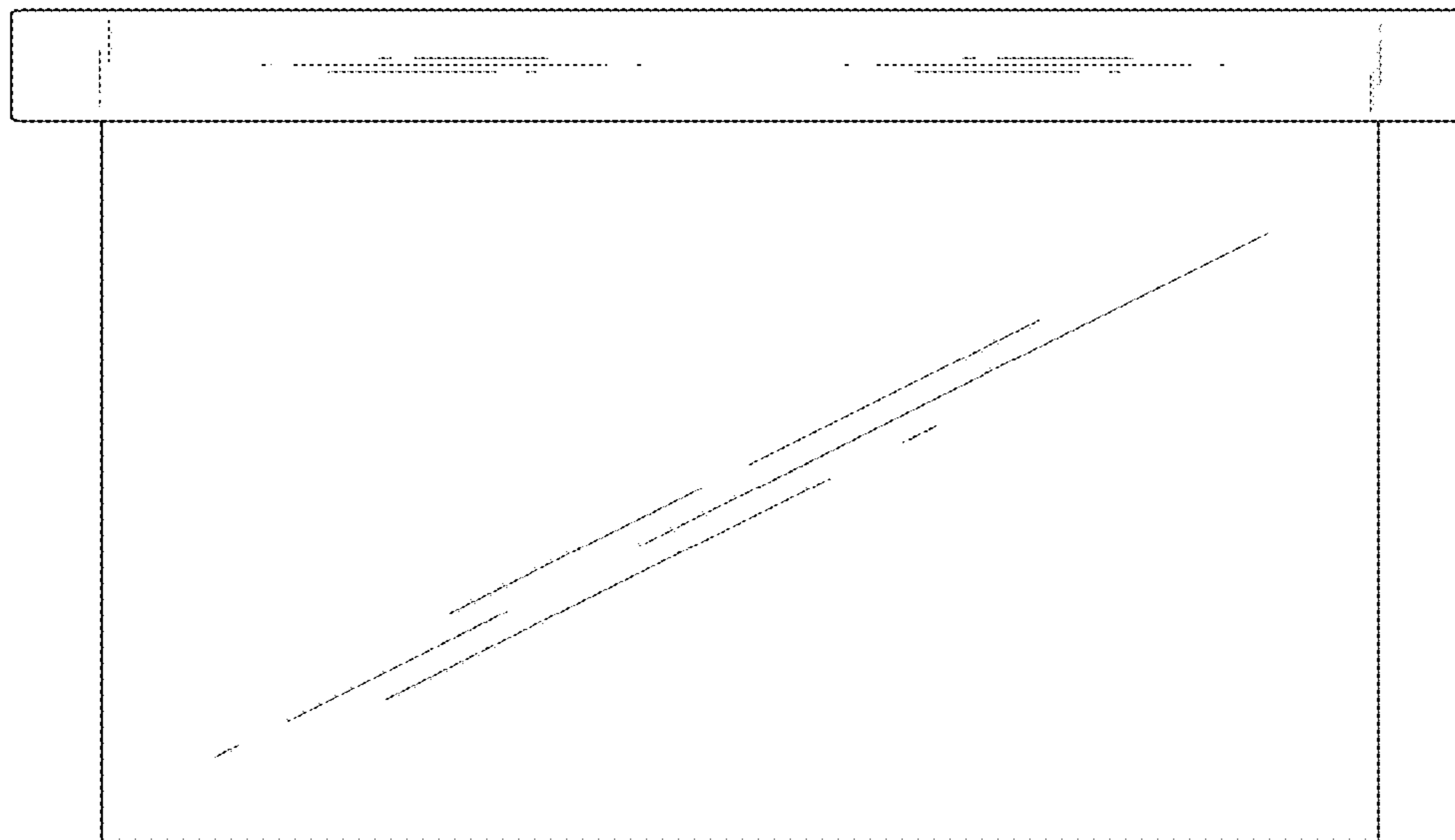


FIG. 10

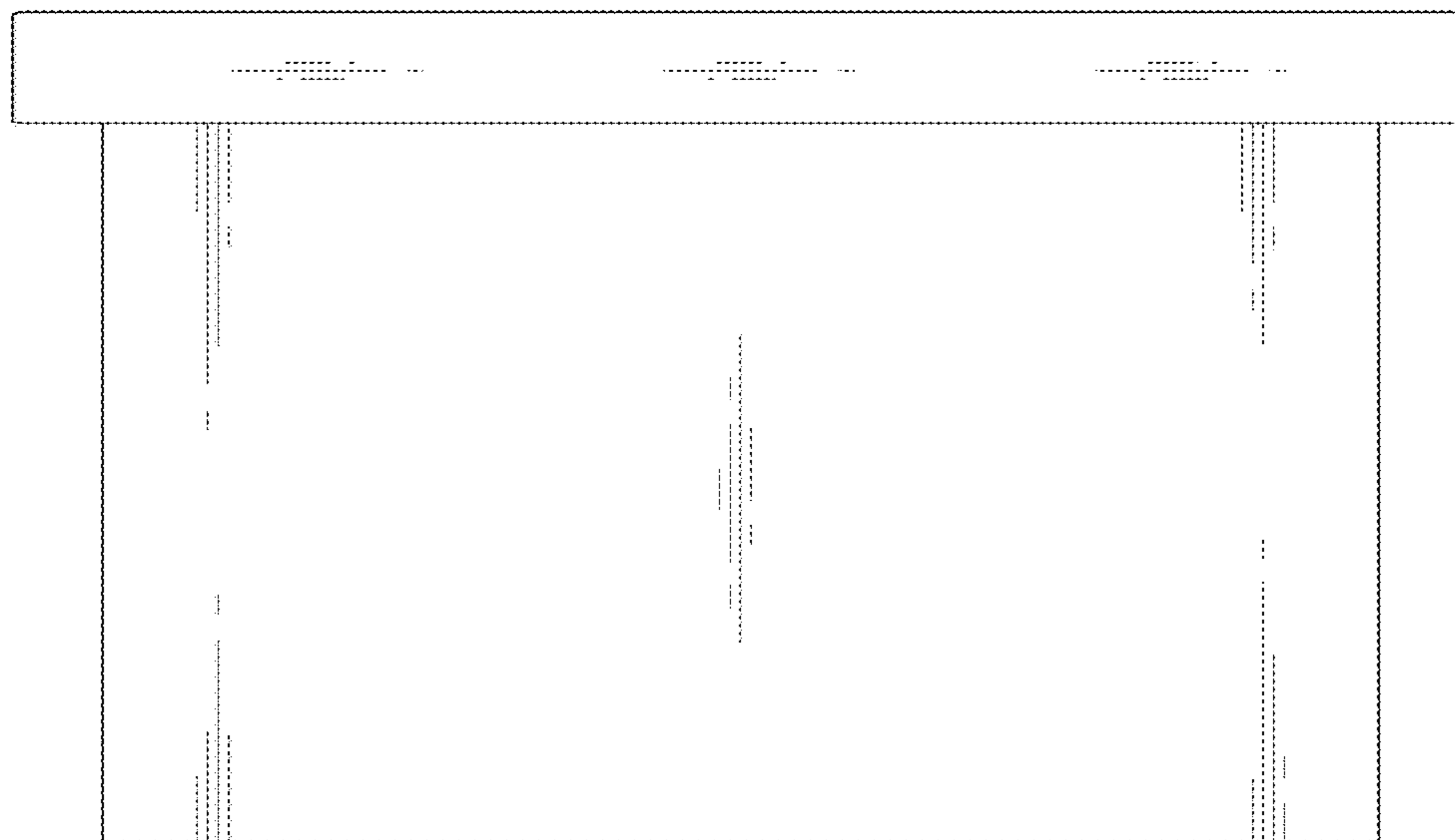


FIG. 11



FIG. 12



FIG. 13

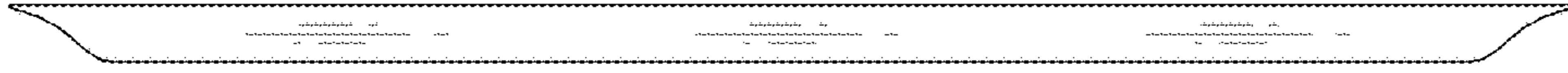


FIG. 14



FIG. 15

