



US00D778847S

(12) **United States Design Patent**
Song

(10) **Patent No.:** **US D778,847 S**

(45) **Date of Patent:** **** Feb. 14, 2017**

- (54) **LED COMPONENT**
 - (71) Applicant: **Kingbright Electronic Co., Ltd.**, New Taipei (TW)
 - (72) Inventor: **Wen-Joe Song**, New Taipei (TW)
 - (73) Assignee: **KINGBRIGHT ELECTRONICS CO. LTD.**, Taiwan (CN)
 - (**) Term: **14 Years**
 - (21) Appl. No.: **29/511,815**
 - (22) Filed: **Dec. 15, 2014**
 - (51) **LOC (10) Cl.** **13-03**
 - (52) **U.S. Cl.**
USPC **D13/180**
 - (58) **Field of Classification Search**
USPC D13/180; D26/1
CPC H01L 25/167; H01L 25/0753; H01L 27/0248; H01L 27/15; H01L 27/156; H01L 31/02; H01L 33/00; H01L 33/04; H01L 33/08; H01L 33/10; H01L 33/20; H01L 33/38; H01L 33/42; H01L 33/48; H01L 33/62; H01L 33/483; H01L 33/486; H01L 23/60; F21K 9/00; F21K 9/30; F21K 9/54
- See application file for complete search history.

(56) **References Cited**

U.S. PATENT DOCUMENTS

- 4,843,280 A * 6/1989 Lumbard G09F 9/33 257/E25.02
- 5,625,202 A * 4/1997 Chai H01L 33/007 257/103
- 6,657,238 B2 * 12/2003 Ueda H01L 33/38 257/100
- D514,074 S * 1/2006 Kamidoi D13/182
- D521,948 S * 5/2006 Inoue D13/180

- D576,571 S * 9/2008 Itai D13/180
- 7,491,977 B2 * 2/2009 Fukasawa H01L 33/60 257/81
- D601,977 S * 10/2009 Tsuchiya D13/180
- 7,696,522 B2 * 4/2010 Ono H01L 25/0753 257/88
- 7,781,888 B2 * 8/2010 Kobayakawa H01L 21/4828 257/690
- D653,628 S * 2/2012 Miyashita D13/180
- D653,629 S * 2/2012 Miyashita D13/180
- 8,242,514 B2 * 8/2012 Joung H01L 33/0095 257/79
- D676,002 S * 2/2013 Watanabe D13/180
- D694,201 S * 11/2013 Iino D13/180
- D710,811 S * 8/2014 Chen D13/180
- D719,535 S * 12/2014 Iino D13/180
- D724,039 S * 3/2015 Iino D13/180
- 9,136,228 B2 * 9/2015 Kato H01L 23/60

(Continued)

Primary Examiner — Selina Sikder

(74) *Attorney, Agent, or Firm* — Roger H. Chu

(57) **CLAIM**

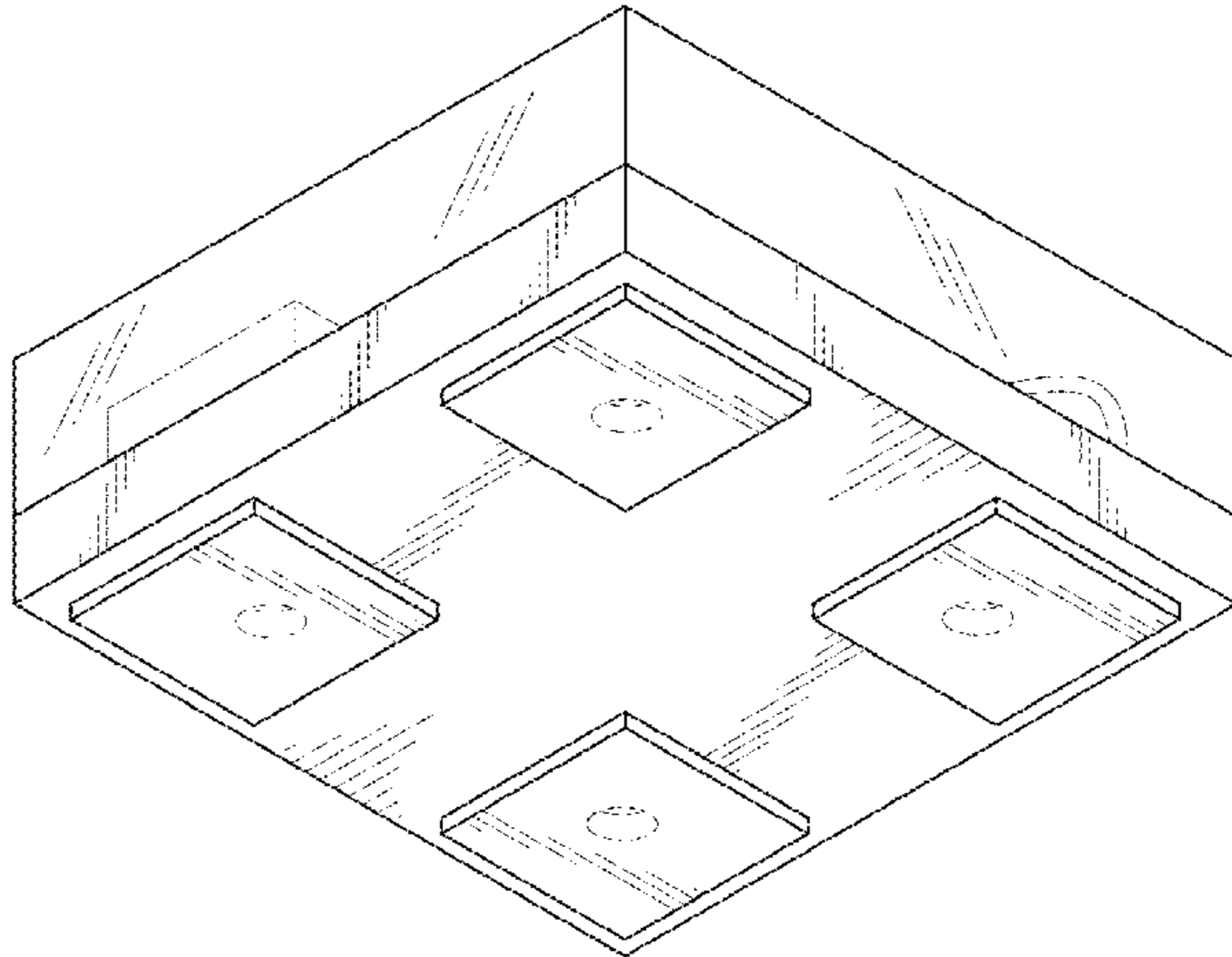
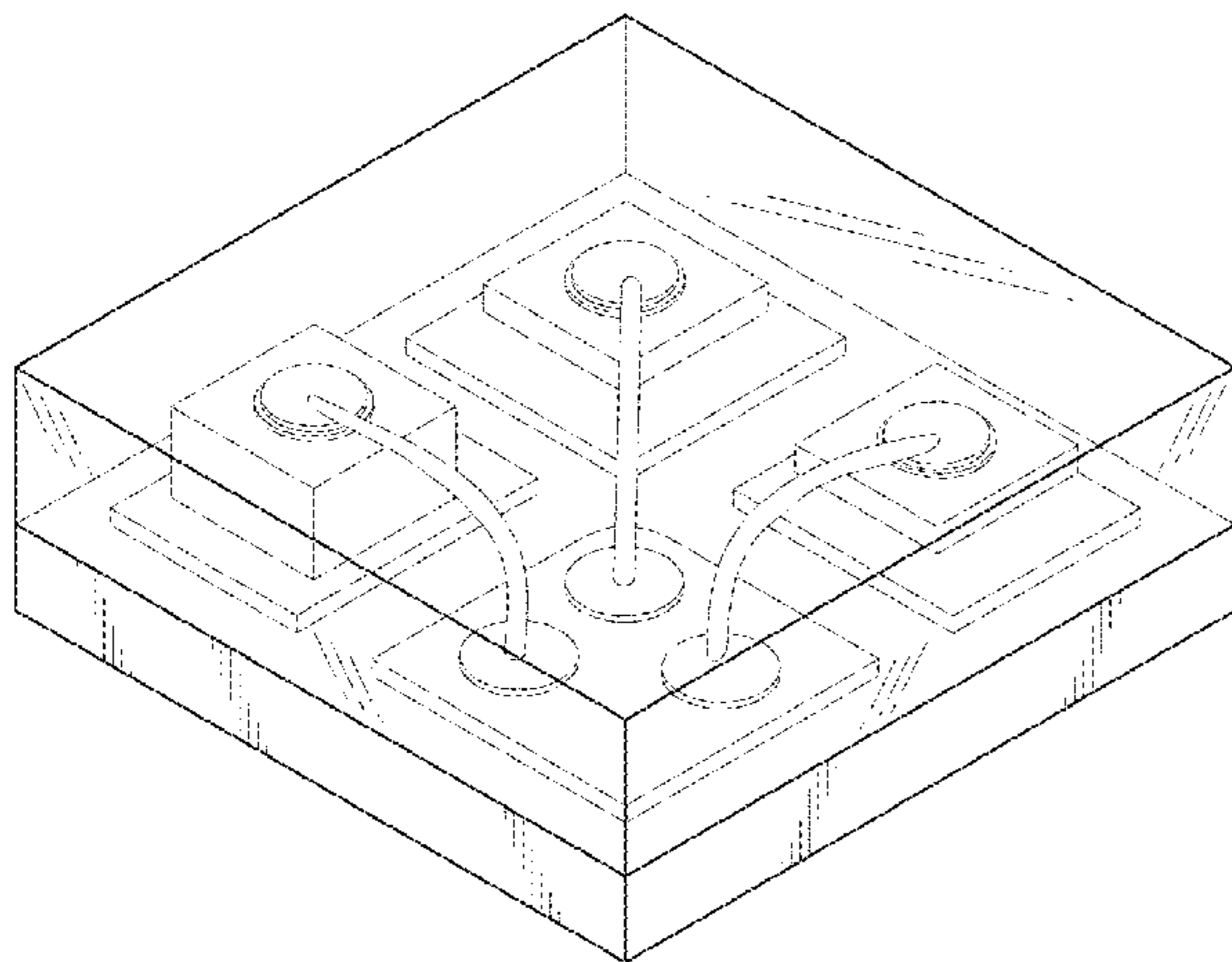
The ornamental design for an LED component, as shown and described.

DESCRIPTION

FIG. 1 is a top, front and left side perspective view of an LED component showing my design;
 FIG. 2 is a front elevation view thereof;
 FIG. 3 is a rear elevation view thereof
 FIG. 4 is a left side elevation view thereof
 FIG. 5 is a right side elevation view thereof;
 FIG. 6 is a top plan view thereof;
 FIG. 7 is a bottom plan view thereof; and,
 FIG. 8 is a bottom, front and right side perspective view thereof.

The broken lines shown in FIGS. 7 and 8 views are for illustrative purposes only and forms no part of the claimed design.

1 Claim, 6 Drawing Sheets



(56)

References Cited

U.S. PATENT DOCUMENTS

D742,554 S * 11/2015 Kanemaru D26/1
D744,965 S * 12/2015 Chen D13/180
9,230,719 B2 * 1/2016 Feichtinger H01C 7/041
2002/0123163 A1 * 9/2002 Fujii H01L 33/486
438/26
2004/0164395 A1 * 8/2004 Kobayakawa H01L 21/4828
257/690
2007/0075323 A1 * 4/2007 Kanazawa H01L 25/167
257/98
2007/0223170 A1 * 9/2007 Sato H01C 1/142
361/118
2008/0238604 A1 * 10/2008 Sato H01C 1/084
338/21
2011/0186870 A1 * 8/2011 Ying H01L 33/48
257/88
2013/0134472 A1 * 5/2013 Zhang H01L 33/38
257/99
2013/0240922 A1 * 9/2013 Yamamoto H01L 25/0753
257/89
2014/0061682 A1 * 3/2014 Kobayashi H01L 33/486
257/88
2014/0070249 A1 * 3/2014 Yoon H01L 33/62
257/98

* cited by examiner

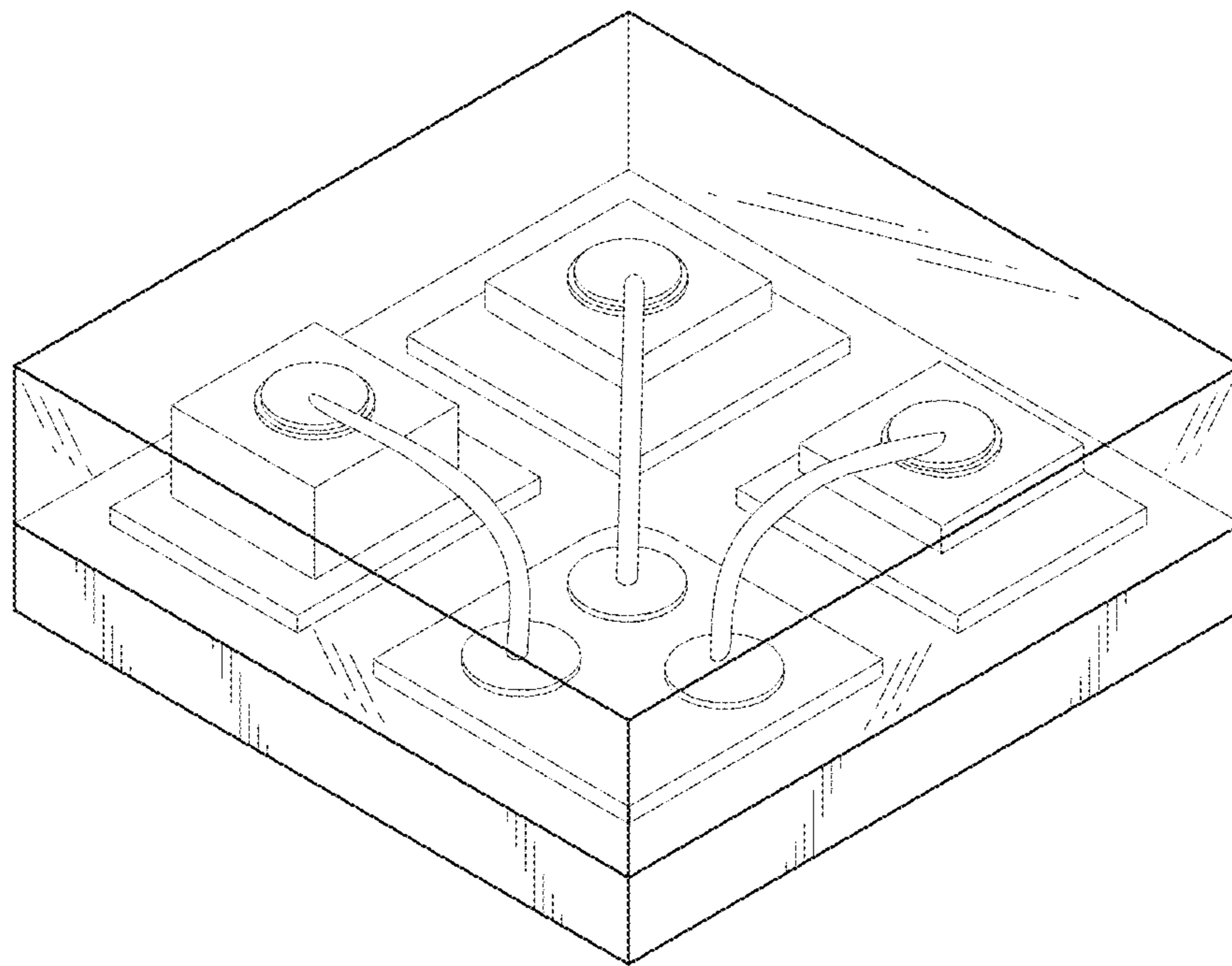


FIG. 1

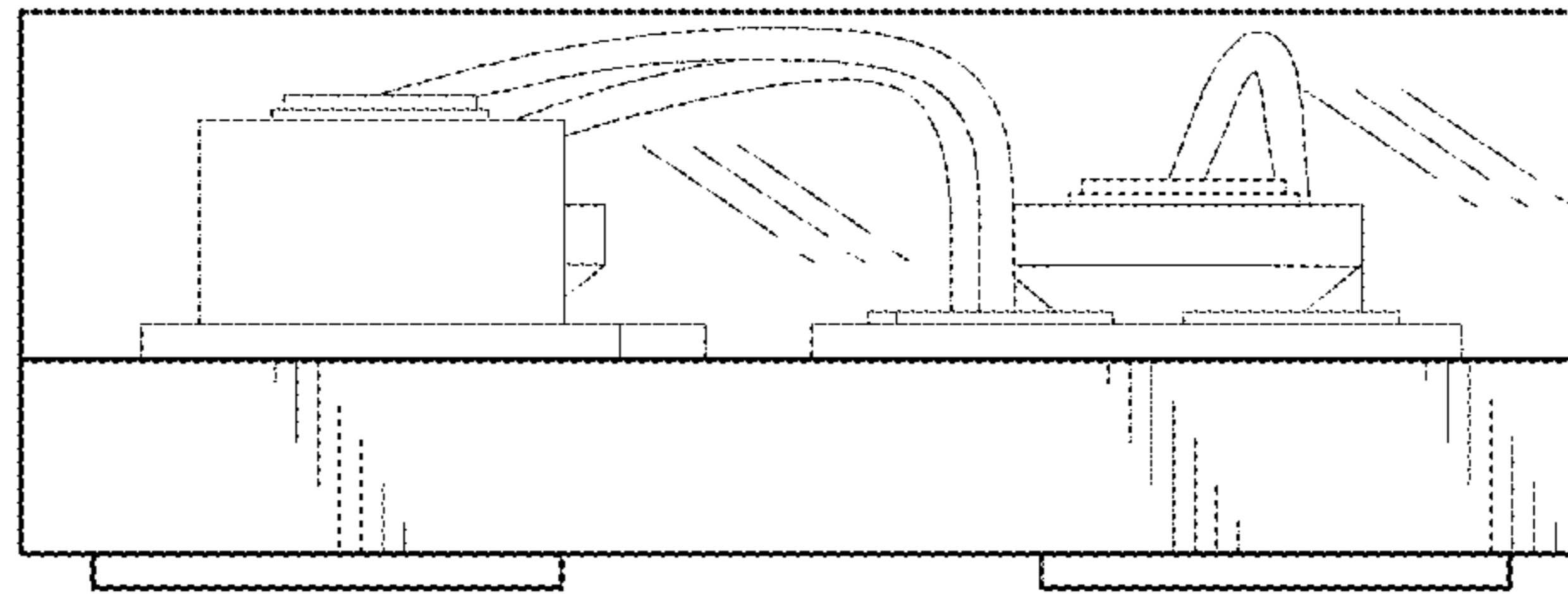


FIG. 2

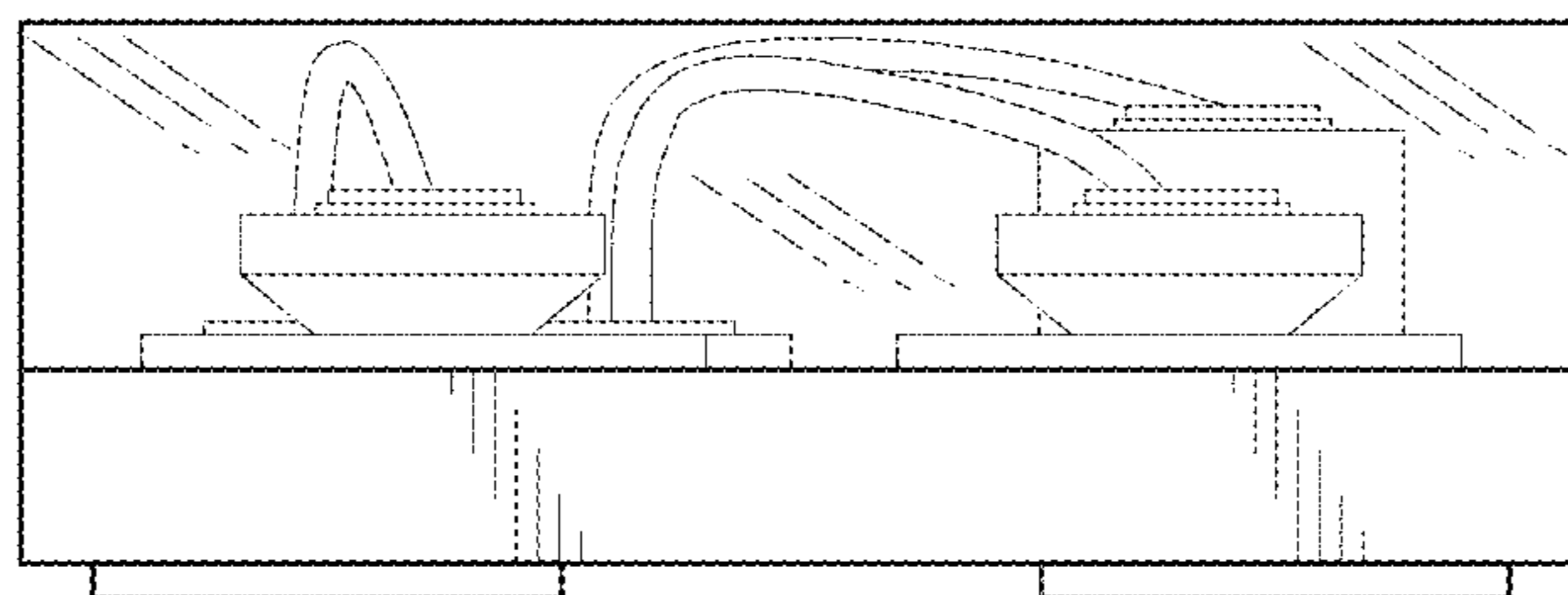


FIG. 3

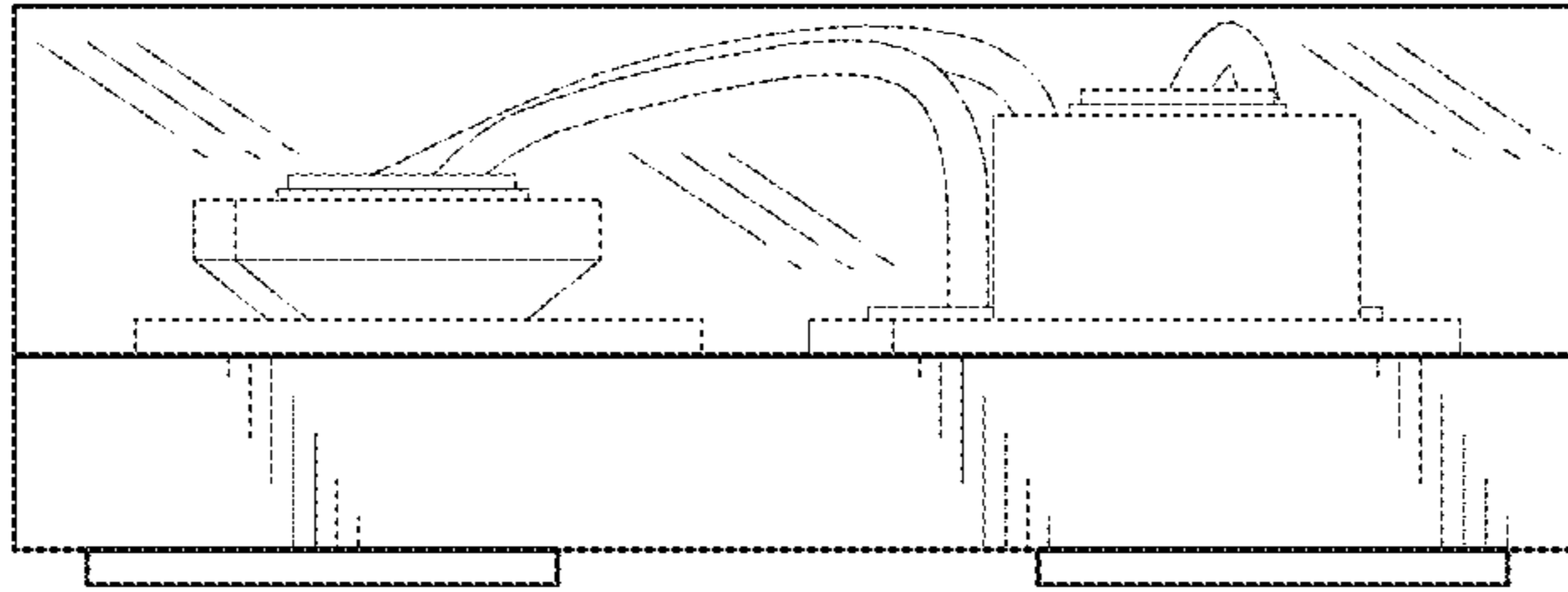


FIG. 4

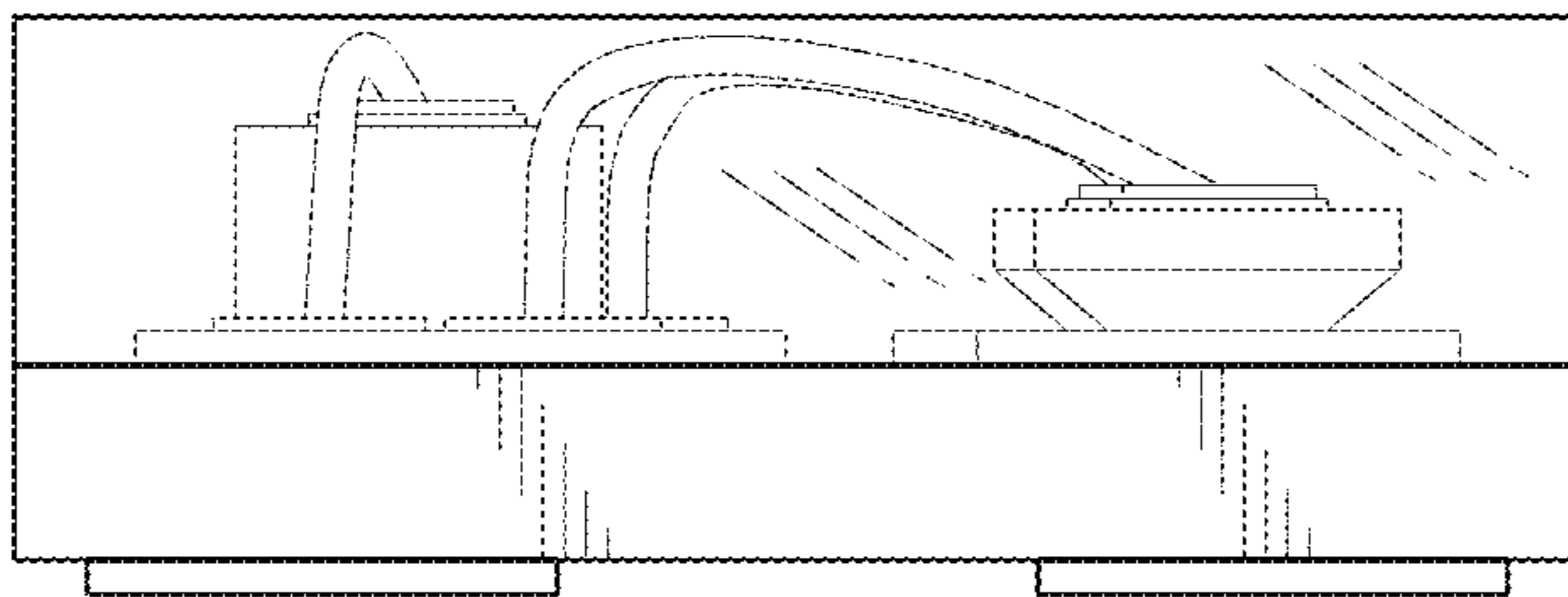


FIG. 5

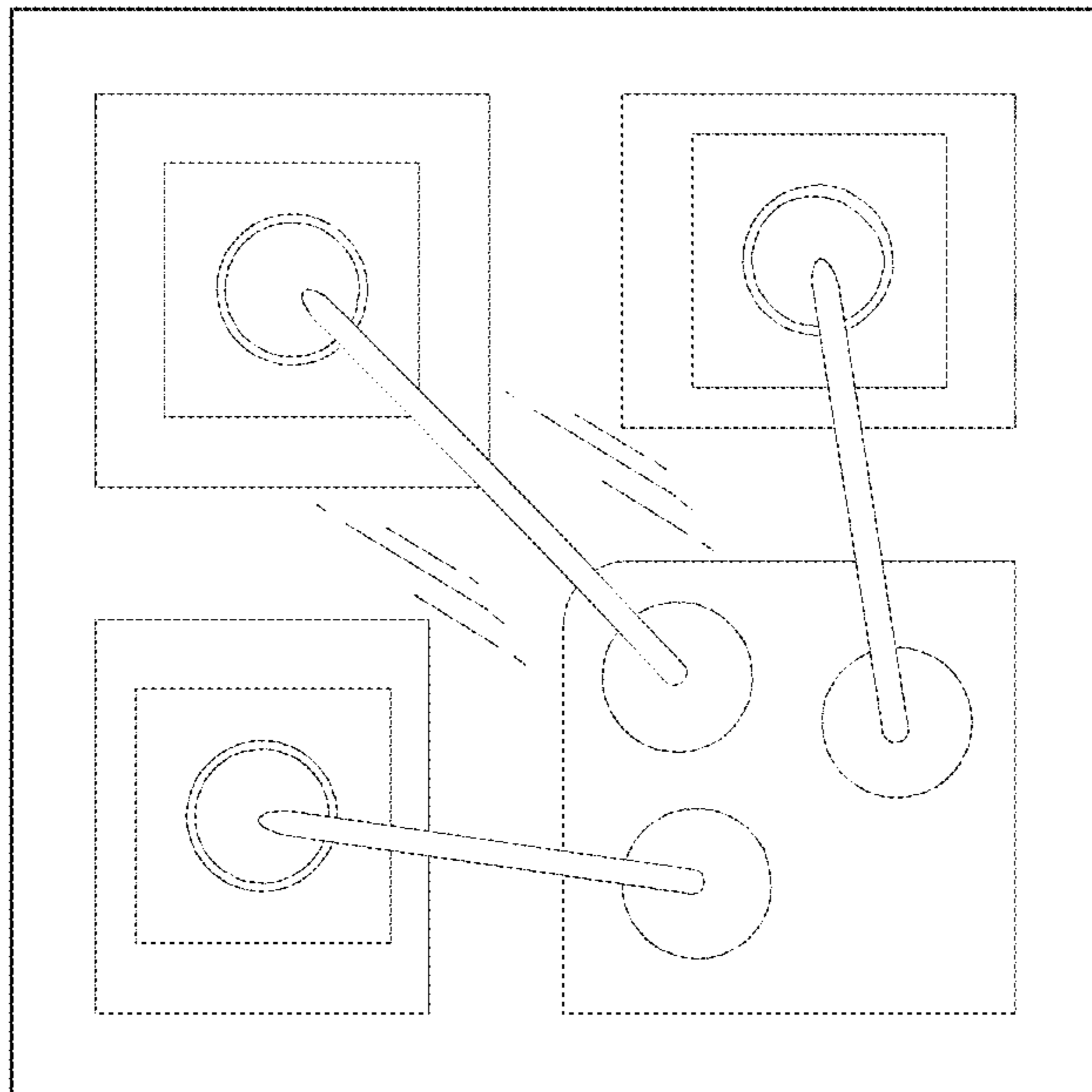


FIG. 6

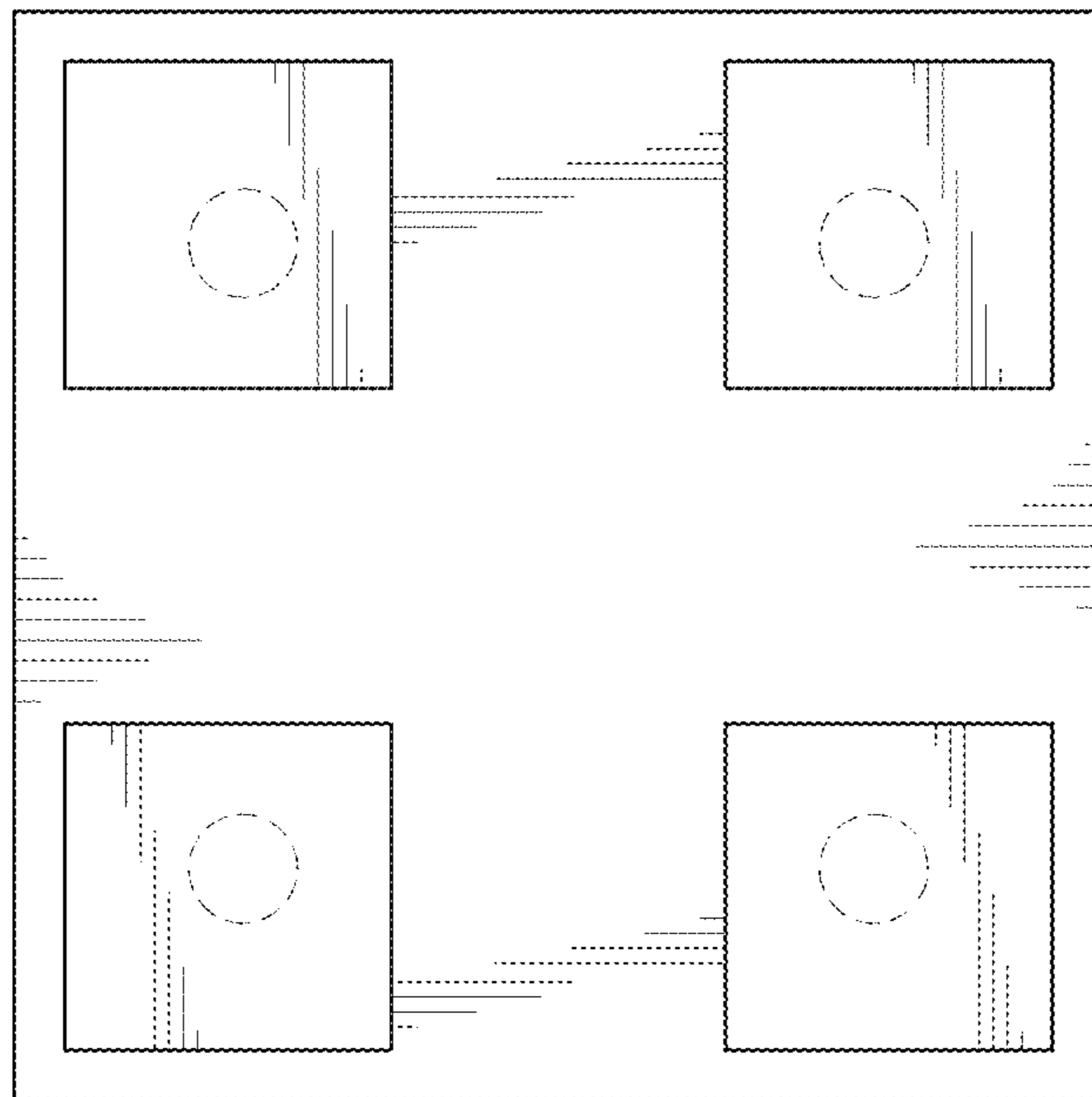


FIG. 7

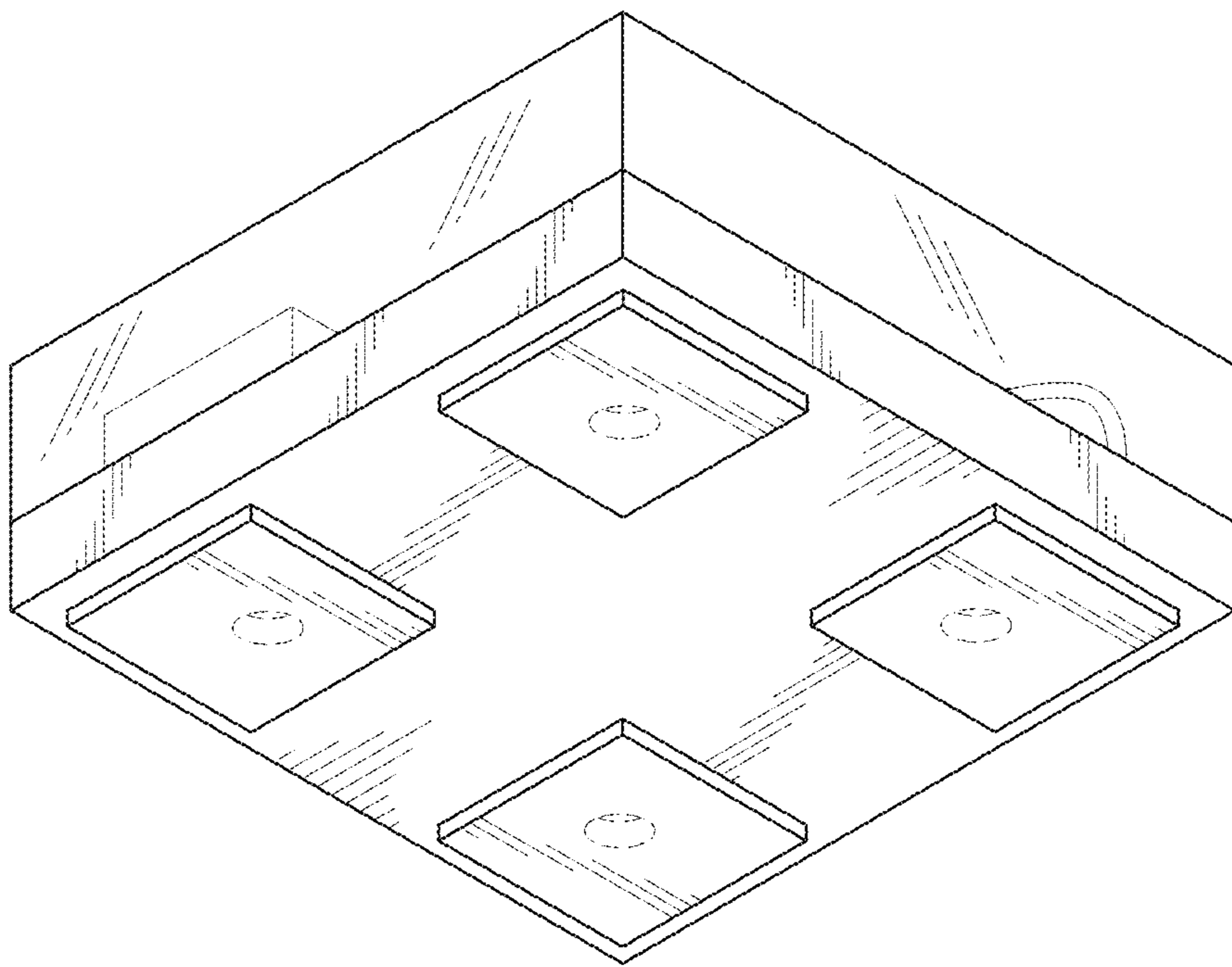


FIG. 8