



US00D778845S

(12) **United States Design Patent**  
**Font Gasulla**

(10) **Patent No.:** **US D778,845 S**

(45) **Date of Patent:** **\*\* Feb. 14, 2017**

(54) **SWITCH**  
(71) Applicant: **FONTINI, S.A.**, Santa Perpetua de Mogoda (ES)  
(72) Inventor: **Roger Font Gasulla**, Montgat (ES)  
(73) Assignee: **FONTINI, S.A.**, Santa Perpetua de Mogoda (ES)  
(\*\*) Term: **15 Years**  
(21) Appl. No.: **35/500,211**  
(22) Filed: **Sep. 22, 2015**  
(80) **Hague Agreement Data**  
Int. Filing Date: **Sep. 22, 2015**  
Int. Reg. No.: **DM/087766**  
Int. Reg. Date: **Sep. 22, 2015**  
Int. Reg. Pub. Date: **Oct. 23, 2015**

(30) **Foreign Application Priority Data**  
Mar. 23, 2015 (EM) ..... 002665331-0004  
(51) **LOC (10) Cl.** ..... **13-03**  
(52) **U.S. Cl.**  
USPC ..... **D13/169**  
(58) **Field of Classification Search**  
USPC ..... D8/301, 306-309, 315; D13/158, 162, D13/168-171, 173, 174, 177  
CPC ..... H01H 9/02; H01H 23/04; H01H 23/06; H01H 23/08; H01H 25/00; G05G 1/10; G05G 1/12  
See application file for complete search history.

(56) **References Cited**  
U.S. PATENT DOCUMENTS  
1,135,138 A \* 4/1915 Pratt ..... H01H 9/02 200/293  
RE14,483 E \* 6/1918 Thomas ..... D13/158

1,341,611 A \* 5/1920 Badeau ..... G05G 1/12 200/336  
1,604,859 A \* 10/1926 Thomas ..... G05G 1/12 200/329  
1,771,329 A \* 7/1930 Goodridge ..... G05G 1/12 403/376  
D266,084 S \* 9/1982 Colavecchio ..... D13/158  
4,519,581 A \* 5/1985 Paul ..... F16K 31/602 137/315.15  
D311,438 S \* 10/1990 Strignano ..... D23/242  
D317,495 S \* 6/1991 Kohler, Jr. .... D23/241  
D319,294 S \* 8/1991 Kohler, Jr. .... D23/254  
D335,811 S \* 5/1993 Bengtson ..... D23/250  
D418,116 S \* 12/1999 Matsuhashi ..... D13/171  
D440,638 S \* 4/2001 Lefroy-Brooks ..... D23/255  
D456,012 S \* 4/2002 Pratt ..... D13/171  
6,842,098 B2 \* 1/2005 Van Zeeland ..... H01H 36/00 335/205  
7,111,912 B1 \* 9/2006 Ticola ..... G05G 1/04 188/156  
D531,278 S \* 10/2006 Tsai ..... D23/254  
D580,522 S \* 11/2008 Zhang ..... D23/250

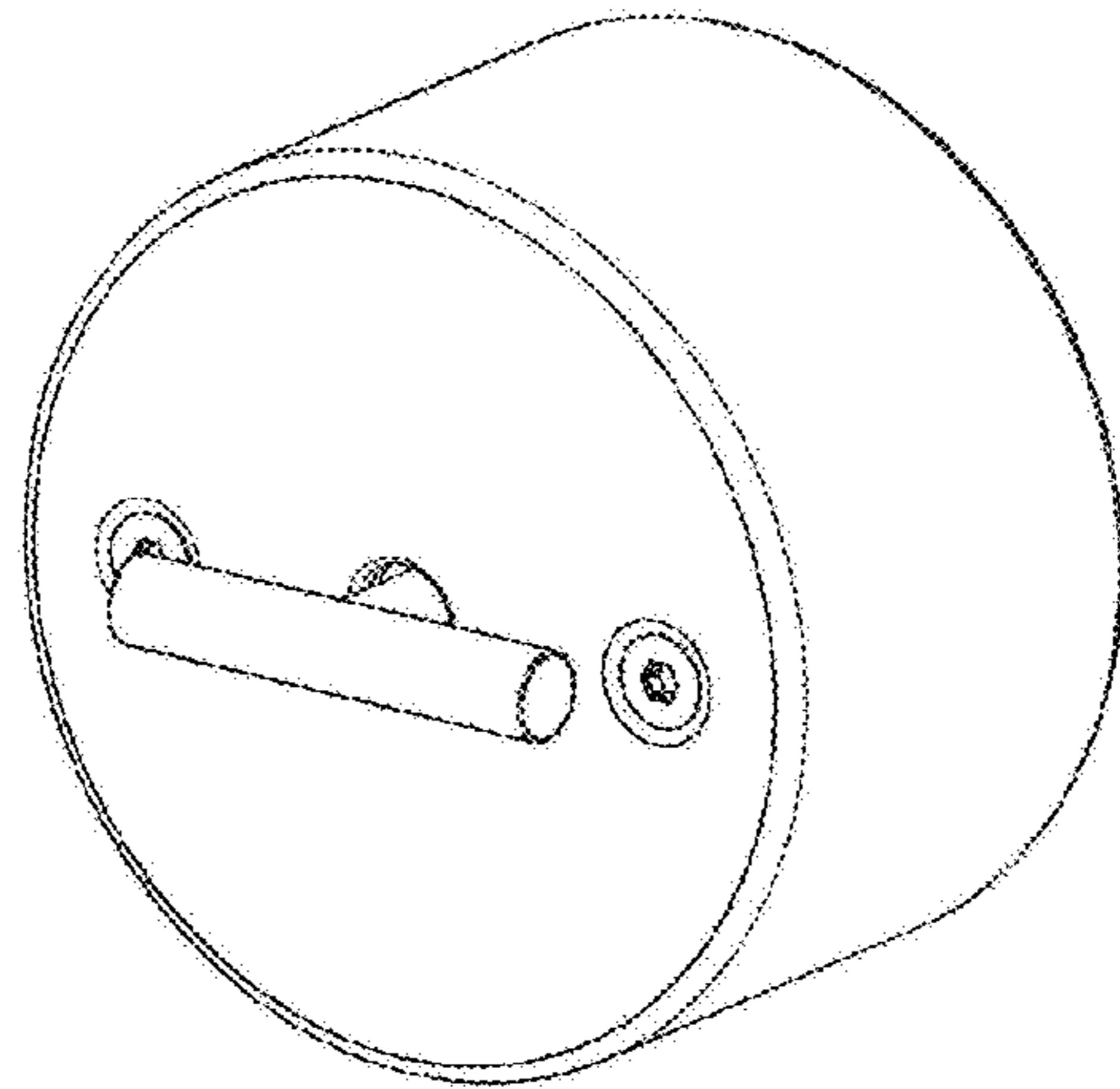
(Continued)

*Primary Examiner* — Elizabeth Albert  
(74) *Attorney, Agent, or Firm* — Knobbe Martens Olson & Bear LLP

(57) **CLAIM**  
Ornamental design for a switch, as shown and described.

**DESCRIPTION**  
FIG. 1.1 is a front perspective view of the switch showing my new design.  
FIG. 1.2 is a front elevational view thereof.  
FIG. 1.3 is a right side elevation view thereof. A left side elevational view is a mirror image thereof.  
FIG. 1.4 is a top plan view thereof. A bottom plan view is a mirror image thereof.  
The broken lines in FIGS. 1.2-1.4 represent environmental features that form no part of the claimed design.

**1 Claim, 4 Drawing Sheets**



(56)

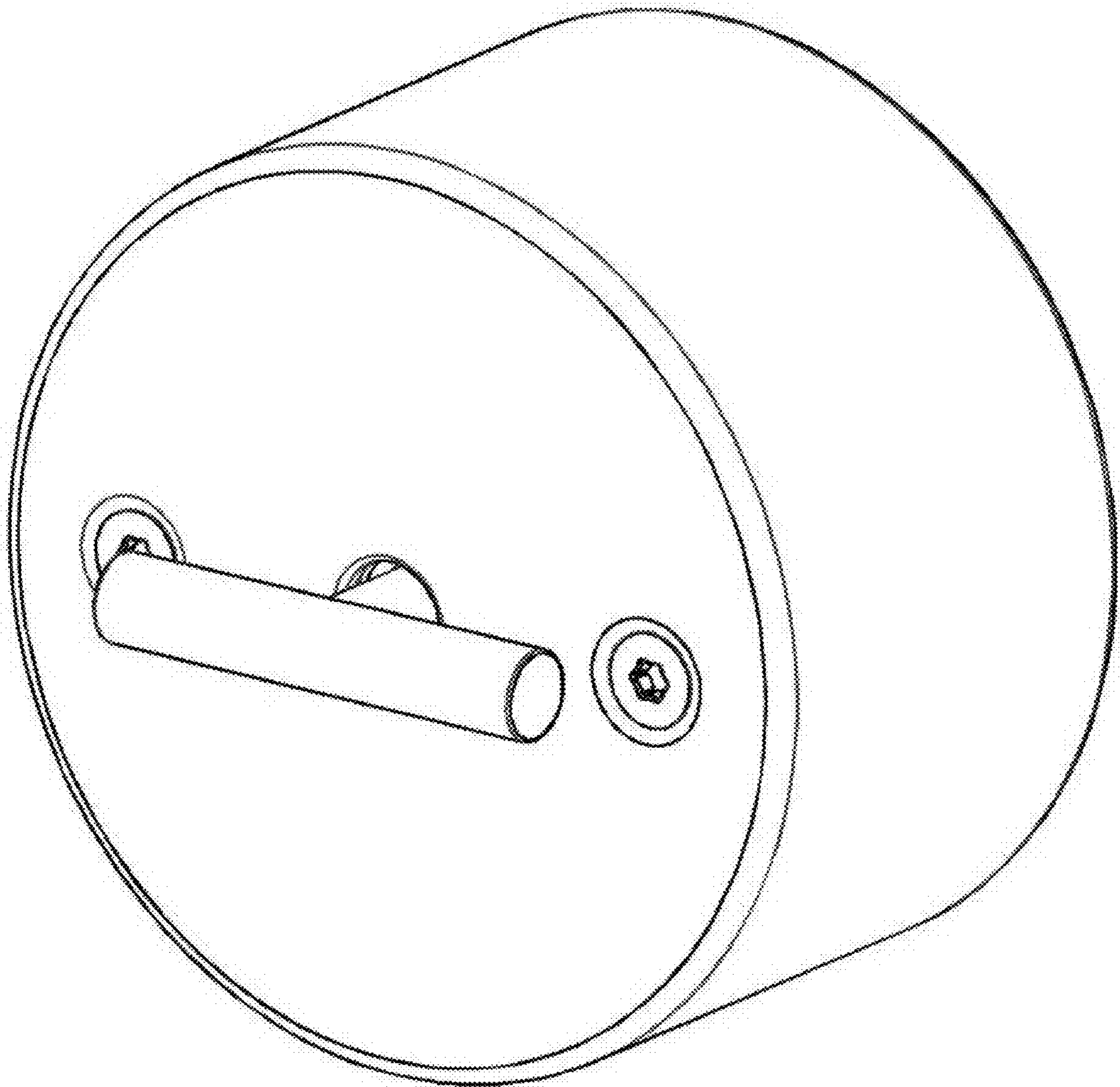
**References Cited**

U.S. PATENT DOCUMENTS

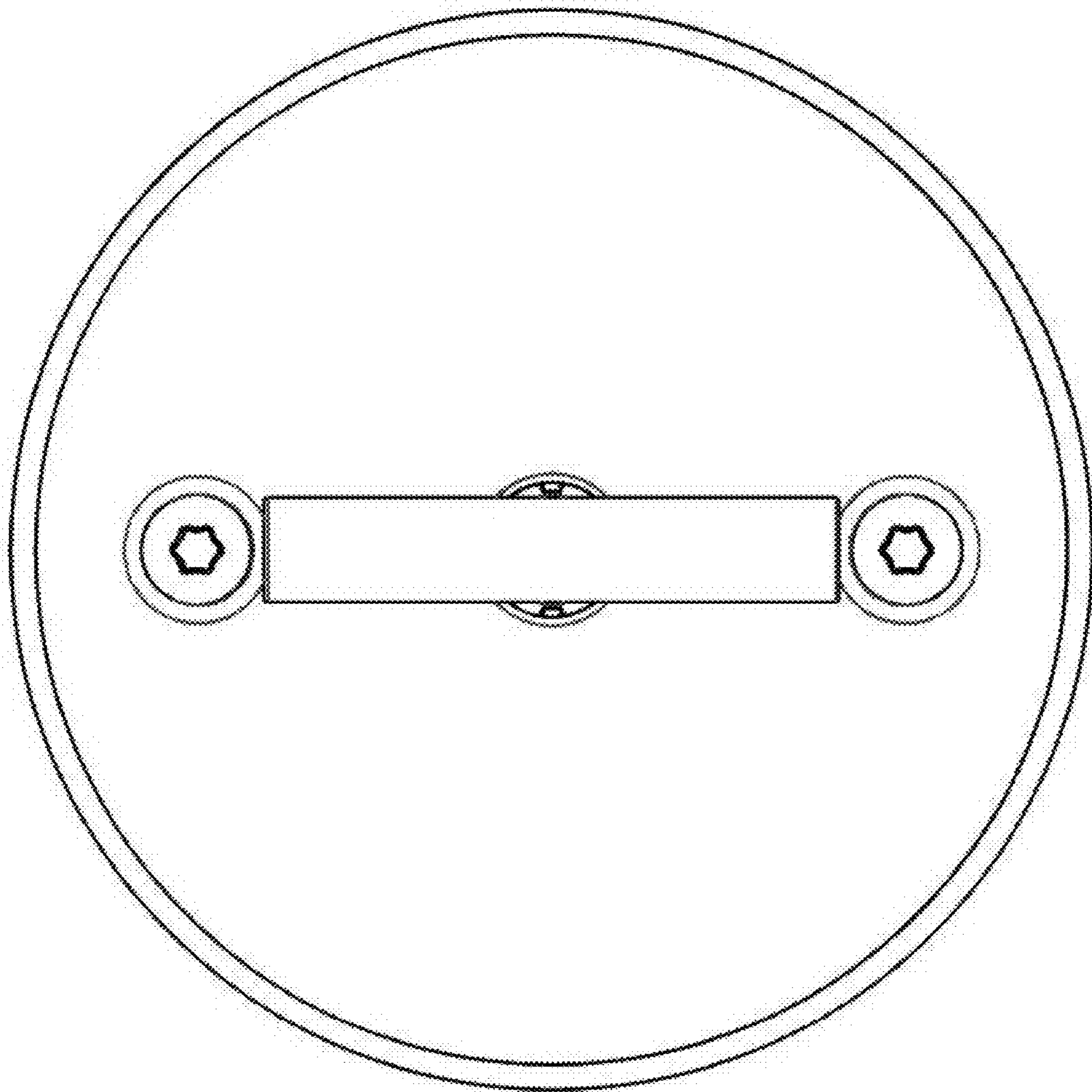
D610,098 S *	2/2010	Wu .....	D13/169
D627,441 S *	11/2010	Sedwick .....	D23/252
8,382,179 B2 *	2/2013	Hamilton .....	G05G 1/04 294/174
D720,305 S *	12/2014	Wenji .....	D13/174
D733,078 S *	6/2015	Wu .....	D13/171
D738,468 S *	9/2015	Bahler .....	D23/242
2004/0168606 A1 *	9/2004	Rosencrantz .....	G05G 1/04 105/396
2011/0232039 A1 *	9/2011	Hamilton .....	G05G 1/04 16/422

\* cited by examiner

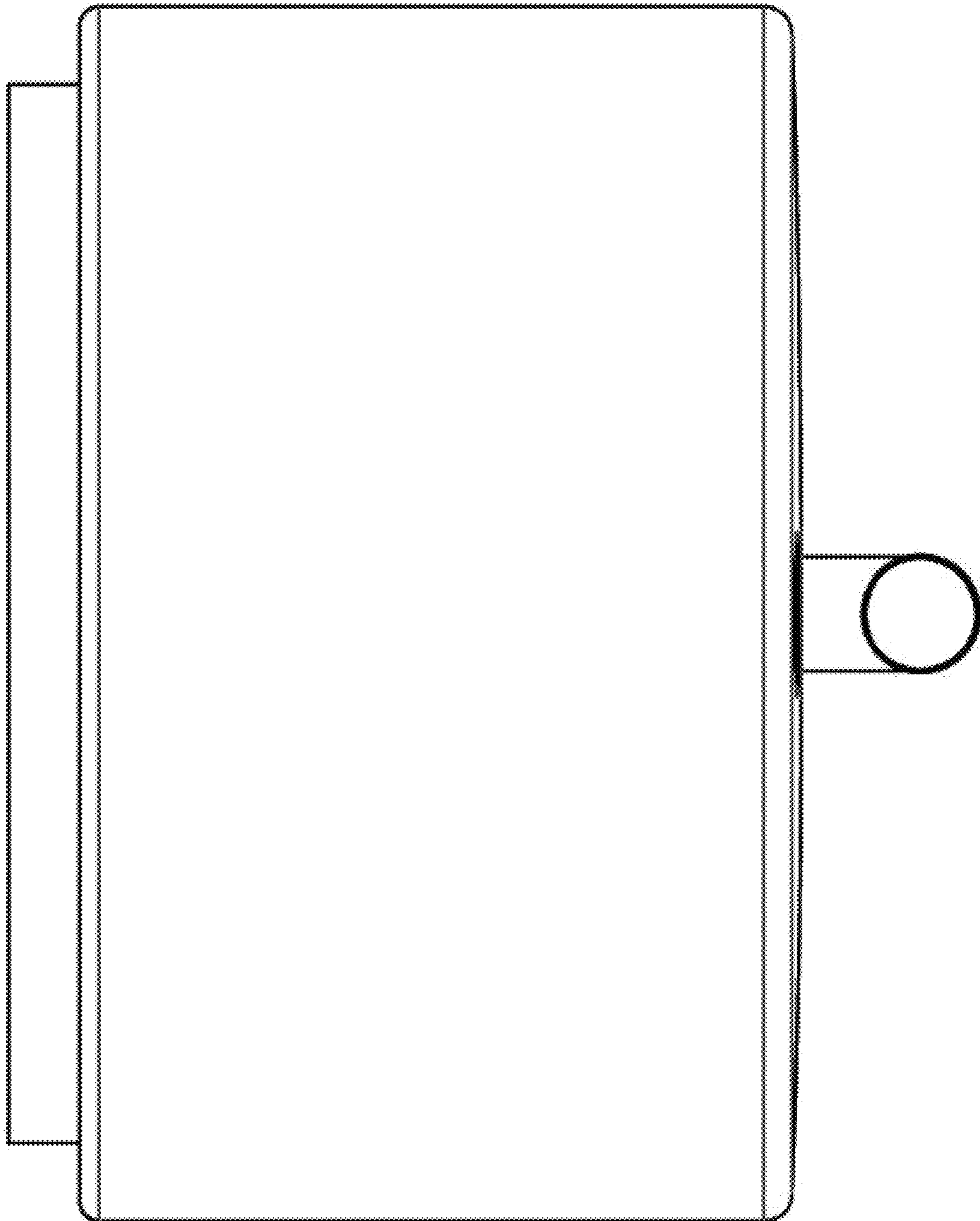
1.1



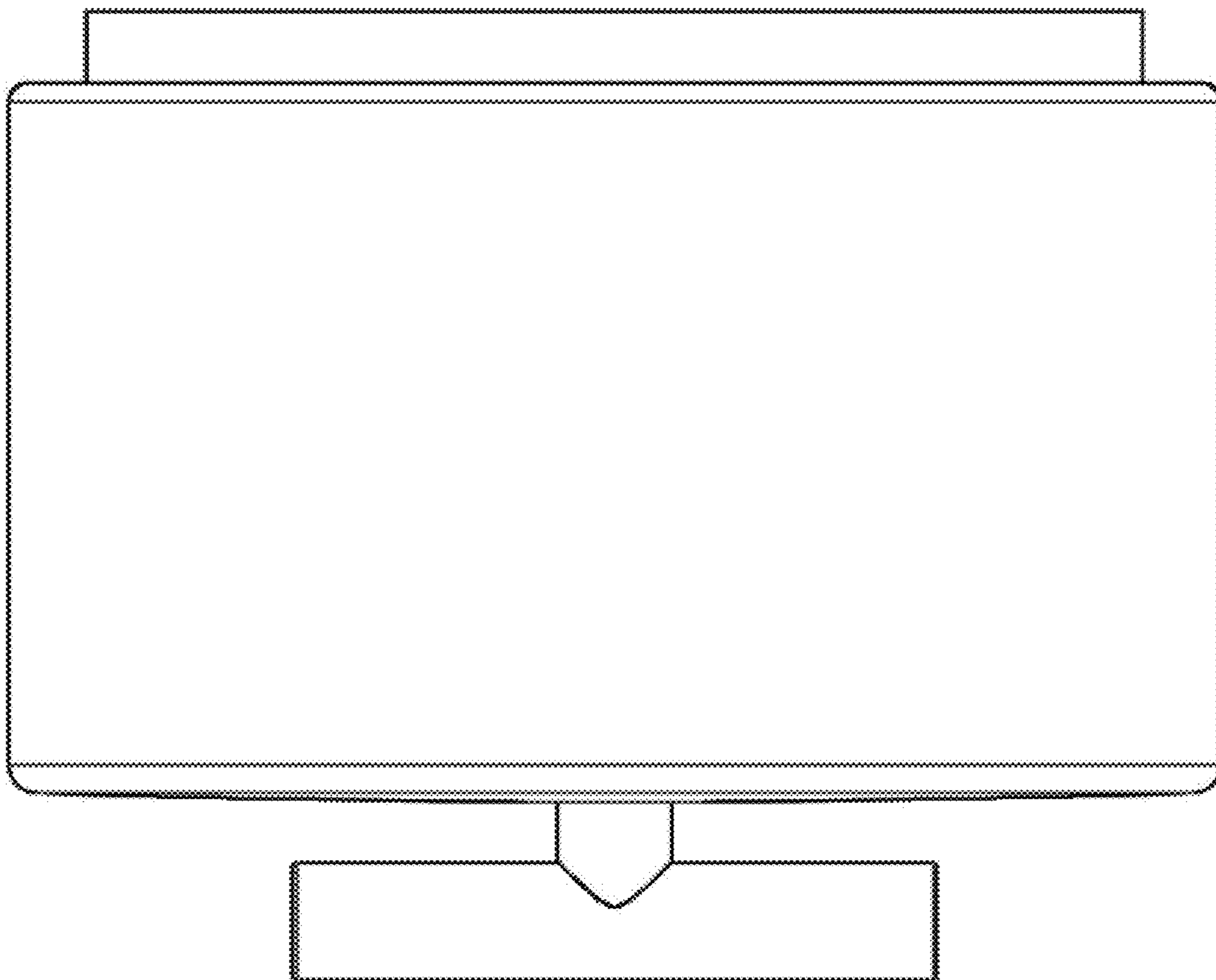
1.2



**1.3**



**1.4**



UNITED STATES PATENT AND TRADEMARK OFFICE  
**CERTIFICATE OF CORRECTION**

PATENT NO. : D778,845 S  
APPLICATION NO. : 35/500211  
DATED : February 14, 2017  
INVENTOR(S) : Roger Font Gasulla

Page 1 of 6

It is certified that error appears in the above-identified patent and that said Letters Patent is hereby corrected as shown below:

On the Title Page

Delete the title page and substitute therefore with the attached title page consisting of the corrected illustrative figure(s).

In the Drawings

Please replace FIGS. 1.1-1.4 with FIGS. 1.1-1.4 as shown on the attached pages.

Signed and Sealed this  
Seventeenth Day of October, 2017



Joseph Matal  
*Performing the Functions and Duties of the  
Under Secretary of Commerce for Intellectual Property and  
Director of the United States Patent and Trademark Office*

(12) **United States Design Patent** (10) **Patent No.:** **US D778,845 S**  
**Font Gasulla** (45) **Date of Patent:** **\*\* Feb. 14, 2017**

(54) **SWITCH**  
 (71) Applicant: **FONTINI, S.A., Santa Perpetua de Mugoça (ES)**  
 (72) Inventor: **Roger Font Gasulla, Monigat (ES)**  
 (73) Assignee: **FONTINI, S.A., Santa Perpetua de Mugoça (ES)**  
 (\*\*) Term: **15 Years**  
 (21) Appl. No.: **35/500,211**  
 (22) Filed: **Sep. 22, 2015**  
 (80) **Hague Agreement Data**  
 Int. Filing Date: **Sep. 22, 2015**  
 Int. Reg. No.: **DM/087766**  
 Int. Reg. Date: **Sep. 22, 2015**  
 Int. Reg. Ptb. Date: **Oct. 23, 2015**

(30) **Foreign Application Priority Data**  
 Mar. 23, 2015 (EM) ..... 002665331-0004  
 (51) **LOC (10) (3)** ..... 13-03  
 (52) **U.S. CL**  
 USPC ..... **D13/169**  
 (58) **Field of Classification Search**  
 USPC ..... D8/301, 306-309, 315; D13/158, 162, D13/168-171, 173, 174, 177  
 CPC ..... 110111 9/02; 110111 23/04; 110111 23/06; 110111 23/08; 110111 25/00; G05G 1/10; G05G 1/12  
 See application file for complete search history.

(56) **References Cited**  
 U.S. PATENT DOCUMENTS  
 1,135,138 A \* 4/1915 Pratt ..... H13/119/02 200/293  
 RE14,483 E \* 6/1918 Thomas ..... D13/158

1,341,611 A \* 5/1920 Radcan ..... G05G 1/12 200/336  
 1,609,859 A \* 10/1926 Thomas ..... G05G 1/12 200/329  
 1,771,329 A \* 7/1930 Goodridge ..... G05G 1/12 403/376  
 D266,084 S \* 9/1982 Colavecchio ..... D13/158  
 4,519,581 A \* 5/1985 Paul ..... F16K 31/602 137/315.15  
 D311,438 S \* 10/1990 Strignano ..... D23/242  
 D317,495 S \* 6/1991 Kohler, Jr. .... D23/241  
 D319,294 S \* 8/1991 Kohler, Jr. .... D23/254  
 D335,811 S \* 5/1993 Bengtson ..... D23/250  
 D418,116 S \* 12/1999 Matsushita ..... D13/171  
 D440,638 S \* 4/2001 Lefroy-Brooks ..... D23/255  
 D456,012 S \* 4/2002 Pratt ..... D13/171  
 6,842,098 B2 \* 1/2005 Van Zeeland ..... B01H 36/40 335/205  
 7,111,912 B1 \* 9/2006 Ticola ..... G05G 1/04 188/156  
 D531,278 S \* 10/2006 Tsai ..... D23/254  
 D580,522 S \* 11/2008 Zhang ..... D23/250

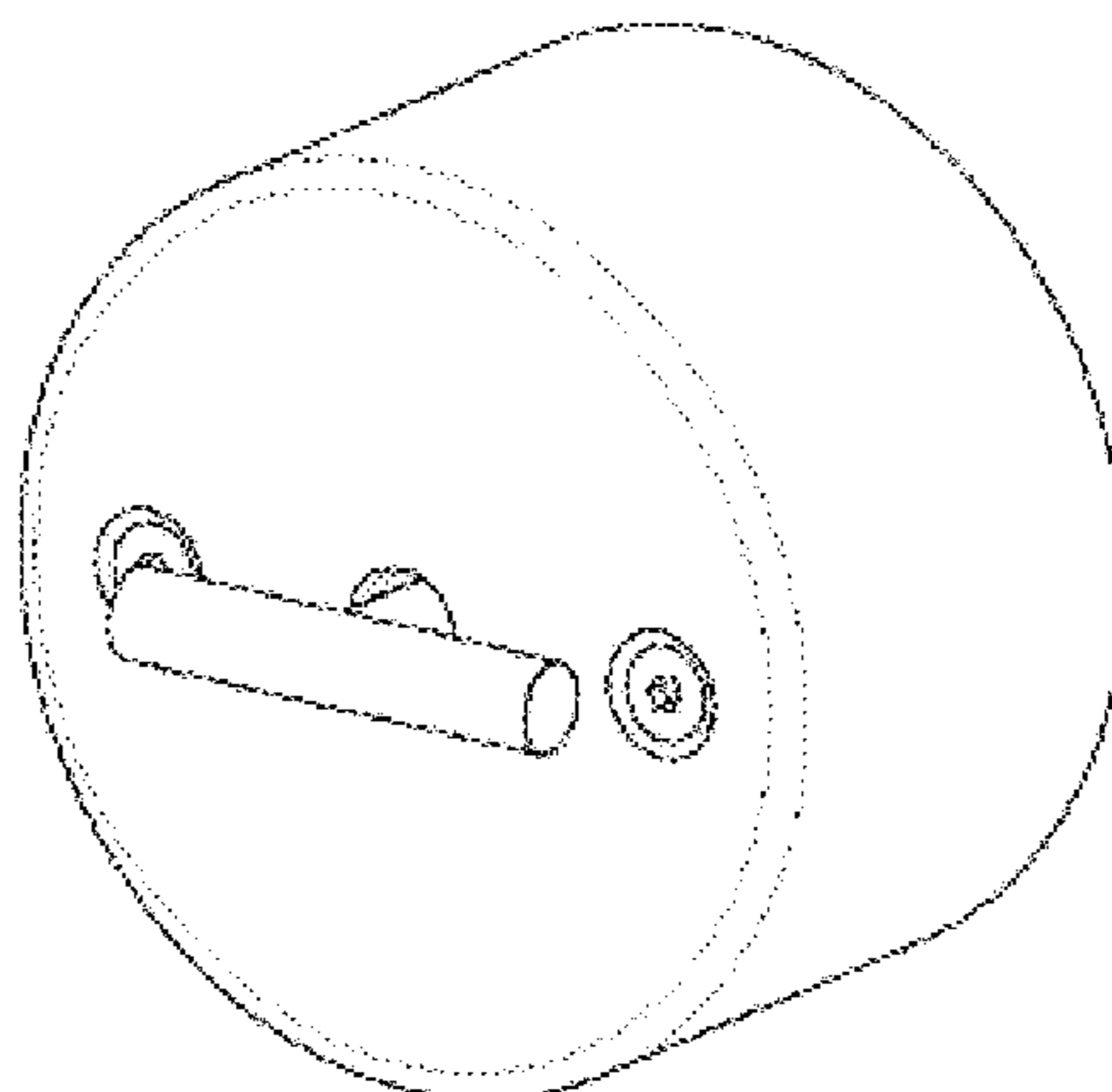
(Continued)

Primary Examiner: Elizabeth Albert  
 (74) Attorney, Agent, or Firm: Knobbe Martens Olson & Bear LLP

(57) **CLAIM**  
 Ornamental design for a switch, as shown and described.

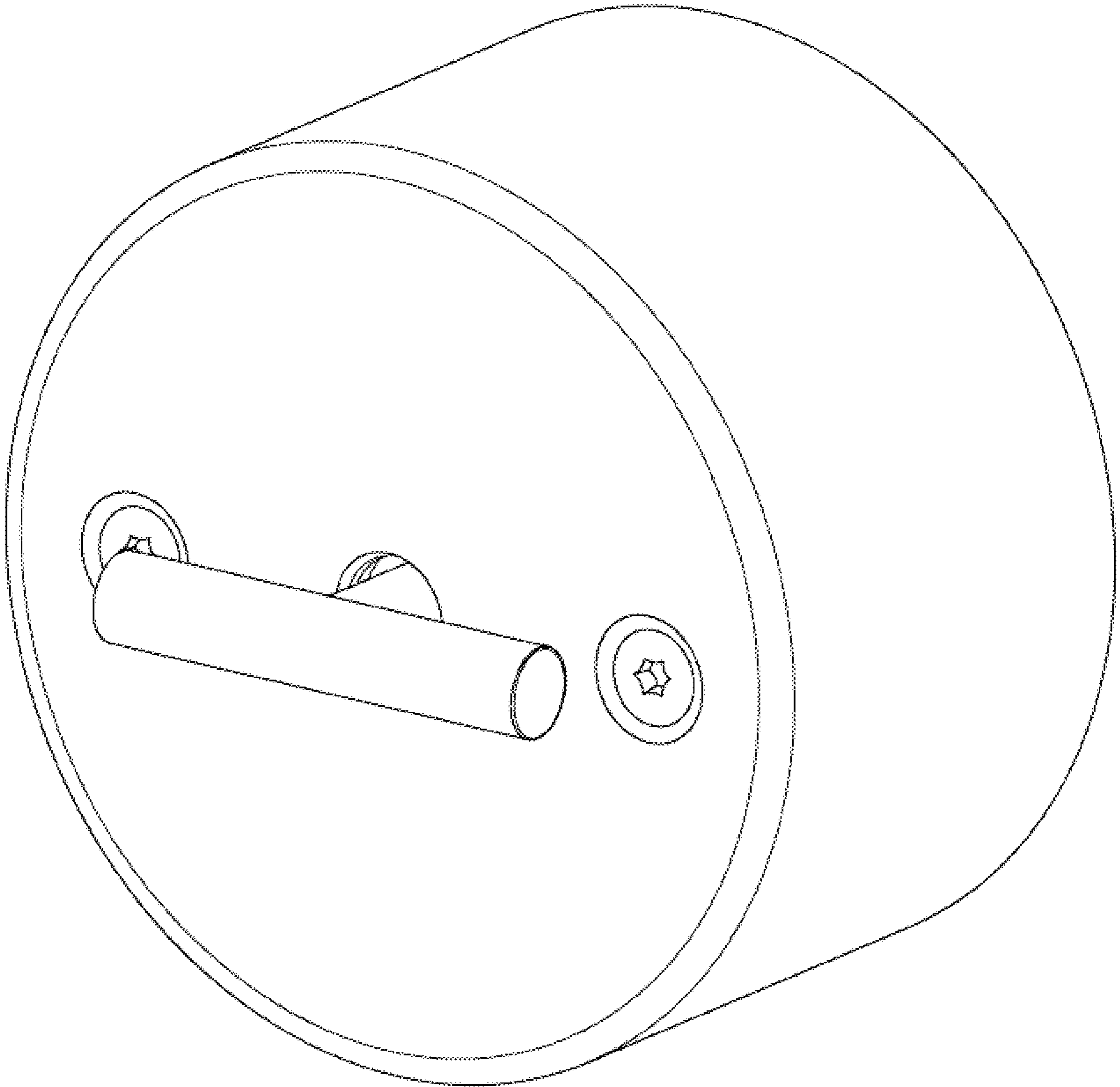
**DESCRIPTION**  
 FIG. 1.1 is a front perspective view of the switch showing my new design.  
 FIG. 1.2 is a front elevational view thereof.  
 FIG. 1.3 is a right side elevation view thereof. A left side elevational view is a mirror image thereof.  
 FIG. 1.4 is a top plan view thereof. A bottom plan view is a mirror image thereof.  
 The broken lines in FIGS. 1.2-1.4 represent environmental features that form no part of the claimed design.

**1 Claim, 4 Drawing Sheets**

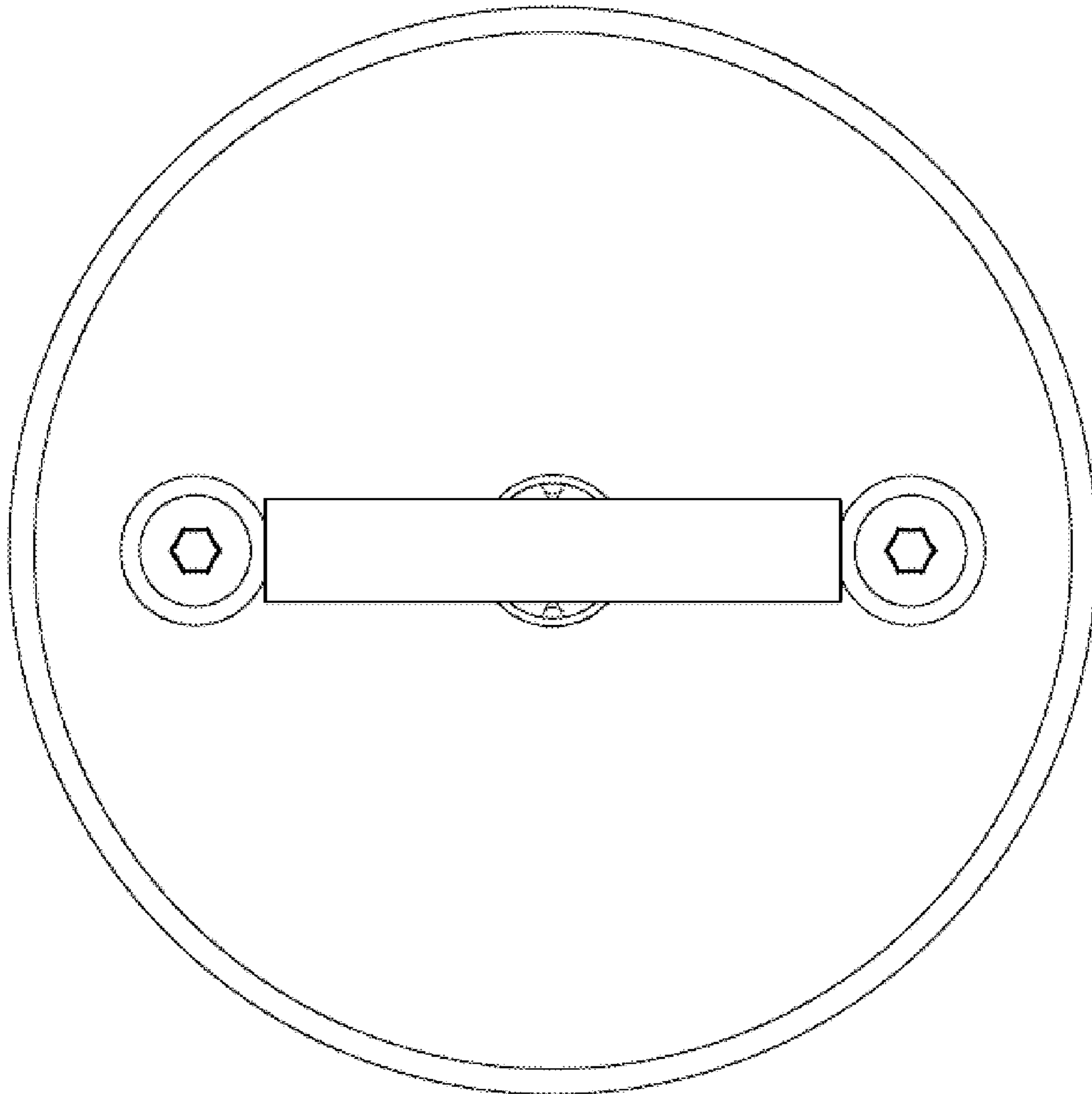




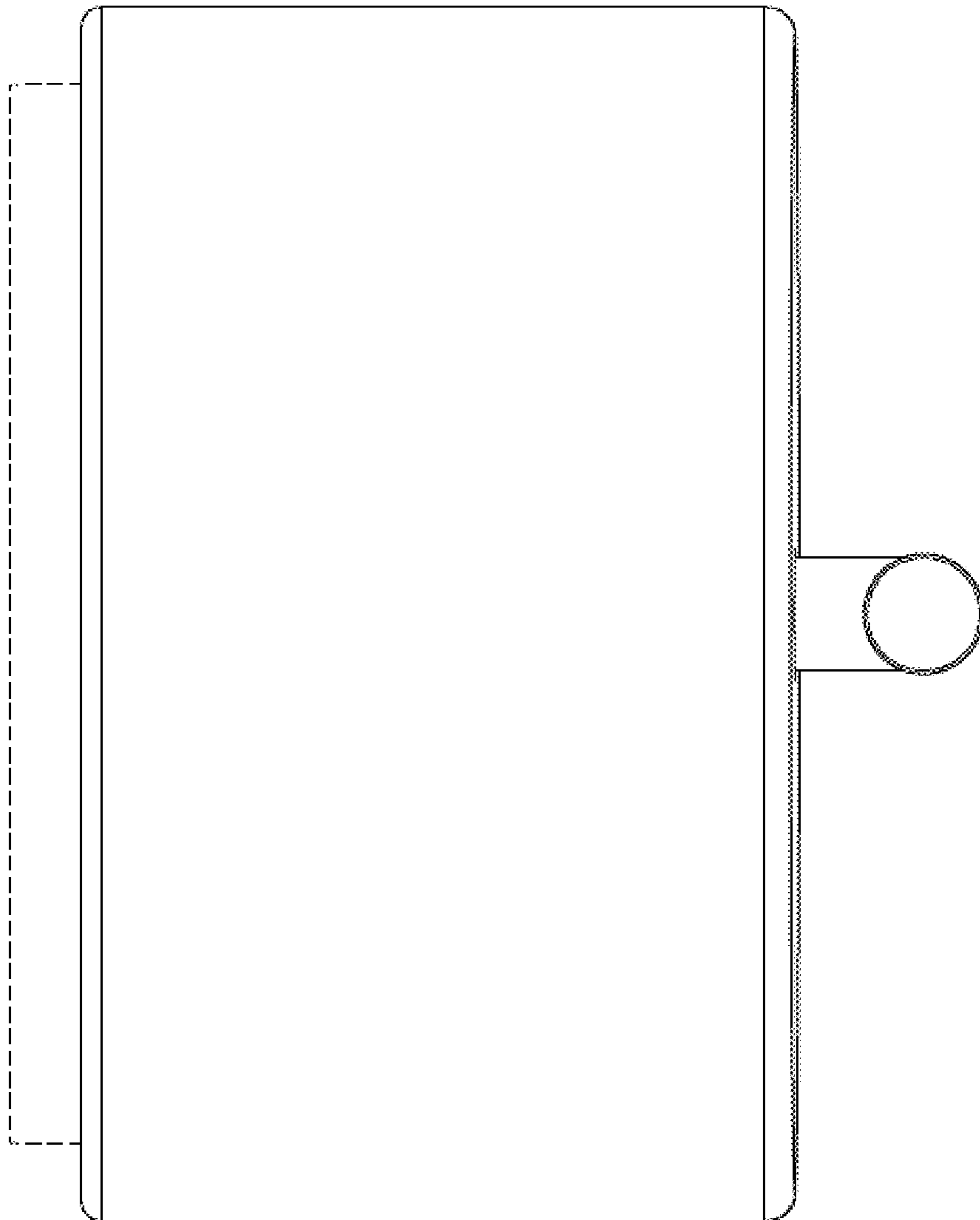
1.1



1.2



1.3



1,4

