



US00D778844S

(12) **United States Design Patent**
Tsuduki et al.

(10) **Patent No.:** **US D778,844 S**

(45) **Date of Patent:** **** Feb. 14, 2017**

(54) **WALL-HANGING REMOTE CONTROLLER**

6,754,912 B1 * 6/2004 Hayashi E03D 9/08
239/468

(71) Applicant: **LIXIL Corporation**, Tokyo (JP)

D501,463 S * 2/2005 Hisatsune D14/218
6,925,661 B1 * 8/2005 Anger A47K 3/001

(72) Inventors: **Hideaki Tsuduki**, Tokyo (JP); **Daisuke
Matsumoto**, Tokyo (JP); **Keita
Kuramochi**, Tokyo (JP); **Rei Shoji**,
Tokyo (JP)

D520,989 S * 5/2006 Miller D14/218
D635,556 S * 4/2011 Suzuki D14/218
D724,037 S * 3/2015 Yoshioka D13/168
D736,720 S * 8/2015 Jung D13/168
D763,204 S * 8/2016 Ikegaya D13/168

(73) Assignee: **LIXIL CORPORATION**, Tokyo (JP)

2006/0076220 A1 * 4/2006 Fukaya E03C 1/055
200/6 A

(**) Term: **15 Years**

2015/0275492 A1 * 10/2015 Momoe E03D 5/09
4/406

(21) Appl. No.: **29/556,100**

2015/0364278 A1 * 12/2015 Morioka H01H 13/7006
200/341

(22) Filed: **Feb. 26, 2016**

2016/0251841 A1 * 9/2016 Huynh E03D 3/12

(30) **Foreign Application Priority Data**

Aug. 28, 2015 (JP) 2015-018931

(51) **LOC (10) Cl.** **14-03**

(52) **U.S. Cl.**
USPC **D13/168**

(58) **Field of Classification Search**

USPC D13/168; D14/218
CPC H03J 1/0025; H03J 9/00; H03J 9/02;
H03J 9/04; H03J 9/06; H01H
9/0235; H04B 1/202; G05B 11/01; G08C
17/00; G08C 17/02; G08C 19/28; G08C
23/04; G08C 2201/20; G08C
2201/30; G08C 2201/33; G08C 2201/40;
G08C 2201/91; G08C 2201/92; E03C
1/055; E03D 5/10; E03D 9/08
See application file for complete search history.

(56) **References Cited**

U.S. PATENT DOCUMENTS

D464,328 S * 10/2002 Vasquez D13/164
6,724,873 B2 * 4/2004 Senna Da Silva E03C 1/055
340/6.11

* cited by examiner

Primary Examiner — Selina Sikder

(74) *Attorney, Agent, or Firm* — Muncy, Geissler, Olds &
Lowe, P.C.

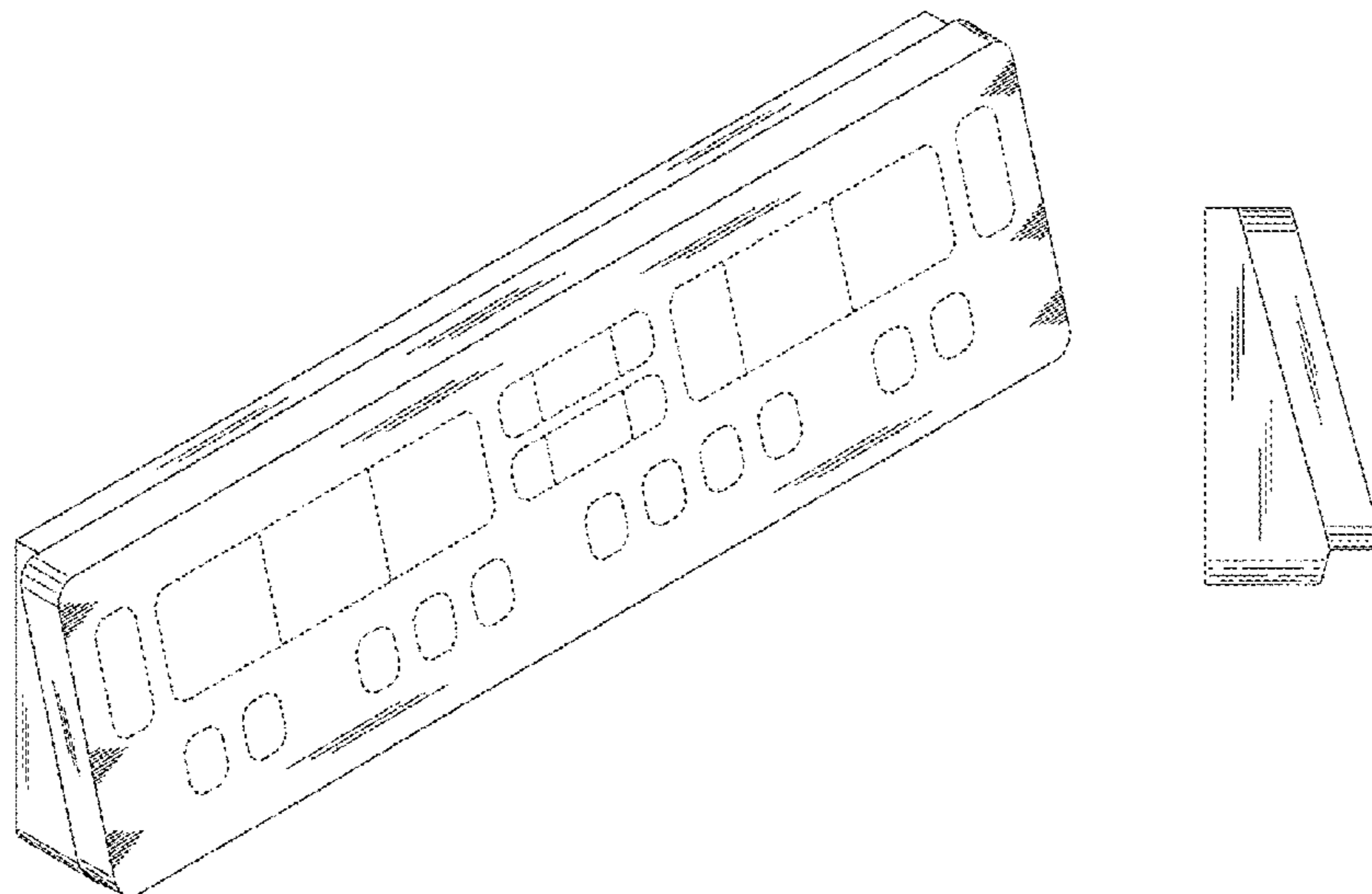
(57) **CLAIM**

The ornamental design for a wall-hanging remote controller,
as shown and described.

DESCRIPTION

FIG. 1 is a perspective view of a wall-hanging remote controller showing our new design;
FIG. 2 is a front elevational view thereof;
FIG. 3 is a top plan view thereof;
FIG. 4 is a right side view thereof;
FIG. 5 is a left side view thereof;
FIG. 6 is a rear elevational view thereof; and,
FIG. 7 is a bottom plan view thereof.
The broken lines illustrate portions of the wall-hanging remote controller which form no part of the claimed design.

1 Claim, 7 Drawing Sheets



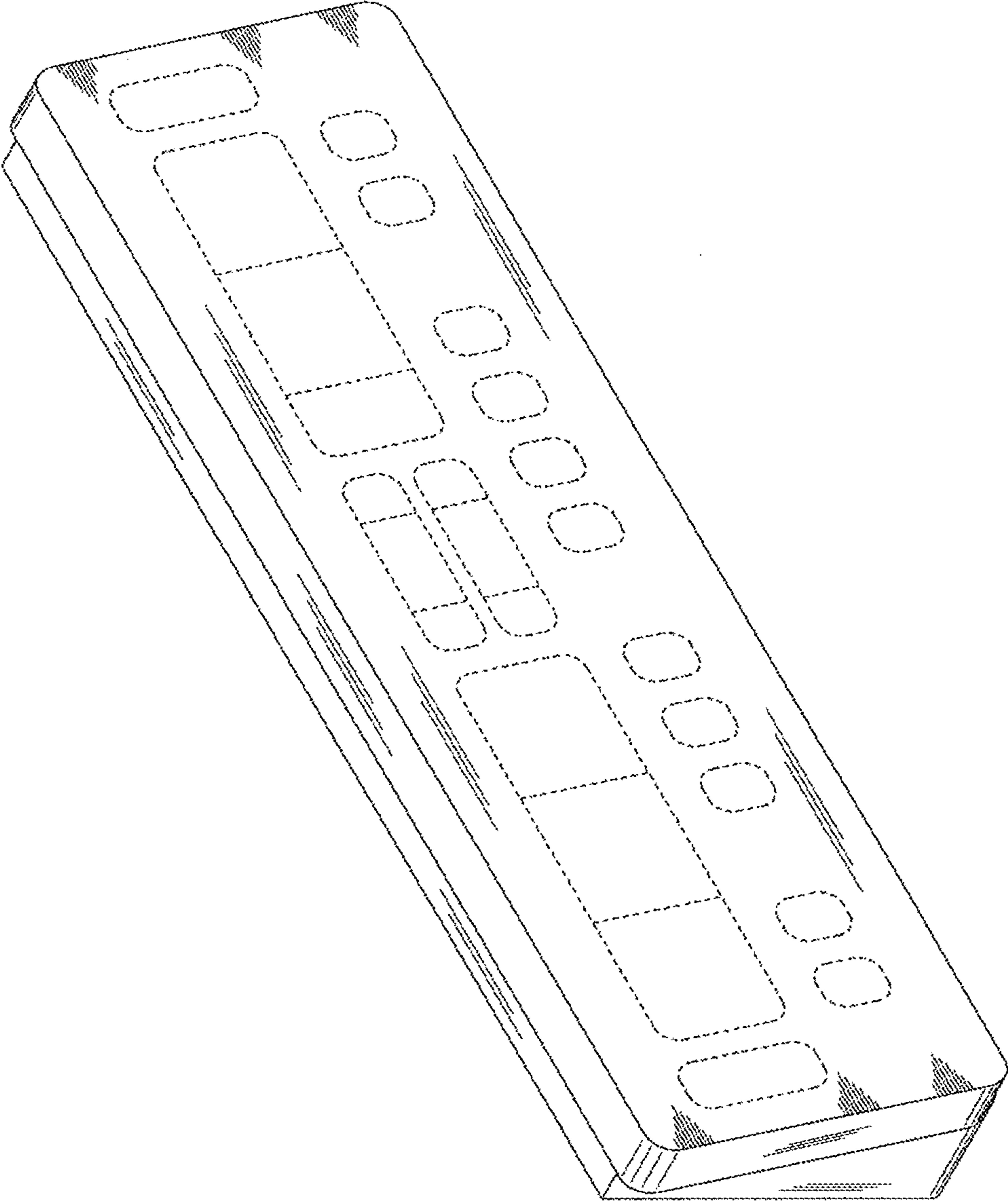


FIG.1

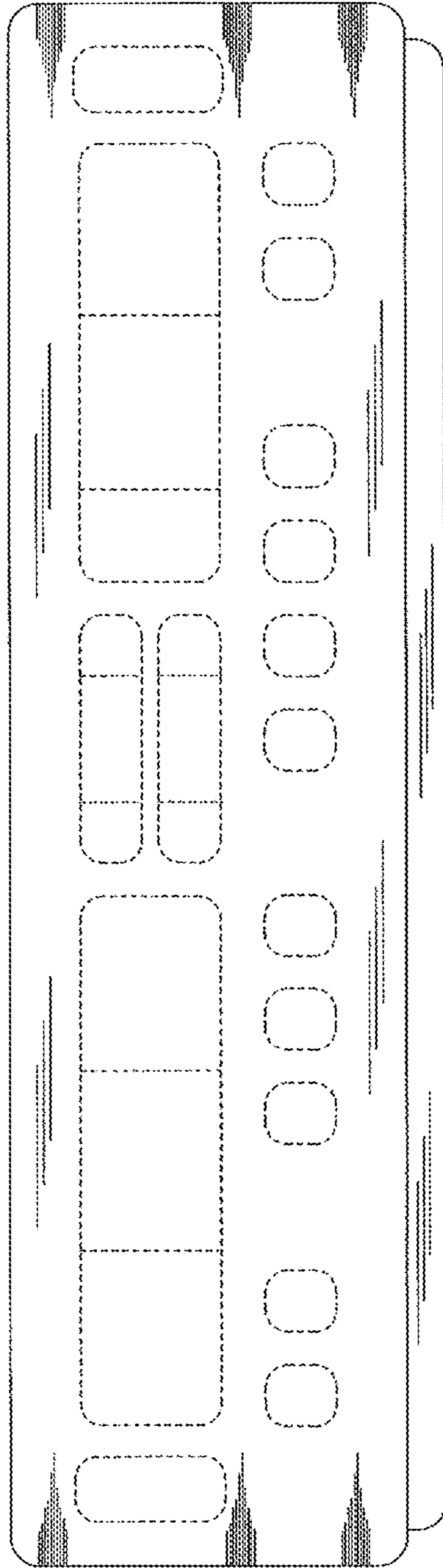


FIG. 2

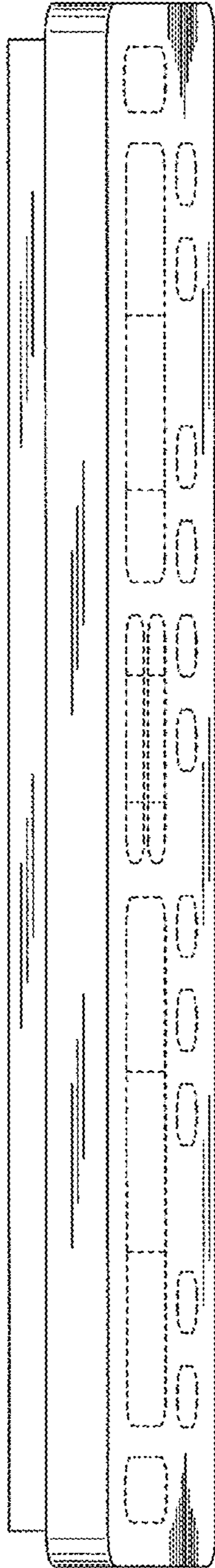


FIG.3

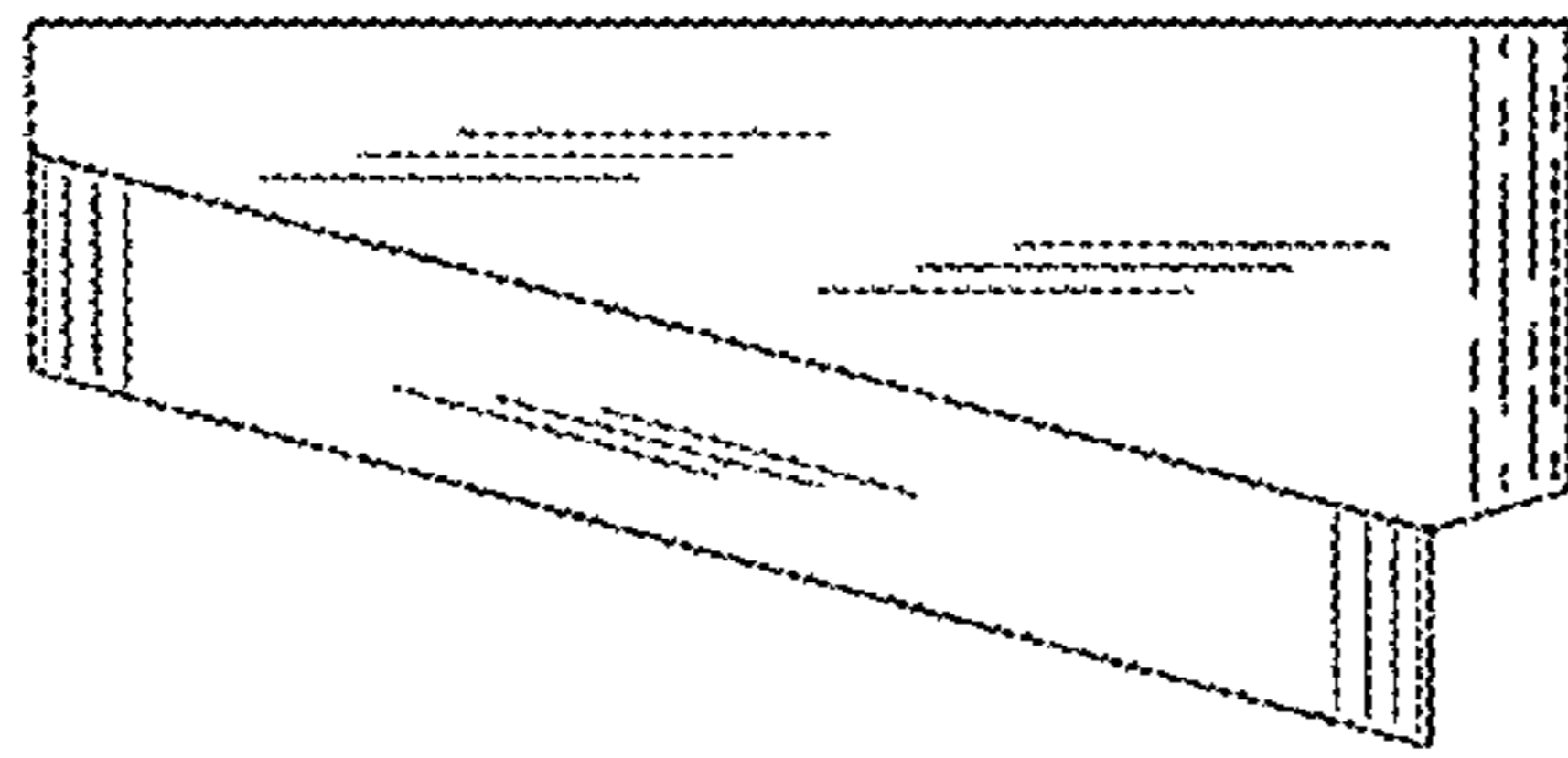


FIG.4

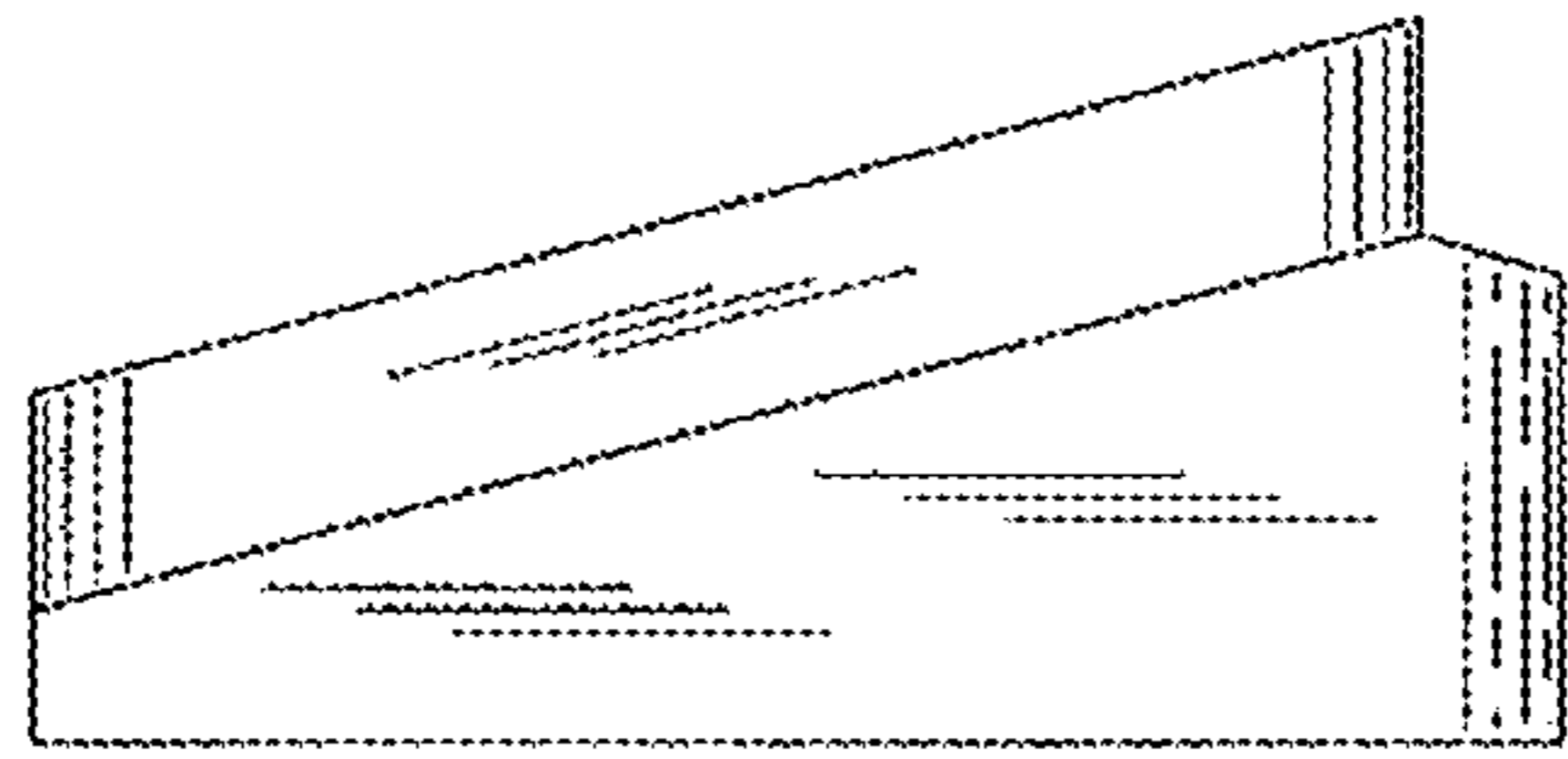


FIG.5

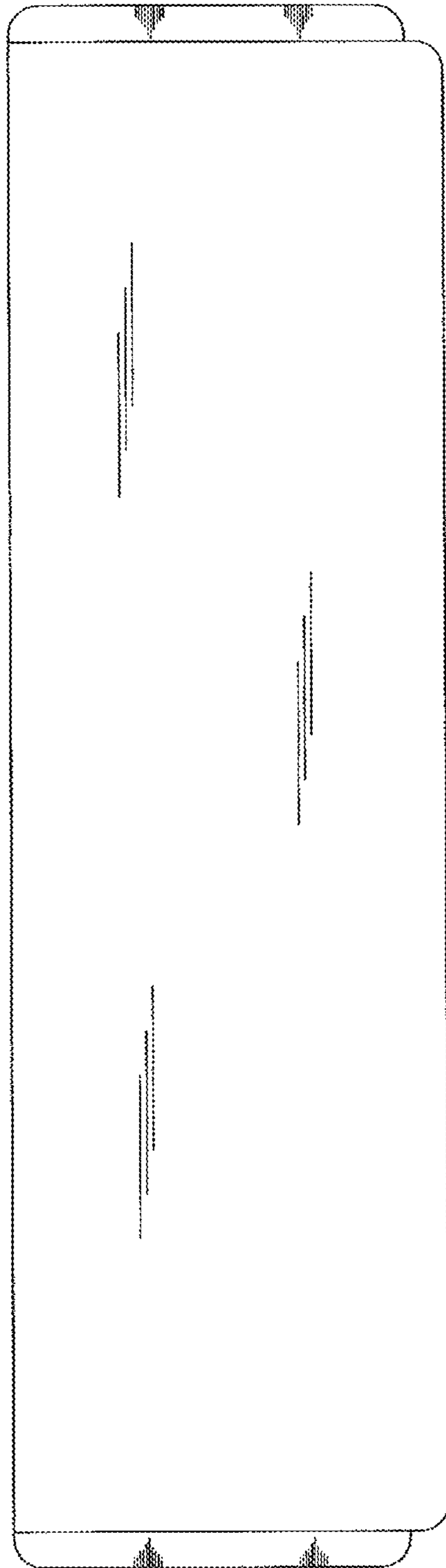


FIG.6

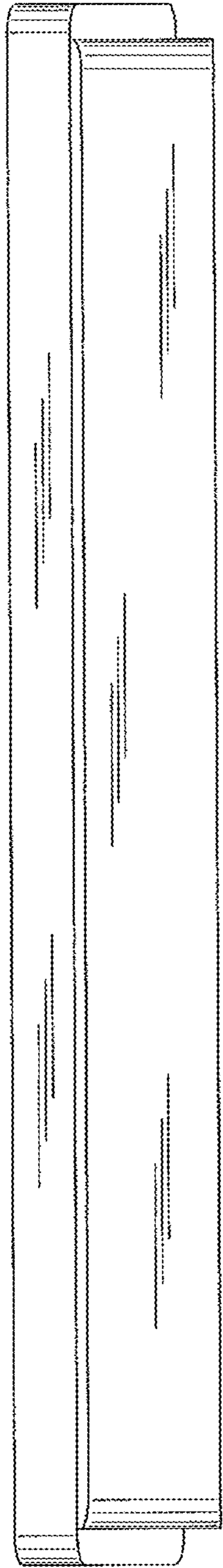


FIG.7