



US00D778838S

(12) **United States Design Patent**  
**Dobler**

(10) **Patent No.:** **US D778,838 S**

(45) **Date of Patent:** **\*\* Feb. 14, 2017**

(54) **ELECTRICAL CONNECTOR**

(71) Applicant: **NEUTRIK AG**, Schaan (LI)

(72) Inventor: **Oliver Dobler**, Eschen (LI)

(73) Assignee: **Neutrik AG**, Schaan (LI)

(\*\*) Term: **15 Years**

(21) Appl. No.: **29/541,016**

(22) Filed: **Sep. 30, 2015**

(30) **Foreign Application Priority Data**

Apr. 9, 2015 (EP) ..... 002 677 641-0003  
Apr. 9, 2015 (EP) ..... 002 677 641-0005

(51) **LOC (10) Cl.** ..... **13-03**

(52) **U.S. Cl.**  
USPC ..... **D13/133**

(58) **Field of Classification Search**  
USPC ..... D13/118, 123, 133-135, 146-151,  
D13/153-156, 173, 184, 199  
CPC ..... H01R 4/00; H01R 4/60; H01R 4/66;  
H01R 13/00; H01R 13/44; H01R 13/52;  
H01R 13/58; H01R 13/62; H01R 24/38;  
H01R 43/00; H01R 43/18; H01R 43/22;  
H01R 13/40; H01R 13/64; H01R 13/66;  
G02B 6/38

See application file for complete search history.

(56) **References Cited**

**U.S. PATENT DOCUMENTS**

4,129,352 A 12/1978 Iizuka  
D312,813 S 12/1990 Takizawa  
D399,188 S 10/1998 Lin  
D399,189 S 10/1998 Lin

(Continued)

**FOREIGN PATENT DOCUMENTS**

CN 02 305 193.0 12/2002  
CN 02 305 192.2 1/2003

(Continued)

**OTHER PUBLICATIONS**

Pictures of 4 Connectors (undated).

(Continued)

*Primary Examiner* — Thomas Johannes

*Assistant Examiner* — Shawn T Gingrich

(74) *Attorney, Agent, or Firm* — Harris Beach PLLC;  
Neal L. Slifkin

(57) **CLAIM**

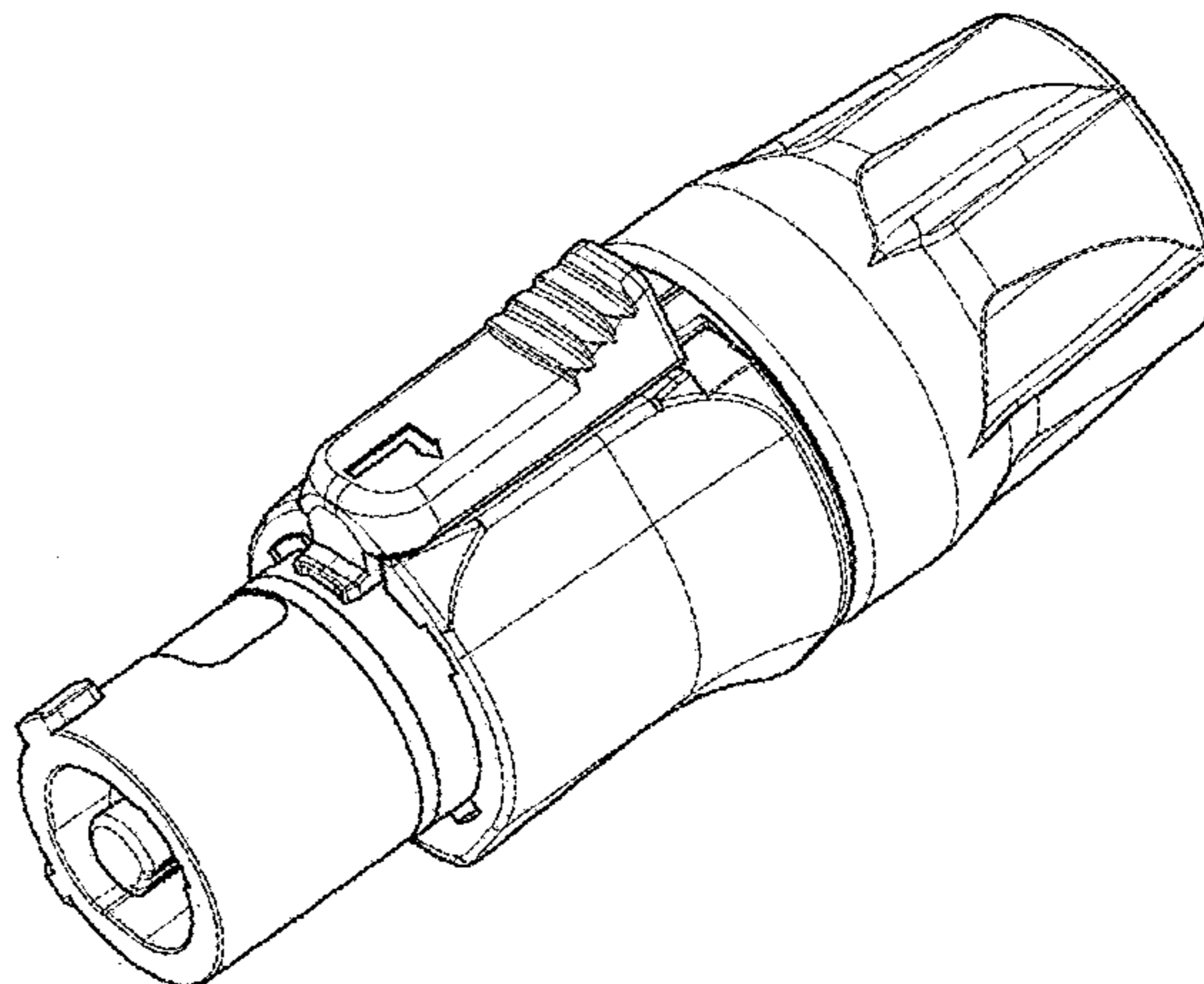
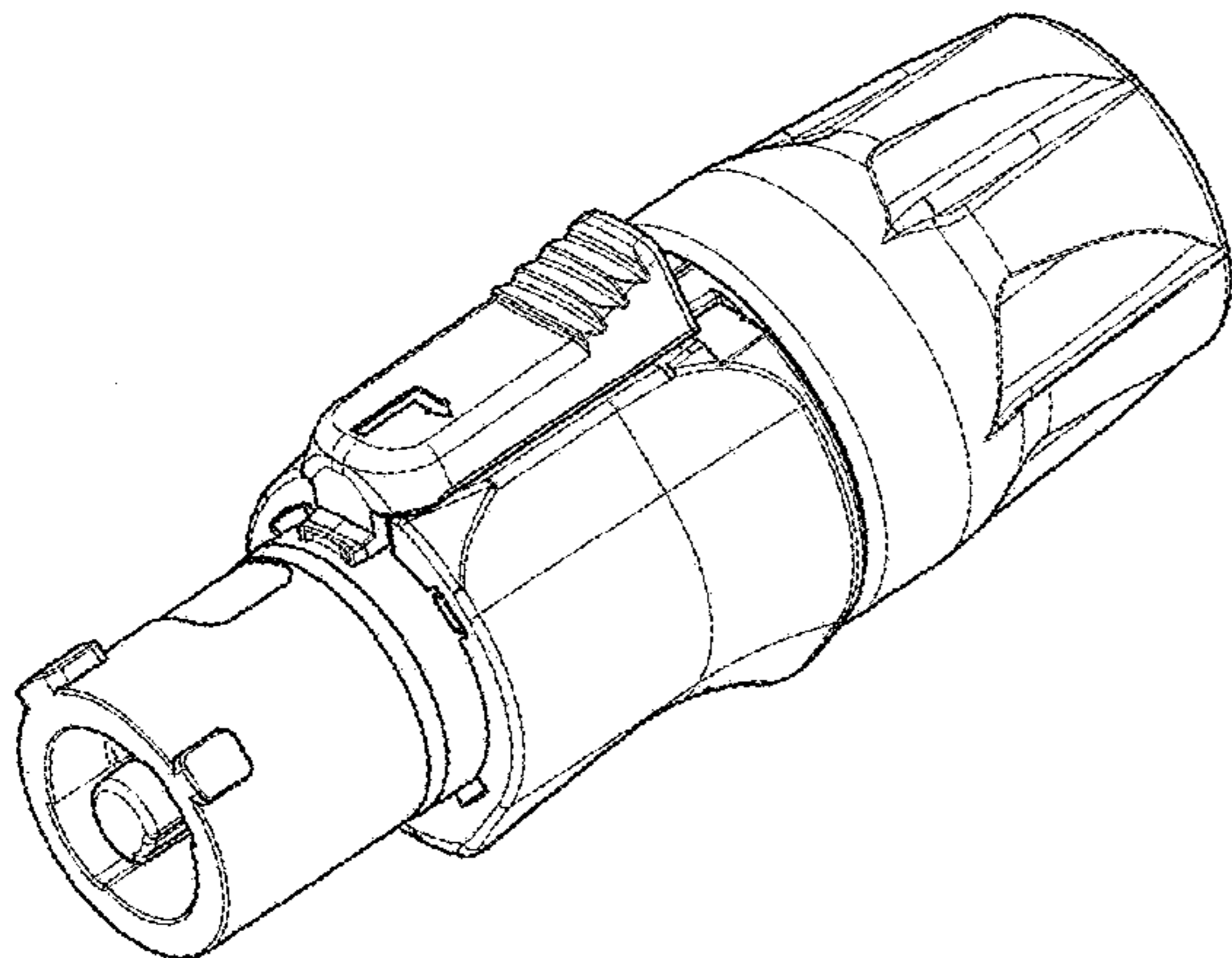
The ornamental design for an electrical connector, as shown and described.

**DESCRIPTION**

FIG. 1 is a front elevation view of an electrical connector showing my design;  
FIG. 2 is a right side elevation view thereof;  
FIG. 3 is a rear elevation view thereof;  
FIG. 4 is a top plan view thereof;  
FIG. 5 is a left side elevation view thereof;  
FIG. 6 is a bottom plan view thereof;  
FIG. 7 is a perspective view thereof;  
FIG. 8 is a front elevation view of a second embodiment of an electrical connector showing my design;  
FIG. 9 is a right side elevation view thereof;  
FIG. 10 is a rear elevation view thereof;  
FIG. 11 is a top plan view thereof;  
FIG. 12 is a left side elevation view thereof;  
FIG. 13 is a bottom plan view thereof; and,  
FIG. 14 is a perspective view thereof.

The broken line portion of the figure drawings is included to show unclaimed subject matter only and forms no part of the claimed design.

**1 Claim, 6 Drawing Sheets**



(56)

References Cited

U.S. PATENT DOCUMENTS

D413,100	S	8/1999	Nakazawa	
D415,469	S	10/1999	Lee	
6,093,043	A	7/2000	Gray	
D437,294	S	2/2001	Amin	
D475,969	S	6/2003	Pincek et al.	
6,582,248	B2	6/2003	Bachman	
D501,826	S	2/2005	Bachmann	
D508,466	S	* 8/2005	Dobler	D13/154
D512,023	S	11/2005	Bachmann	
D512,378	S	12/2005	Dobler	
D512,965	S	12/2005	Dobler	
D514,069	S	1/2006	Bachmann	
D524,738	S	7/2006	Dobler	
D574,784	S	8/2008	Chawgo	
D575,231	S	8/2008	Ho et al.	
D575,739	S	8/2008	Ho et al.	
D575,740	S	8/2008	Ho et al.	
D576,951	S	9/2008	Chen et al.	
D577,674	S	9/2008	Long et al.	
D581,368	S	11/2008	Cummings et al.	
D587,200	S	2/2009	Allwood et al.	
D587,202	S	2/2009	Dobler	
D588,068	S	3/2009	Cummings et al.	
D588,069	S	3/2009	Cummings et al.	
D594,414	S	6/2009	Qgata et al.	
D616,820	S	6/2010	Gong et al.	
7,857,643	B2	12/2010	Dobler	
D644,179	S	8/2011	Dobler	
D652,797	S	1/2012	Smith et al.	
D671,892	S	12/2012	Keith, Jr. et al.	
D677,626	S	3/2013	Dobler	
D677,627	S	3/2013	Dobler	
D679,653	S	4/2013	Dobler	
D692,829	S	11/2013	Dobler	
D693,304	S	11/2013	Dobler	
D714,725	S	* 10/2014	Vogelmann	D13/133
D715,227	S	10/2014	Leem	
D737,771	S	9/2015	Hofmann	
D748,058	S	* 1/2016	Corona	D13/146
D753,065	S	* 4/2016	Corona	D13/146
D754,073	S	* 4/2016	Katagiyama	D13/133
D754,607	S	* 4/2016	Hofmann	D13/133
2008/0194142	A1	8/2008	Wlos	
2014/0340076	A1	* 11/2014	Ilg	H01R 13/516 324/156
2016/0134066	A1	* 5/2016	Endo	H01R 9/05 439/578

FOREIGN PATENT DOCUMENTS

CN	02 305 195.7	1/2003
EM	000 152 970-0002	6/2004
EM	000 152 970-0003	6/2004
EM	000 152 970-0004	6/2004
EM	000 152 970-0006	6/2004
EM	000 445 218-0001	2/2006
EM	000 445 218-0002	2/2006
EM	000 445 218-0003	2/2006
EM	000 741 152-0001	7/2007
EM	001 229 827-0001	8/2010
EM	001 229 827-0002	8/2010

EM	001 229 827-0003	8/2010
EM	001 229 827-0004	8/2010
EM	001 229 827-0007	8/2010
EM	001 229 827-0008	8/2010
EM	001 229 827-0009	8/2010
EM	001 229 827-0010	8/2010
EM	001 371 843-0001	5/2013
EM	001 371 843-0002	5/2013
EM	001 371 843-0003	5/2013
EM	001 371 843-0004	5/2013
EM	001 371 843-0005	5/2013
EM	001 386 684-0001	10/2013
EM	001 386 684-0002	10/2013
EM	001 386 684-0003	10/2013
EM	001 386 684-0004	10/2013
EM	001 386 684-0005	10/2013
EM	001 386 684-0006	10/2013
EM	001 386 684-0014	10/2013
EM	001 386 684-0015	10/2013

OTHER PUBLICATIONS

US Trademark Supplemental Registration 2,863,822, registered Jul. 13, 2004.

EM Trademark Registration 002382786, Apr. 25, 2005.

EM Trademark Registration 003717361, Sep. 13, 2005.

EM Trademark Registration 003717303, Jun. 26, 2006.

EM Trademark Registration 009351305 Mar. 25, 2011.

EM Trademark Registration 009351297 Mar. 25, 2011.

Neutrik Product Guide 2012/13, published Mar. 21, 2012; front page and pp. 3, 7, 64, 66, 67, 70,115, 116, 118, 119 and 120.

U.S. Appl. No. 29/534,279, filed Jul. 28, 2015, 21 pages.

A) Pages of the Product Guide of the Applicant of the year 2008: p. 9, 10, 11, 12, 13, 58, 97, 99 and back cover.

B) Email of the applicant dated Feb. 3, 2011 showing connectors of prior art.

C) CN 302 489 157 S.

D) CN 302 109 920 S.

E) CN 302 517 924 S.

F) four pages with connectors (undated).

G) 1 page with four pictures (undated).

H) 6 pages showing similar connectors (undated).

I) 4 photographs of similar connectors (undated).

J) 4 photographs of similar connectors (undated).

K) 3 pages showing similar connectors (undated); and l) 1 page showing similar connectors.

M) Publication of Neutrik AG, published May 1996; n) Publication of Neutrik AG, published May 1996; o) Publication of Neutrik AG, published Aug. 1996; p) Publication of Neutrik AG, published Aug. 1996; q) Publication of Neutrik AG, Published Aug. 1996; r) Publication of Neutrik AG, published Feb. 1997.

S) Publication of Neutrik AG, published Feb. 1997; t) Publication of Neutrik AG, published Feb. 1997; u) Publication of Neutrik AG, published Jan. 1995; v) Publication of Neutrik AG, published Jan. 1995; w) Publication of Neutrik AG, published in 1986; x) Publication of Neutrik AG, published in 1986.

Y) Newsletter of Neutrik AG (5 pages), published Mar. 2008.

Z) Front page and pp. 119 and 120 of Product Guide 2013/2014 of Neutrik AG.

\* cited by examiner

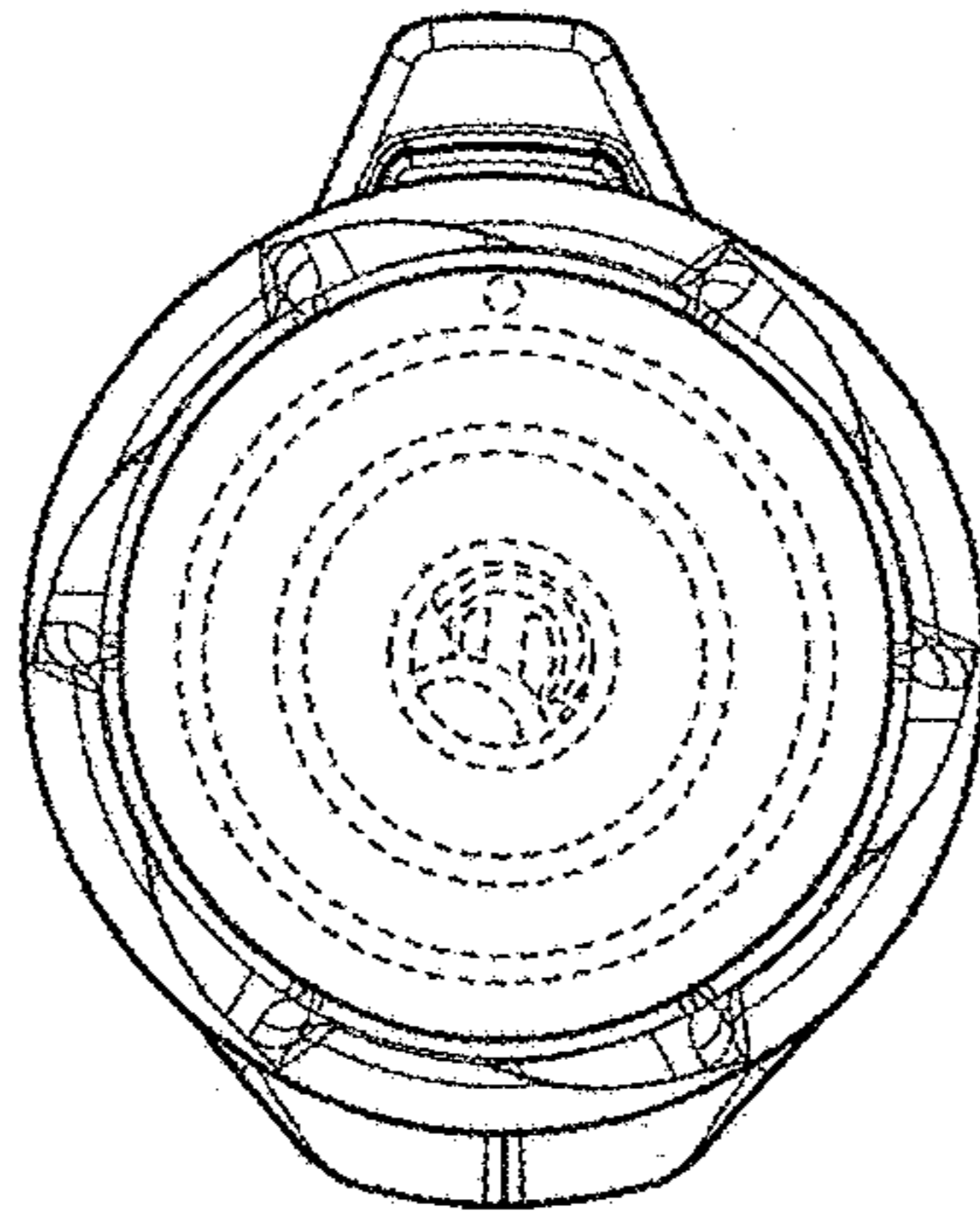


FIG. 1

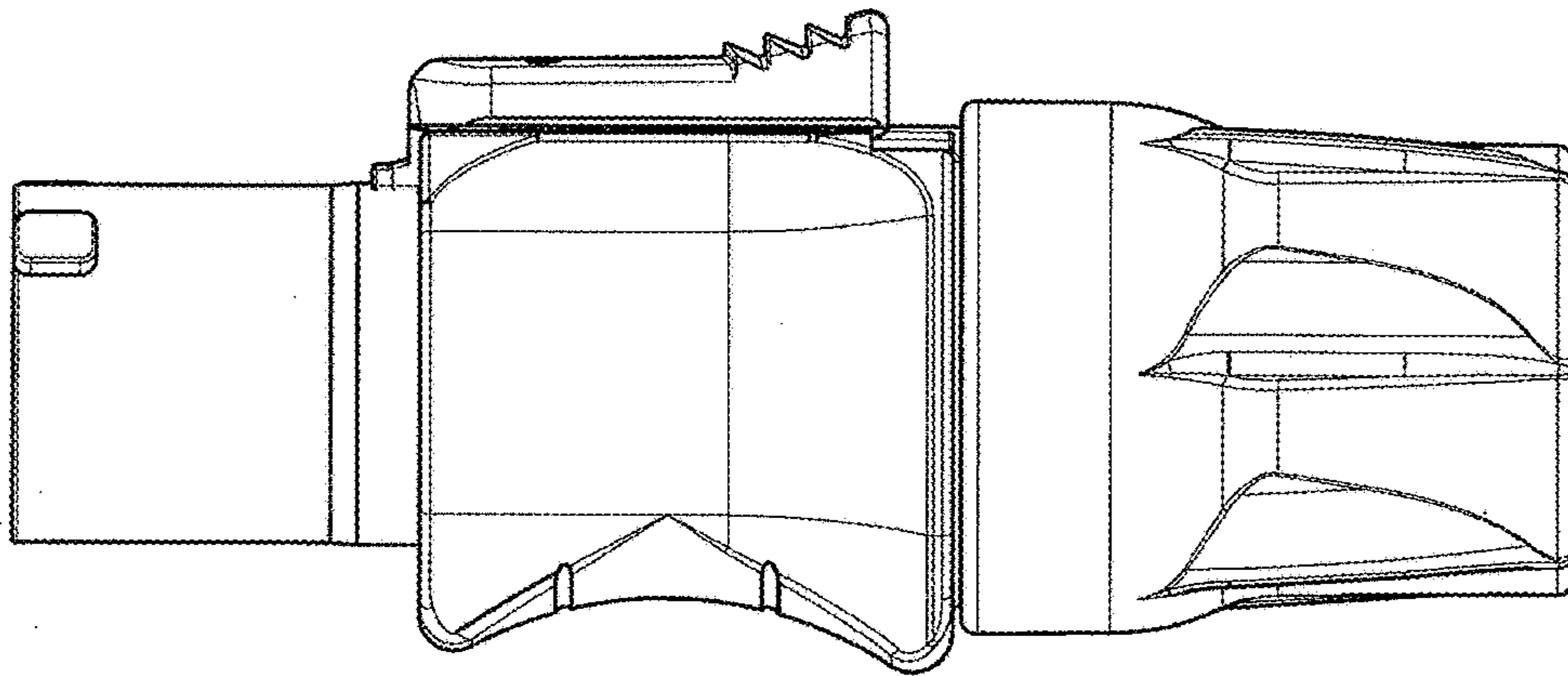


FIG. 2

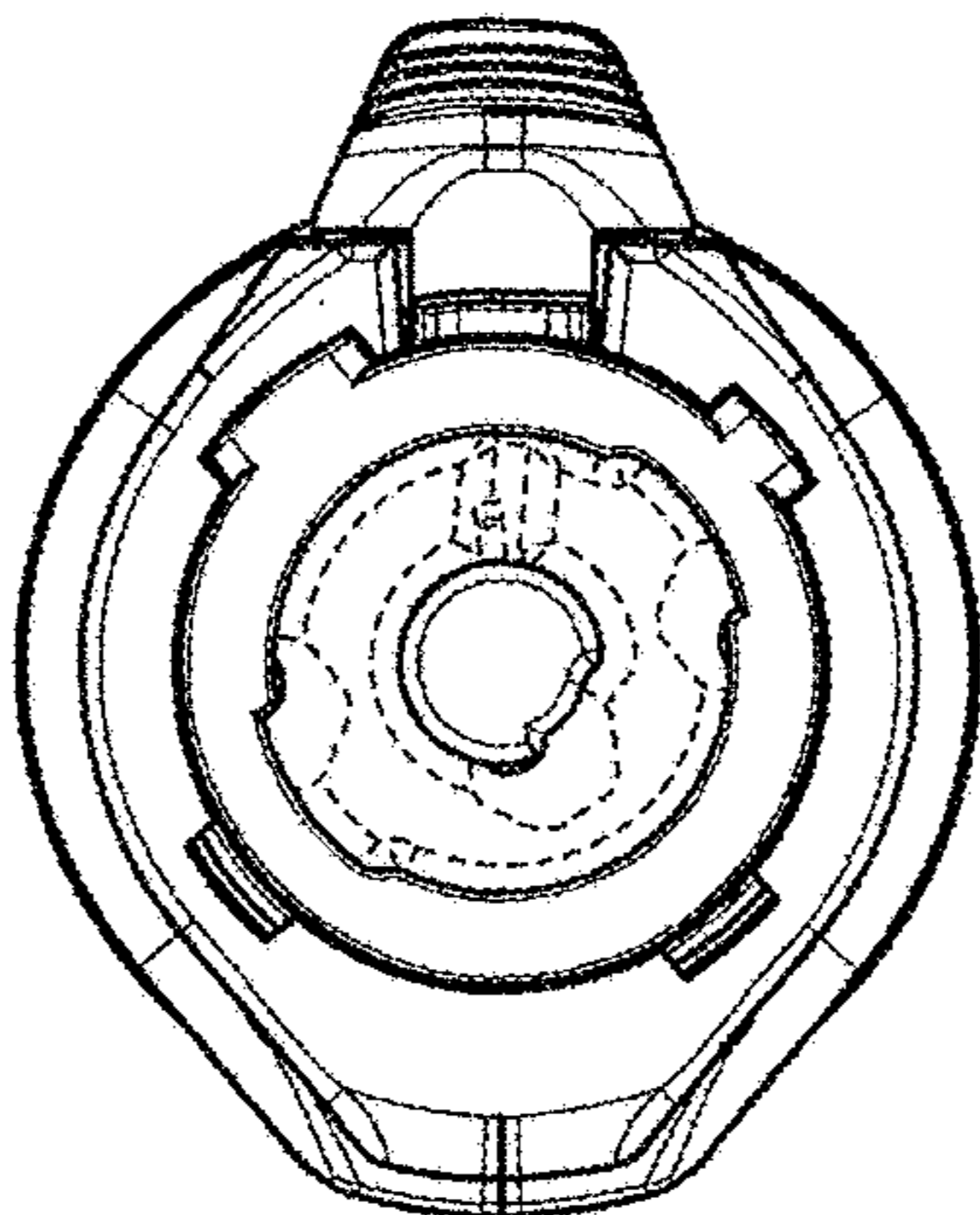


FIG. 3

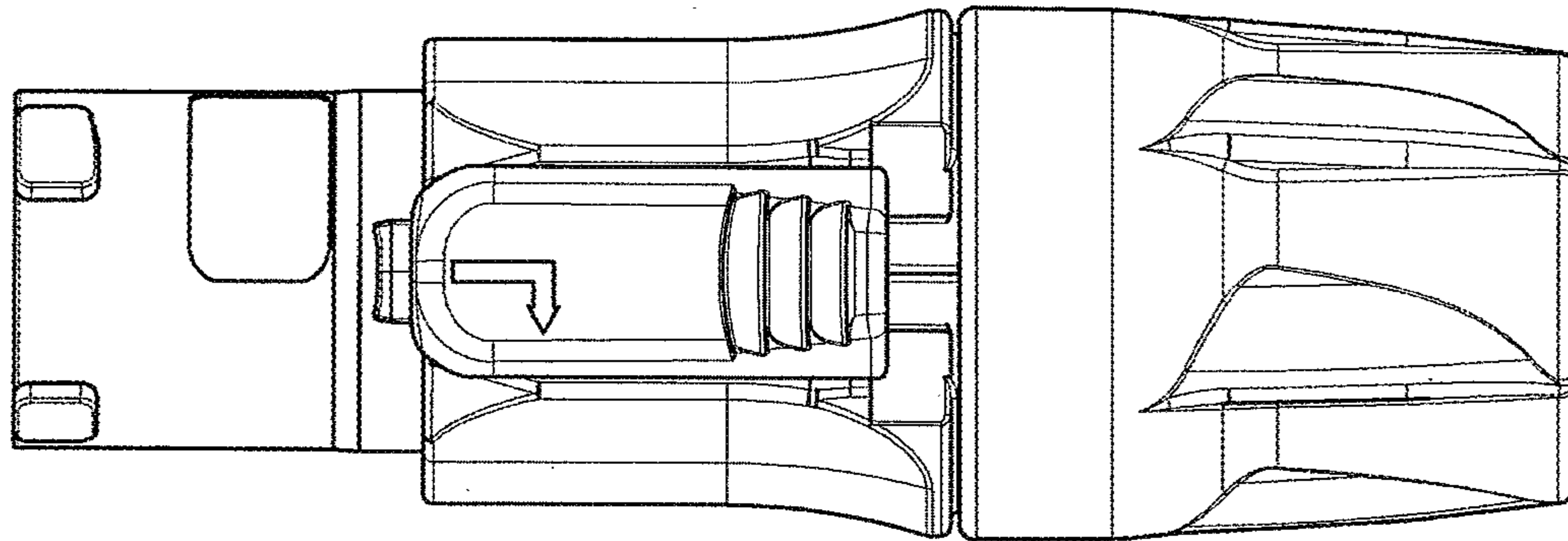


FIG. 4

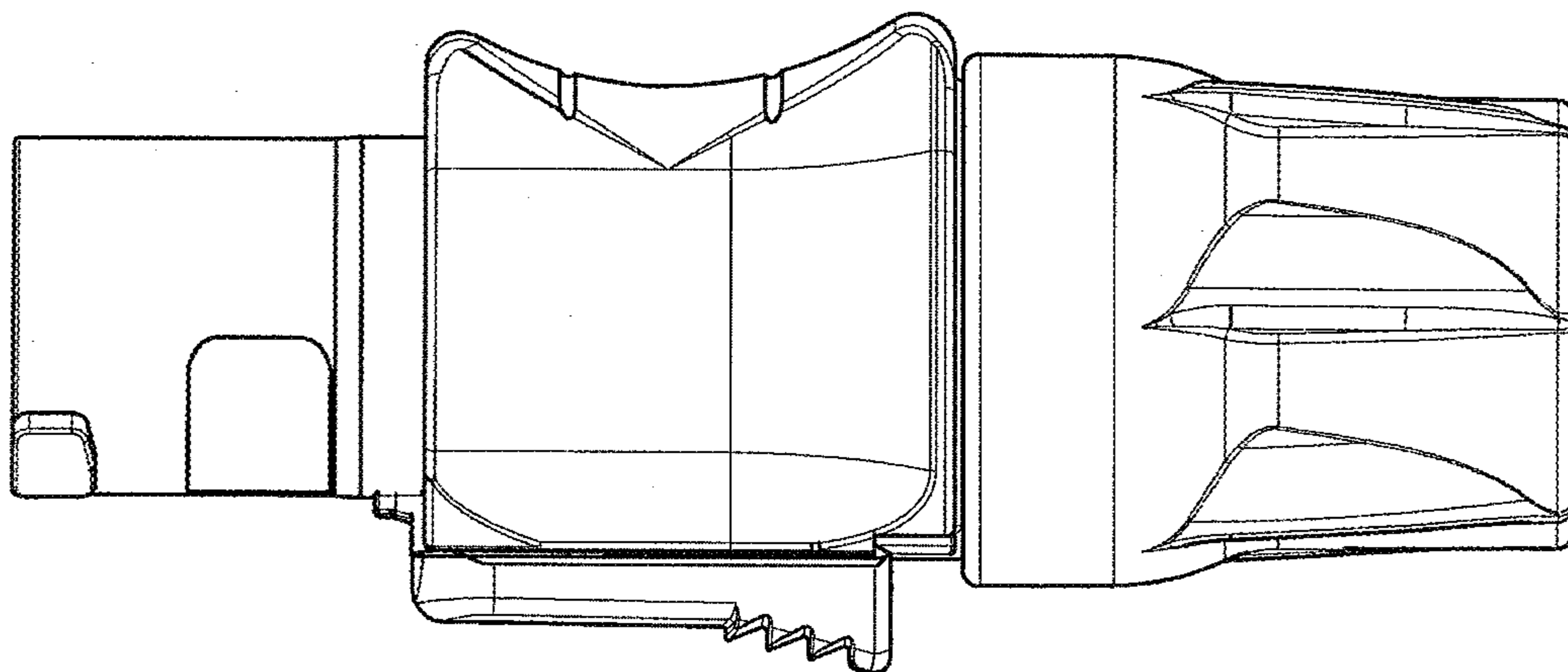


FIG. 5

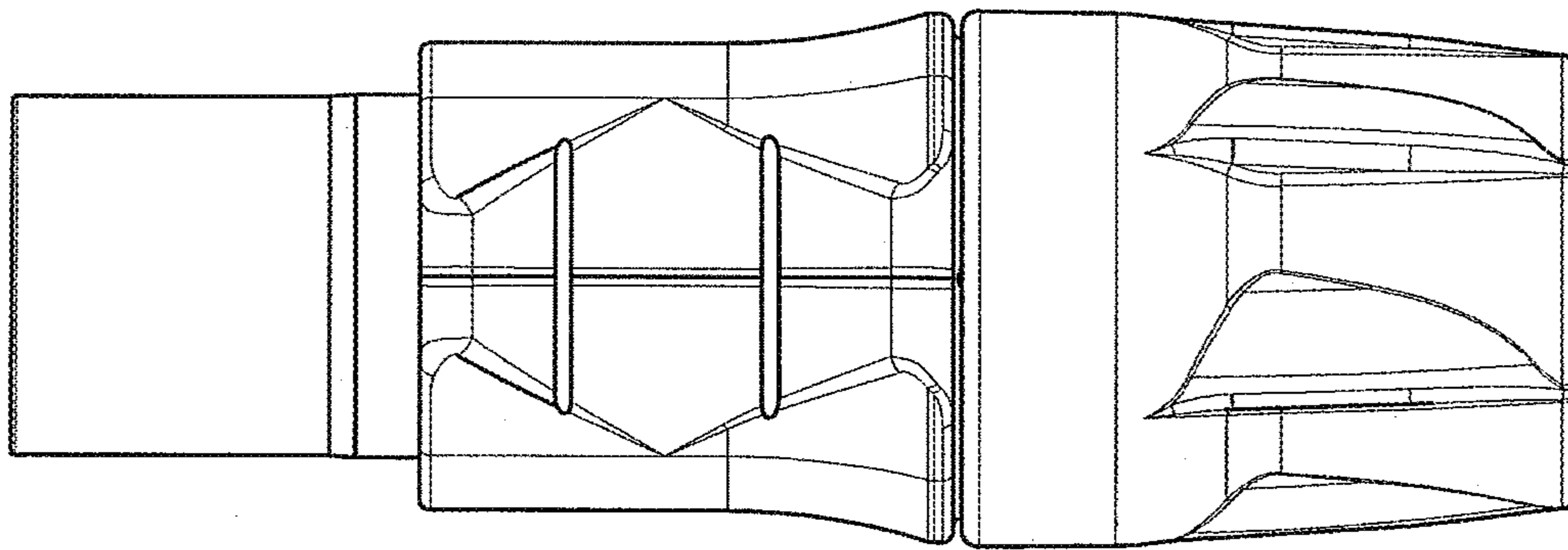


FIG. 6

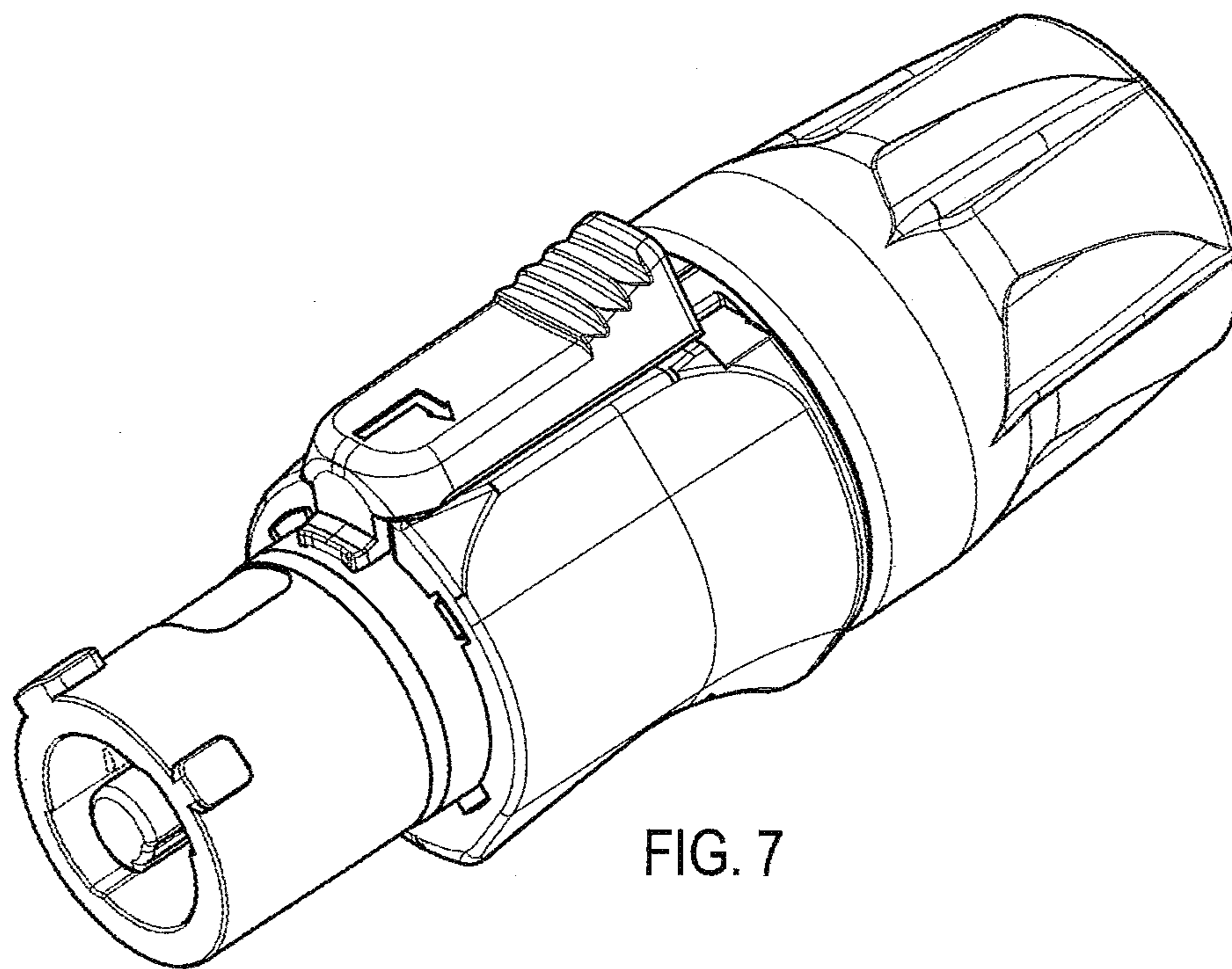


FIG. 7

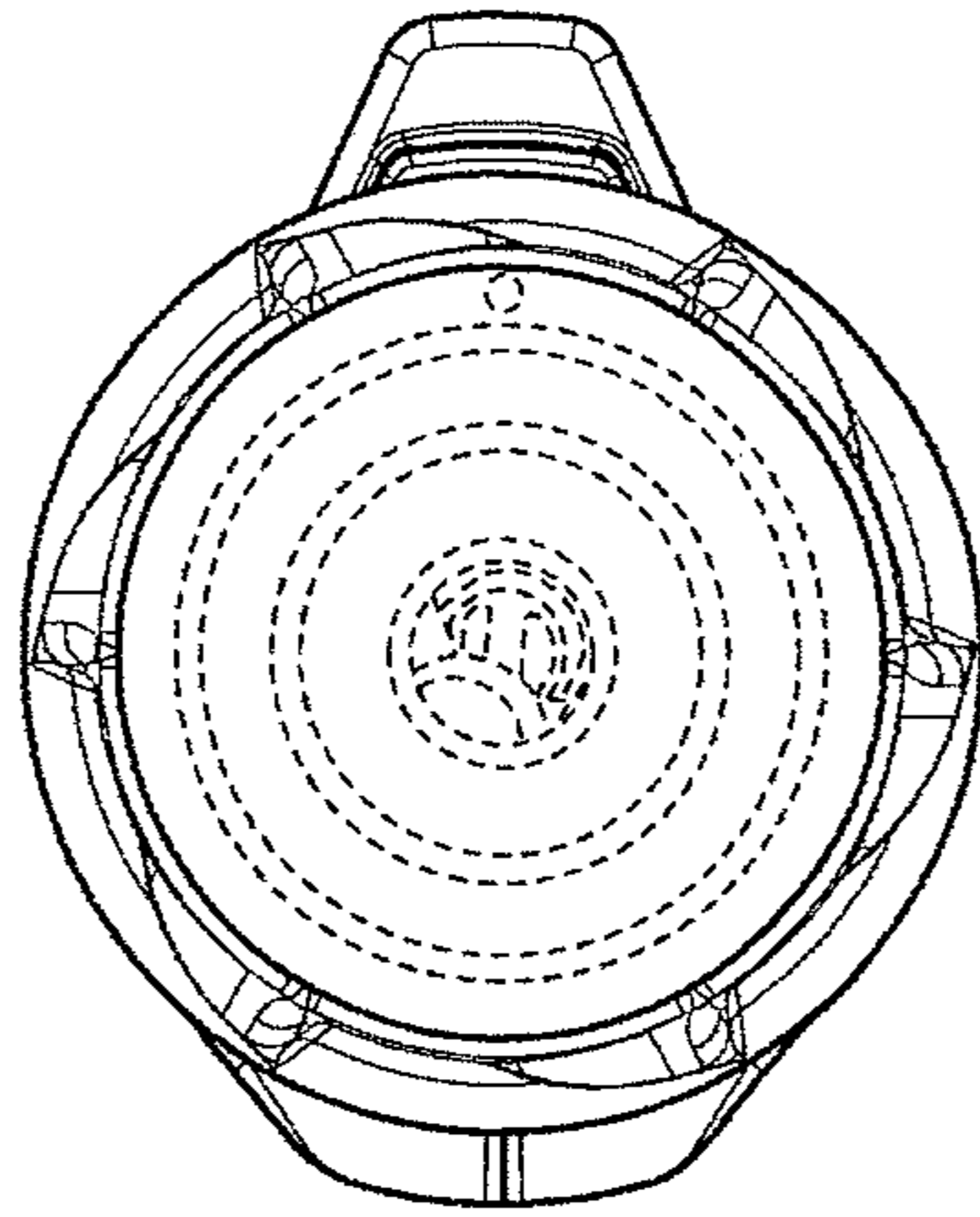


FIG. 8

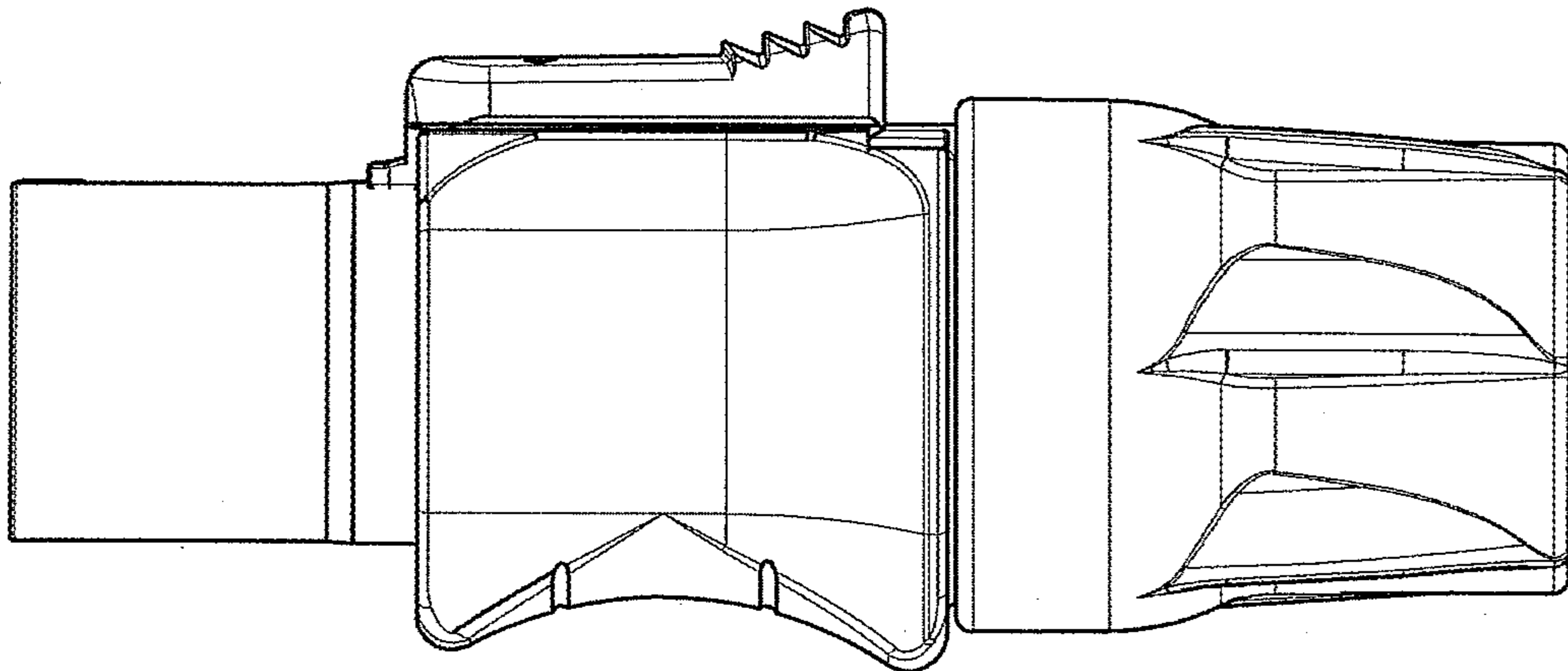


FIG. 9

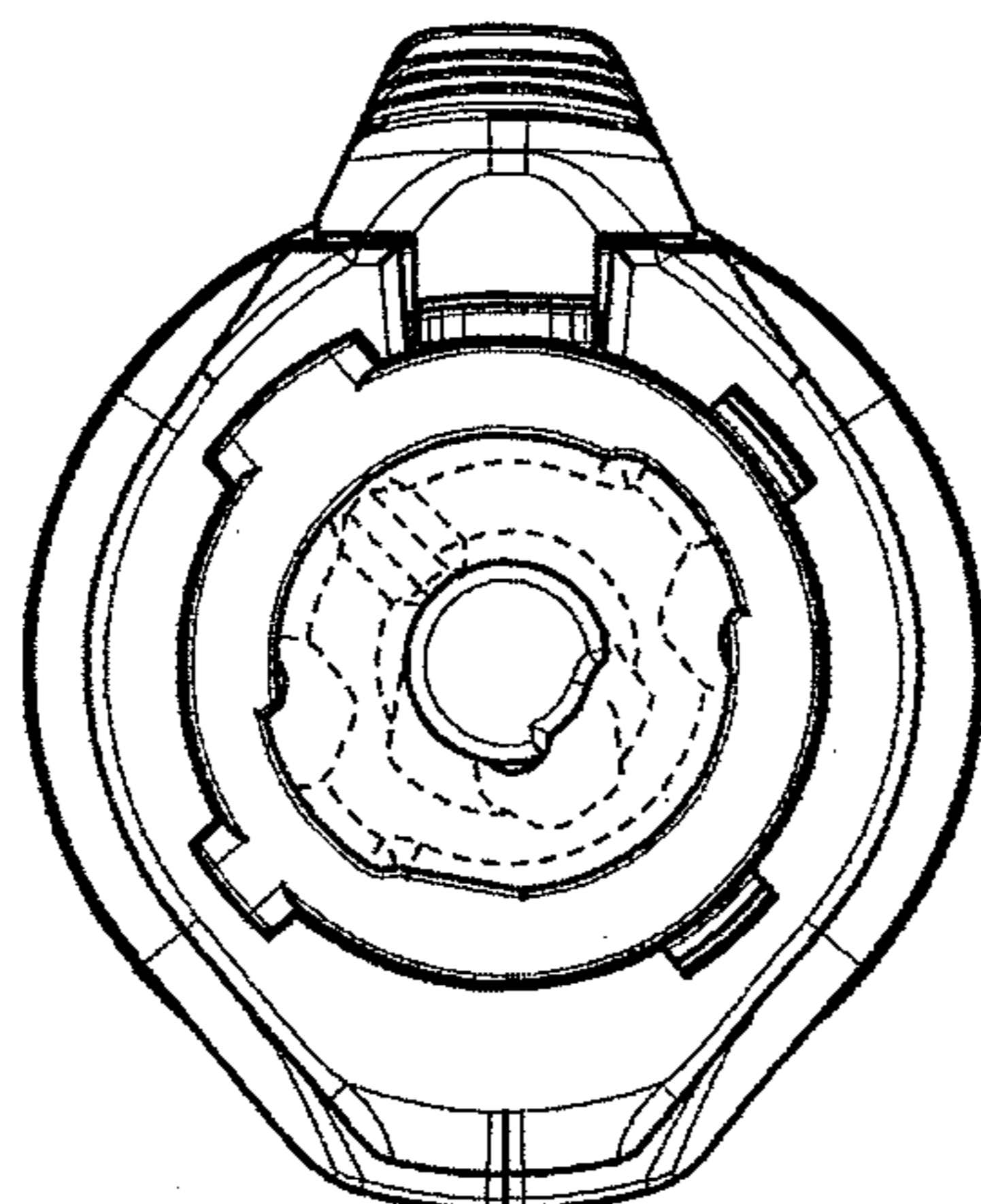


FIG. 10

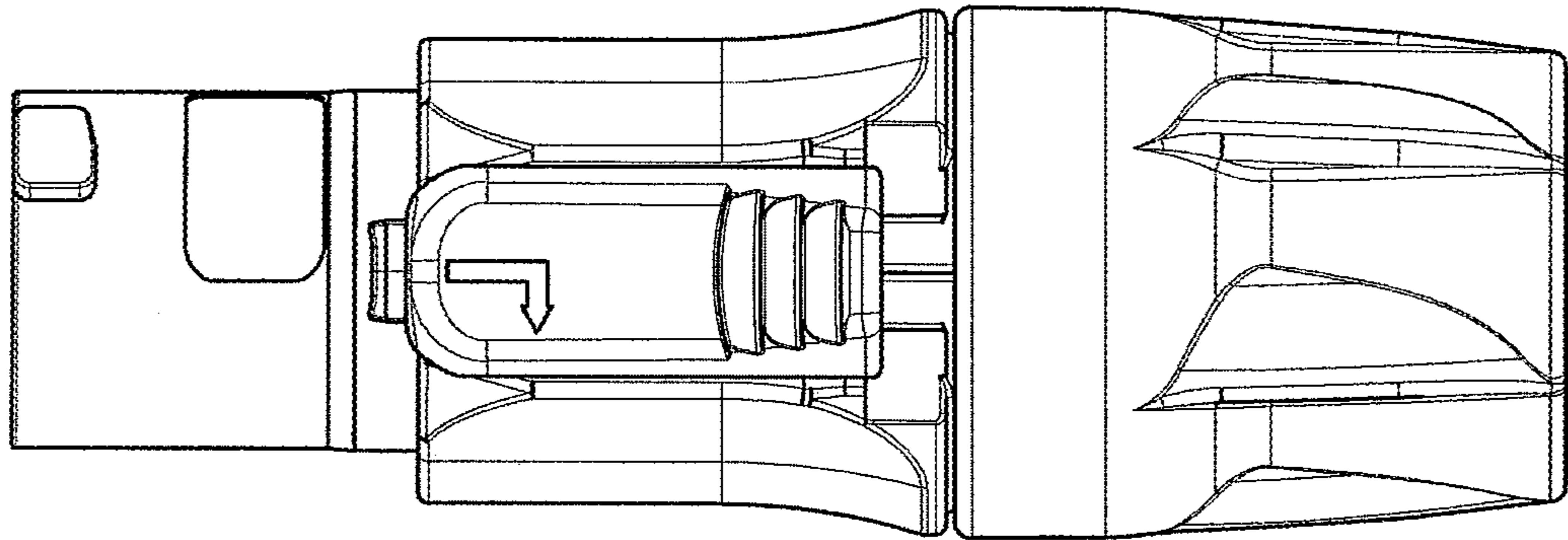


FIG. 11

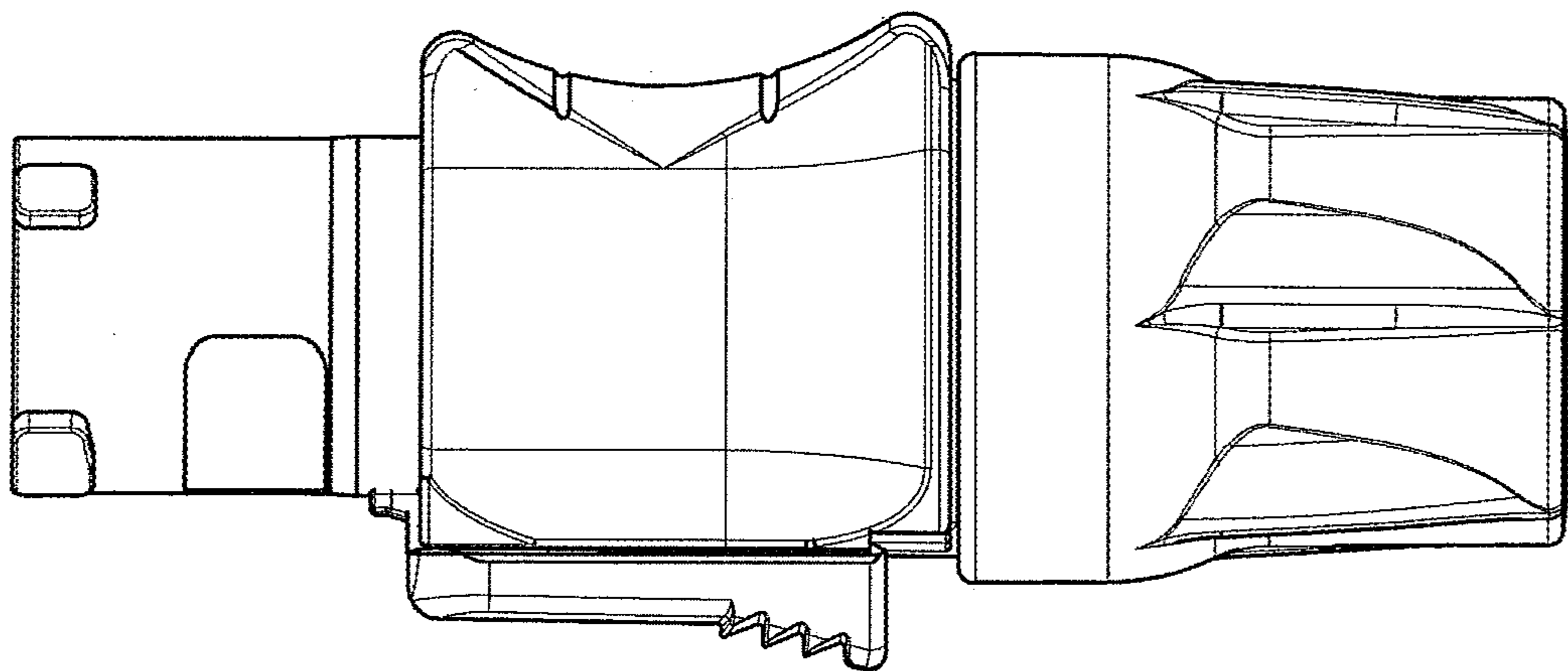


FIG. 12

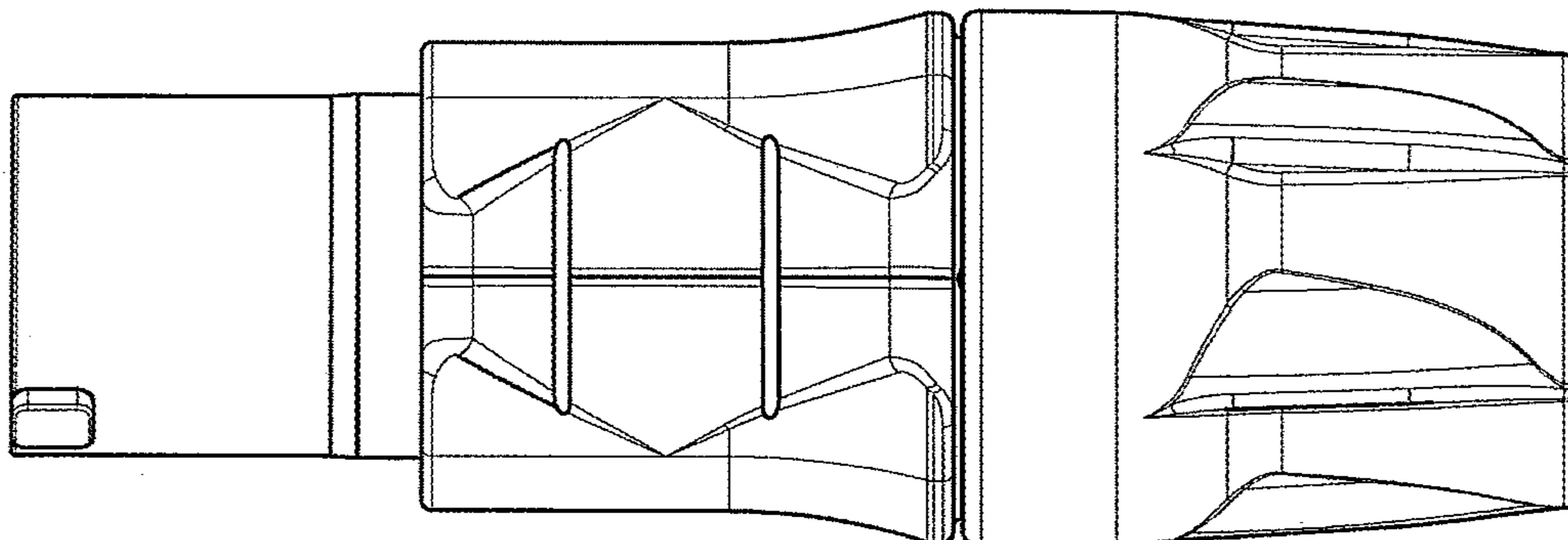


FIG. 13

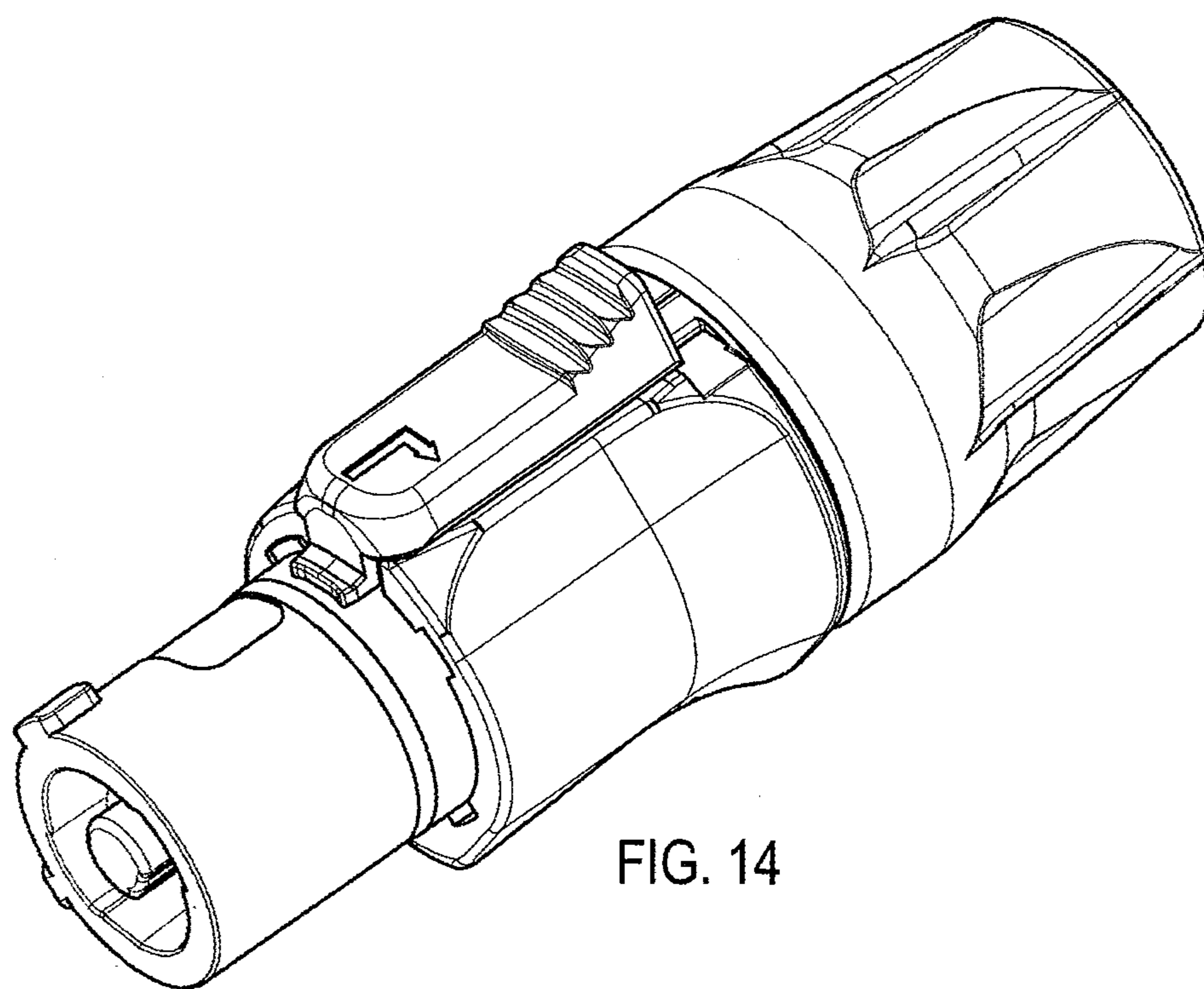


FIG. 14