



US00D778836S

(12) **United States Design Patent**
Schieck

(10) **Patent No.:** **US D778,836 S**

(45) **Date of Patent:** **** Feb. 14, 2017**

(54) **ELECTRIC MOTOR**

(71) Applicant: **BAUMUELLER NUERNBERG GMBH**, Nuremberg (DE)

(72) Inventor: **Robert Schieck**, Nuremberg (DE)

(73) Assignee: **Baum Mueller Nuernberg GmbH**, Nuremberg (DE)

(**) Term: **15 Years**

(21) Appl. No.: **29/537,500**

(22) Filed: **Aug. 26, 2015**

(30) **Foreign Application Priority Data**

Feb. 27, 2015 (EM) 2643023-0002

(51) **LOC (10) Cl.** **13-01**

(52) **U.S. Cl.**
USPC **D13/112**

(58) **Field of Classification Search**
USPC ... D13/112, 113, 114, 122, 184, 199; D15/1, D15/5; 290/36 R, 38 R, 39; 310/10, 20, 310/40 R, 40 MM, 42, 68 D, 75 R, 80, 310/83, 88, 89, 98, 109, 114
CPC H02K 5/06; H02K 5/225; H02K 11/33; H02K 9/14; H02K 7/1025; H02K 7/20918
See application file for complete search history.

(56) **References Cited**

U.S. PATENT DOCUMENTS

D200,577 S * 3/1965 Crouse et al. D13/112
D207,401 S * 4/1967 Kerr et al. D13/114

D310,816 S * 9/1990 Sawato D13/112
5,005,281 A * 4/1991 Burns H02K 15/024
29/415
D332,081 S * 12/1992 Sieber D13/112
D397,992 S * 9/1998 Shimomura D13/112
D574,325 S * 8/2008 Naghshineh D13/114
D593,943 S * 6/2009 Lannoch D13/112
D618,615 S * 6/2010 Basic D13/114
D624,015 S * 9/2010 Walker D13/112
7,965,005 B2 * 6/2011 Schmidt H02K 5/06
310/71
D664,565 S * 7/2012 Sonoda D15/5
D700,575 S * 3/2014 Andersson D13/114

* cited by examiner

Primary Examiner — Derrick Holland

(74) *Attorney, Agent, or Firm* — Laurence A. Greenberg; Werner H. Stemer; Ralph E. Locher

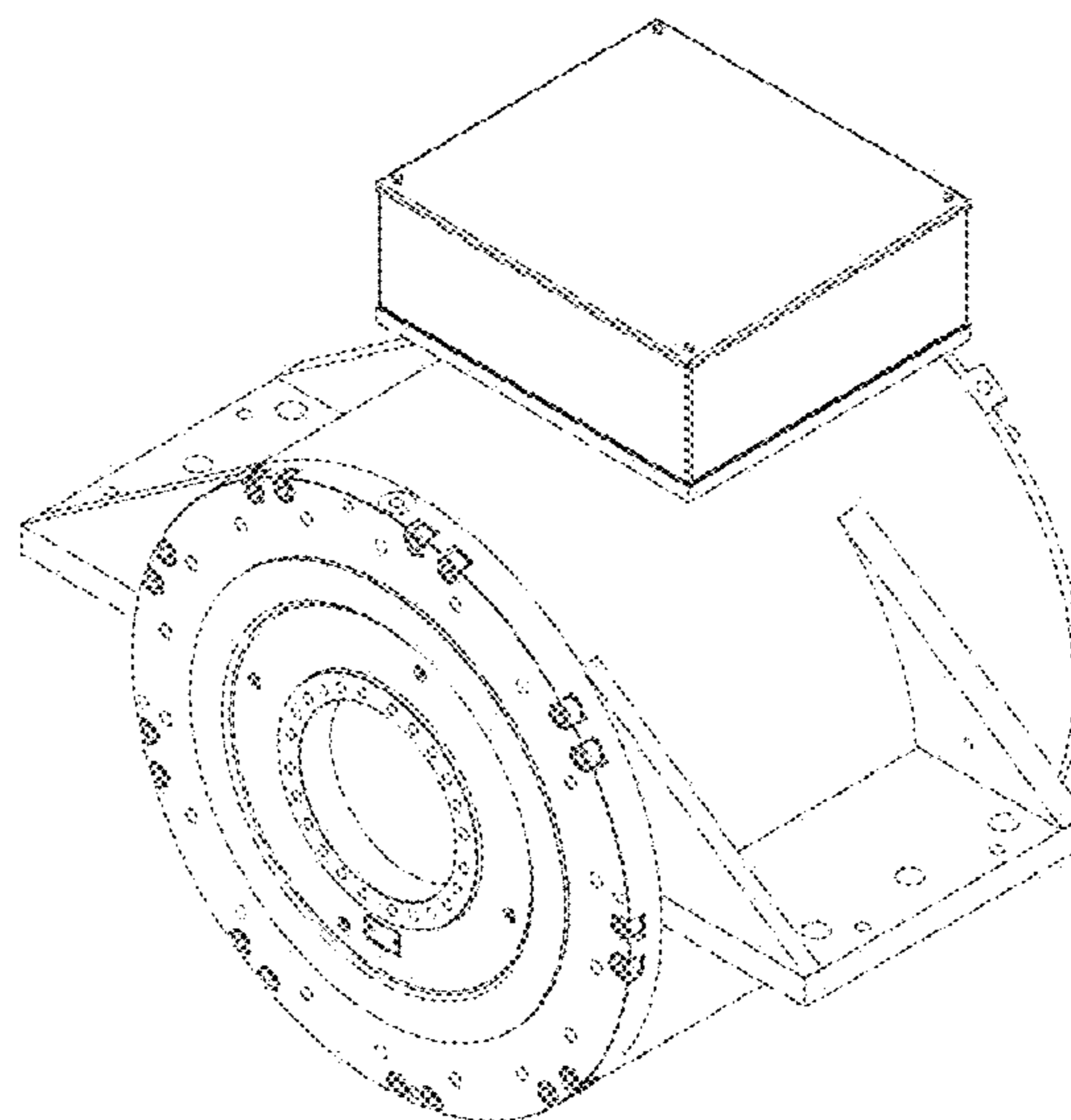
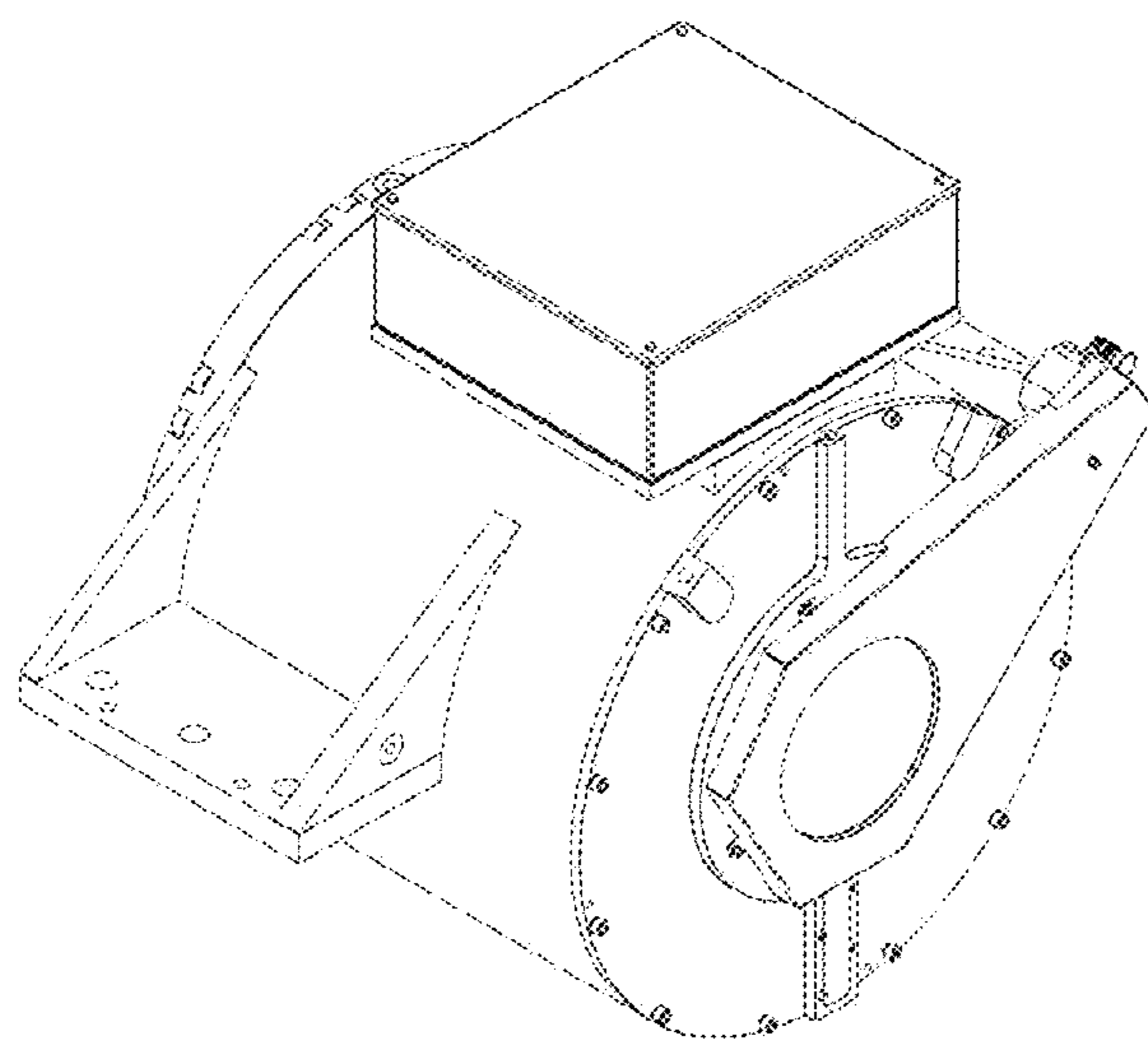
(57) **CLAIM**

The ornamental design for an electric motor, as shown and described.

DESCRIPTION

FIG. 1 is a front elevation view of an electric motor showing my new design;
FIG. 2 is a rear elevation view thereof;
FIG. 3 is a right side elevation view thereof;
FIG. 4 is a top plan view thereof;
FIG. 5 is a bottom perspective view thereof;
FIG. 6 is a rear perspective view thereof; and,
FIG. 7 is a front perspective view thereof.

1 Claim, 7 Drawing Sheets



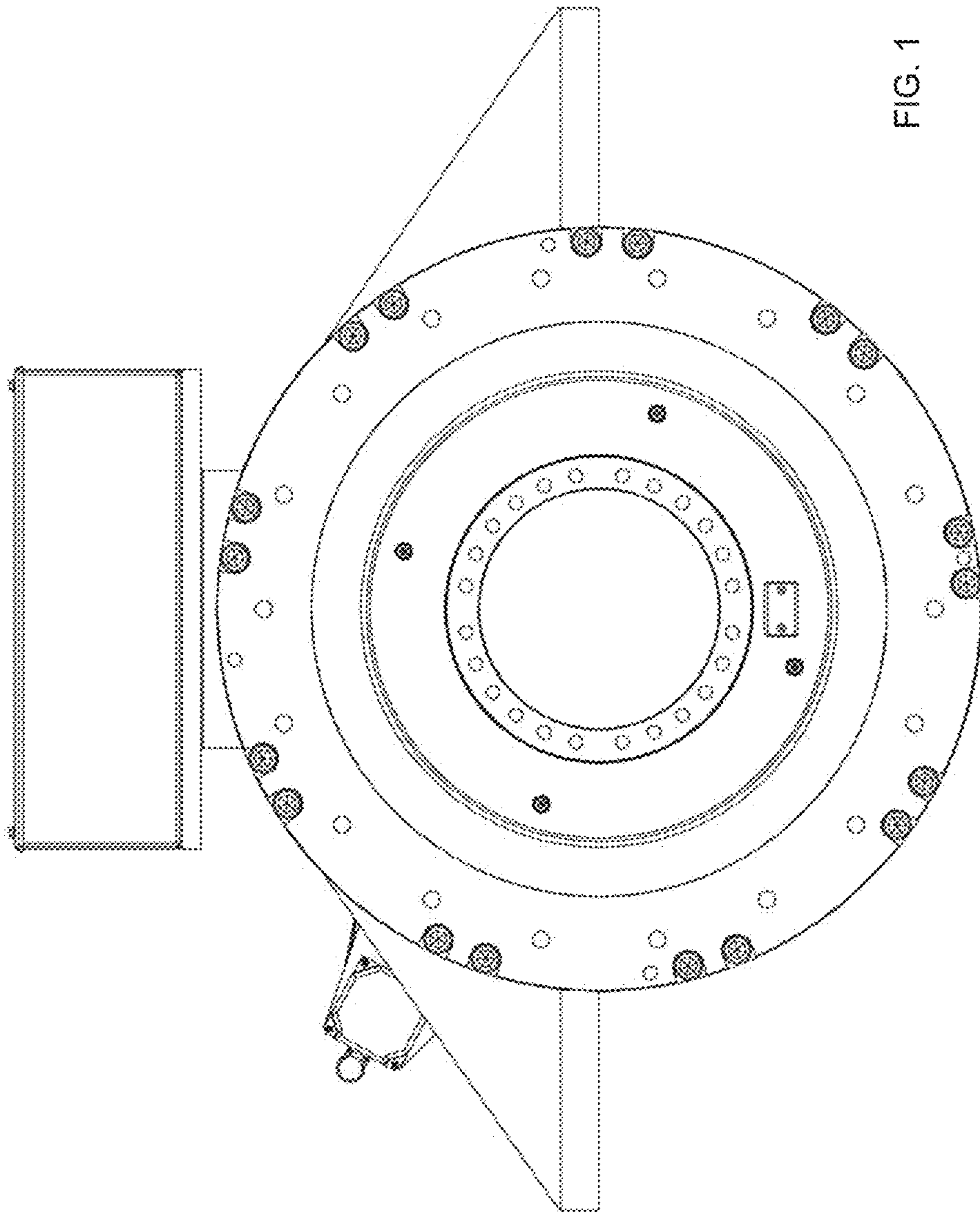


FIG. 1

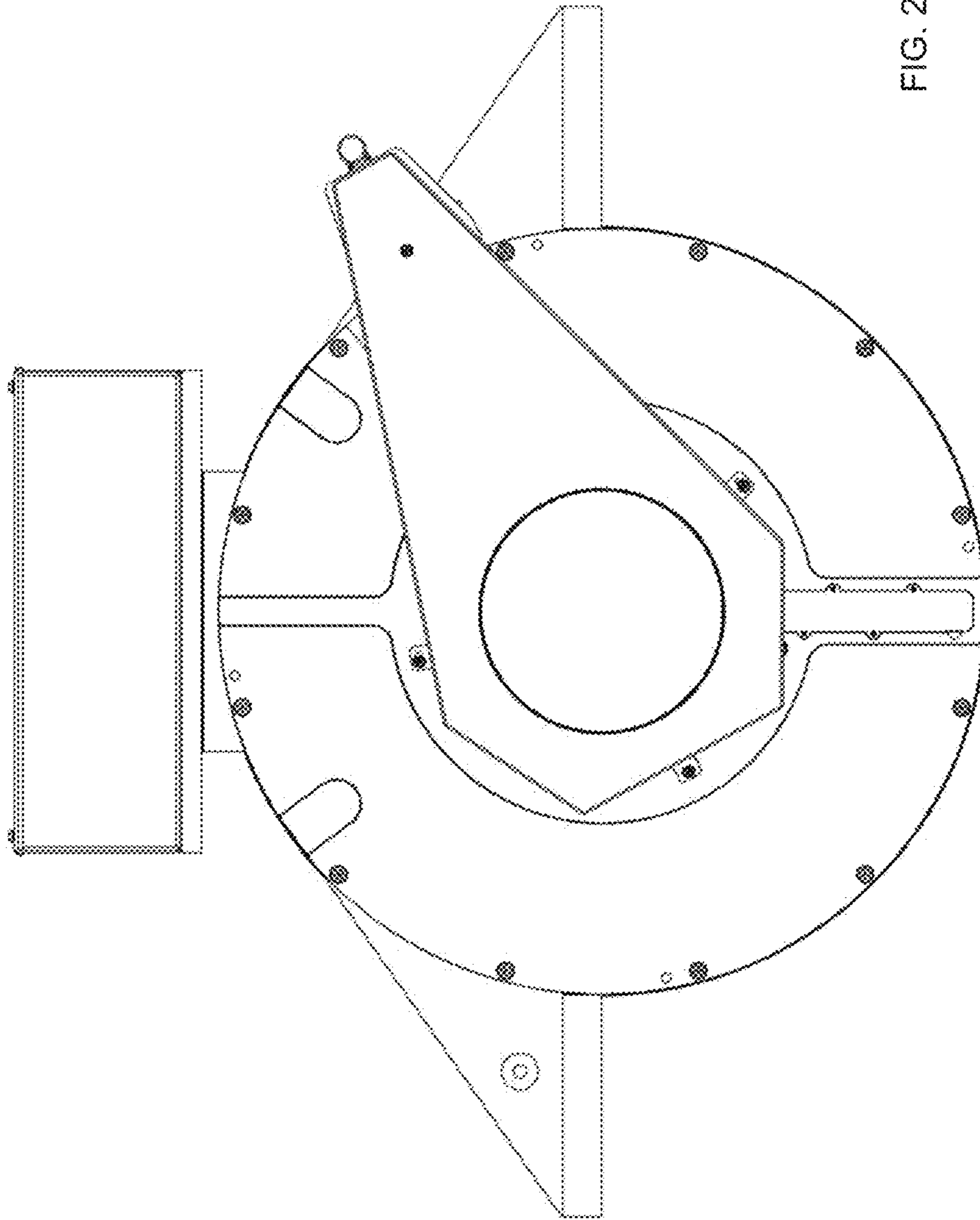


FIG. 2

FIG. 3

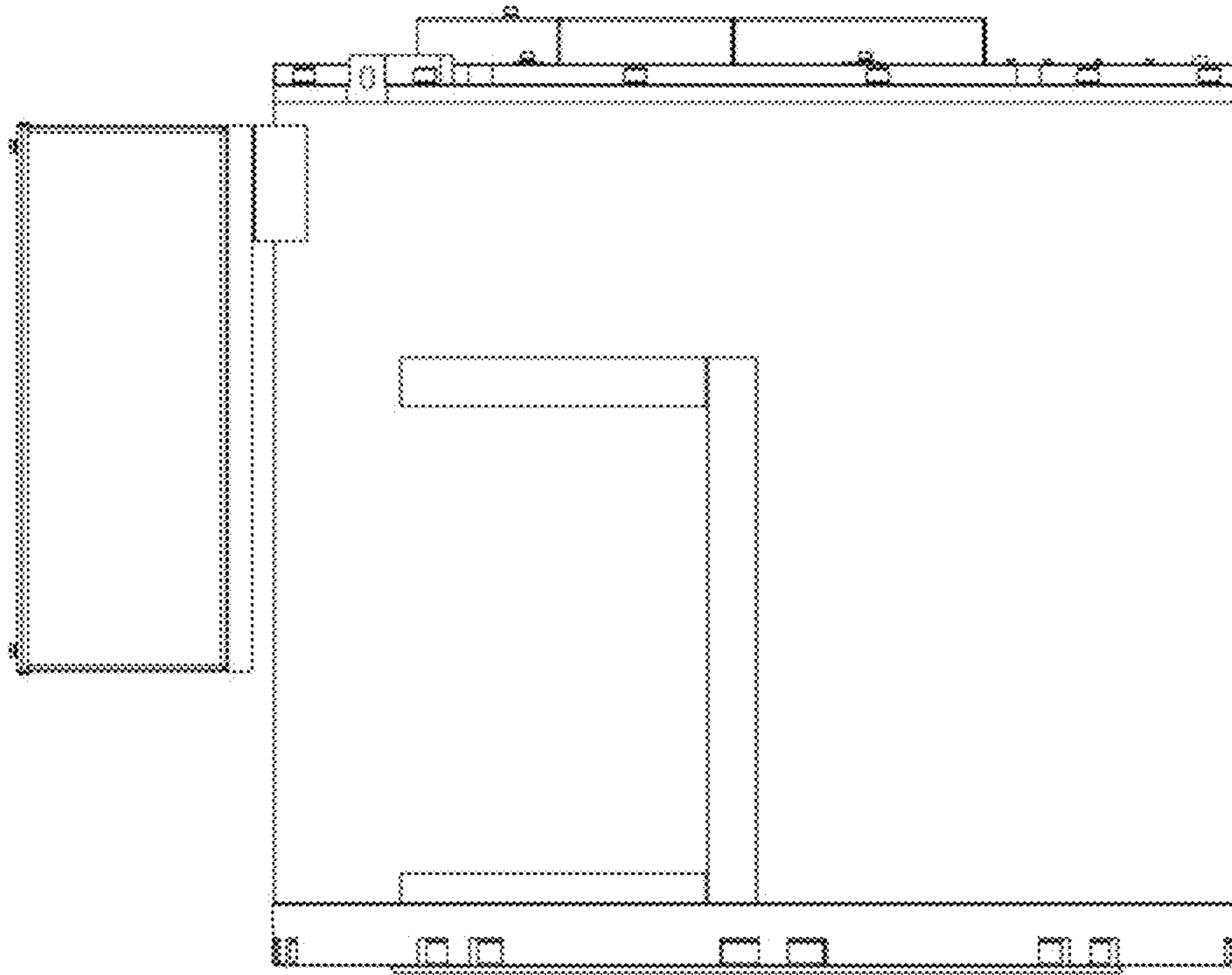
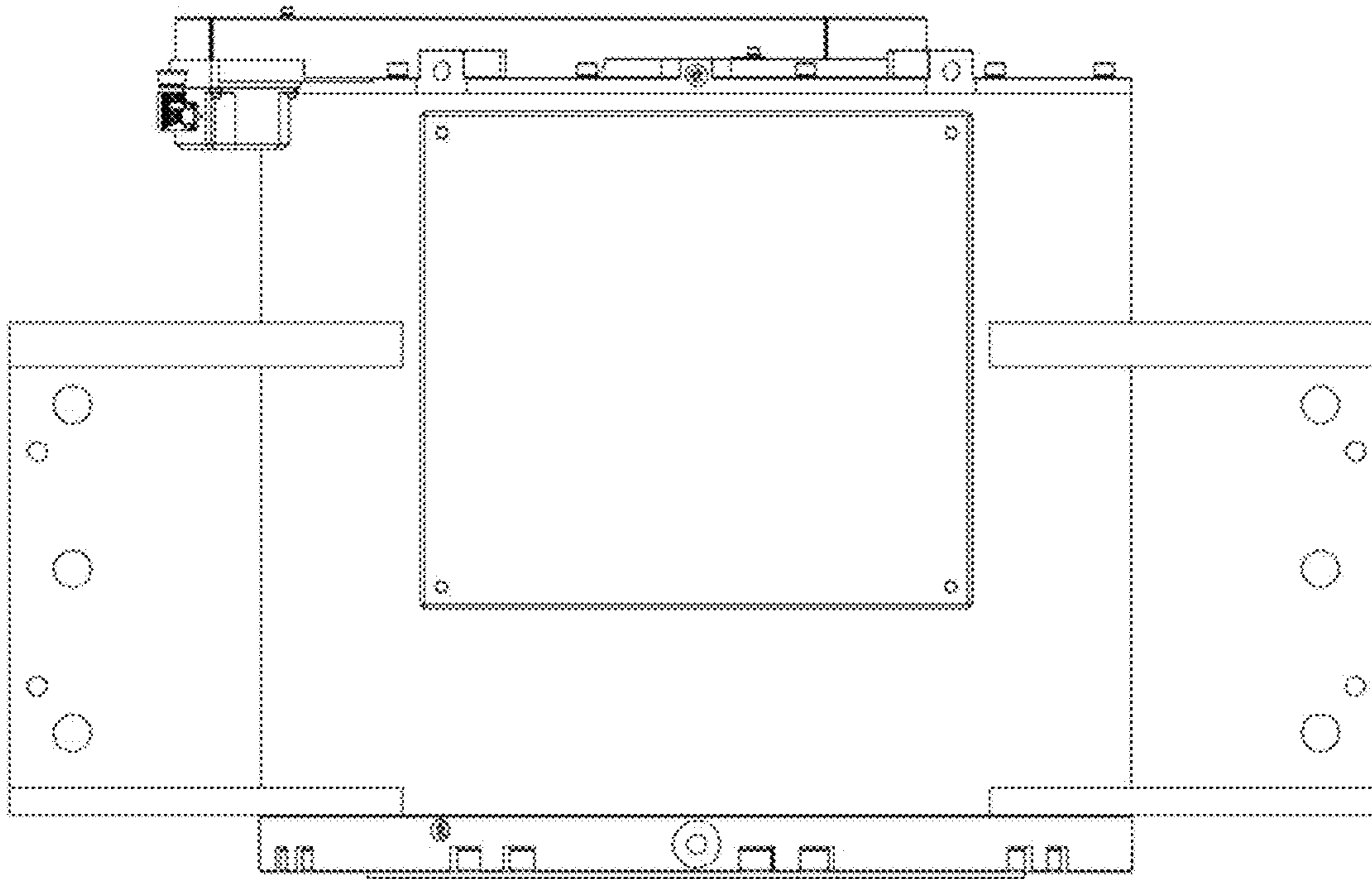


FIG. 4



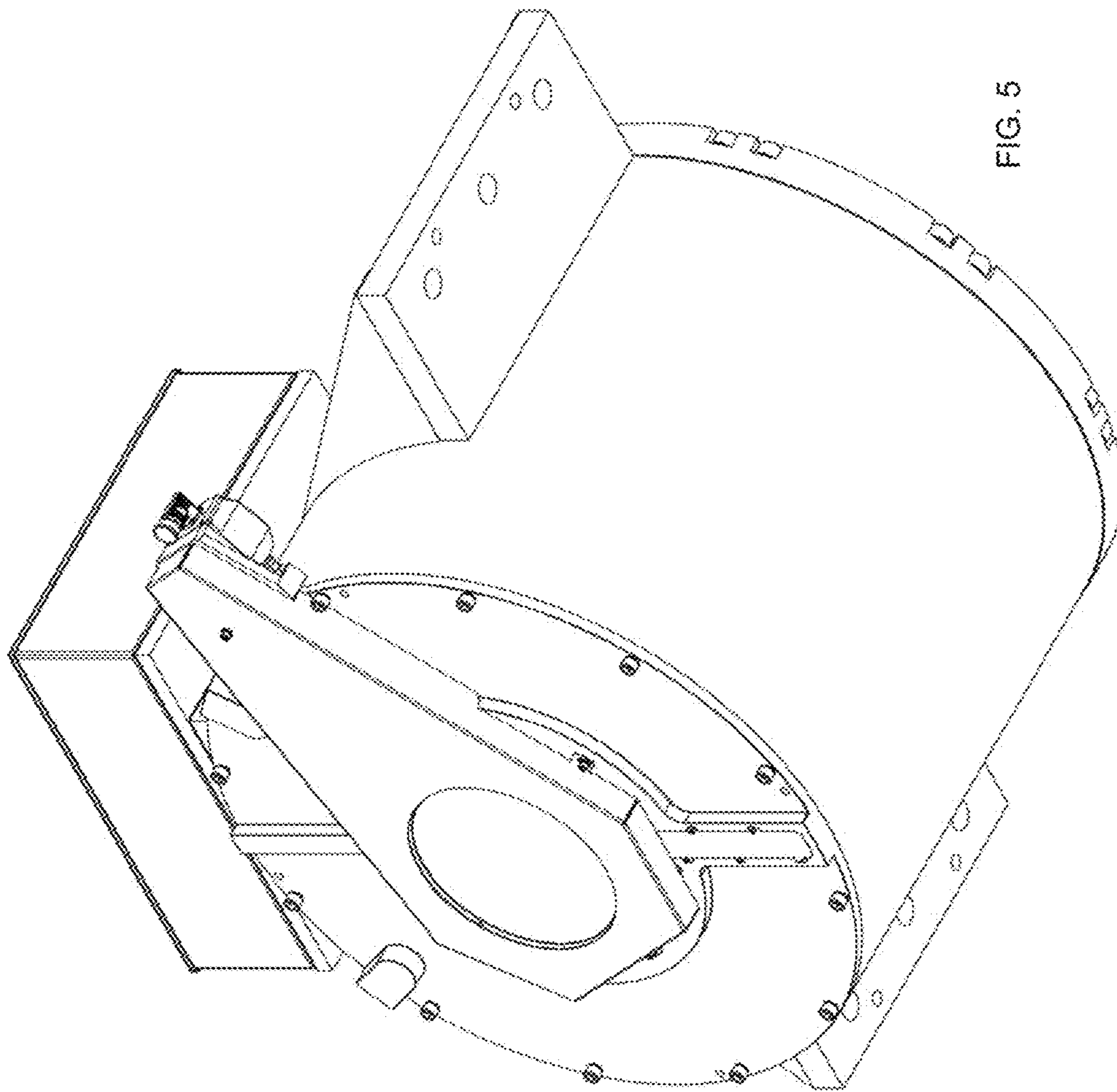


FIG. 5

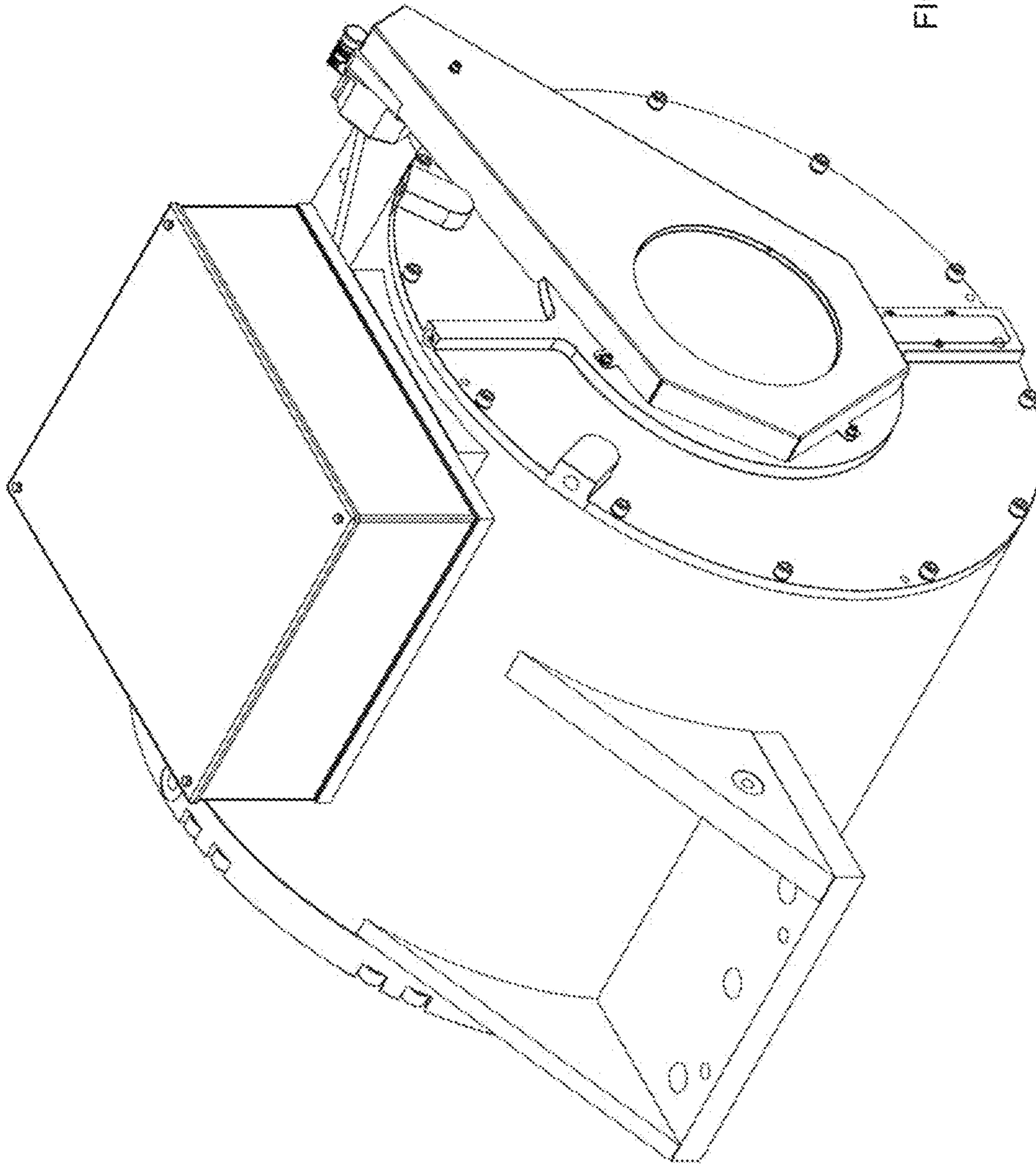


FIG. 6

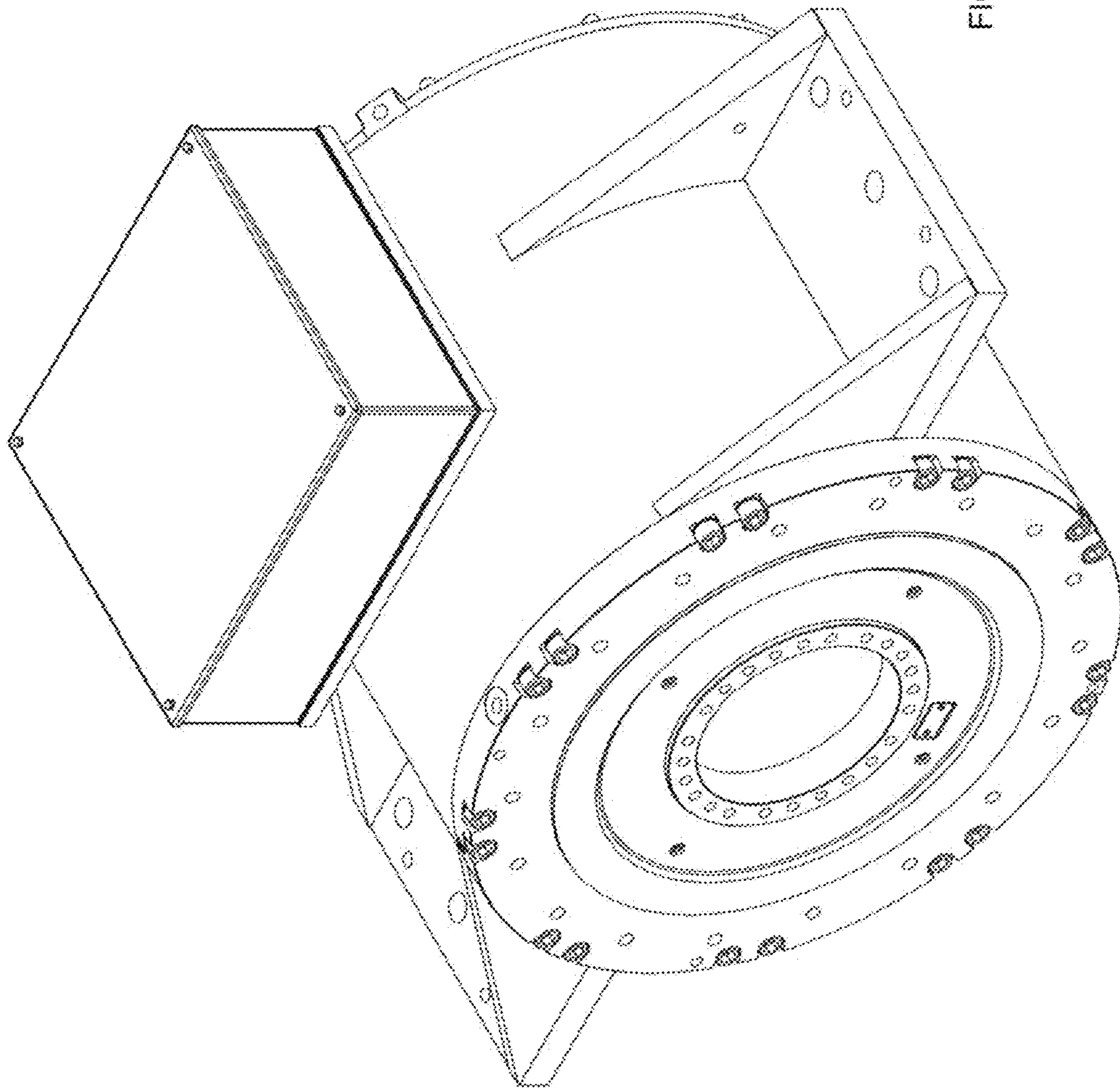


FIG. 7