



US00D778834S

(12) **United States Design Patent** (10) **Patent No.:** **US D778,834 S**  
**Holweger et al.** (45) **Date of Patent:** **\*\* Feb. 14, 2017**

(54) **CHARGER APPARATUS**

(71) Applicant: **Lester Electrical**, Lincoln, NE (US)  
(72) Inventors: **Scott M. Holweger**, Lincoln, NE (US);  
**Daniel R. Barsell**, Omaha, NE (US);  
**David A. Biere**, Kearney, NE (US)  
(73) Assignee: **Lester Electrical**, Lincoln, NE (US)  
(\*\*) Term: **15 Years**

(21) Appl. No.: **29/553,790**

(22) Filed: **Feb. 4, 2016**

(51) **LOC (10) Cl.** ..... **13-02**

(52) **U.S. Cl.**  
USPC ..... **D13/110**

(58) **Field of Classification Search**  
USPC ..... D13/110, 103, 107, 108, 123, 133,  
D13/137.1, 138.1, 139.1, 144, 199;  
174/53, 54, 59, 61; 307/150, 151;  
320/111, 114; 363/132, 140, 363/142,  
363/143, 146; 439/105, 131, 166,  
439/171-173, 218, 222, 345, 518, 692,  
439/956; D14/240, 251, 253, 432, 433,  
D14/434  
CPC ..... H01R 13/00; H01R 13/44; H01R 25/00;  
H01R 27/00; H01R 27/02; H01R 31/06;  
H01R 31/065; H02J 1/00; H02J  
7/00; H02J 7/0044

See application file for complete search history.

(56) **References Cited**

U.S. PATENT DOCUMENTS

5,494,449	A *	2/1996	Chioo .....	H01R 13/5213
				439/131
D596,562	S *	7/2009	Hong .....	D13/108
D660,229	S *	5/2012	Tseng .....	D13/110
D702,182	S *	4/2014	Druker .....	D13/110
D714,293	S *	9/2014	Kelly .....	D14/433
D734,261	S *	7/2015	Kelly .....	D13/110

\* cited by examiner

*Primary Examiner* — Derrick Holland

(74) *Attorney, Agent, or Firm* — Suiter Swantz pc llo

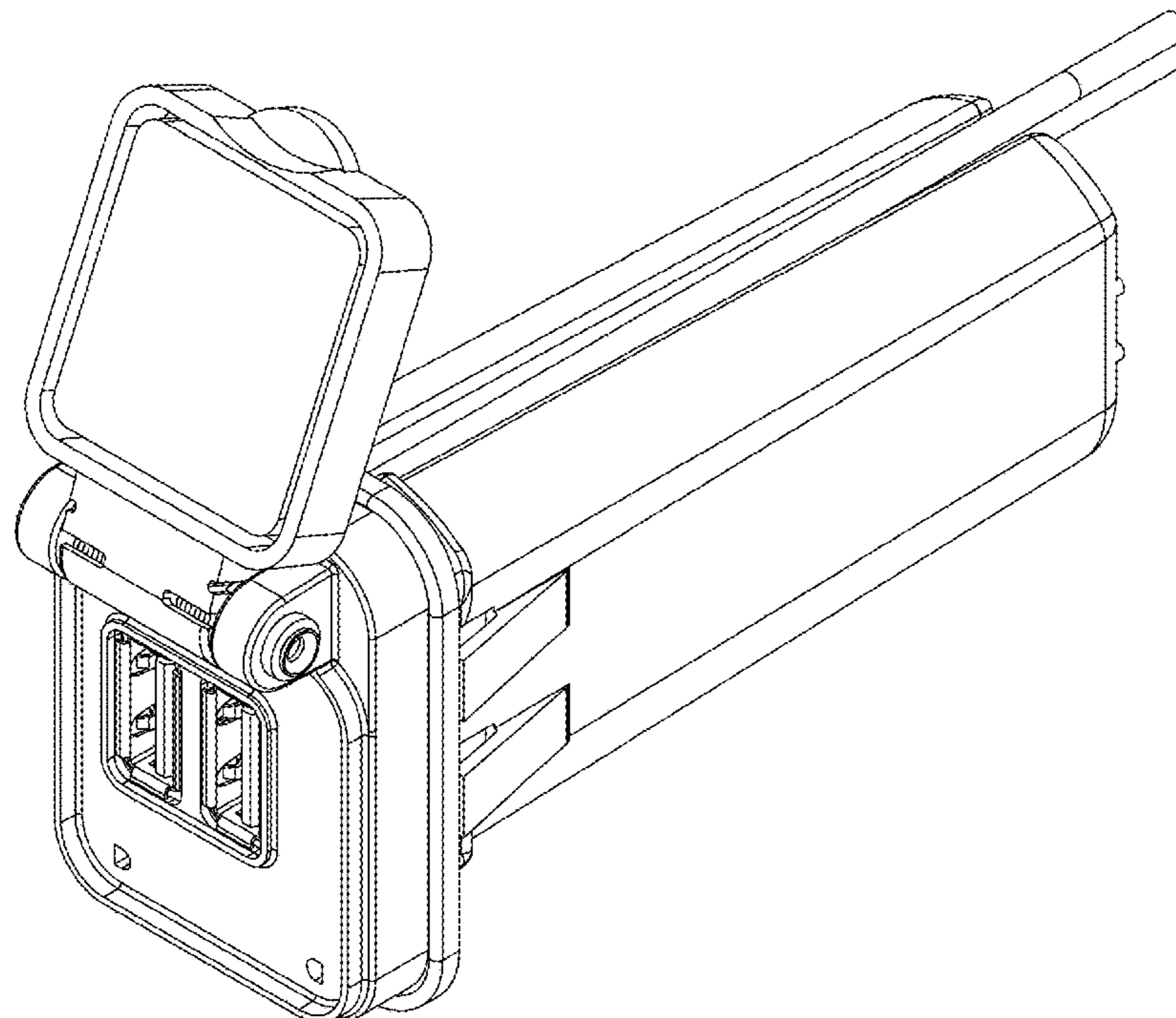
(57) **CLAIM**

The ornamental design for a charger apparatus, as shown and described.

**DESCRIPTION**

FIG. 1 is a perspective view of a charger apparatus showing our new design;  
FIG. 2 is a top plan view thereof;  
FIG. 3 is a front elevation view thereof;  
FIG. 4 is a first side elevation view thereof;  
FIG. 5 is a rear elevation view thereof;  
FIG. 6 is a second side elevation view thereof; and,  
FIG. 7 is a bottom plan view thereof.  
The broken lines shown represent unclaimed subject matter and form no part of the claimed design.

**1 Claim, 7 Drawing Sheets**



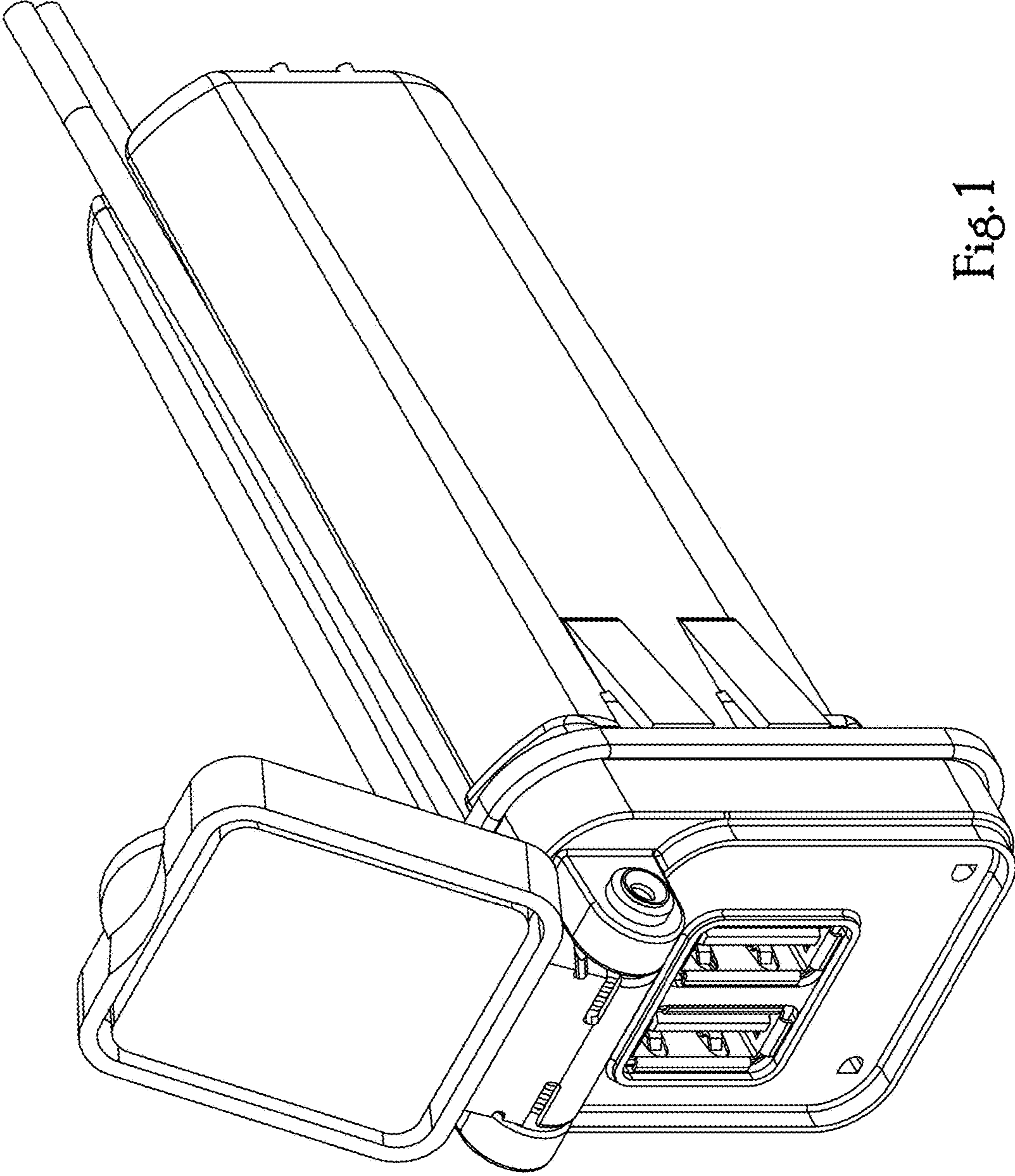


Fig. 1

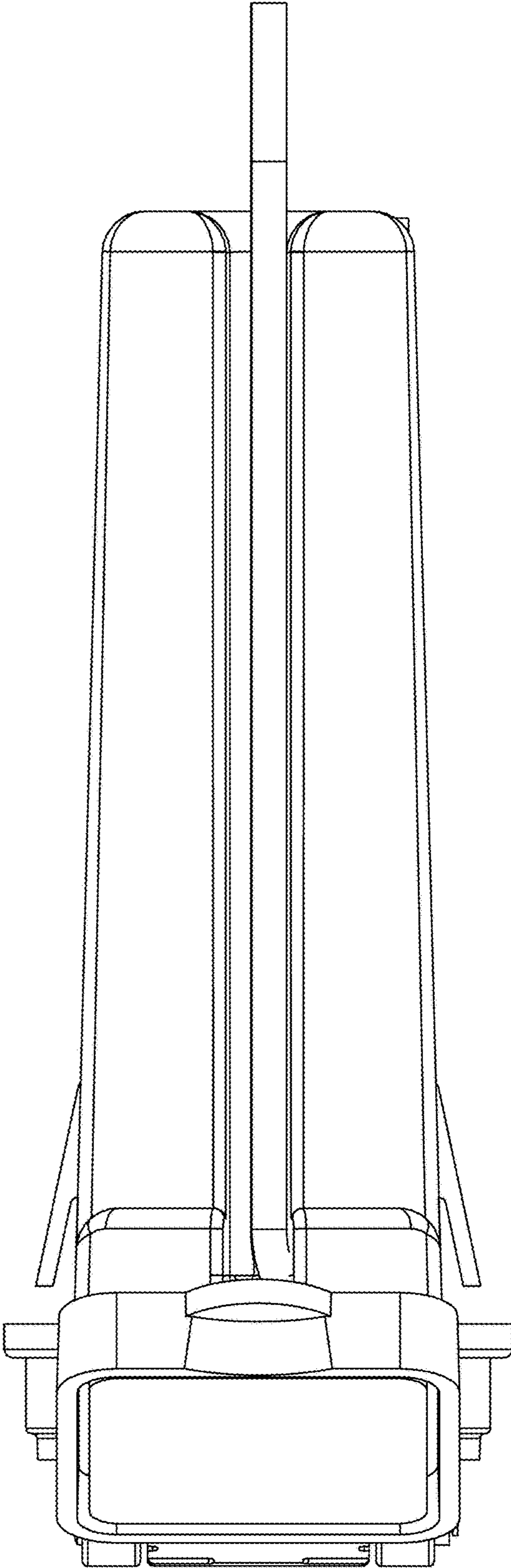


Fig. 2

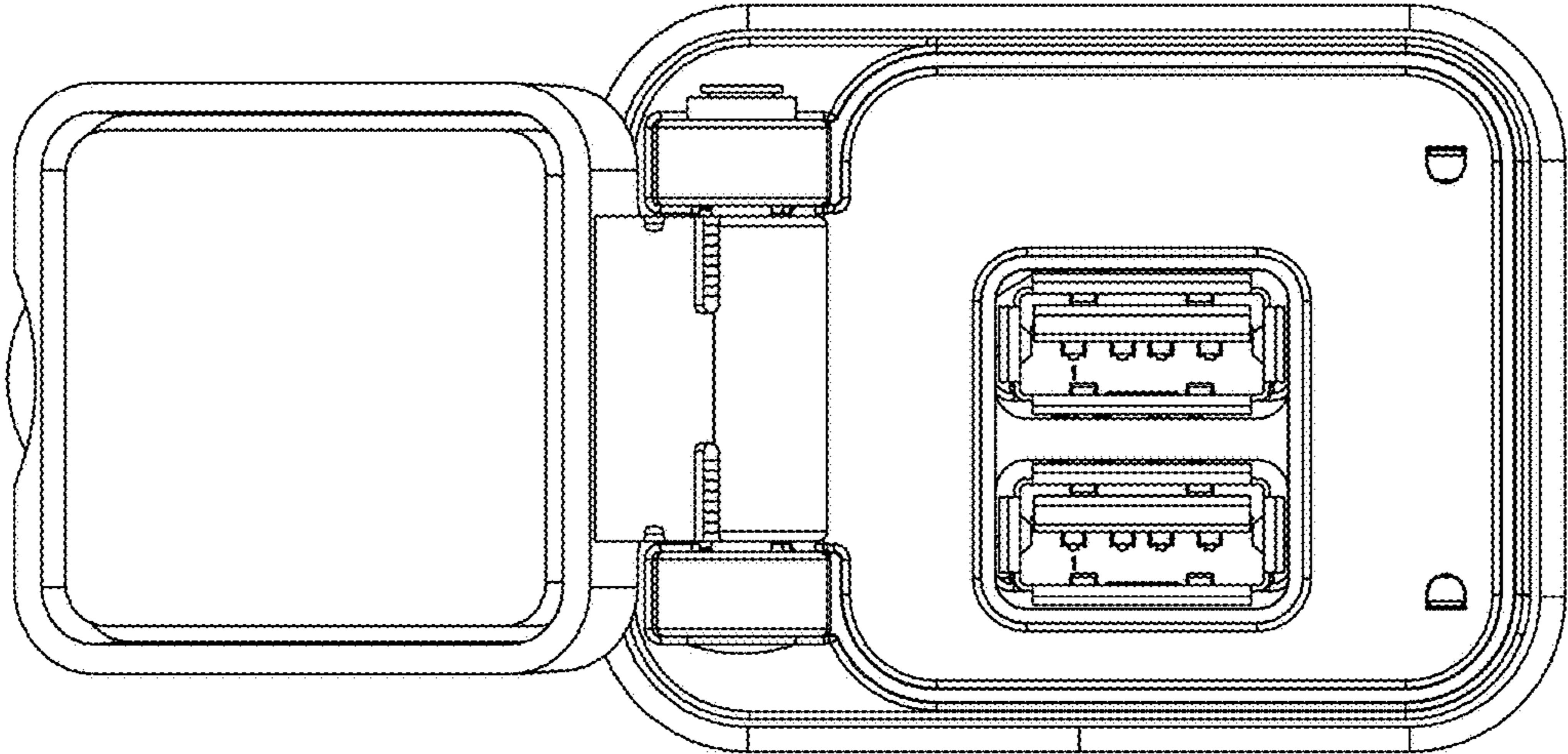


Fig. 3

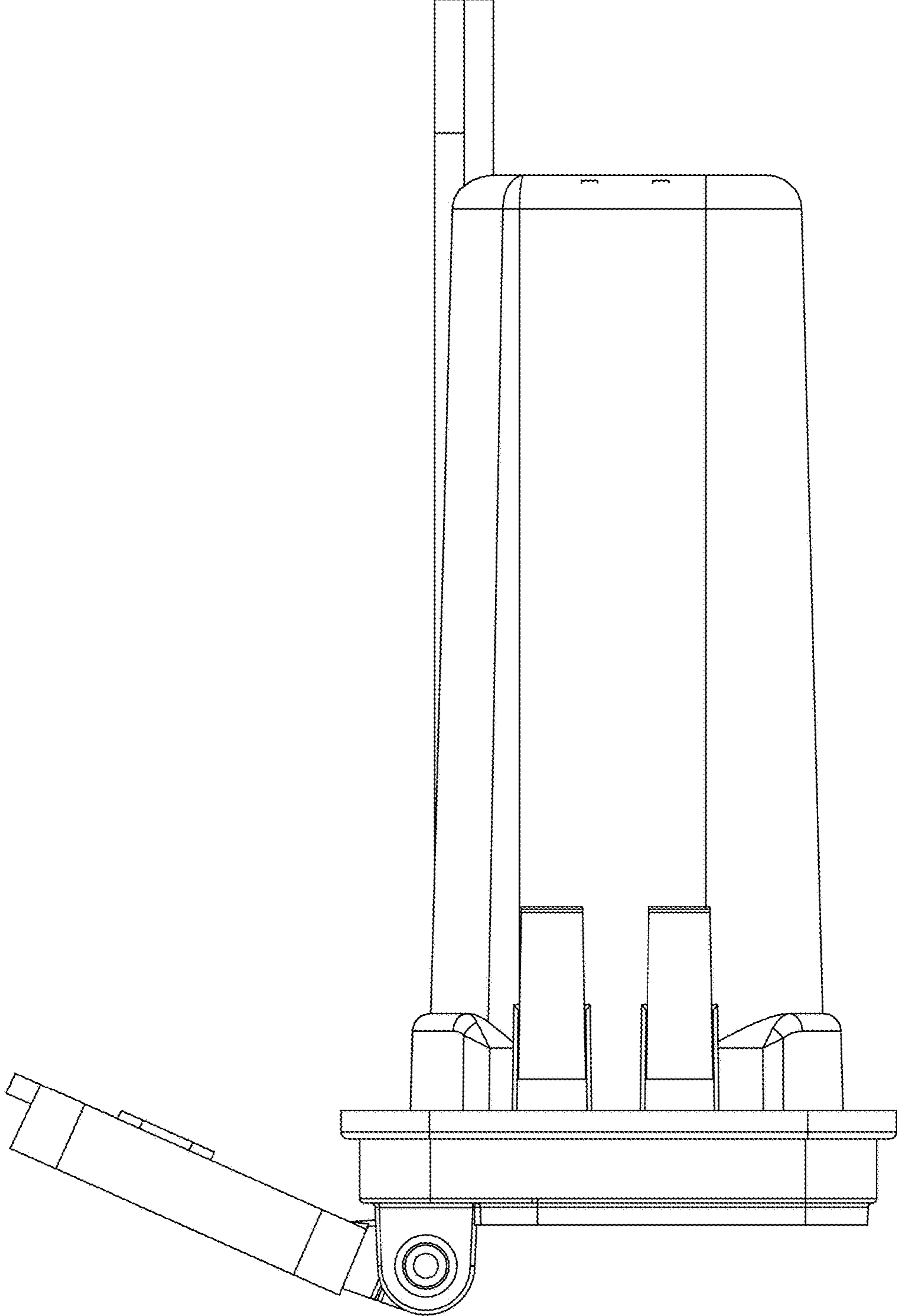


Fig. 4

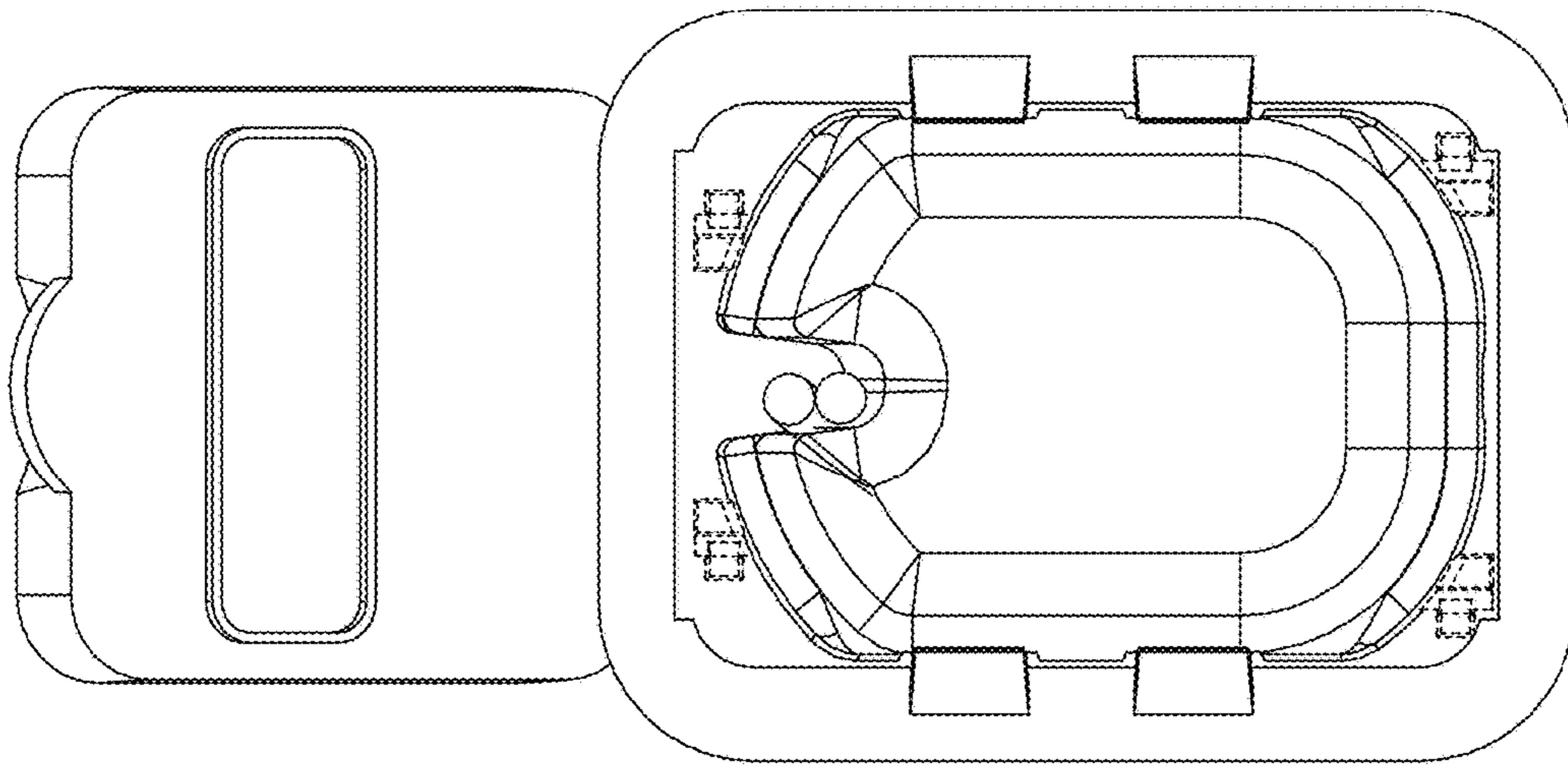


Fig. 5

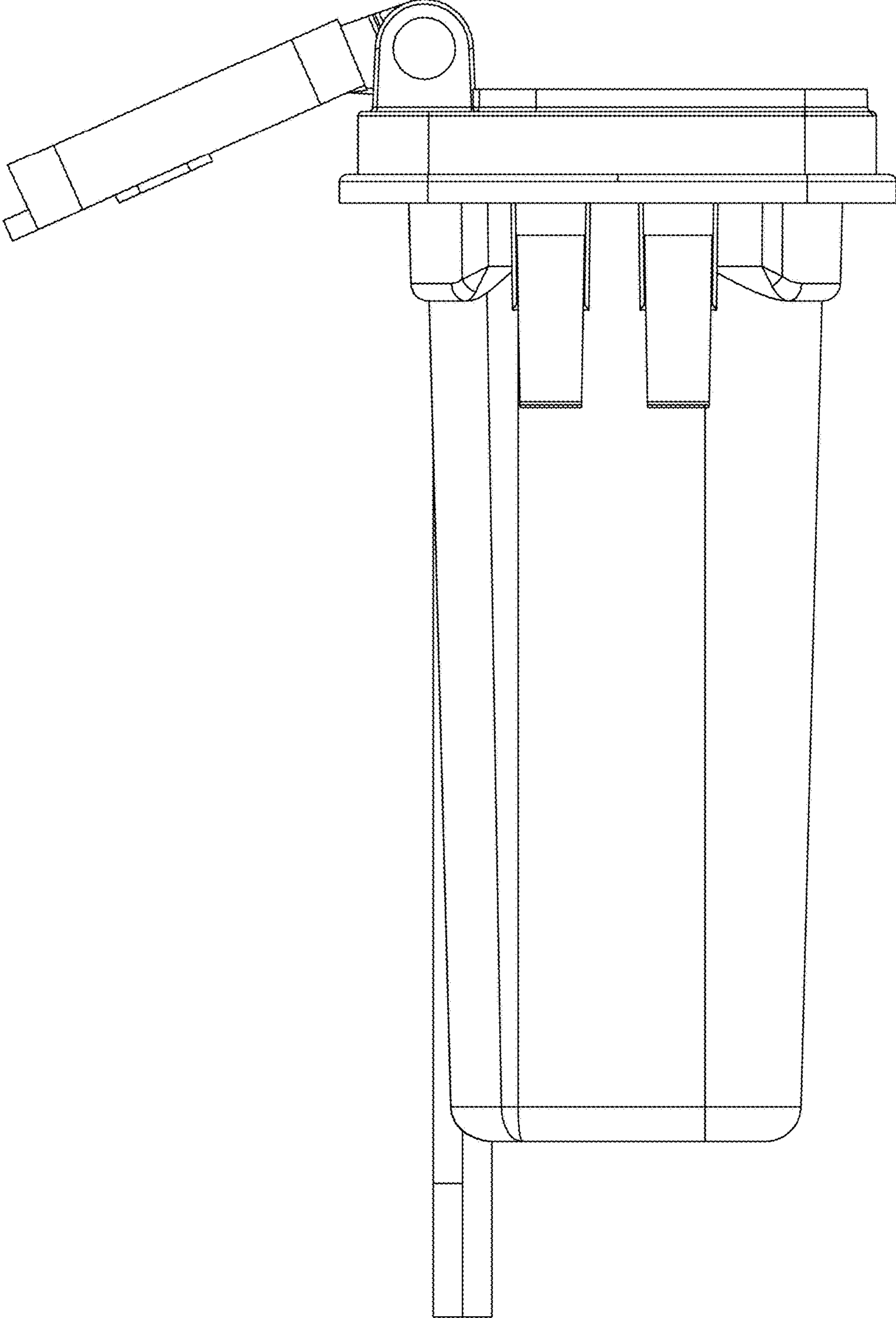


Fig. 6

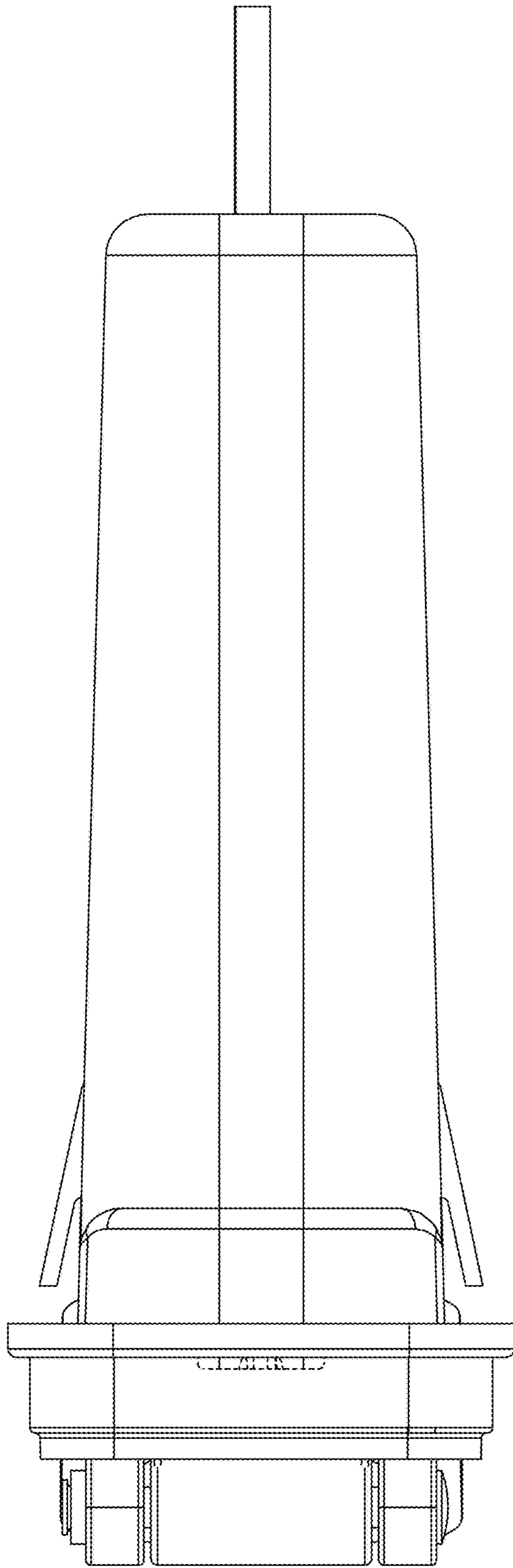


Fig. 7