



US00D778833S

(12) **United States Design Patent** (10) **Patent No.:** **US D778,833 S**
Li et al. (45) **Date of Patent:** **** Feb. 14, 2017**

(54) **ELECTRONIC BALLAST**

(56) **References Cited**

(71) Applicant: **QINGDAO MEFINE ELECTRONICS TECHNOLOGY CO., LTD.**, Qingdao (CN)

U.S. PATENT DOCUMENTS

(72) Inventors: **Yongshan Li**, Qingdao (CN); **Renjie Zhang**, Qingdao (CN); **Xin Yang**, Qingdao (CN)

D260,688 S *	9/1981	Wotowiec	D26/142
D369,781 S *	5/1996	Schadhauser	D13/134
D427,147 S *	6/2000	Wei	D13/110
D427,969 S *	7/2000	Wei	D13/110
D546,282 S *	7/2007	Wardenburg	D13/110
7,304,852 B2 *	12/2007	Hernandez	H05K 7/20409 174/50

(73) Assignee: **QINGDAO MEFINE ELECTRONICS TECHNOLOGY CO., LTD.**, Shandong Province (CN)

* cited by examiner

(**) Term: **14 Years**

Primary Examiner — Derrick Holland

(21) Appl. No.: **29/523,232**

(74) *Attorney, Agent, or Firm* — J.C. Patents

(22) Filed: **Apr. 7, 2015**

(51) **LOC (10) Cl.** **13-02**

(52) **U.S. Cl.**
USPC **D13/110**

(58) **Field of Classification Search**
USPC D13/110, 108, 118, 123, 162, 168, 169, D13/174, 177, 184, 199; D14/257, 432, D14/438; 174/16.3, 17 R, 17.08; 361/600, 361/601, 690, 694, 695, 679.01, 679.61, 361/704, 730; 363/141, 142
CPC H05K 5/00; H05K 5/02; H05K 5/0247; H05K 7/00; H05K 7/20; H05K 7/20136; H05K 7/20154; H05K 7/209; H02M 7/00; H02M 7/003; H02J 7/0042
See application file for complete search history.

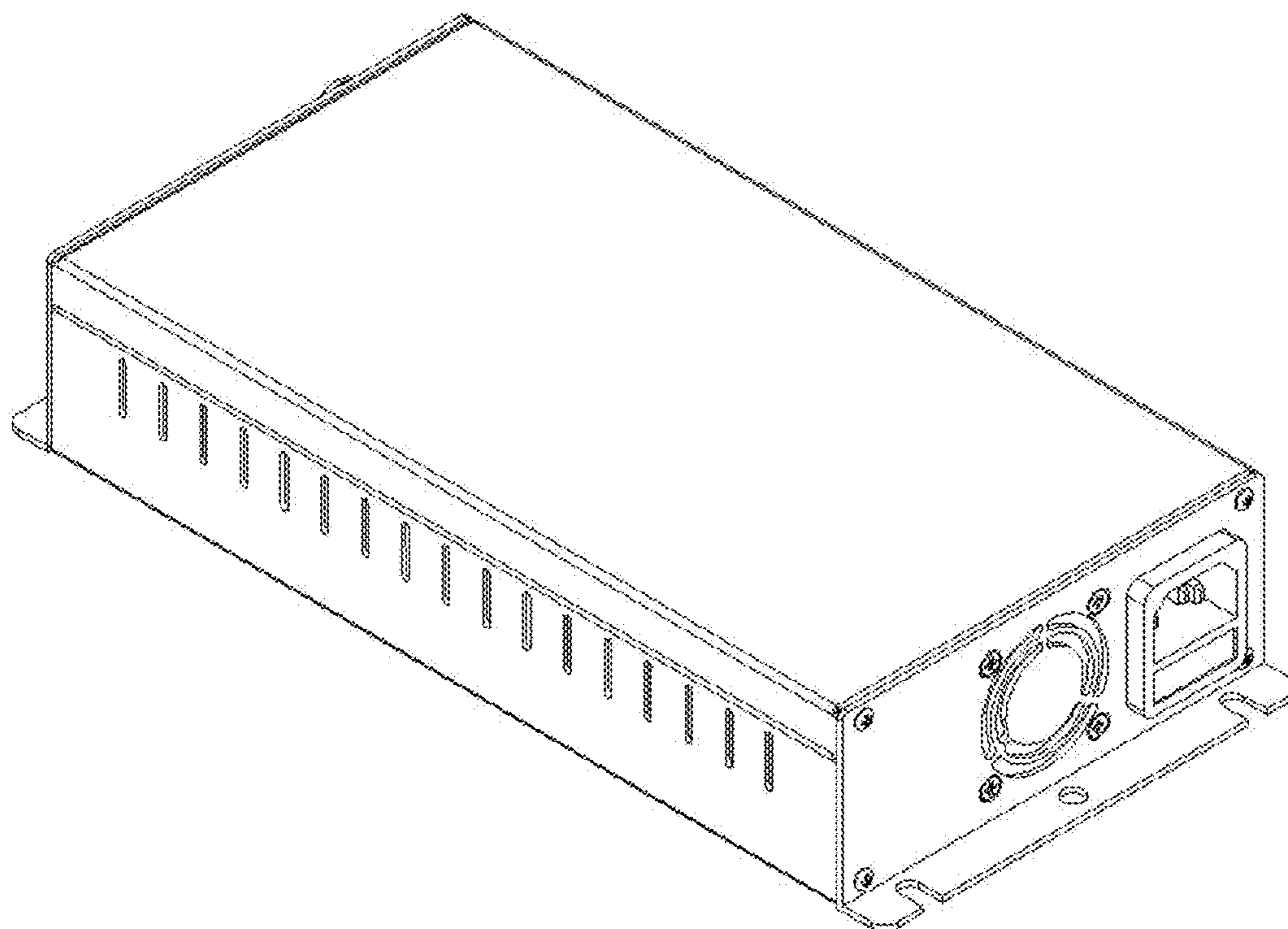
(57) **CLAIM**

The ornamental design for an electronic ballast, as shown and described.

DESCRIPTION

FIG. 1 is a top, right, and front perspective view of an electronic ballast showing our new design; FIG. 2 is a front elevational view thereof; FIG. 3 is a rear elevational view thereof; FIG. 4 is a right side elevational view thereof; FIG. 5 is a left side elevational view thereof; FIG. 6 is a top plan view thereof; FIG. 7 is a bottom plan view thereof; and, FIG. 8 is a top, left, and rear perspective view.

1 Claim, 6 Drawing Sheets



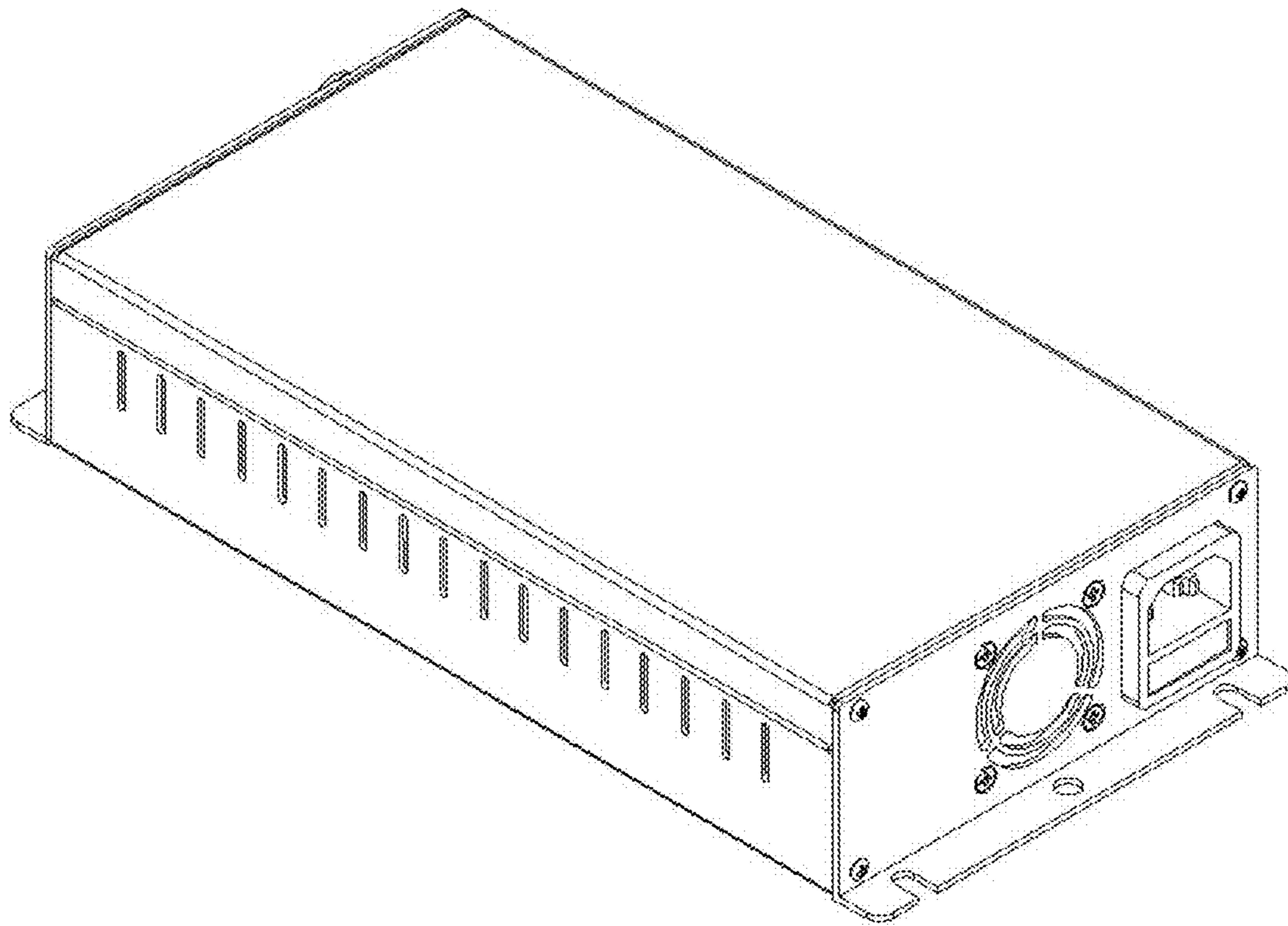


FIG. 1

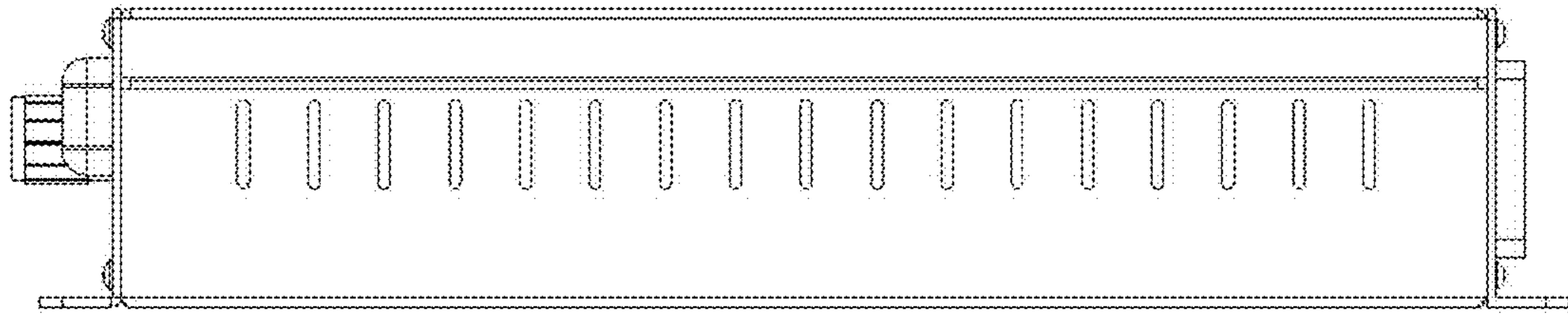


FIG. 2

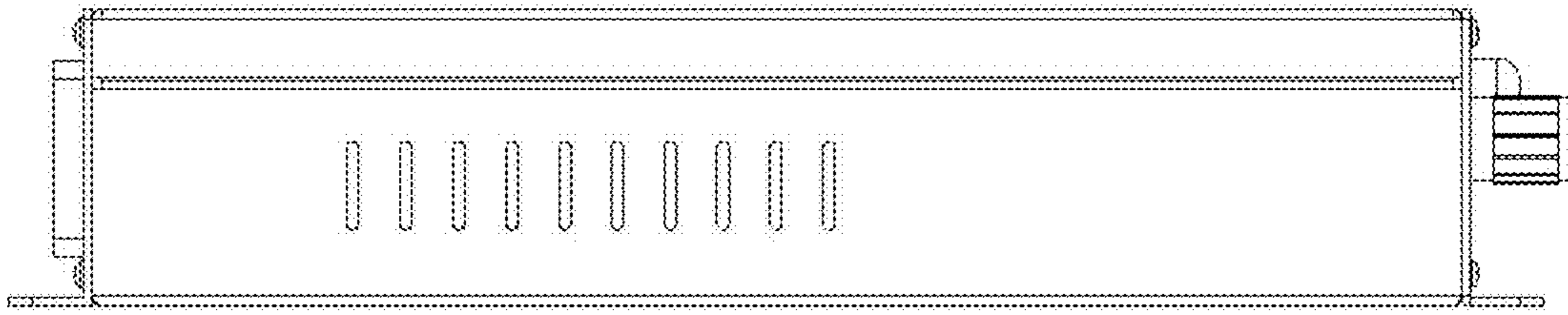


FIG. 3

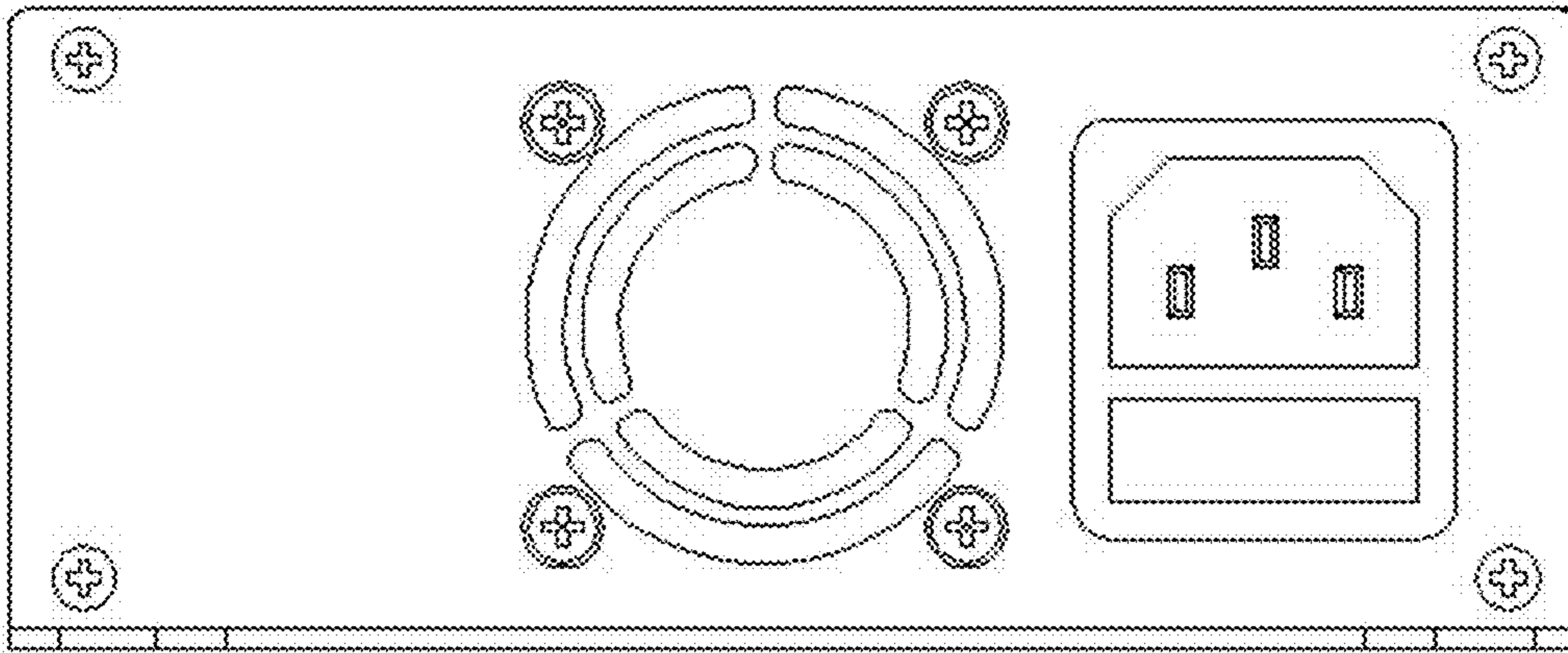


FIG. 4

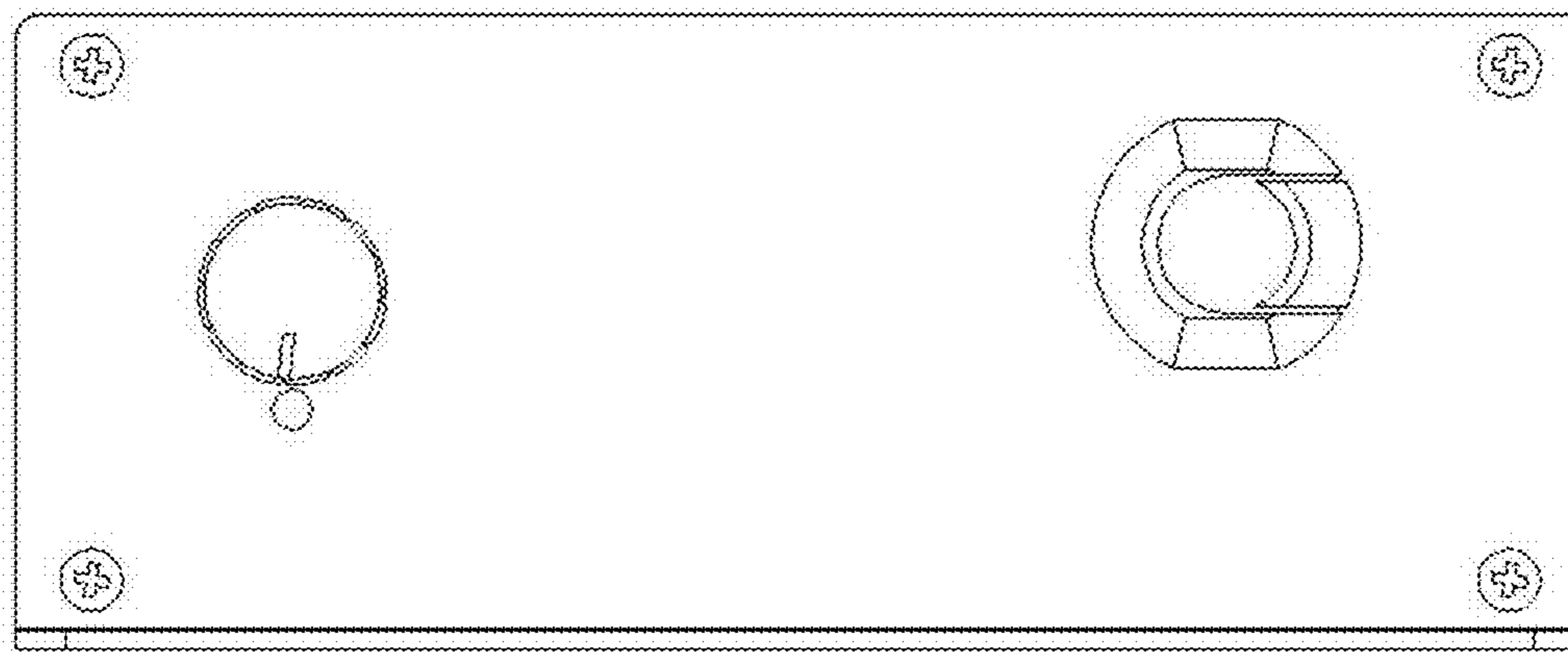


FIG. 5

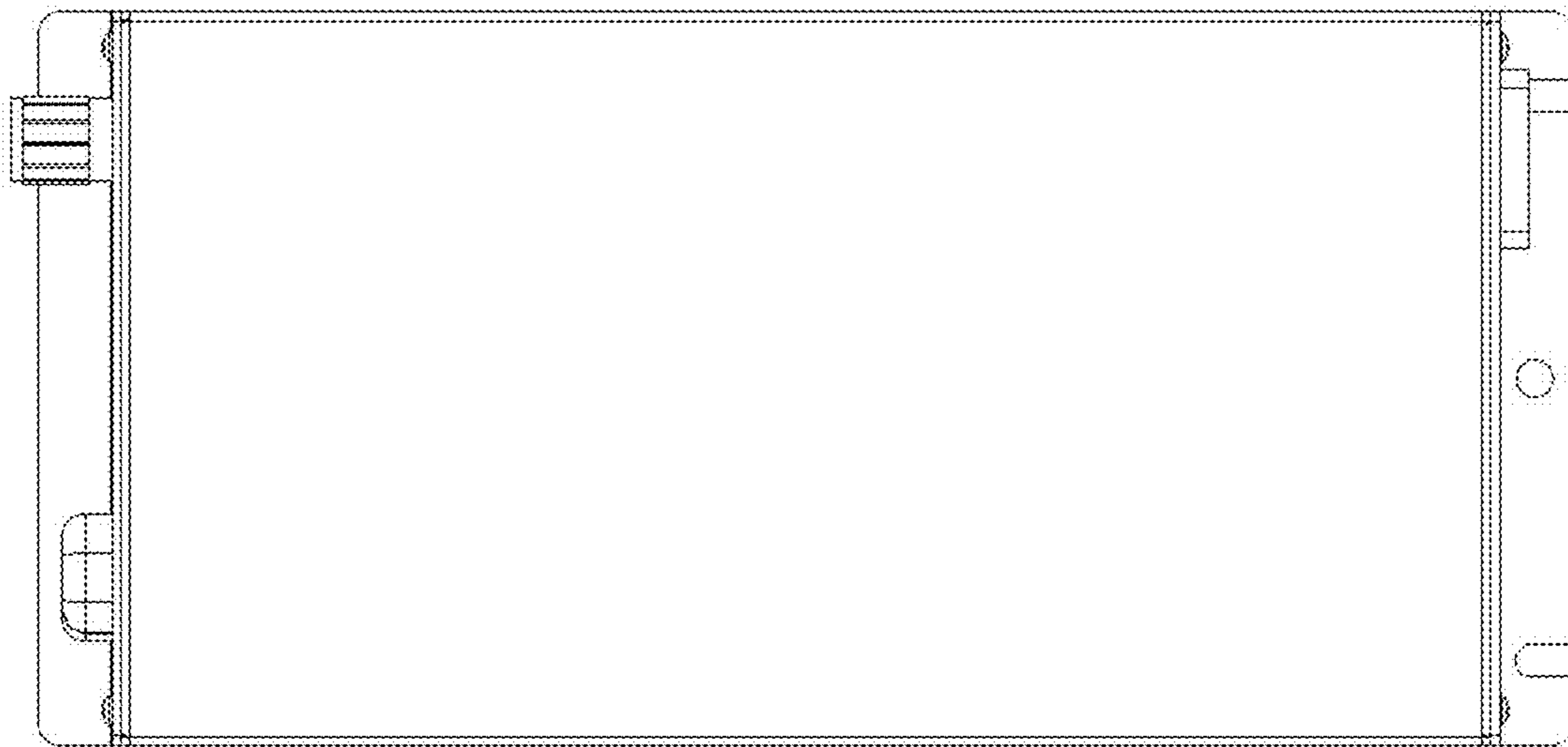


FIG. 6

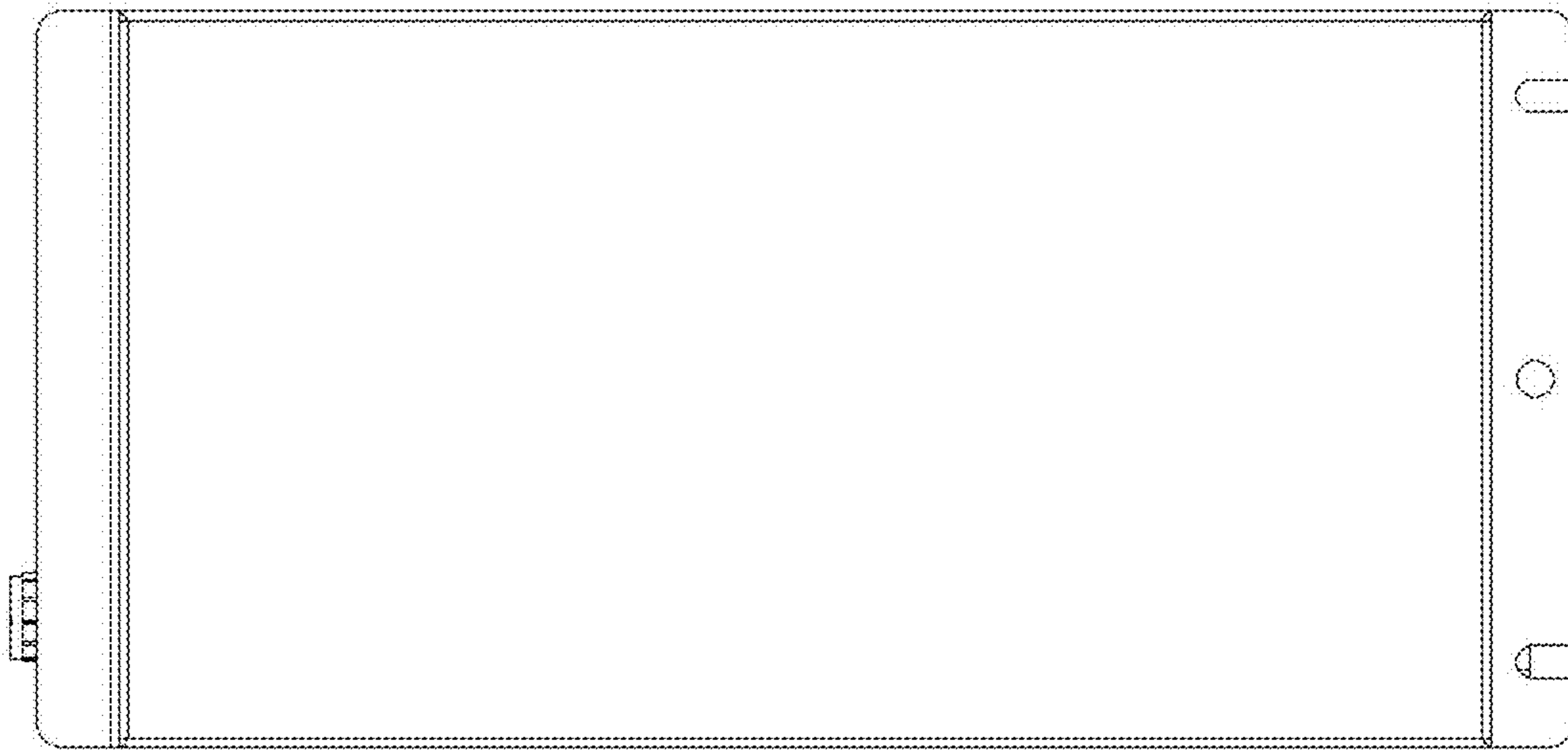


FIG. 7

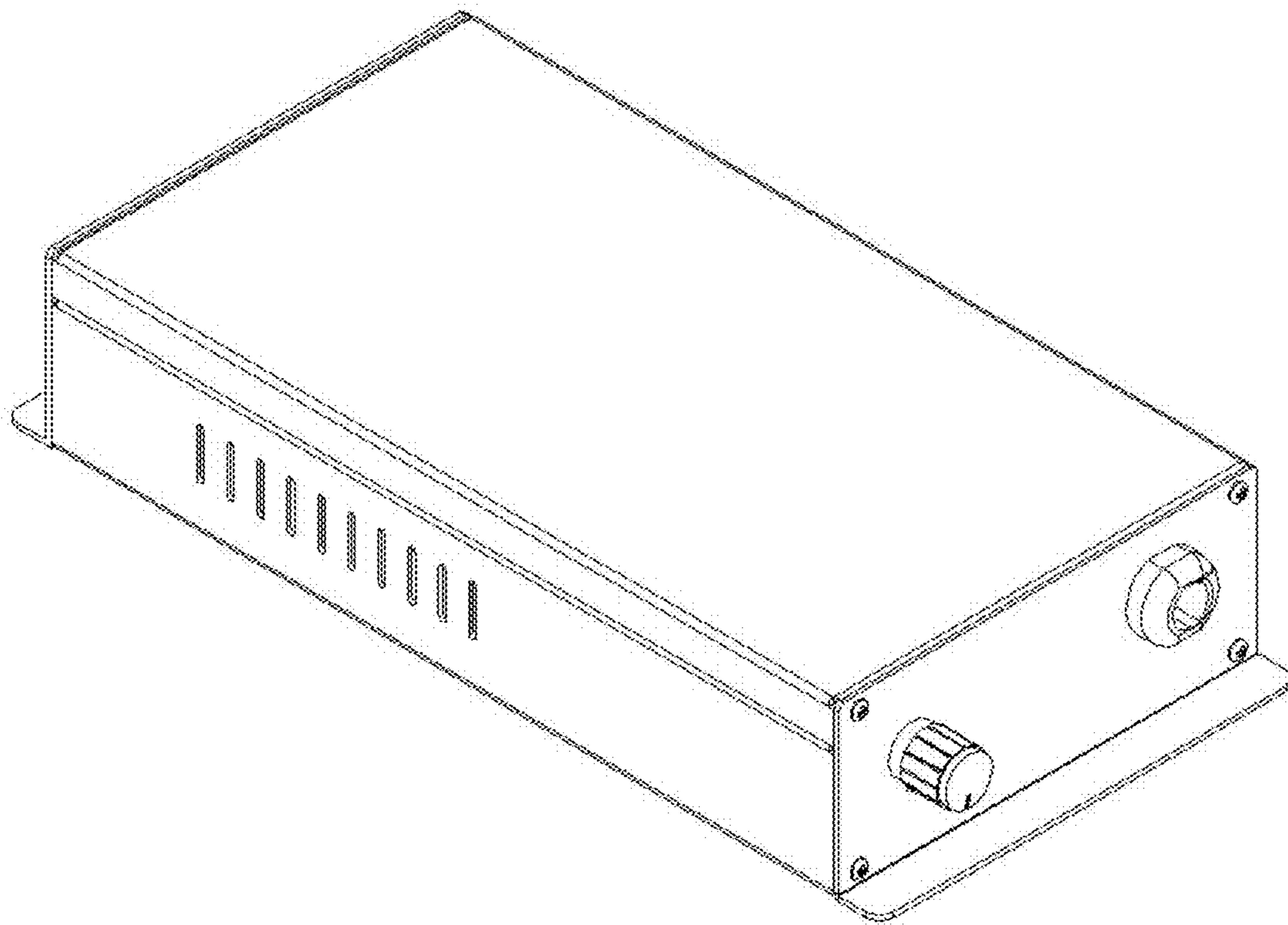


FIG. 8