



US00D778832S

(12) **United States Design Patent**
Wang

(10) **Patent No.:** **US D778,832 S**
(45) **Date of Patent:** **** Feb. 14, 2017**

- (54) **CHARGING DEVICE**
- (71) Applicant: **AVer Information Inc.**, New Taipei (TW)
- (72) Inventor: **Yu-Jung Wang**, New Taipei (TW)
- (73) Assignee: **AVER INFORMATION INC.**, New Taipei (TW)
- (**) Term: **14 Years**
- (21) Appl. No.: **29/514,007**
- (22) Filed: **Jan. 7, 2015**
- (51) **LOC (10) Cl.** **13-02**
- (52) **U.S. Cl.**
USPC **D13/109**
- (58) **Field of Classification Search**
USPC D13/107-110, 118-119, 184, 199;
D14/432, 434
CPC Y02E 60/12; Y02T 90/14; Y02T 90/122;
Y02T 90/128; Y02T 90/163; H02J 7/025;
H02J 7/0042; H02J 7/0044; H02J 7/0045;
H02J 7/0003; H01F 38/14; H01R
13/6675; H01M 2/1022; H01M 2/1055;
H01M 10/44; H01M 10/46; H01M
10/425; B60L 11/182
See application file for complete search history.

(56) **References Cited**

U.S. PATENT DOCUMENTS

- 1,675,626 A * 7/1928 Tuttle H01M 10/46
217/42
- D129,408 S * 9/1941 Christie D13/109
- D131,044 S * 1/1942 Hunter, Jr. D10/77
- D133,790 S * 9/1942 Sherman et al. D10/77
- D163,645 S * 6/1951 Shuler D13/109
- 2,565,273 A * 8/1951 Shuler H02J 7/0042
180/65.1
- D341,961 S * 12/1993 Howden D13/184

- 6,008,621 A * 12/1999 Madison H02J 7/0042
320/107
- 7,325,891 B1 * 2/2008 Kinsley B62B 3/10
280/47.35
- 7,595,995 B2 * 9/2009 Hock G06F 1/263
312/223.2
- D687,774 S * 8/2013 Moore D13/109
- D730,825 S * 6/2015 Wang D13/109
- D734,719 S * 7/2015 Johnson D13/109
- 2003/0141687 A1 * 7/2003 Wixted B62B 3/006
280/47.35
- 2005/0110461 A1 * 5/2005 McConnell G09B 7/00
320/116
- 2009/0096336 A1 * 4/2009 Petrick G06F 13/4022
312/237
- 2009/0230919 A1 * 9/2009 Nethken H02J 7/0027
320/115

(Continued)

Primary Examiner — Rosemary K Tarcza

(74) *Attorney, Agent, or Firm* — Muncy, Geissler, Olds & Lowe, P.C.

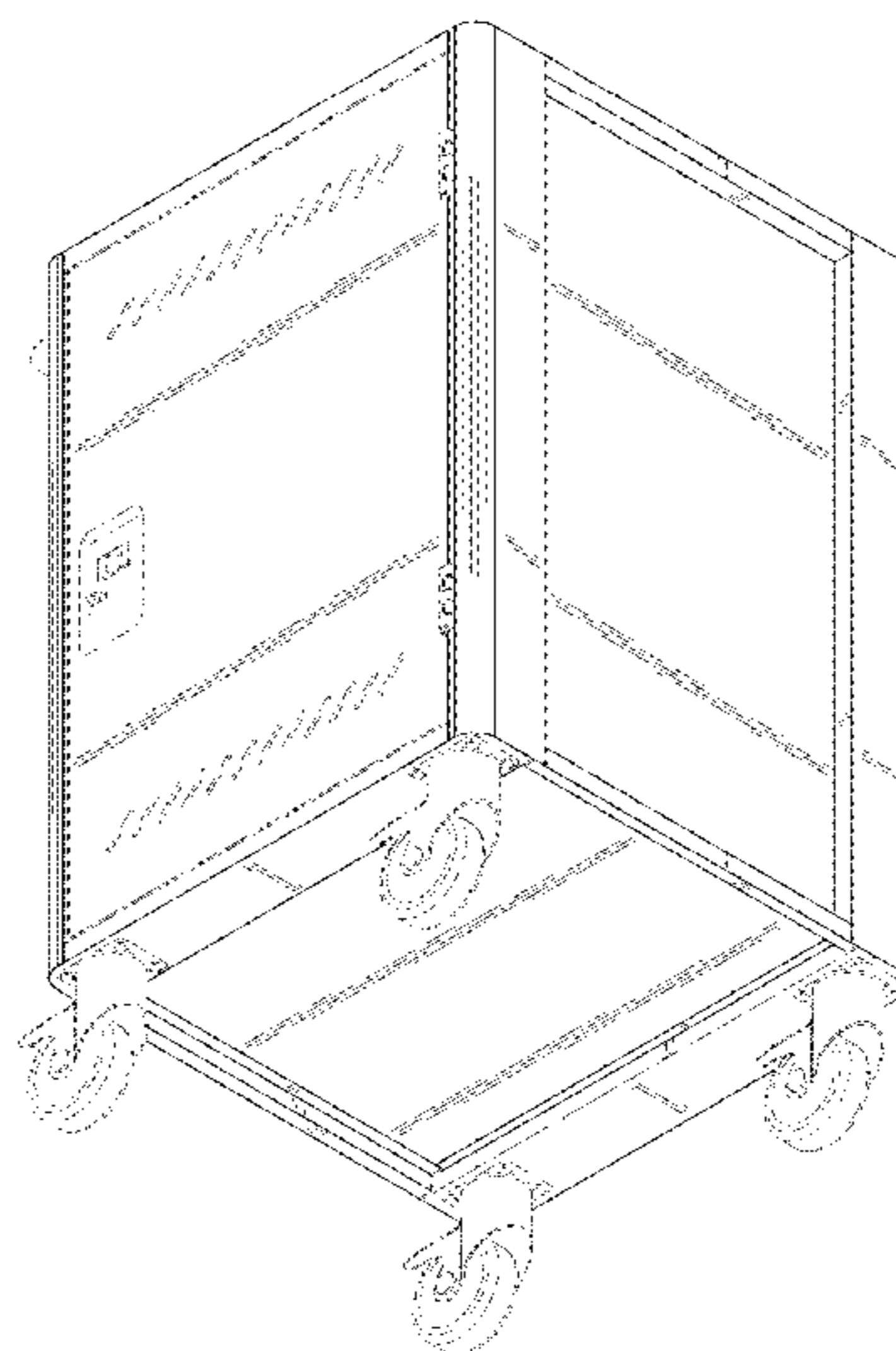
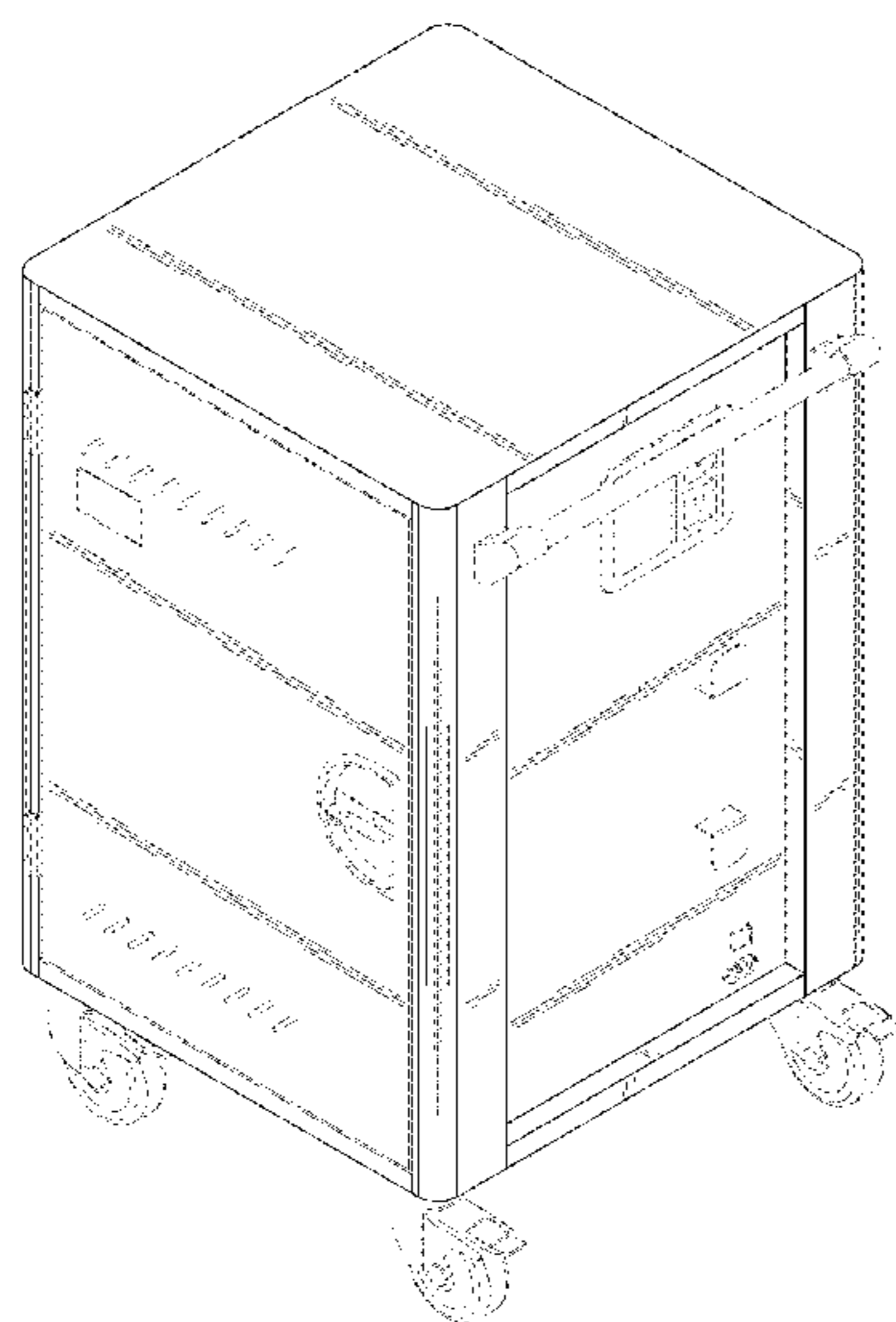
(57) **CLAIM**

The ornamental design for a “charging device,” as shown and described.

DESCRIPTION

FIG. 1 is a top front right perspective view of a charging device showing our new design;
 FIG. 2 is bottom rear left perspective view of the charging device showing our new design;
 FIG. 3 is a front view thereof;
 FIG. 4 is a rear view thereof;
 FIG. 5 is a left side elevational view thereof;
 FIG. 6 is a right side elevational view thereof;
 FIG. 7 is a top view thereof; and,
 FIG. 8 is a bottom view thereof.
 The dashed lines in the figures depict portions of the charging device that form no part of the claimed design.

1 Claim, 8 Drawing Sheets



(56)

References Cited

U.S. PATENT DOCUMENTS

2011/0193524 A1* 8/2011 Hazzard G06F 1/1632
320/114
2011/0309591 A1* 12/2011 Petrick H01R 13/465
280/47.35
2015/0380964 A1* 12/2015 Tischer H02J 7/0044
320/114
2016/0020625 A1* 1/2016 Tsou H02J 7/0027
320/115
2016/0211687 A1* 7/2016 Wang H02J 7/0042

* cited by examiner

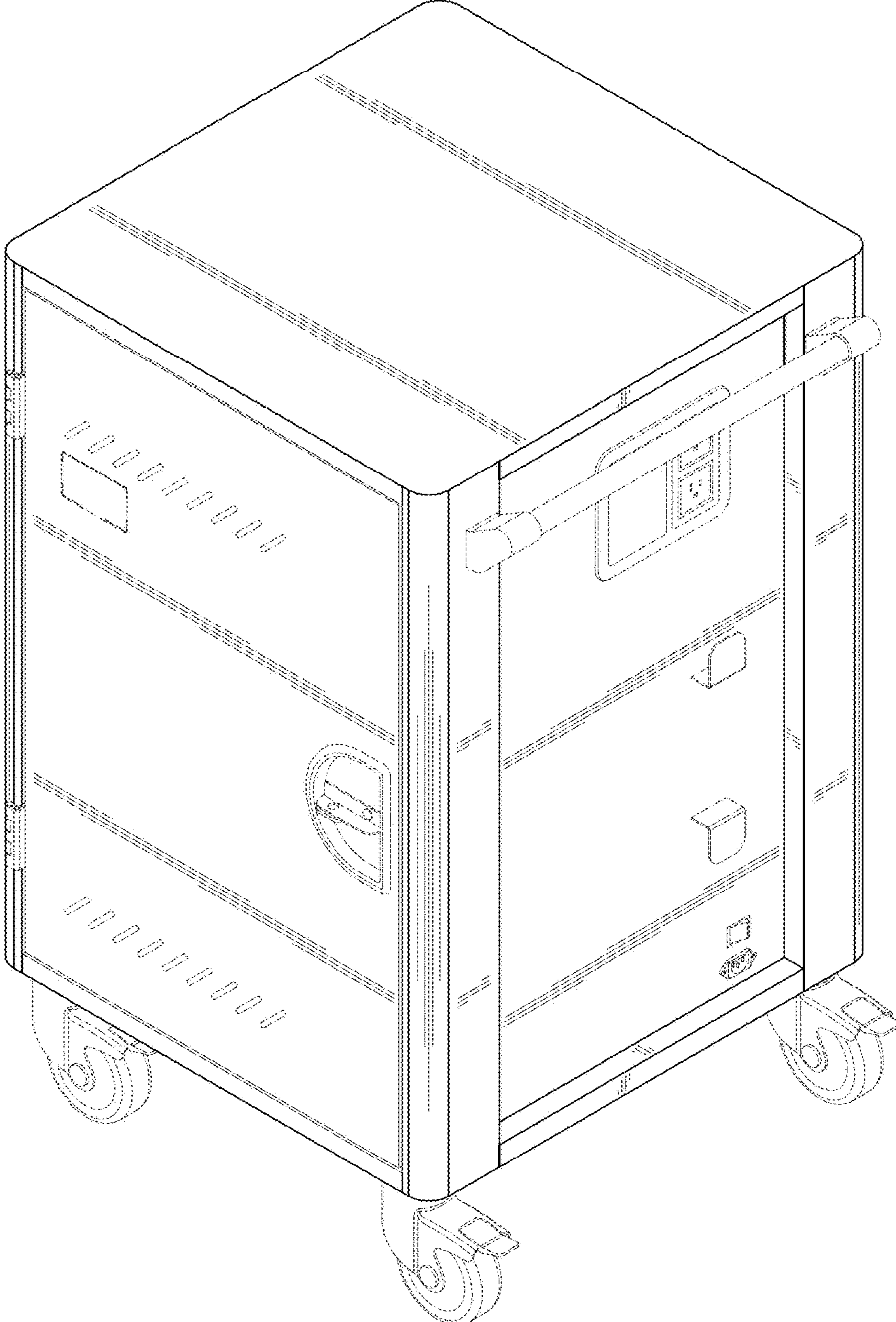


FIG.1

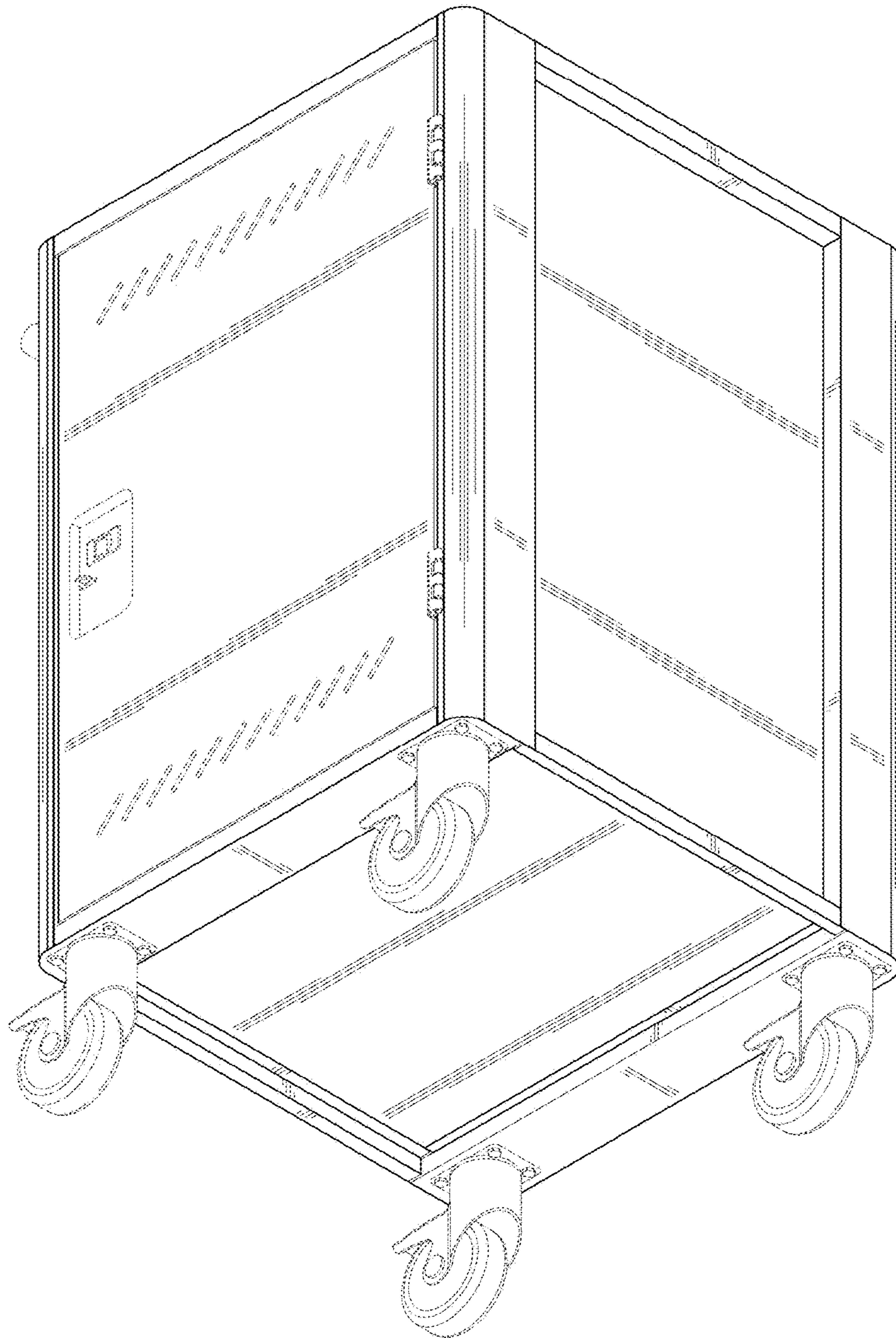


FIG.2

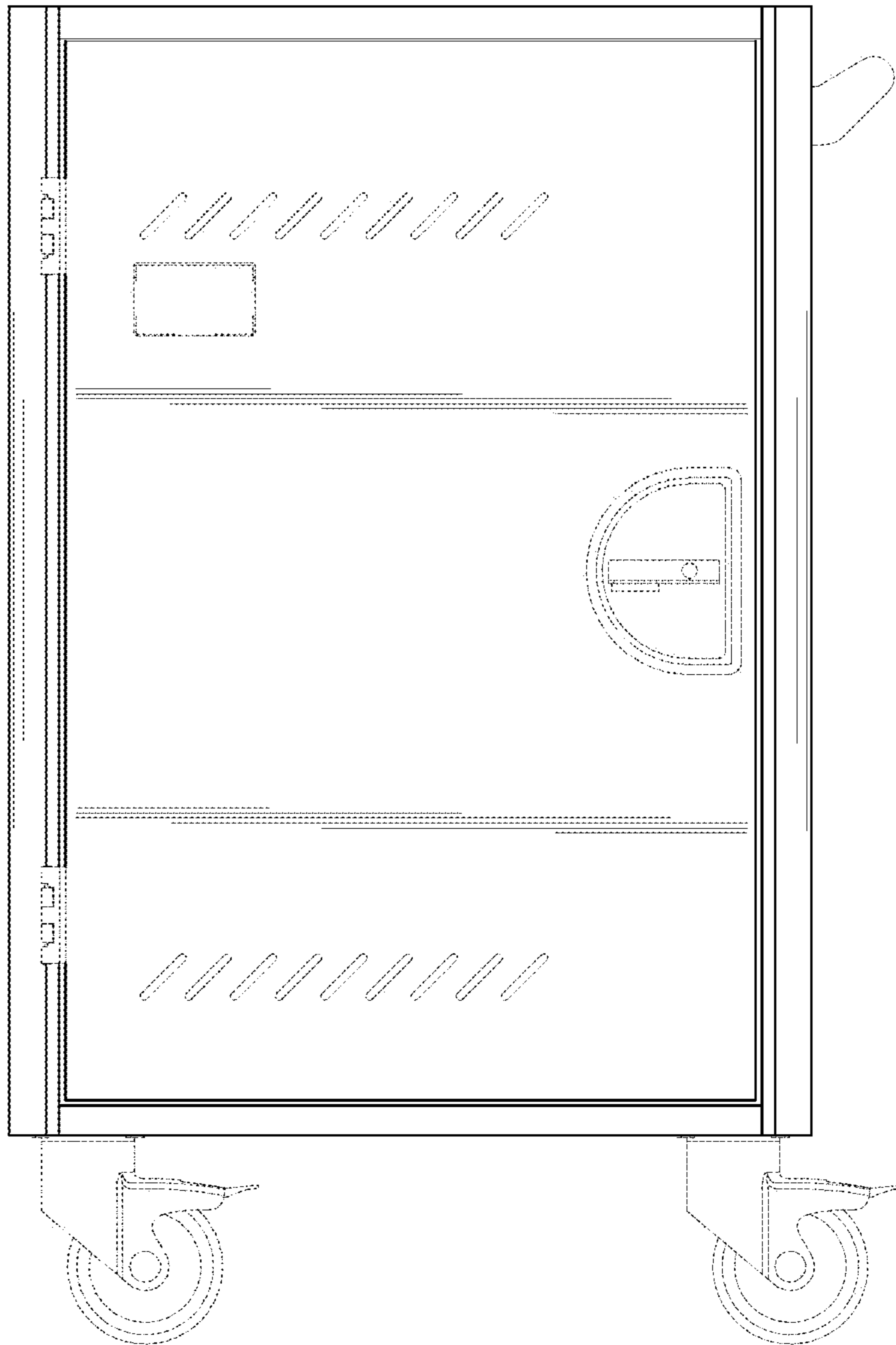


FIG.3

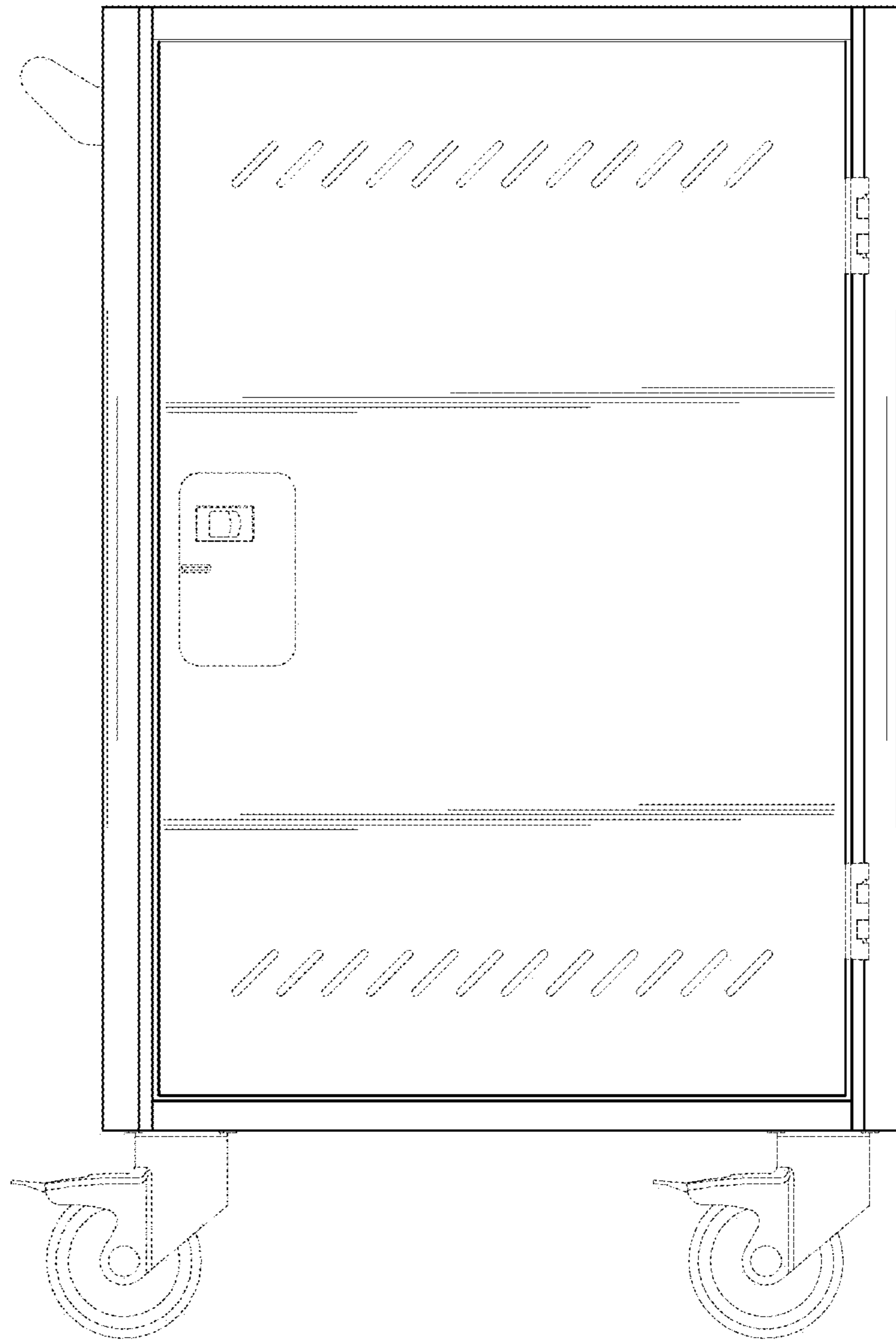


FIG.4

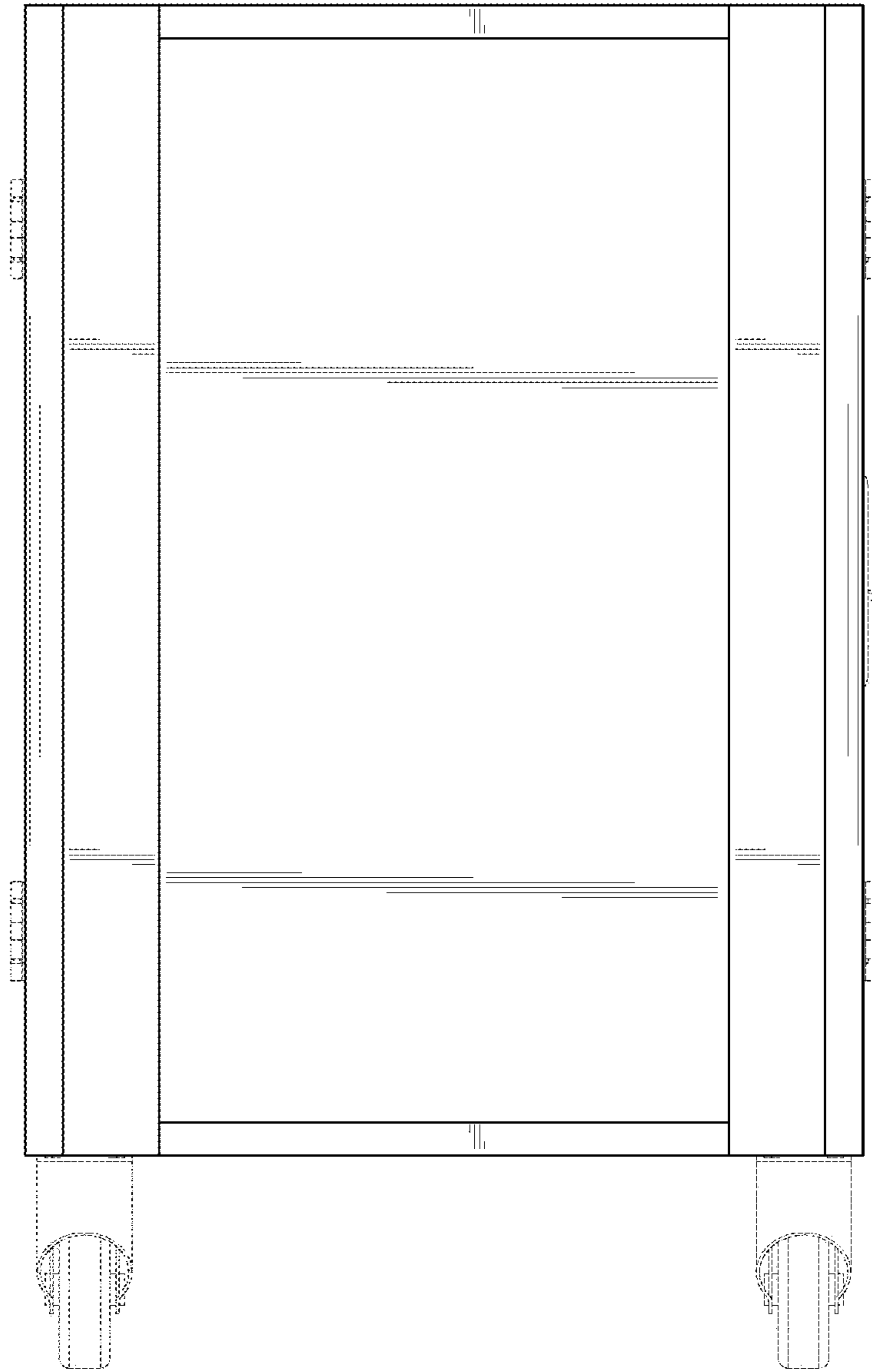


FIG. 5

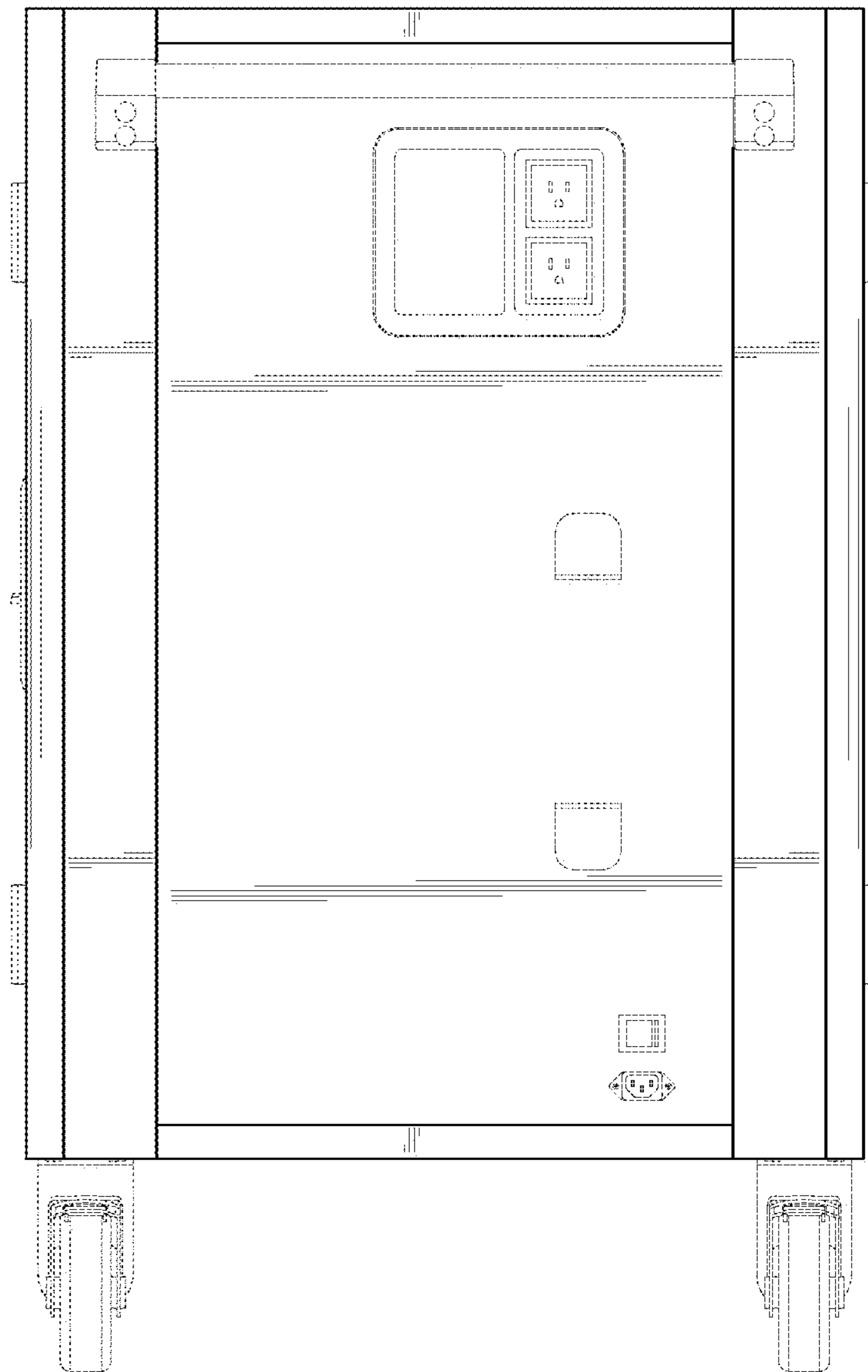


FIG. 6

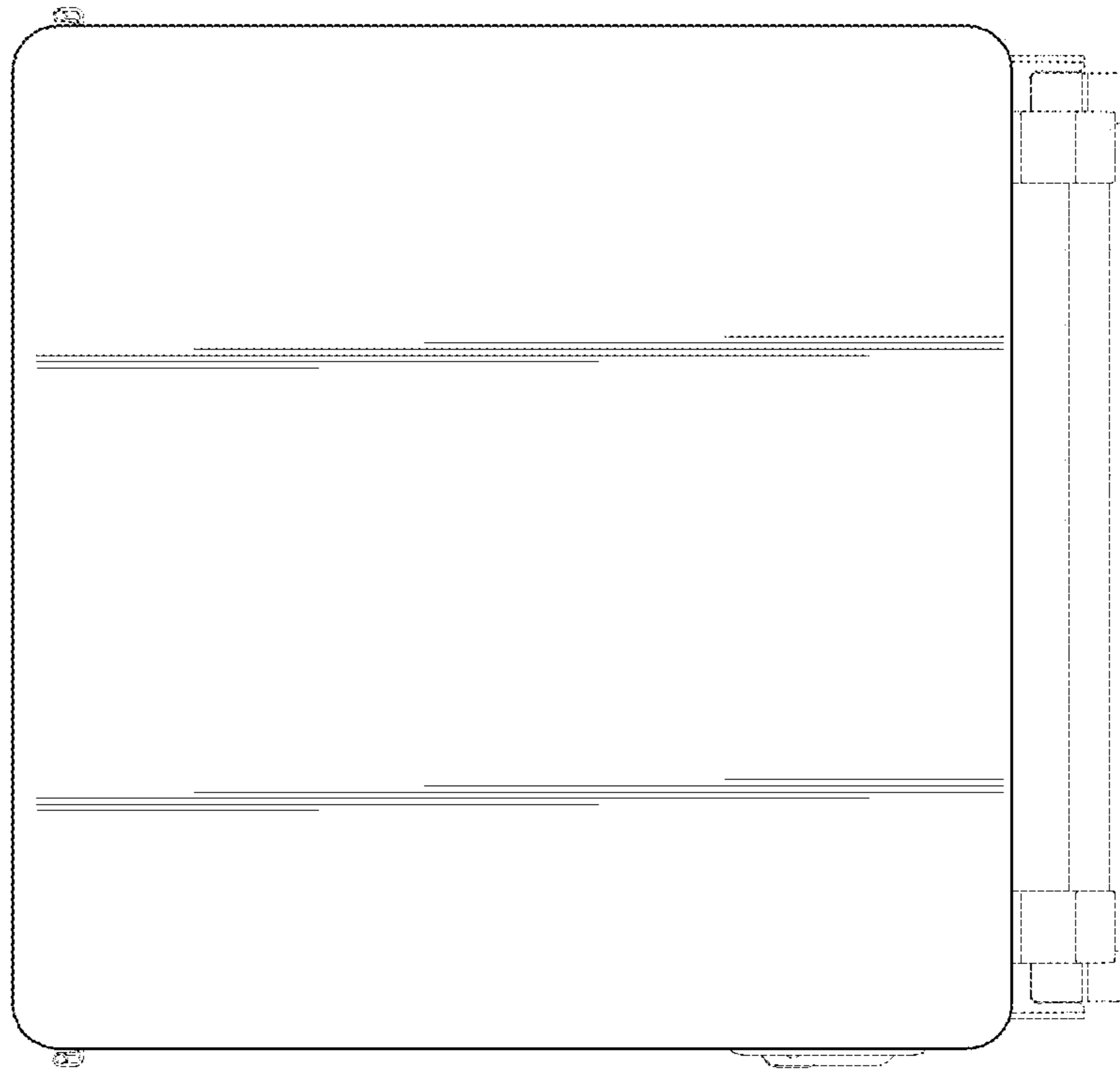


FIG.7

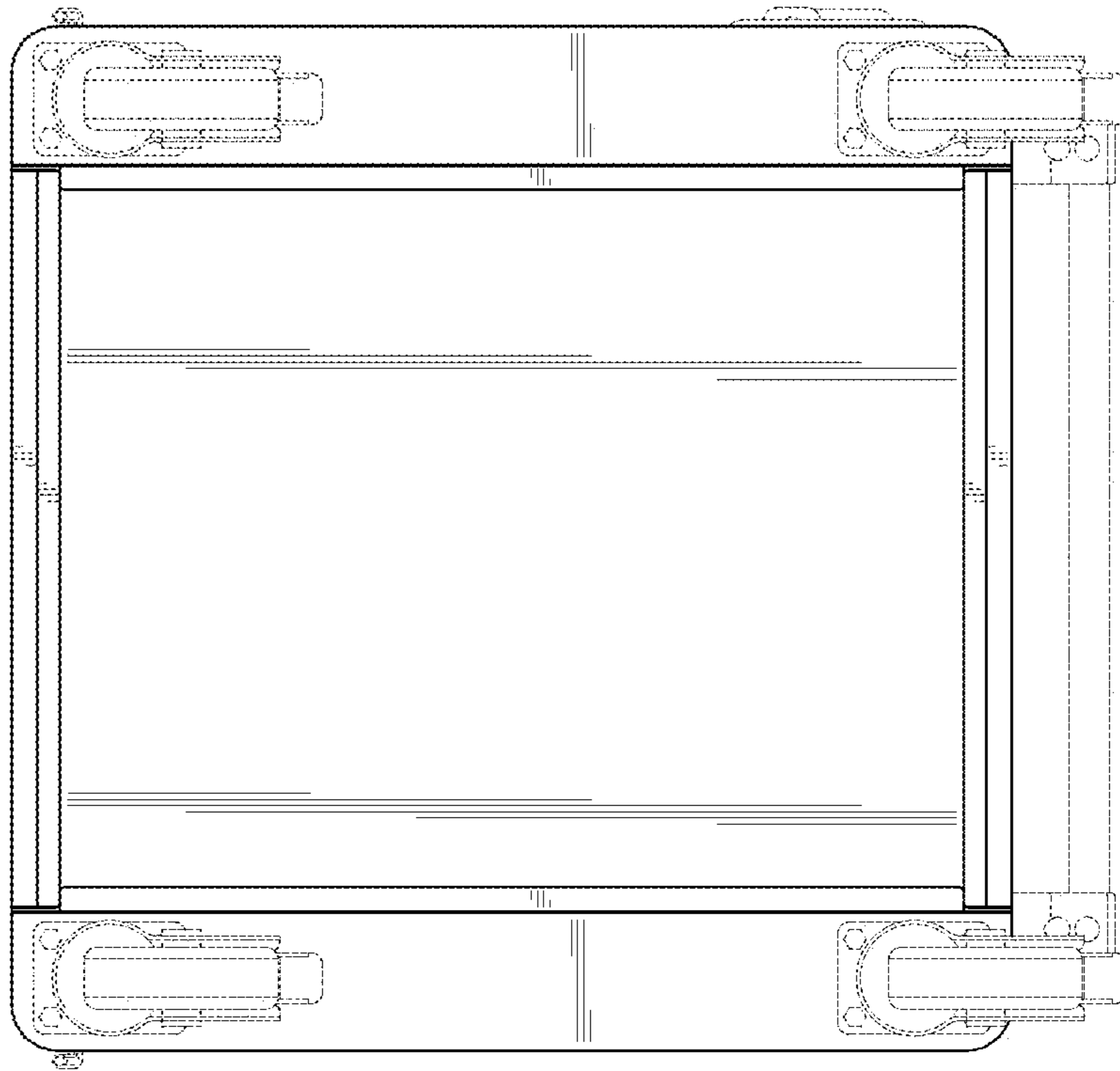


FIG.8