



US00D778831S

(12) **United States Design Patent**  
**Chen**

(10) **Patent No.:** **US D778,831 S**

(45) **Date of Patent:** **\*\* Feb. 14, 2017**

(54) **POWER SUPPLY DEVICE FOR  
ELECTRONIC CIGARETTES**

H01M 2/1055; H01M 2/1066; H01M  
2/105; H01M 2/204

See application file for complete search history.

(71) Applicant: **Shenzhen Smoore Technology  
Limited**, Shenzhen, Guangdong (CN)

(56)

**References Cited**

U.S. PATENT DOCUMENTS

(72) Inventor: **Zhiping Chen**, Guangdong (CN)

(73) Assignee: **SHENZHEN SMOORE  
TECHNOLOGY LIMITED**, Shenzhen  
(CN)

D360,620 S *	7/1995	Gehrs .....	D13/152
D424,236 S *	5/2000	Reed .....	D27/163
D446,499 S *	8/2001	Andre .....	D13/110
D476,293 S *	6/2003	Tada .....	D13/103
D480,684 S *	10/2003	Ho .....	D13/110
D529,227 S *	9/2006	Smith .....	D27/143
D538,222 S *	3/2007	Curello .....	D13/103
D568,240 S *	5/2008	Haydvoegel .....	D13/103
D586,739 S *	2/2009	Zaremba .....	D13/103
D590,336 S *	4/2009	Tatehata .....	D13/103

(Continued)

(\*\*) Term: **15 Years**

(21) Appl. No.: **29/555,377**

(22) Filed: **Feb. 22, 2016**

*Primary Examiner* — Rosemary K Tarcza

*Assistant Examiner* — Christy Nemeth

(30) **Foreign Application Priority Data**

(57)

**CLAIM**

Jan. 28, 2016 (CN) ..... 2016 3 0032328

(51) **LOC (10) Cl.** ..... **13-02**

The ornamental design for a power supply device for electronic cigarettes, as shown and described.

(52) **U.S. Cl.**

**DESCRIPTION**

USPC ..... **D13/108**; D27/167

(58) **Field of Classification Search**

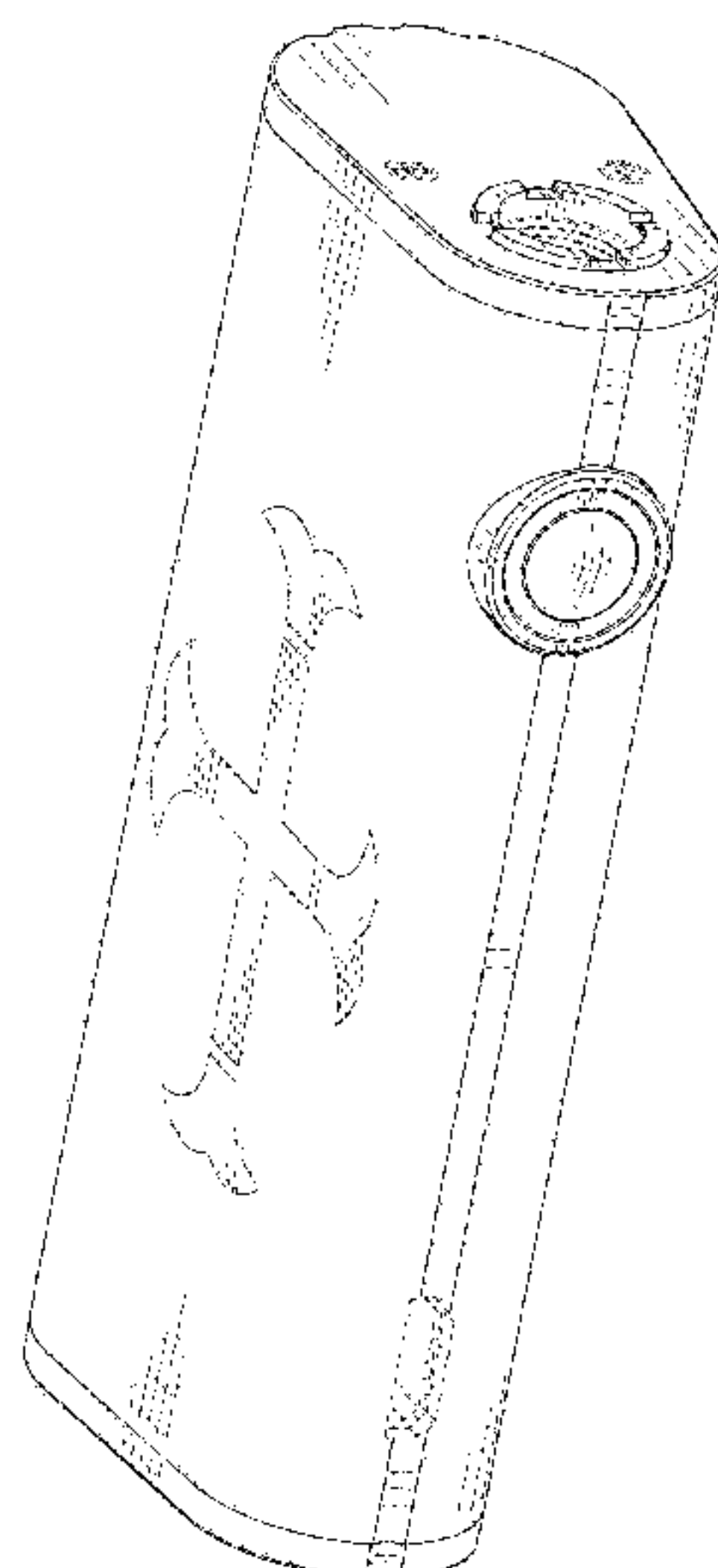
USPC ..... D13/102-106, 110, 188-119, 184, 199,  
D13/107-109; 429/170, 176, 163,  
D13/96-100; D14/372, 356, 432;  
D27/167, 194

CPC ..... Y02E 60/12; Y02E 60/122; Y02E 60/124;  
Y02E 60/50; H02J 2007/0062; H02J 7/00;  
H02J 7/0003; H02J 7/0011; H02J 7/0013;  
H02J 7/0054; H02J 7/0055; H02J 7/0057;  
H01M 2200/30; H01M 2250/30; H01M  
2250/40; H01M 10/44; H01M  
10/46; H01M 10/465; H01M  
10/482; H01M 10/4257; H01M 10/0436;  
H01M 10/48; H01M 2/20; H01M 2/202;  
H01M 2/206; H01M 2/02; H01M 2/022;  
H01M 2/0202; H01M 2/0207; H01M  
2/0212; H01M 2/1061; H01M 2/1022;

FIG. 1 is a front elevational view of a power supply device for electronic cigarettes showing my new design;  
FIG. 2 is a rear elevational view thereof;  
FIG. 3 is a left side view thereof;  
FIG. 4 is a right side view thereof;  
FIG. 5 is a bottom plan view thereof;  
FIG. 6 is a top plan view thereof;  
FIG. 7 is a first perspective view thereof;  
FIG. 8 is a second perspective view thereof; and,  
FIG. 9 is a third perspective view thereof, showing the power supply device for electronic cigarettes in a state of use.

The broken lines in the drawings illustrate elements of the power supply device for electronic cigarettes that form no part of the claimed design.

**1 Claim, 9 Drawing Sheets**



(56)

**References Cited**

U.S. PATENT DOCUMENTS

D590,769	S *	4/2009	Tatehata .....	D13/103
D687,768	S *	8/2013	Minamikawa .....	D13/107
D688,200	S *	8/2013	Shin .....	D13/107
D745,213	S *	12/2015	Alima .....	D27/143
D746,771	S *	1/2016	Perez .....	D13/108
D758,656	S *	6/2016	Freshwater .....	D27/163
D769,520	S *	10/2016	Hua .....	D27/167
2008/0157779	A1 *	7/2008	Onishi .....	H01M 2/266 324/500
2009/0098443	A1 *	4/2009	Yamamoto .....	H01M 2/1235 429/56
2011/0059352	A1 *	3/2011	Lee .....	H01M 2/0202 429/164

\* cited by examiner

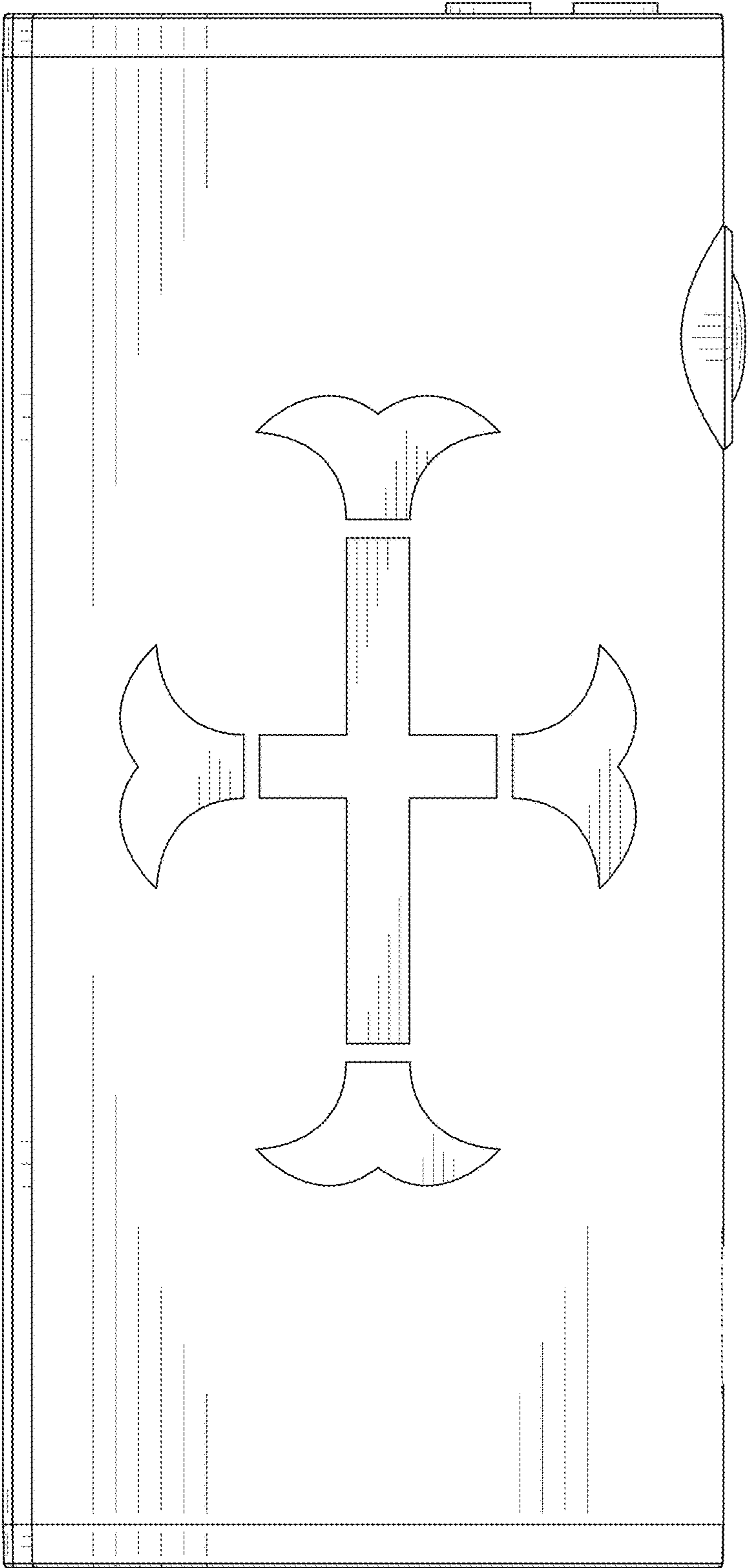


Fig. 1

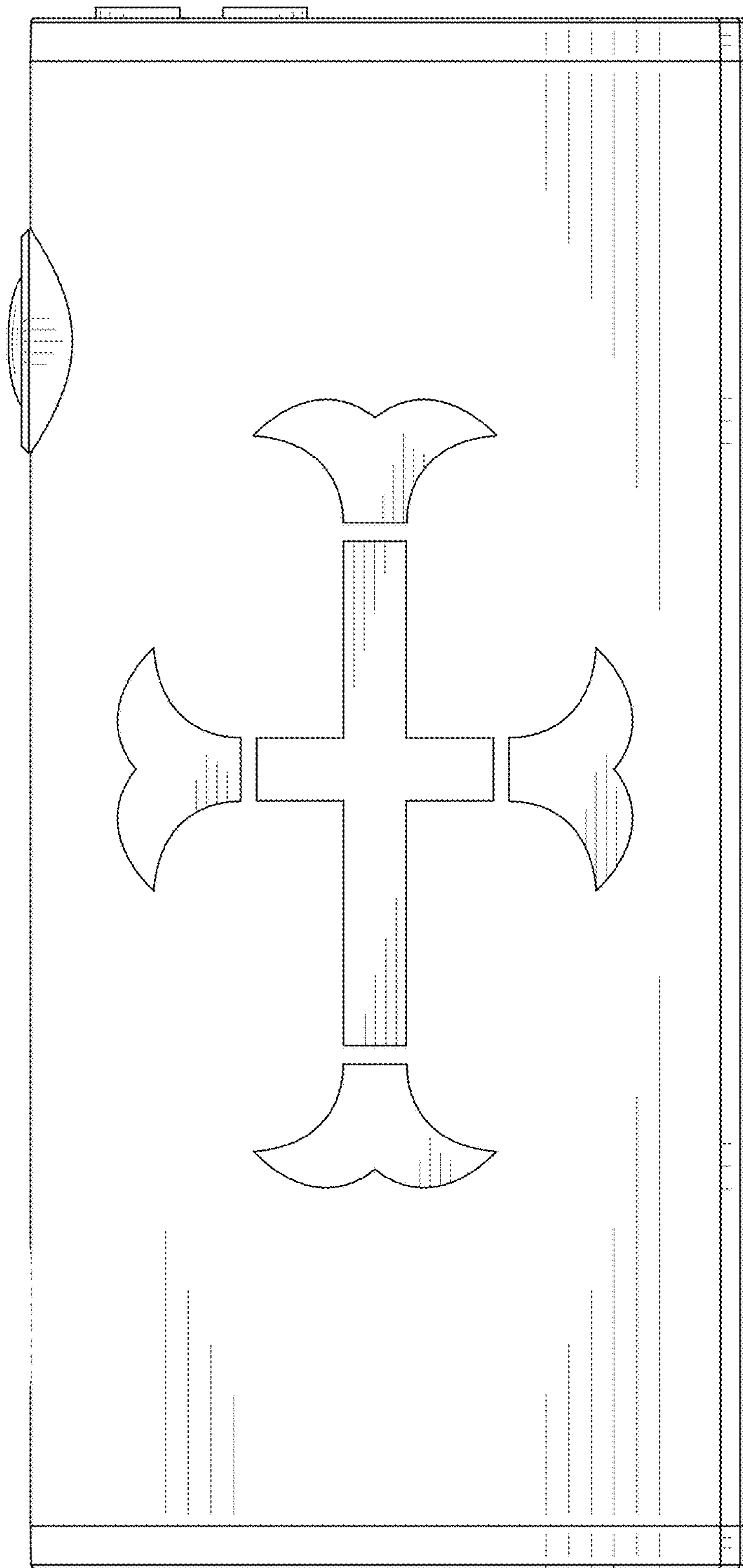


Fig. 2

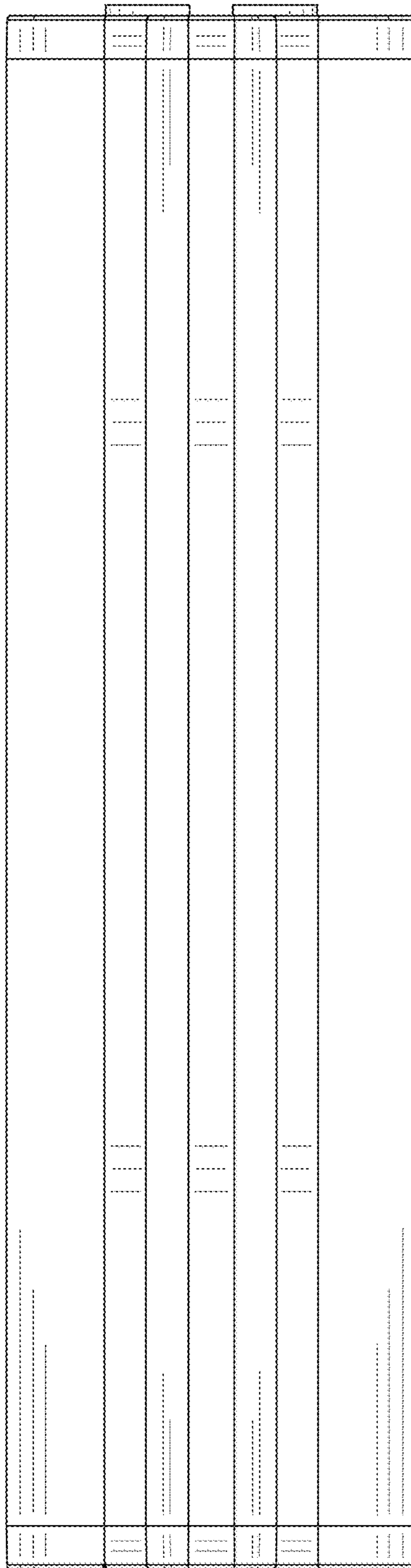


Fig. 3



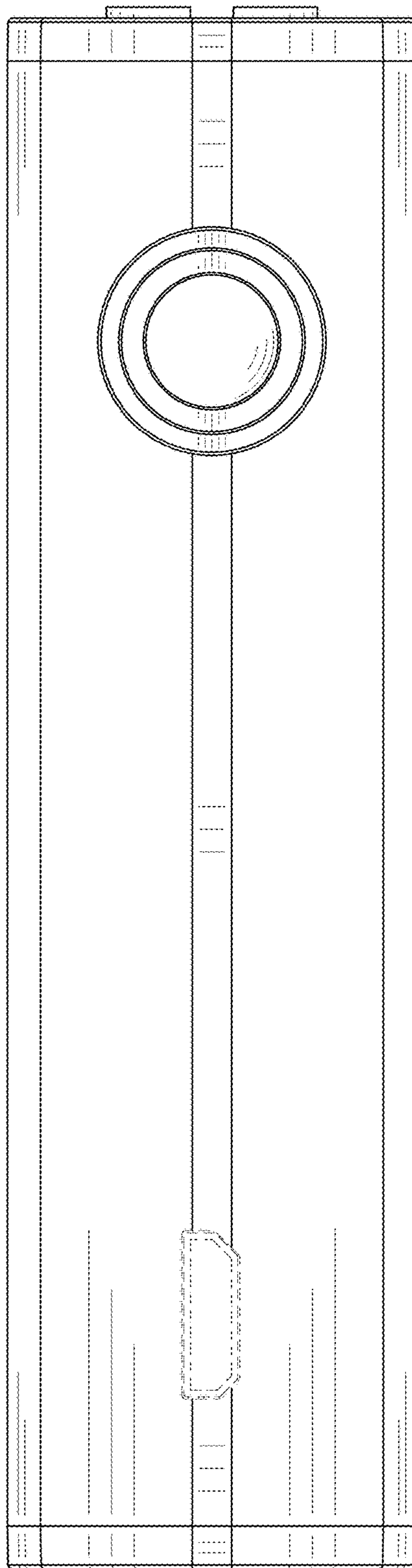


Fig. 4

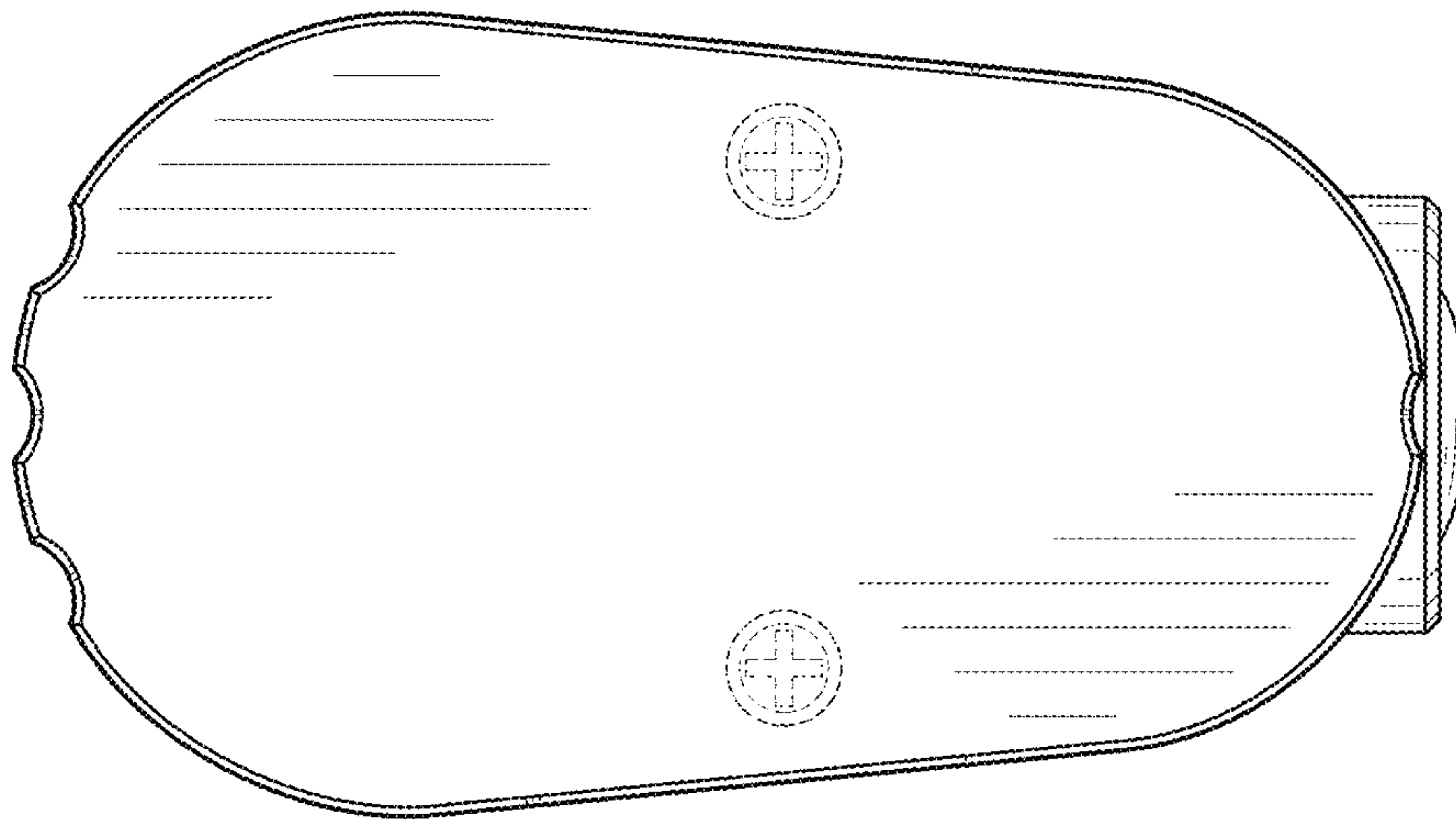


Fig. 5

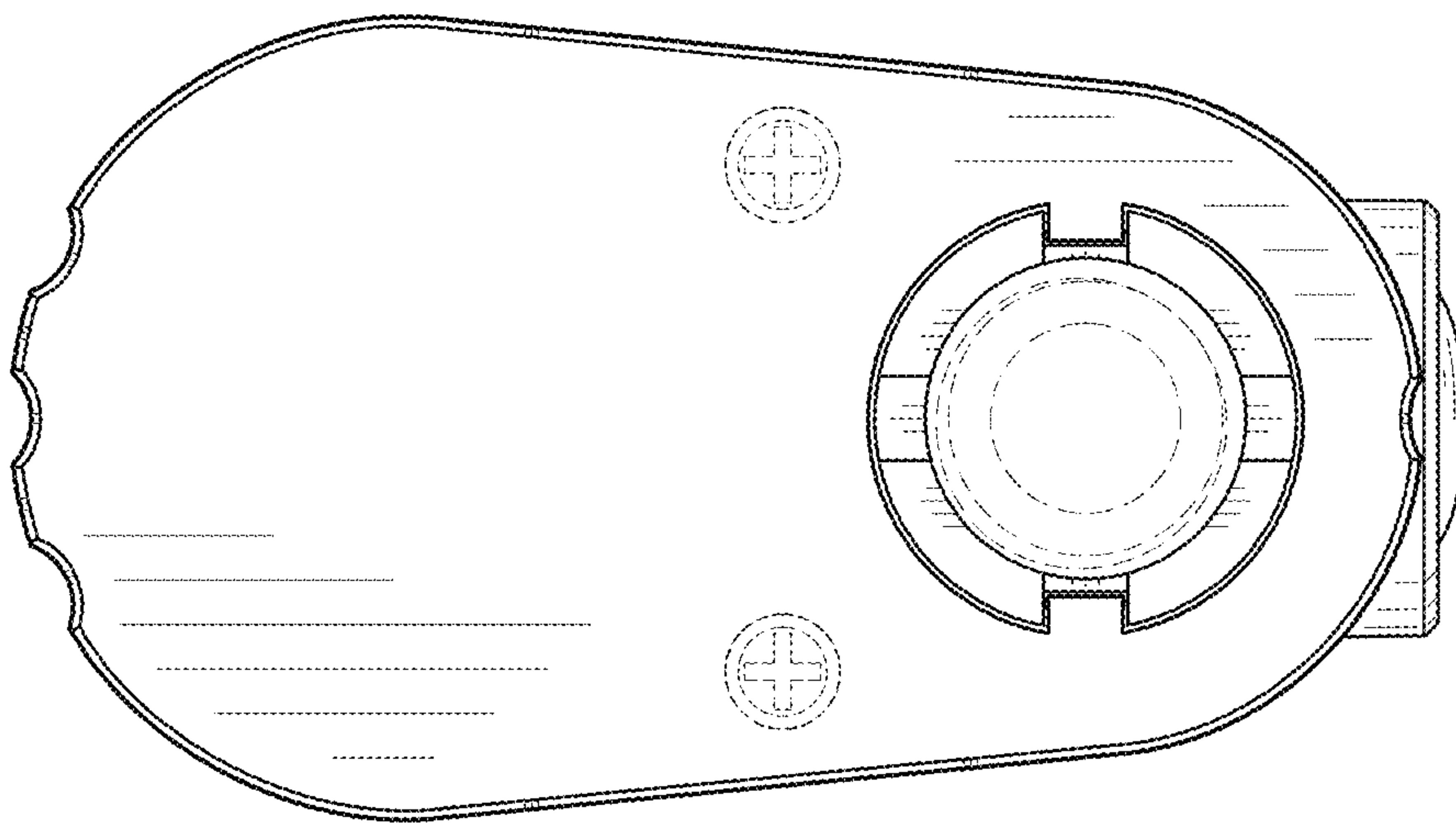


Fig. 6



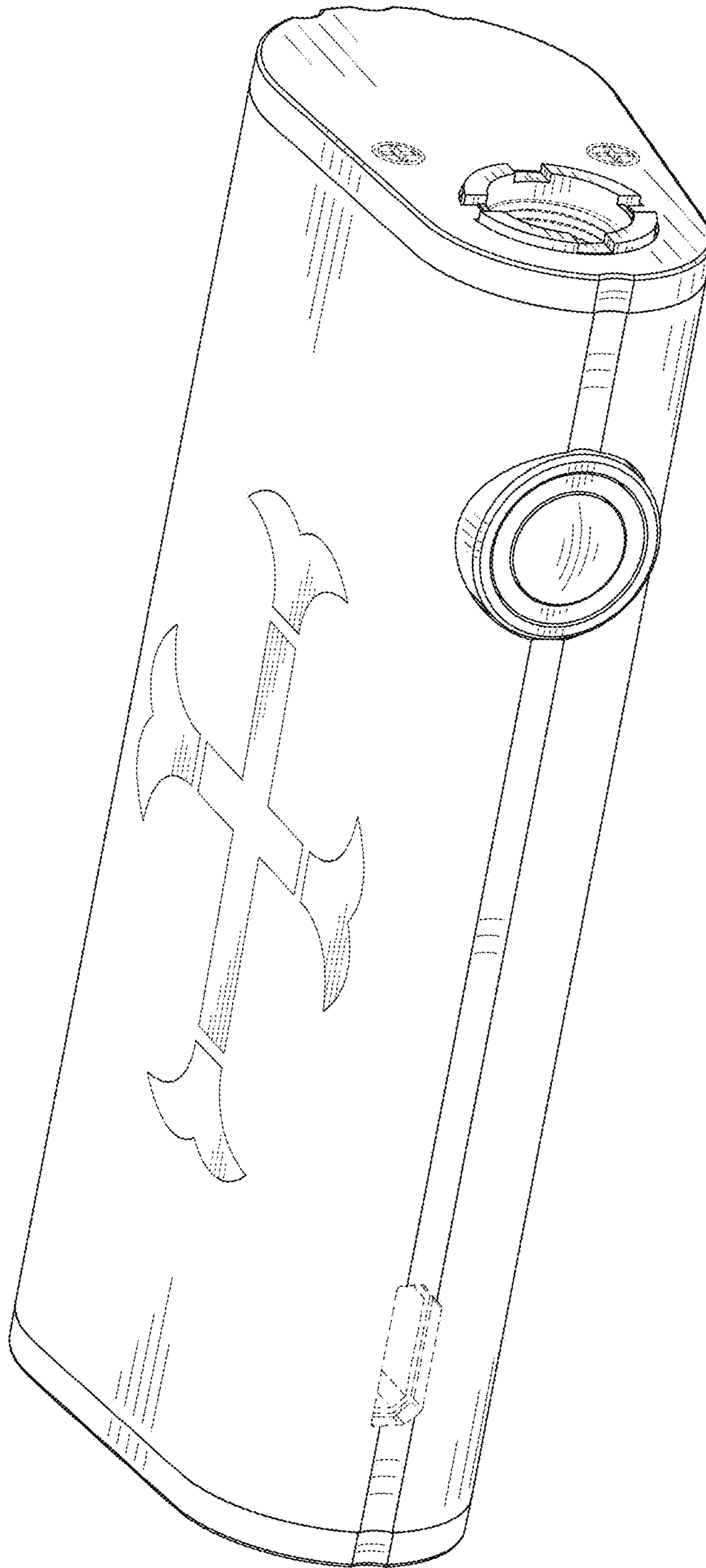


Fig. 7

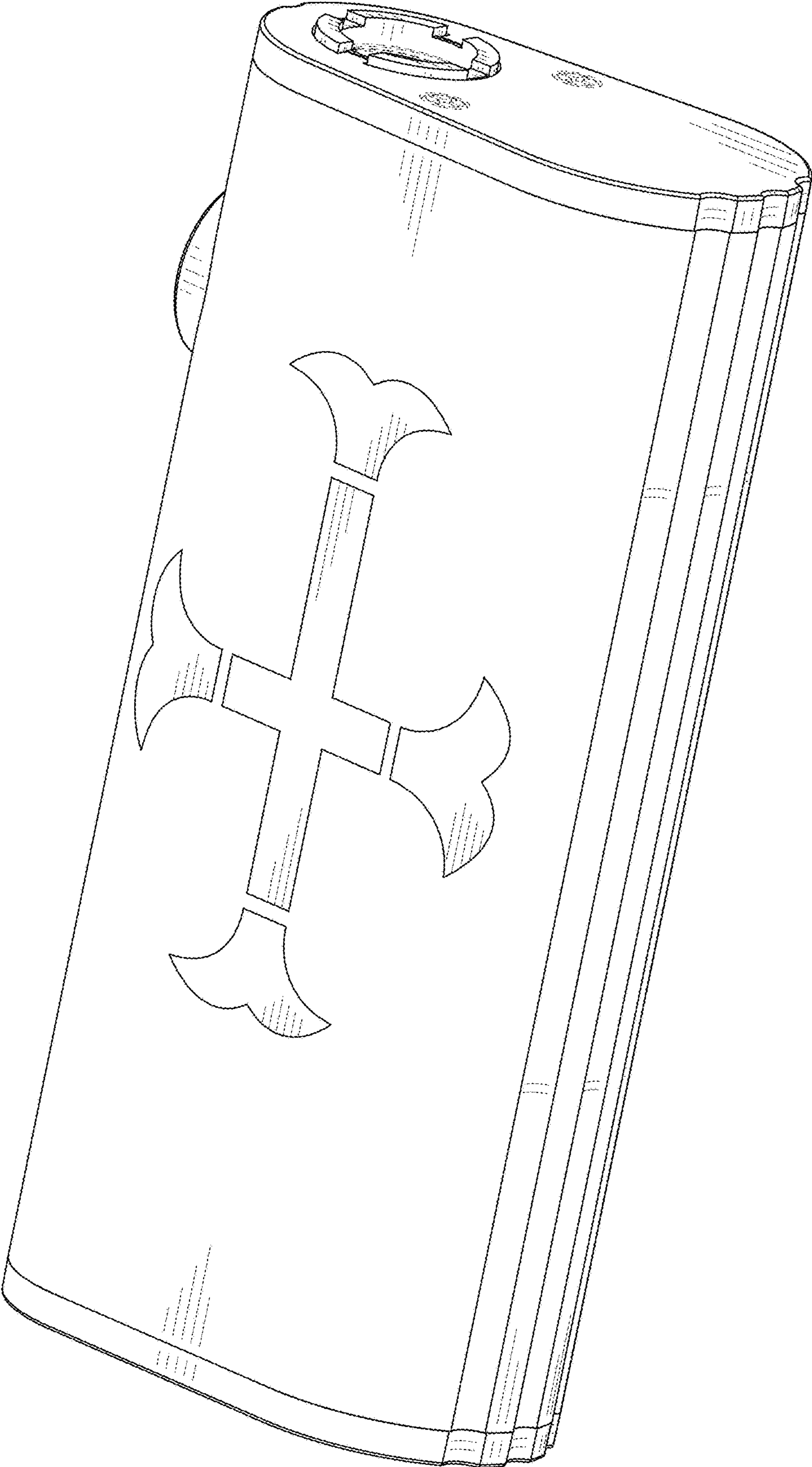


Fig. 8

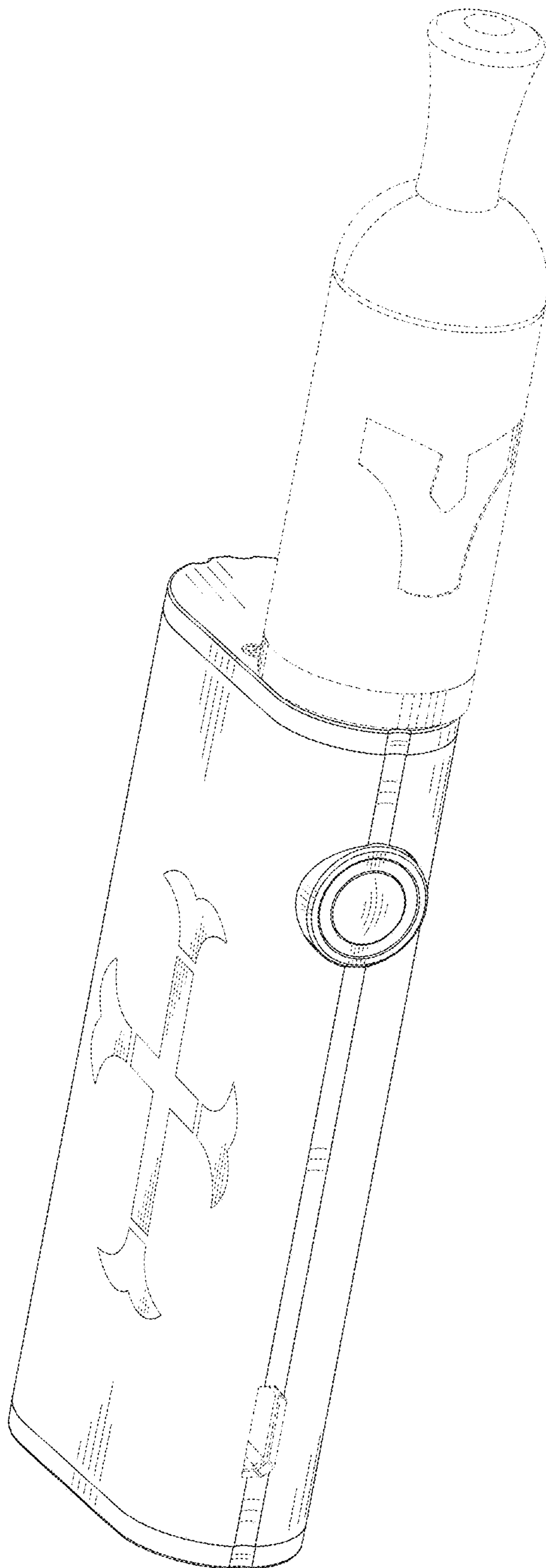


Fig. 9