



US00D778830S

(12) **United States Design Patent** (10) **Patent No.:** **US D778,830 S**
Lu (45) **Date of Patent:** **** Feb. 14, 2017**

(54) **WIRELESS CHARGING DEVICE**

(56) **References Cited**

(71) Applicant: **Dongguan Weihong Hardware and Plastic Products Co., Ltd.**, Dongguan (CN)

U.S. PATENT DOCUMENTS

(72) Inventor: **Wei Lu**, Dongguan (CN)

D421,643 S *	3/2000	Mauk	D23/261
D506,438 S *	6/2005	Vinciarelli	D13/110
D609,329 S *	2/2010	Parker	D23/411
D687,768 S *	8/2013	Minamikawa	D13/107
D694,707 S *	12/2013	Zeng	D13/108
D706,457 S *	6/2014	Schober	D25/105

(73) Assignee: **DONGGUAN WEIHONG HARDWARE AND PLASTIC PRODUCTS CO., LTD.**, Dongguan (CN)

* cited by examiner

(**) Term: **15 Years**

Primary Examiner — Rosemary K Tarcza

Assistant Examiner — Christy Nemeth

(21) Appl. No.: **29/550,056**

(74) *Attorney, Agent, or Firm* — Shimokaji IP

(22) Filed: **Dec. 30, 2015**

(57) **CLAIM**

(51) **LOC (10) Cl.** **13-02**

The ornamental design for a wireless charging device, as shown and described.

(52) **U.S. Cl.**

USPC **D13/108**

(58) **Field of Classification Search**

DESCRIPTION

USPC D16/219; D14/356, 251, 253, 432, 434, D14/358; D13/107–110, 118–119, 184, D13/199, 102–106

CPC H01M 10/44; H01M 10/46; H01M 10/425; H01M 10/482; H01M 2/02; H01M 2/022; H01M 2/0202; H01M 2/0207; H01M 2/0212; H01M 2/1061; H01M 2/1066; H01M 2/105; H01M 2/20; H01M 2/202; H01M 2/204; H01M 2/206; H01M 2/1022; H01M 2/1055; Y02E 60/10; Y02E 60/122; Y02E 60/124; Y02E 60/50; Y02E 60/12; H02J 7/0054; H02J 7/0055; H02J 7/0057; H02J 7/025; H02J 7/0042; H02J 7/0044; H02J 7/0045; H02J 7/0003; Y02T 90/14; Y02T 90/122; Y02T 90/128; Y02T 90/163; H01R 13/6675

FIG. 1 is a front elevational view of a wireless charging device showing my new design;

FIG. 2 is a rear elevational view thereof;

FIG. 3 is a left side elevational view thereof;

FIG. 4 is a right side elevational view thereof;

FIG. 5 is a top plan view thereof;

FIG. 6 is a bottom plan view thereof;

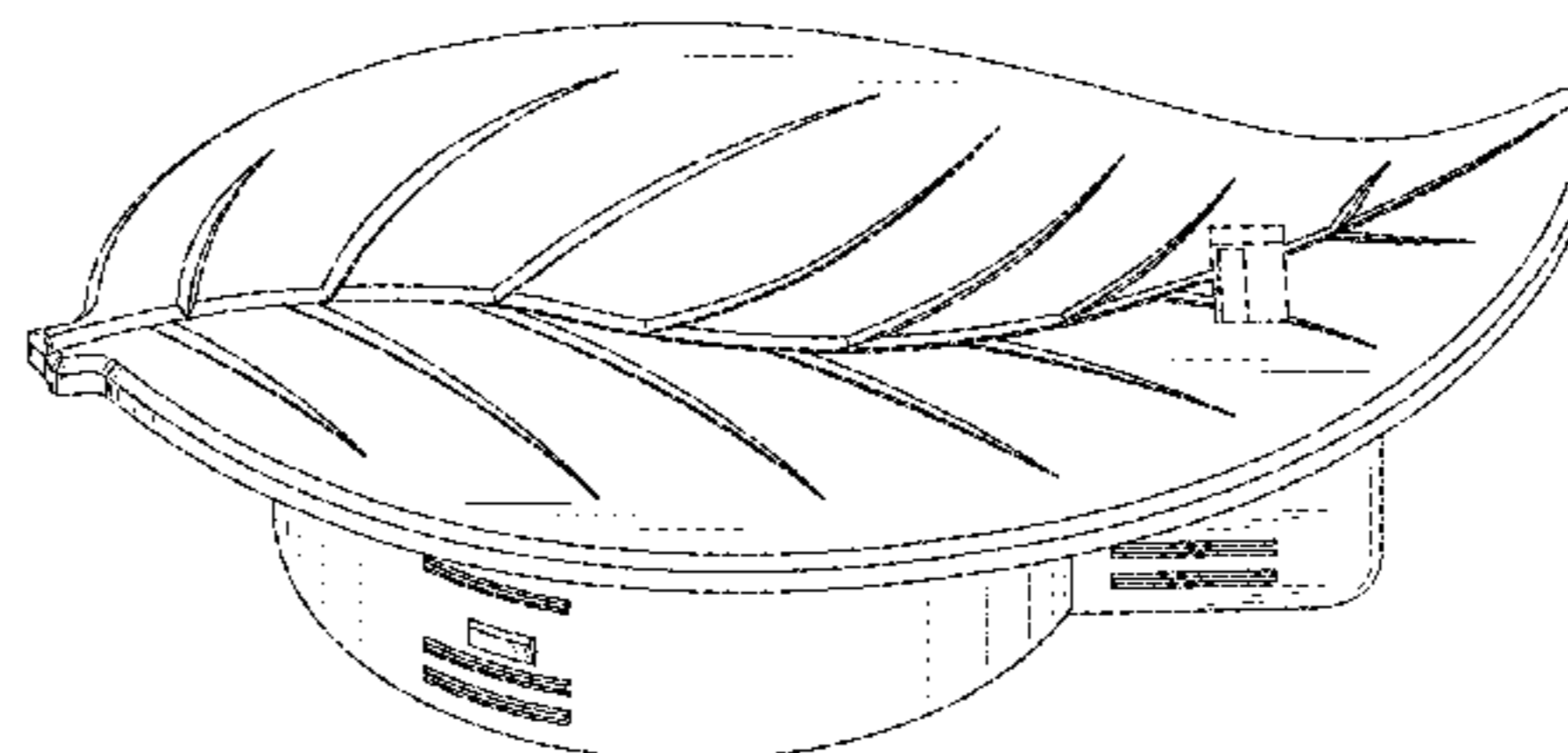
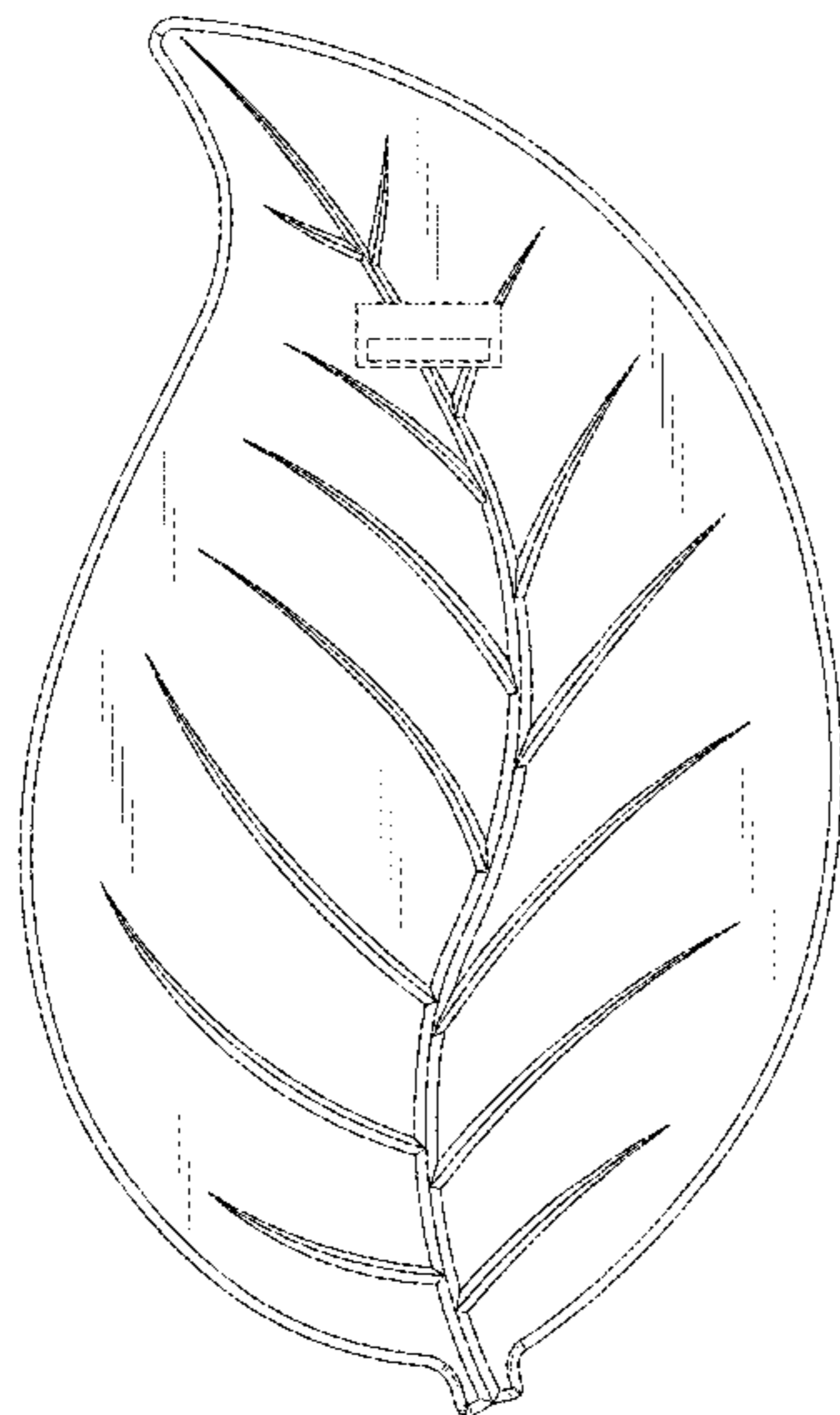
FIG. 7 is a first perspective view thereof; and,

FIG. 8 is a second perspective view thereof.

The broken lines in the drawings illustrate elements of the wireless charging device that form no part of the claimed design.

See application file for complete search history.

1 Claim, 5 Drawing Sheets



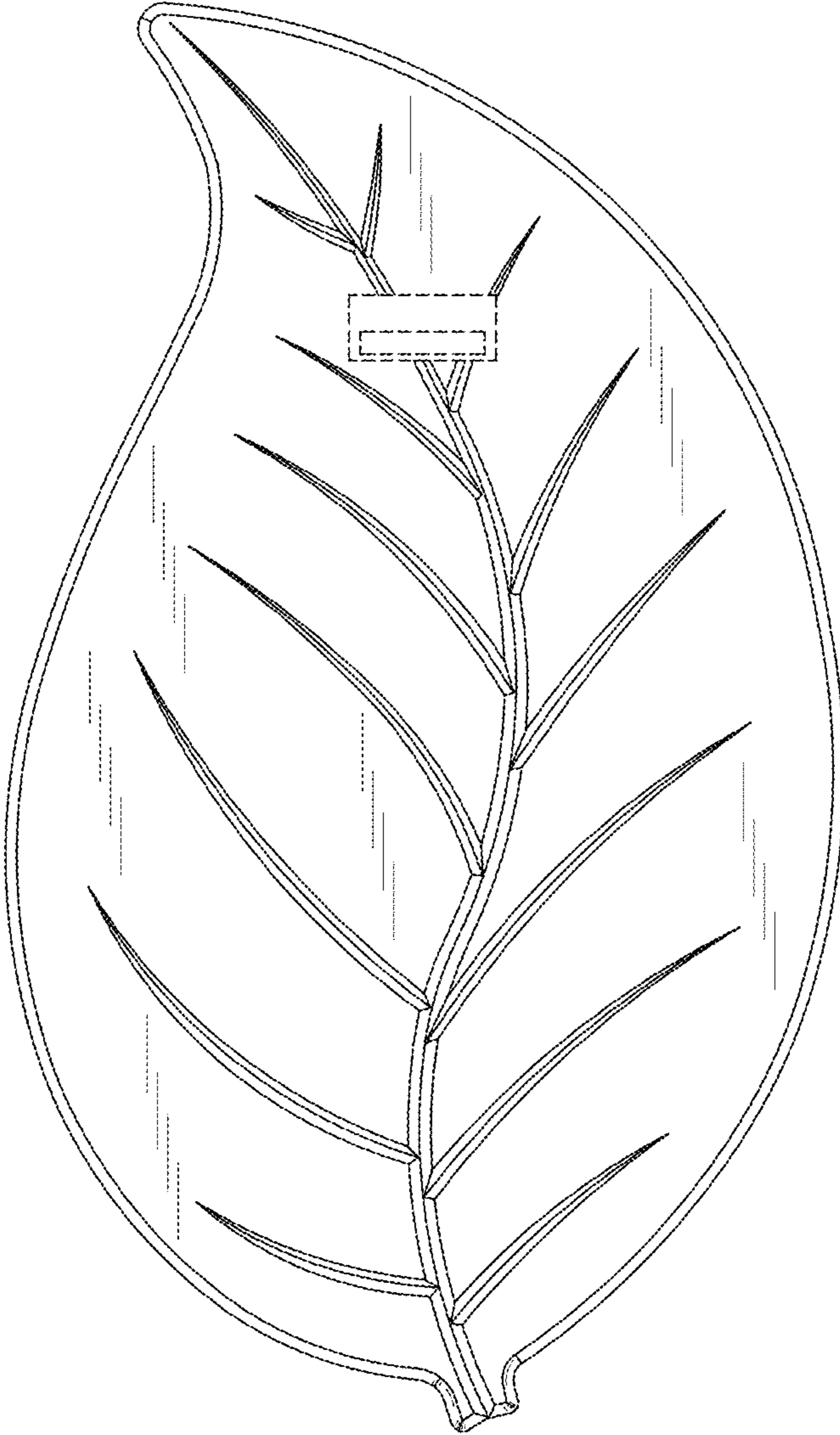


FIG.1

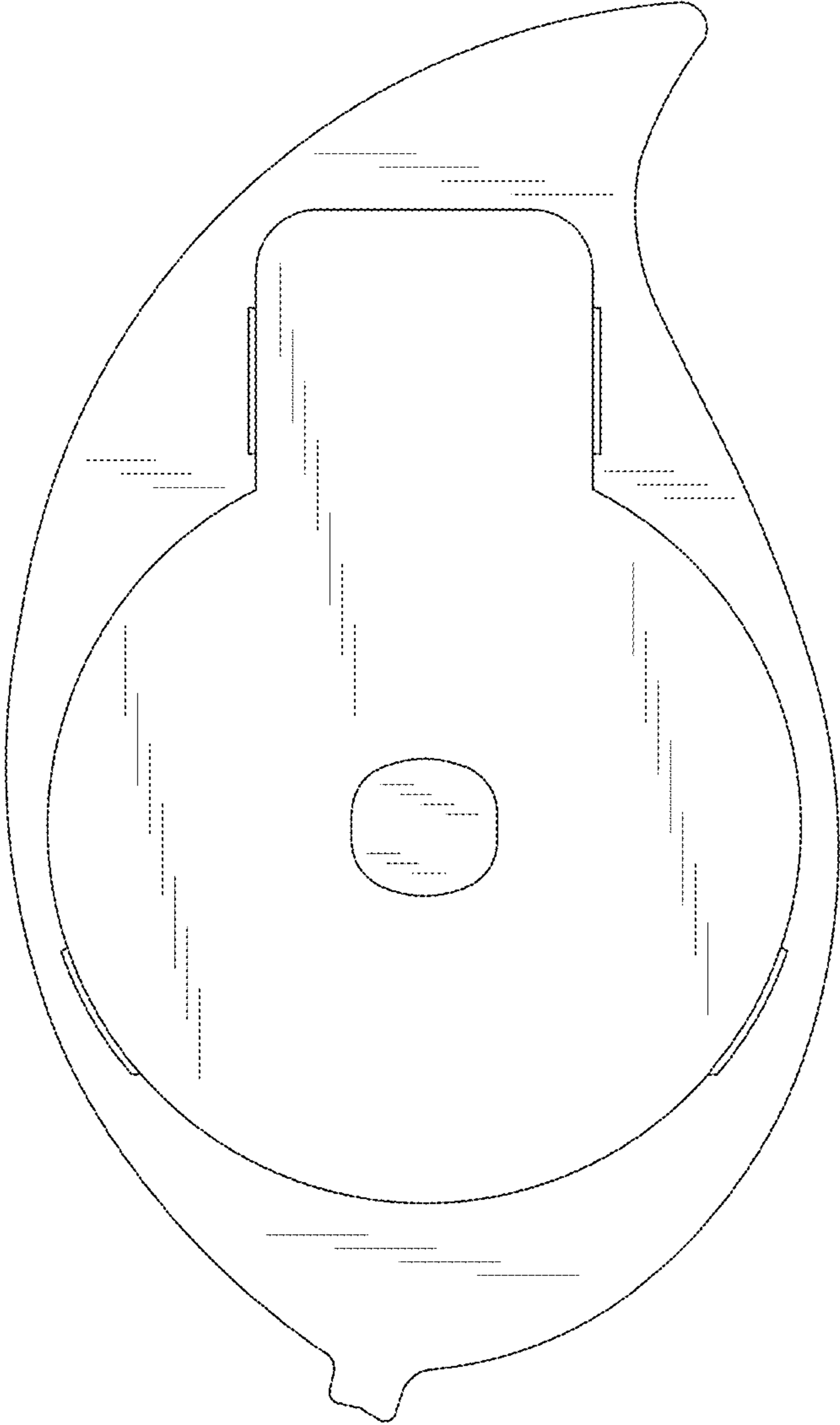


FIG.2

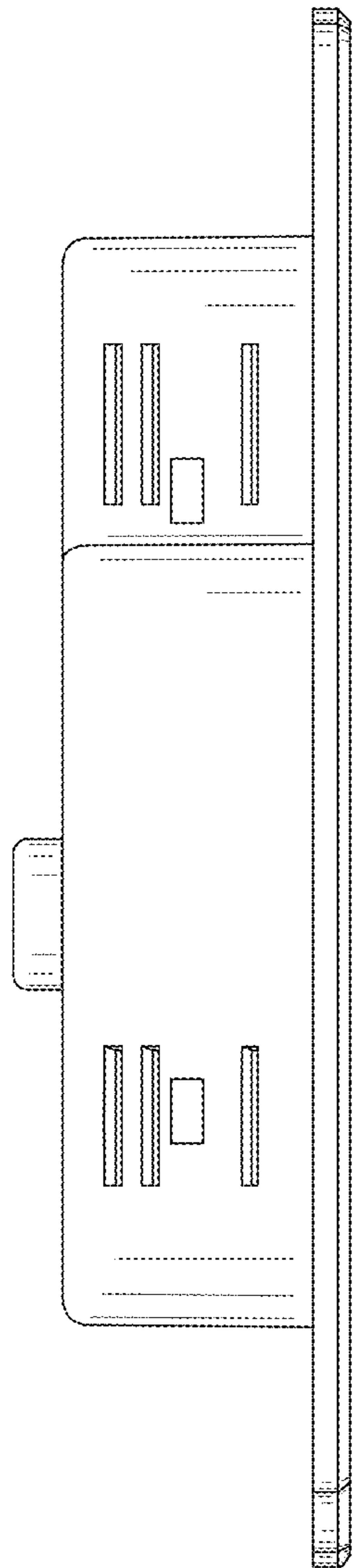


FIG.3

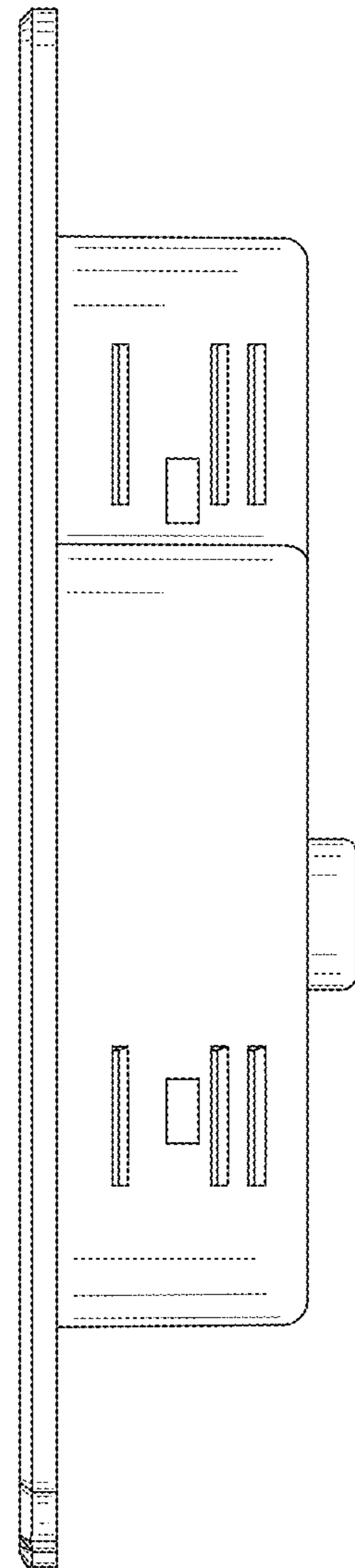


FIG.4

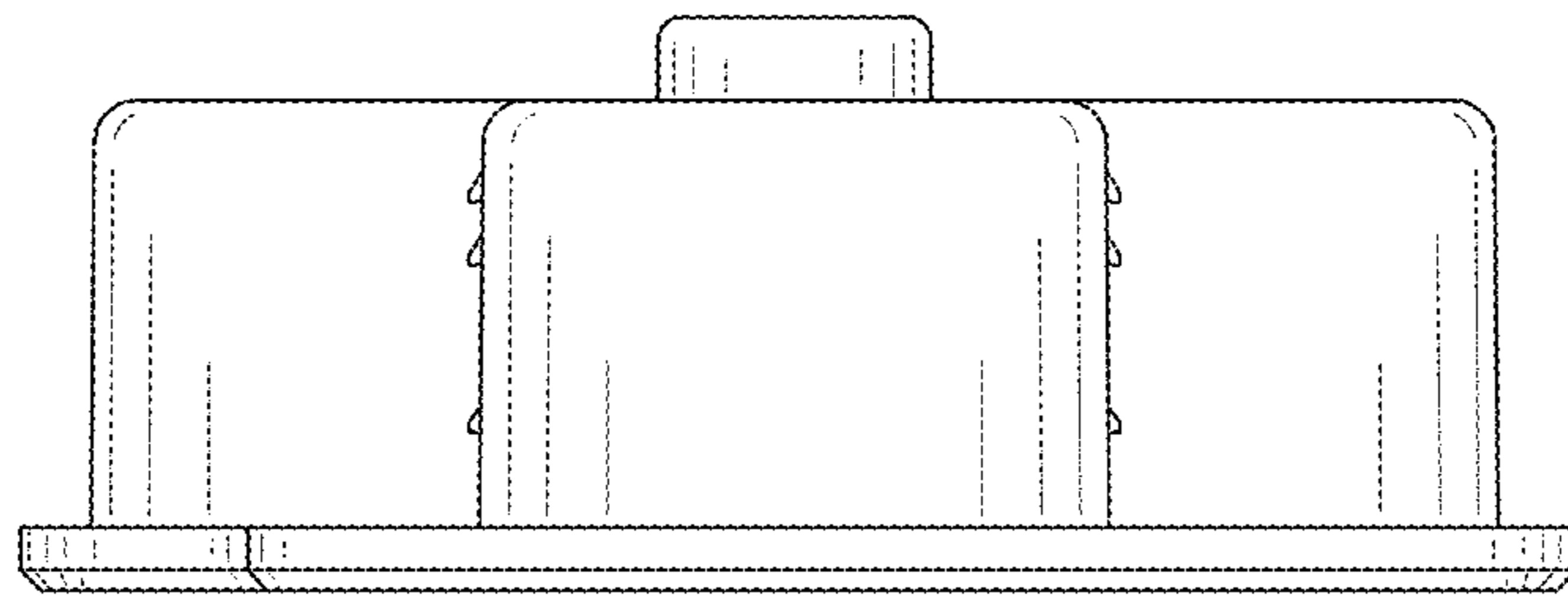


FIG. 5

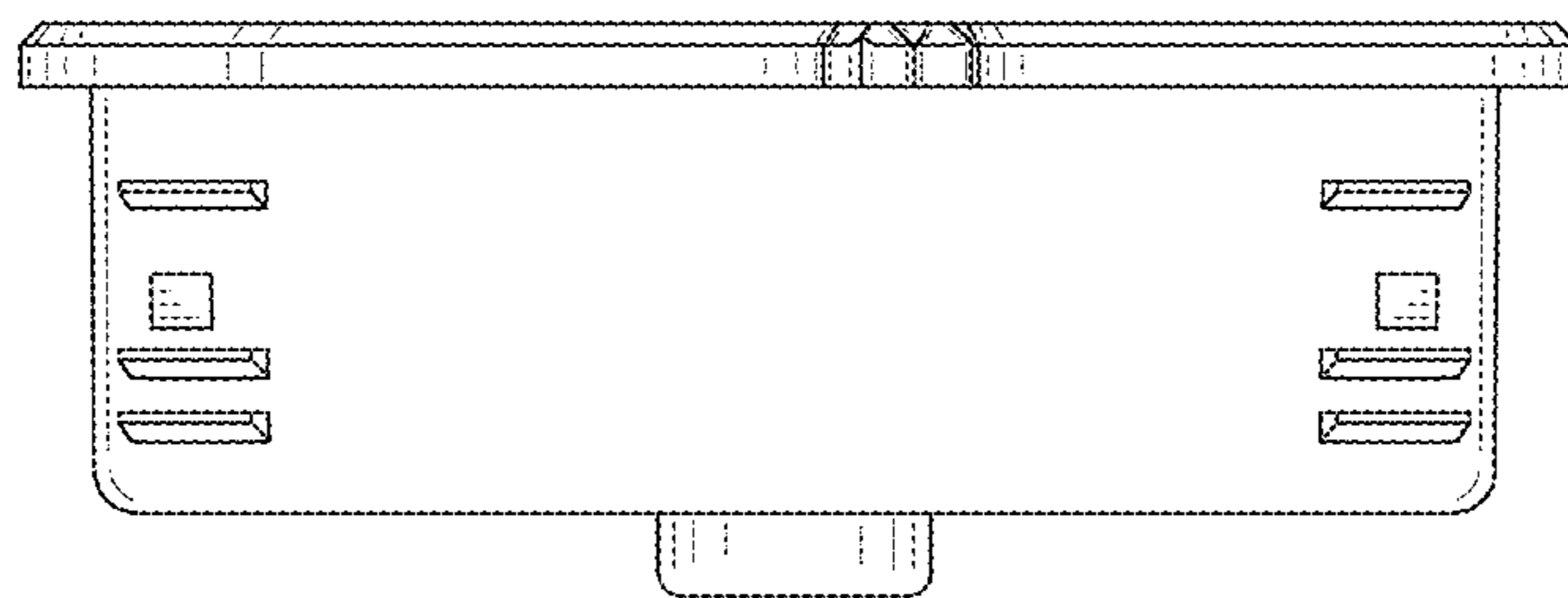


FIG. 6

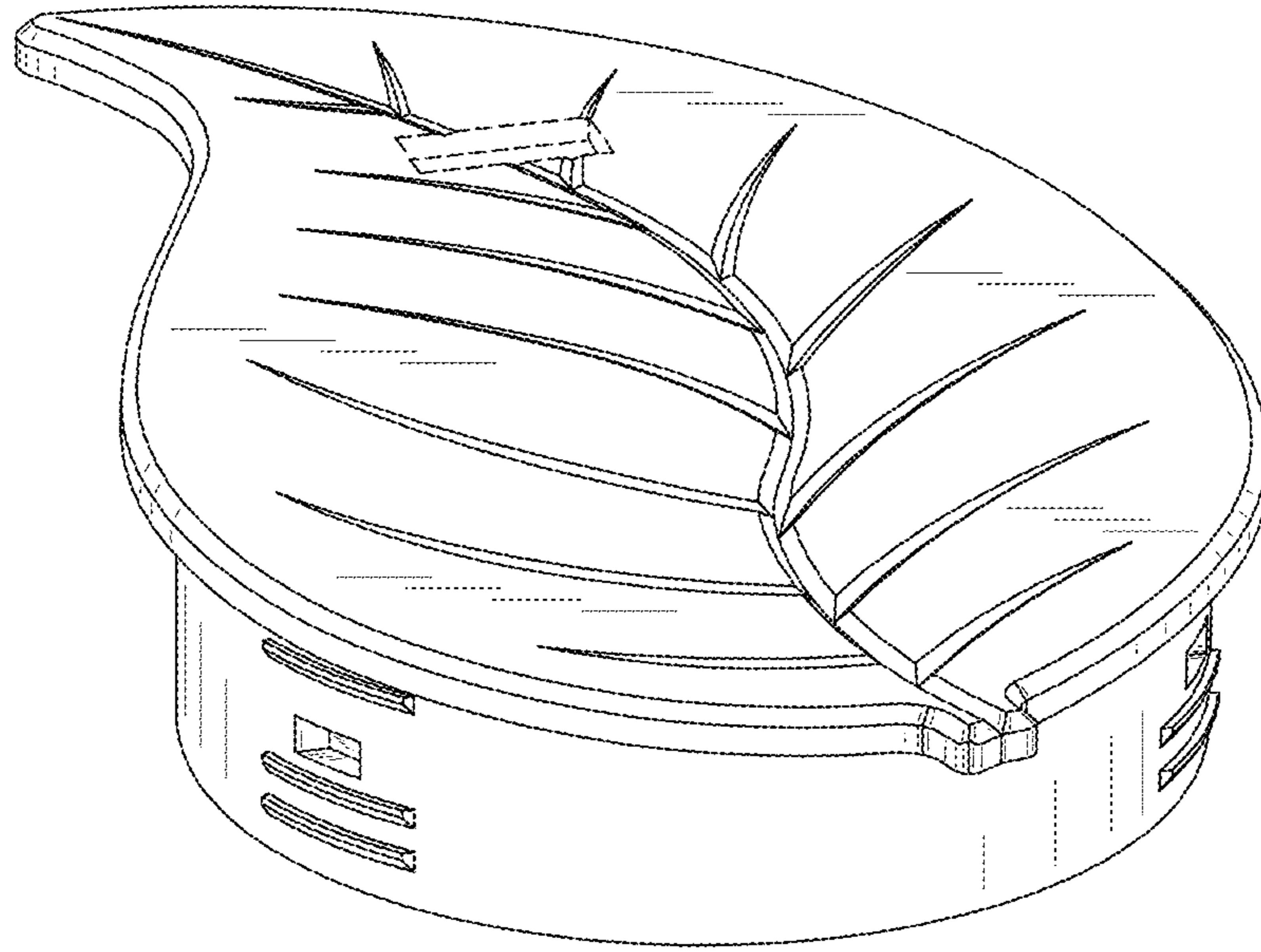


FIG. 7

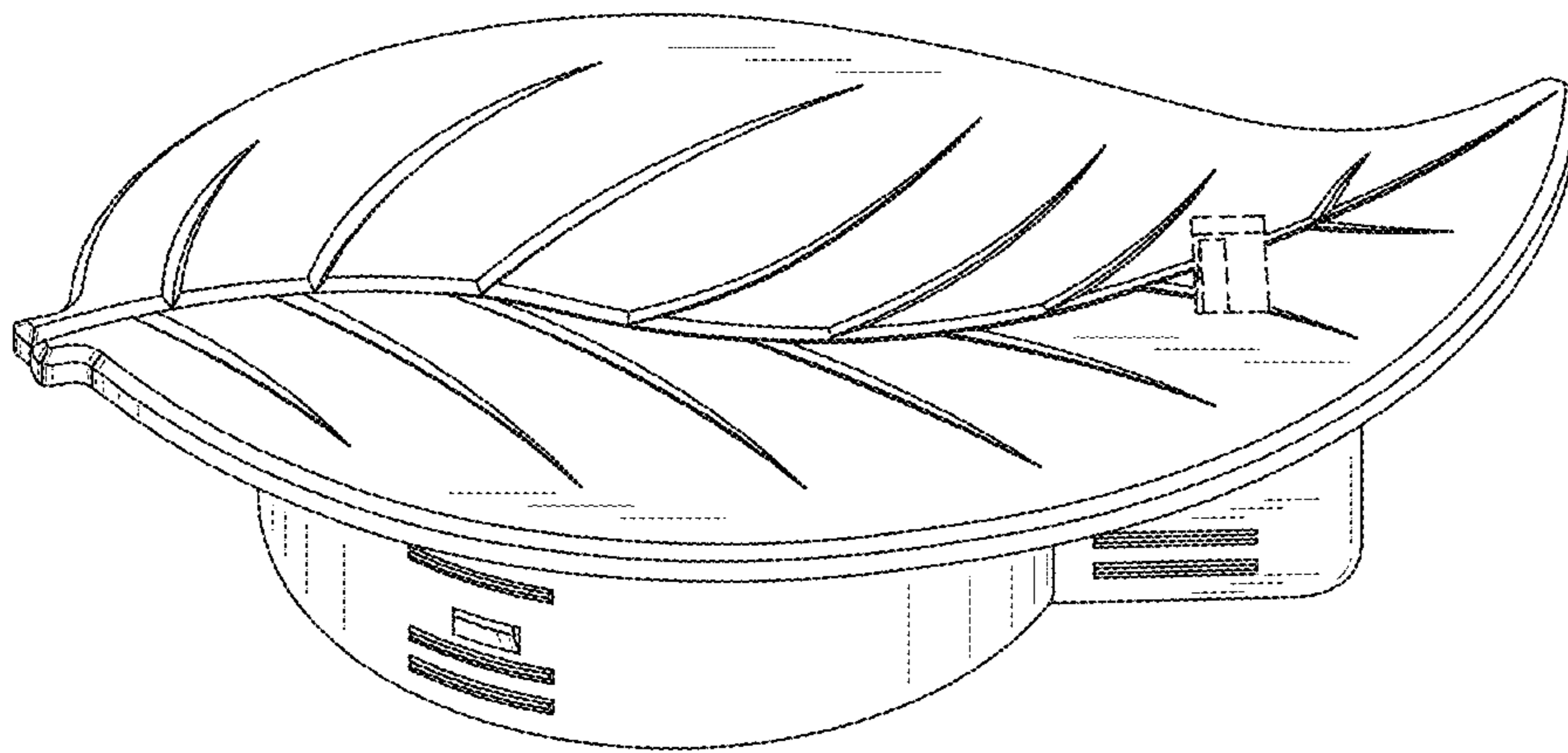


FIG. 8