



US00D778829S

(12) **United States Design Patent**
Marmus

(10) **Patent No.:** **US D778,829 S**

(45) **Date of Patent:** **** Feb. 14, 2017**

(54) **CHARGING STATION**

D722,958 S * 2/2015 Kotaniemi D13/108
D743,966 S * 11/2015 Izen D14/434
D761,729 S * 7/2016 Leong D13/108

(71) Applicant: **Atomi, Inc.**, New York, NY (US)

(72) Inventor: **Frederick Marmus**, Etobicoke (CA)

(73) Assignee: **Atomi, Inc.**, New York, NY (US)

(**) Term: **15 Years**

(21) Appl. No.: **29/527,397**

(22) Filed: **May 19, 2015**

(51) **LOC (10) Cl.** **13-02**

(52) **U.S. Cl.**
USPC **D13/108**

(58) **Field of Classification Search**
USPC D13/107-110, 118-119, 184; D14/251,
D14/253, 432, 434
CPC Y02E 60/12; Y02T 90/14; Y02T 90/122;
Y02T 90/128; Y02T 90/163; H02J 7/025;
H02J 7/0042; H02J 7/0044; H02J 7/0045;
H02J 7/0003; H01F 38/14; H01R
13/6675; H01M 2/1022; H01M 2/1055;
H01M 10/44; H01M 10/46; H01M
10/425; B60L 11/182

See application file for complete search history.

(56) **References Cited**

U.S. PATENT DOCUMENTS

D322,060 S	12/1991	Iino	
D639,301 S	6/2011	Anderson et al.	
D642,522 S *	8/2011	Budike, Jr.	D13/108
D650,329 S *	12/2011	Budike, Jr.	D13/108
D669,430 S	10/2012	Budike	
D675,622 S *	2/2013	Petrick	D13/107
D705,722 S *	5/2014	Gengler	D13/107
D709,445 S	7/2014	Yeh	

OTHER PUBLICATIONS

Belkin PowerDock 5.TinEye, TinEYE.com [Online] [published Feb. 8, 2013] [accessed Dec. 9, 2016]<URL: https://tineye.com/search/10bdbab355d4af9aa3c27f727fc609cada2c195d/?sort=crawl_date&order=asc>.*

* cited by examiner

Primary Examiner — Rosemary K Tarcza

Assistant Examiner — Nathaniel D Buckner

(74) *Attorney, Agent, or Firm* — Gordon & Jacobson, P.C.

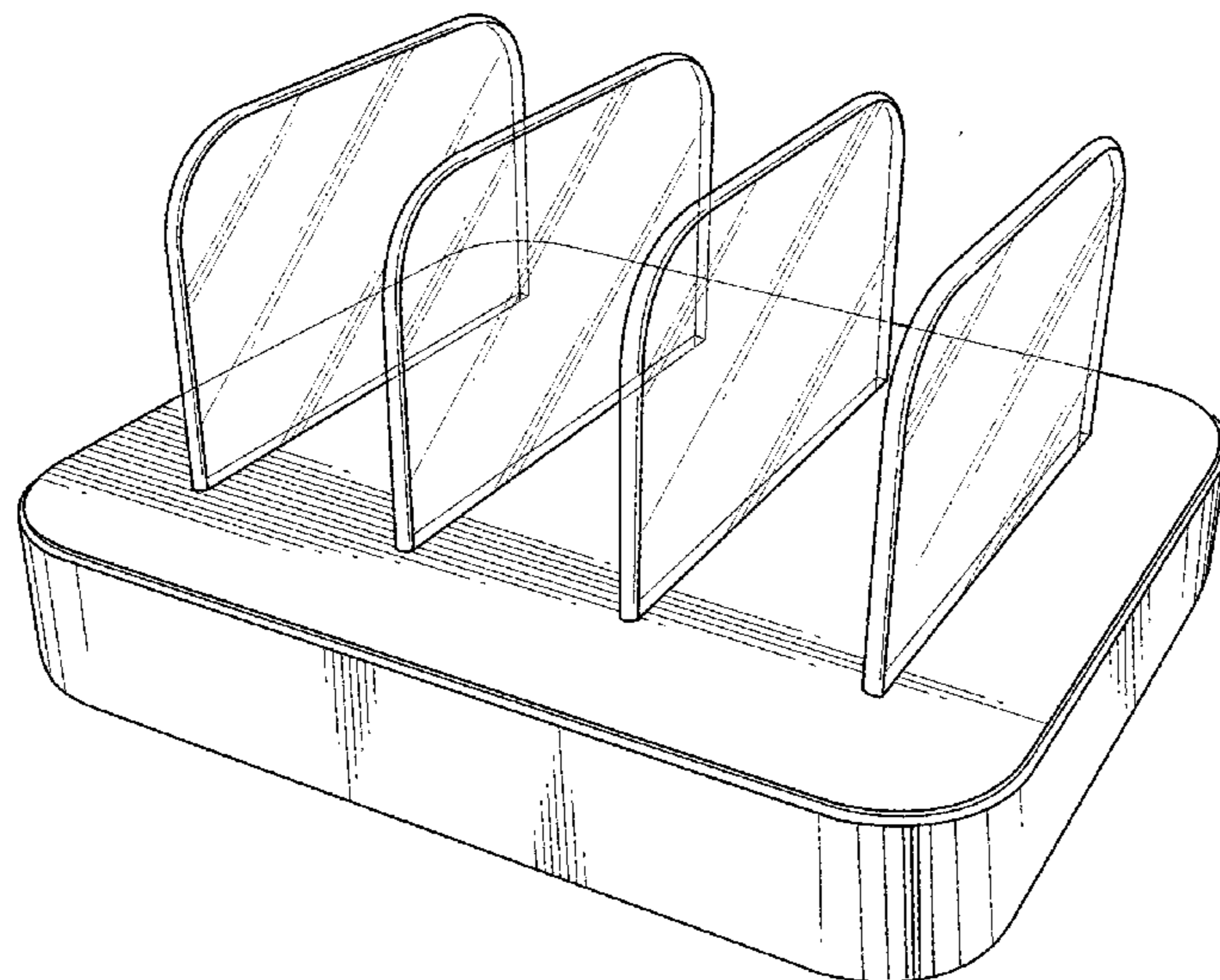
(57) **CLAIM**

The ornamental design for a charging station, as shown and described.

DESCRIPTION

FIG. 1 is a perspective view of a charging station; FIG. 2 is a top view of the charging station of FIG. 1; FIG. 3 is a bottom view of the charging station of FIG. 1; FIG. 4 is a back view of the charging station of FIG. 1; FIG. 5 is a front view of the charging station of FIG. 1; FIG. 6 is a left side view of the charging station of FIG. 1; and, FIG. 7 is a right side view of the charging station of FIG. 1. The broken away symbol in the drawings indicates that any portion of the article beyond what is shown forms no part of the claimed design. The broken lines in the drawings are for the purpose of illustrating unclaimed portions of the battery charger and form no part of the claimed design.

1 Claim, 4 Drawing Sheets



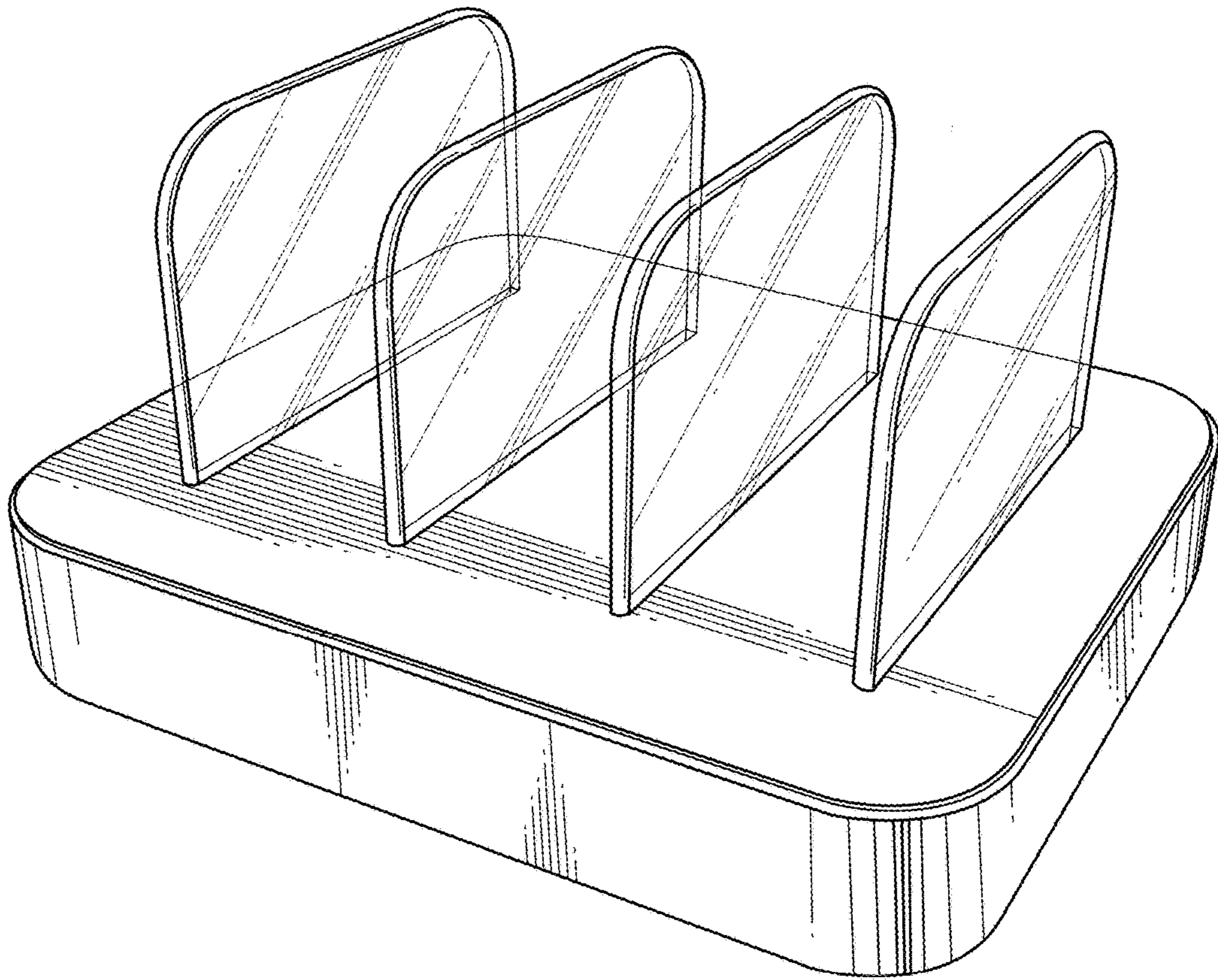


Fig. 1

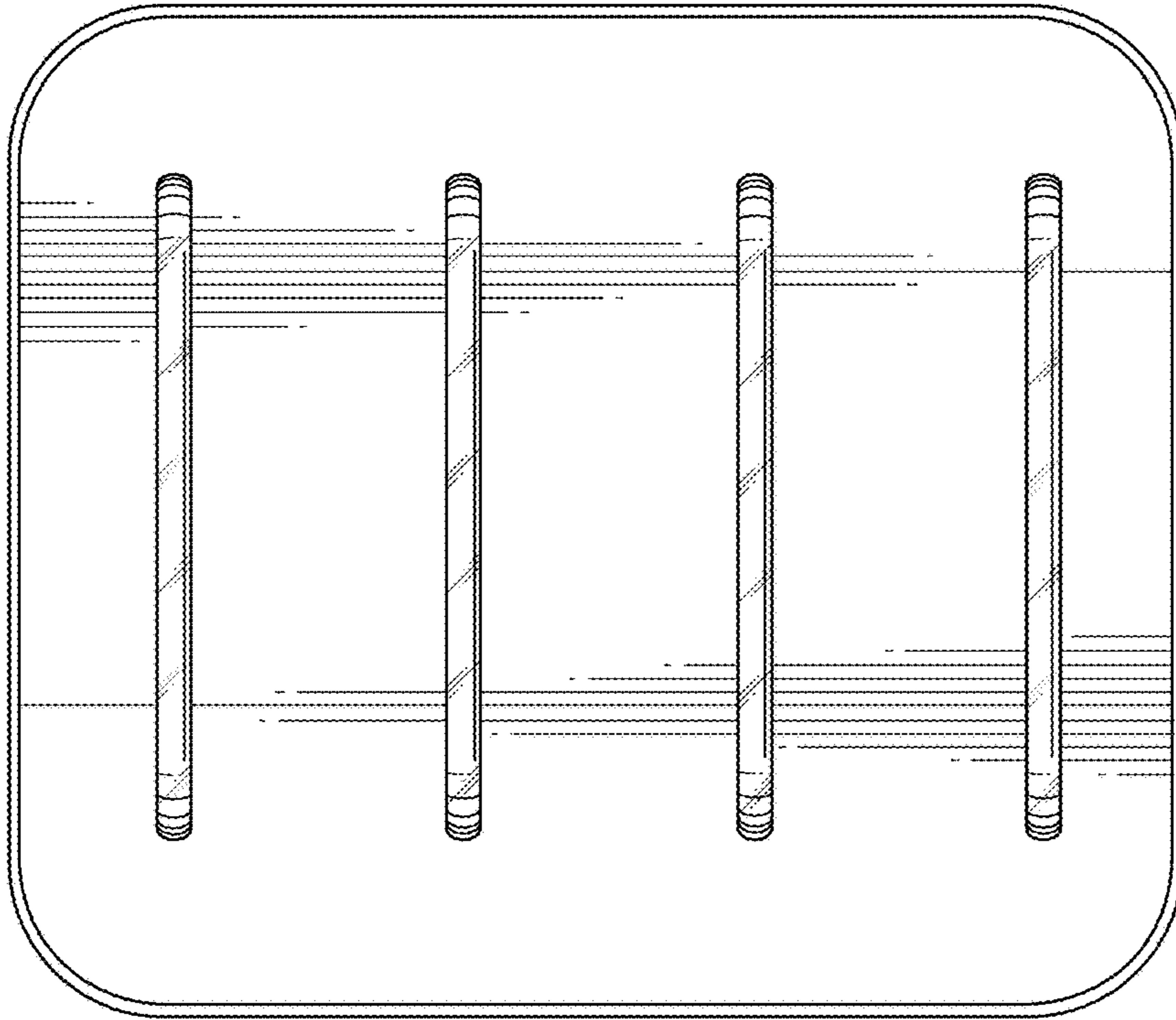


Fig. 2

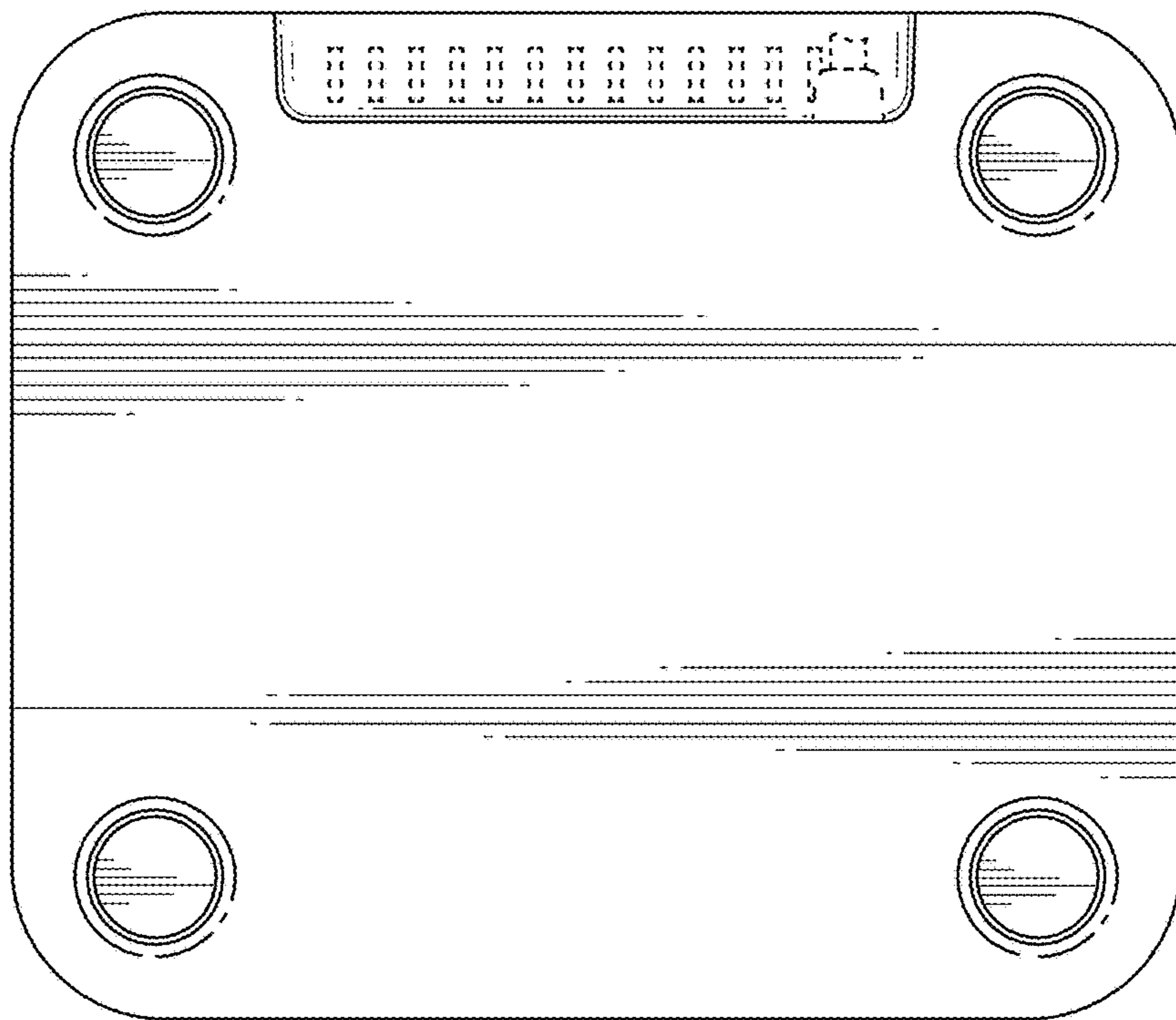


Fig. 3

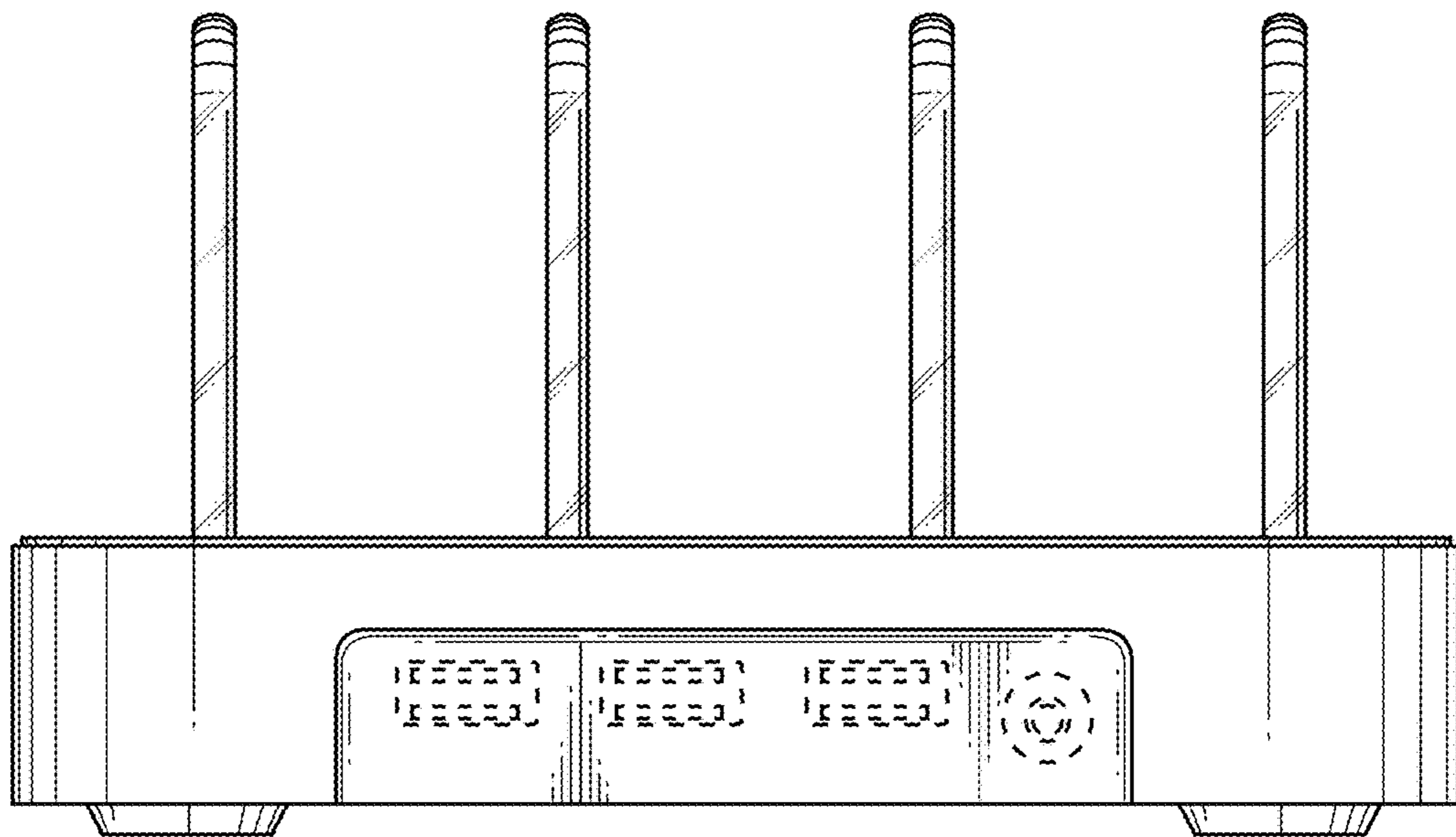


Fig. 4

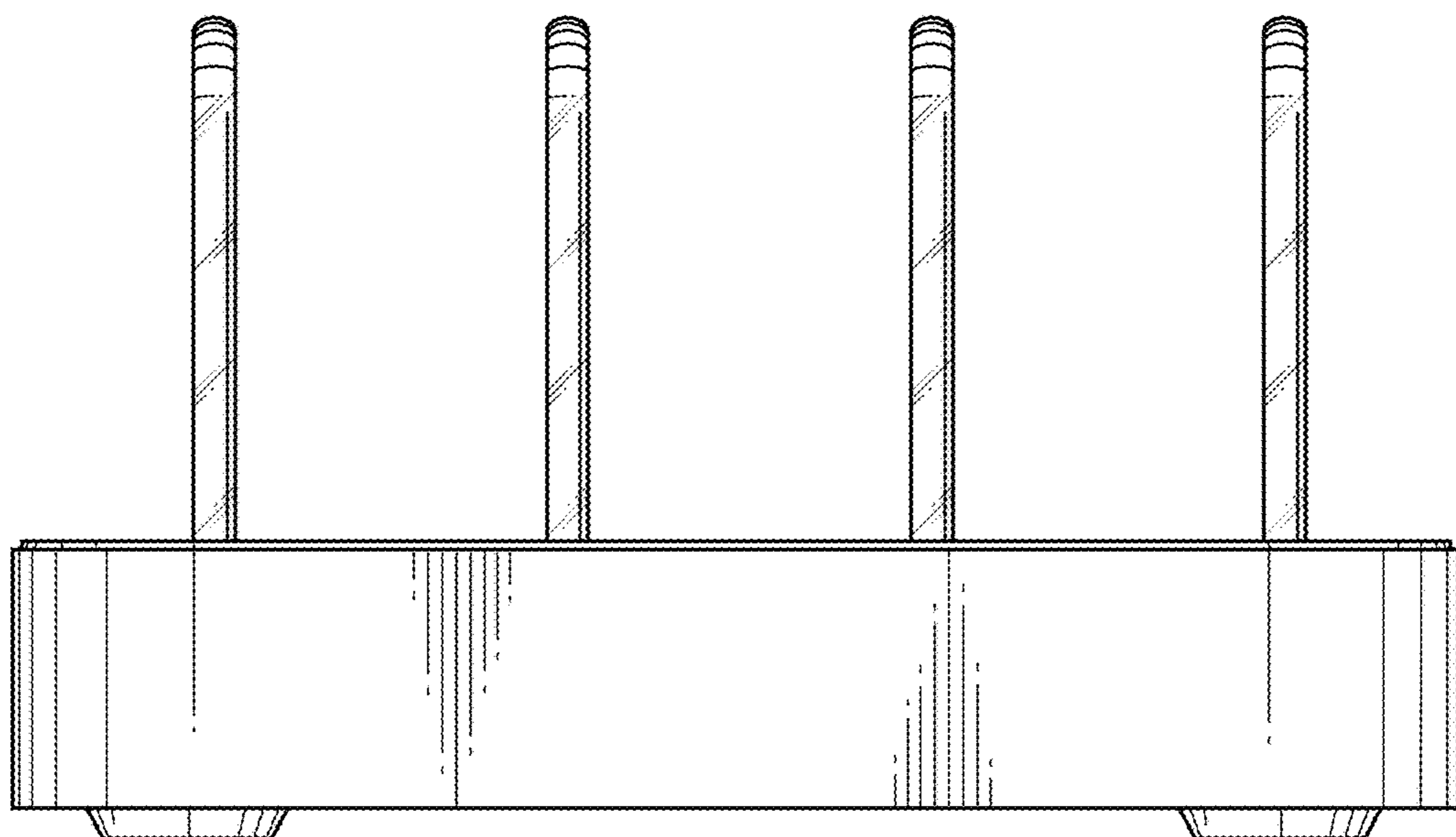


Fig. 5

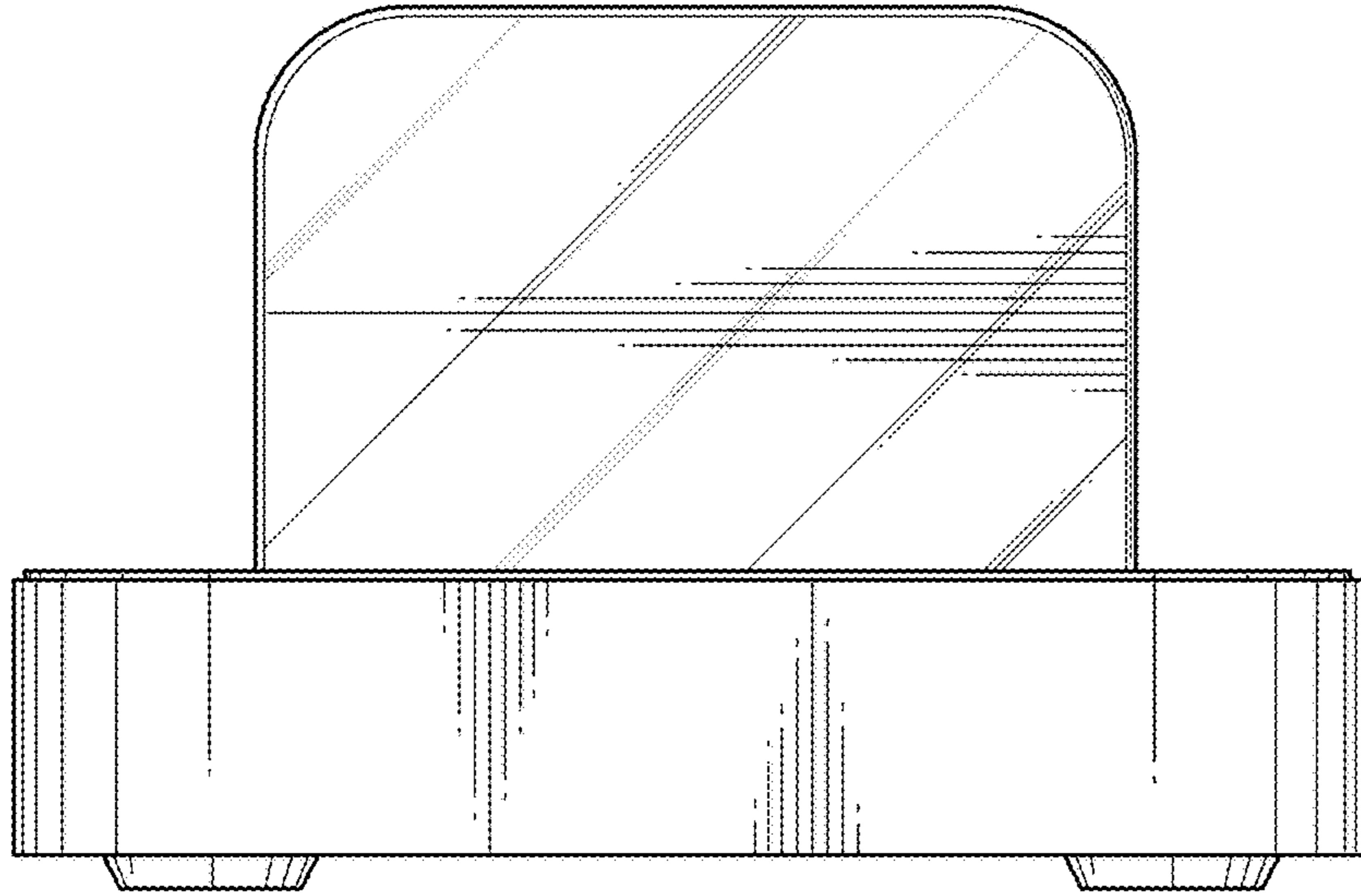


Fig. 6

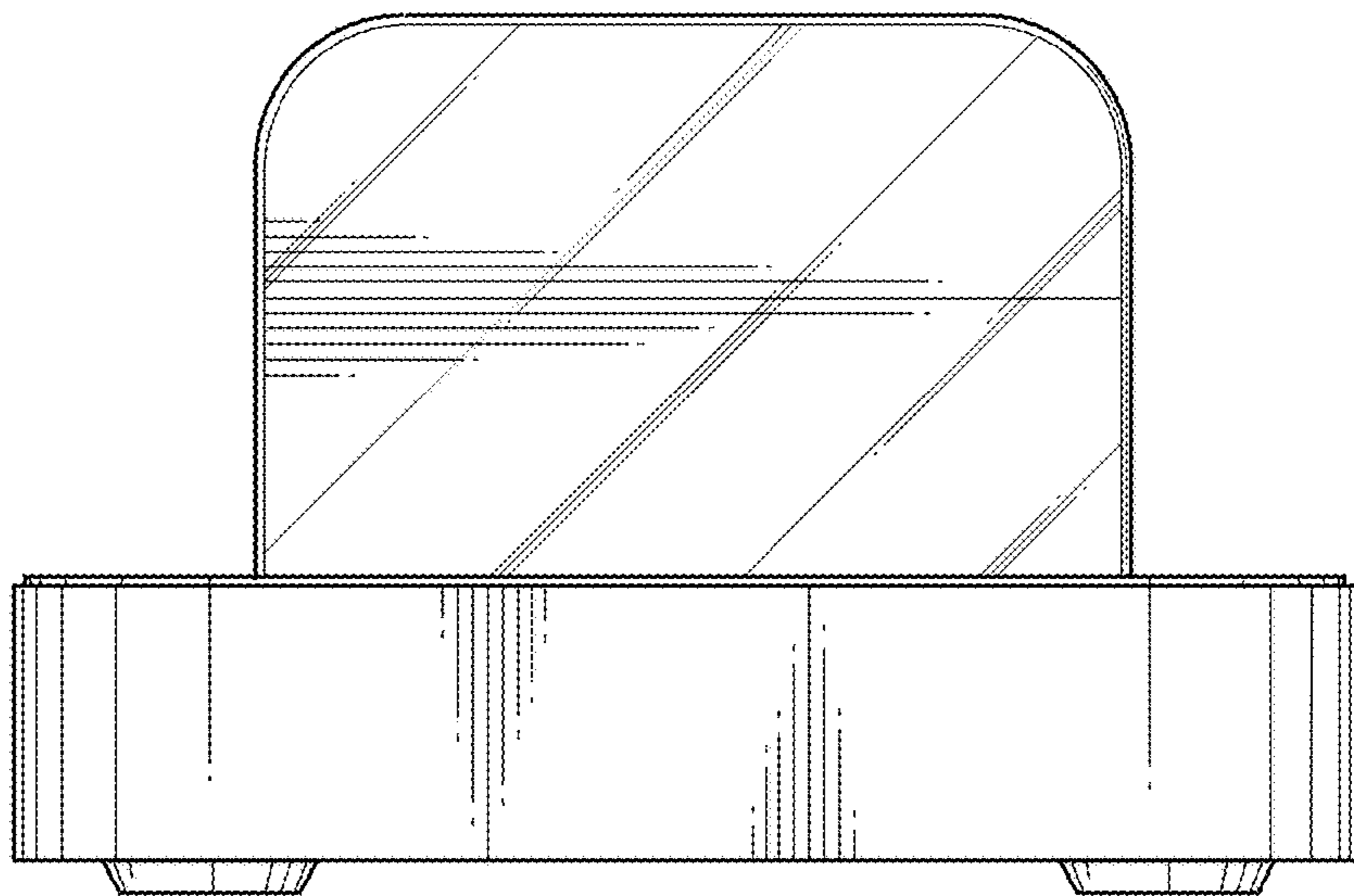


Fig. 7