



US00D778828S

(12) **United States Design Patent**  
**Morgan**

(10) **Patent No.:** **US D778,828 S**

(45) **Date of Patent:** **\*\* Feb. 14, 2017**

(54) **PORTABLE BATTERY CHARGER**

(71) Applicant: **Brand New Days Limited**, Kowloon (HK)

(72) Inventor: **Jeremy Morgan**, Paris (FR)

(73) Assignee: **Brand New Days Limited**, Lai Chi Kok, Kowloon (HK)

(\*\*) Term: **14 Years**

(21) Appl. No.: **29/499,161**

(22) Filed: **Aug. 12, 2014**

(51) **LOC (10) Cl.** ..... **13-02**

(52) **U.S. Cl.**  
USPC ..... **D13/108**

(58) **Field of Classification Search**

USPC ..... D13/102–110, 118–119, 184, 199, 133, D13/144; D14/251, 253, 432, 434, 356, D14/155; D15/9; 439/300, 620.01, 638, 439/668–669, 675, 825; 320/107–115  
CPC ..... Y02E 60/12; Y02E 60/10; Y02E 60/122; Y02E 60/124; Y02E 60/50; Y02T 90/14; Y02T 90/122; Y02T 90/128; Y02T 90/163; H02J 7/025; H02J 7/0042; H02J 7/0044; H02J 7/0045; H02J 7/0003; H02J 7/00; H02J 7/0011; H02J 7/0013; H02J 7/0054; H02J 7/0055; H02J 7/0057; H02J 2007/0062; H01F 38/14; H01R 13/6675; H01M 2/02; H01M 2/022; H01M 2/0202; H01M 2/0207; H01M 2/0212; H01M 2/1061; H01M 2/1022; H01M 2/1055; H01M 2/1066; H01M 2/105; H01M 2/204; H01M 10/44; H01M 10/46; H01M 10/425; H01M 10/465; H01M 10/482; H01M 10/4257; H01M 10/0436; H01M

(Continued)

(56) **References Cited**

U.S. PATENT DOCUMENTS

D361,538 S \* 8/1995 Hill ..... D13/110  
D406,561 S \* 3/1999 Goto ..... D13/103

(Continued)

*Primary Examiner* — Rosemary K Tarcza

*Assistant Examiner* — Sanjeev Paul

(74) *Attorney, Agent, or Firm* — Avery, Whigham & Winesett, P.A.; Nathan Stamey Winesett

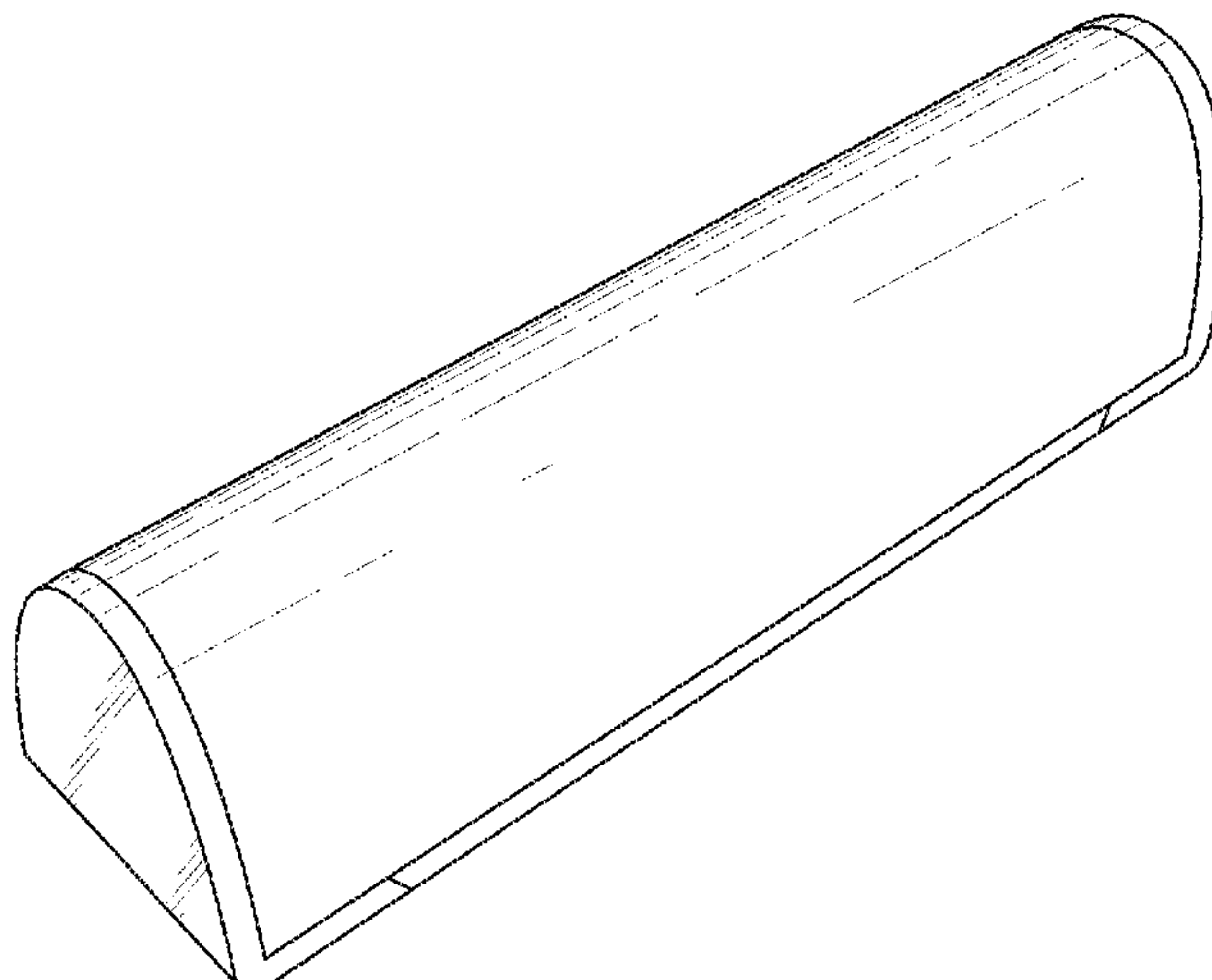
(57) **CLAIM**

What is claimed is the ornamental design for portable battery charger, as shown and described herein.

**DESCRIPTION**

FIG. 1 is a ¾ view of a portable battery charger showing the new design;  
FIG. 2 is a top view of the portable battery charger shown in FIG. 1;  
FIG. 3 is a bottom view of the portable battery charger shown in FIG. 1;  
FIG. 4 is a right side view of the portable battery charger shown in FIG. 1;  
FIG. 5 is a left side view of the portable battery charger shown in FIG. 1;  
FIG. 6 is a front view of the portable battery charger shown in FIG. 1;  
FIG. 7 is a back view of the portable battery charger shown in FIG. 1;  
FIG. 8 is a front view of the portable battery charger shown in FIG. 1 with the front cover opened, whereby the broken lines shown in the drawing are for the purpose of illustrating unclaimed portions of the power bank and form no part of the claimed design;  
FIG. 9 is a back view of the portable battery charger shown in FIG. 1 with the back cover opened;  
FIG. 10 is a right side view of the portable battery charger shown in FIG. 1 with the front and back covers opened; and, FIG. 11 is a left side view of the portable battery charger shown in FIG. 1 with the front and back covers opened.

**1 Claim, 6 Drawing Sheets**



(58) **Field of Classification Search**

CPC ..... 10/48;H01M 2200/30; H01M 2250/30;  
H01M 2250/40; B60L 11/182

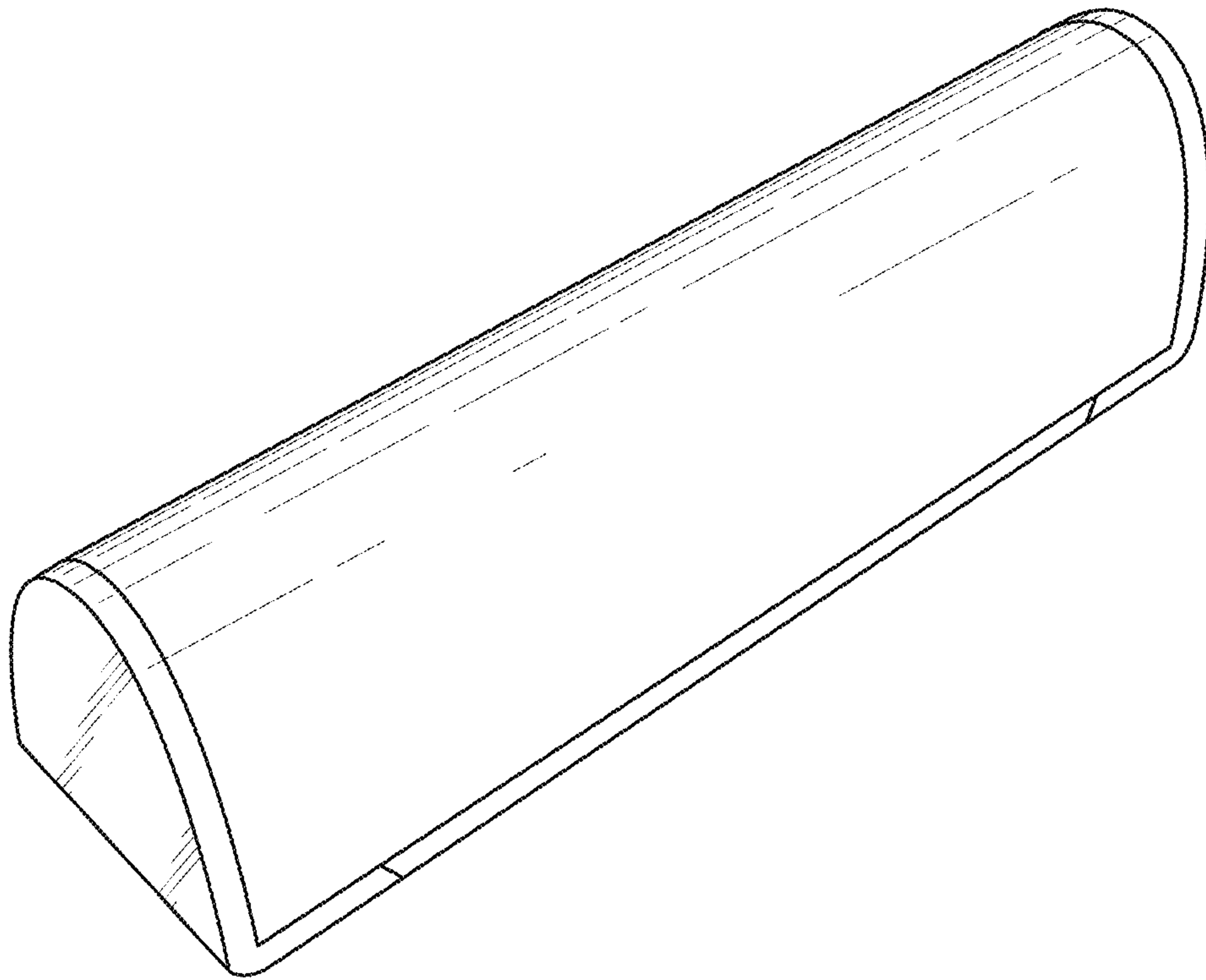
See application file for complete search history.

(56) **References Cited**

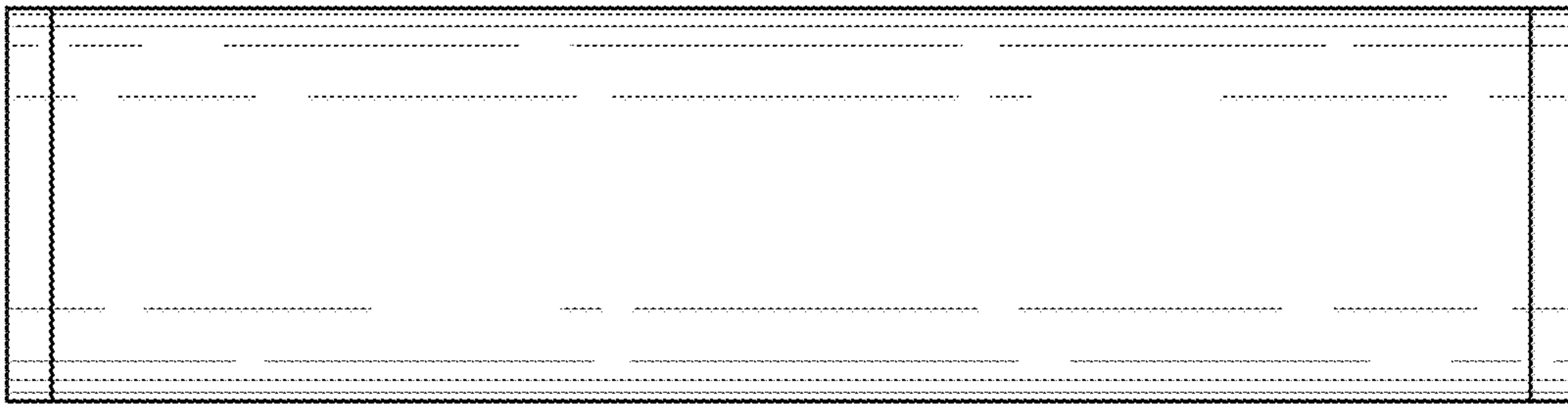
U.S. PATENT DOCUMENTS

D443,584 S *	6/2001	Breyton .....	D13/103
D459,298 S *	6/2002	Locke .....	D13/103
D489,679 S *	5/2004	Wong .....	D13/103
D552,081 S *	10/2007	Yano .....	D13/110
D555,085 S *	11/2007	Kim .....	D13/103
D645,817 S *	9/2011	Sasada .....	D13/108
D664,920 S *	8/2012	Huang .....	D13/107
D665,346 S *	8/2012	Kumagai .....	D13/108
D704,632 S *	5/2014	On .....	D13/108

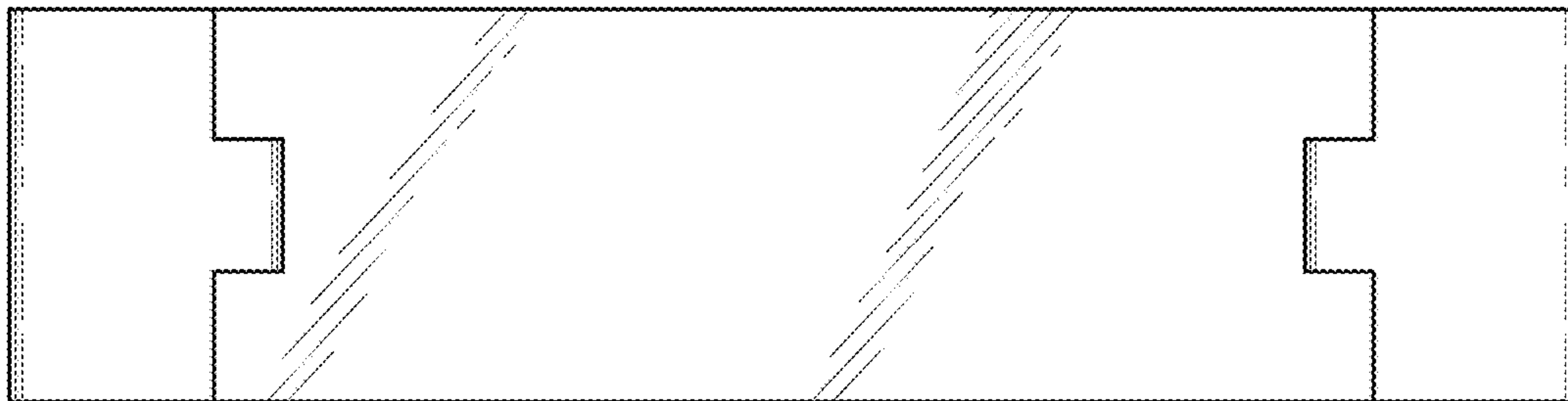
\* cited by examiner



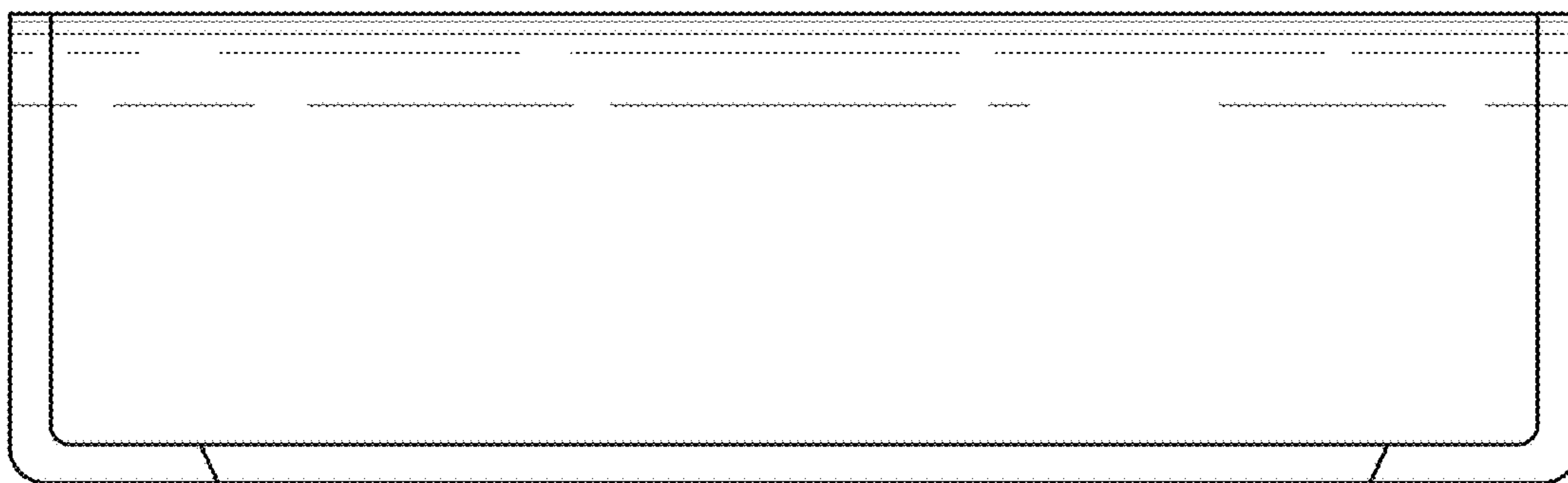
***Fig. 1***



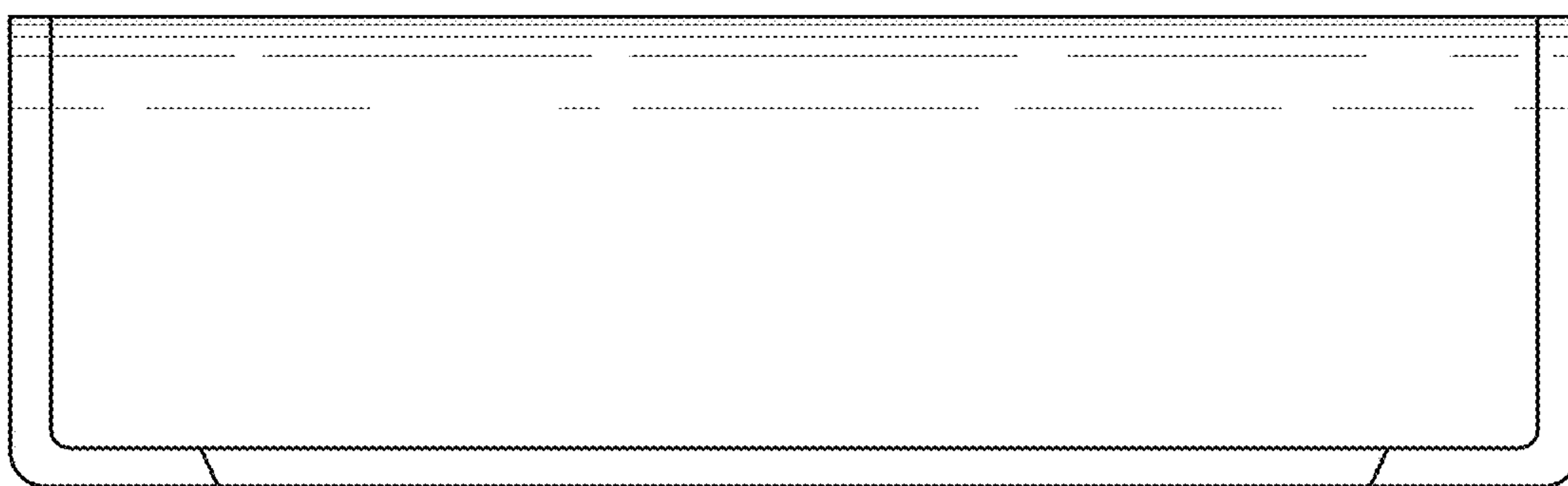
**Fig. 2**



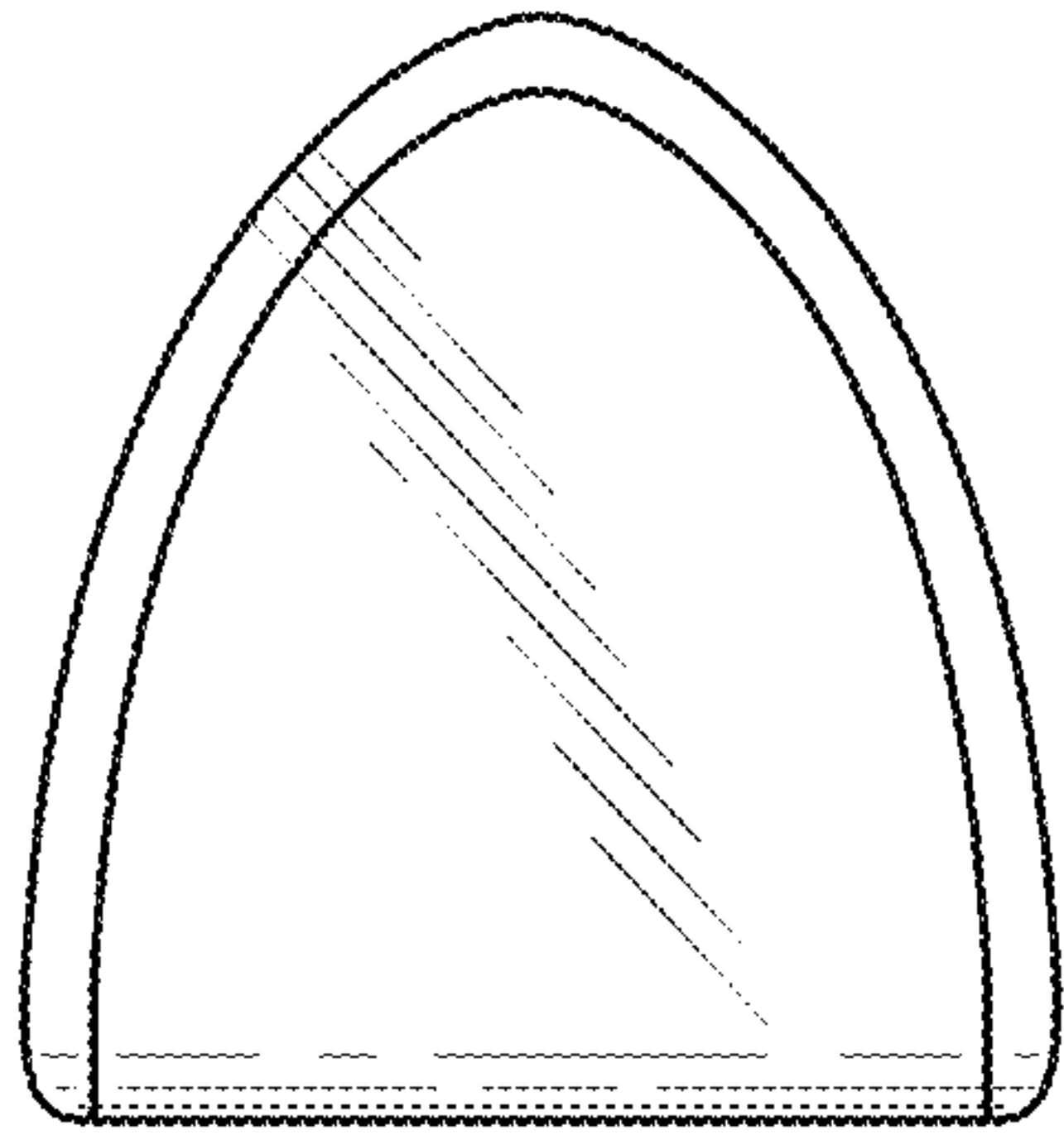
**Fig. 3**



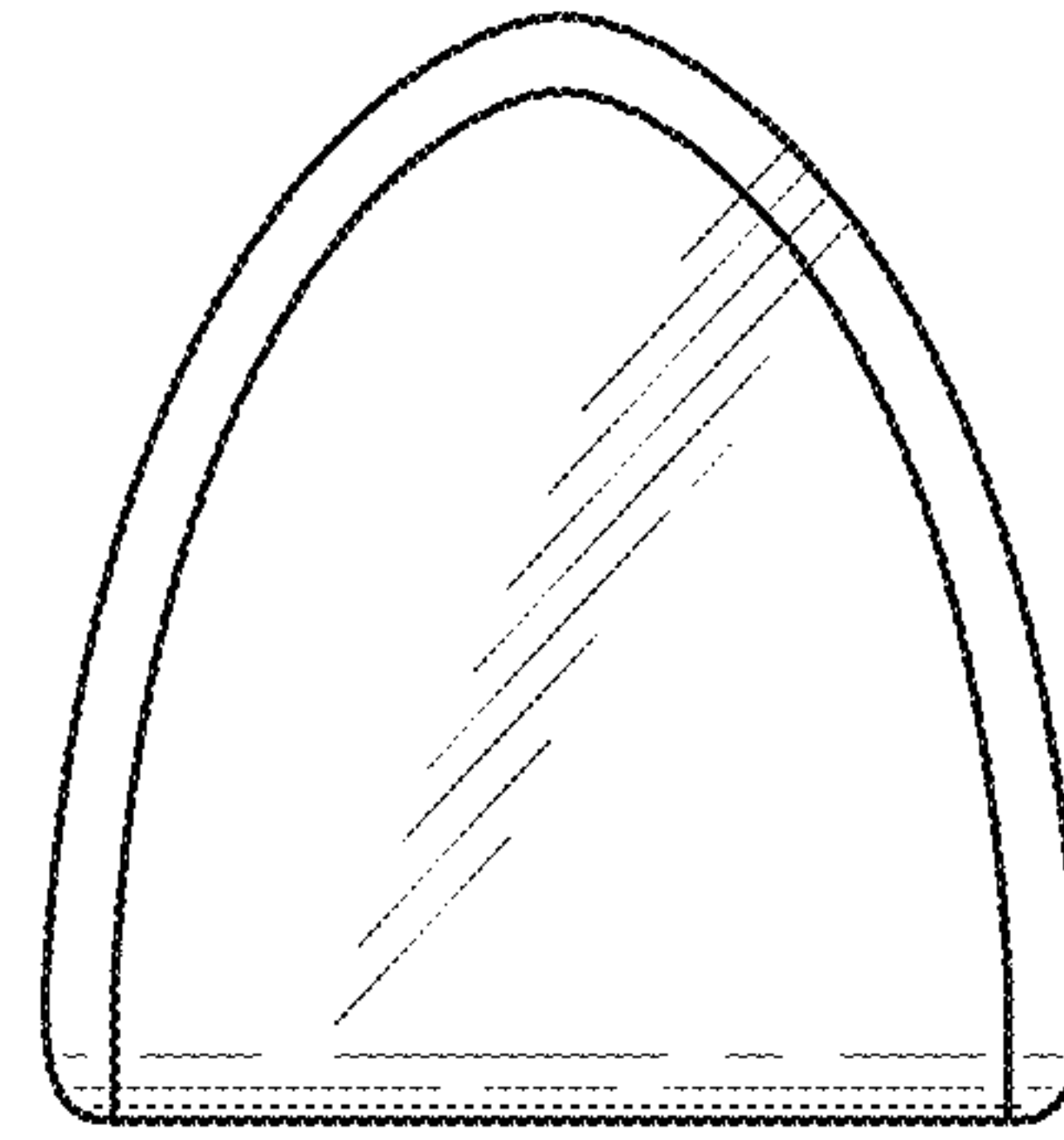
**Fig. 4**



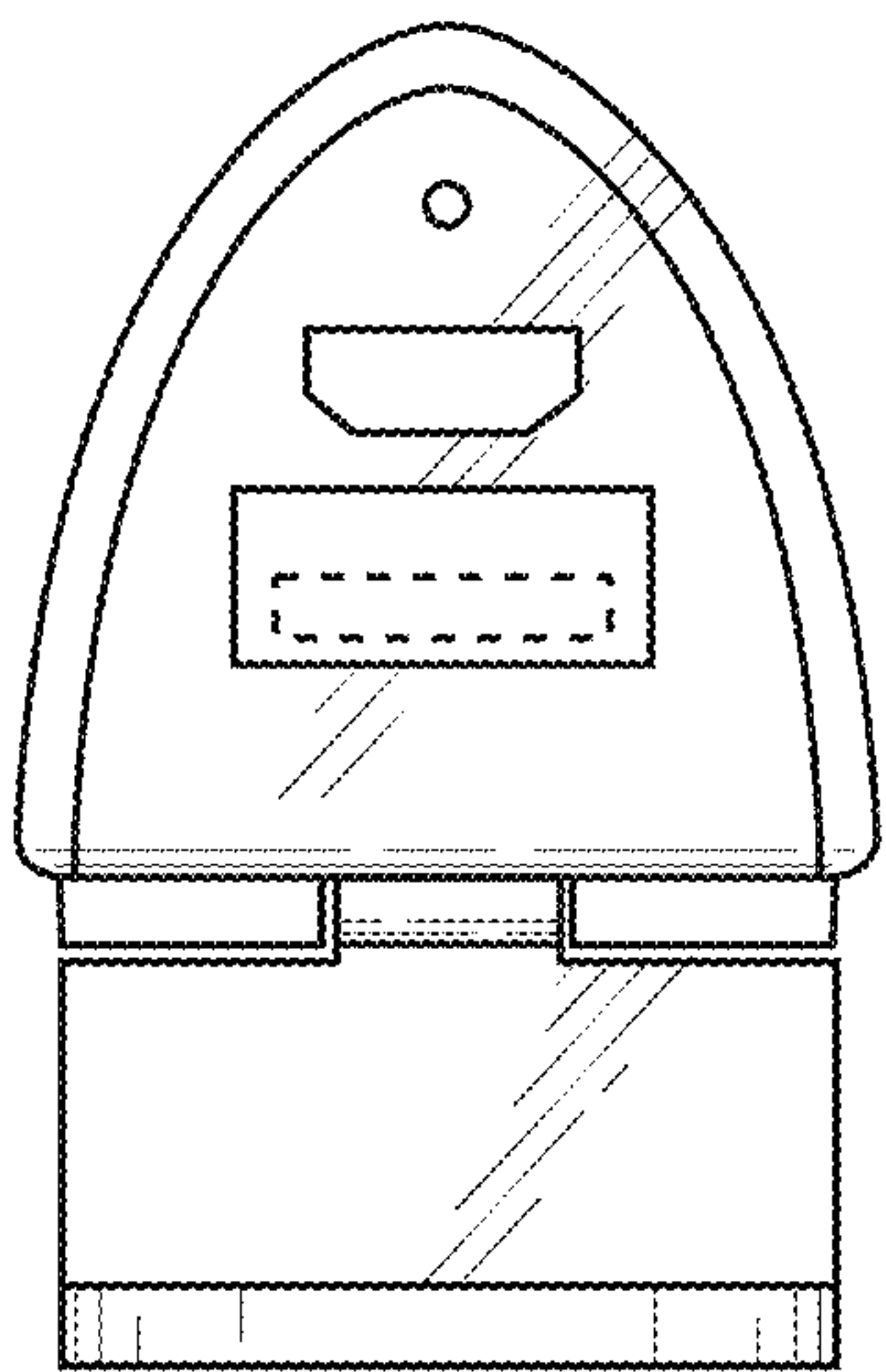
**Fig. 5**



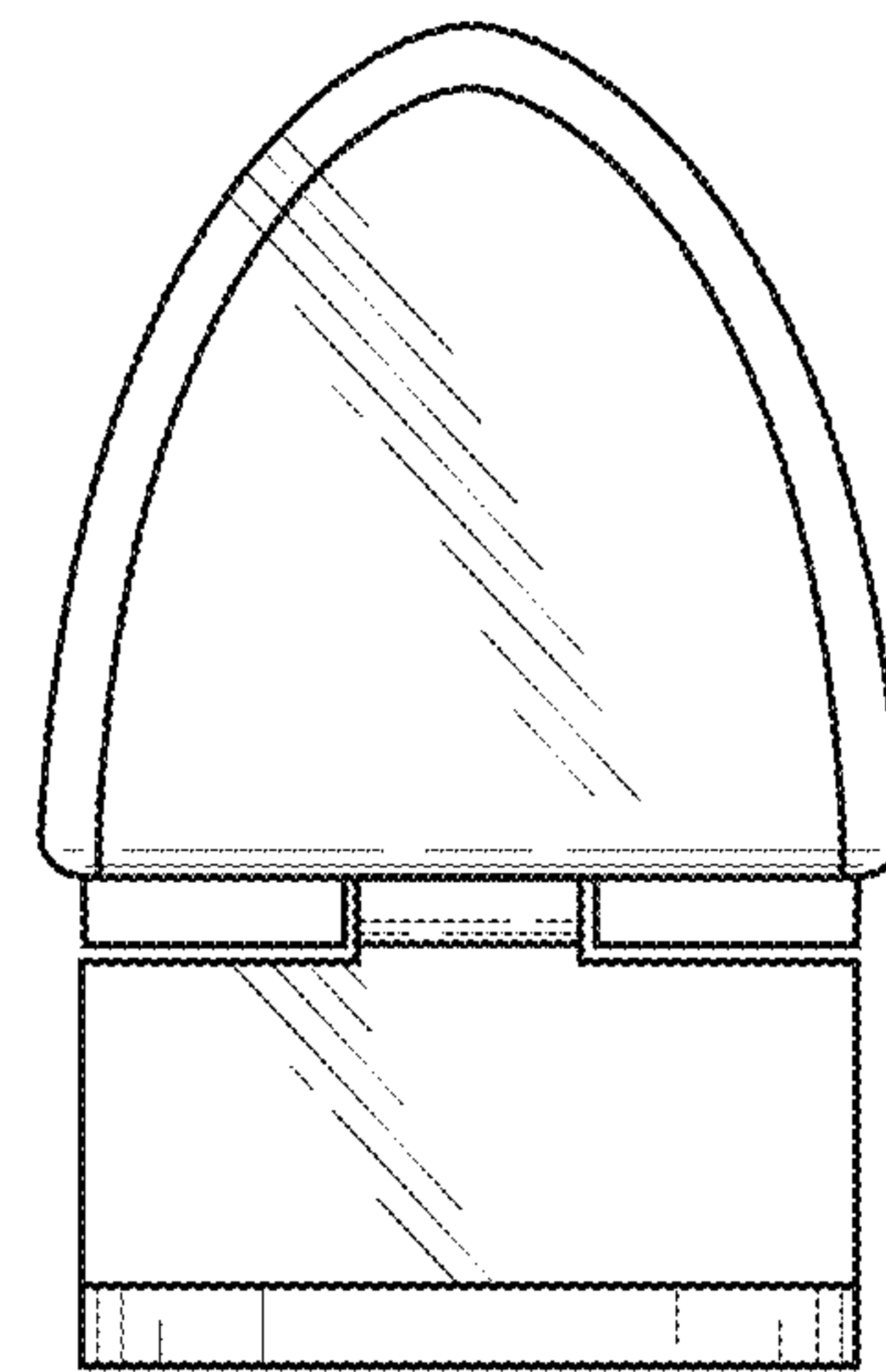
**Fig. 6**



**Fig. 7**

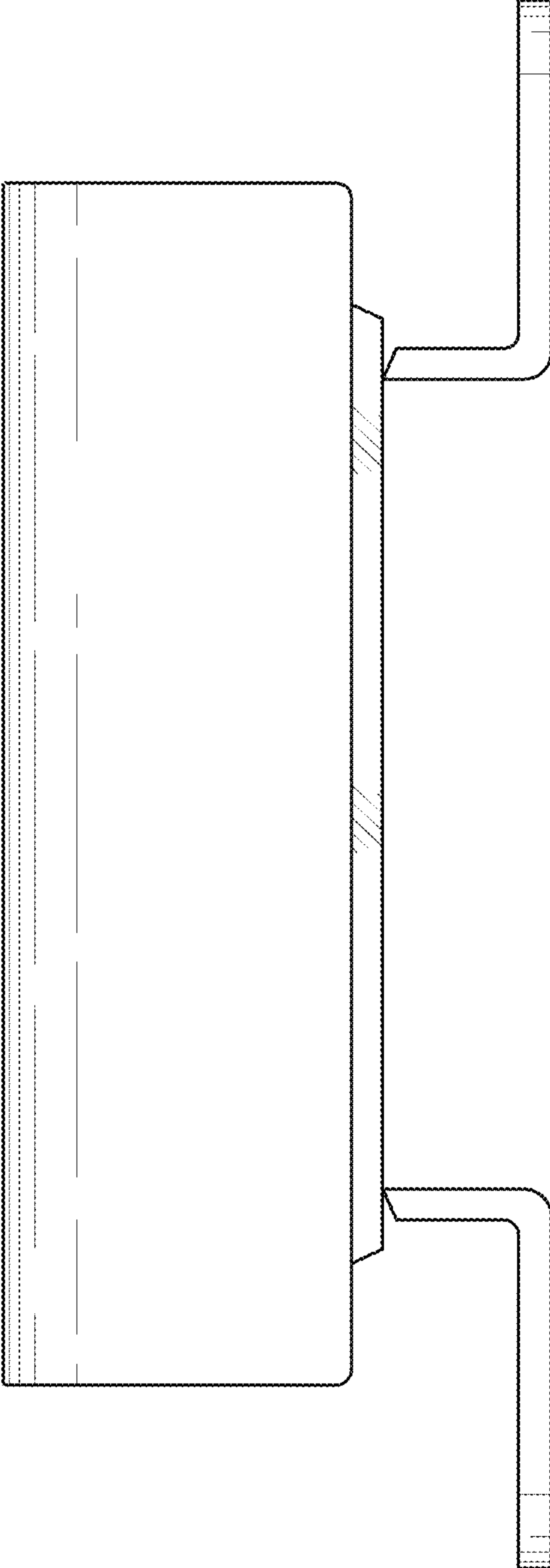


**Fig. 8**

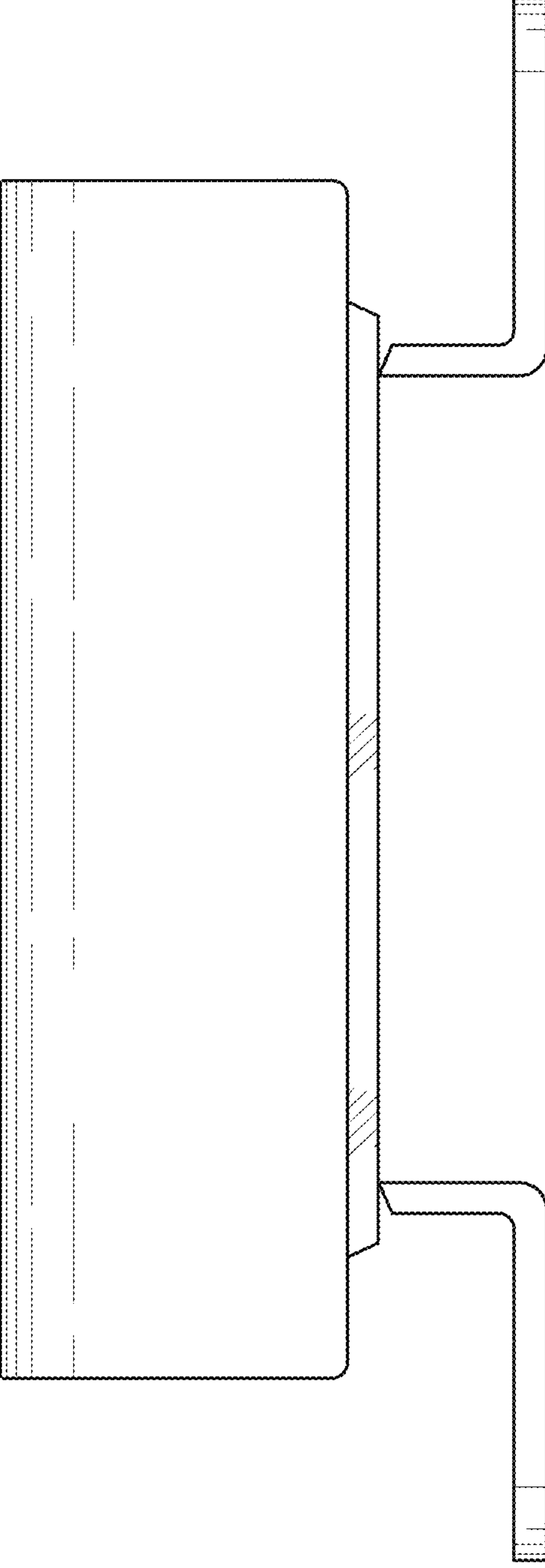


**Fig. 9**





**Fig. 10**



**Fig. 11**