



US00D778826S

(12) **United States Design Patent**  
**Broadhurst, IV et al.**

(10) **Patent No.:** **US D778,826 S**  
(45) **Date of Patent:** **\*\* Feb. 14, 2017**

(54) **PORTABLE CHARGER**

(71) Applicant: **Battery-Biz, Inc.**, Camarillo, CA (US)

(72) Inventors: **Douglas S. Broadhurst, IV**, Thousand Oaks, CA (US); **Ernesto J. Rodriguez**, Simi Valley, CA (US)

(73) Assignee: **Battery-Biz, Inc.**, Camarillo, CA (US)

(\*\*) Term: **15 Years**

(21) Appl. No.: **29/550,625**

(22) Filed: **Jan. 5, 2016**

(51) **LOC (10) Cl.** ..... **13-02**

(52) **U.S. Cl.**  
USPC ..... **D13/107**

(58) **Field of Classification Search**  
USPC ..... D13/103, 107-110, 118-119, 184, 199;  
D14/251, 253, 432, 434, 356; 320/103,  
320/107-115, 135, 138, 140  
CPC ..... Y02E 60/12; H02J 7/025; H02J 7/0042;  
H02J 7/0044; H02J 7/0045; H02J 7/0003;  
H02J 7/02; H01F 38/14; H01R 13/6675;  
H01M 2/1022; H01M 2/1055; H01M  
10/44; H01M 10/46

See application file for complete search history.

(56) **References Cited**

U.S. PATENT DOCUMENTS

D597,439 S \* 8/2009 Williams ..... D11/91  
D627,729 S \* 11/2010 Smith ..... D13/108  
D702,631 S \* 4/2014 Esses ..... D13/108  
D702,632 S \* 4/2014 Salmon ..... D13/108  
D722,522 S \* 2/2015 Hasenfeld ..... D11/90

D728,475 S \* 5/2015 Behar ..... D13/110  
D762,573 S \* 8/2016 Behar ..... D13/110  
2016/0276783 A1\* 9/2016 Colahan ..... H01R 13/6675

OTHER PUBLICATIONS

Web.Archive.Org: MyBuqu Wall Chargers. Retrieved from the internet at <<https://web.archive.org/web/20160504043248/http://www.mybuqu.com/Store/Category-Viewer/wall-chargers>>. Sep. 22, 2016. 2 pages.\*

\* cited by examiner

*Primary Examiner* — Rosemary K Tarcza

*Assistant Examiner* — Christy Nemeth

(74) *Attorney, Agent, or Firm* — Oppedahl Patent Law Firm LLC

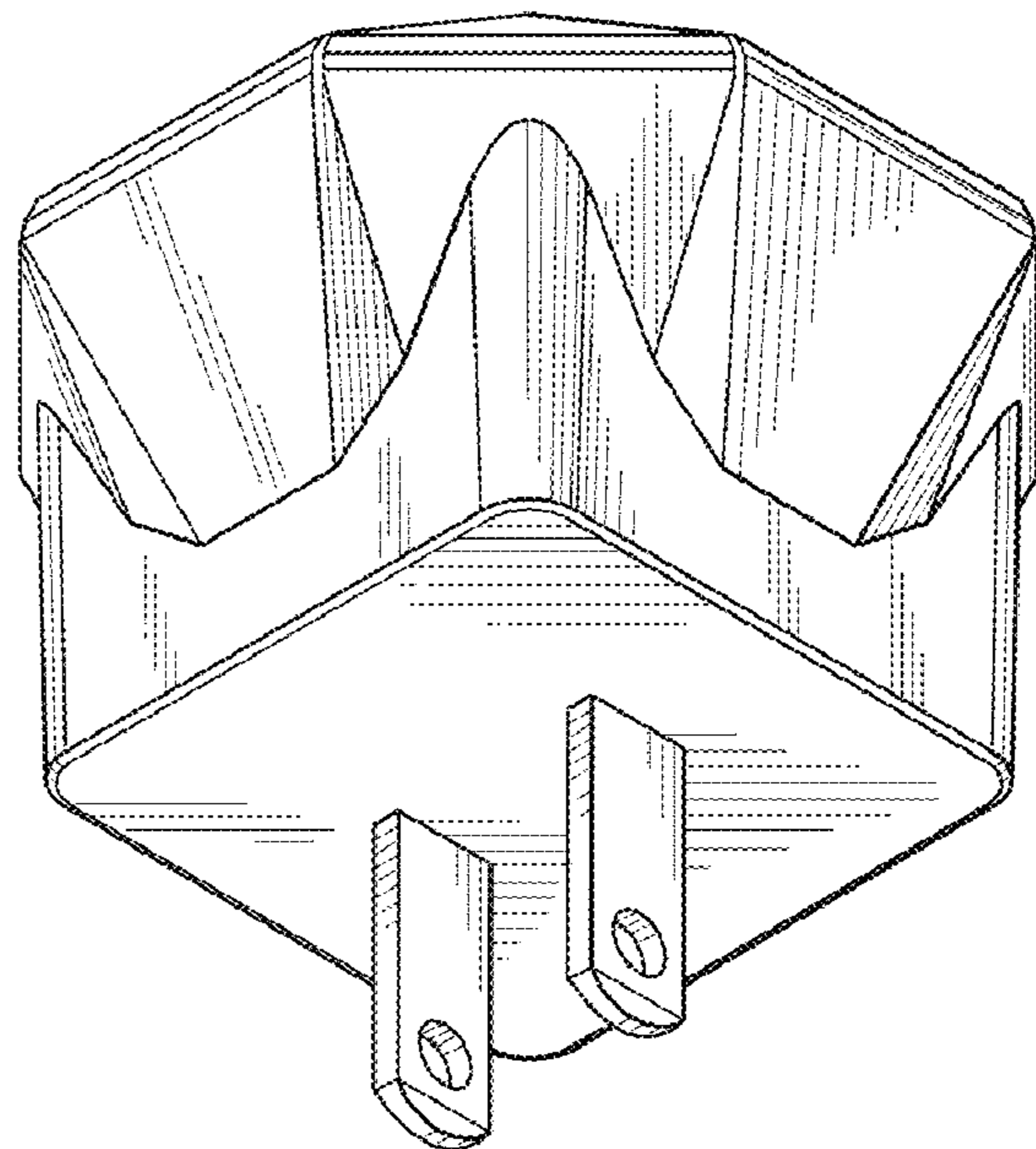
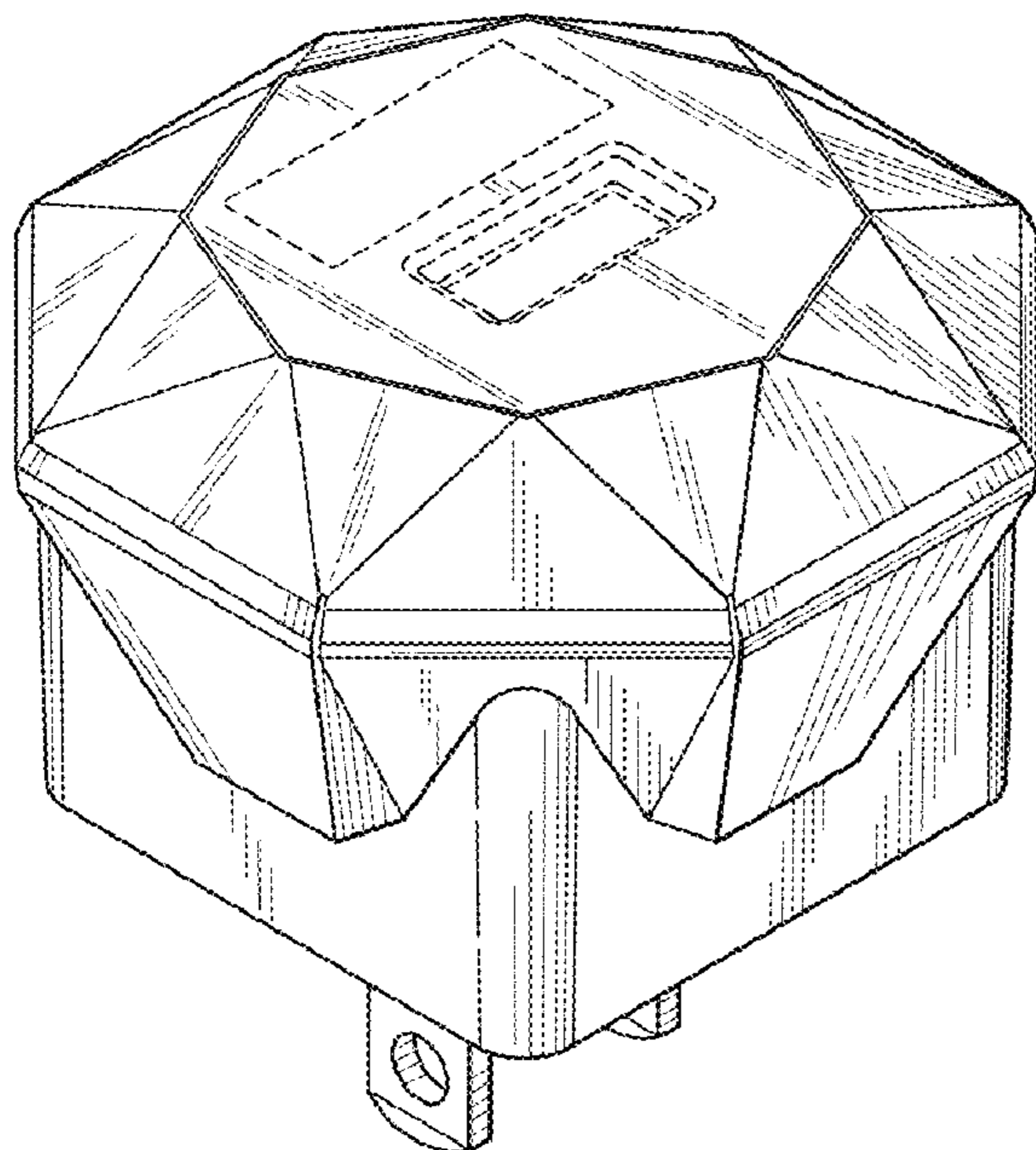
(57) **CLAIM**

The ornamental design for a portable charger, as shown and described.

**DESCRIPTION**

FIG. 1 is a left side top perspective view of our new design for a portable charger;  
FIG. 2 is a right side bottom perspective view of FIG. 1;  
FIG. 3 is a top view of FIG. 1;  
FIG. 4 is a bottom view of FIG. 1;  
FIG. 5 is a left side elevational view of FIG. 1, a right side elevational view being identical; and,  
FIG. 6 is a front elevational view of FIG. 5, a back elevational view being identical.  
The broken lines illustrate environmental structure and form no part of the claimed design.

**1 Claim, 2 Drawing Sheets**



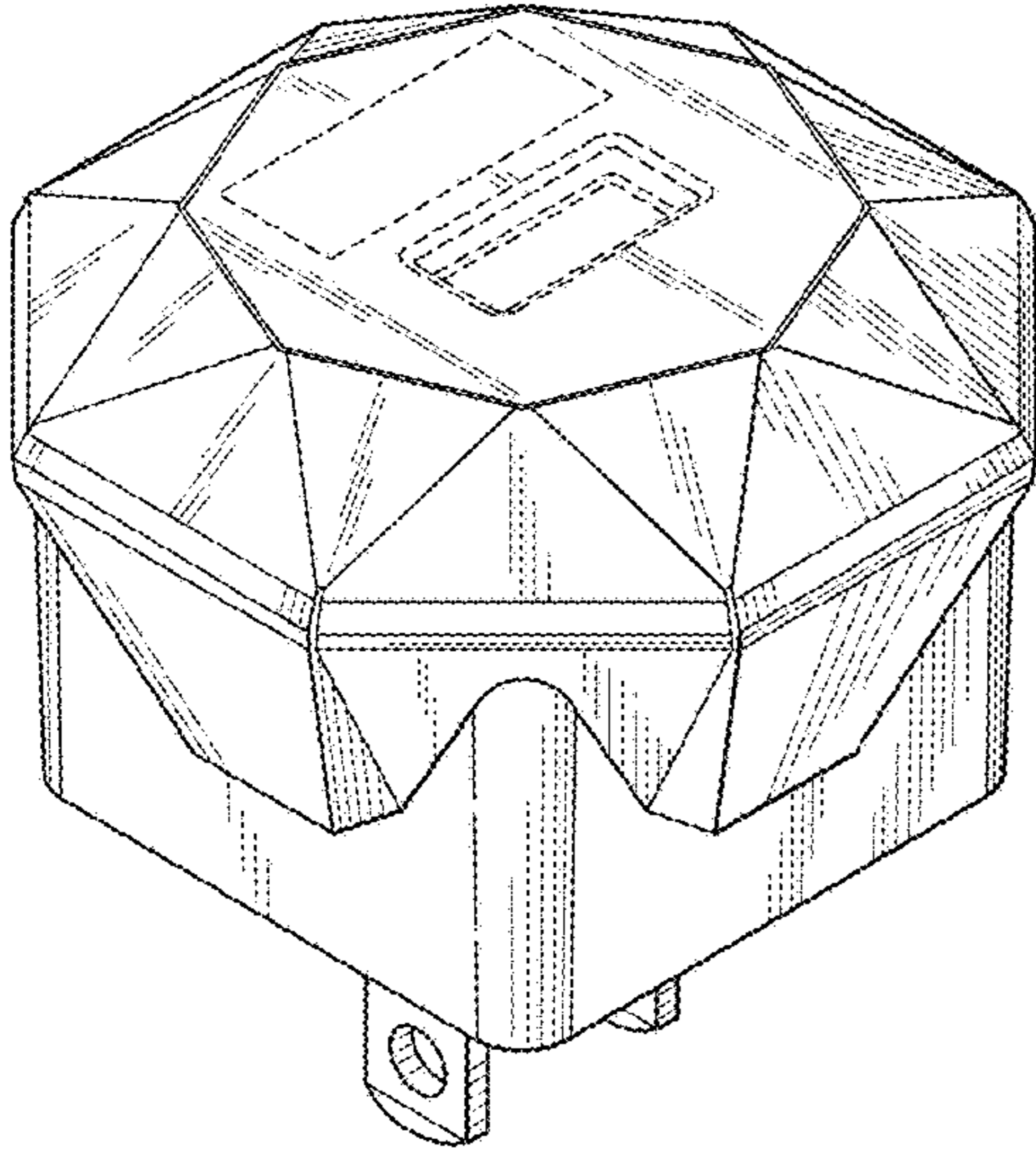


FIG. 1

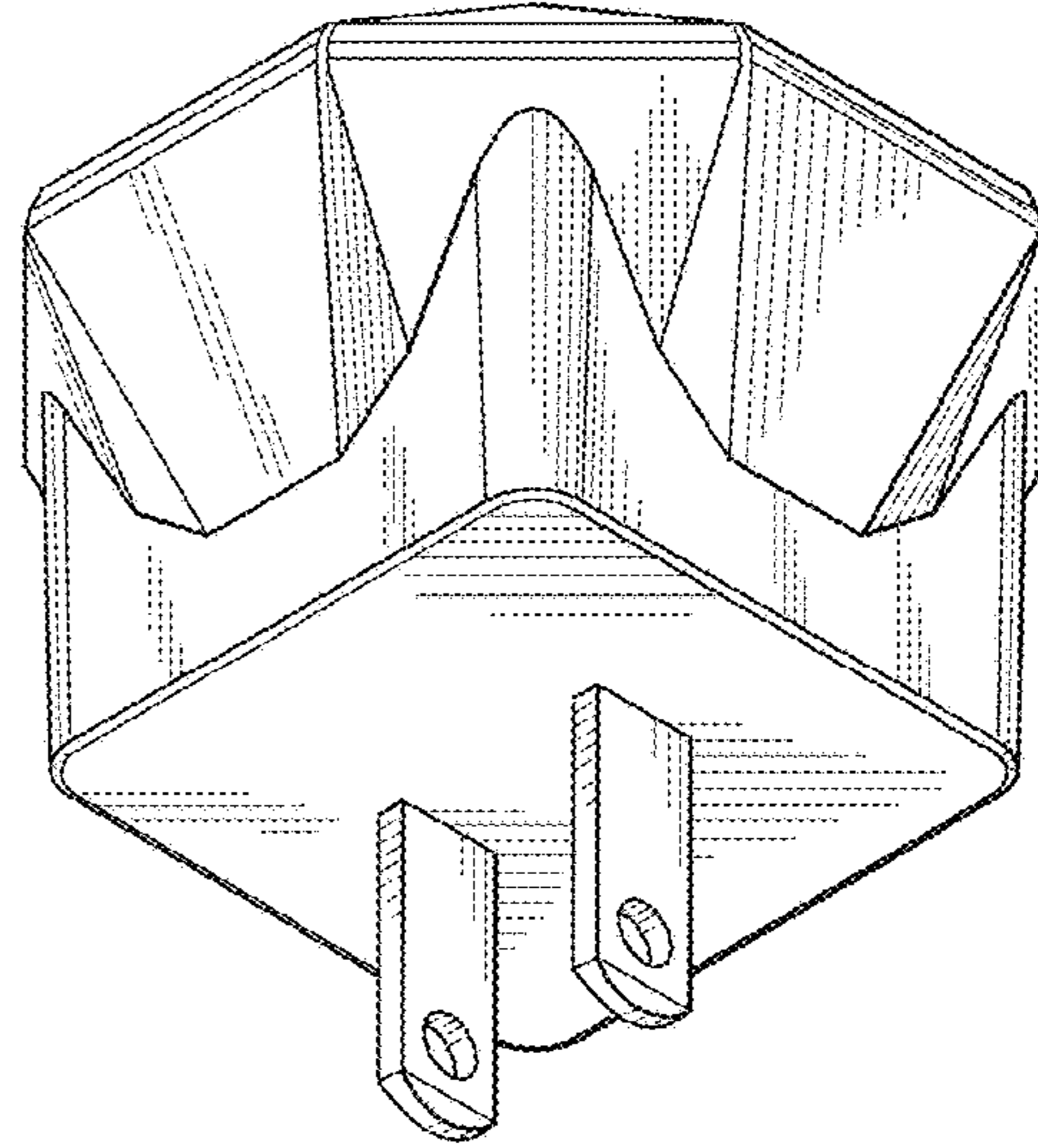


FIG. 2

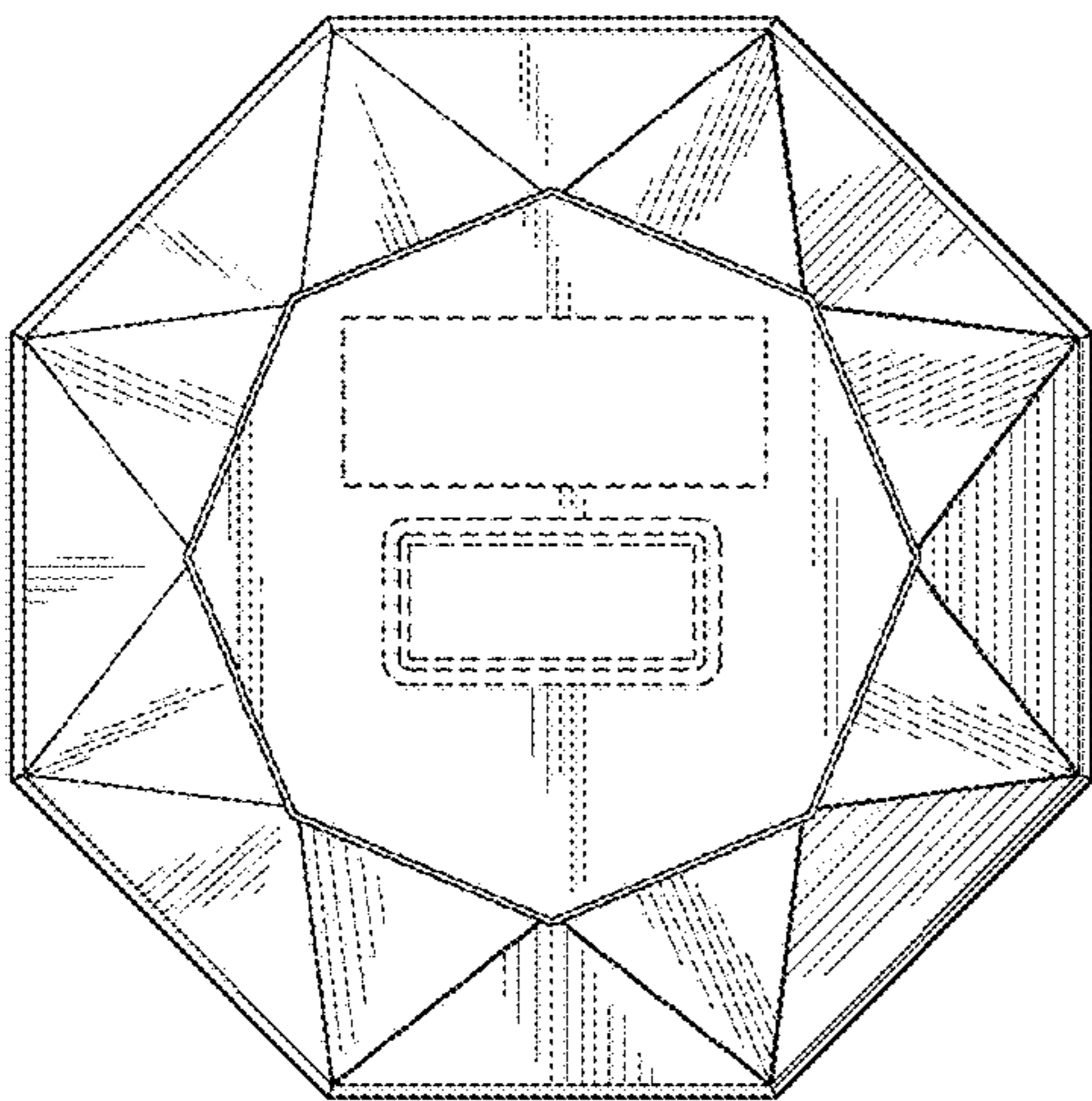


FIG. 3

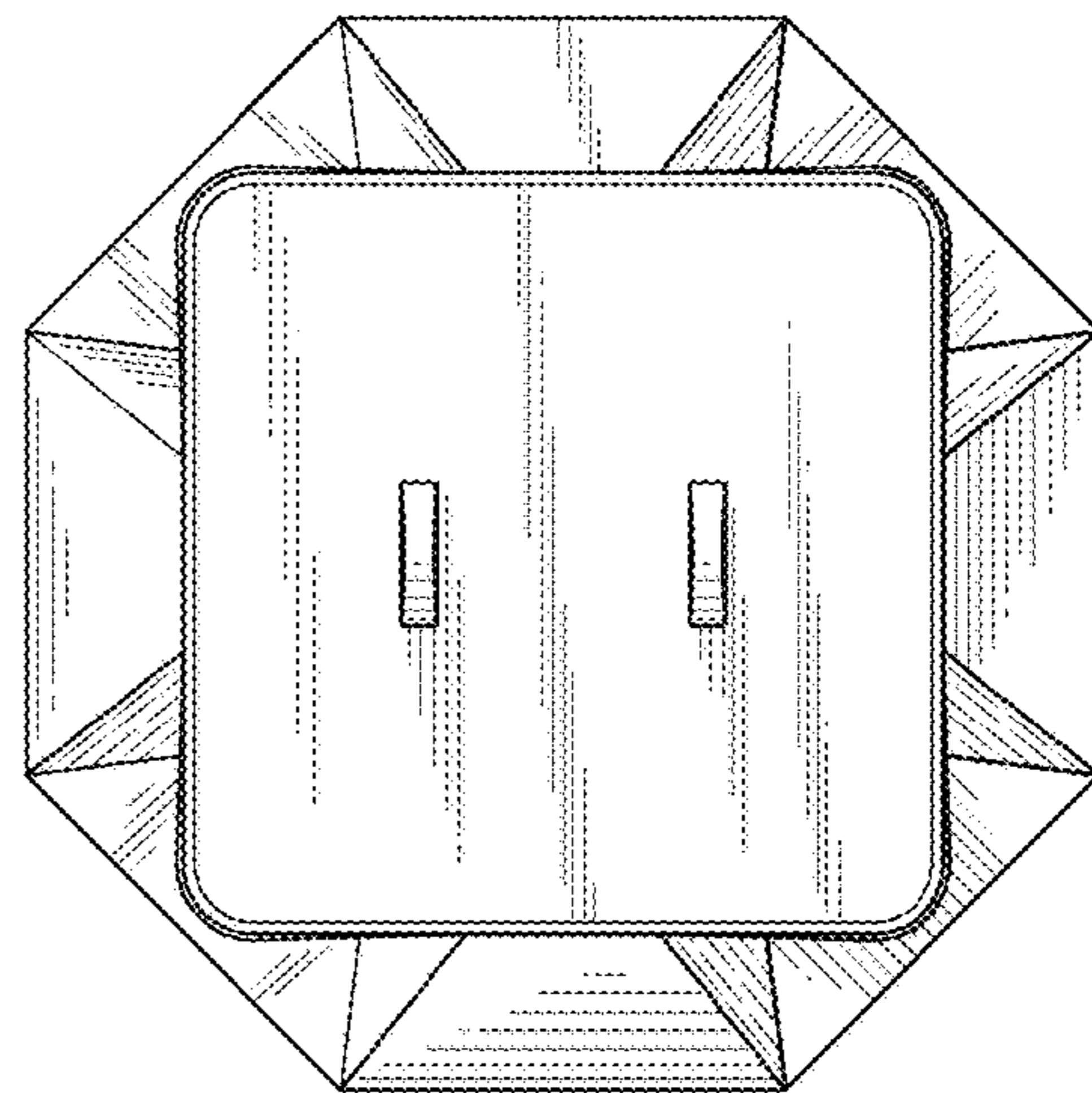


FIG. 4

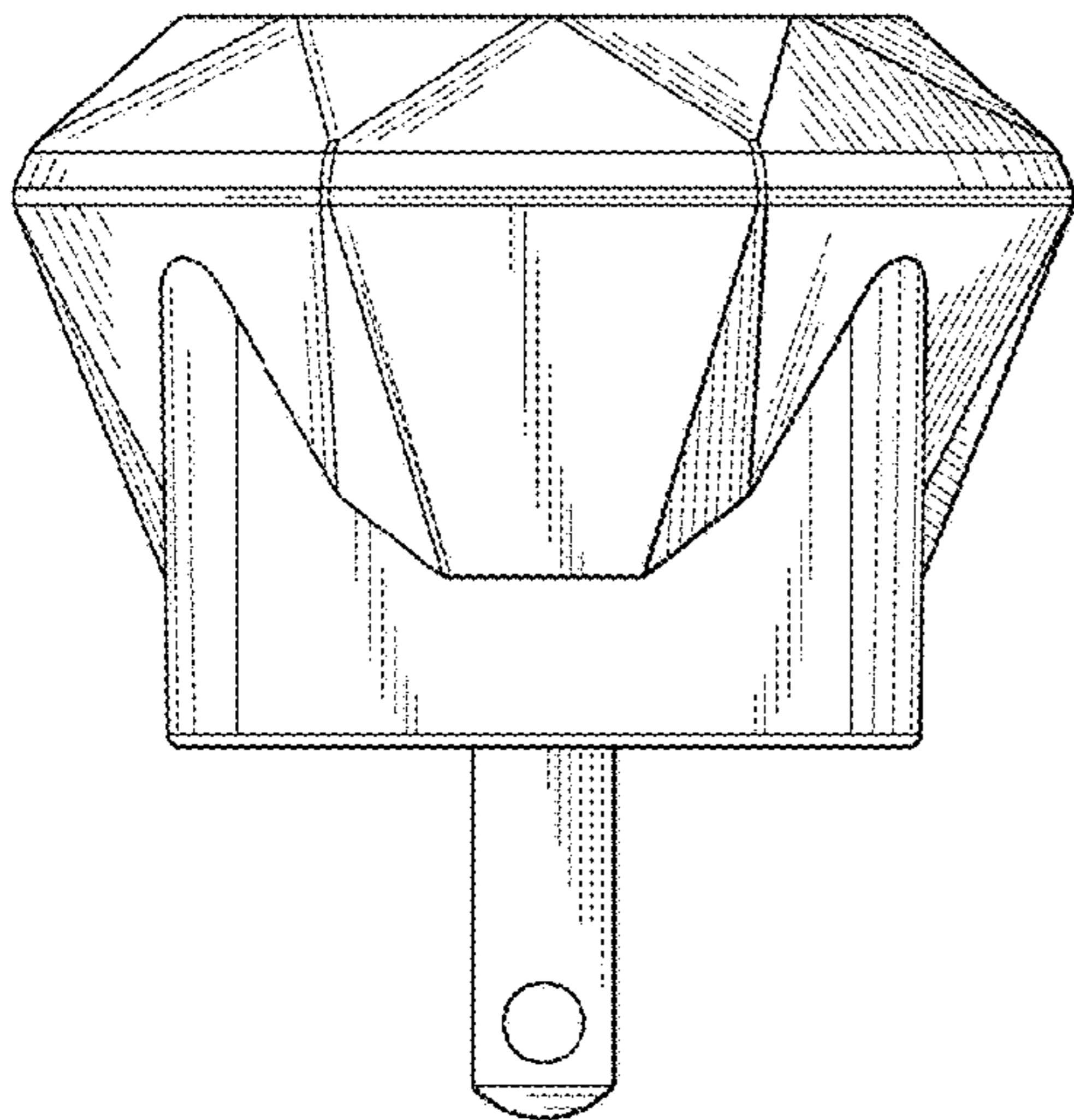


FIG.5

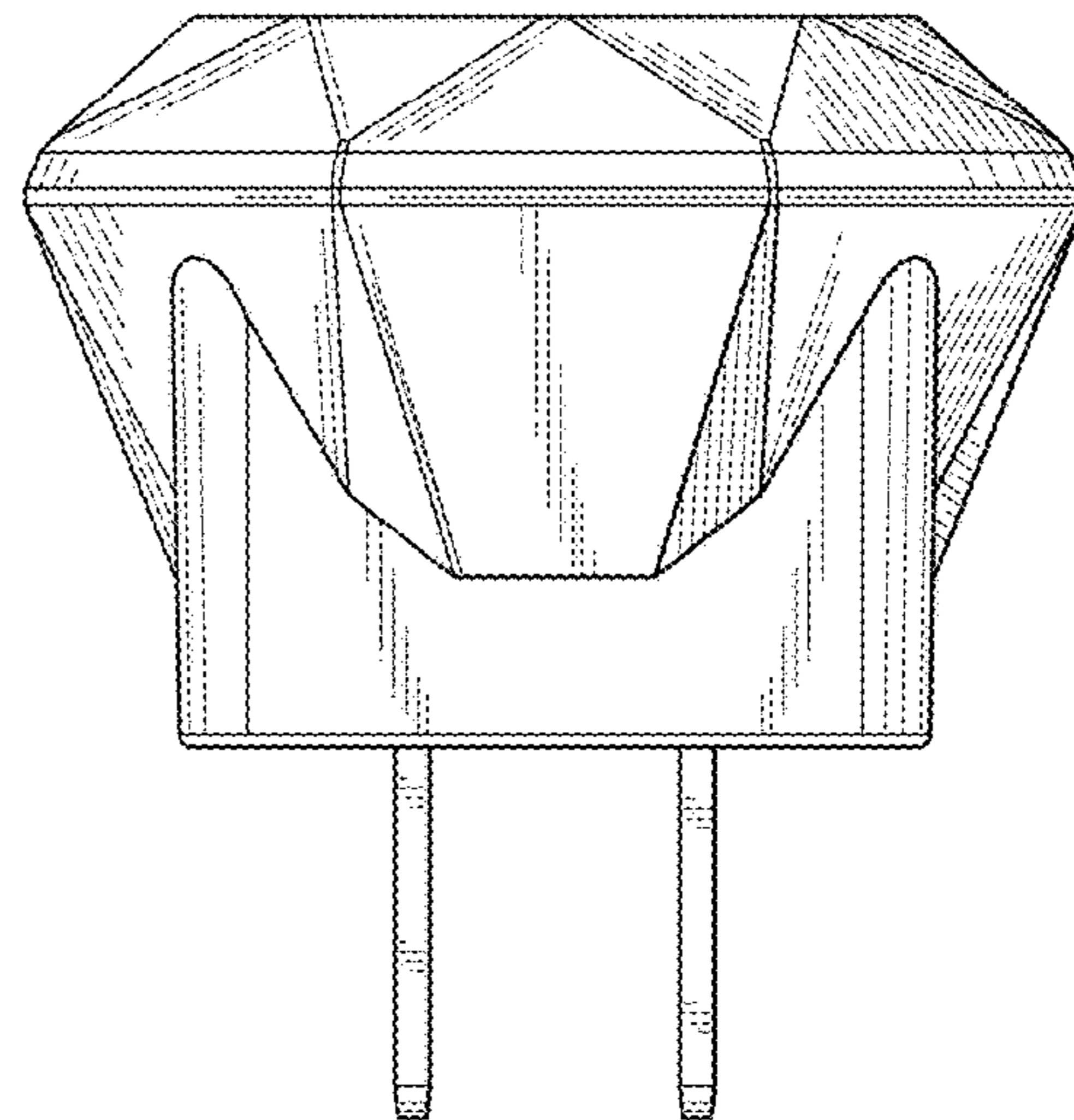


FIG.6