



US00D778822S

(12) **United States Design Patent** (10) **Patent No.:** **US D778,822 S**  
**Broadhurst, IV et al.** (45) **Date of Patent:** **\*\* Feb. 14, 2017**

(54) **PORTABLE CHARGER**  
(71) Applicant: **Battery-Biz, Inc.**, Camarillo, CA (US)  
(72) Inventors: **Douglas S. Broadhurst, IV**, Thousand Oaks, CA (US); **Ernesto J. Rodriguez**, Simi Valley, CA (US)  
(73) Assignee: **Battery-Biz, Inc.**, Camarillo, CA (US)

(\*\*) Term: **15 Years**

(21) Appl. No.: **29/550,621**

(22) Filed: **Jan. 5, 2016**

(51) **LOC (10) Cl.** ..... **13-02**

(52) **U.S. Cl.**  
USPC ..... **D13/107**; D13/144

(58) **Field of Classification Search**  
USPC ..... D13/103, 107-110, 118-119, 184, 199, D13/144; D14/251, 253, 432, 434, 356; 320/103, 107-115, 135, 138, 140  
CPC ..... Y02E 60/12; H02J 7/025; H02J 7/0042; H02J 7/0044; H02J 7/0045; H02J 7/0003; H02J 7/02; H01F 38/14; H01R 13/6675; H01R 2201/26; H01M 2/1022; H01M 2/1055; H01M 10/44; H01M 10/46  
See application file for complete search history.

(56) **References Cited**

**U.S. PATENT DOCUMENTS**

D545,274 S \* 6/2007 Dong ..... D13/110  
D614,136 S \* 4/2010 Chyan ..... D13/144  
D614,137 S \* 4/2010 Son ..... D13/108  
D631,837 S \* 2/2011 Smith ..... D13/108  
D643,366 S \* 8/2011 Lu ..... D13/108  
D654,437 S \* 2/2012 Fitch ..... D13/144  
D672,313 S \* 12/2012 Smith ..... D13/144  
D691,954 S \* 10/2013 Lee ..... D13/144  
D692,832 S \* 11/2013 Esses ..... D13/110  
D697,482 S \* 1/2014 Cheng ..... D13/144  
D711,830 S \* 8/2014 Liu ..... D13/144

D719,916 S \* 12/2014 Cheng ..... D13/144  
D721,038 S \* 1/2015 Chiu ..... D13/144  
D723,466 S \* 3/2015 Wang ..... D13/110  
D734,720 S \* 7/2015 Alesi ..... D13/110  
D743,885 S \* 11/2015 Nazar ..... D13/108  
D747,681 S \* 1/2016 Lee ..... D13/108  
D750,565 S \* 3/2016 Venida ..... D13/144  
9,438,051 B2 \* 9/2016 Firman, II ..... H01R 13/6675  
2013/0171879 A1 \* 7/2013 Yang ..... H01H 85/542  
439/620.28

**OTHER PUBLICATIONS**

Web.Archive.Org: MyBuqu Car Chargers. Retrieved from the internet at <<https://web.archive.org/web/20160503235830/http://www.mybuqu.com/Store/Category-Viewer/car-chargers>>. Sep. 22, 2016. 2 pages.\*

\* cited by examiner

*Primary Examiner* — Rosemary K Tarcza  
*Assistant Examiner* — Christy Nemeth  
(74) *Attorney, Agent, or Firm* — Oppedahl Patent Law Firm LLC

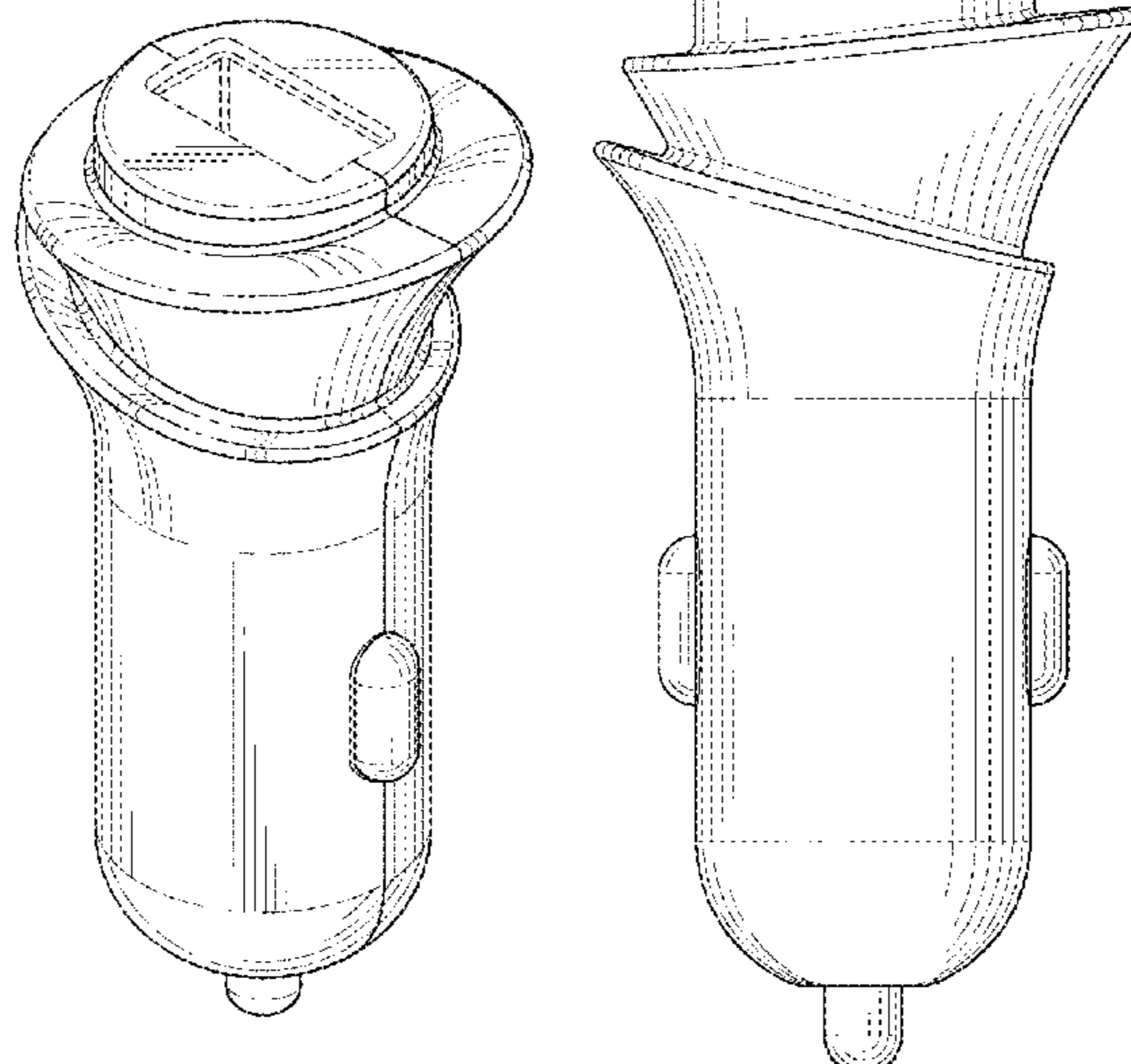
(57) **CLAIM**

The ornamental design for a portable charger, as shown and described.

**DESCRIPTION**

FIG. 1 is a left side top perspective view of our new design for a portable charger;  
FIG. 2 is a right side bottom perspective view of FIG. 1;  
FIG. 3 is a top view of FIG. 1;  
FIG. 4 is a bottom view of FIG. 1;  
FIG. 5 is a front elevational view of FIG. 1;  
FIG. 6 is a back elevational view of FIG. 1;  
FIG. 7 is a right side view of FIG. 5; and,  
FIG. 8 is a left side view of FIG. 5.  
The broken lines illustrate environmental structure and form no part of the claimed design.

**1 Claim, 2 Drawing Sheets**



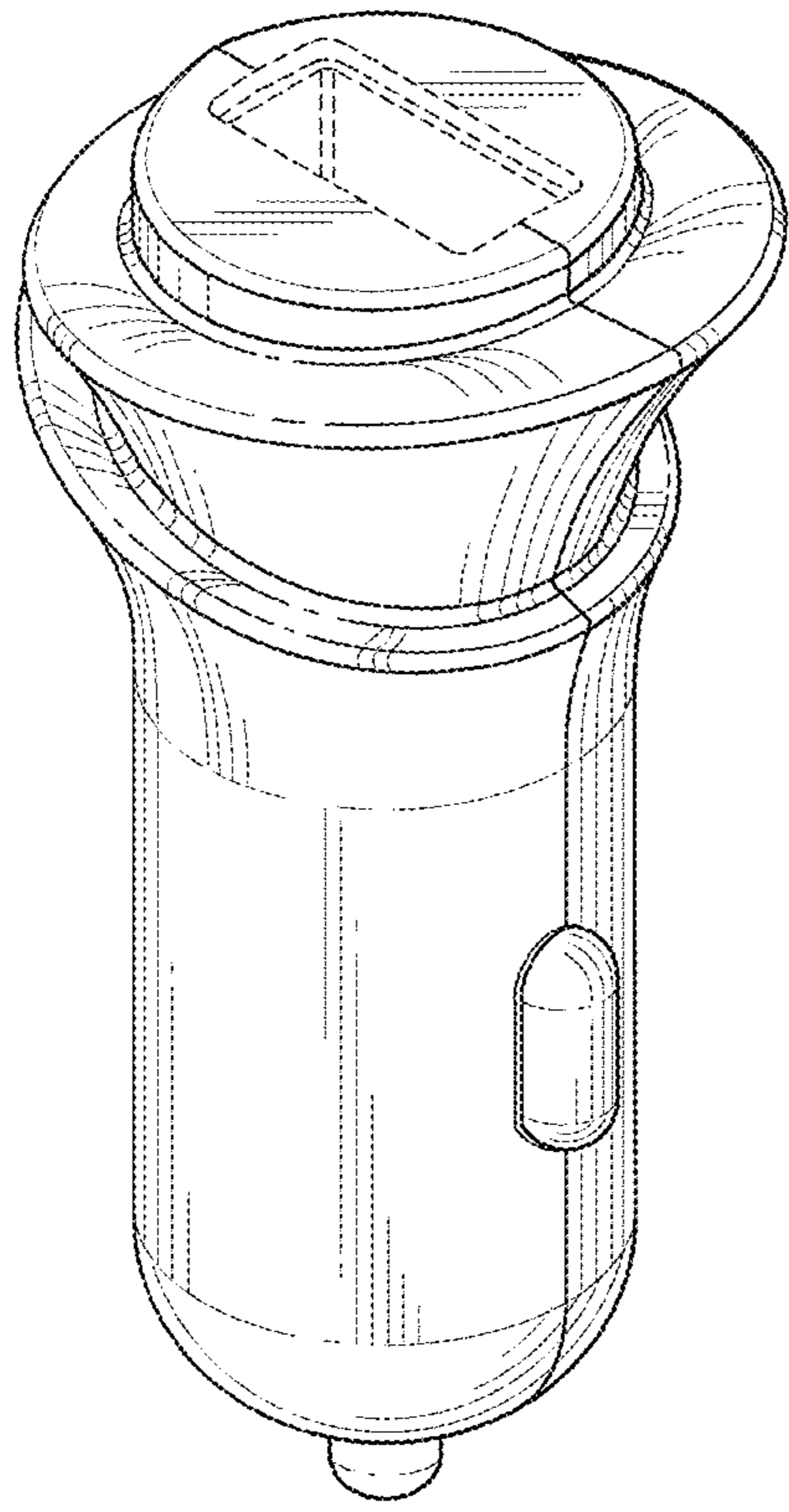


FIG.1

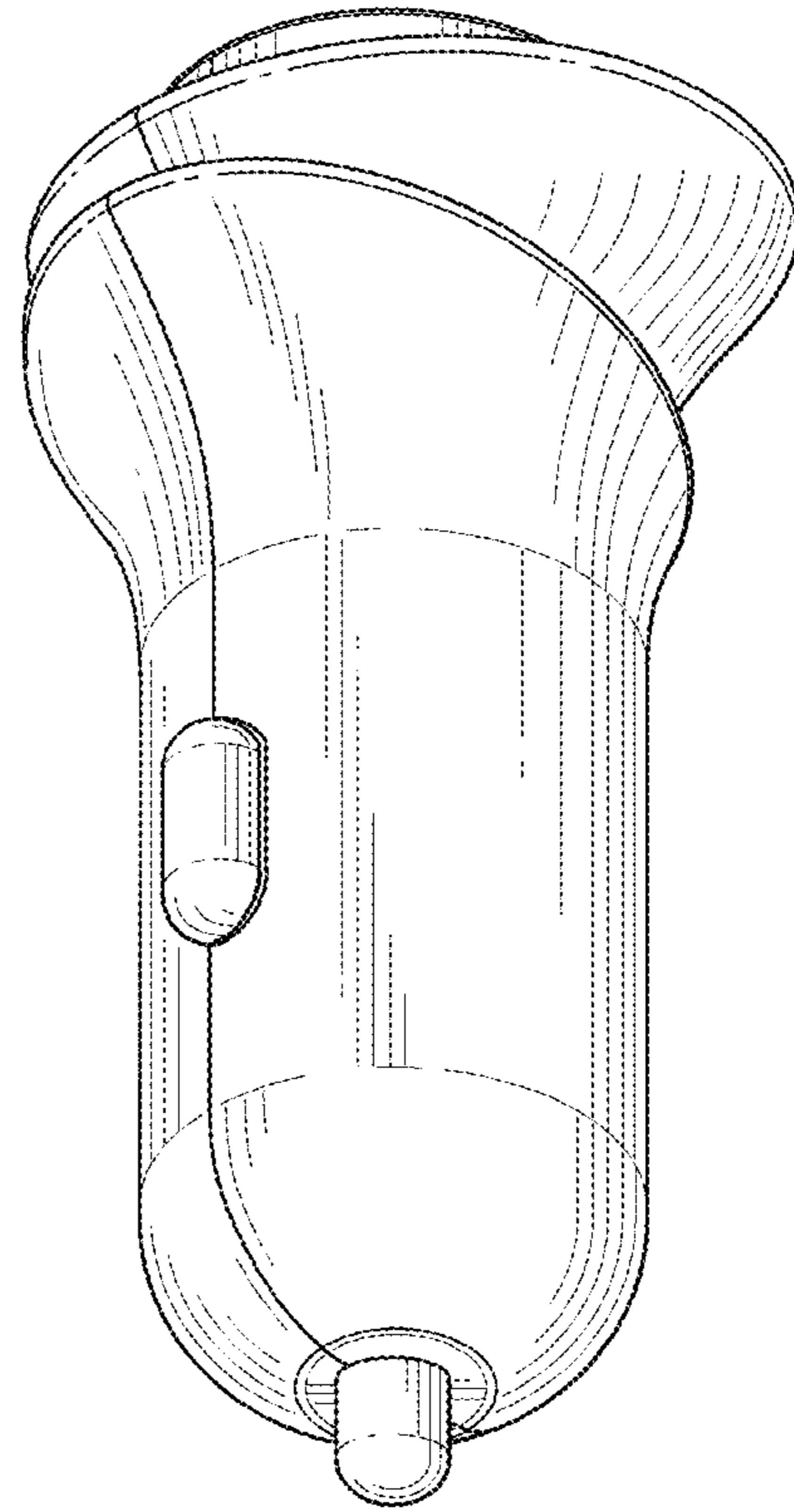


FIG.2

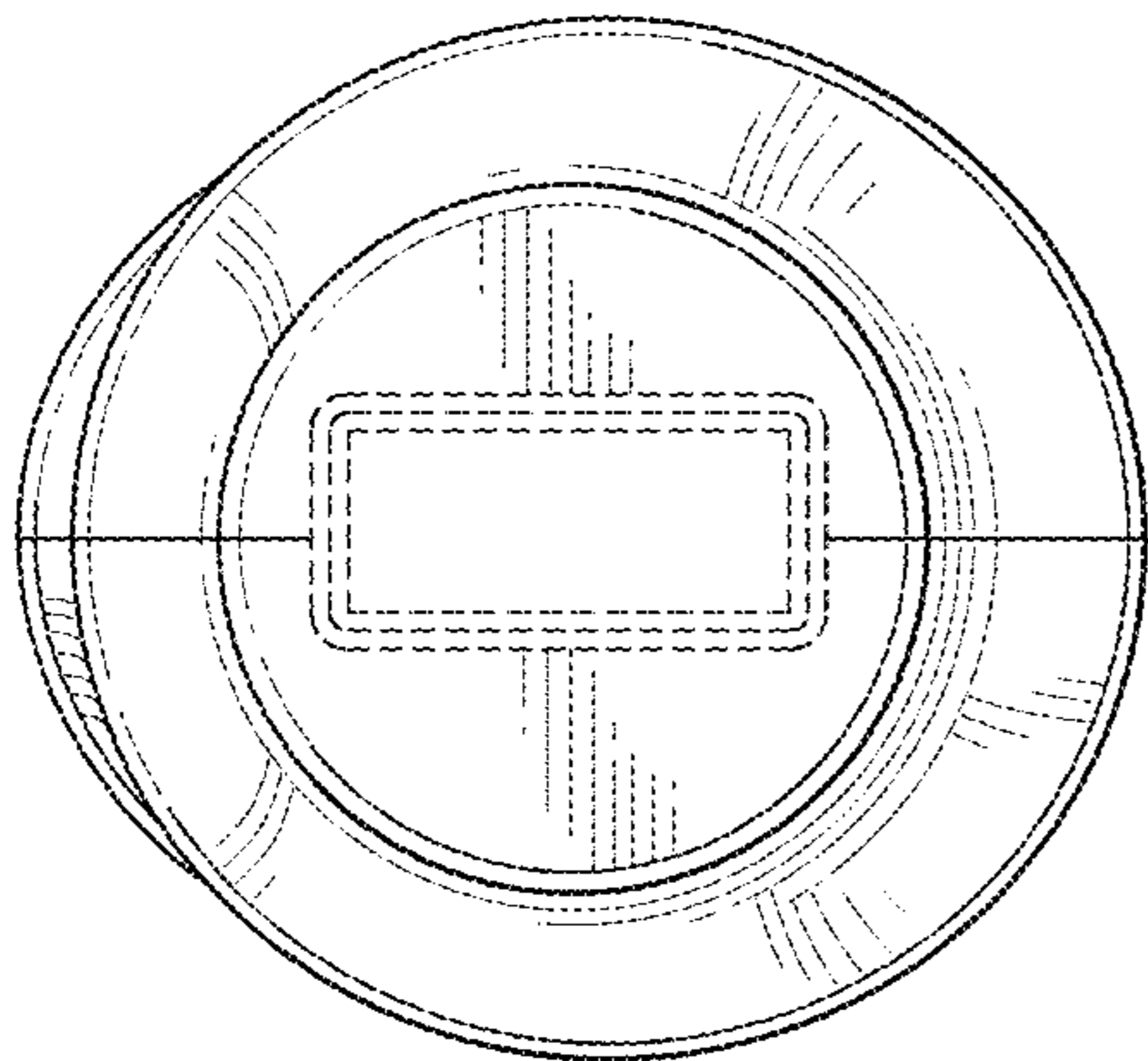


FIG.3

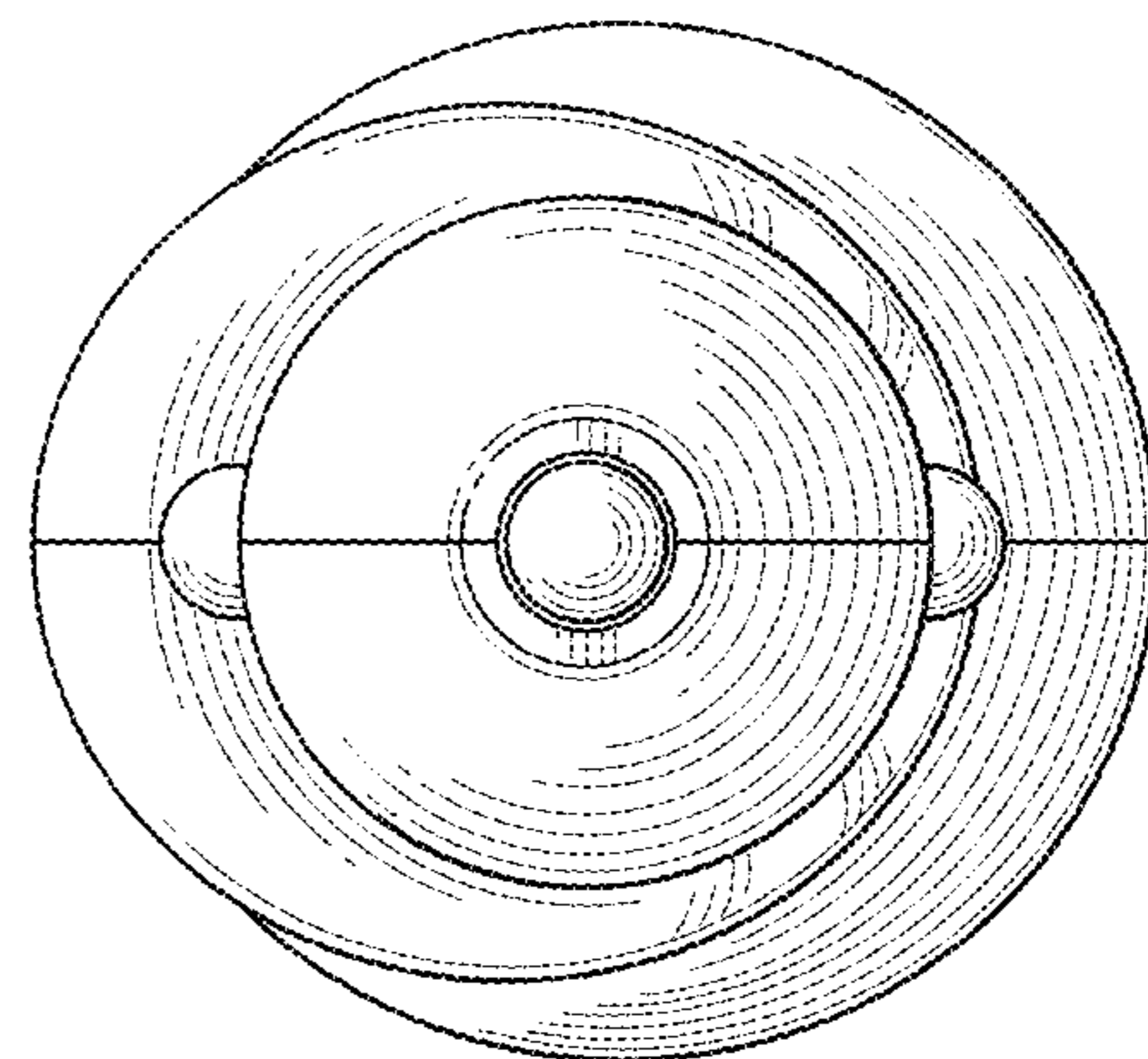


FIG.4

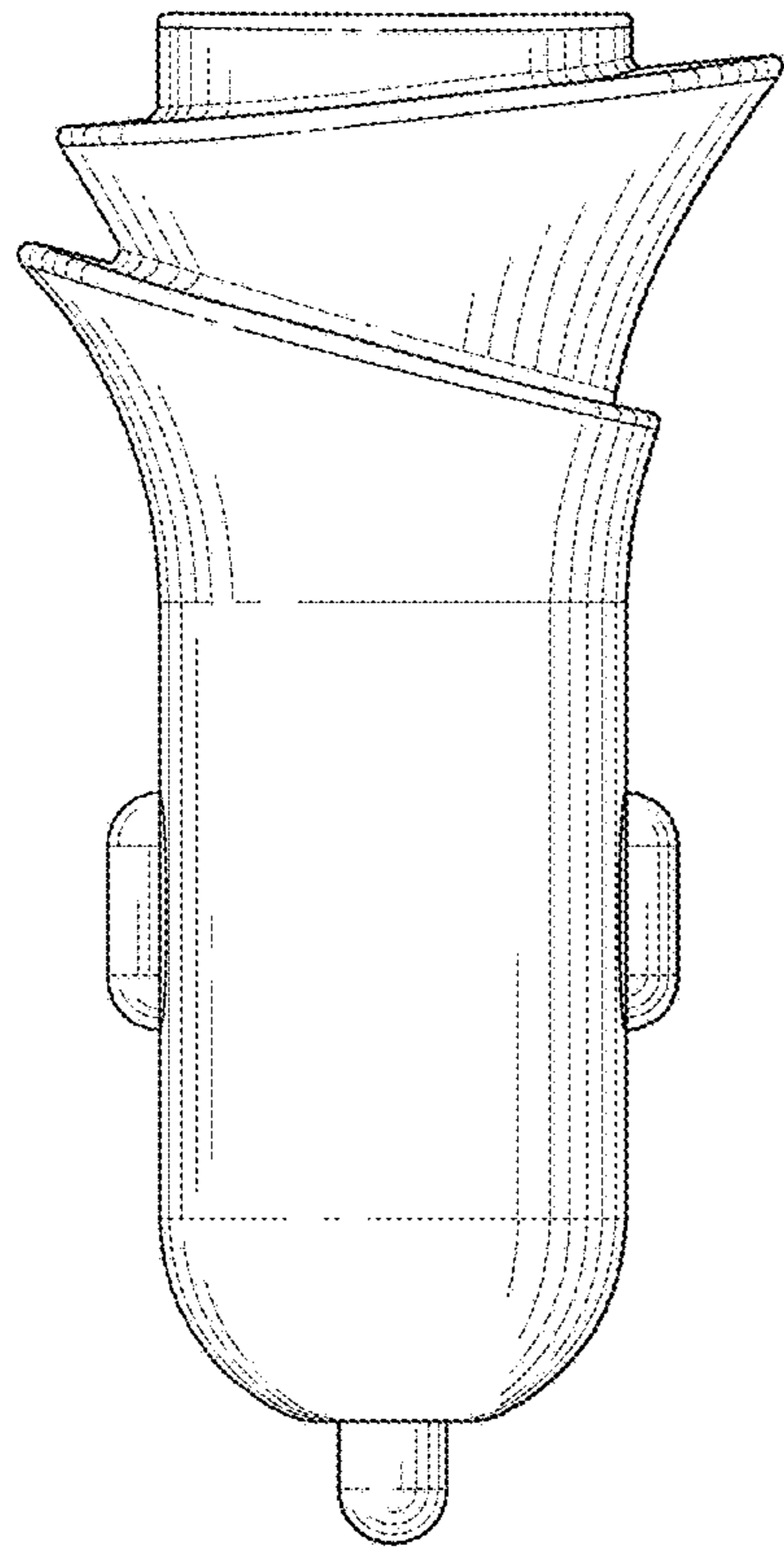


FIG. 5

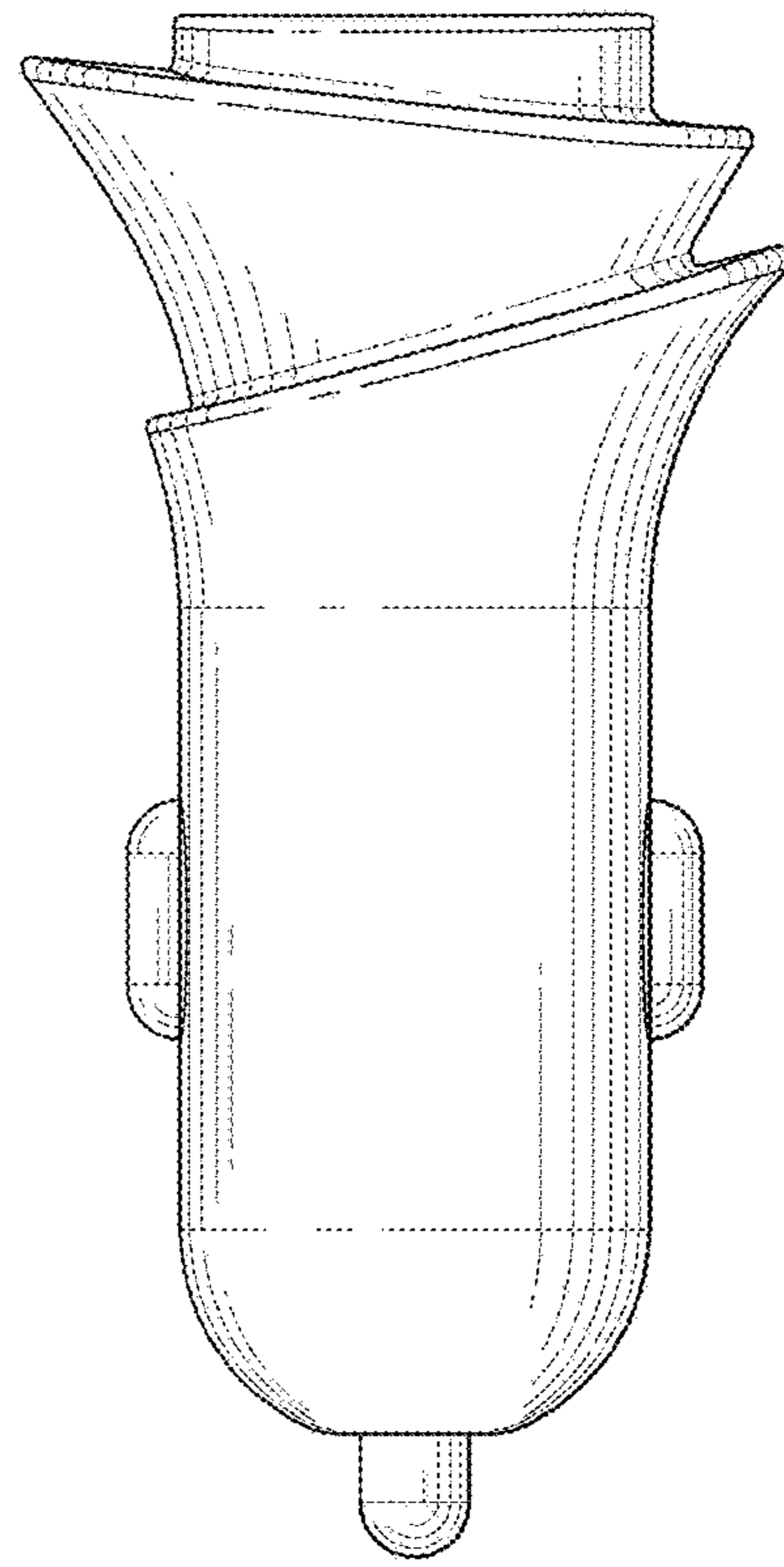


FIG. 6

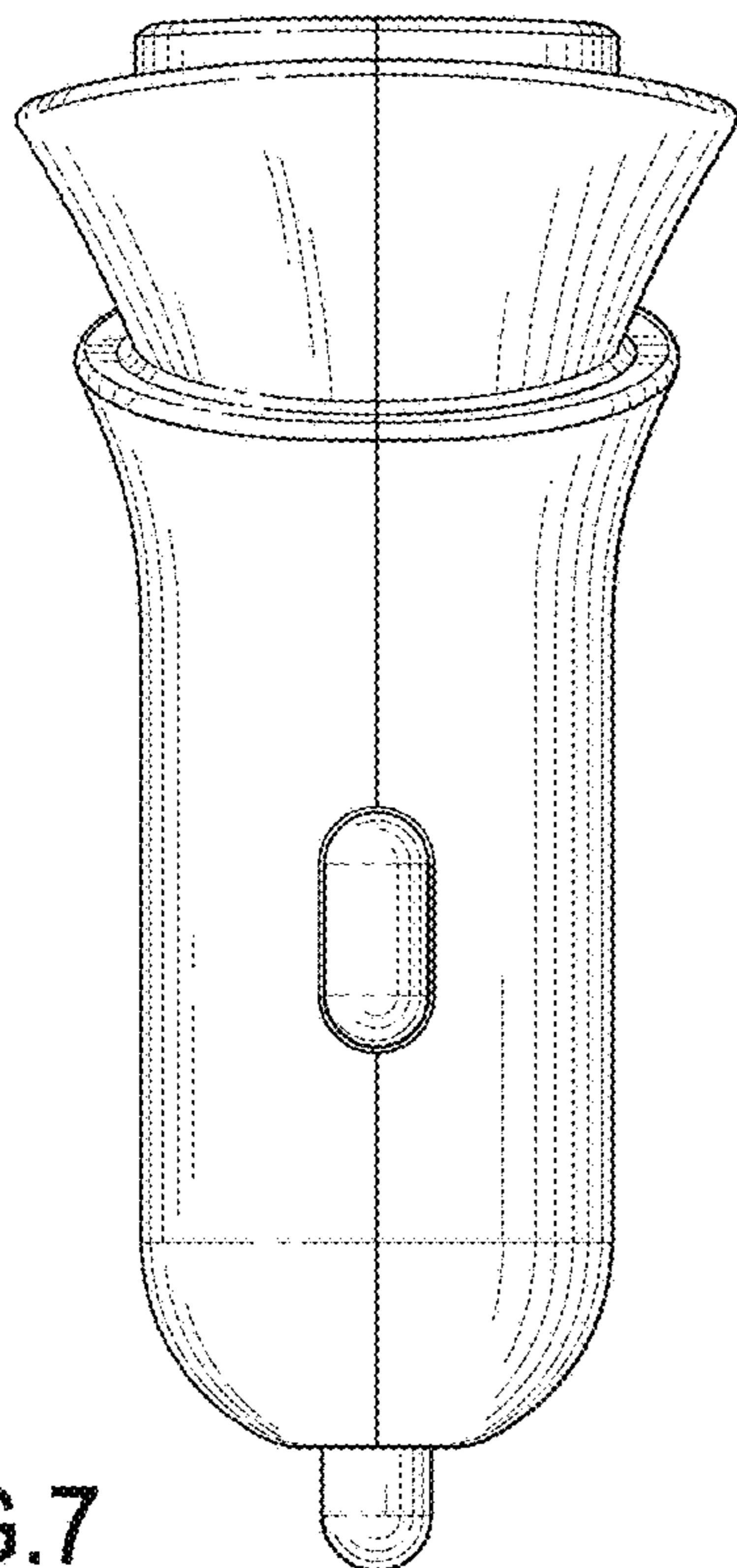


FIG. 7

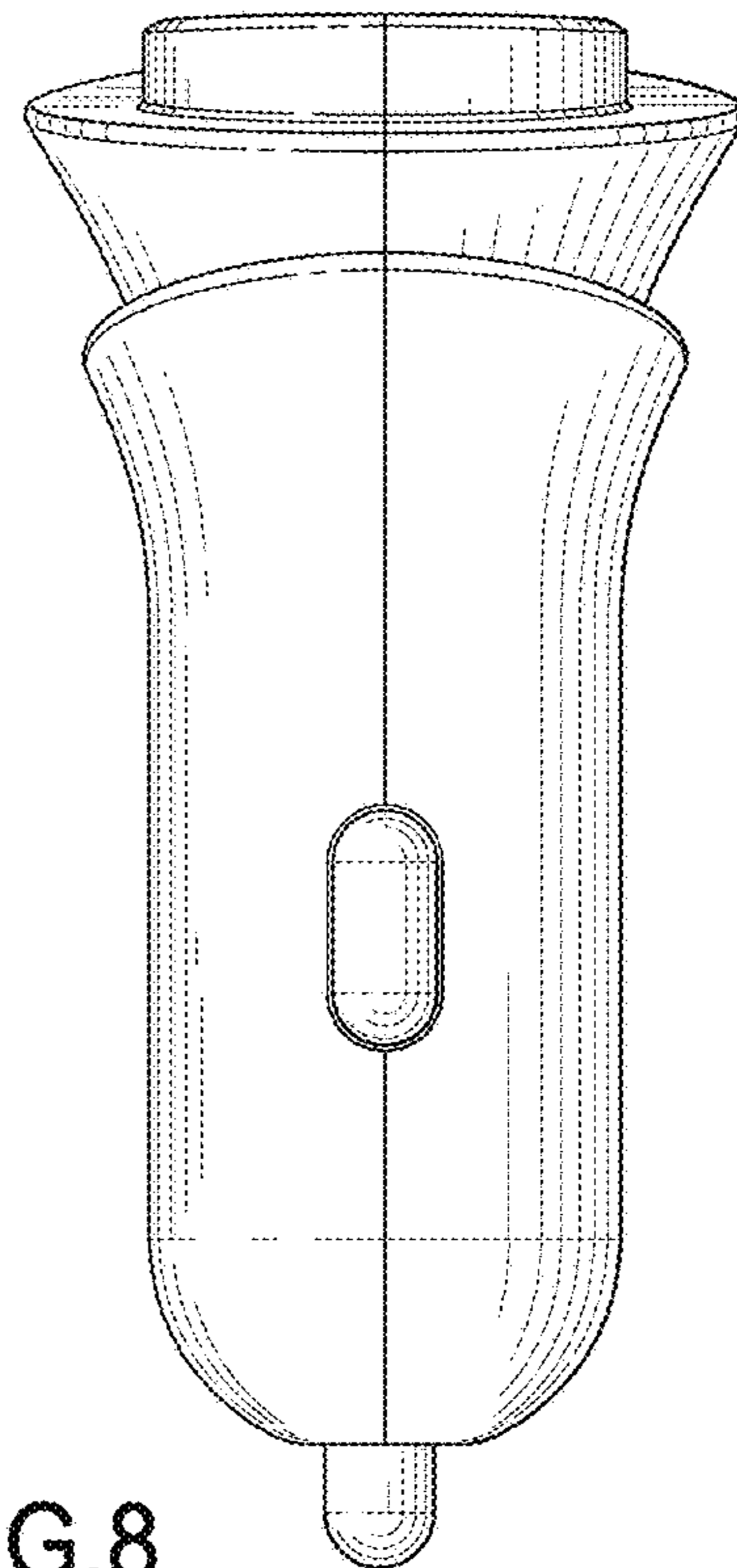


FIG. 8