



US00D778821S

(12) **United States Design Patent**
Broadhurst, IV et al.

(10) **Patent No.:** **US D778,821 S**

(45) **Date of Patent:** **** Feb. 14, 2017**

(54) **PORTABLE CHARGER**

(71) Applicant: **Battery-Biz, Inc.**, Camarillo, CA (US)

(72) Inventors: **Douglas S. Broadhurst, IV**, Thousand Oaks, CA (US); **Ernesto J. Rodriguez**, Simi Valley, CA (US)

(73) Assignee: **Battery-Biz, Inc.**, Camarillo, CA (US)

(**) Term: **15 Years**

(21) Appl. No.: **29/550,619**

(22) Filed: **Jan. 5, 2016**

(51) **LOC (10) Cl.** **13-02**

(52) **U.S. Cl.**
USPC **D13/107**; D13/144

(58) **Field of Classification Search**
USPC D13/103, 107-110, 118-119, 184, 199, D13/144; D14/251, 253, 432, 434, 356; 320/103, 107-115, 135, 138, 140
CPC Y02E 60/12; H02J 7/025; H02J 7/0042; H02J 7/0044; H02J 7/0045; H02J 7/0003; H02J 7/02; H01F 38/14; H01R 13/6675; H01R 2201/26; H01M 2/1022; H01M 2/1055; H01M 10/44; H01M 10/46
See application file for complete search history.

(56) **References Cited**

U.S. PATENT DOCUMENTS

D398,287 S *	9/1998	Luminosu	D13/107
D527,069 S *	8/2006	Hiscox	D22/122
D546,287 S *	7/2007	Tanishita	D13/110
D554,059 S *	10/2007	Hsu	D13/110
D624,971 S *	10/2010	Cohen	D21/452

D631,836 S *	2/2011	Kao	D13/108
D743,885 S *	11/2015	Nazar	D13/108
2013/0171879 A1 *	7/2013	Yang	H01H 85/542 439/620.28

OTHER PUBLICATIONS

Web.Archive.Org: MyBuqu Car Chargers. Retrieved from the internet at <<https://web.archive.org/web/20160503235830/http://www.mybuqu.com/Store/Category-Viewer/car-chargers>>. Sep. 22, 2016. 2 pages.*

* cited by examiner

Primary Examiner — Rosemary K Tarcza

Assistant Examiner — Christy Nemeth

(74) *Attorney, Agent, or Firm* — Oppedahl Patent Law Firm LLC

(57) **CLAIM**

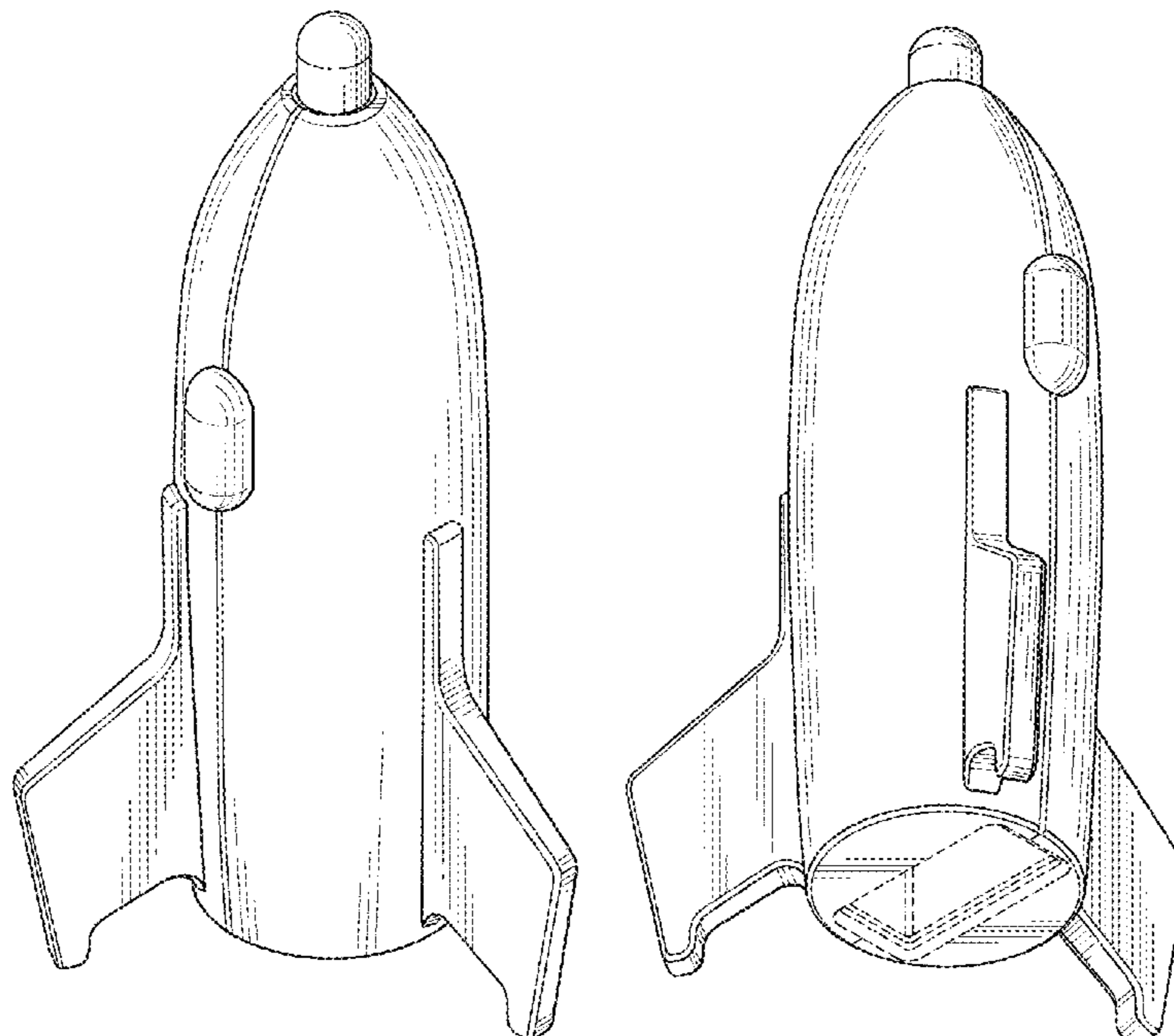
The ornamental design for a portable charger, as shown and described.

DESCRIPTION

FIG. 1 is a left side perspective view of our new design for a portable charger;
FIG. 2 is a right side bottom perspective view of FIG. 1;
FIG. 3 is a top view of FIG. 1;
FIG. 4 is a bottom view of FIG. 1;
FIG. 5 is a front elevational view of FIG. 1;
FIG. 6 is a back elevational view of FIG. 1;
FIG. 7 is a left side view of FIG. 5; and,
FIG. 8 is a right side view of FIG. 5.

The broken lines illustrate environmental structure and form no part of the claimed design.

1 Claim, 2 Drawing Sheets



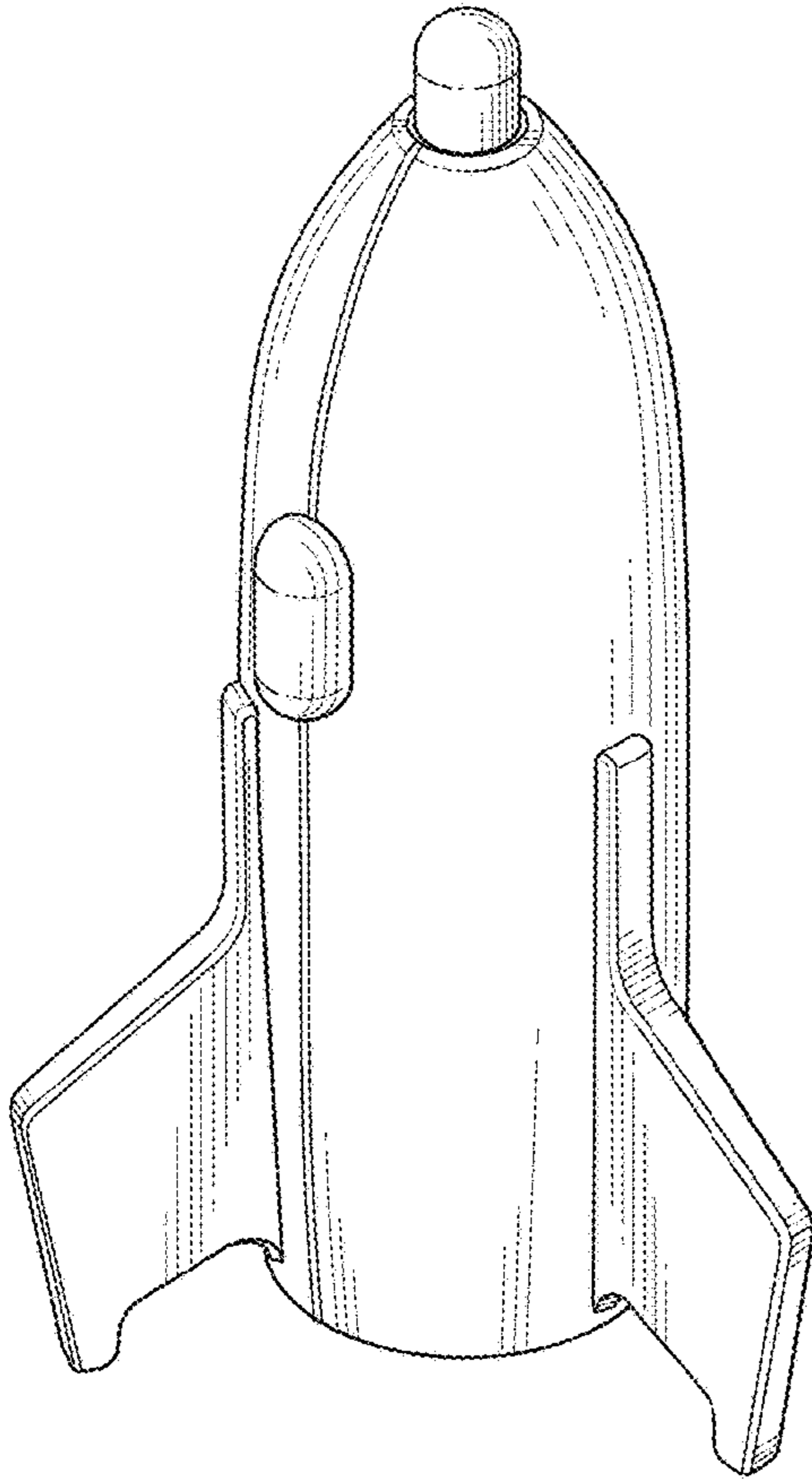


FIG. 1

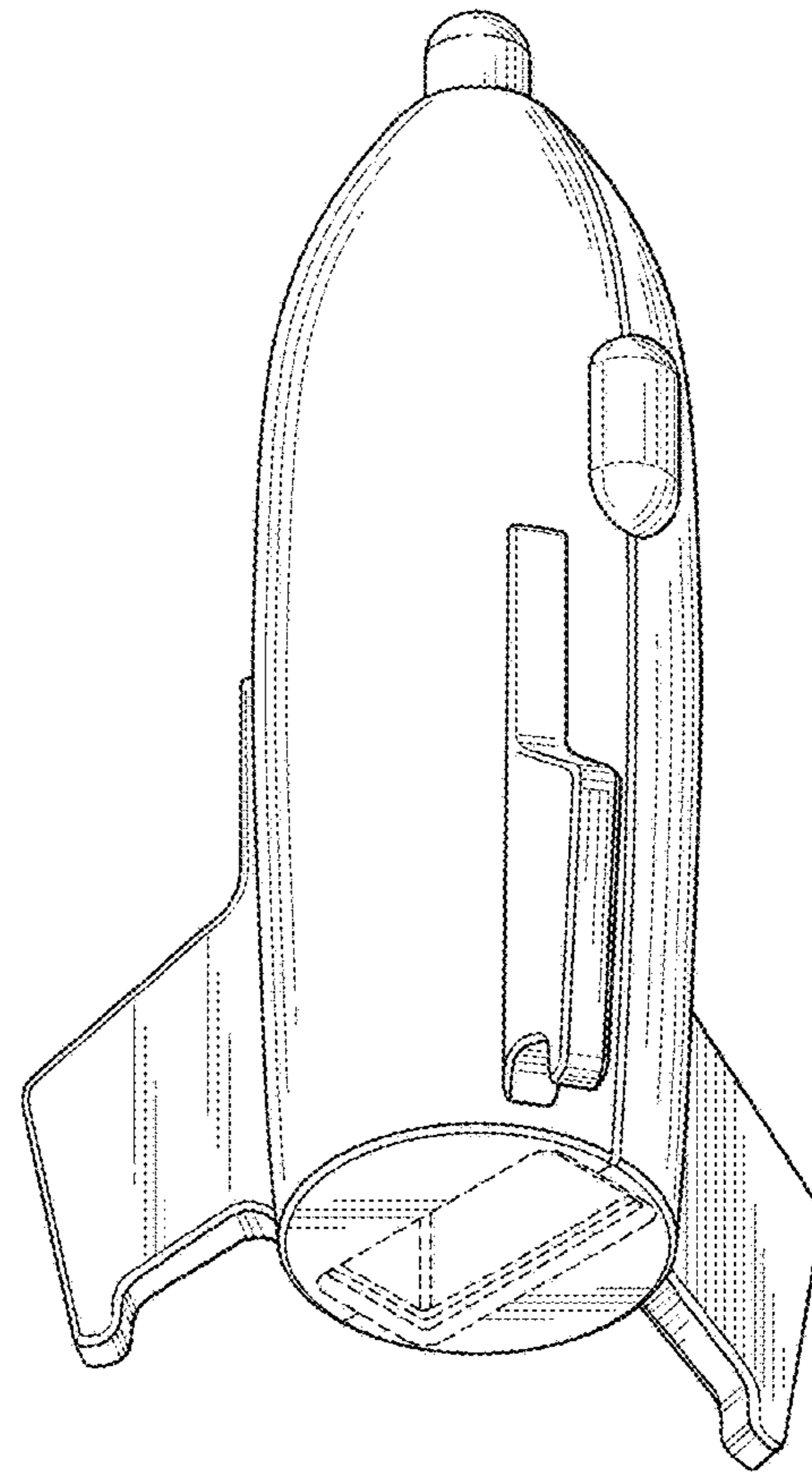


FIG. 2

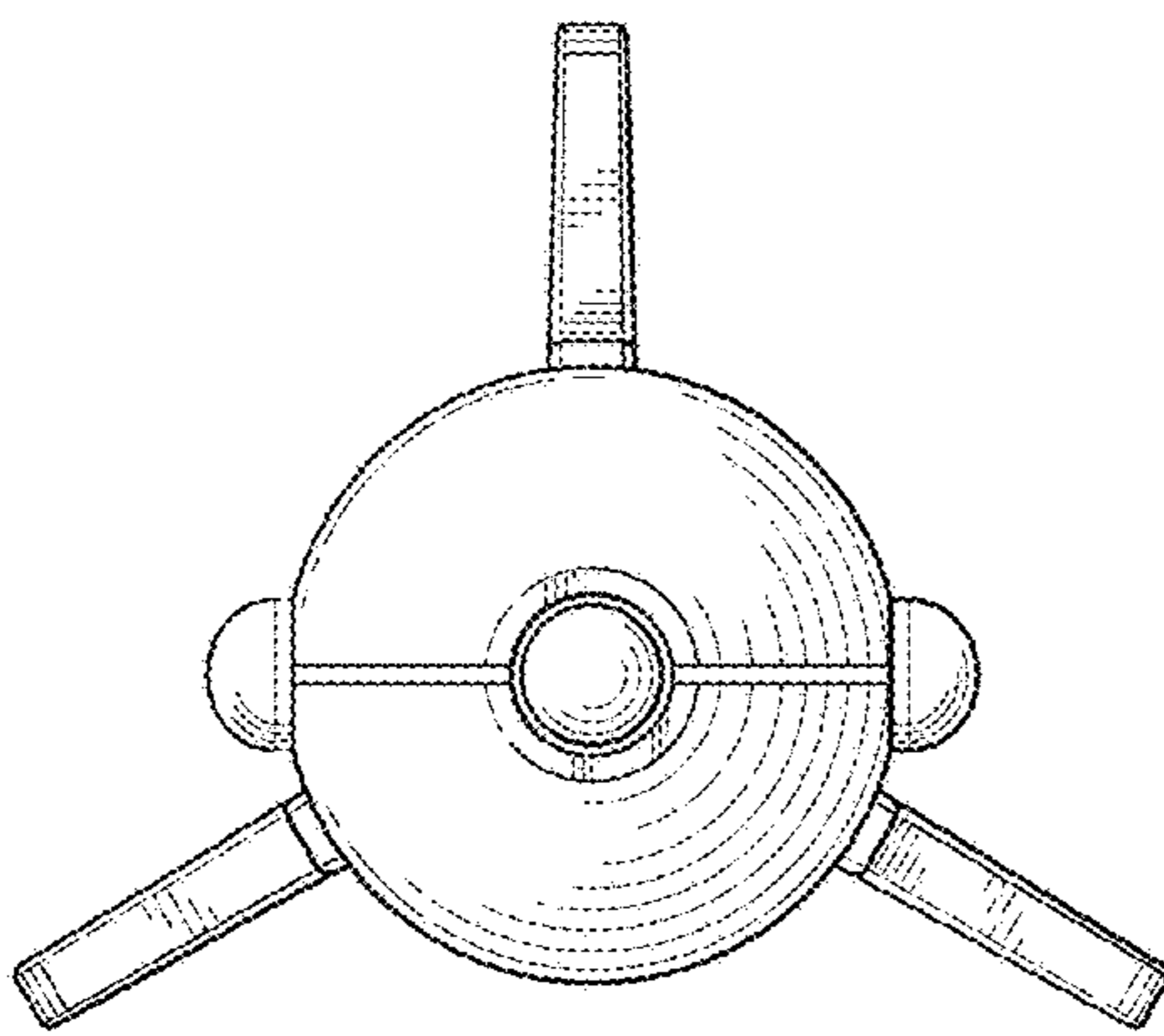


FIG. 3

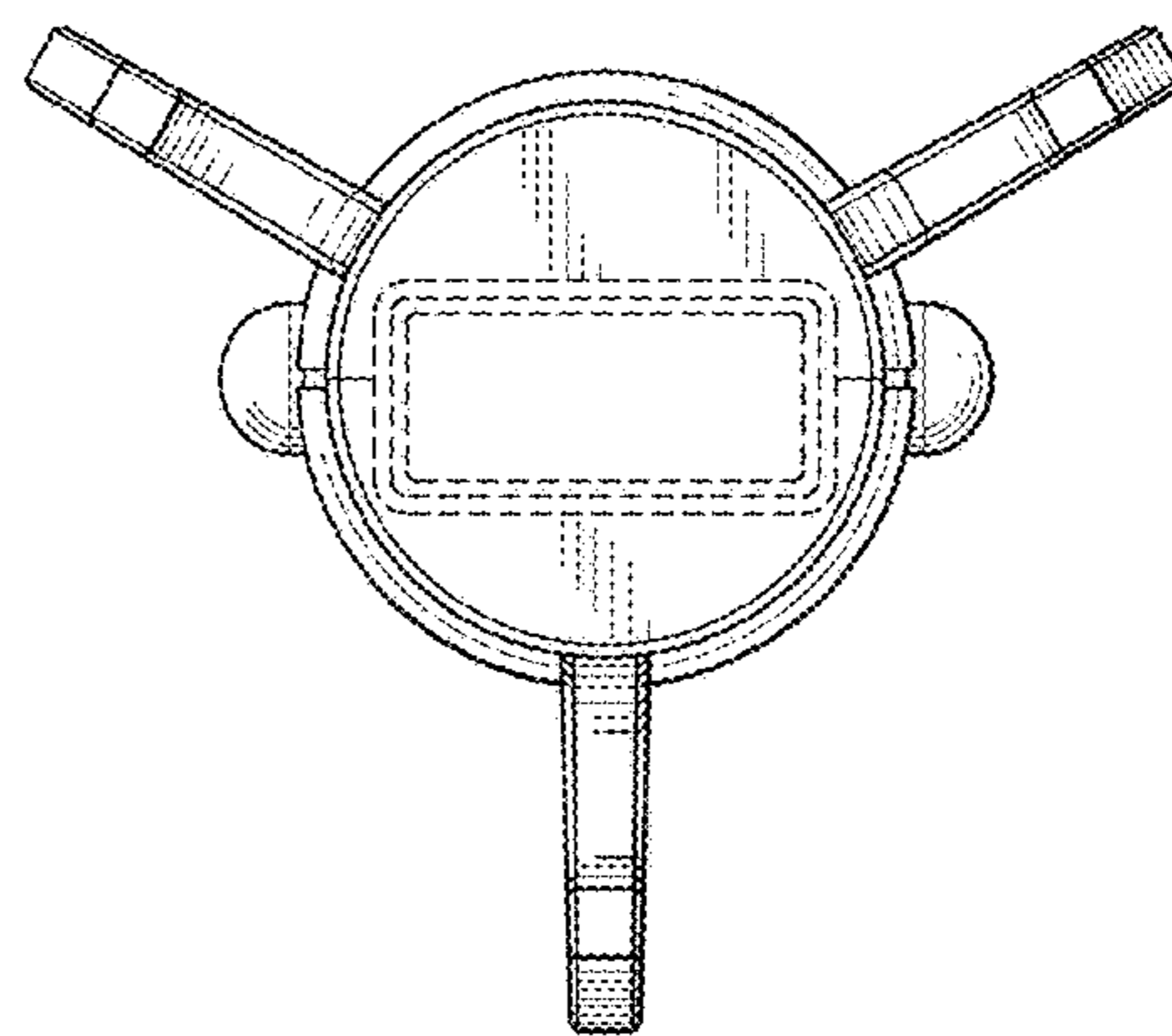


FIG. 4

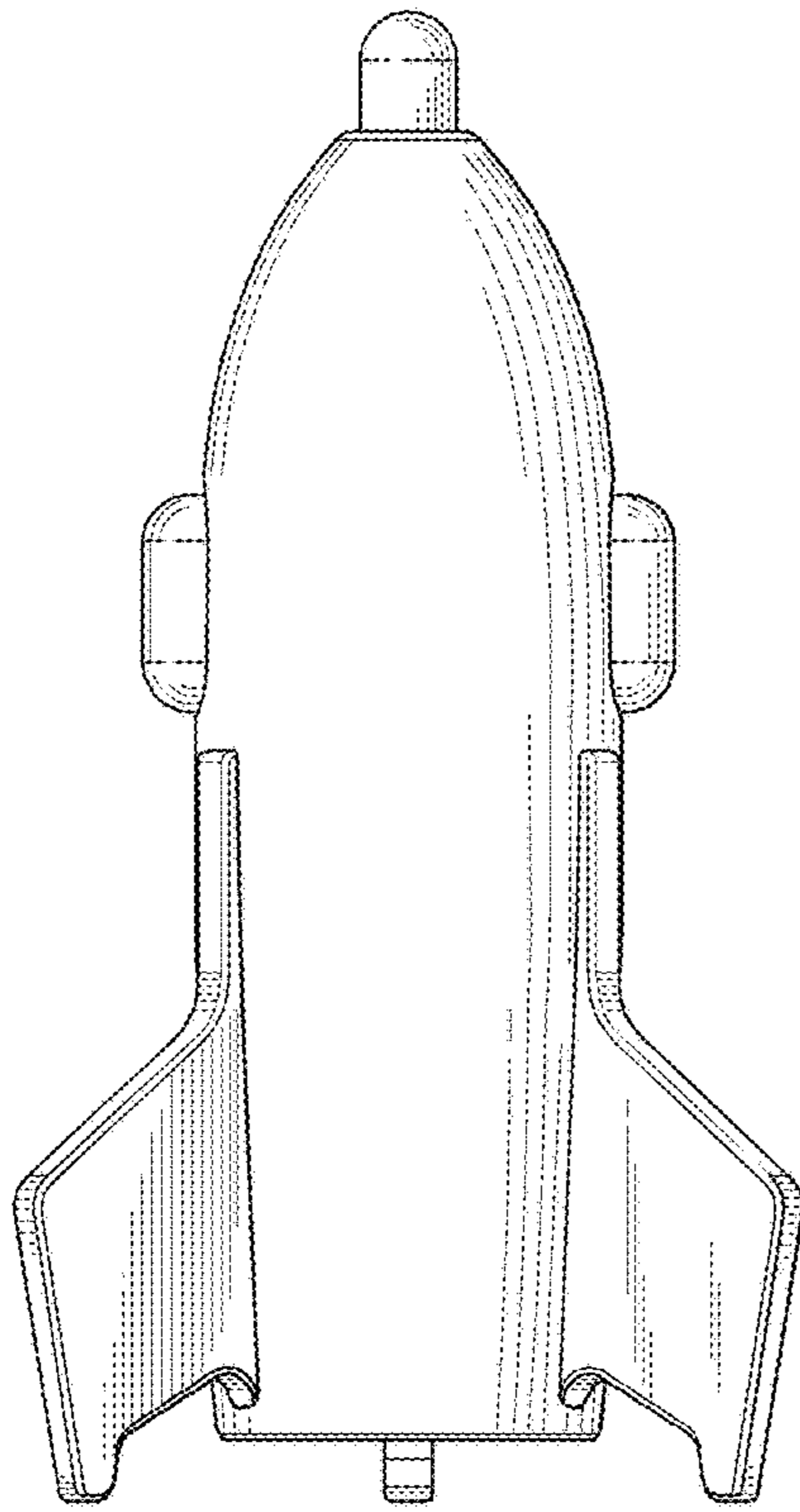


FIG.5

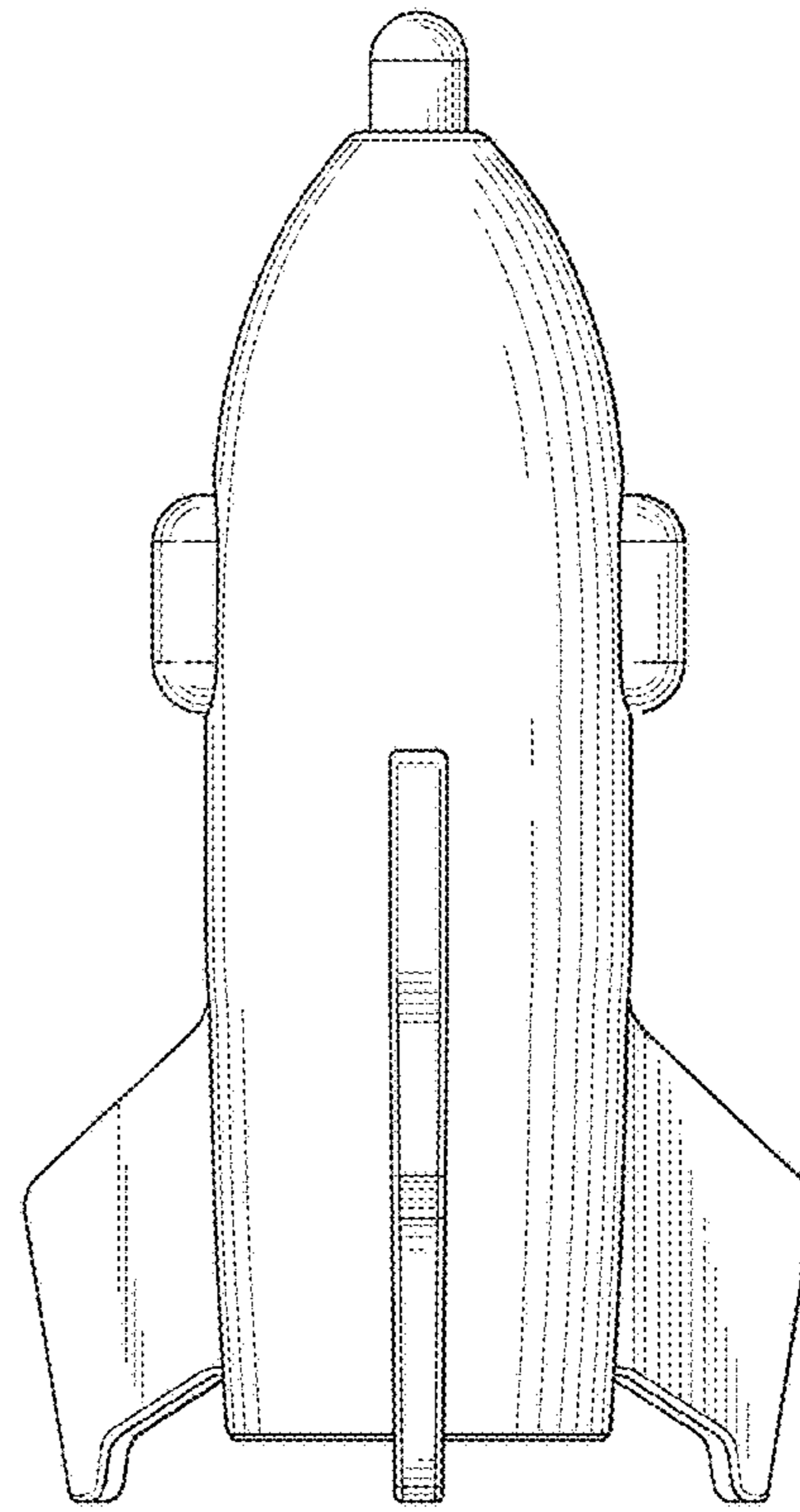


FIG.6

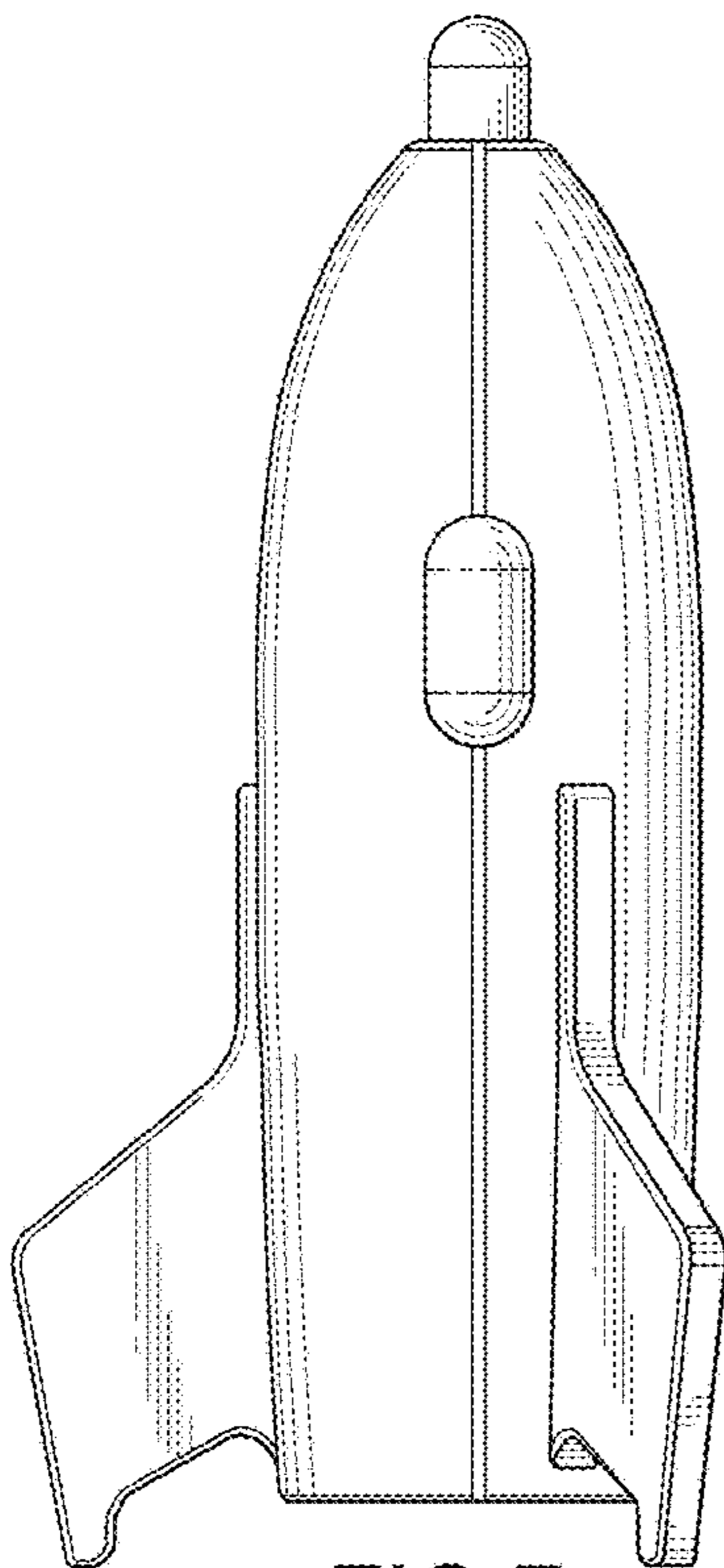


FIG.7

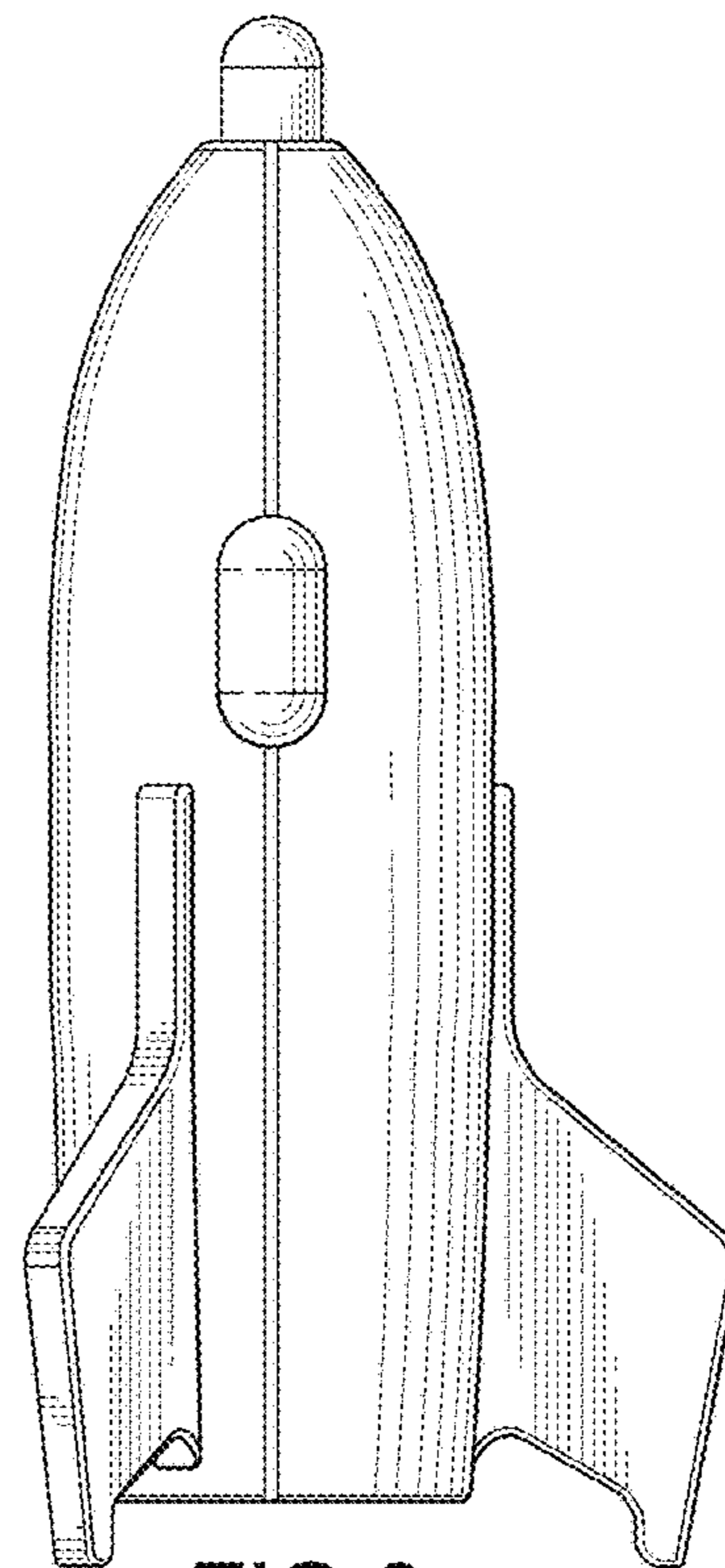


FIG.8