



US00D778820S

(12) **United States Design Patent** (10) **Patent No.:** **US D778,820 S**
Broadhurst, IV et al. (45) **Date of Patent:** **** Feb. 14, 2017**

(54) **PORTABLE CHARGER**
(71) Applicant: **Battery-Biz, Inc.**, Camarillo, CA (US)
(72) Inventors: **Douglas S. Broadhurst, IV**, Thousand Oaks, CA (US); **Ernesto J. Rodriguez**, Simi Valley, CA (US)
(73) Assignee: **Battery-Biz, Inc.**, Camarillo, CA (US)
(**) Term: **15 Years**
(21) Appl. No.: **29/550,618**

(22) Filed: **Jan. 5, 2016**
(51) **LOC (10) Cl.** **13-02**
(52) **U.S. Cl.**
USPC **D13/107**
(58) **Field of Classification Search**
USPC D13/103, 107-110, 118-119, 184, 199;
D14/251, 253, 432, 434, 356; 320/103,
320/107-115, 135, 138, 140
CPC Y02E 60/12; H02J 7/025; H02J 7/0042;
H02J 7/0044; H02J 7/0045; H02J 7/0003;
H02J 7/02; H01F 38/14; H04R 13/6675;
H01M 2/1022; H01M 2/1055; H01M
10/44; H01M 10/46
See application file for complete search history.

(56) **References Cited**
U.S. PATENT DOCUMENTS

D437,833 S * 2/2001 Hubler D13/162
D622,218 S * 8/2010 Tseng D13/108
D656,896 S * 4/2012 Fung D13/110

9,039,443 B2 * 5/2015 Rostami H02J 7/0042
439/502
D758,965 S * 6/2016 Jen D13/108
2013/0183852 A1 * 7/2013 Rostami H02J 7/0042
439/502

OTHER PUBLICATIONS

Web.Archive.Org: MyBuqu Car Chargers. Retrieved from the internet at <<https://web.archive.org/web/20160503235830/http://www.mybuqu.com/Store/Category-Viewer/car-chargers>>. Sep. 22, 2016. 2 pages.*

* cited by examiner

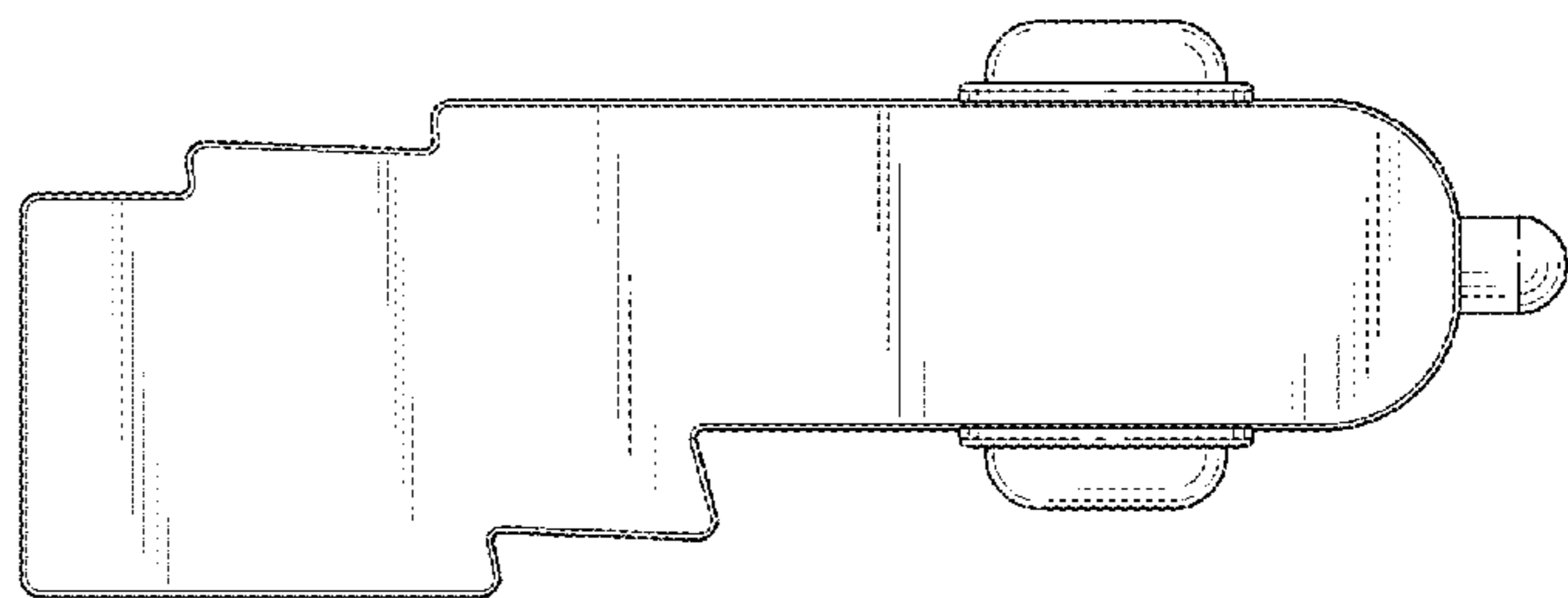
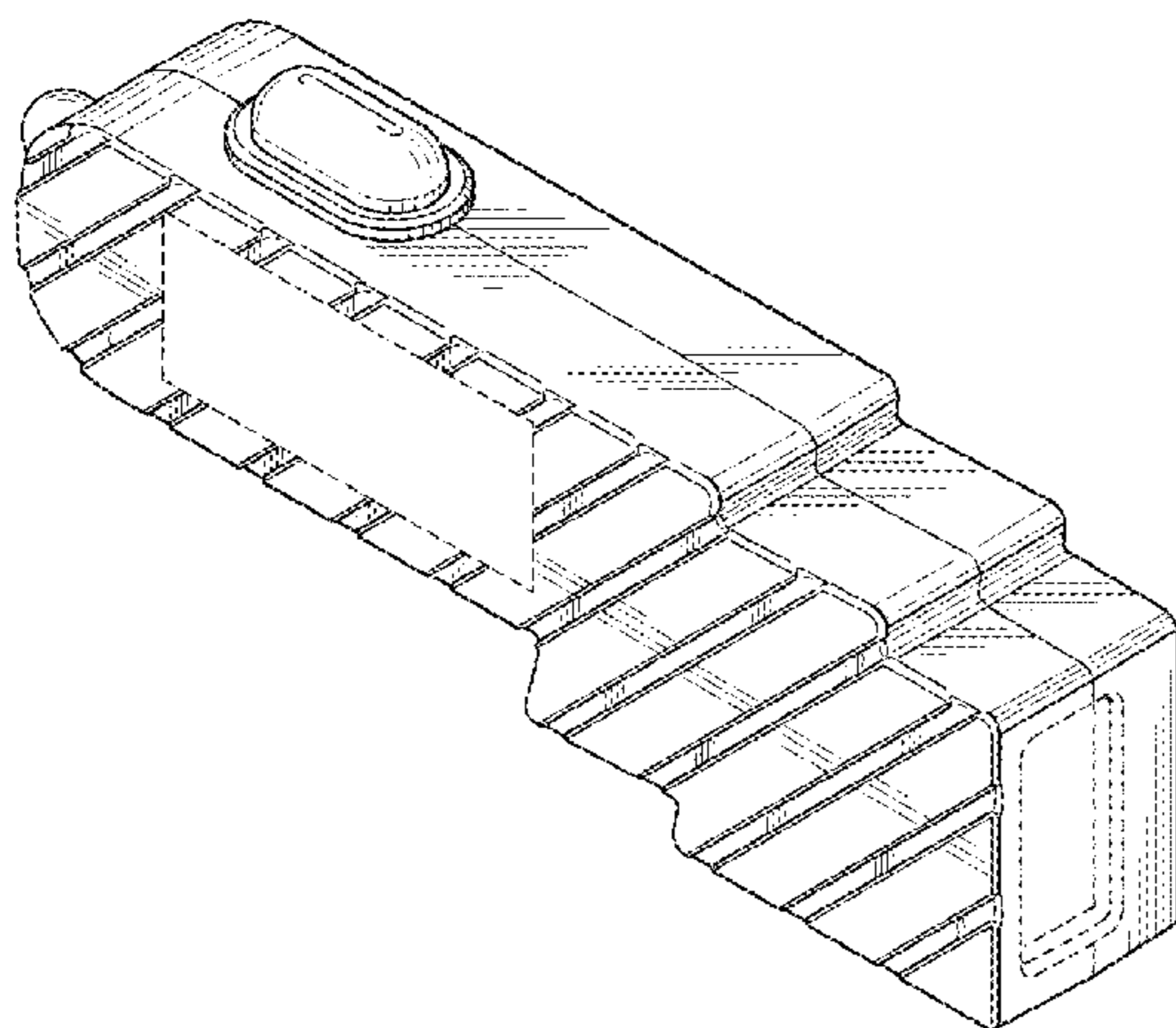
Primary Examiner — Rosemary K Tarcza
Assistant Examiner — Christy Nemeth
(74) *Attorney, Agent, or Firm* — Oppedahl Patent Law Firm LLC

(57) **CLAIM**
The ornamental design for a portable charger, as shown and described.

DESCRIPTION

FIG. 1 is a front side top perspective view of our new design for a portable charger;
FIG. 2 is a back side bottom perspective view of FIG. 1;
FIG. 3 is a left end view of FIG. 1;
FIG. 4 is a right end view of FIG. 1;
FIG. 5 is a front elevational view of FIG. 1;
FIG. 6 is a back elevational view of FIG. 1;
FIG. 7 is a top view of FIG. 1; and,
FIG. 8 is a bottom side view of FIG. 1.
The broken lines illustrate environmental structure and form no part of the claimed design.

1 Claim, 2 Drawing Sheets



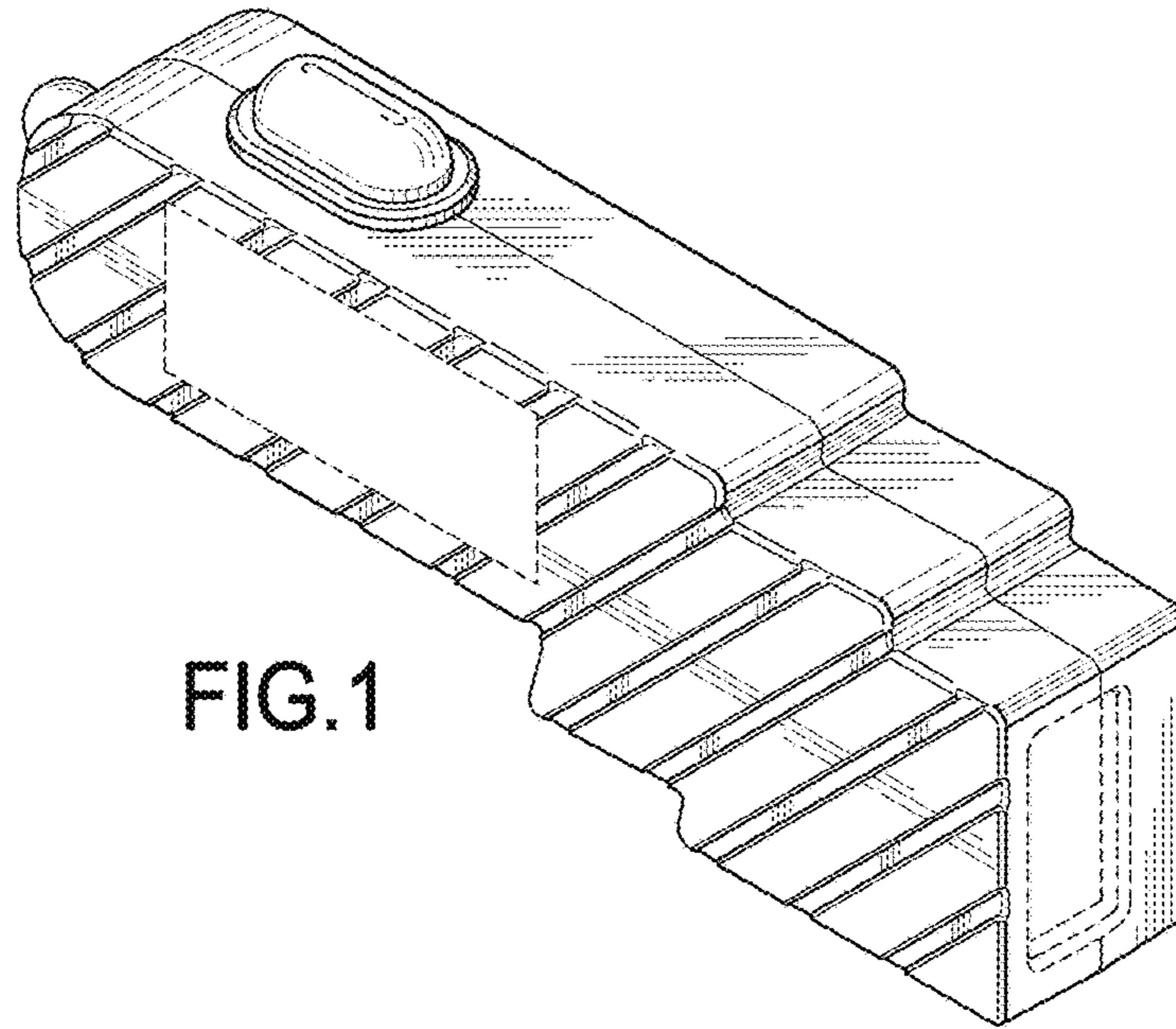


FIG.1

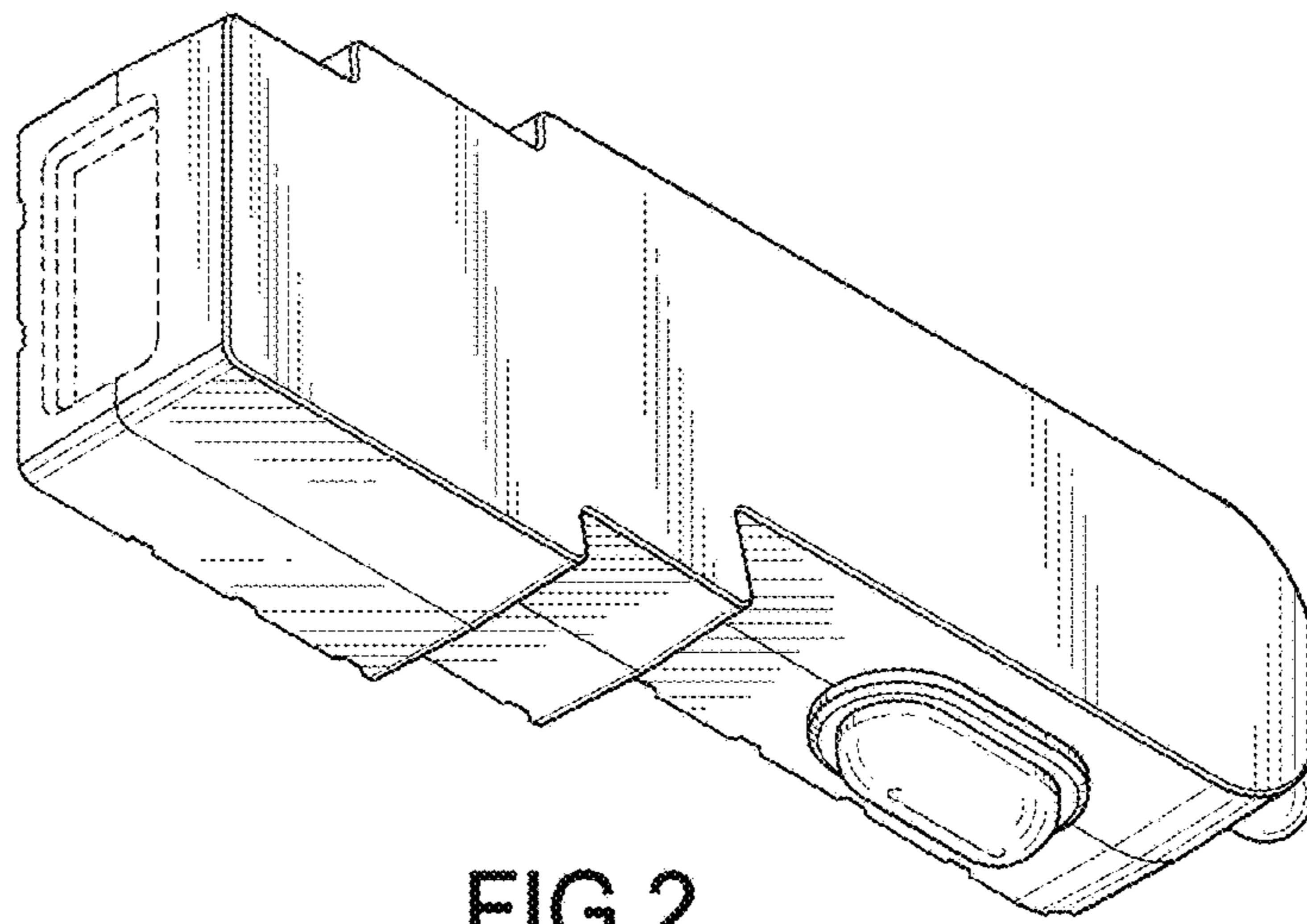


FIG.2

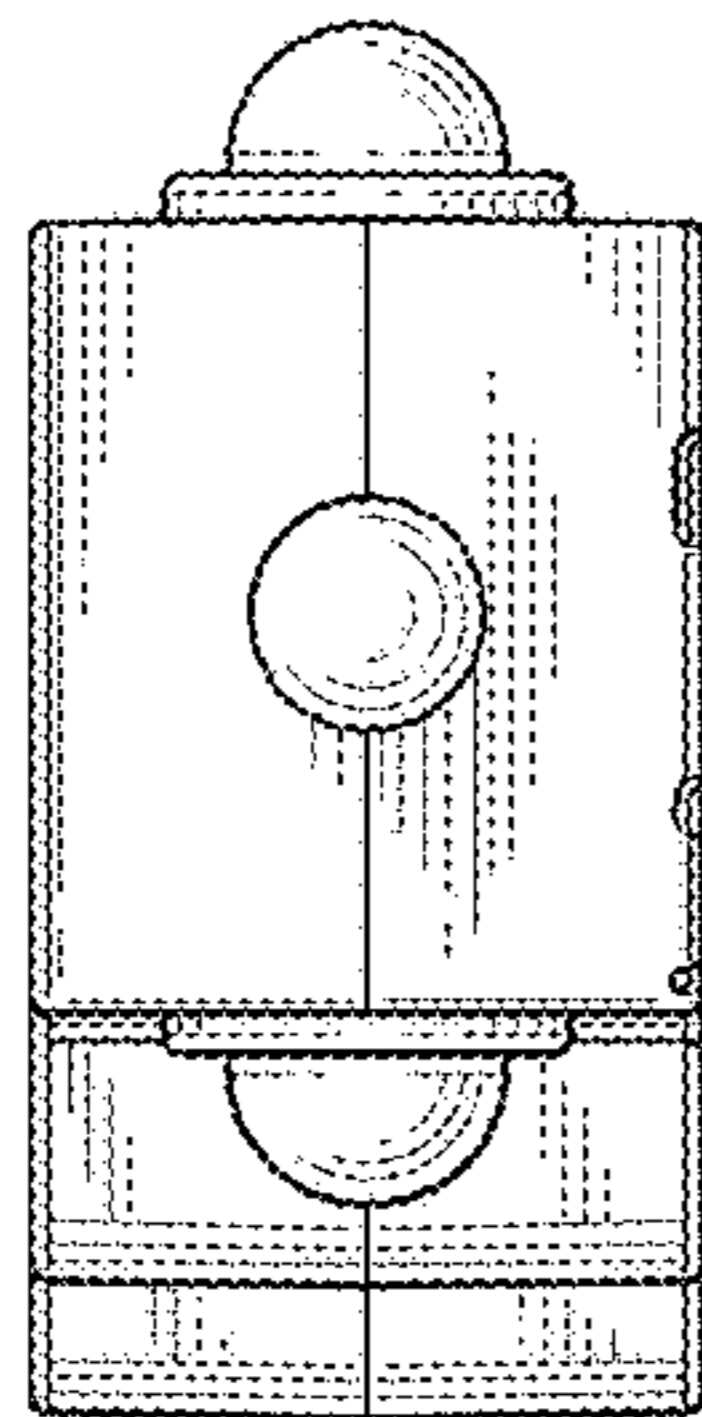


FIG.3

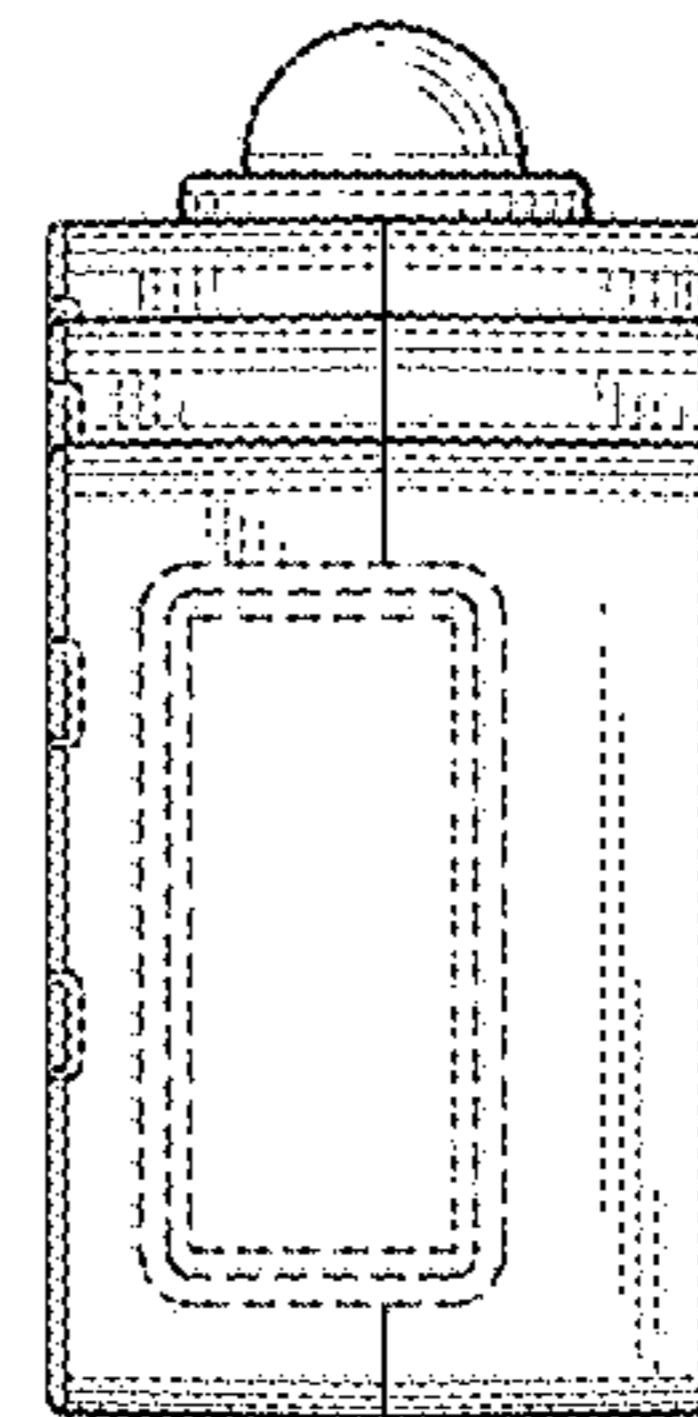


FIG.4

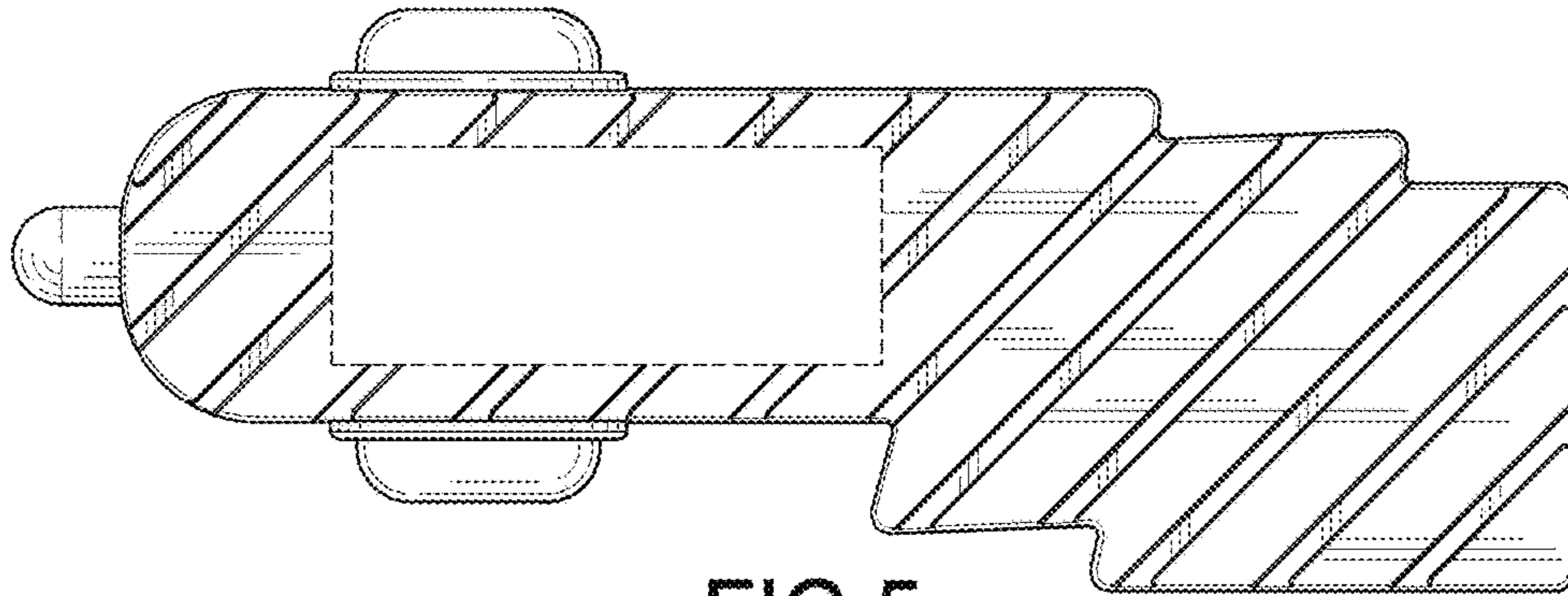


FIG. 5

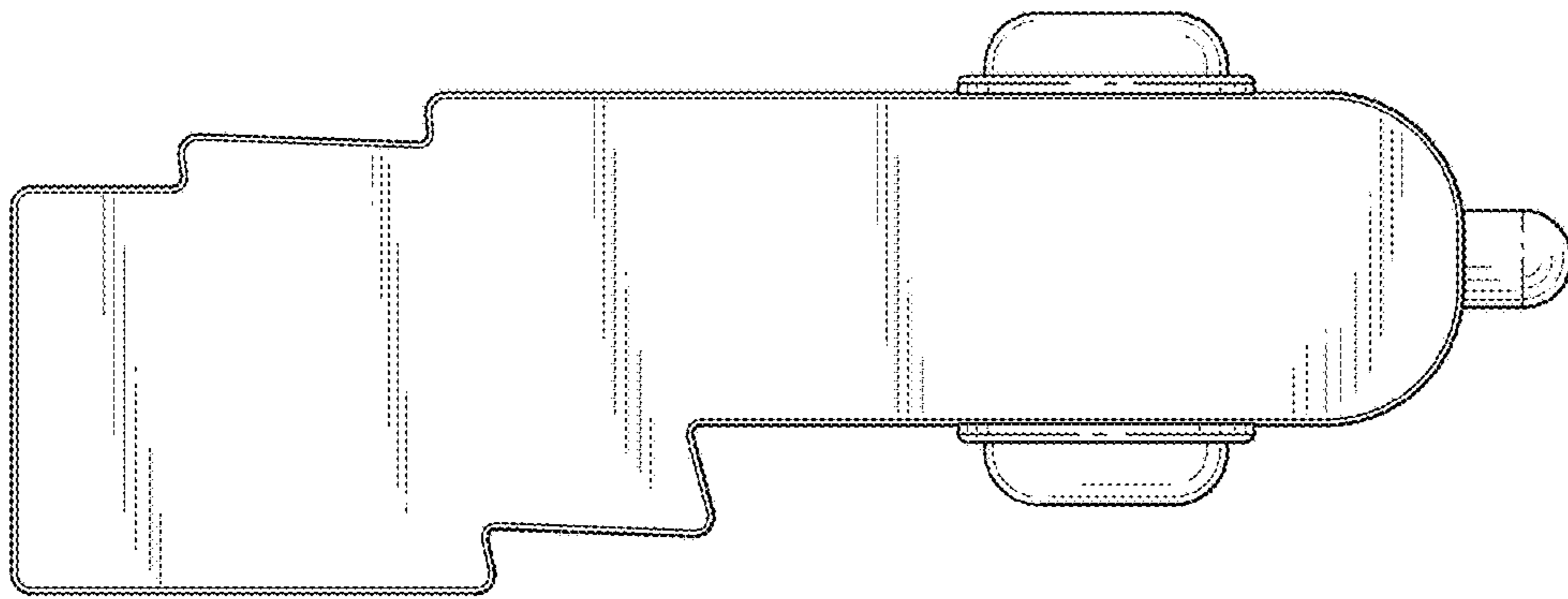


FIG. 6

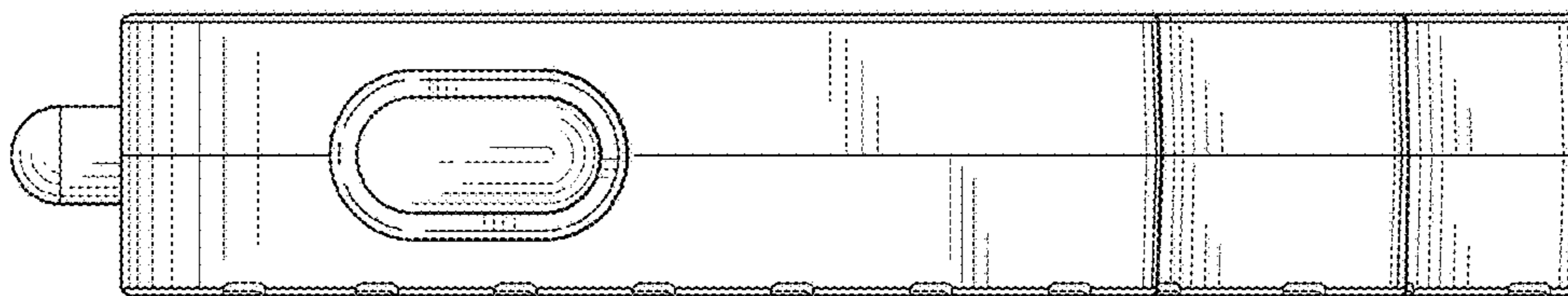


FIG. 7

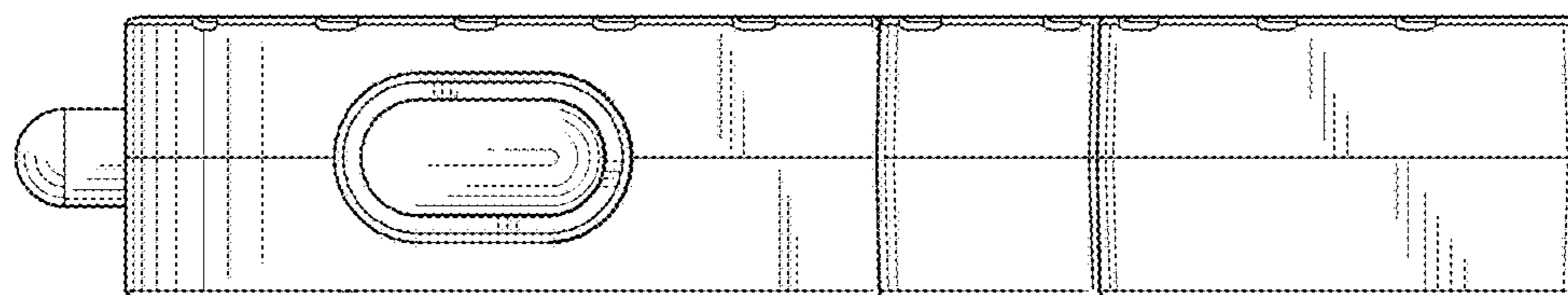


FIG. 8