



US00D778817S

(12) **United States Design Patent**
Dalen

(10) **Patent No.:** **US D778,817 S**

(45) **Date of Patent:** **** Feb. 14, 2017**

(54) **SOLAR PANEL PAIR**

(71) Applicant: **Albert van Dalen**, Maastricht (NL)

(72) Inventor: **Albert van Dalen**, Maastricht (NL)

(**) Term: **14 Years**

(21) Appl. No.: **29/508,503**

(22) Filed: **Nov. 7, 2014**

(51) **LOC (10) Cl.** **13-02**

(52) **U.S. Cl.**
USPC **D13/102**

(58) **Field of Classification Search**
USPC 126/580, 581, 611, 621, 622, 623; 136/200,
136/243, 244, 245, 251, 256, 291; 438/66,
438/72, 80; D13/101, 102, 107, 184,
D13/199; D12/111, 114, 116, 407;
180/2.2

CPC Y02E 10/50; Y02E 10/544; H02S 30/20;
H01L 31/042; B60K 16/00; B60K
2016/003; Y02T 10/90; Y02T 10/1077

See application file for complete search history.

(56) **References Cited**

U.S. PATENT DOCUMENTS

2,256,629	A *	9/1941	Schwinn	224/426
3,375,141	A *	3/1968	Julius	136/244
D260,386	S *	8/1981	Palmer et al.	D12/407
4,516,647	A *	5/1985	Novak	180/2.2
D303,235	S *	9/1989	Allen	D12/111
5,028,066	A *	7/1991	Garth	280/282
5,316,101	A *	5/1994	Gannon	180/221
5,489,002	A *	2/1996	Streiff	180/65.31
D374,848	S *	10/1996	Liles et al.	D12/114

D469,057	S *	1/2003	Shugar	D13/102
D547,715	S *	7/2007	Faber et al.	D12/426
7,273,221	B2 *	9/2007	Ockenden	280/288.4
D680,252	S *	4/2013	Du	D26/60
8,419,118	B2 *	4/2013	Petersen et al.	296/210
D689,016	S *	9/2013	Nook et al.	D13/102
D709,801	S *	7/2014	Kristensen	D12/111
2003/0217874	A1 *	11/2003	Schoenberg	180/2.2
2004/0216933	A1 *	11/2004	Coale	180/19.1
2009/0277699	A1 *	11/2009	Wan	180/2.2
2010/0314179	A1 *	12/2010	Gibson	180/2.2
2012/0042936	A1 *	2/2012	Feichtinger et al.	136/252
2013/0299251	A1 *	11/2013	Wilson et al.	180/2.2

* cited by examiner

Primary Examiner — Derrick Holland
Assistant Examiner — Jennifer O King

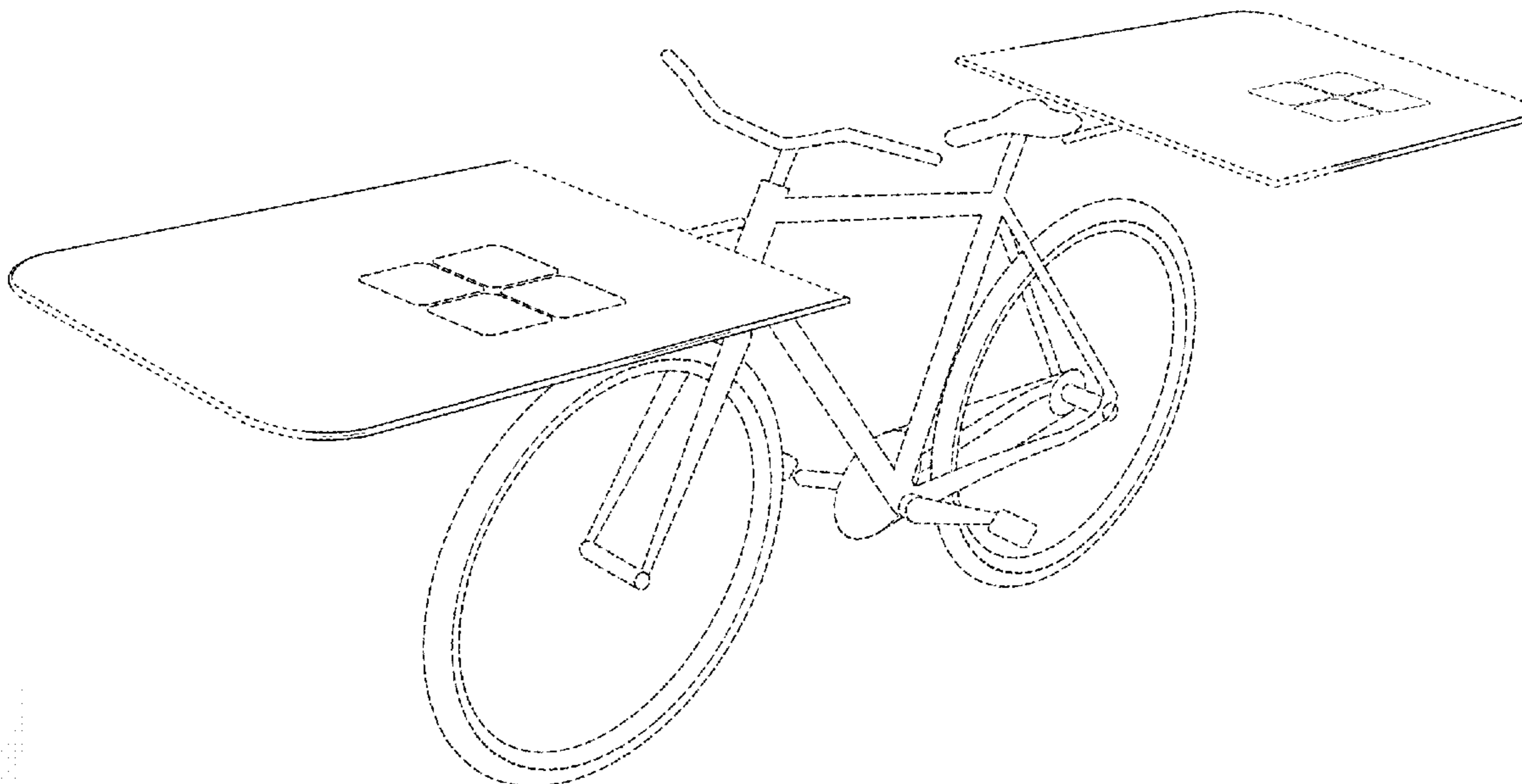
(57) **CLAIM**

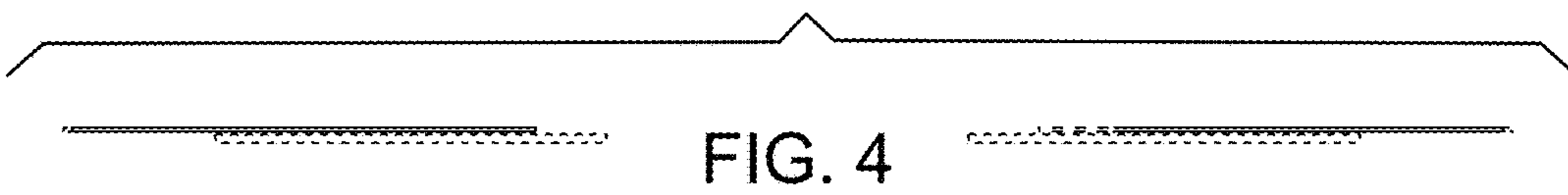
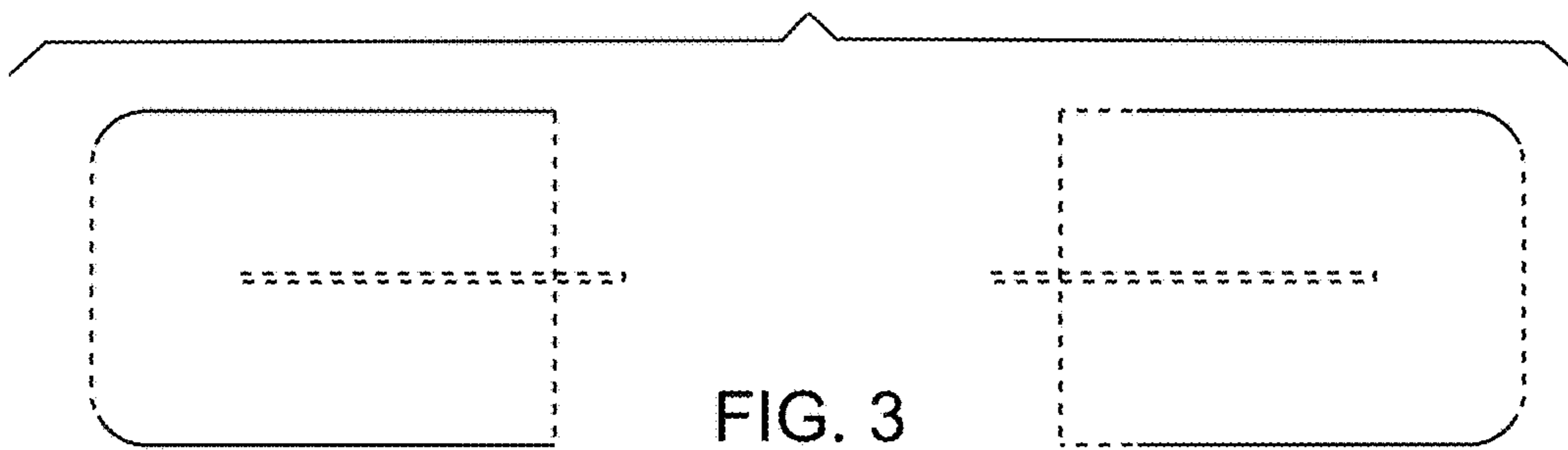
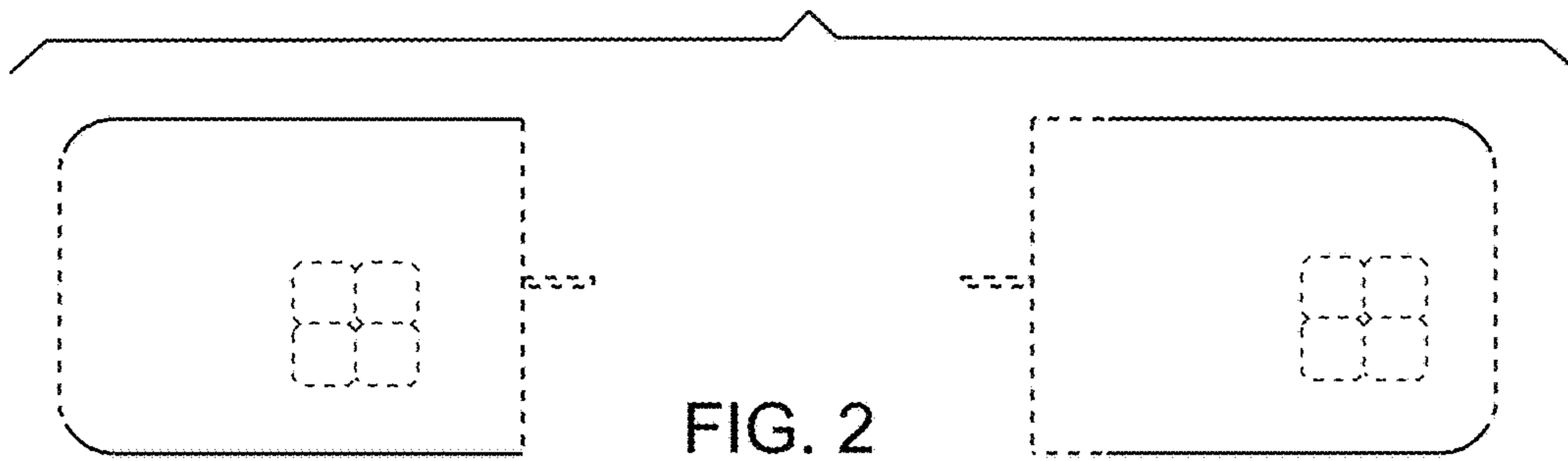
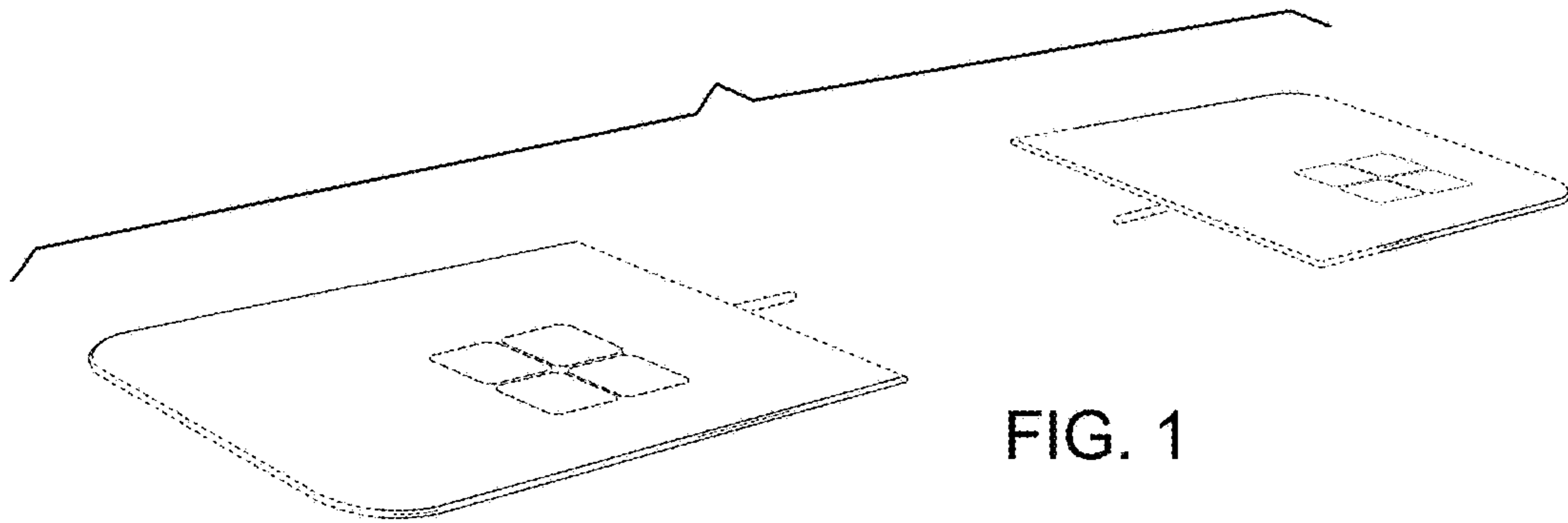
The ornamental design for a solar panel pair, as shown and described.

DESCRIPTION

FIG. 1 is a perspective view the solar panel pair showing my new design;
FIG. 2 is a top view thereof;
FIG. 3 is a bottom view thereof;
FIG. 4 is a left and right view thereof;
FIG. 5 is a front and rear view thereof; and,
FIG. 6 is an exemplary diagram of the use of the solar panel pair thereof the broken lines are being shown for illustrative purposes only and form no part of the claimed design.
The broken lines in FIG. 1 to FIG. 5 show portions of the solar panel pair which form no part of the claimed design.

1 Claim, 2 Drawing Sheets





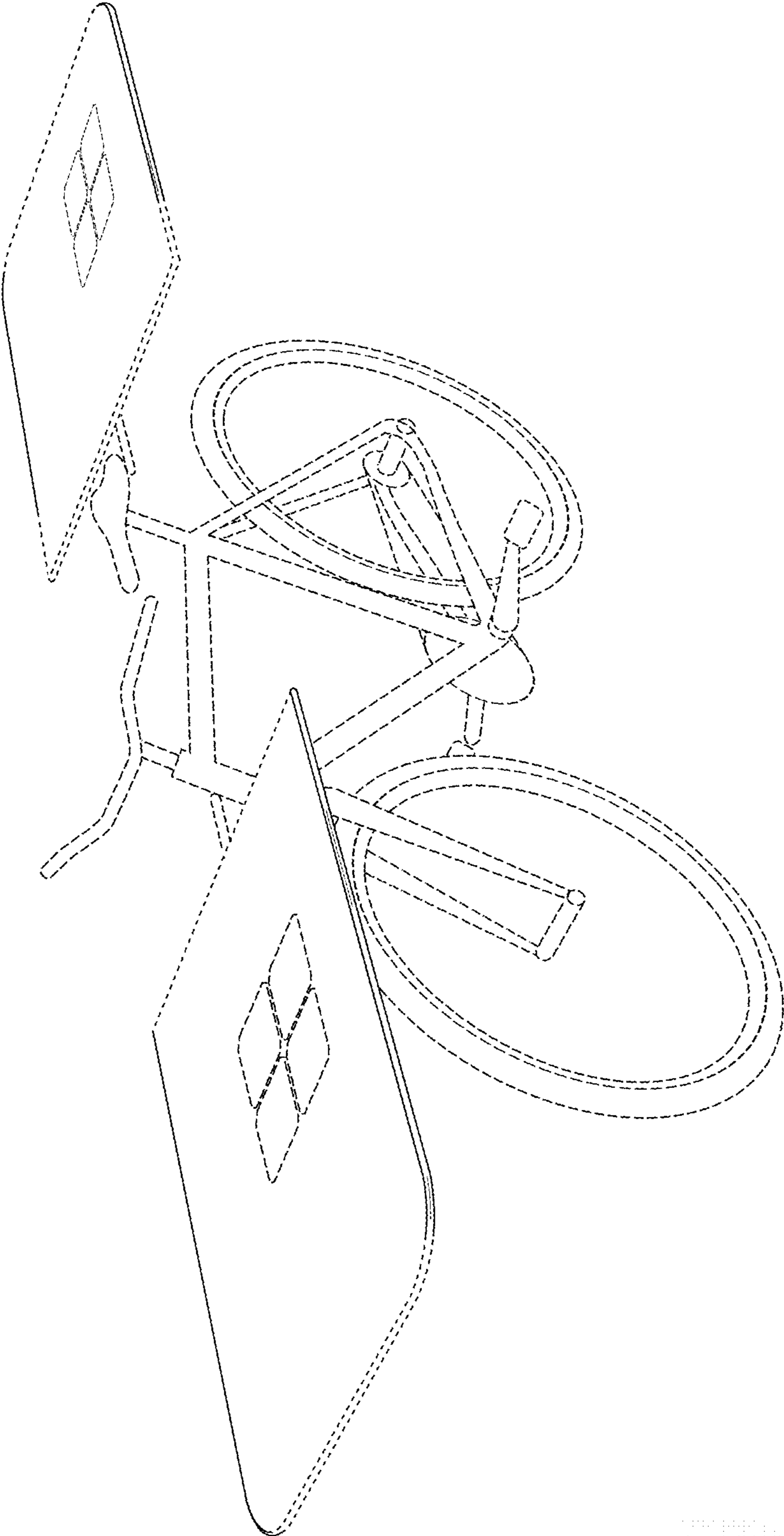


FIG. 6

FIG. 6