



US00D778812S

(12) **United States Design Patent**
Fujioka

(10) **Patent No.:** **US D778,812 S**

(45) **Date of Patent:** **** Feb. 14, 2017**

(54) **TIRE**

(71) Applicant: **TOYO TIRE & RUBBER CO., LTD.**,
Osaka-shi, Osaka (JP)

(72) Inventor: **Tsuyoshi Fujioka**, Osaka (JP)

(73) Assignee: **TOYO TIRE & RUBBER CO., LTD.**,
Osaka-Shi, Osaka (JP)

(**) Term: **14 Years**

(21) Appl. No.: **29/520,984**

(22) Filed: **Mar. 19, 2015**

(30) **Foreign Application Priority Data**

Dec. 10, 2014 (JP) 2014-027512

(51) **LOC (10) Cl.** **12-15**

(52) **U.S. Cl.**
USPC **D12/602; D12/900**

(58) **Field of Classification Search**
USPC D12/559, 564, 570, 574, 581, 582, 583,
D12/584, 585, 586, 588, 589, 590, 591,
D12/594, 595, 598, 600, 601, 602, 603
CPC B60C 11/03; B60C 11/0306; B60C 11/11;
B60C 11/12; B60C 11/0311; B60C
11/0346; B60C 11/0386
See application file for complete search history.

(56) **References Cited**

U.S. PATENT DOCUMENTS

D388,033 S * 12/1997 Scheuren D12/594
D444,740 S * 7/2001 Le D12/602

D502,683 S * 3/2005 Pang D12/602
D598,370 S * 8/2009 Beha D12/583
D660,224 S * 5/2012 Takahashi D12/602
9,221,305 B2 * 12/2015 Washizuka B60C 11/0311
D751,975 S * 3/2016 Cerny D12/583

FOREIGN PATENT DOCUMENTS

JP D1466090 S 4/2013

* cited by examiner

Primary Examiner — Robert M Spear

(74) *Attorney, Agent, or Firm* — Sterne, Kessler,
Goldstein & Fox P.L.L.C.

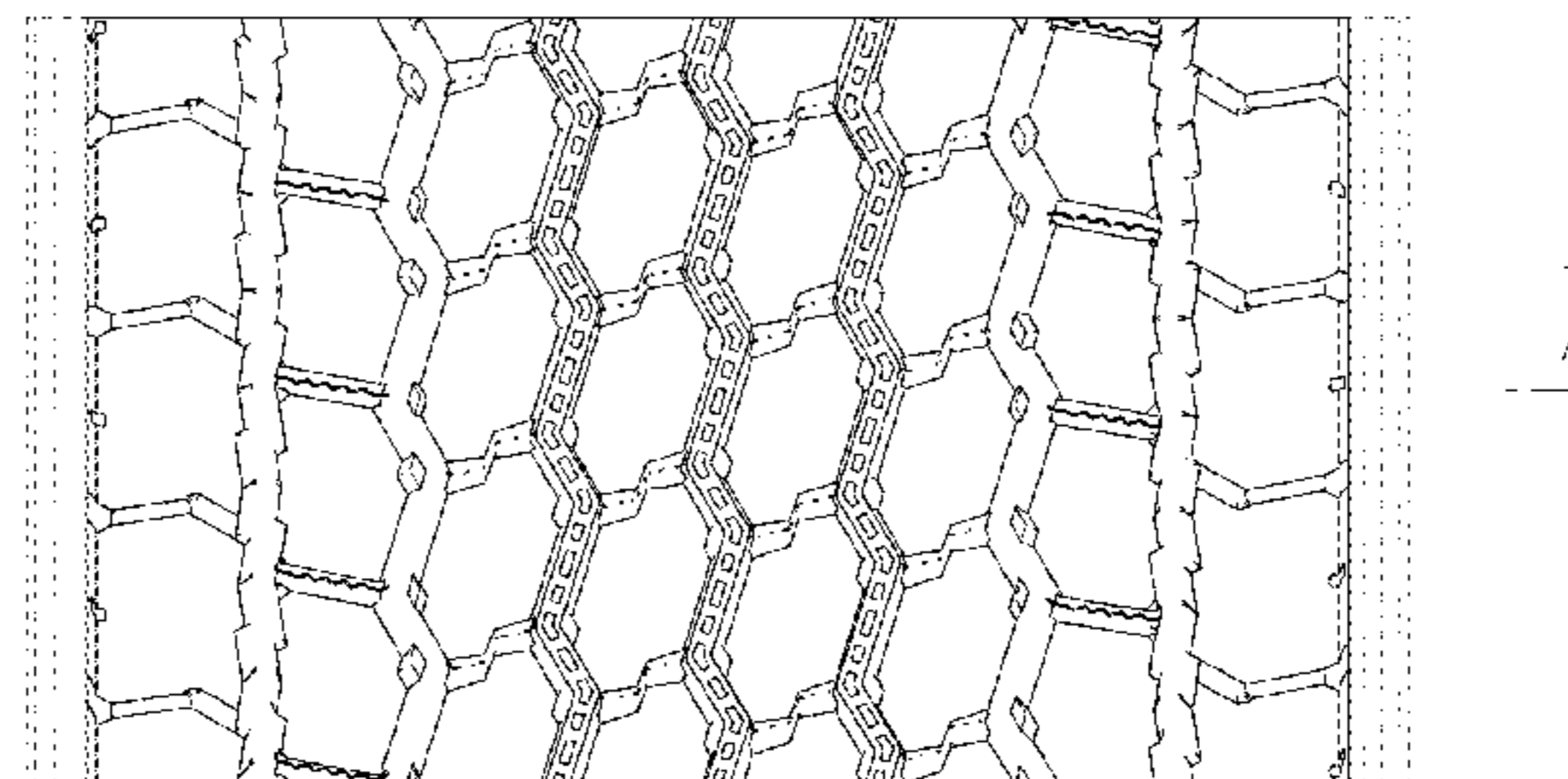
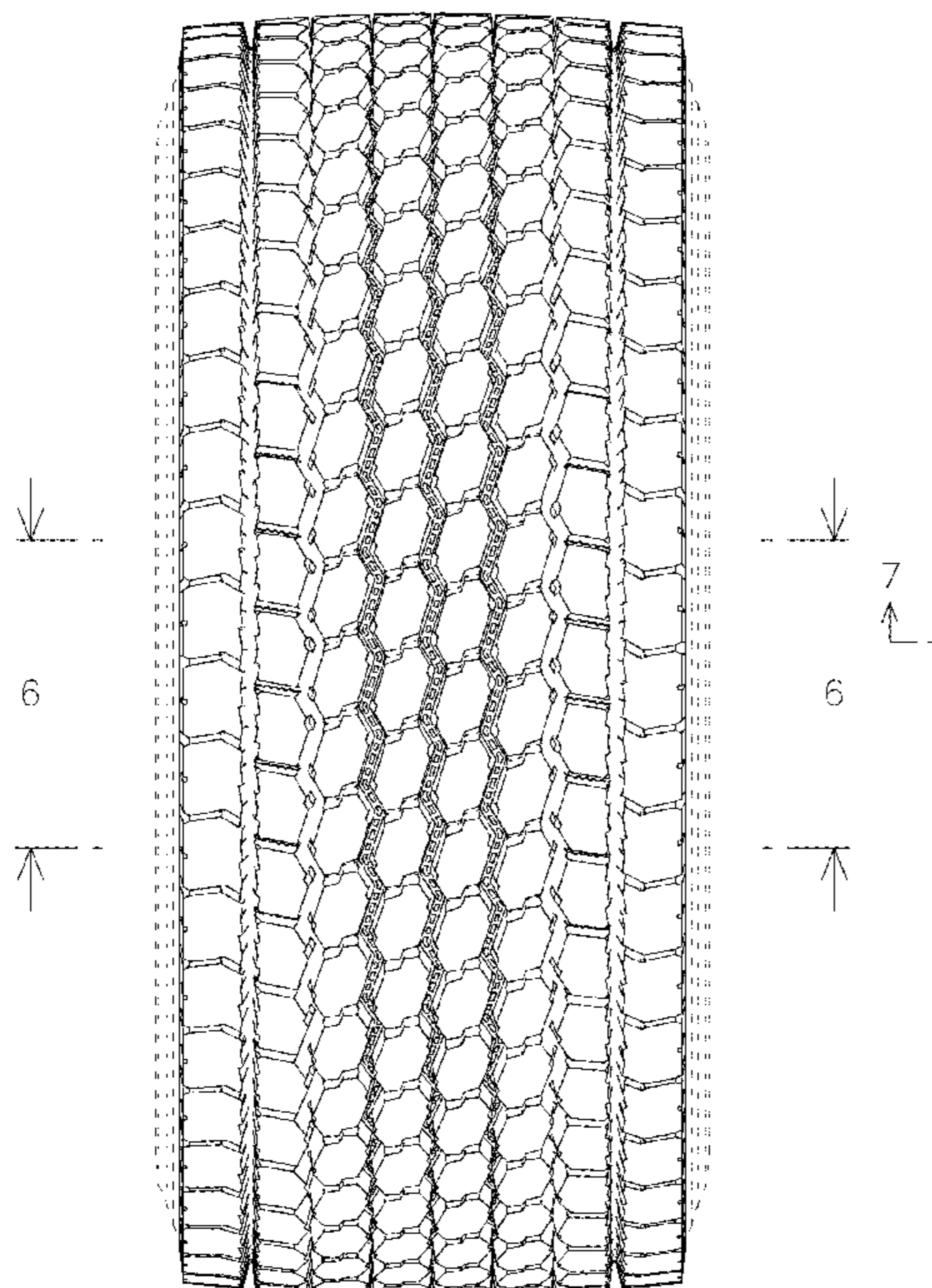
(57) **CLAIM**

The ornamental design for a tire, as shown and described.

DESCRIPTION

FIG. 1 is a perspective view of a tire showing the claimed design;
FIG. 2 is a front view thereof, the rear view being the same;
FIG. 3 is a top plan view thereof, the bottom plan view being the same;
FIG. 4 is a right side view thereof;
FIG. 5 is a left side view thereof;
FIG. 6 is an enlarged view of the portion 6-6 in FIG. 2;
FIG. 7 is an enlarged cross-sectional view taken along line 7-7 in FIG. 6; and,
FIG. 8 is an enlarged view taken along line 8-8 in FIG. 1.
In the drawings, the broken lines showing portions of the tire tread, sidewall, and inner bead depict portions of the tire that form no part of the claimed design.

1 Claim, 8 Drawing Sheets



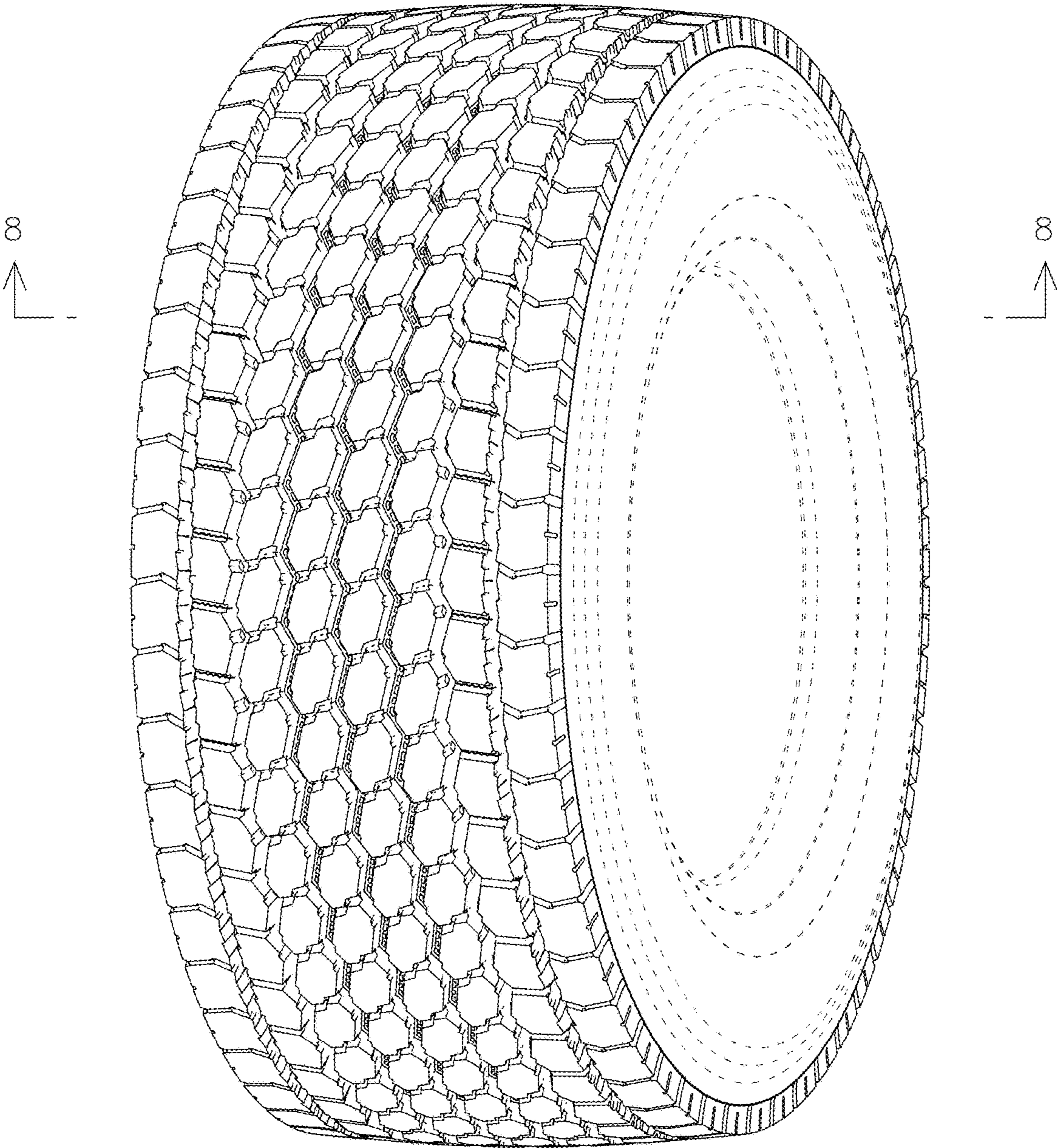


FIG. 1

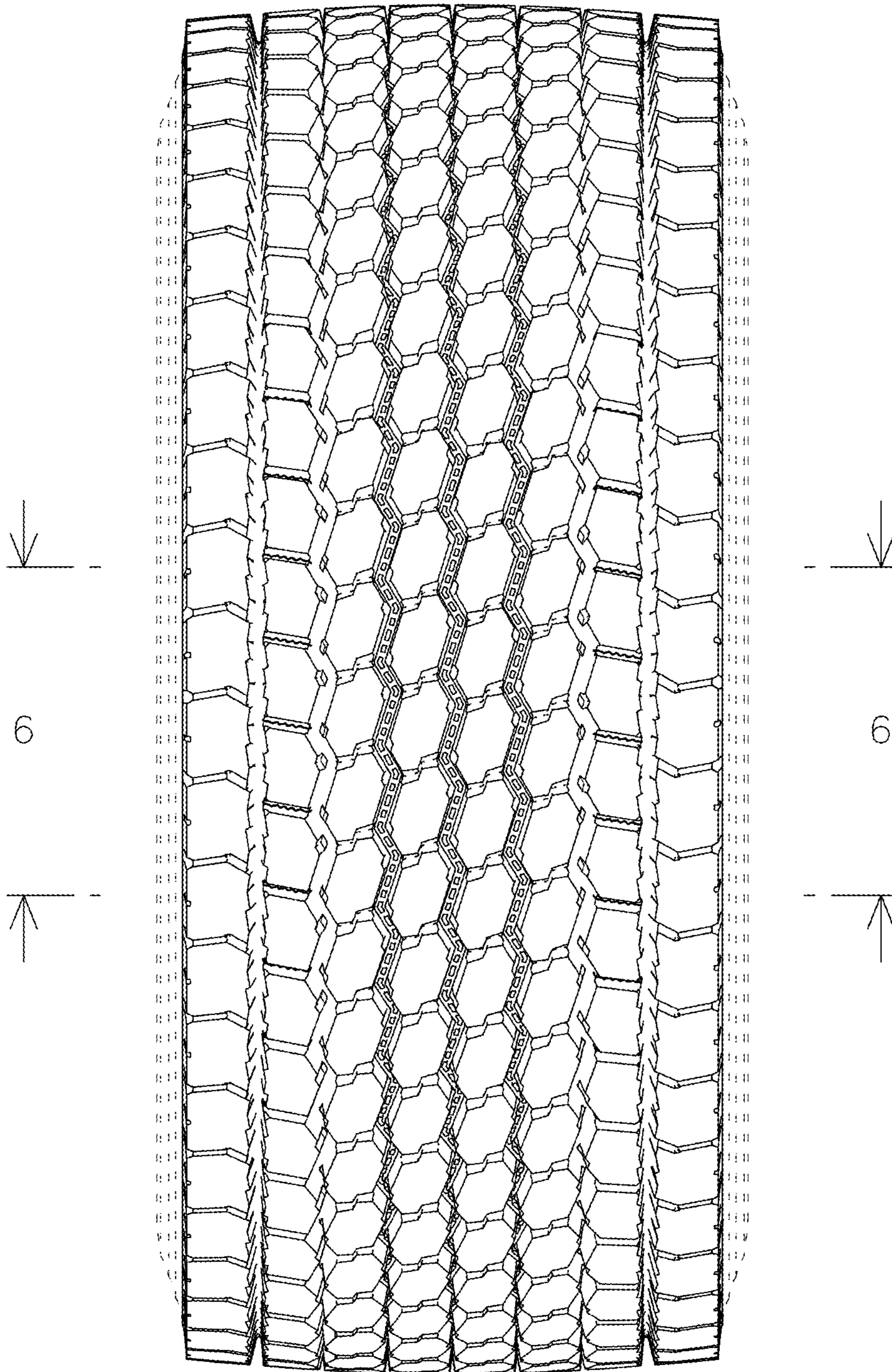


FIG. 2

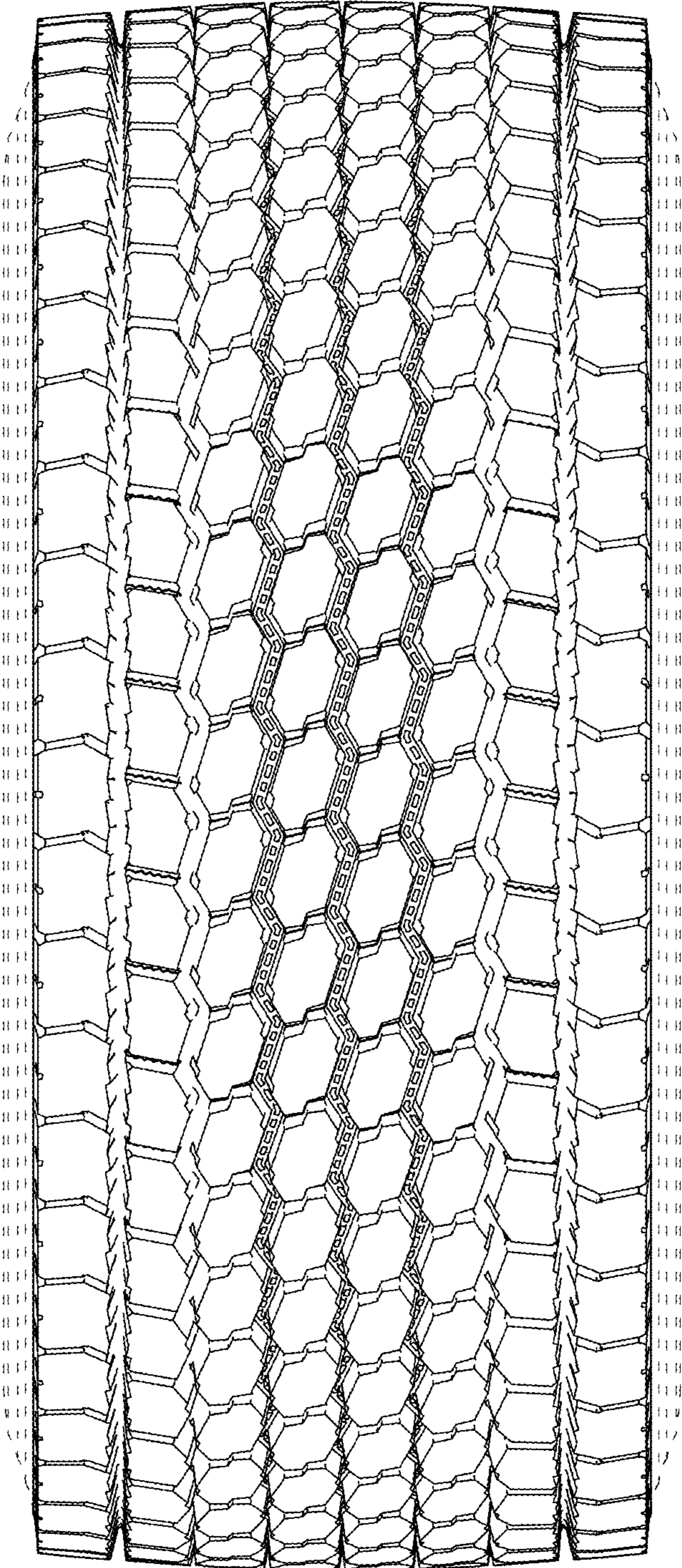


FIG. 3

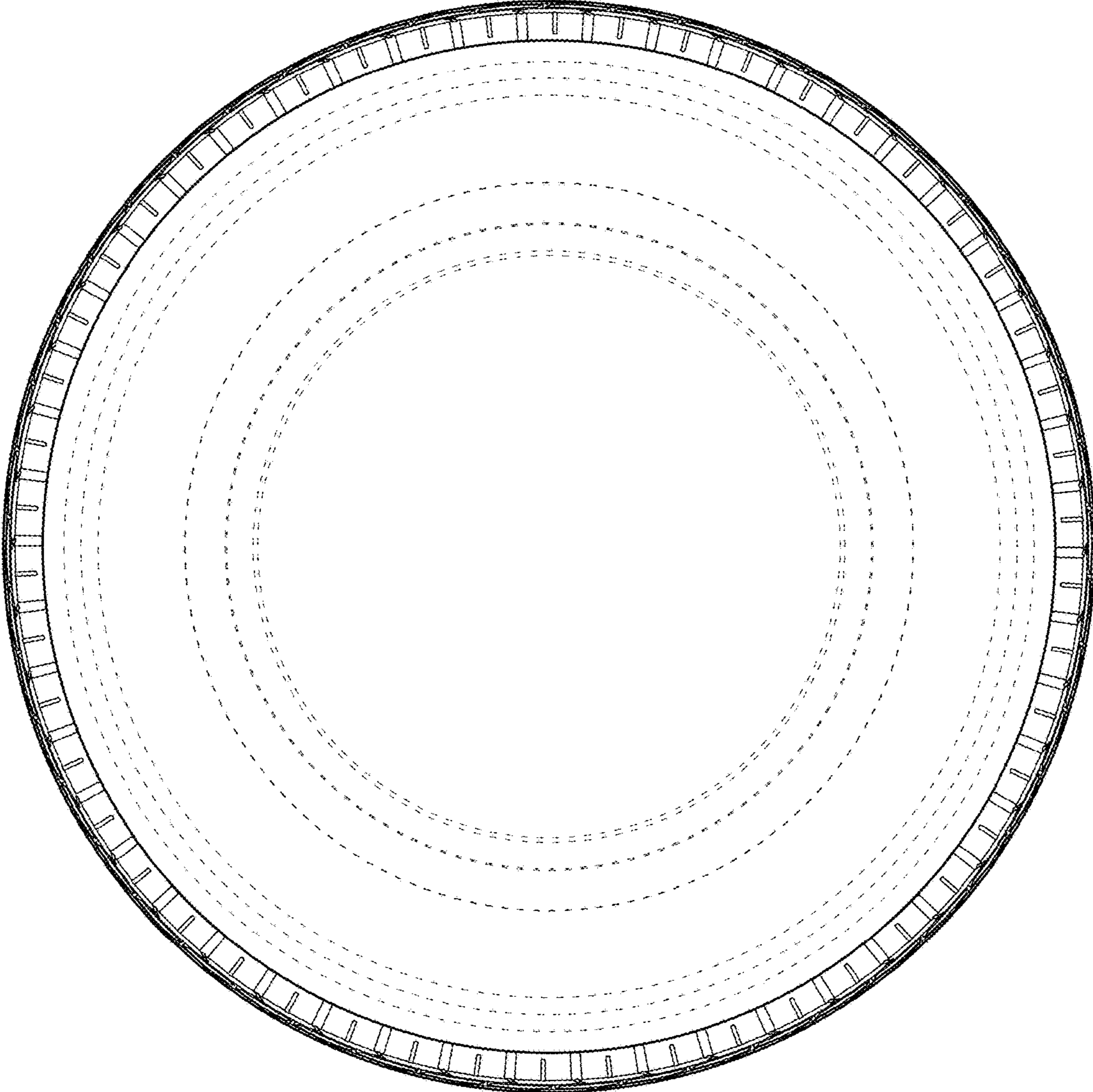


FIG. 4

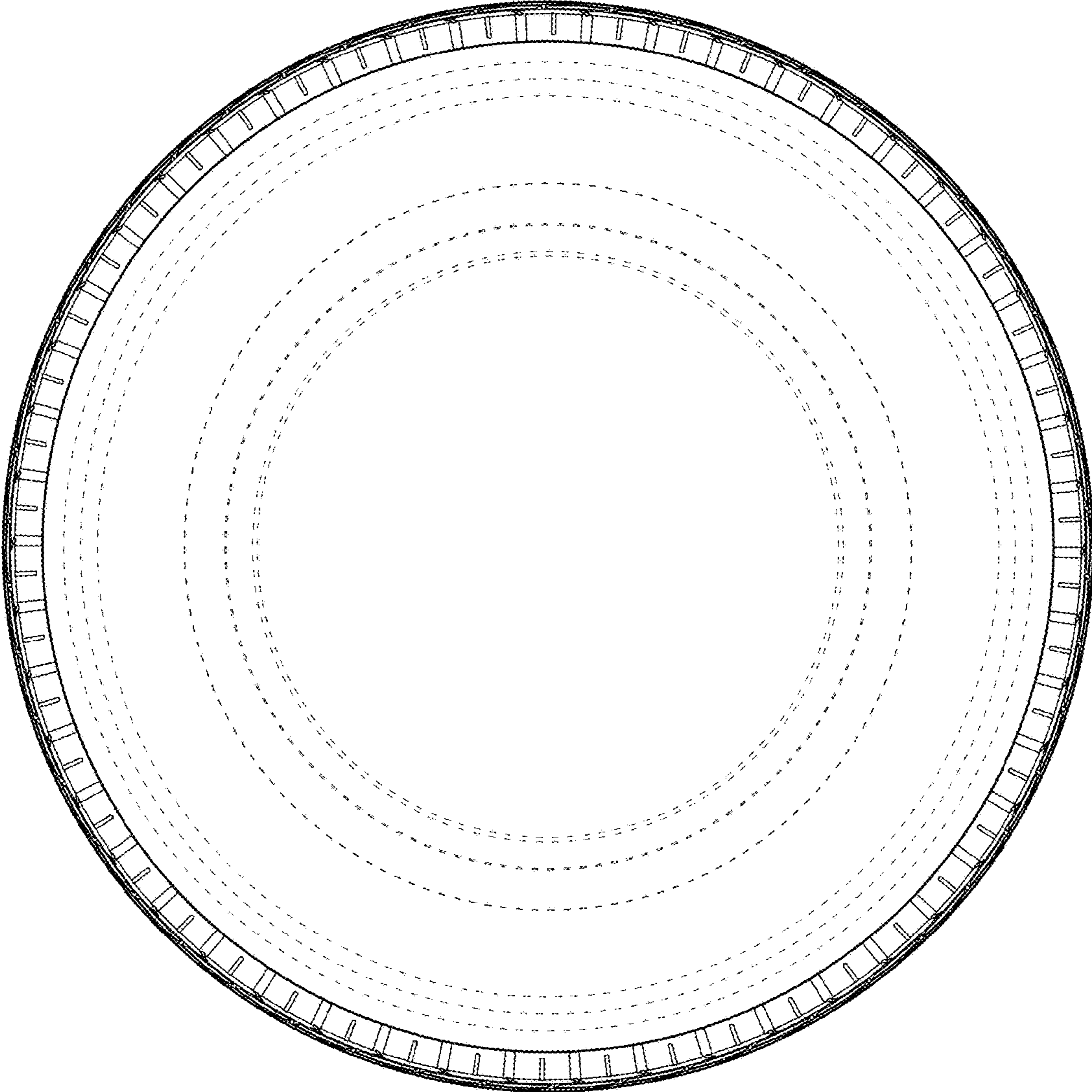


FIG. 5

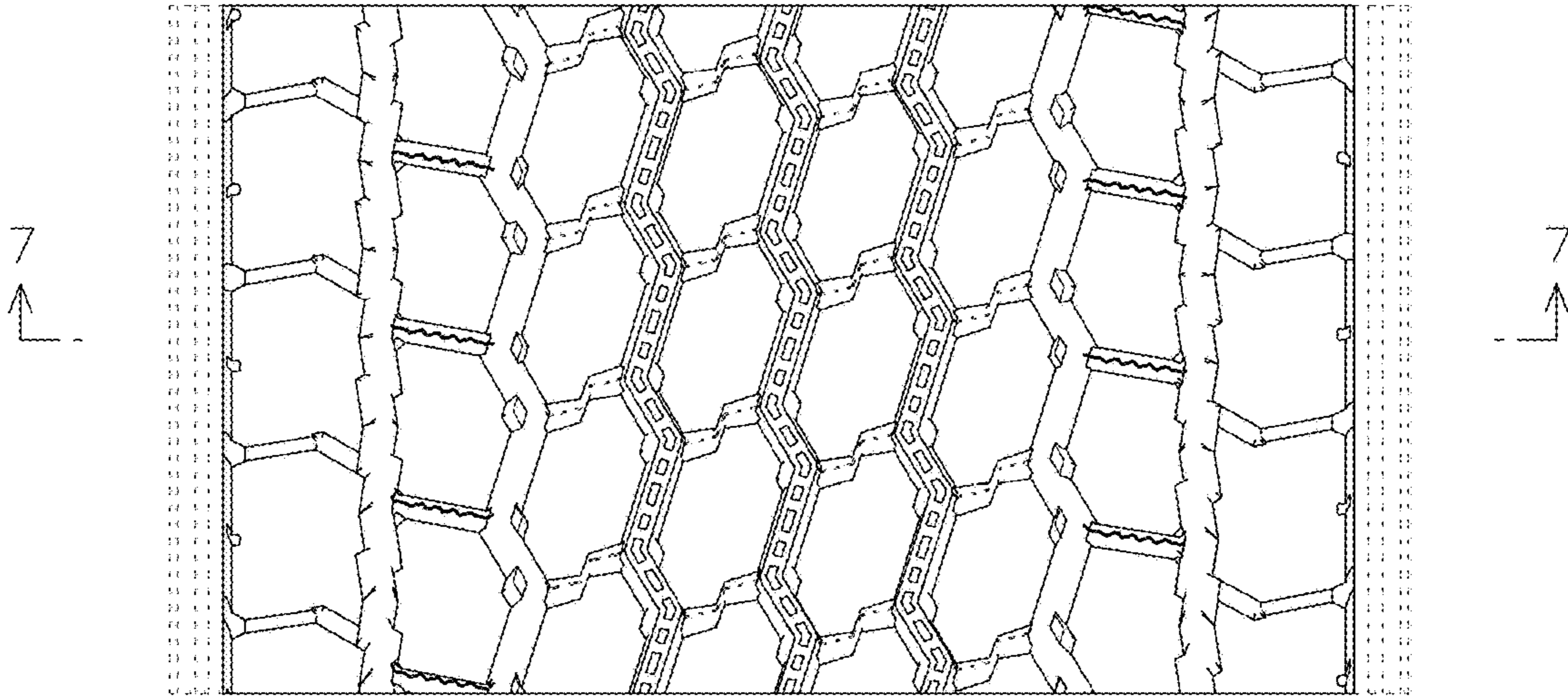


FIG. 6

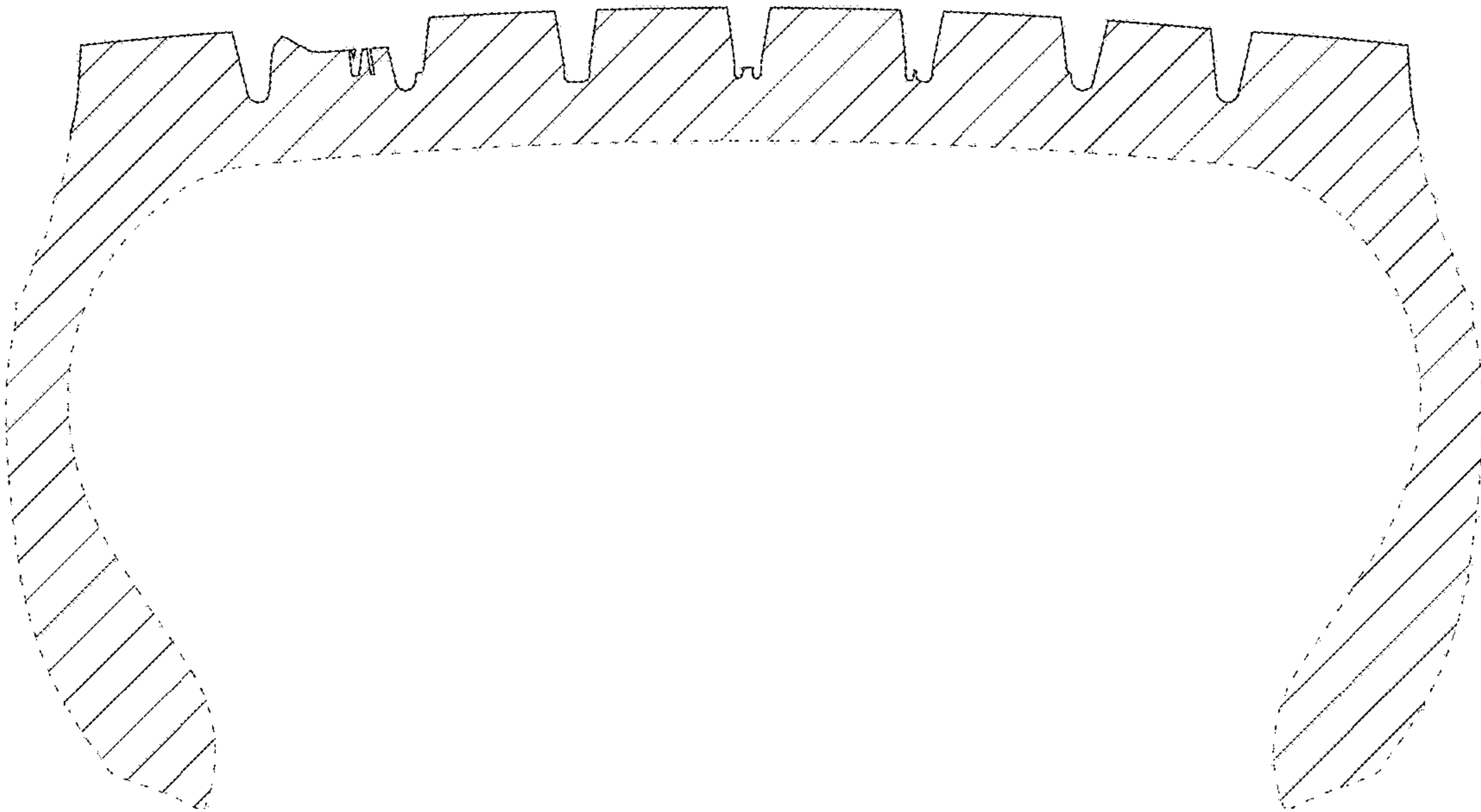


FIG. 7

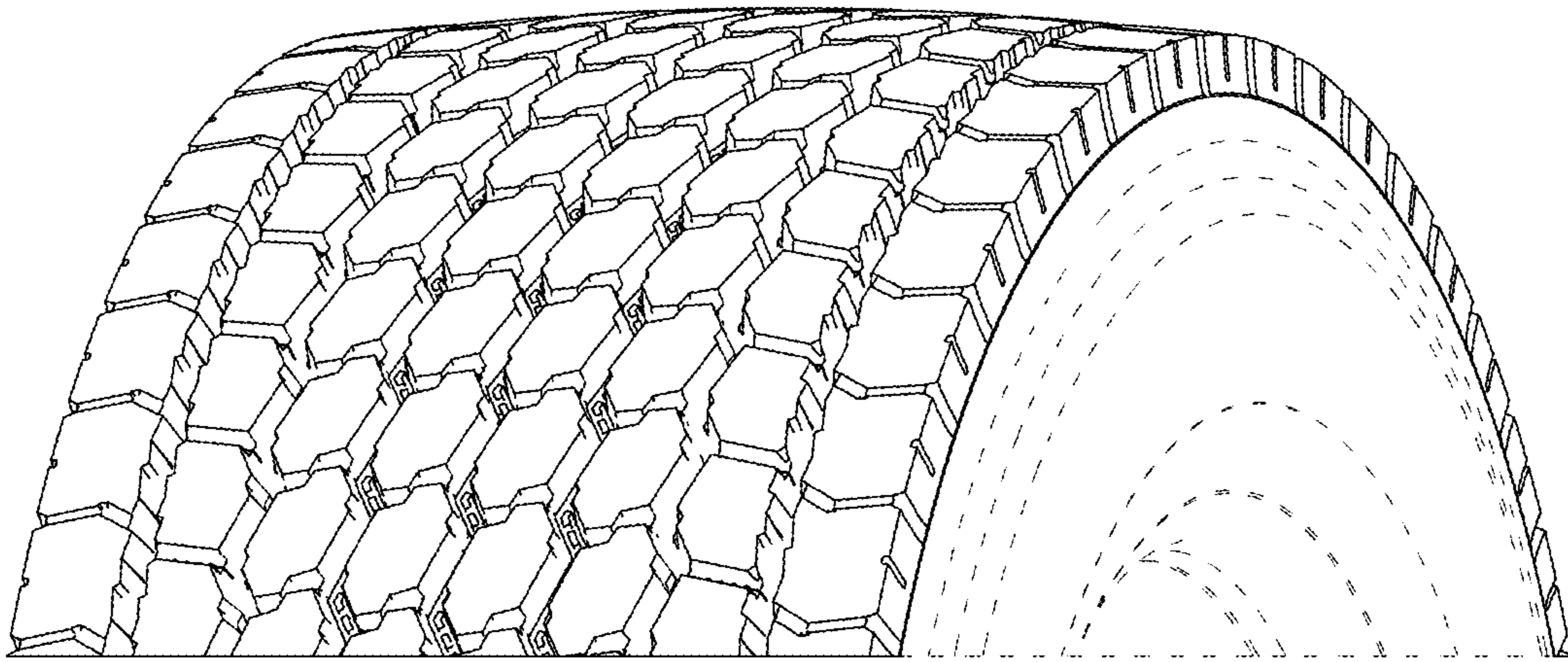


FIG. 8