



US00D778811S

(12) **United States Design Patent**  
**Chen**

(10) **Patent No.:** **US D778,811 S**

(45) **Date of Patent:** **\*\* Feb. 14, 2017**

(54) **TIRE TREAD**

(71) Applicant: **COOPER TIRE & RUBBER COMPANY**, Findlay, OH (US)

(72) Inventor: **Kitty F. Chen**, Shanghai (CN)

(73) Assignee: **COOPER TIRE & RUBBER COMPANY**, Findlay, OH (US)

(\*\*) Term: **14 Years**

(21) Appl. No.: **29/491,809**

(22) Filed: **May 23, 2014**

(51) **LOC (10) Cl.** ..... **12-15**

(52) **U.S. Cl.**  
USPC ..... **D12/601; D12/900**

(58) **Field of Classification Search**  
USPC ..... D12/568-603, 605  
CPC ..... B60C 11/0306; B60C 11/0309; B60C 2011/0346; B60C 11/0304; B60C 11/0332; B60C 11/042; B60C 2011/0372; B60C 2011/0374; B60C 2011/0388; B60C 11/1236; B60C 11/1392; B60C 2011/0341; B60C 11/0302; B60C 11/11; B60C 2011/0365; B60C 2011/0369; B60C 2011/0381; B60C 11/032; B60C 11/1369; B60C 2011/0348; B60C 2011/0353; Y10S 152/902; Y10S 152/03

See application file for complete search history.

(56) **References Cited**

**U.S. PATENT DOCUMENTS**

D92,716 S \* 7/1934 Fritch ..... D12/569  
D103,103 S \* 2/1937 Hower ..... 152/523  
D563,864 S \* 3/2008 Ochi ..... D12/601

D615,923 S \* 5/2010 Ohashi ..... D12/588  
D640,967 S \* 7/2011 Ohashi ..... D12/595  
D738,299 S \* 9/2015 Jacobs ..... D12/588

\* cited by examiner

*Primary Examiner* — Manpreet Matharu

*Assistant Examiner* — Mojtaba Tehrani

(74) *Attorney, Agent, or Firm* — Fay Sharpe LLP

(57) **CLAIM**

The ornamental design for a tire tread, as shown and described.

**DESCRIPTION**

FIG. 1 is a partial perspective view of the tire tread showing our new design, it being understood that the pattern repeats uniformly throughout the circumference of the tread;

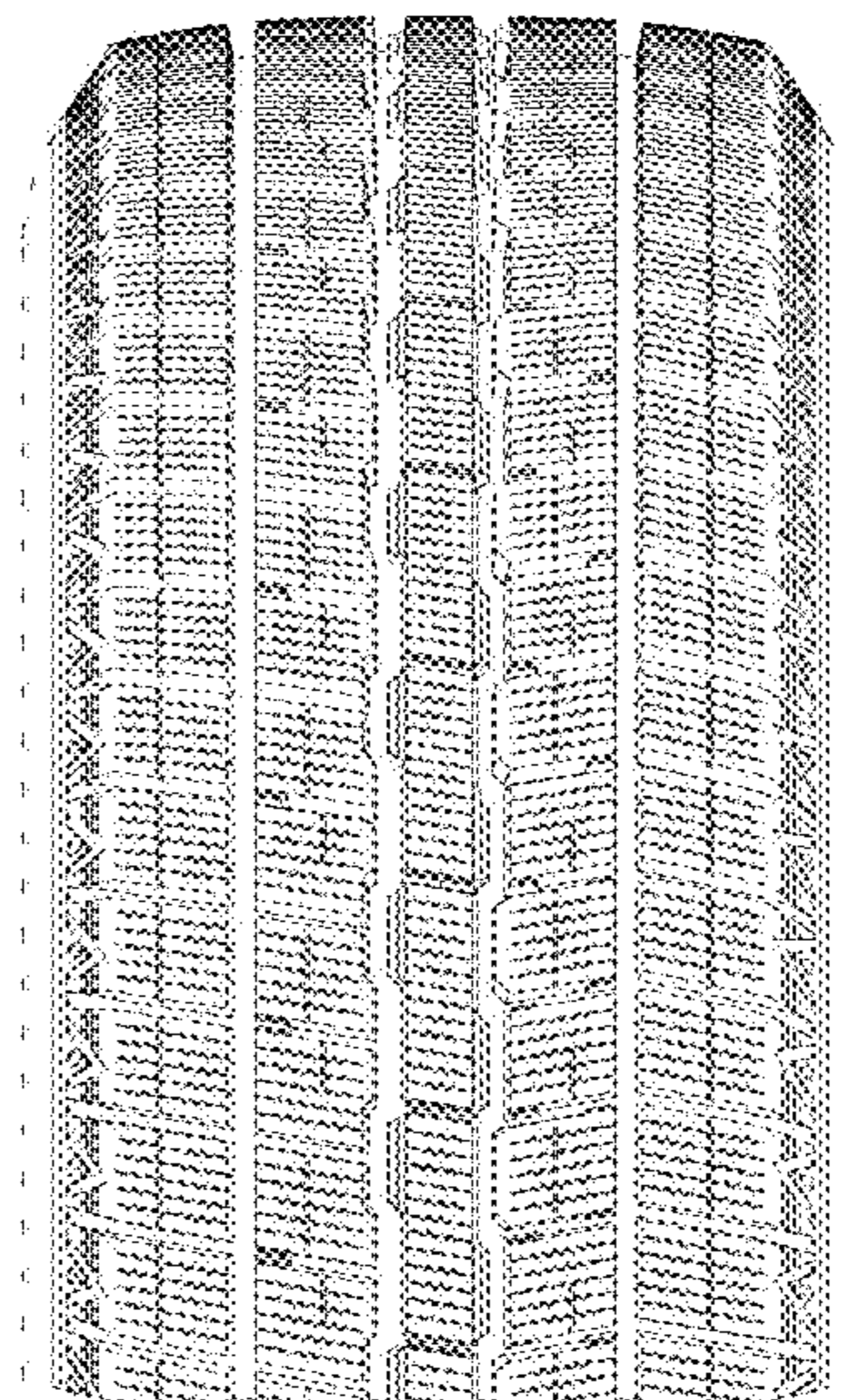
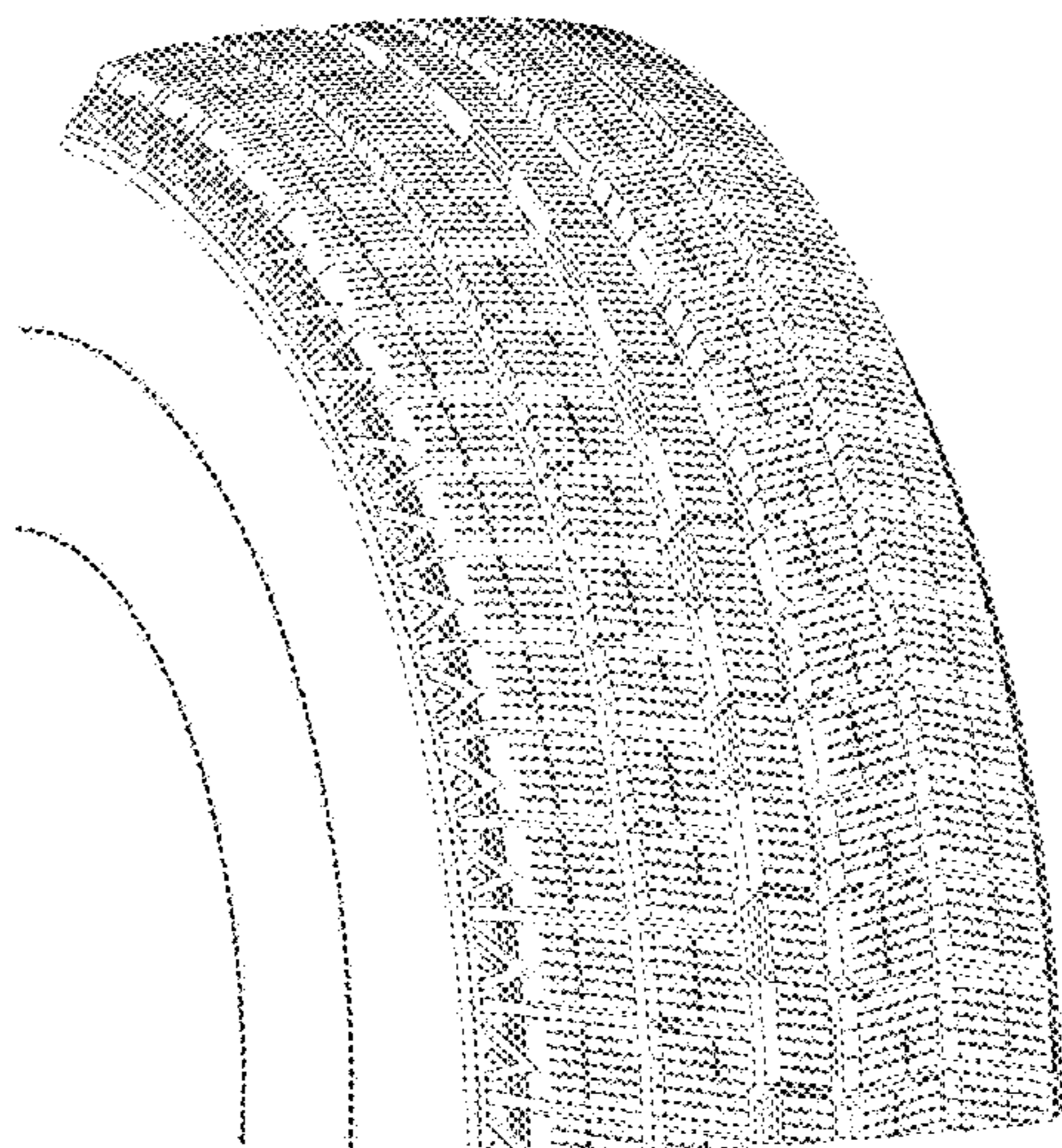
FIG. 2 is a side view thereof;

FIG. 3 is a front partial view thereof; and,

FIG. 4 is an enlarged front view of the tire tread.

The inner and outer sides of the tire are the same, i.e., the tire tread is symmetrical. The broken line showings of the sidewall, inner bead, shoulder tread, and the peripheral boundary between the tire tread and the sidewall is included for the purpose of illustrating environment and forms no part of the claim.

**1 Claim, 4 Drawing Sheets**



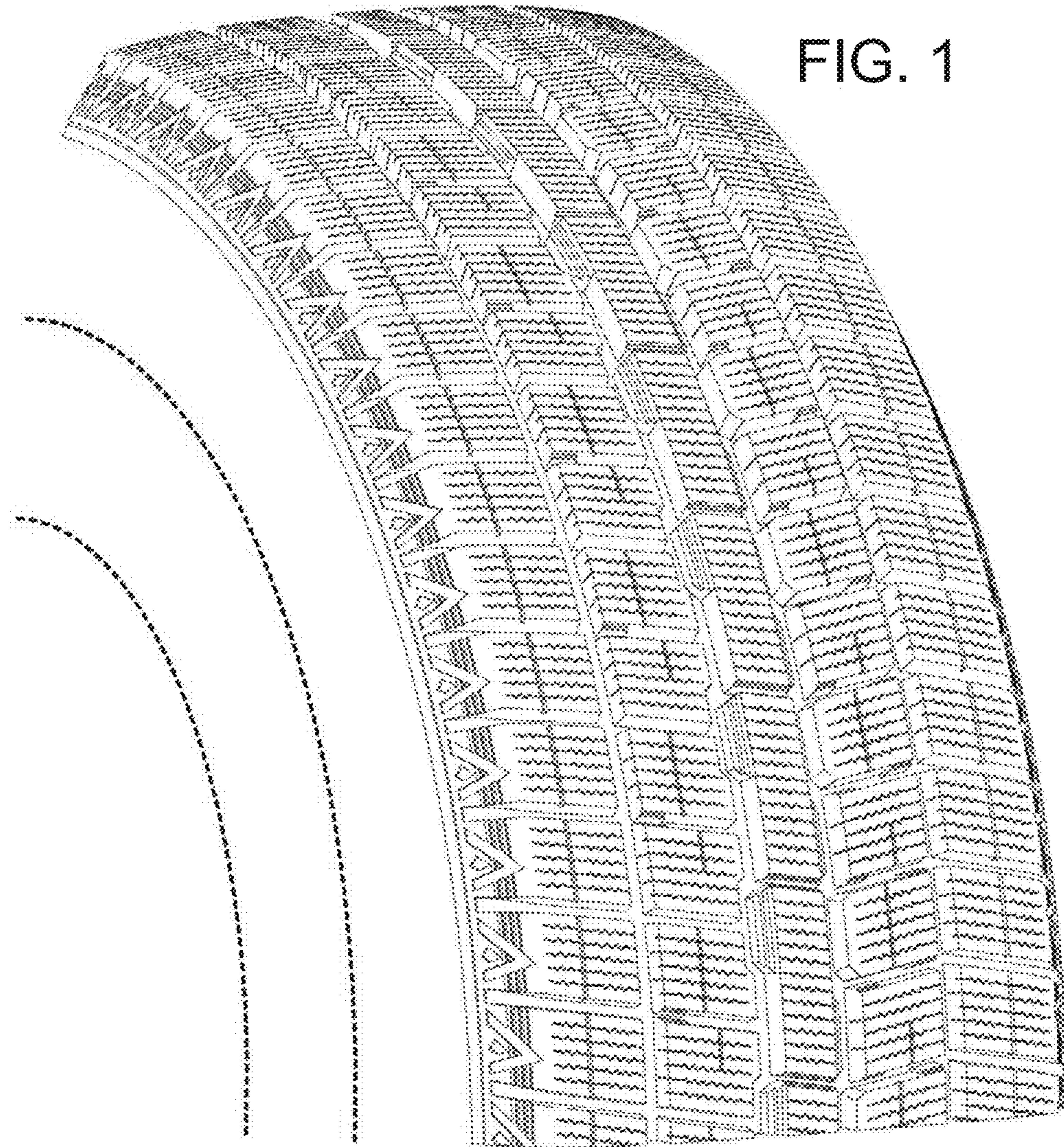


FIG. 1

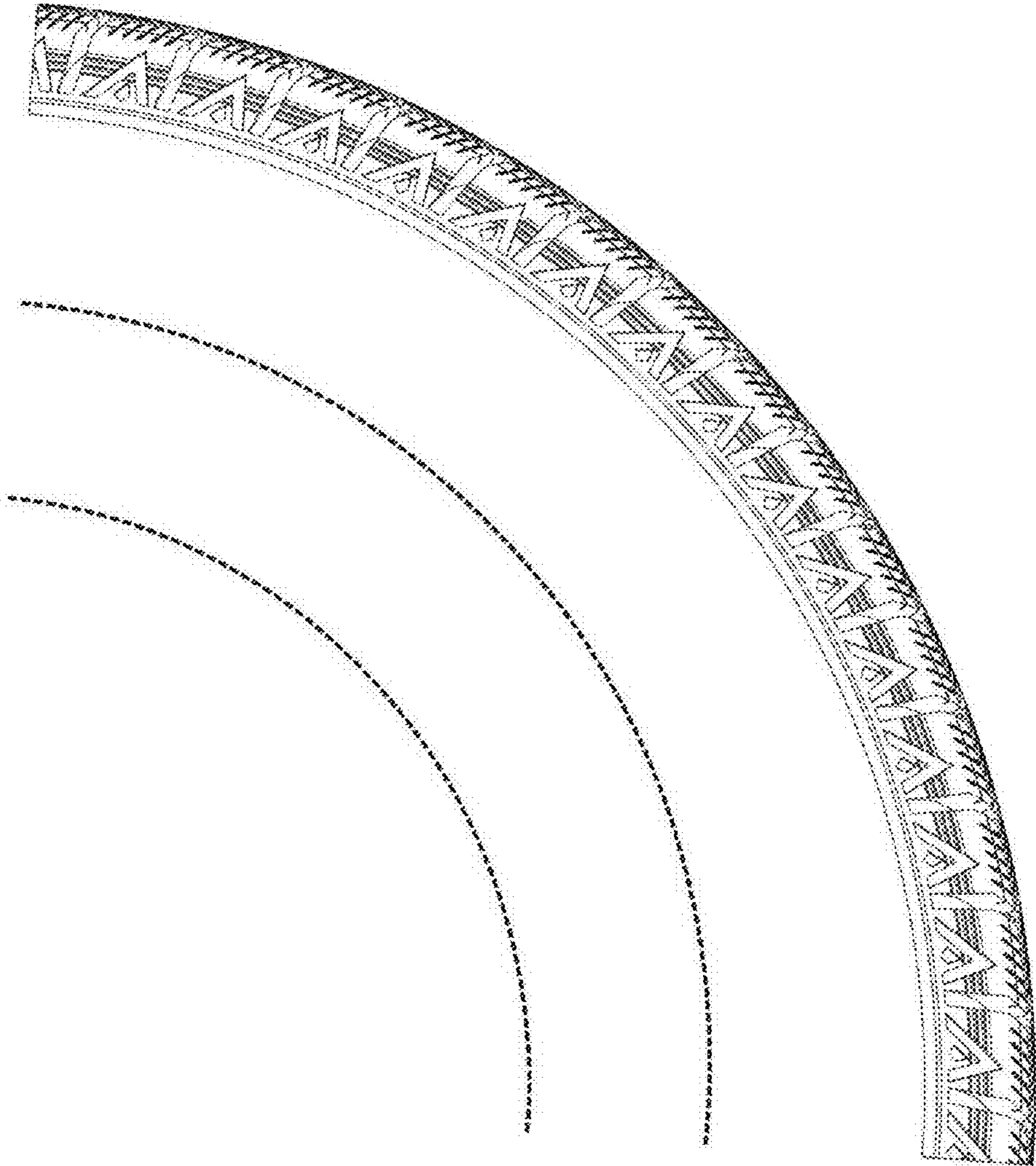


FIG. 2

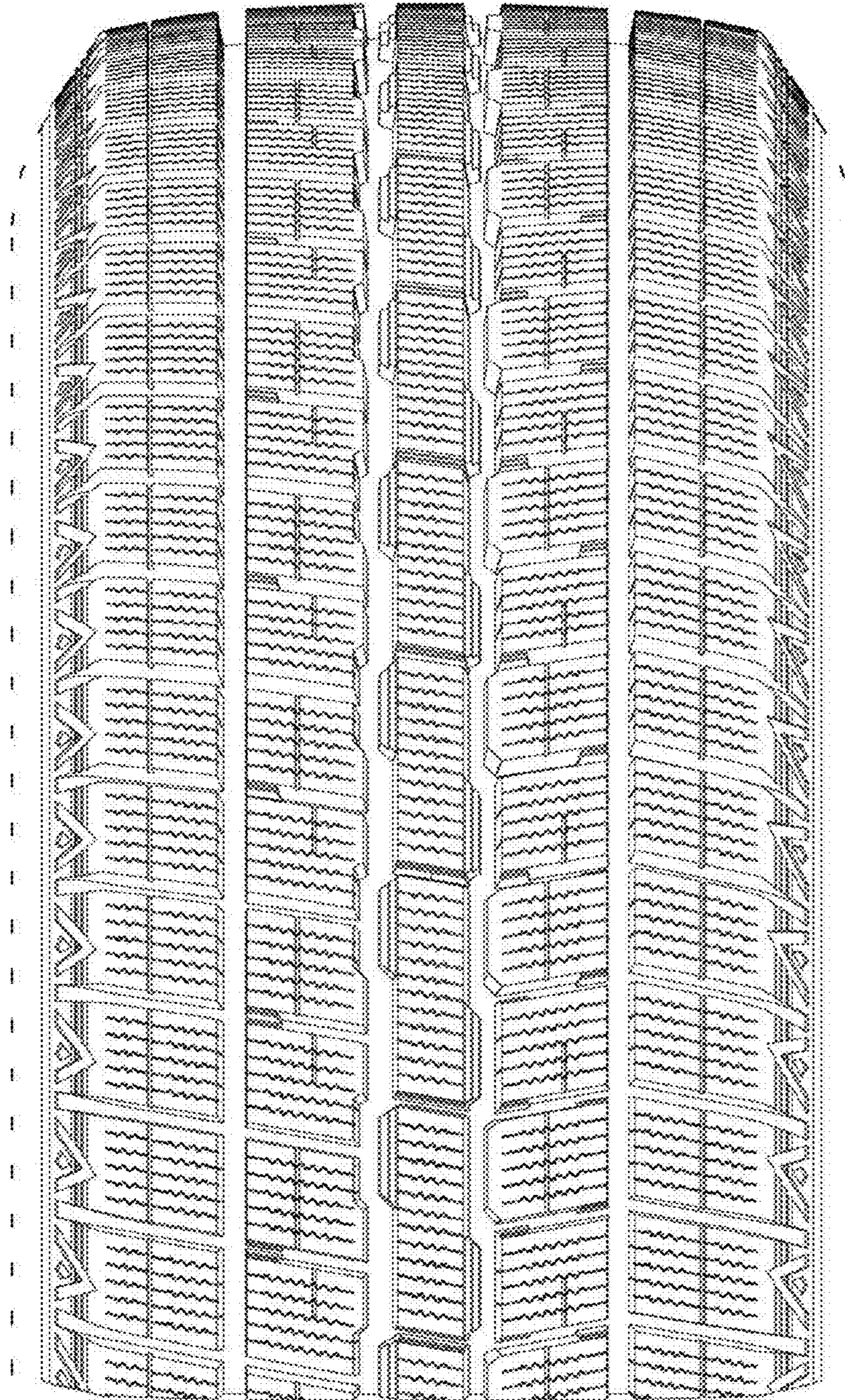


FIG. 3

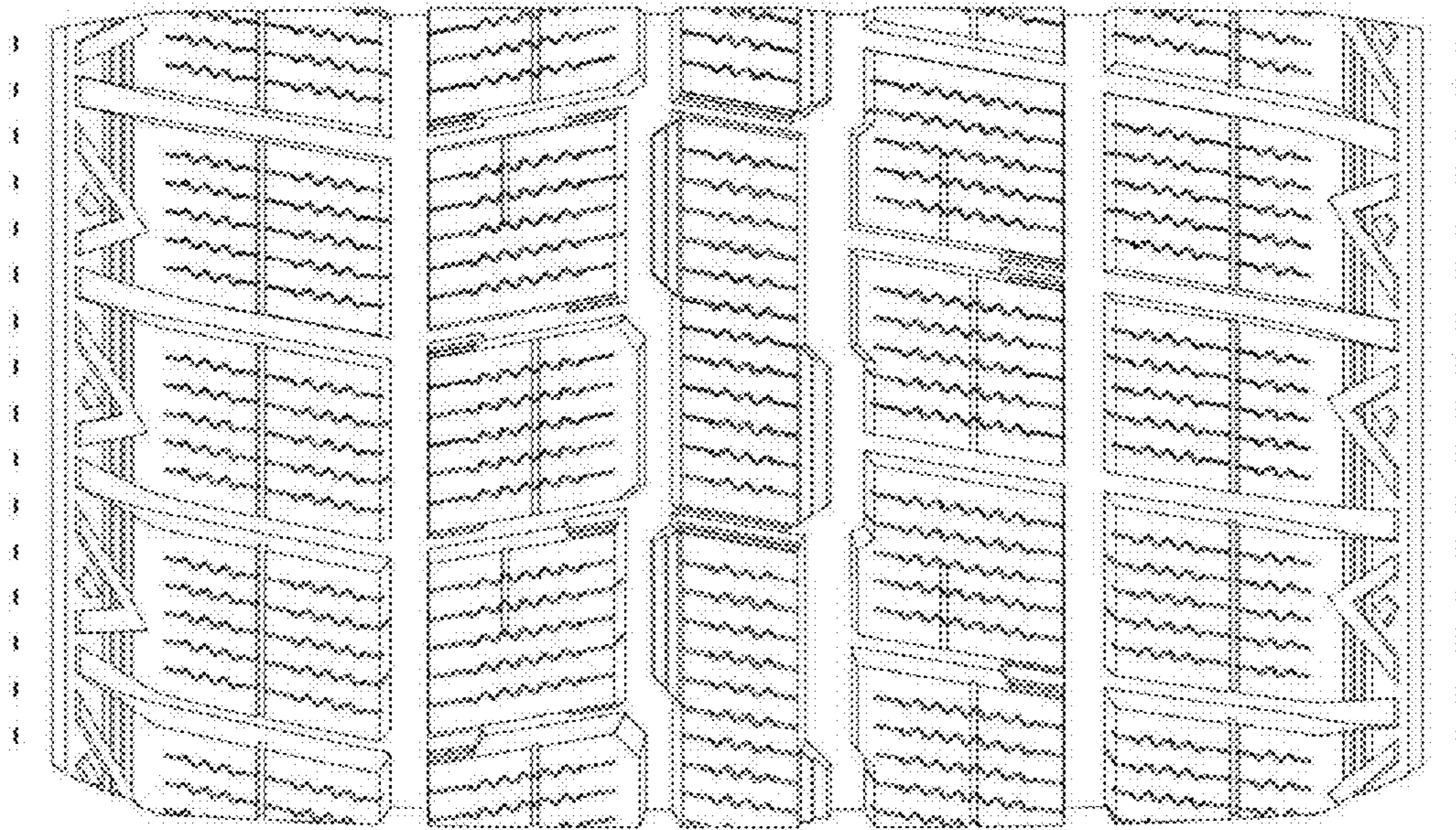


FIG. 4